
SECTION INDEX

GENERAL & PICTORIAL INDEX

00.000.00		MAIN PICTORIAL INDEX - COMPLETE UNIT
00.000.05	01	PICTORIAL INDEX - MACHINE COMPLETION AND EQUIPMENT
00.000.27	01	PICTORIAL INDEX - REAR AXLE SYSTEM
00.000.31	01	PICTORIAL INDEX - IMPLEMENT POWER TAKE-OFF
00.000.33	01	PICTORIAL INDEX - BRAKES AND CONTROLS
00.000.35	01	PICTORIAL INDEX - HYDRAULIC SYSTEMS
00.000.35	02	PICTORIAL INDEX - HYDRAULIC SYSTEMS
00.000.39	01	PICTORIAL INDEX - FRAMES AND BALLASTING
00.000.44	01	PICTORIAL INDEX - WHEELS
00.000.55	01	PICTORIAL INDEX - ELECTRICAL SYSTEMS
00.000.60	01	PICTORIAL INDEX - PRODUCT FEEDING
00.000.62	01	PICTORIAL INDEX - PRESSING - BALE FORMATION
00.000.68	01	PICTORIAL INDEX - TYING/WRAPPING/TWISTING
00.000.68	02	PICTORIAL INDEX - TYING/WRAPPING/TWISTING
00.000.70	01	PICTORIAL INDEX - EJECTION
00.000.71	01	PICTORIAL INDEX - LUBRICATION SYSTEM
00.000.88	01	PICTORIAL INDEX - ACCESSORIES
00.000.90	01	PICTORIAL INDEX - PLATFORM, CAB, BODYWORK AND DECALS
00.100.02	01	IDENTIFICATION PLATES
00.100.05		SERVICE PARTS CATALOGUE AND BINDER

DELELISTE

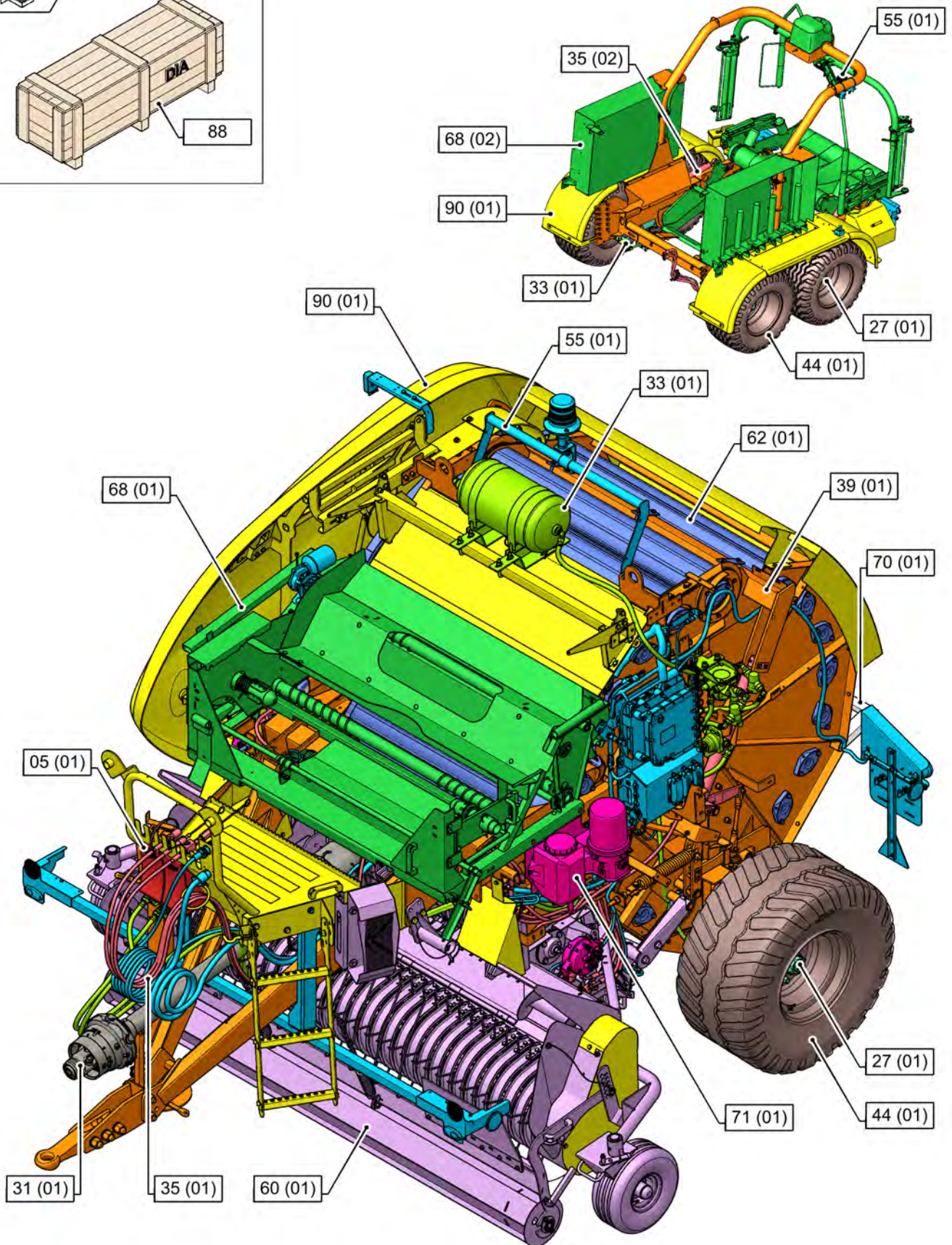
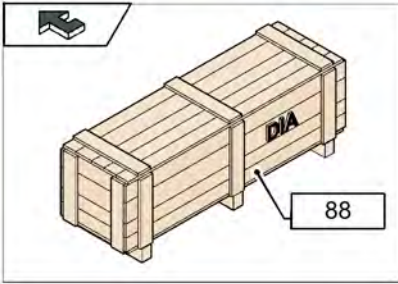
SPARE PARTS CATALOGUE

GPI270 Kombi/ GPI270S

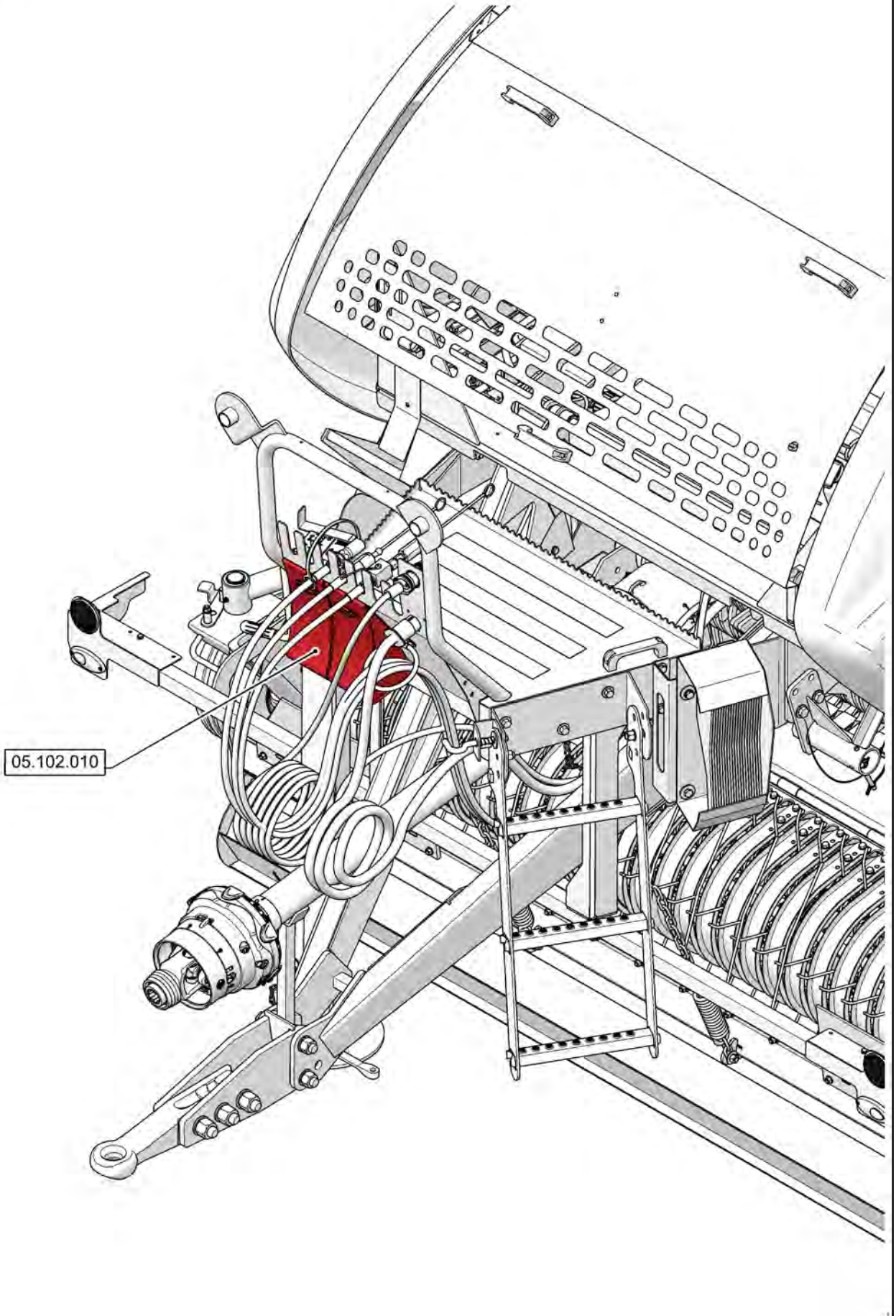


Print No. 48120488
Edition 04 - 2017 NO/EN

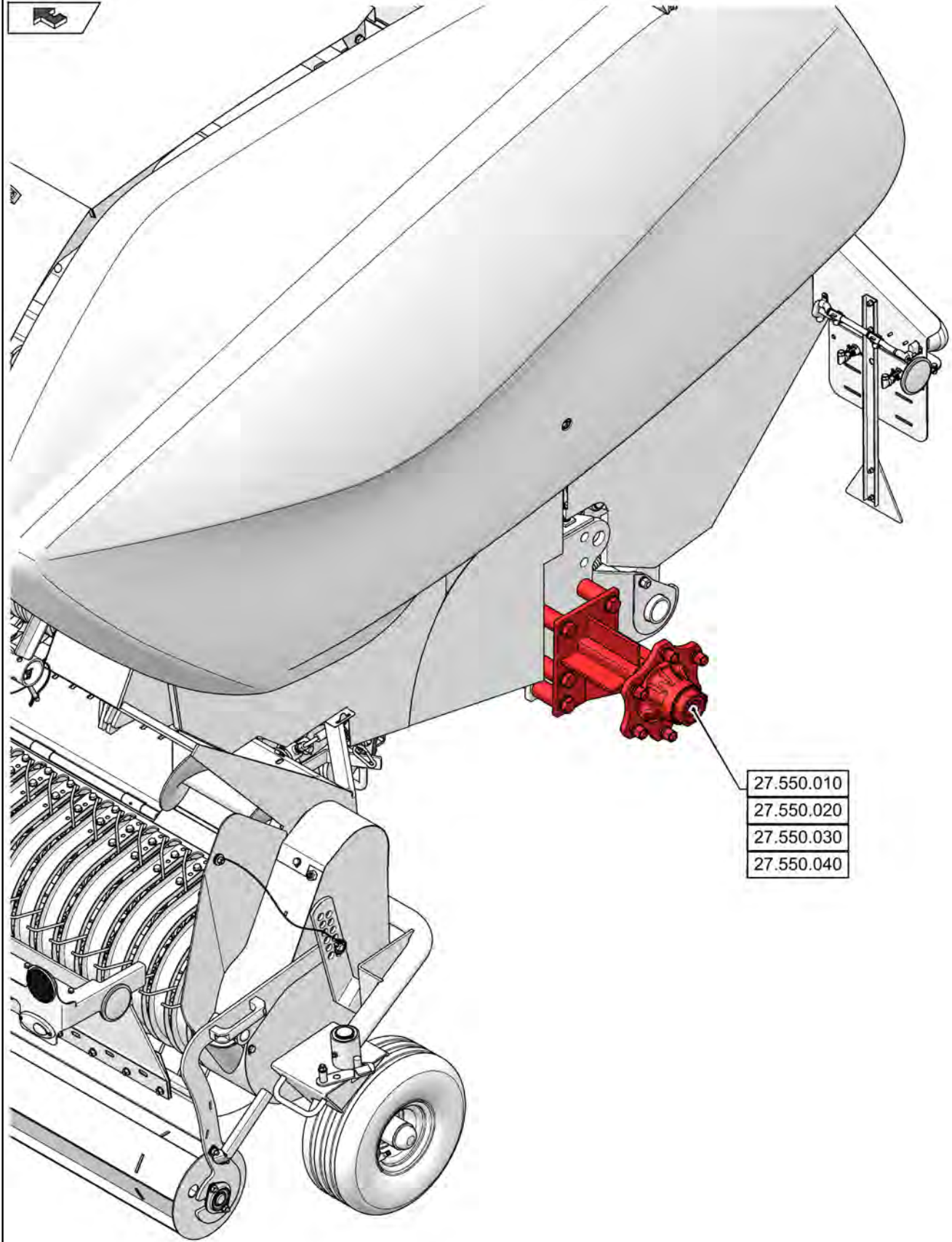
MAIN PICTORIAL INDEX - COMPLETE UNIT



PICTORIAL INDEX - MACHINE COMPLETION AND EQUIPMENT



PICTORIAL INDEX - REAR AXLE SYSTEM



- 27.550.010
- 27.550.020
- 27.550.030
- 27.550.040

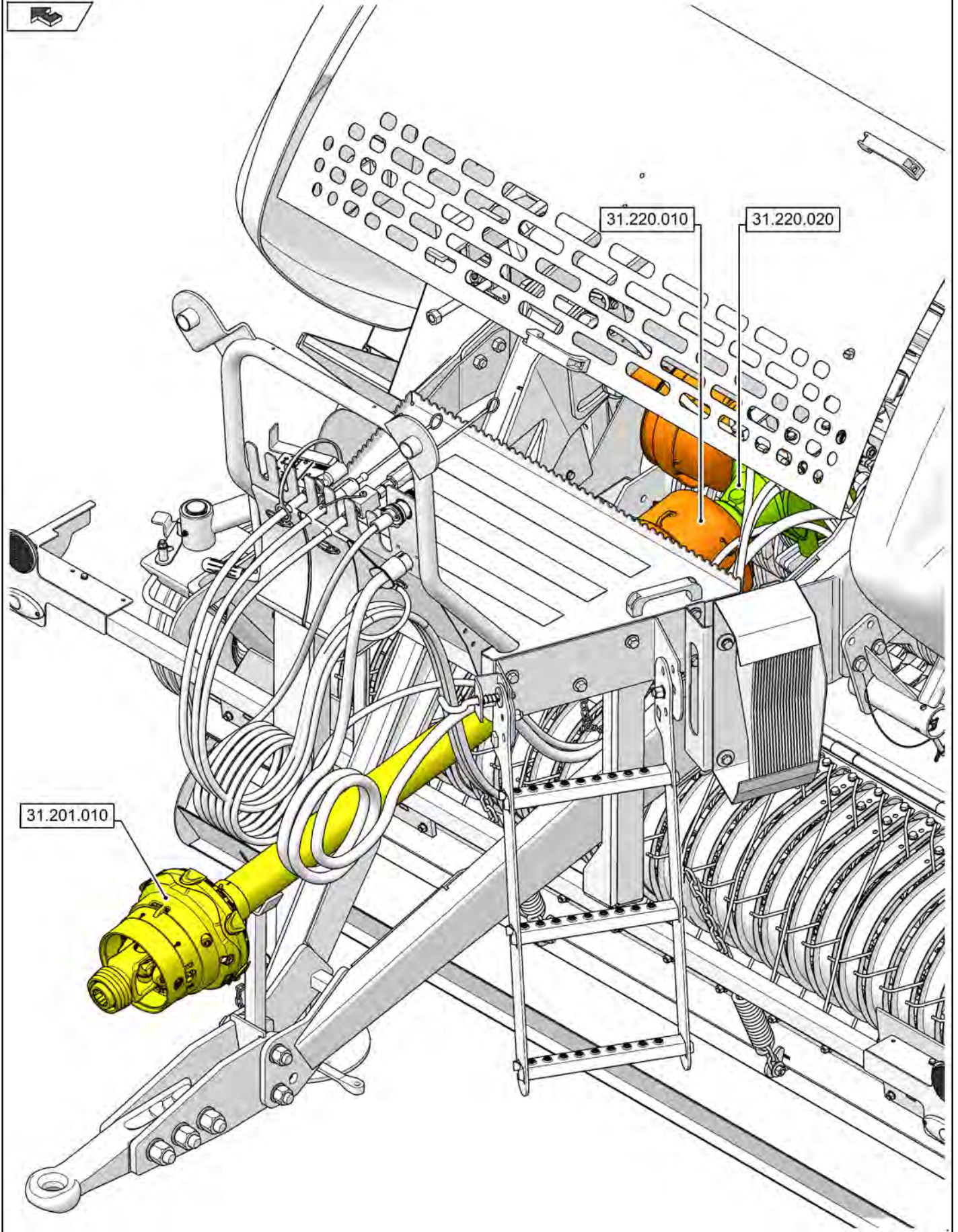
00.000.31

01

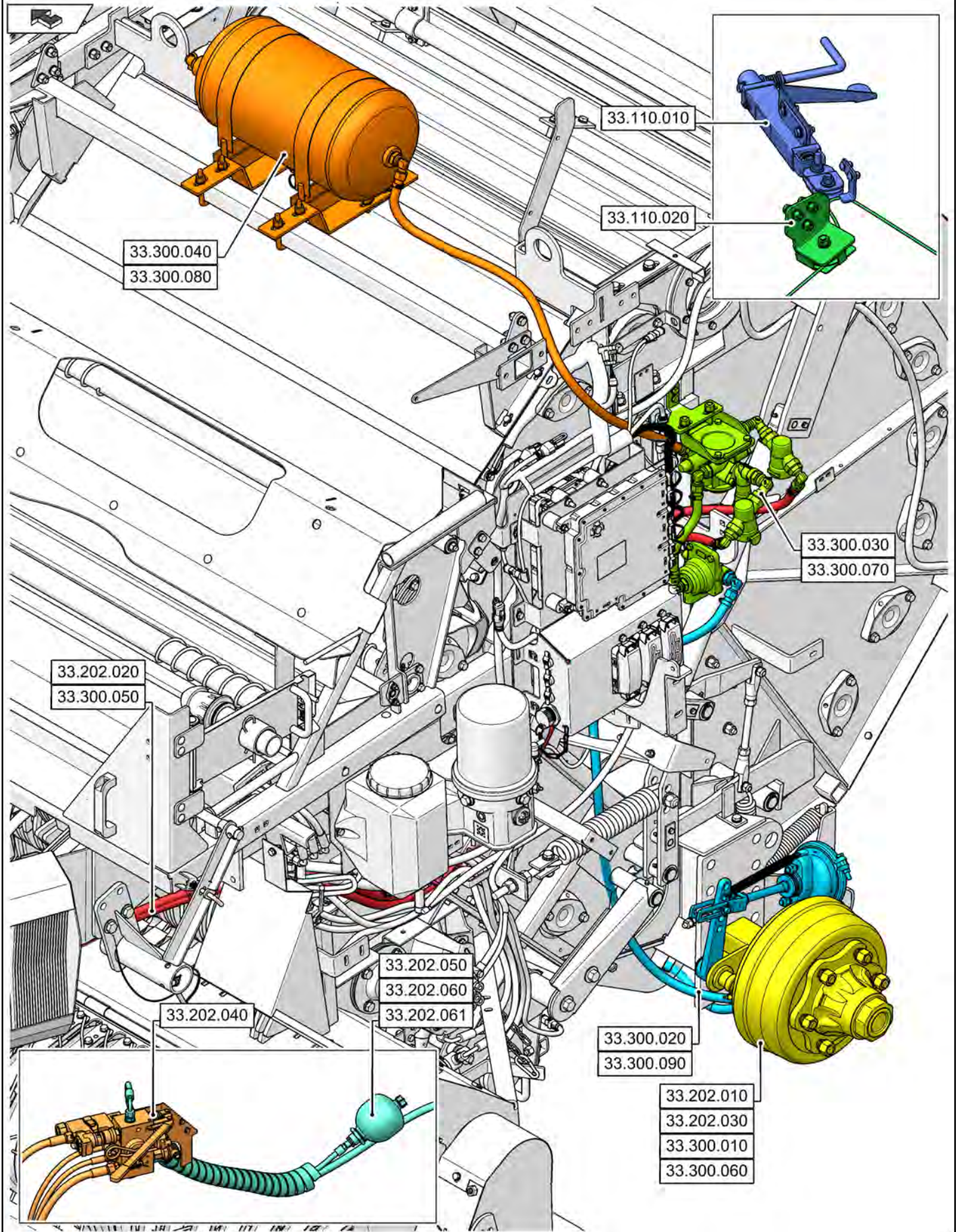
p1

4/2017

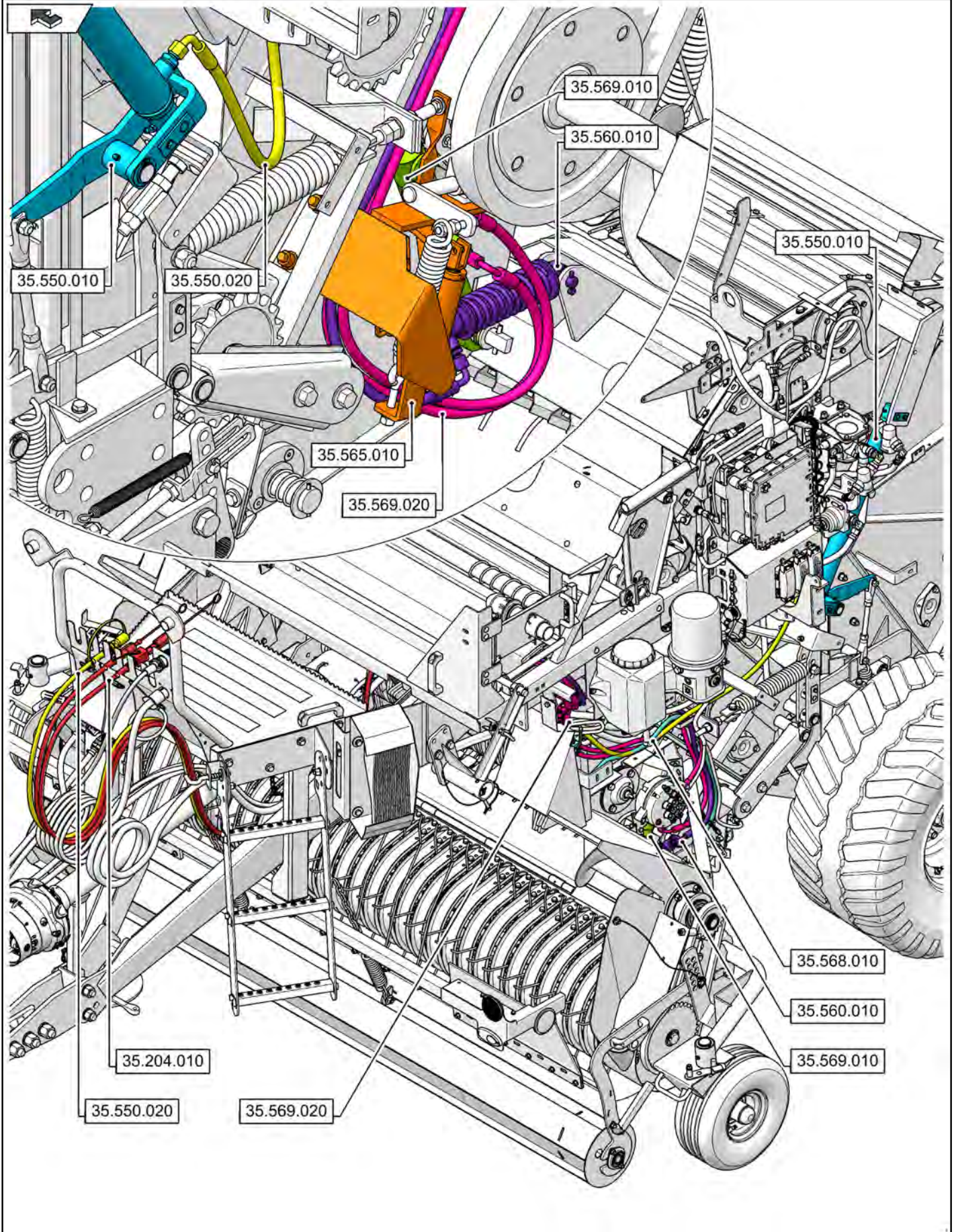
PICTORIAL INDEX - IMPLEMENT POWER TAKE-OFF



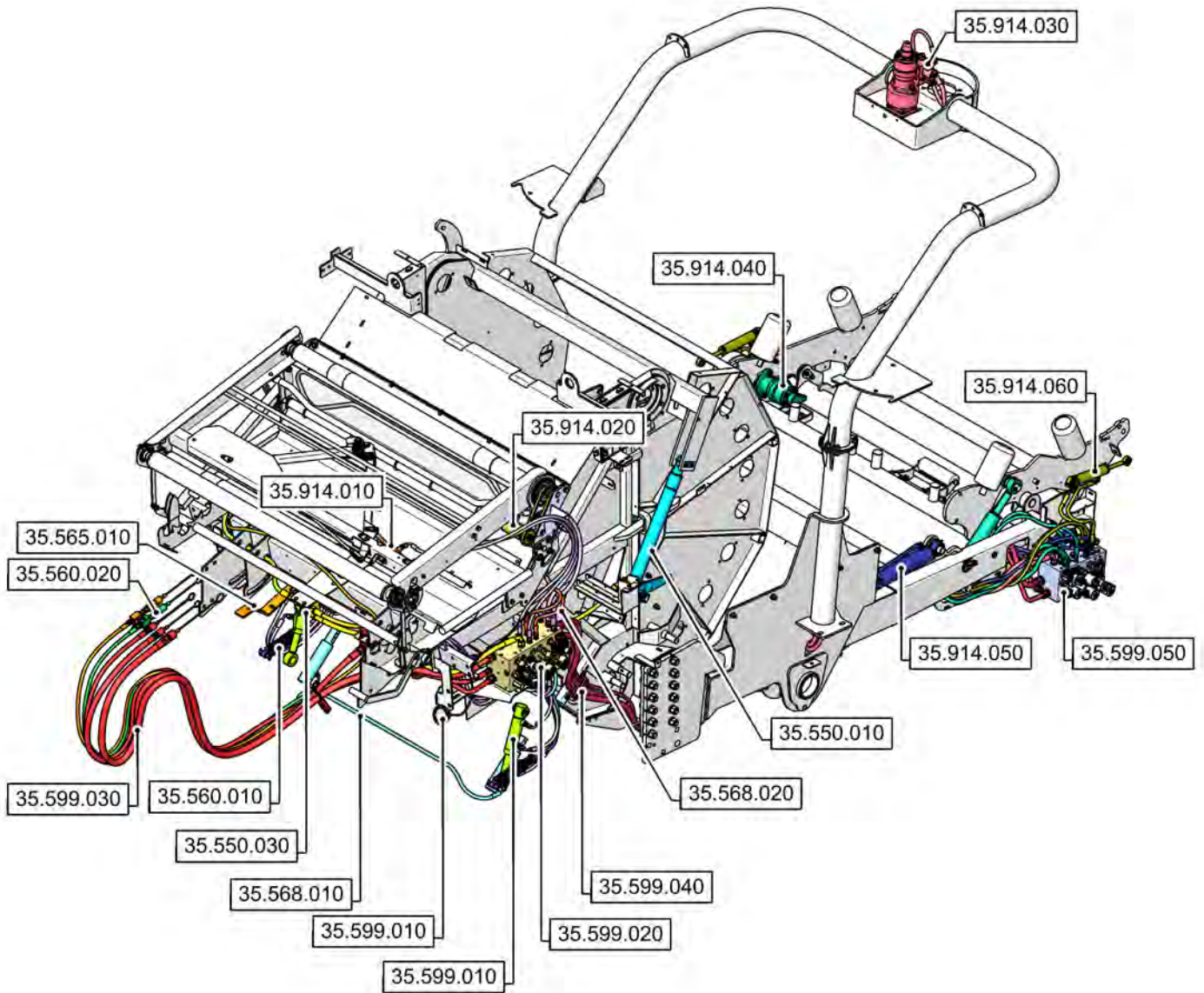
PICTORIAL INDEX - BRAKES AND CONTROLS



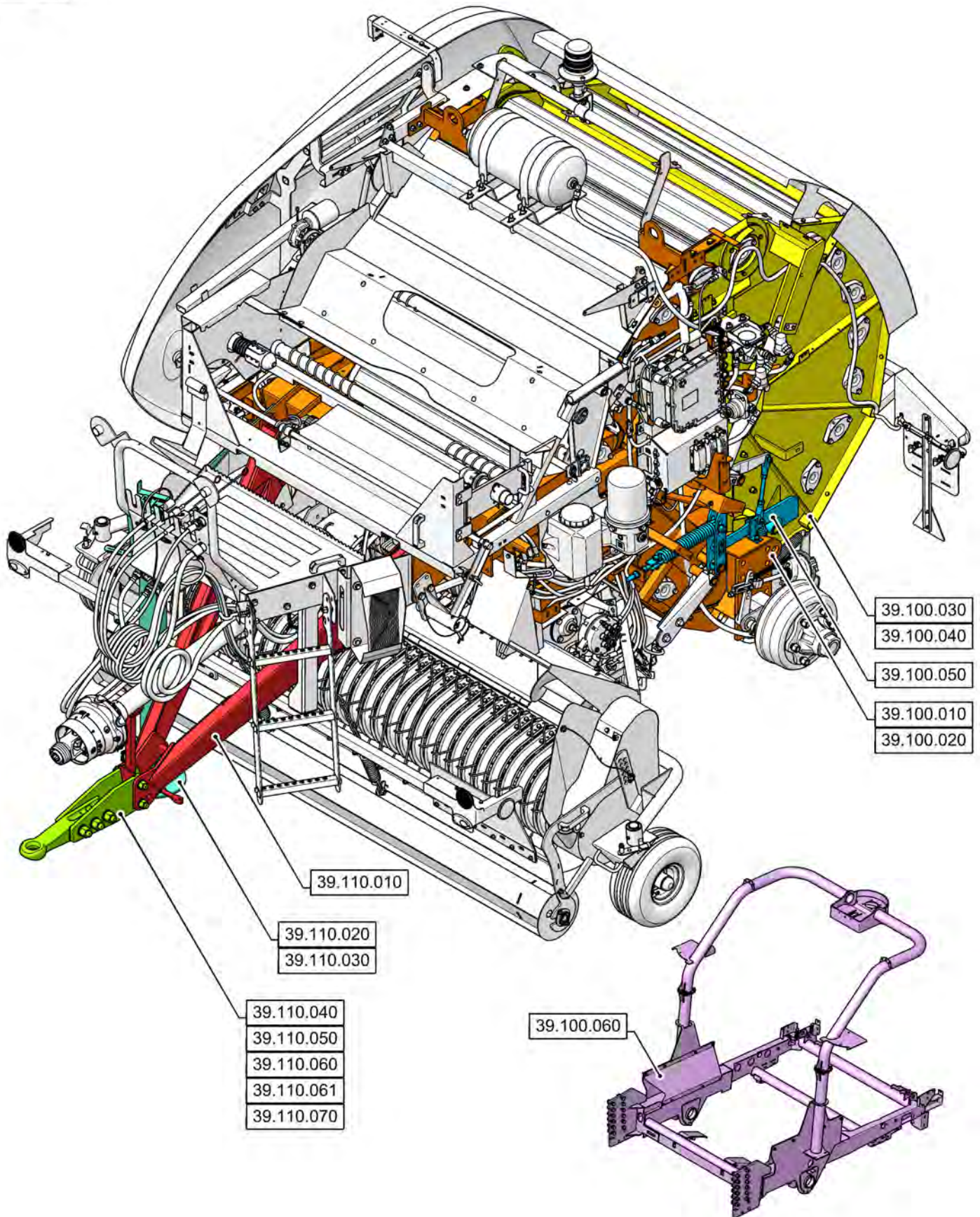
PICTORIAL INDEX - HYDRAULIC SYSTEMS



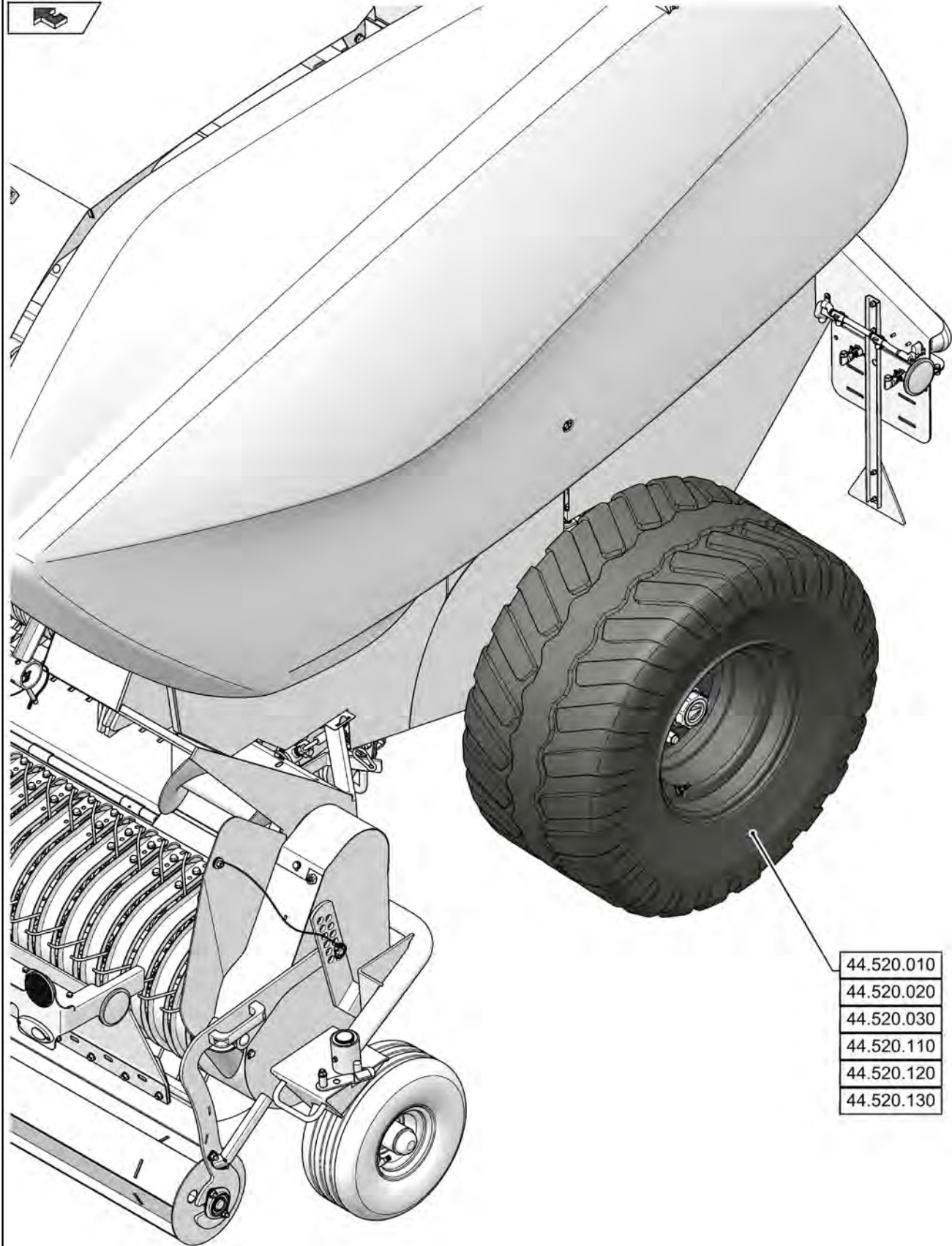
PICTORIAL INDEX - HYDRAULIC SYSTEMS



PICTORIAL INDEX - FRAMES AND BALLASTING

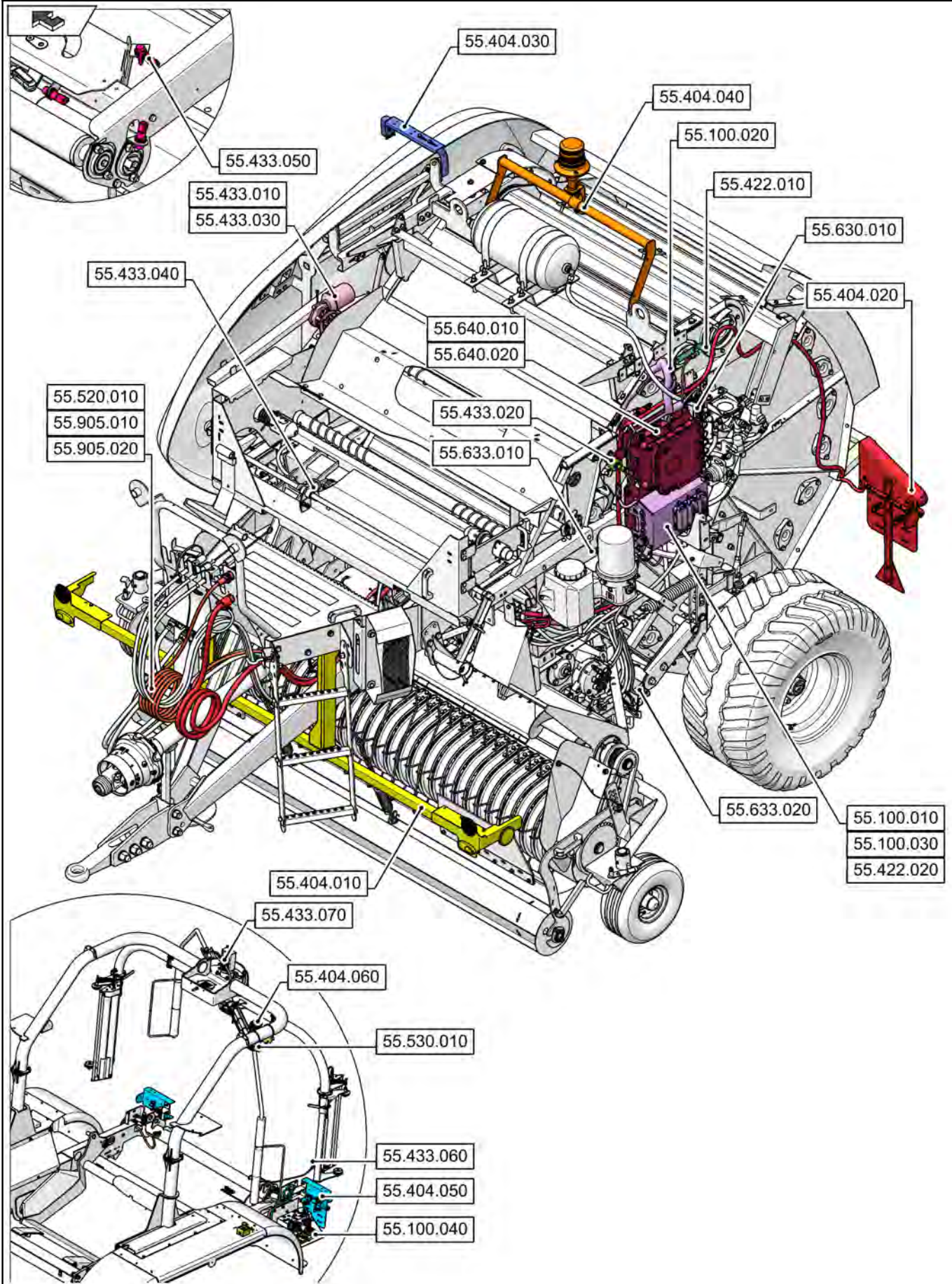


PICTORIAL INDEX - WHEELS

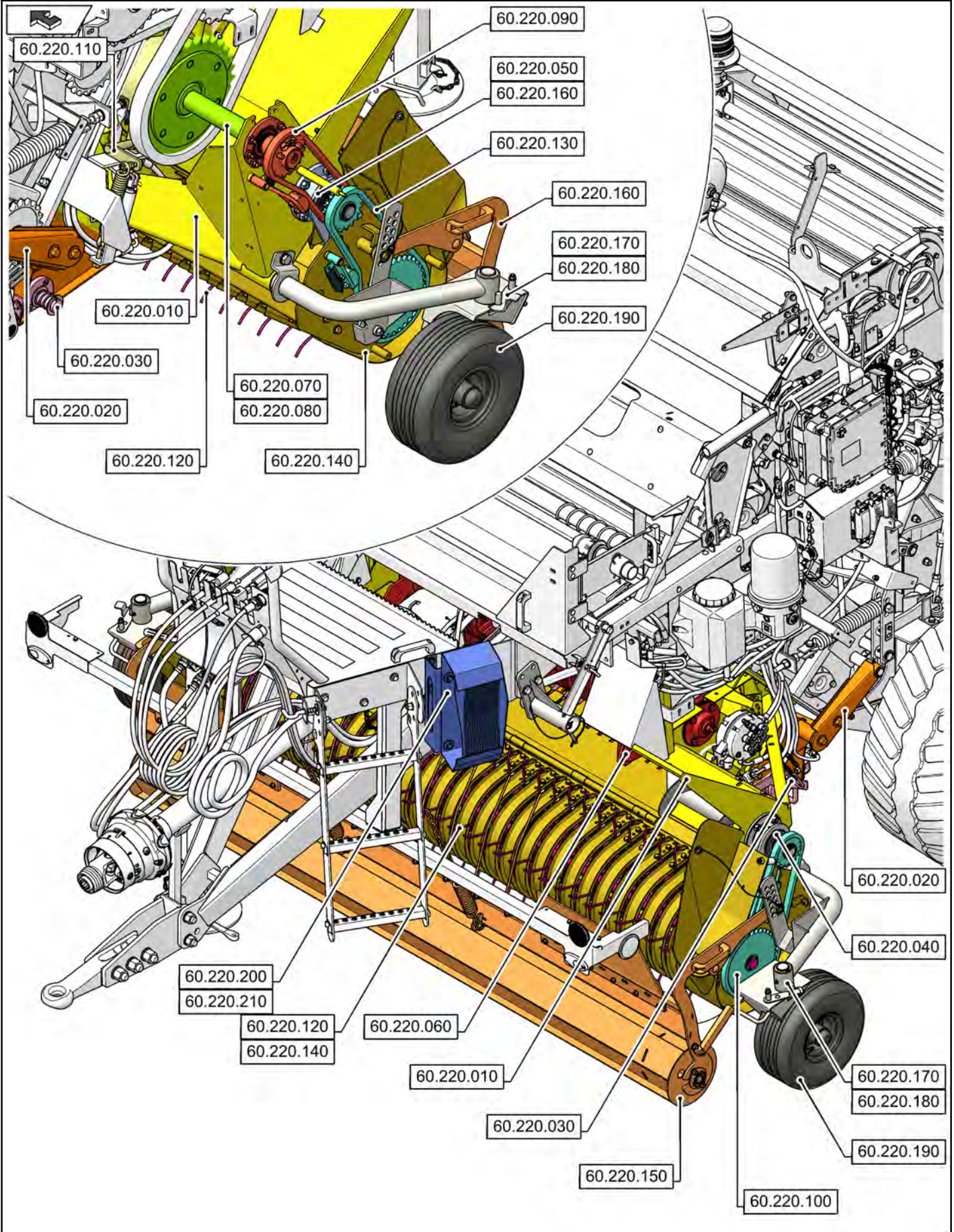


- 44.520.010
- 44.520.020
- 44.520.030
- 44.520.110
- 44.520.120
- 44.520.130

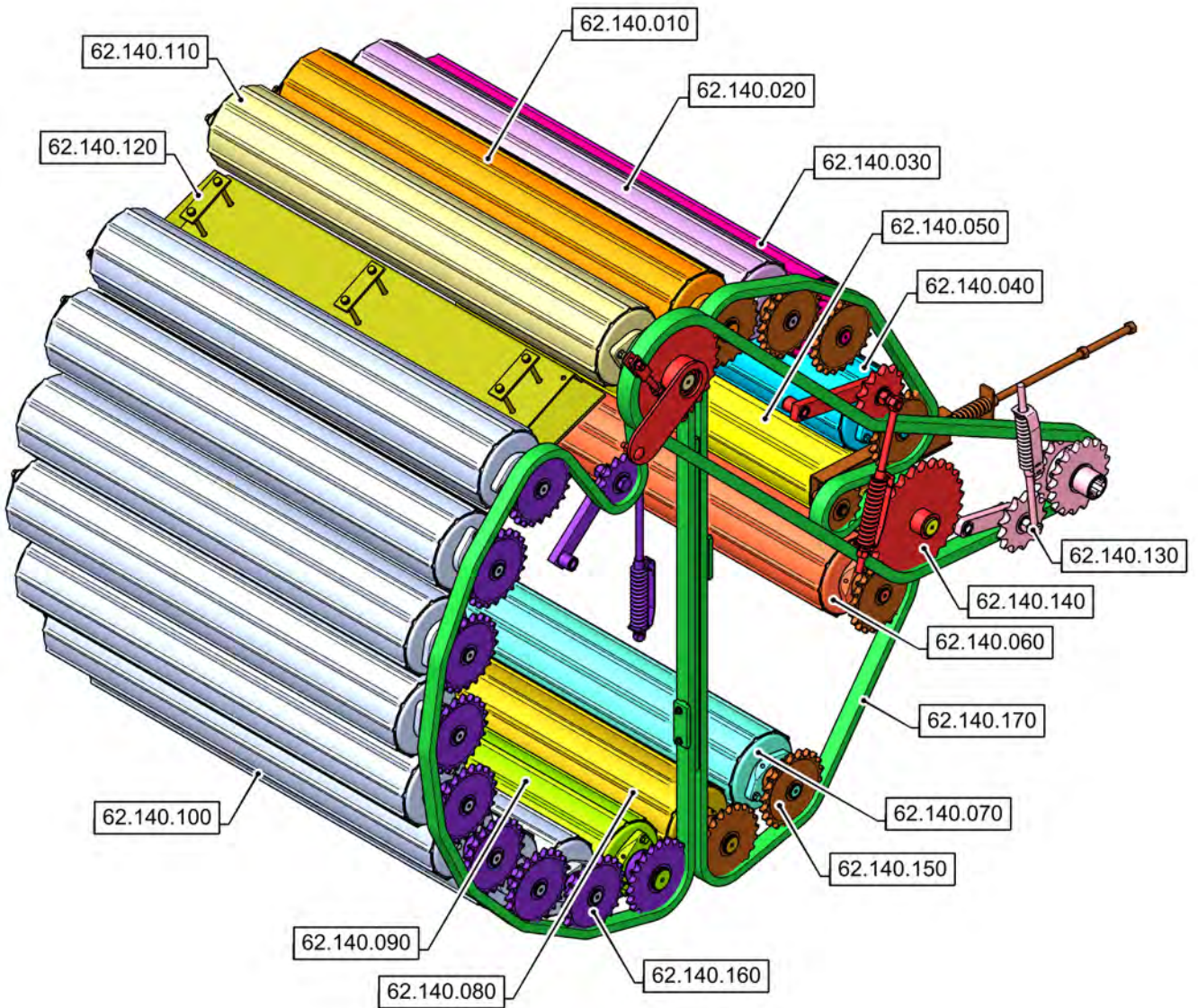
PICTORIAL INDEX - ELECTRICAL SYSTEMS



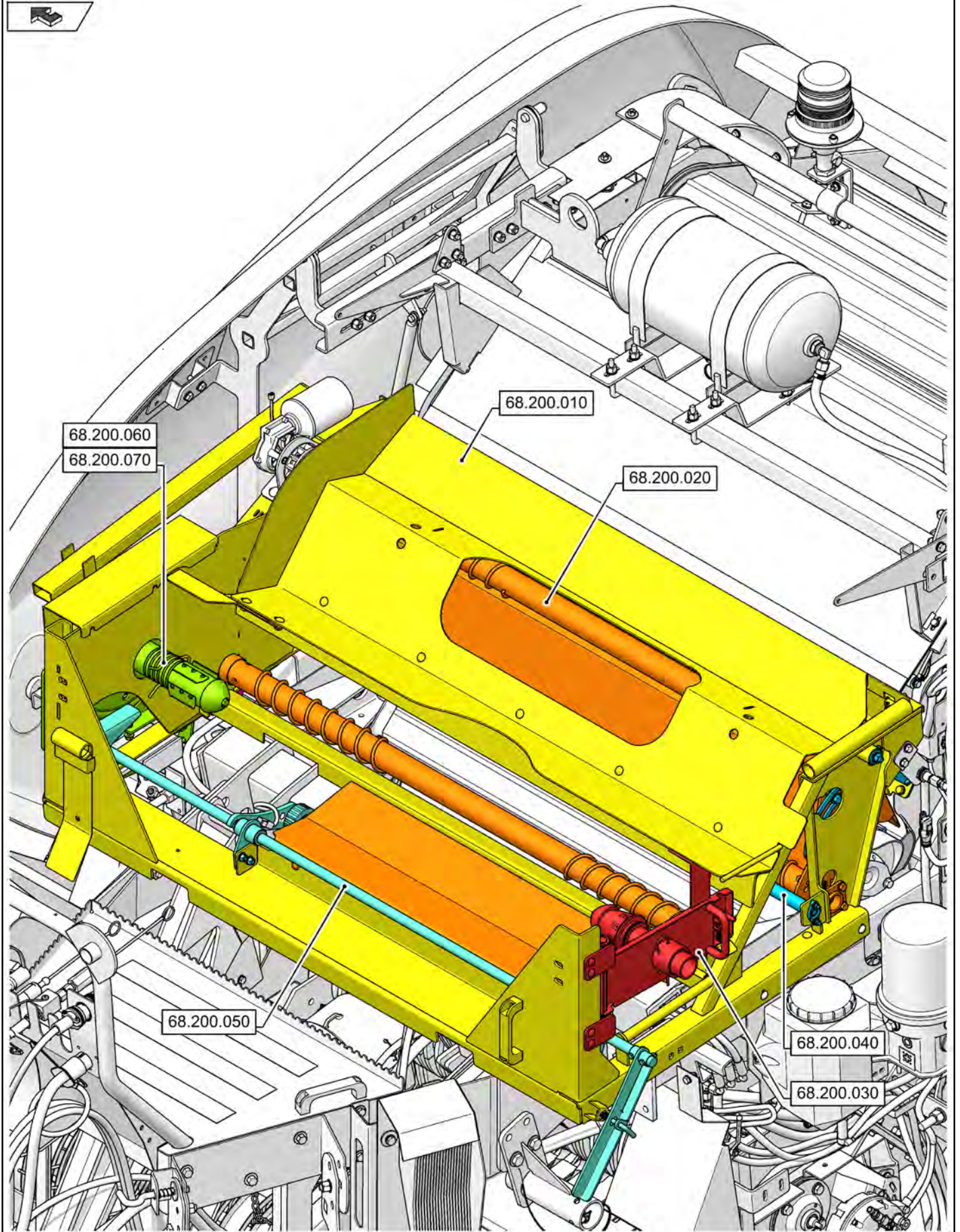
PICTORIAL INDEX - PRODUCT FEEDING



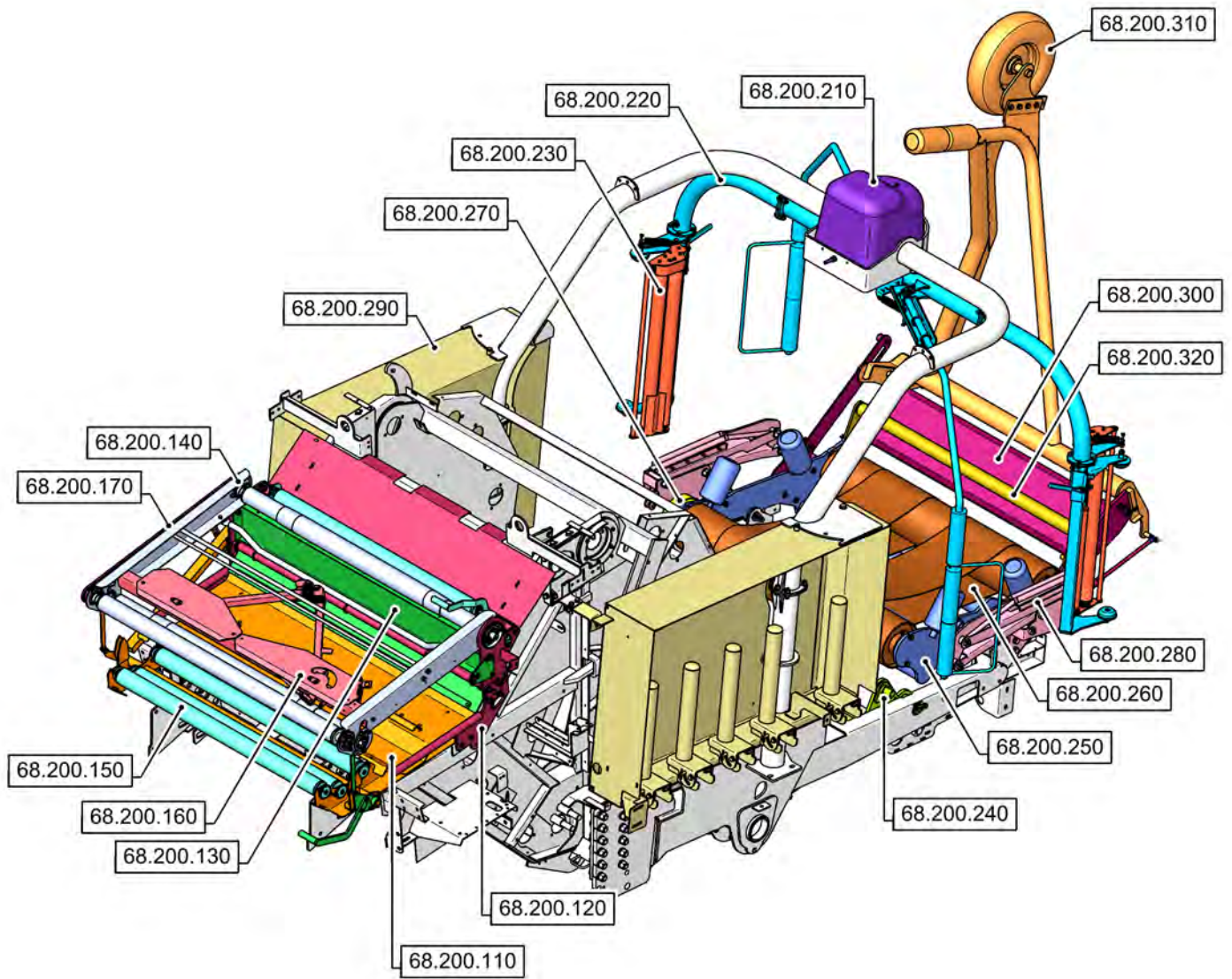
PICTORIAL INDEX - PRESSING - BALE FORMATION



PICTORIAL INDEX - TYING/WRAPPING/TWISTING



PICTORIAL INDEX - TYING/WRAPPING/TWISTING



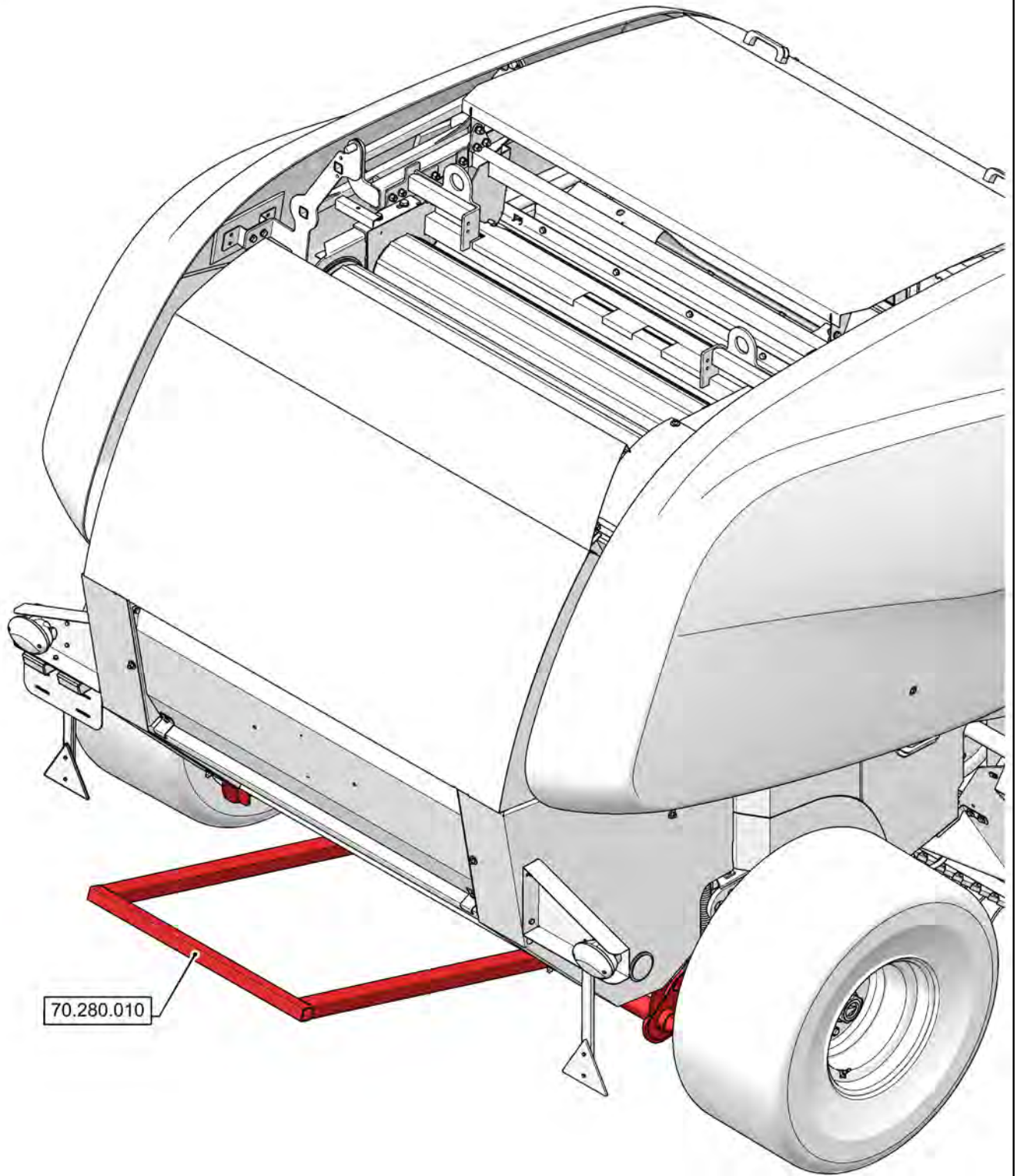
00.000.70

01

p1

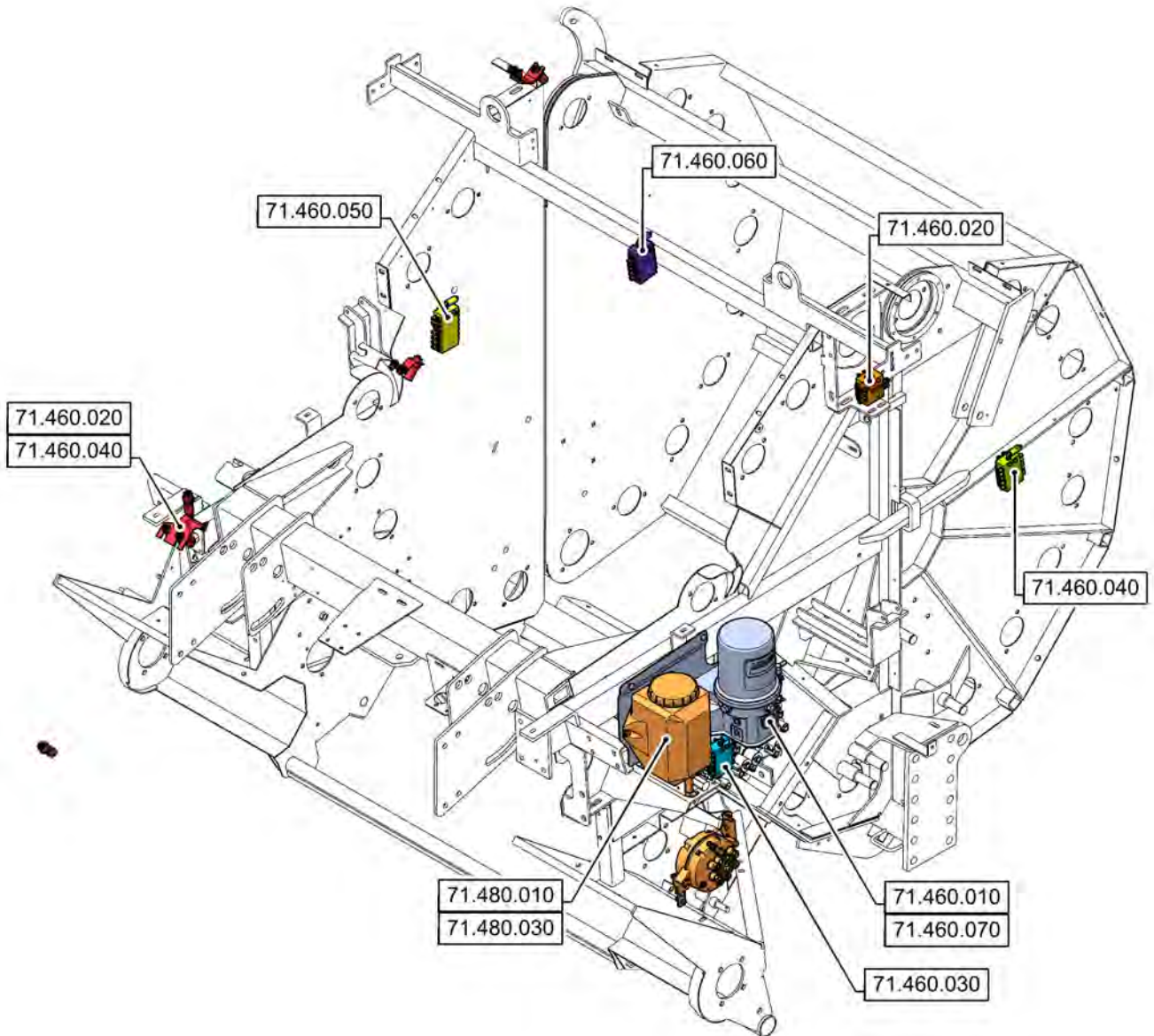
4/2017

PICTORIAL INDEX - EJECTION



70.280.010

PICTORIAL INDEX - LUBRICATION SYSTEM



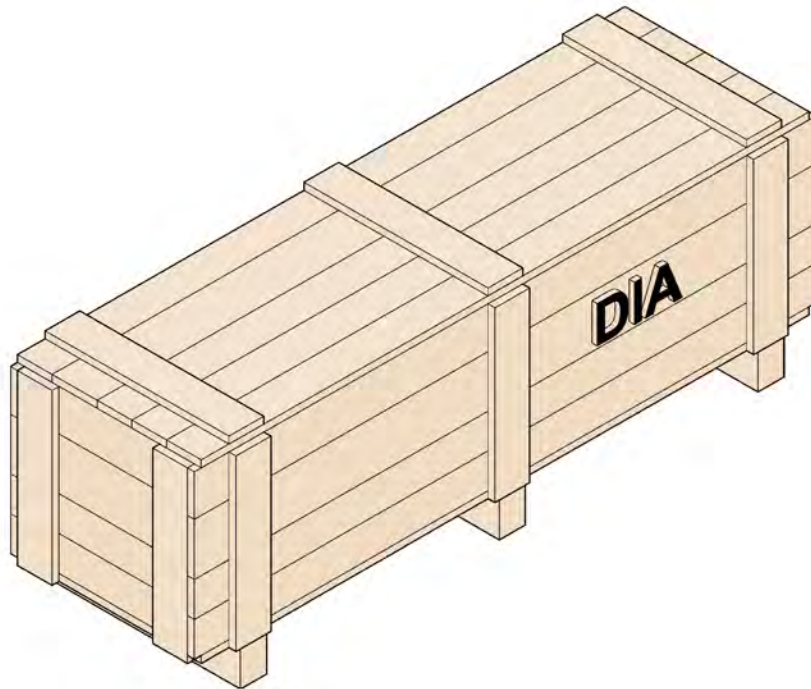
00.000.88

01

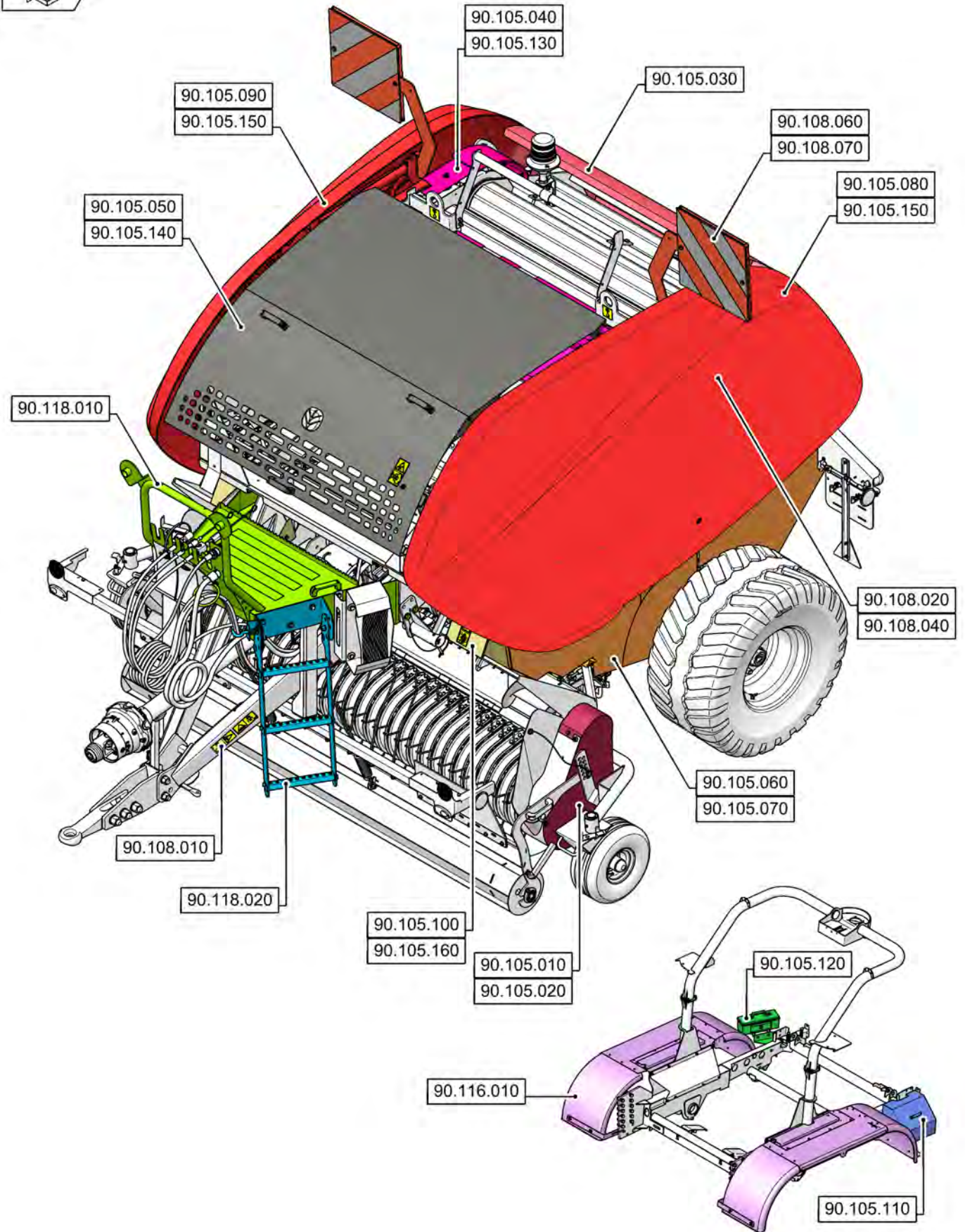
p1

4/2017

PICTORIAL INDEX - ACCESSORIES



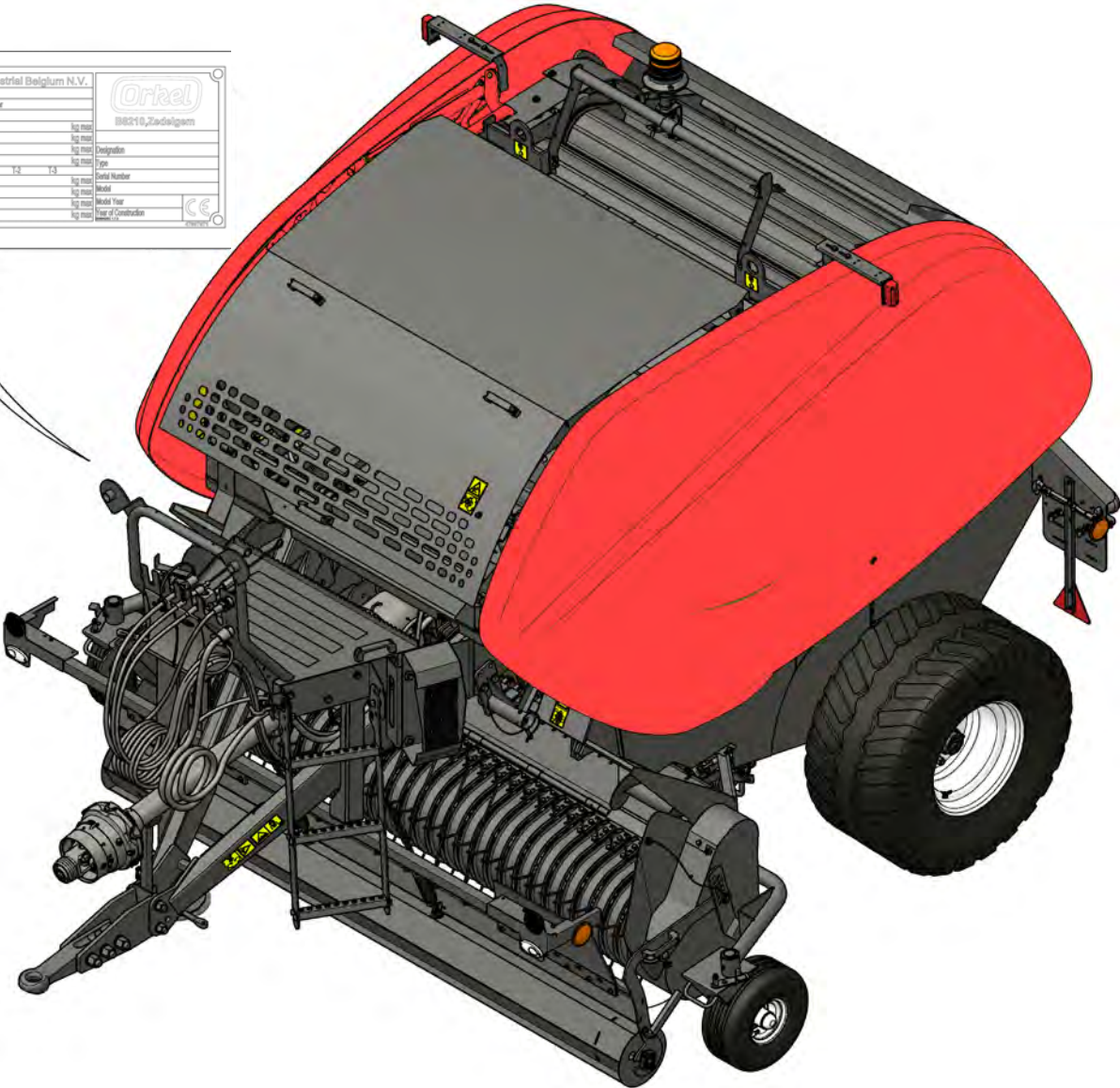
PICTORIAL INDEX - PLATFORM, CAB, BODYWORK AND DECALS



IDENTIFICATION PLATES



CHH Industrial Belgium N.V.		
Category		
EU type approval number		
VIN (ISO 15929)		
Ladder name	Exp. model	08010, Zedelgsem
A.0	Exp. model	
A.1	Exp. model	
A.2	Exp. model	
A.3	Exp. model	
A.4	Exp. model	
A.5	Exp. model	
A.6	Exp. model	
A.7	Exp. model	
A.8	Exp. model	
A.9	Exp. model	
A.10	Exp. model	
A.11	Exp. model	
A.12	Exp. model	
A.13	Exp. model	
A.14	Exp. model	
A.15	Exp. model	
A.16	Exp. model	
A.17	Exp. model	
A.18	Exp. model	
A.19	Exp. model	
A.20	Exp. model	
A.21	Exp. model	
A.22	Exp. model	
A.23	Exp. model	
A.24	Exp. model	
A.25	Exp. model	
A.26	Exp. model	
A.27	Exp. model	
A.28	Exp. model	
A.29	Exp. model	
A.30	Exp. model	
A.31	Exp. model	
A.32	Exp. model	
A.33	Exp. model	
A.34	Exp. model	
A.35	Exp. model	
A.36	Exp. model	
A.37	Exp. model	
A.38	Exp. model	
A.39	Exp. model	
A.40	Exp. model	
A.41	Exp. model	
A.42	Exp. model	
A.43	Exp. model	
A.44	Exp. model	
A.45	Exp. model	
A.46	Exp. model	
A.47	Exp. model	
A.48	Exp. model	
A.49	Exp. model	
A.50	Exp. model	
A.51	Exp. model	
A.52	Exp. model	
A.53	Exp. model	
A.54	Exp. model	
A.55	Exp. model	
A.56	Exp. model	
A.57	Exp. model	
A.58	Exp. model	
A.59	Exp. model	
A.60	Exp. model	
A.61	Exp. model	
A.62	Exp. model	
A.63	Exp. model	
A.64	Exp. model	
A.65	Exp. model	
A.66	Exp. model	
A.67	Exp. model	
A.68	Exp. model	
A.69	Exp. model	
A.70	Exp. model	
A.71	Exp. model	
A.72	Exp. model	
A.73	Exp. model	
A.74	Exp. model	
A.75	Exp. model	
A.76	Exp. model	
A.77	Exp. model	
A.78	Exp. model	
A.79	Exp. model	
A.80	Exp. model	
A.81	Exp. model	
A.82	Exp. model	
A.83	Exp. model	
A.84	Exp. model	
A.85	Exp. model	
A.86	Exp. model	
A.87	Exp. model	
A.88	Exp. model	
A.89	Exp. model	
A.90	Exp. model	
A.91	Exp. model	
A.92	Exp. model	
A.93	Exp. model	
A.94	Exp. model	
A.95	Exp. model	
A.96	Exp. model	
A.97	Exp. model	
A.98	Exp. model	
A.99	Exp. model	
A.100	Exp. model	



00.100.02

01

p1

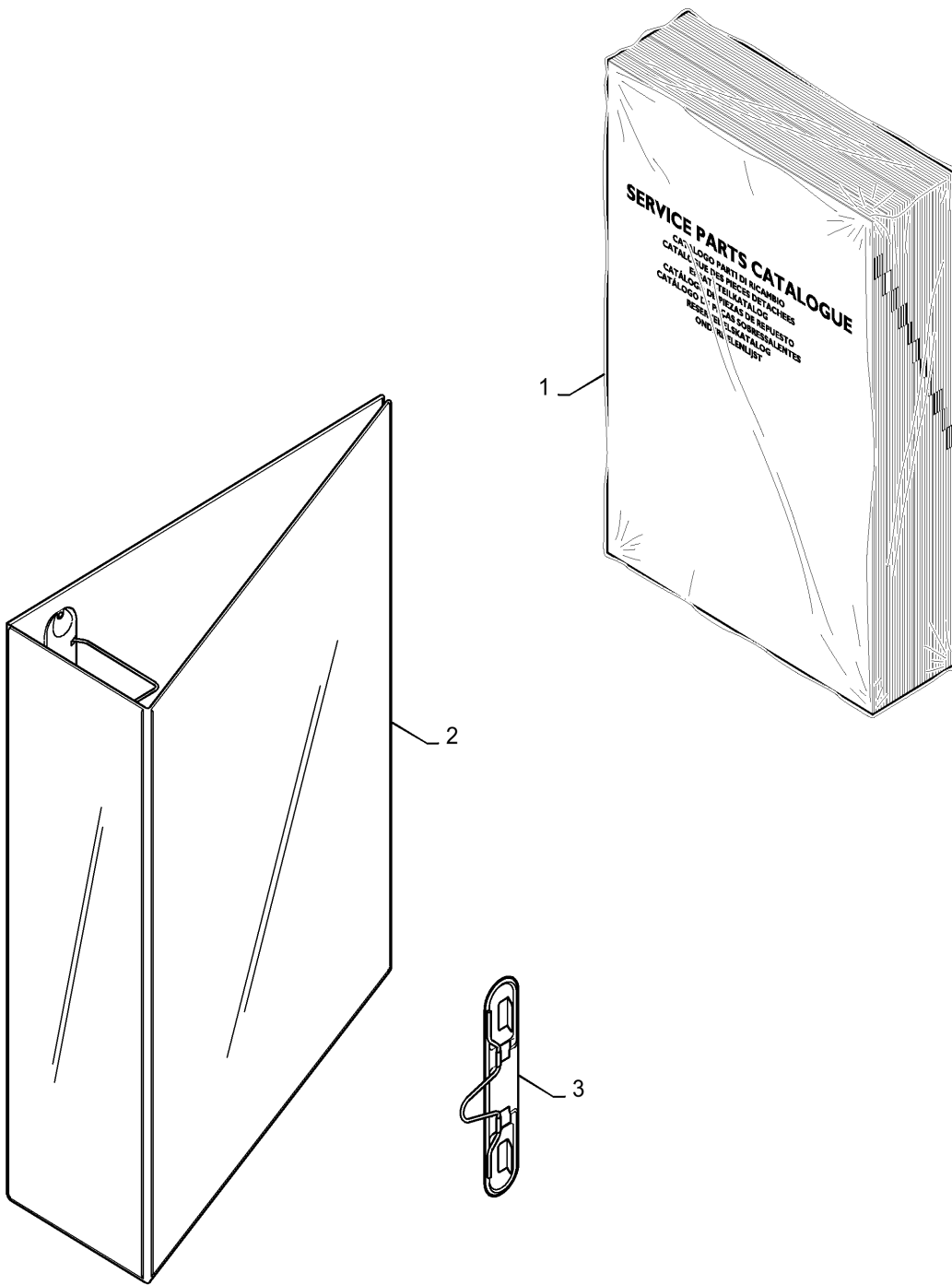
4/2017

IDENTIFICATION PLATES

REF FN	PART NUMBER	YR/SN	QTY DESCRIPTION
---------------	--------------------	--------------	------------------------

Orkel GP 1270 Kombi/ Orkel GP 1270S

SERVICE PARTS CATALOGUE AND BINDER



SERVICE PARTS CATALOGUE AND BINDER

REF FN	PART NUMBER	YR/SN	QTY DESCRIPTION
1	{48120488}		1
2	84068371		1 CATALOG COVER 85MM
2	84068370		1 CATALOG COVER 65MM
2	84068369		1 CATALOG COVER 35MM
3	84068372		1 CLIP

Orkel GP 1270 Kombi/ Orkel GP 1270S

SECTION INDEX

SERVICE & MAINTENANCE

05.000.00	01	SECTION INDEX - MACHINE COMPLETION AND EQUIPMENT
05.100.03	01	FILTERS & CAPACITIES
05.100.04	01	MAINTENANCE PARTS, POWER TAKE-OFF, AIRBRAKE COUPLINGS, BALE COMMAND FUSES
05.100.04	02	MAINTENANCE PARTS, PICK-UP FRAME, PICK-UP REEL
05.100.04	03	MAINTENANCE PARTS, MAIN CHAIN DRIVE
05.100.04	04	MAINTENANCE PARTS, DISTRIBUTOR CHAIN DRIVE
05.100.04	05	MAINTENANCE PARTS, DRIVE CHAIN AND SPROCKETS, MAIN FRAME ROLLS
05.100.04	06	MAINTENANCE PARTS, DRIVE CHAIN AND SPROCKETS, TAILGATE ROLLS
05.100.04	07	MAINTENANCE PARTS, BEARING FOR MAIN FRAME ROLLS
05.100.04	08	MAINTENANCE PARTS, BEARING FOR TAILGATE ROLLS
05.100.04	09	MAINTENANCE PARTS, ROTOR CUTTER, ROTOR DRIVE
05.100.04	10	MAINTENANCE PARTS, TAILGATE LATCH SPRINGS
05.100.04	11	MAINTENANCE PARTS, WRAPPER DRIVE
05.100.04	12	MAINTENANCE PARTS, SPROCKETS AND DRIVE
05.100.04	13	MAINTENANCE PARTS, WRAPPER DRIVE
05.100.04	14	MAINTENANCE PARTS, CHAIN LUBRICATION BRUSHES
05.102.010		WHEEL WEDGE

05.000.00

01

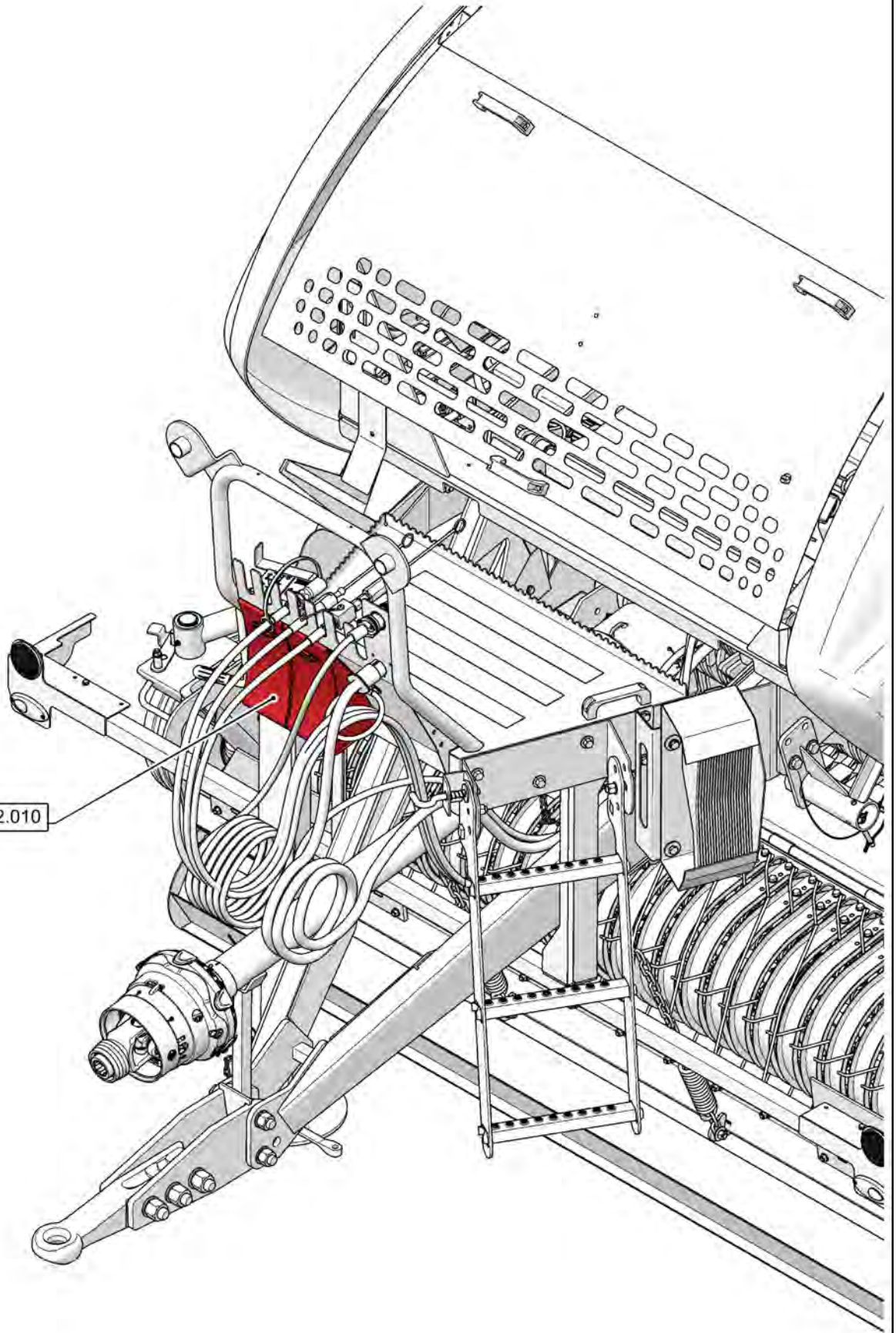
p1

4/2017

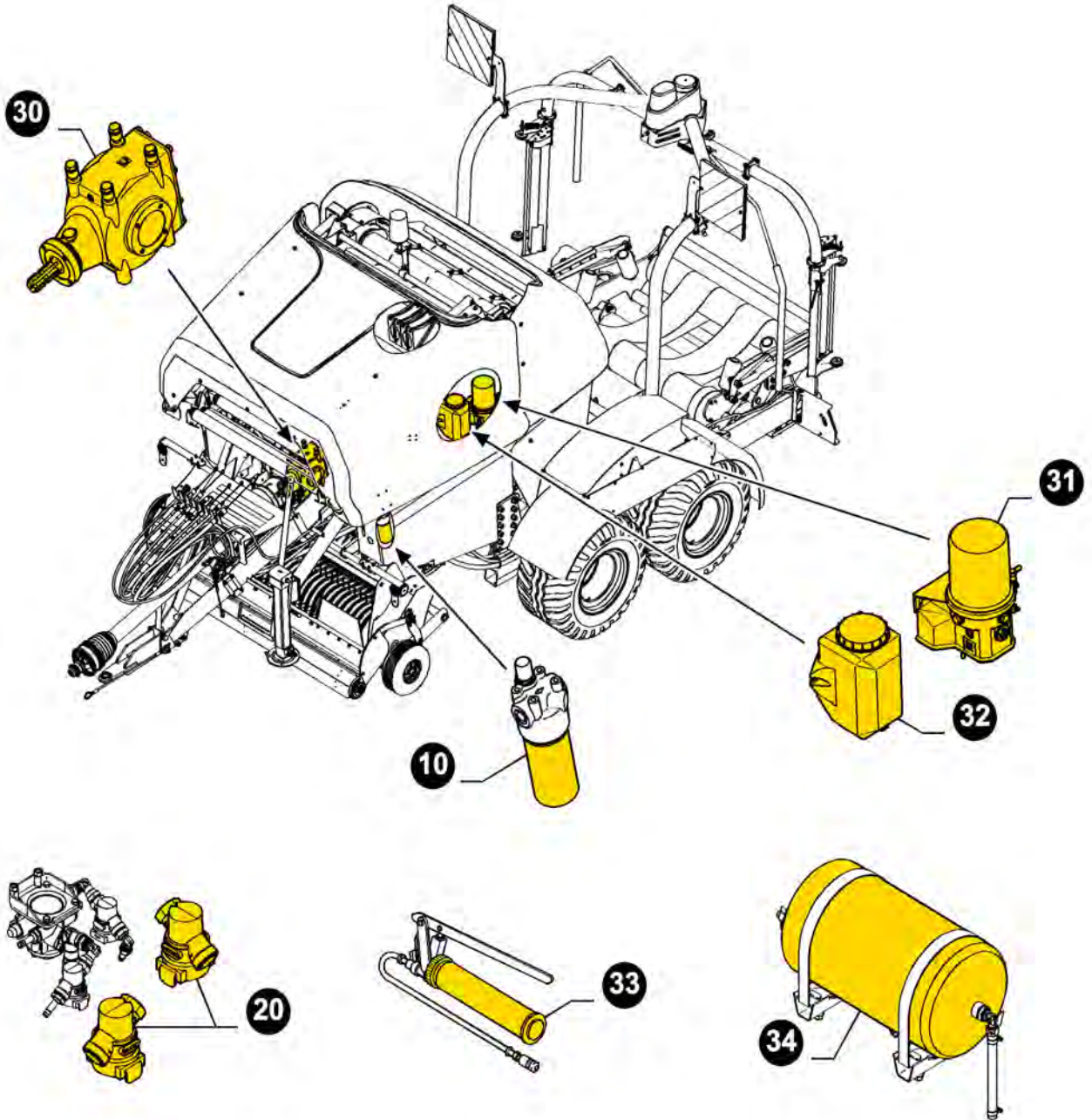
SECTION INDEX - MACHINE COMPLETION AND EQUIPMENT



05.102.010



FILTERS & CAPACITIES

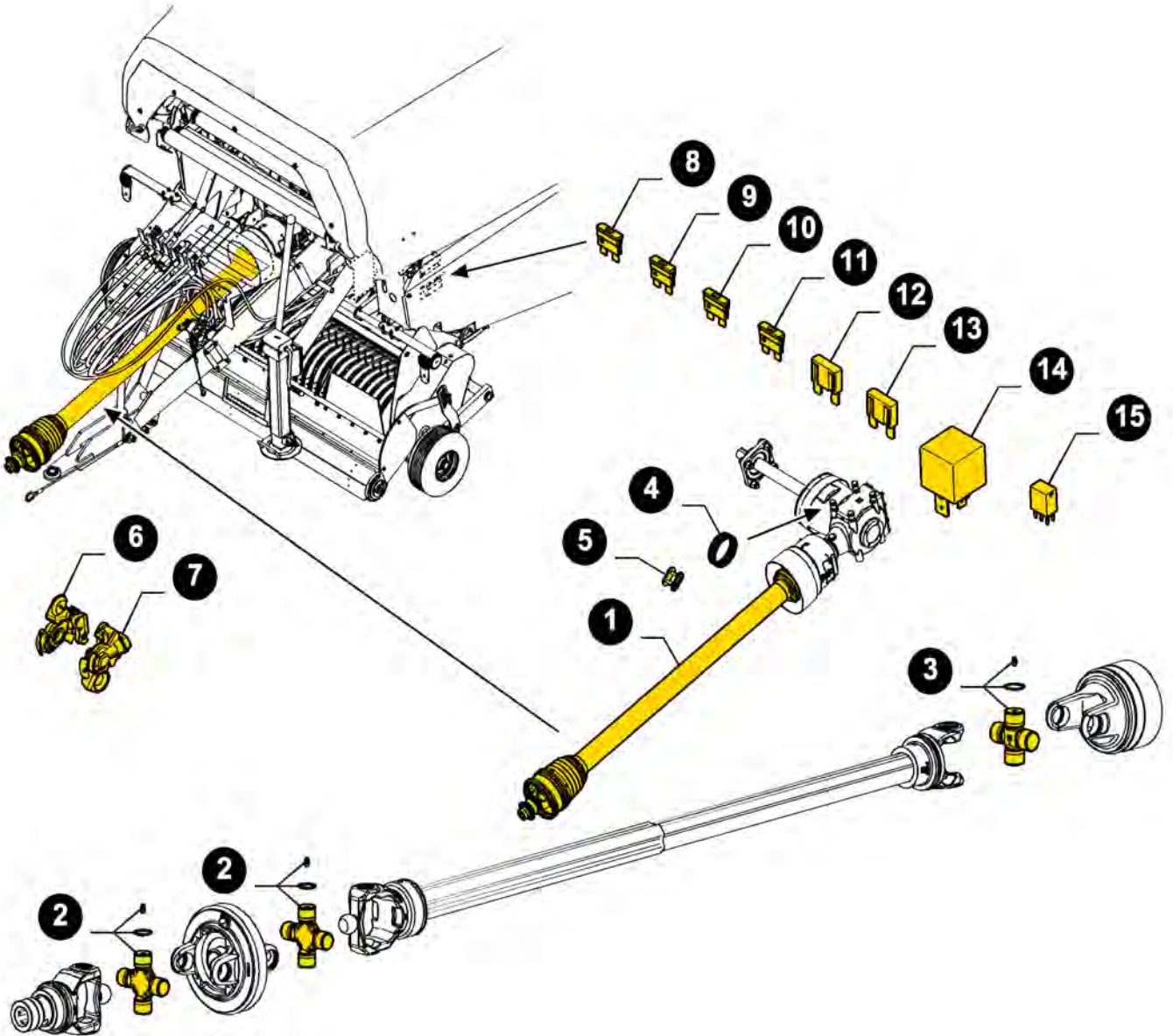


FILTERS & CAPACITIES

REF FN	PART NUMBER	YR/SN	QTY DESCRIPTION
10	{HYDRAULIC OIL} 1 47691234		1 HYDRAULIC OIL FILTER ANNUALLY OR EVERY 10.000 BALES
20	{AIR} 9512545		AIR FILTER ANNUALLY OR EVERY 10.000 BALES
30	{CAPACITIES} {}		2.1 ANNUALLY OR EVERY 10.000 BALES
31	{}		2 CHECK LEVEL DAILY, REFILL IF NECESSARY
32	{}		5 ANNUALLY OR EVERY 10.000 BALES
33	{}		AR
34	{}		20
34	{}		45
(1)	FOR GP 1270S only.		

Orkel GP 1270 Kombi/ Orkel GP 1270S

MAINTENANCE PARTS, POWER TAKE-OFF, AIRBRAKE COUPLINGS, BALE COMMAND FUSES

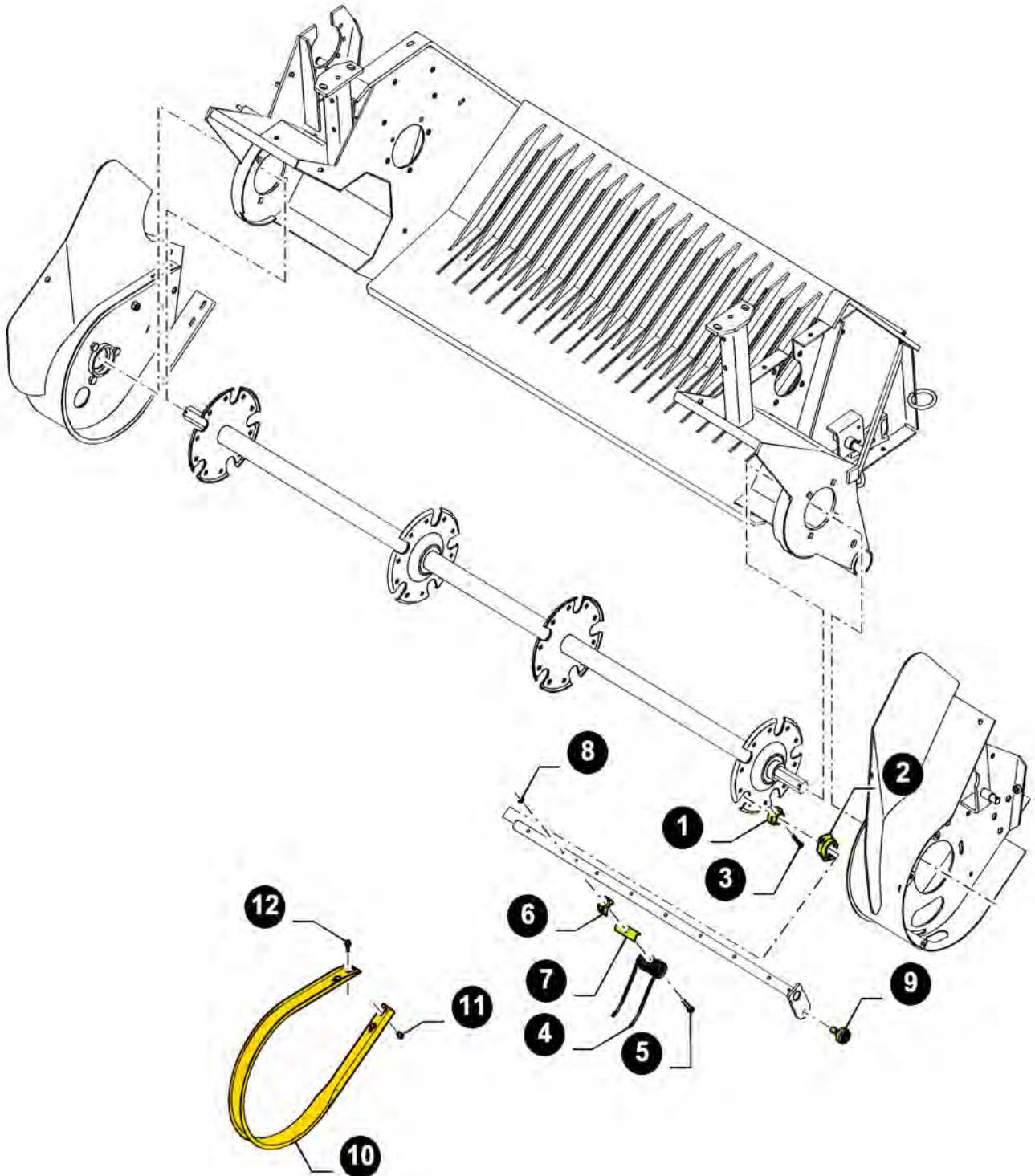


MAINTENANCE PARTS, POWER TAKE-OFF, AIRBRAKE COUPLINGS, BALE COMMAND FUSES

REF FN	PART NUMBER	YR/SN	QTY DESCRIPTION
1	47436704		1 SHAFT
2	47452464		2 KIT
3	47452478		1 KIT
4	47963575		1 CHAIN
5	47963582		1 CONNECTING LINK
6	9512546		1 COUPLING BLOCK
7	9512537		1 COUPLING BLOCK
8	84127702		5 FUSE 10A, Mini, Red
9	84127703		2 FUSE 15A, Mini, Blue
10	84127704		1 FUSE 20A, Mini, Yellow
11	84153830		2 FUSE 5A, Mini, Beige
12	84157159		1 FUSE 40A, Maxi, Orange
13	1 84477010		1 FUSE 25A, Grey
13	2 84253578		1 FUSE 20A
14	84539290		1 RELAY 12V, 50A
15	87655334		5 RELAY 12V, 35A, Micro
(1)	FOR GP 1270S ONLY		
(2)	FOR GP 1270 KOMBI ONLY		

Orkel GP 1270 Kombi/ Orkel GP 1270S

MAINTENANCE PARTS, PICK-UP FRAME, PICK-UP REEL

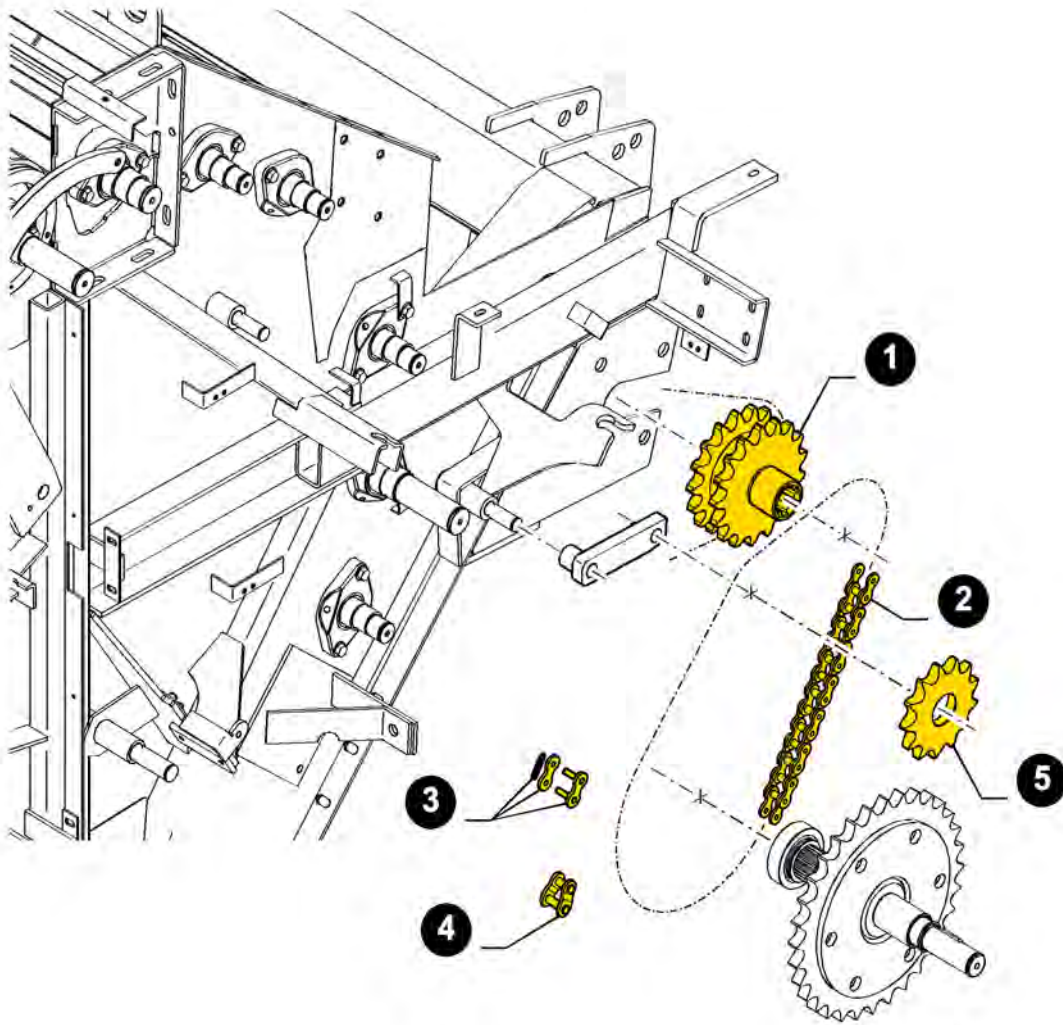


MAINTENANCE PARTS, PICK-UP FRAME, PICK-UP REEL

REF FN	PART NUMBER	YR/SN	QTY DESCRIPTION
1	86641856		20 BEARING 27.1 mm ID x 47 mm OD x 25.4 mm
2	54695		20 BEARING HOUSING
3	136521		20 COTTER PIN 5.7mm OD x 44.45mm L
4	84467073		80 TORSION SPRING Coiled, 2 Prong, 187mm L
5	535866		80 SCREW
6	84382002		80 SUPPORT
7	134921		80 BRACKET
8	86629542		80 NUT M8 x 1.25, CI 8.8
9	84350126		10 CAM FOLLOWER 1/2" - 20 x 38mm OD x 54.5mm L
10	84559050		31 GUARD
11	87039762		95 SELF-TAP SCREW Hex Wash Hd, 5/16"-18 x 5/8"
12	87034817		34 SELF-TAP SCREW HWH, 5/16" - 18 x 3/4"

Orkel GP 1270 Kombi/ Orkel GP 1270S

MAINTENANCE PARTS, MAIN CHAIN DRIVE

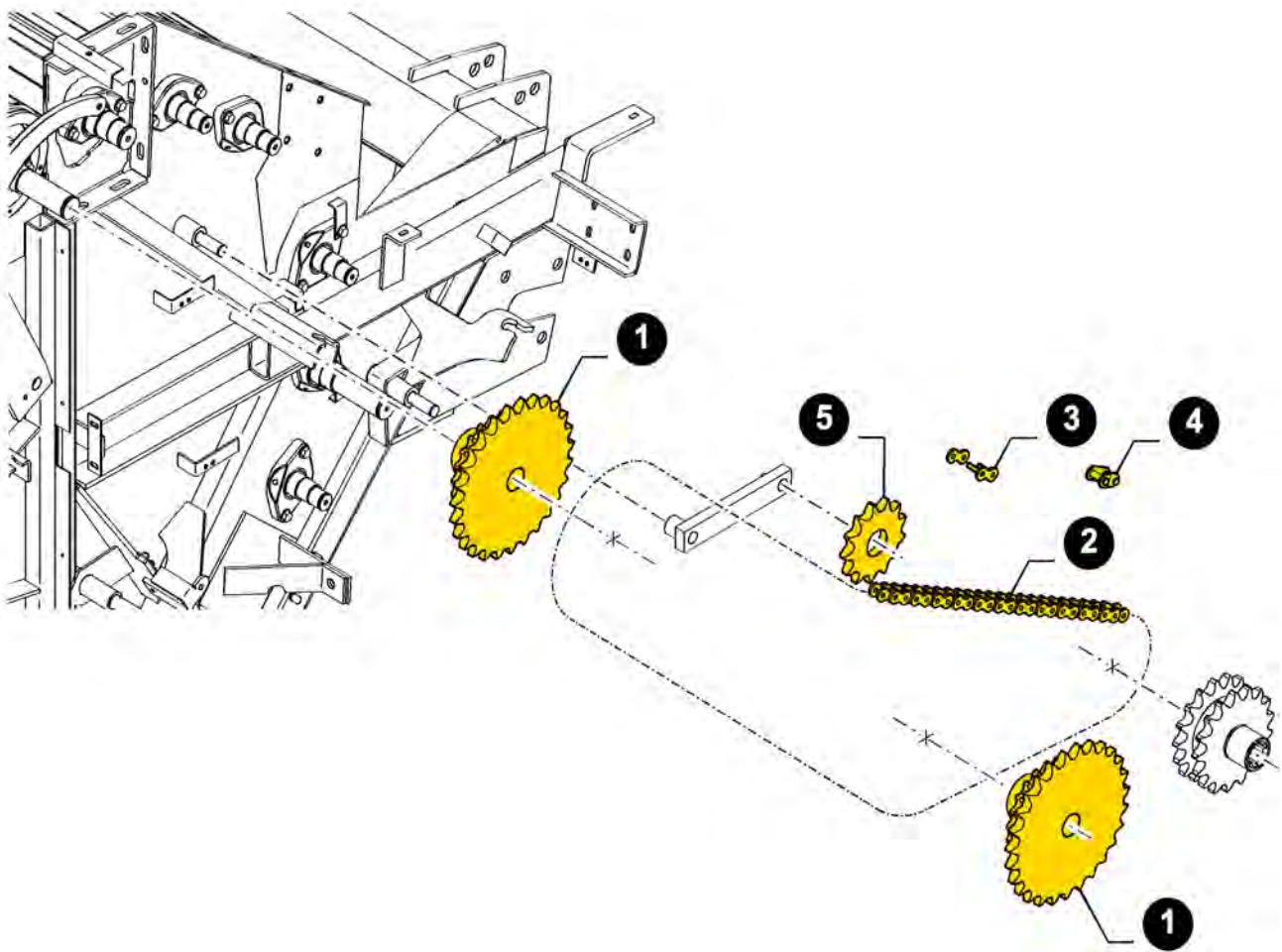


MAINTENANCE PARTS, MAIN CHAIN DRIVE

REF FN	PART NUMBER	YR/SN	QTY DESCRIPTION
1	47988418		1 SPROCKET
2	47960871		1 CHAIN
3	47960882		1 CONNECTING LINK
4	47960904		1 OFFSET LINK
5	47458933		1 SPROCKET

Orkel GP 1270 Kombi/ Orkel GP 1270S

MAINTENANCE PARTS, DISTRIBUTOR CHAIN DRIVE

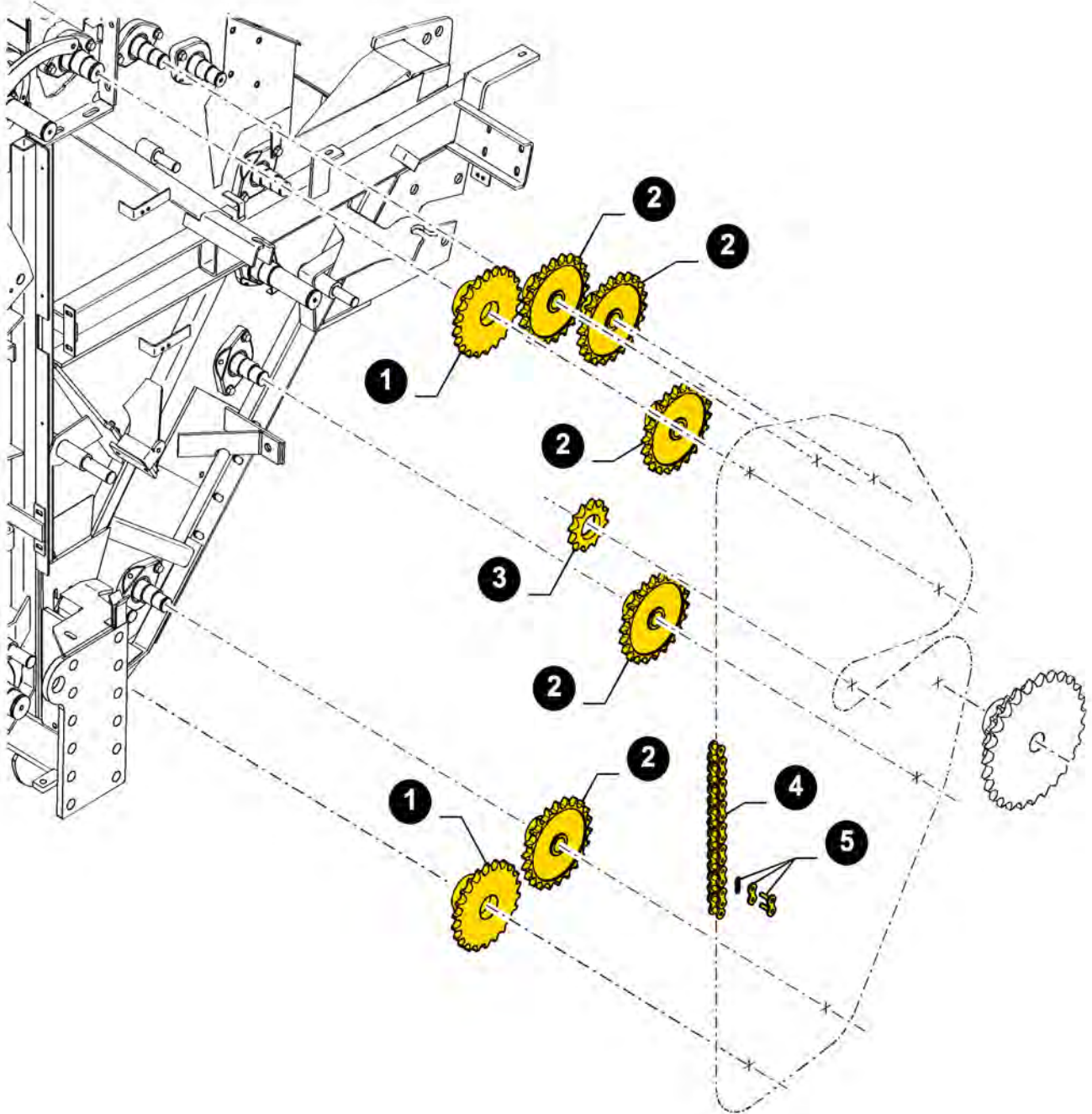


MAINTENANCE PARTS, DISTRIBUTOR CHAIN DRIVE

REF FN	PART NUMBER	YR/SN	QTY DESCRIPTION
1	47456973		2 SPROCKET
2	47960914		1 CHAIN Incl 3 - 4
3	47960882		1 CONNECTING LINK
4	47960904		1 OFFSET LINK
5	47458933		1 SPROCKET

Orkel GP 1270 Kombi/ Orkel GP 1270S

MAINTENANCE PARTS, DRIVE CHAIN AND SPROCKETS, MAIN FRAME ROLLS



05.100.04

05

p1

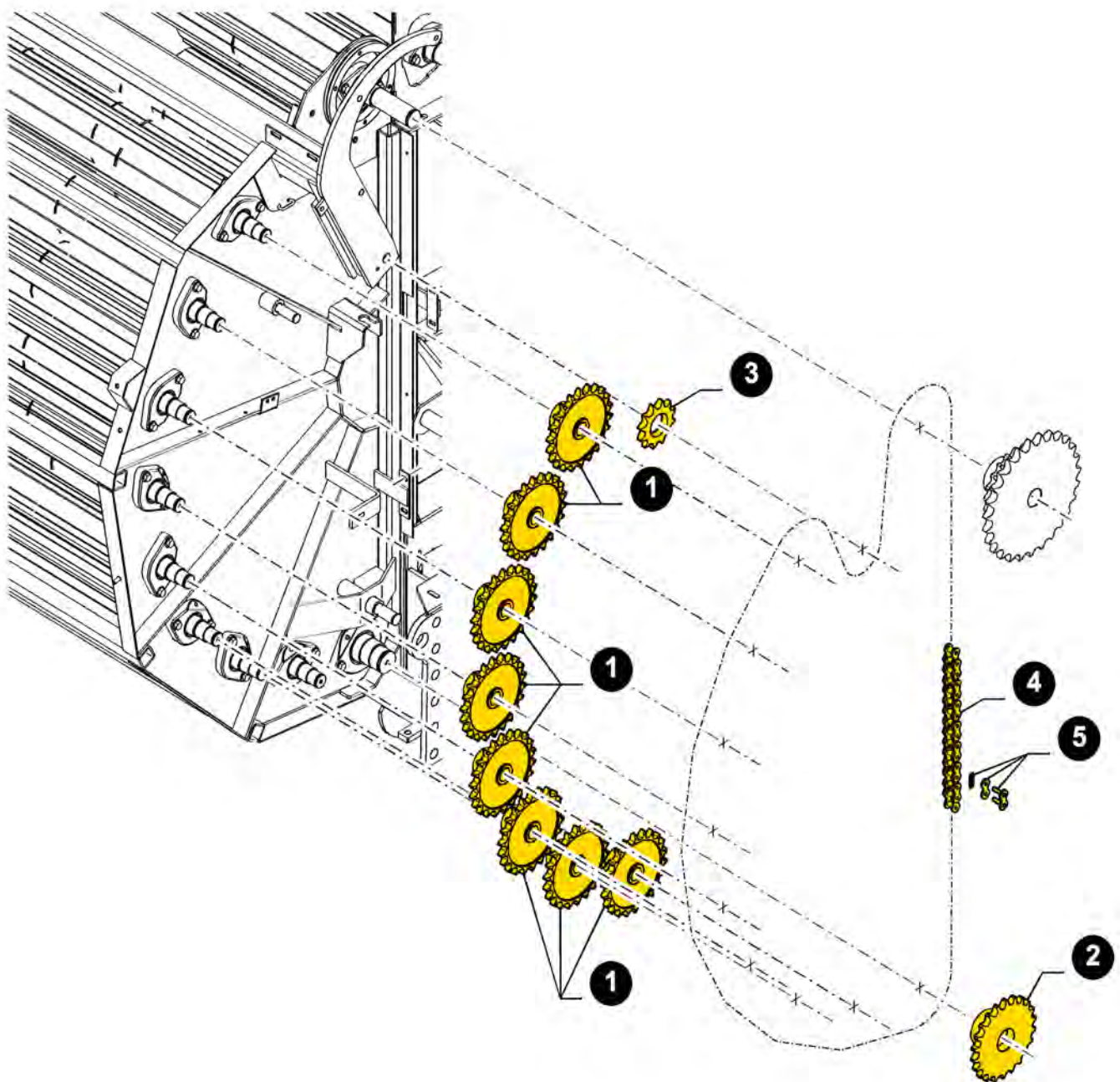
4/2017

MAINTENANCE PARTS, DRIVE CHAIN AND SPROCKETS, MAIN FRAME ROLLS

REF FN	PART NUMBER	YR/SN	QTY DESCRIPTION
1	47458932		2 SPROCKET
2	47458928		5 SPROCKET
3	47957038		1 SPROCKET
4	47960931		1 CHAIN Incl 5
5	47960939		1 CONNECTING LINK

Orkel GP 1270 Kombi/ Orkel GP 1270S

MAINTENANCE PARTS, DRIVE CHAIN AND SPROCKETS, TAILGATE ROLLS

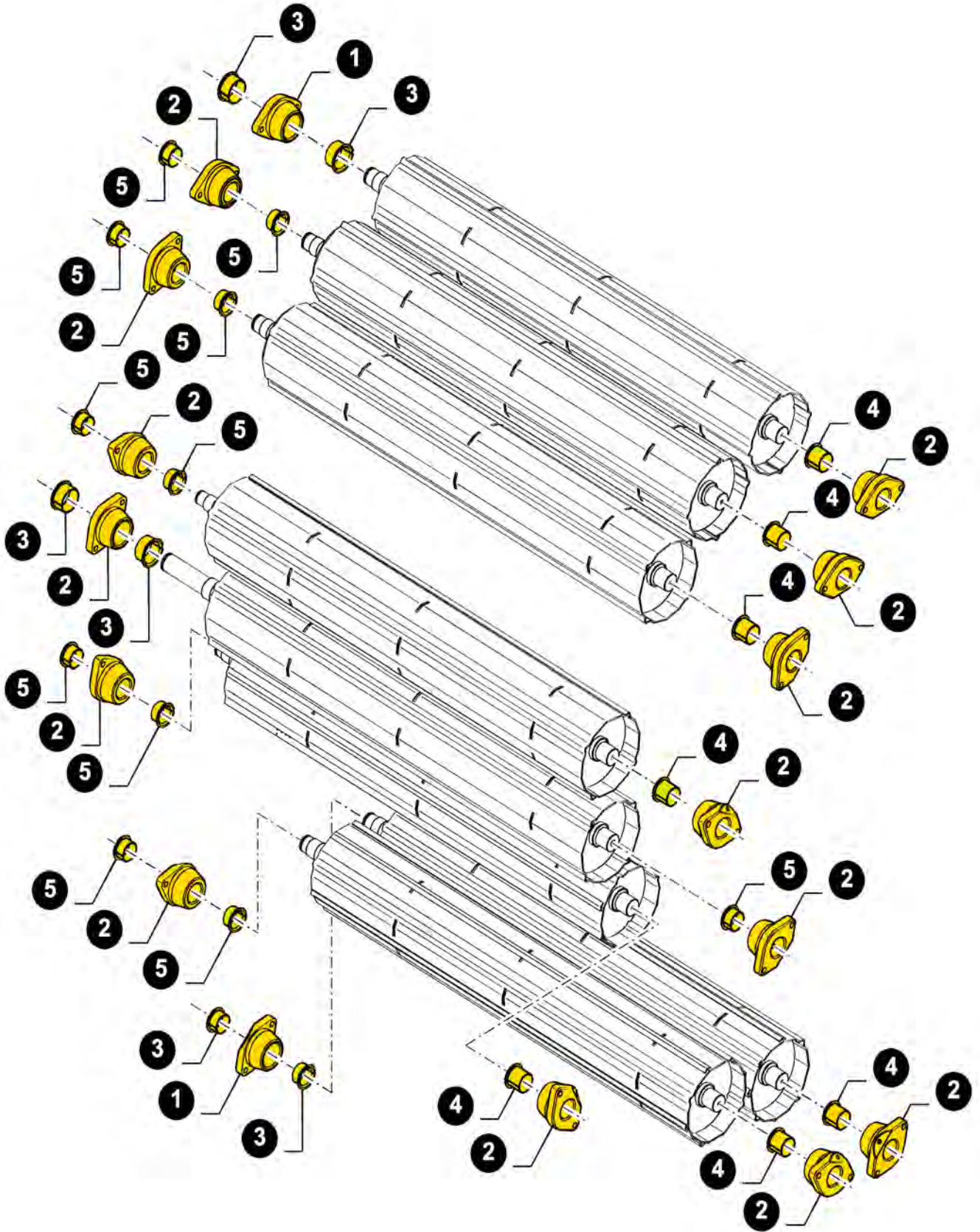


MAINTENANCE PARTS, DRIVE CHAIN AND SPROCKETS, TAILGATE ROLLS

REF FN	PART NUMBER	YR/SN	QTY DESCRIPTION
1	47458928		8 SPROCKET
2	47458931		1 SPROCKET
3	47957038		1 SPROCKET
4	47960955		1 CHAIN
5	47960939		1 CONNECTING LINK

Orkel GP 1270 Kombi/ Orkel GP 1270S

MAINTENANCE PARTS, BEARING FOR MAIN FRAME ROLLS

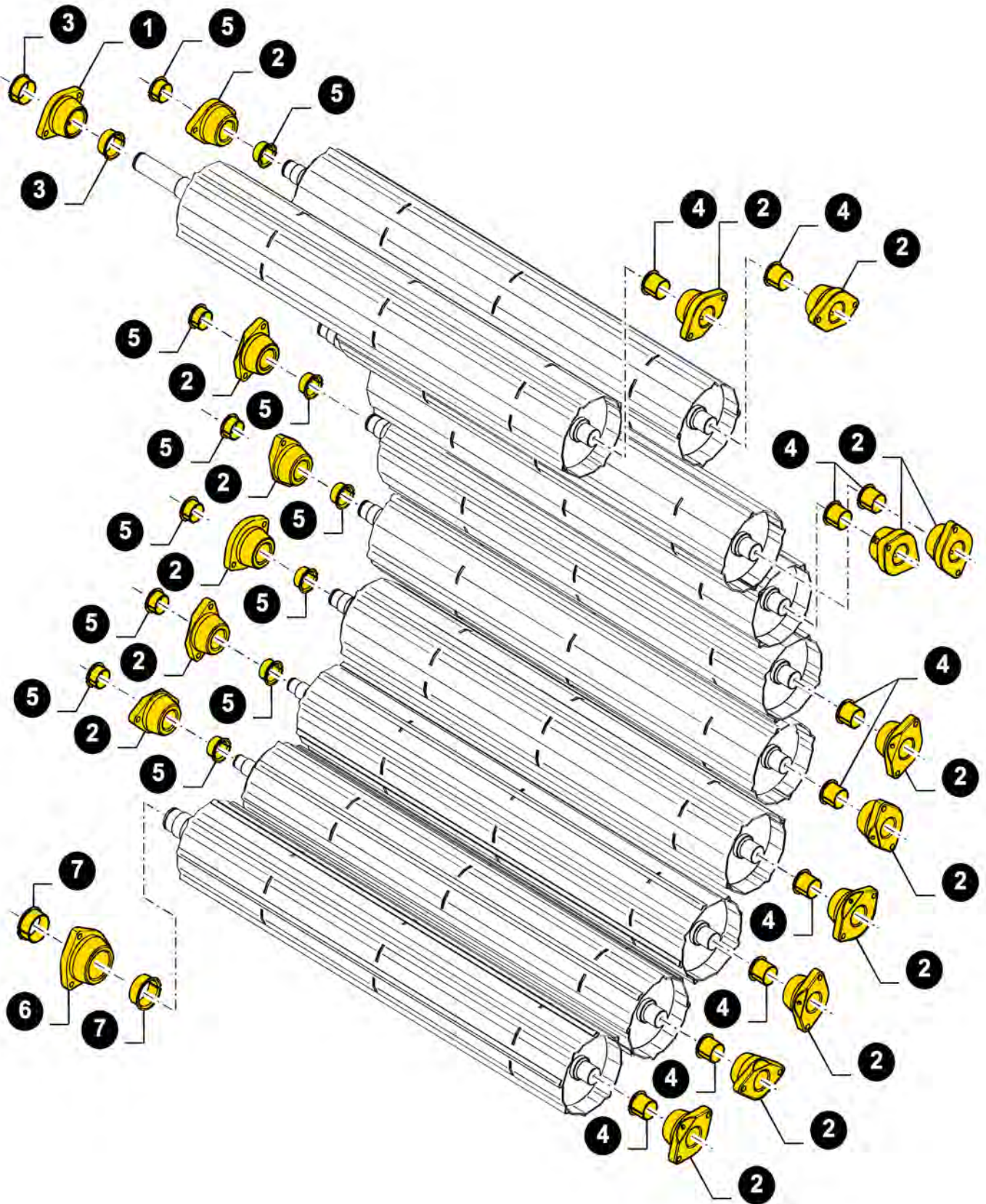


MAINTENANCE PARTS, BEARING FOR MAIN FRAME ROLLS

REF FN	PART NUMBER	YR/SN	QTY DESCRIPTION
1	47457058		2 HOUSING
2	47457730		14 HOUSING
3	47454157		6 BUSHING
4	47454158		7 BUSHING
5	47454159		11 BUSHING

Orkel GP 1270 Kombi/ Orkel GP 1270S

MAINTENANCE PARTS, BEARING FOR TAILGATE ROLLS

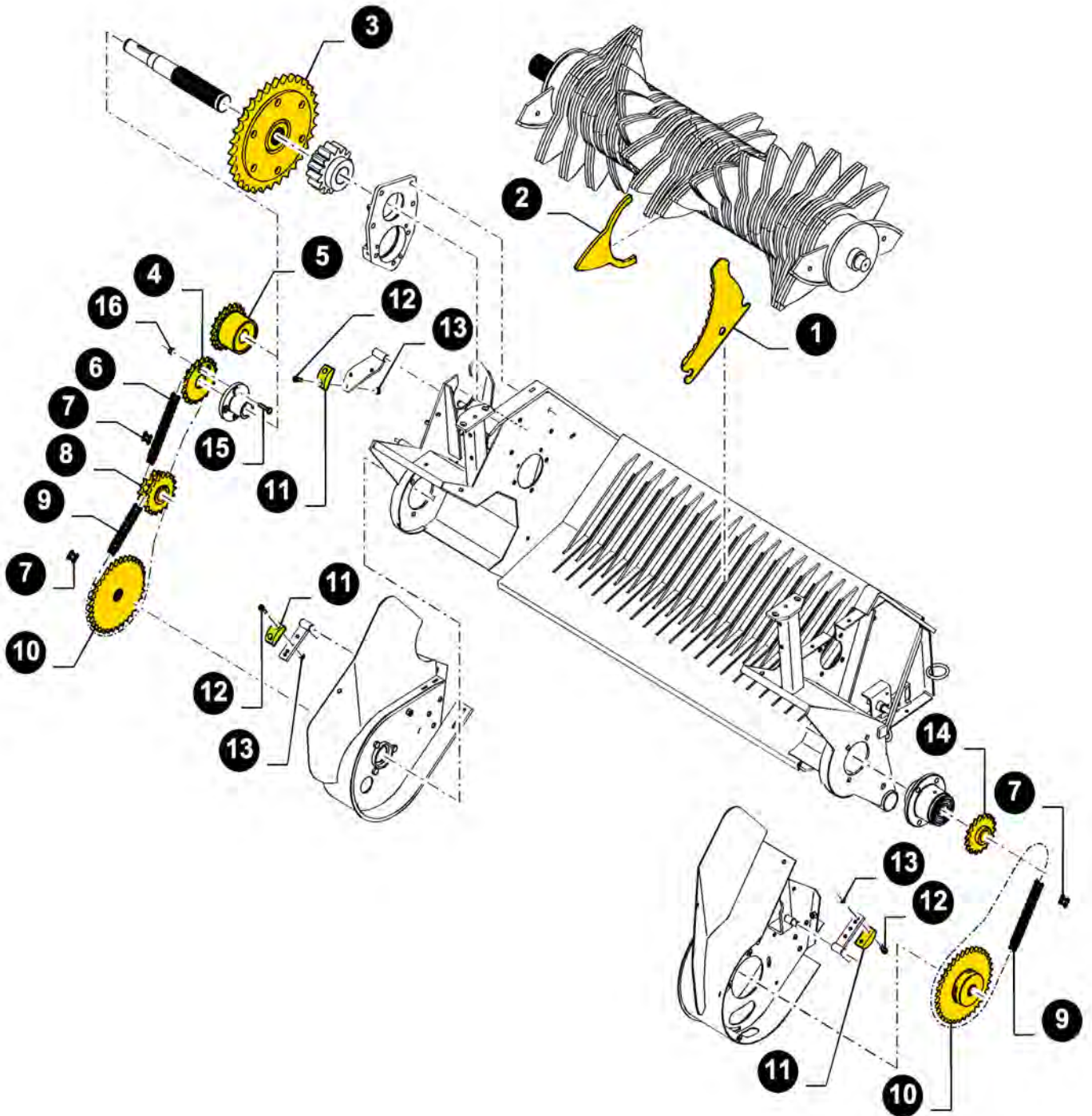


MAINTENANCE PARTS, BEARING FOR TAILGATE ROLLS

REF FN	PART NUMBER	YR/SN	QTY DESCRIPTION
1	47457058		1 HOUSING
2	47457730		18 HOUSING
3	47454157		2 BUSHING
4	47454158		10 BUSHING
5	47454159		16 BUSHING
6	47457731		1 HOUSING
7	47454156		2 BUSHING

Orkel GP 1270 Kombi/ Orkel GP 1270S

MAINTENANCE PARTS, ROTOR CUTTER, ROTOR DRIVE

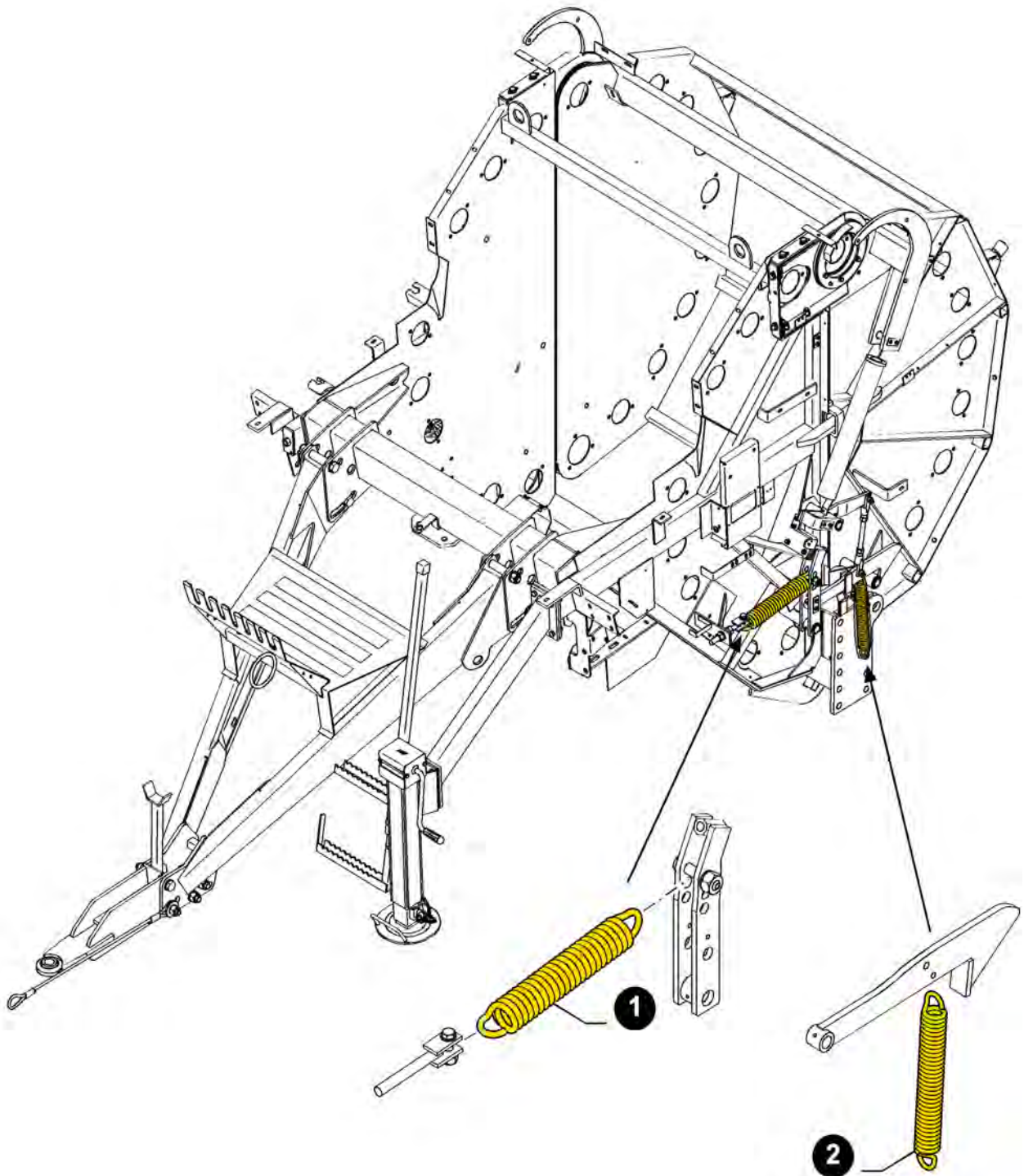


MAINTENANCE PARTS, ROTOR CUTTER, ROTOR DRIVE

REF FN	PART NUMBER	YR/SN	QTY DESCRIPTION
1	47723465		20 KNIFE
2	47445670		80 PLATE
3	1 47481460		1 SPROCKET
3	47870450		1 SPROCKET
4	47855712		1 SPROCKET
5	2 47481761		1 CLUTCH
6	47481462		1 CHAIN
7	47480493		2 CHAIN LINK
8	47480395		1 SPROCKET
9	47445972		2 CHAIN
10	47686114		2 SPROCKET
11	47445590		3 PLATE
12	86625220		6 HEX SOC SCREW M8 x 25mm, CI 8.8
13	437013		6 NUT
14	47685984		1 SPROCKET
15	800956		1 BOLT
16	86629544		1 NUT 5/16" – 18, GR B
(1)	FOR DISCHARGE CLUTCH ONLY		
(2)	FOR HEAVY DUTY ONLY		

Orkel GP 1270 Kombi/ Orkel GP 1270S

MAINTENANCE PARTS, TAILGATE LATCH SPRINGS



05.100.04

10

p1

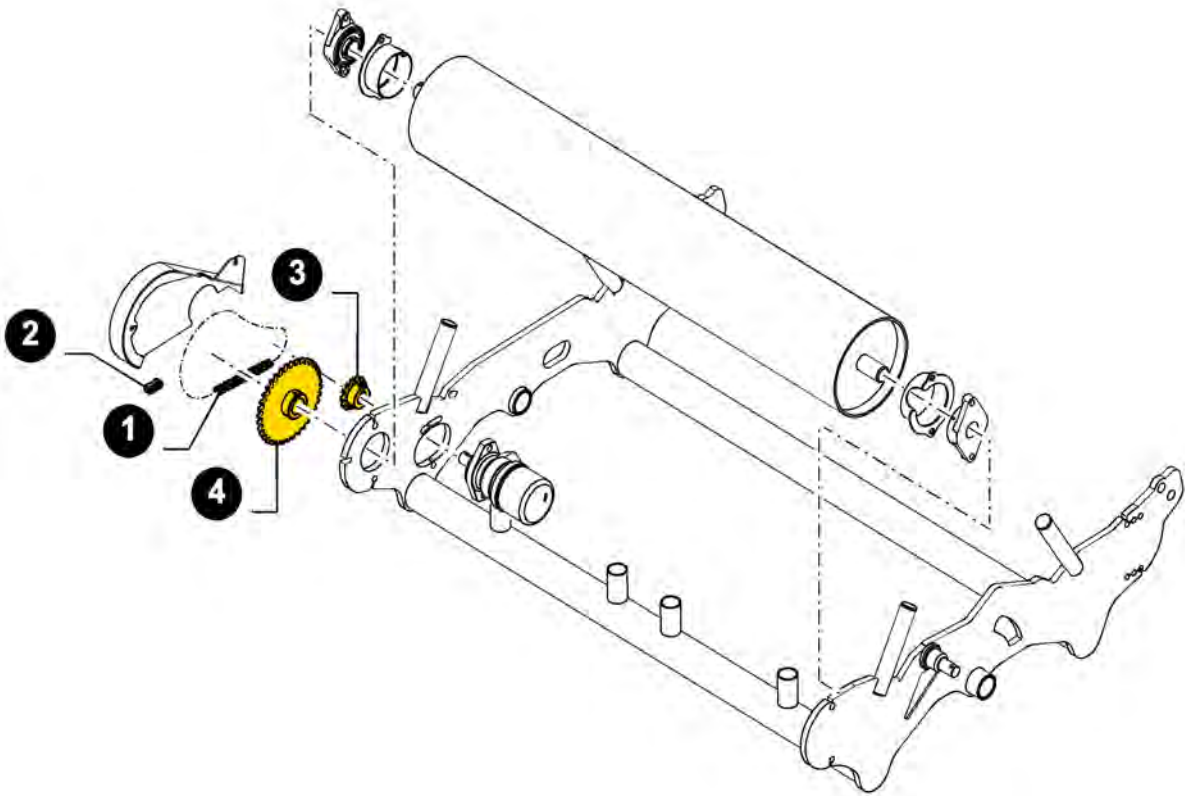
4/2017

MAINTENANCE PARTS, TAILGATE LATCH SPRINGS

REF FN	PART NUMBER	YR/SN	QTY DESCRIPTION
1	47463518		2 SPRING
2	47463520		2 SPRING

Orkel GP 1270 Kombi/ Orkel GP 1270S

MAINTENANCE PARTS, WRAPPER DRIVE

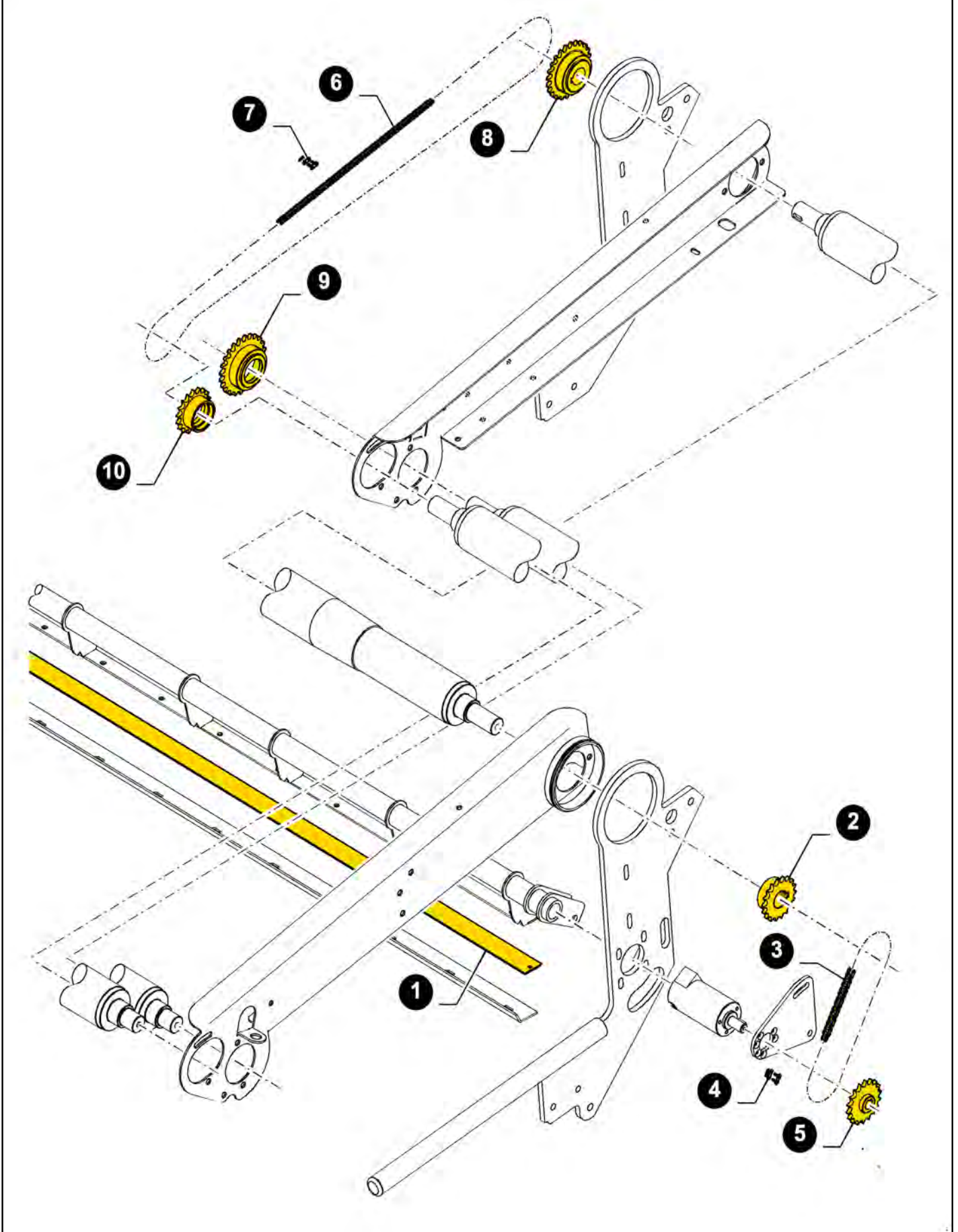


MAINTENANCE PARTS, WRAPPER DRIVE

REF FN	PART NUMBER	YR/SN	QTY DESCRIPTION
1	47666803		1 CHAIN Incl 2
2	47901267		1 LINK
3	47737894		1 SPROCKET
4	47737892		1 SPROCKET

Orkel GP 1270 Kombi/ Orkel GP 1270S

MAINTENANCE PARTS, SPROCKETS AND DRIVE

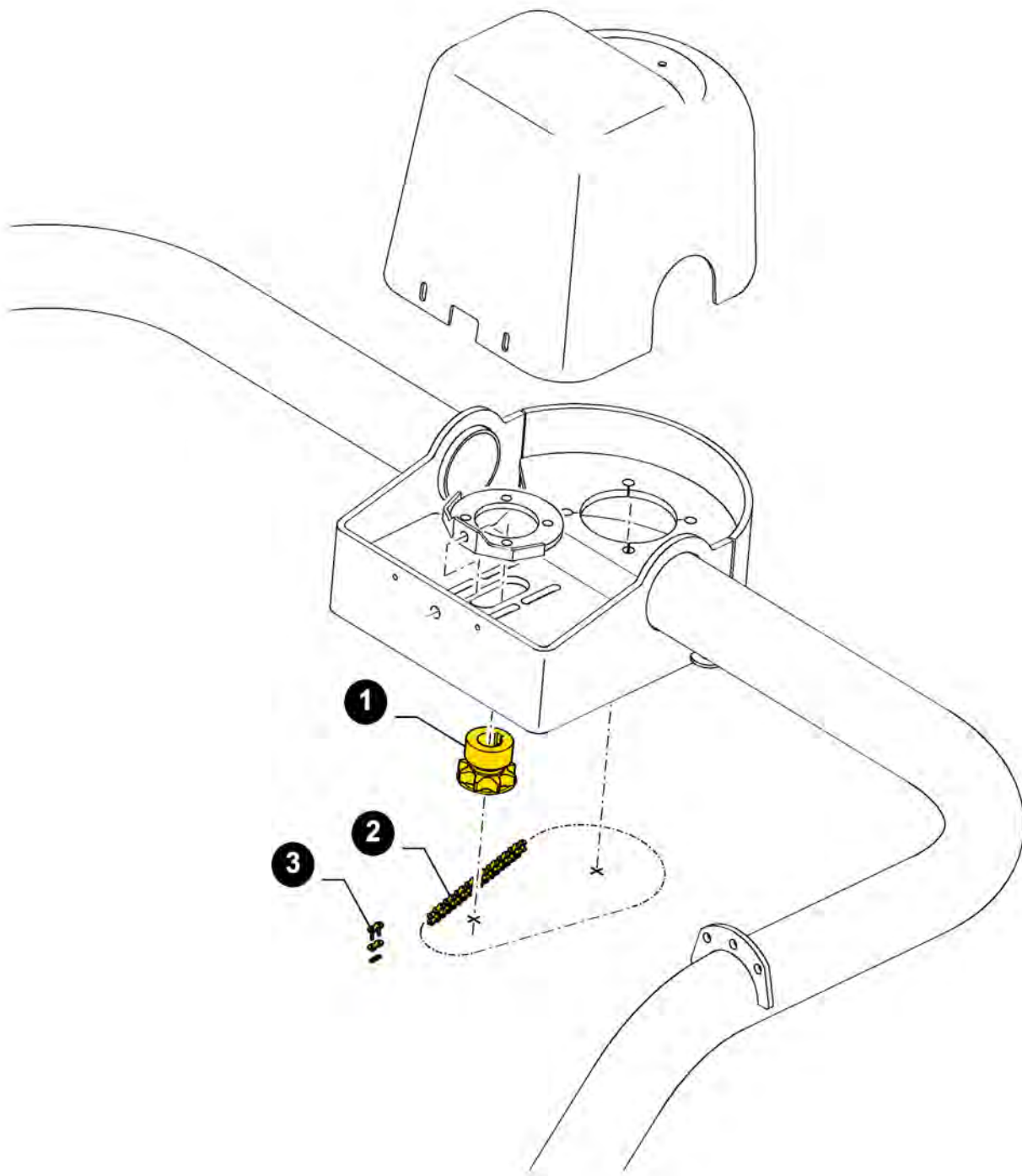


MAINTENANCE PARTS, SPROCKETS AND DRIVE

REF	FN	PART NUMBER	YR/SN	QTY	DESCRIPTION
1	1	86593724		3	KNIFE 445.8mm L x 38.1mm W x 3.4mm Thk
1	2	47451341		1	KNIFE
2	2	47451344		1	SPROCKET
3	2	47461078		1	CHAIN Incl 4
4	2	47461080		1	CHAIN
5	2	47451343		1	SPROCKET
6	2	47463637		1	CHAIN Incl 7
7	2	47461080		1	CHAIN
8	2	47451346		1	SPROCKET
9	2	47451342		1	SPROCKET
10	2	47451345		1	SPROCKET
(1)		FOR GP 1270S ONLY			
(2)		FOR GP 1270 KOMBI ONLY			

Orkel GP 1270 Kombi/ Orkel GP 1270S

MAINTENANCE PARTS, WRAPPER DRIVE

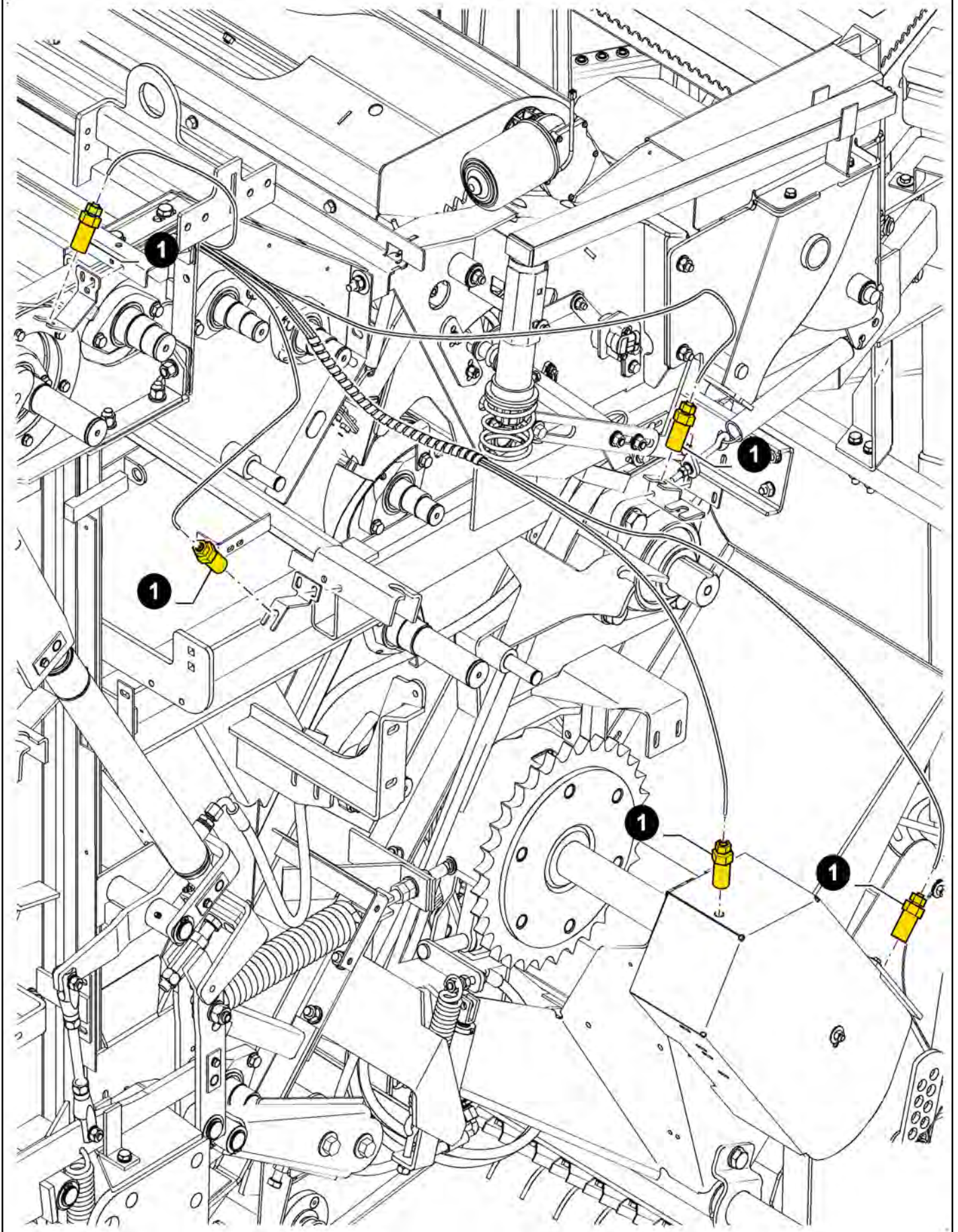


MAINTENANCE PARTS, WRAPPER DRIVE

REF FN	PART NUMBER	YR/SN	QTY DESCRIPTION
1	48039866		1 SPROCKET
2	47666599		1 CHAIN LINK
3	47735944		1 LINK

Orkel GP 1270 Kombi/ Orkel GP 1270S

MAINTENANCE PARTS, CHAIN LUBRICATION BRUSHES



05.100.04

14

p1

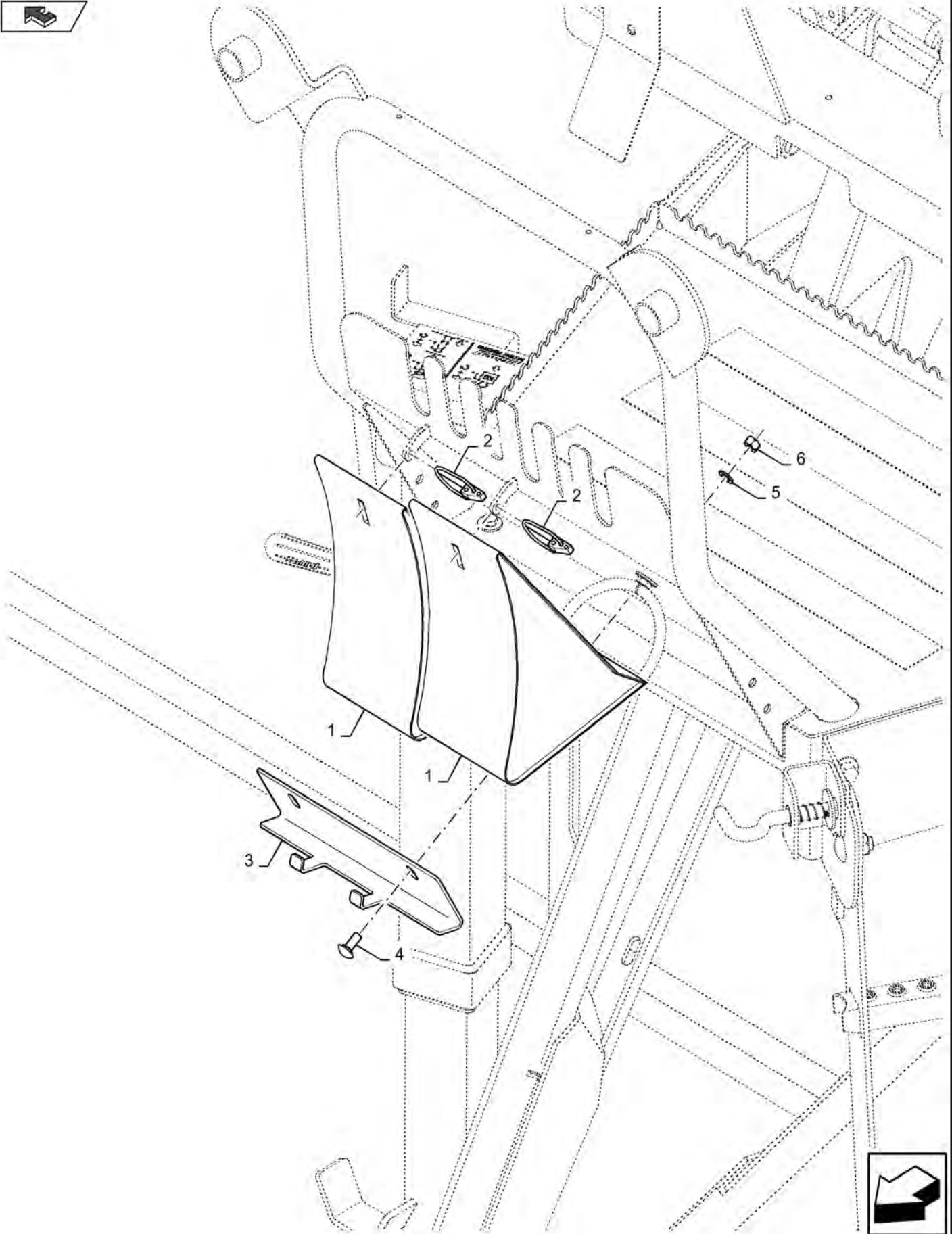
4/2017

MAINTENANCE PARTS, CHAIN LUBRICATION BRUSHES

REF FN	PART NUMBER	YR/SN	QTY DESCRIPTION
1	9822519		6 COMMUTATOR BRUSH

Orkel GP 1270 Kombi/ Orkel GP 1270S

WHEEL WEDGE



WHEEL WEDGE

REF FN	PART NUMBER	YR/SN	QTY DESCRIPTION
1	86553668		2 WHEEL CHOCK
2	47487375		2 LOCK PIN 5.5mm OD
3	48097183		1 SUPPORT
4	86507486		2 CARRIAGE BOLT M8 x 1.25 x 20mm, CI 8.8
5	86624184		2 WASHER 9mm ID x 16mm OD x 1.6mm Thk
6	437013		2 NUT

Orkel GP 1270 Kombi/ Orkel GP 1270S

SECTION INDEX

REAR AXLE SYSTEM

27.000.00	01	SECTION INDEX - REAR AXLE SYSTEM
27.550.010		WHEEL MOUNTING BRACKET
27.550.020		WHEEL MOUNTING BRACKET FOR HYDRAULIC BRAKES
27.550.030		WHEEL MOUNTING BRACKET FOR PNEUMATIC BRAKES
27.550.040		WHEEL MOUNTING BRACKET

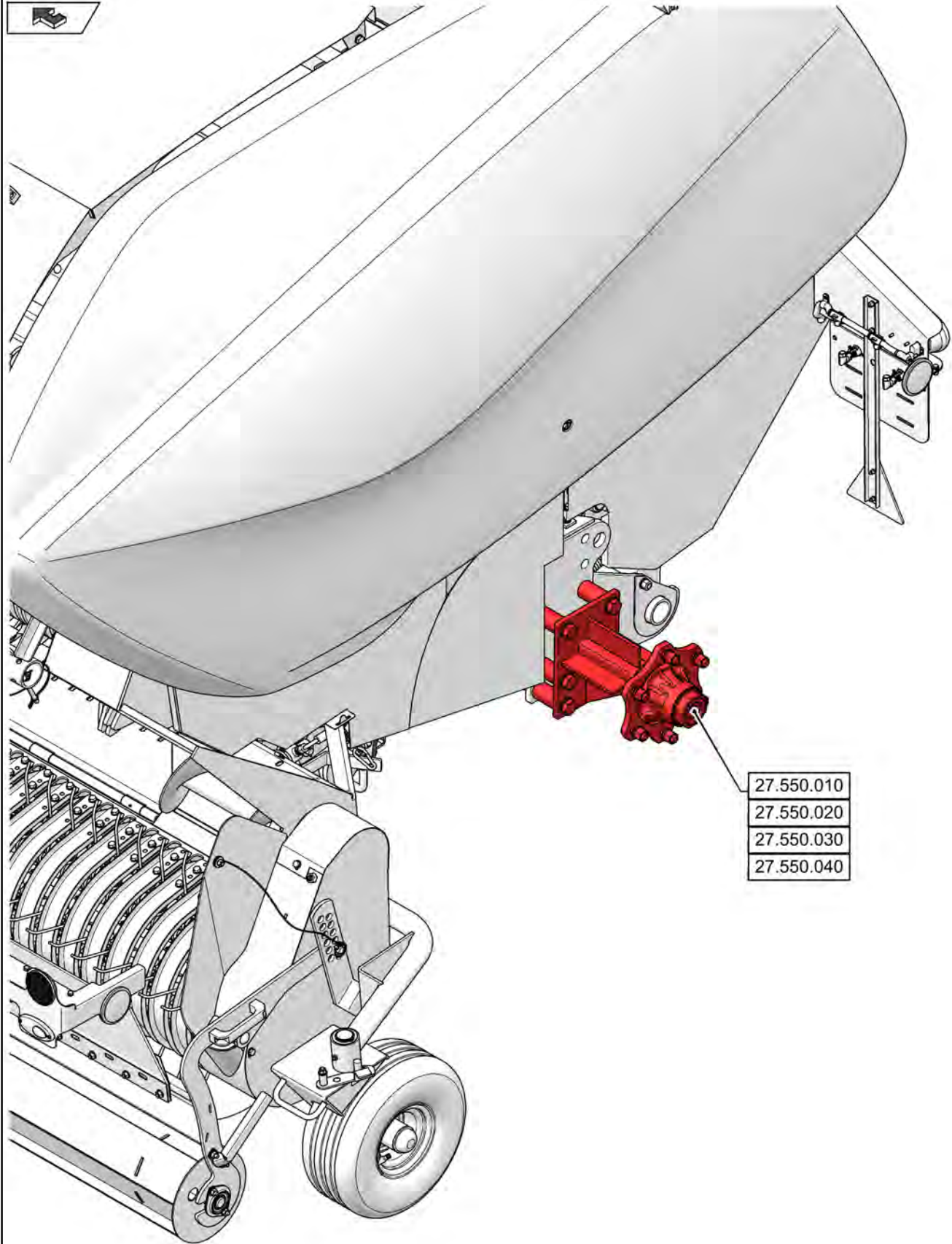
27.000.00

01

p1

4/2017

SECTION INDEX - REAR AXLE SYSTEM



- 27.550.010
- 27.550.020
- 27.550.030
- 27.550.040

27.000.00

01

p1

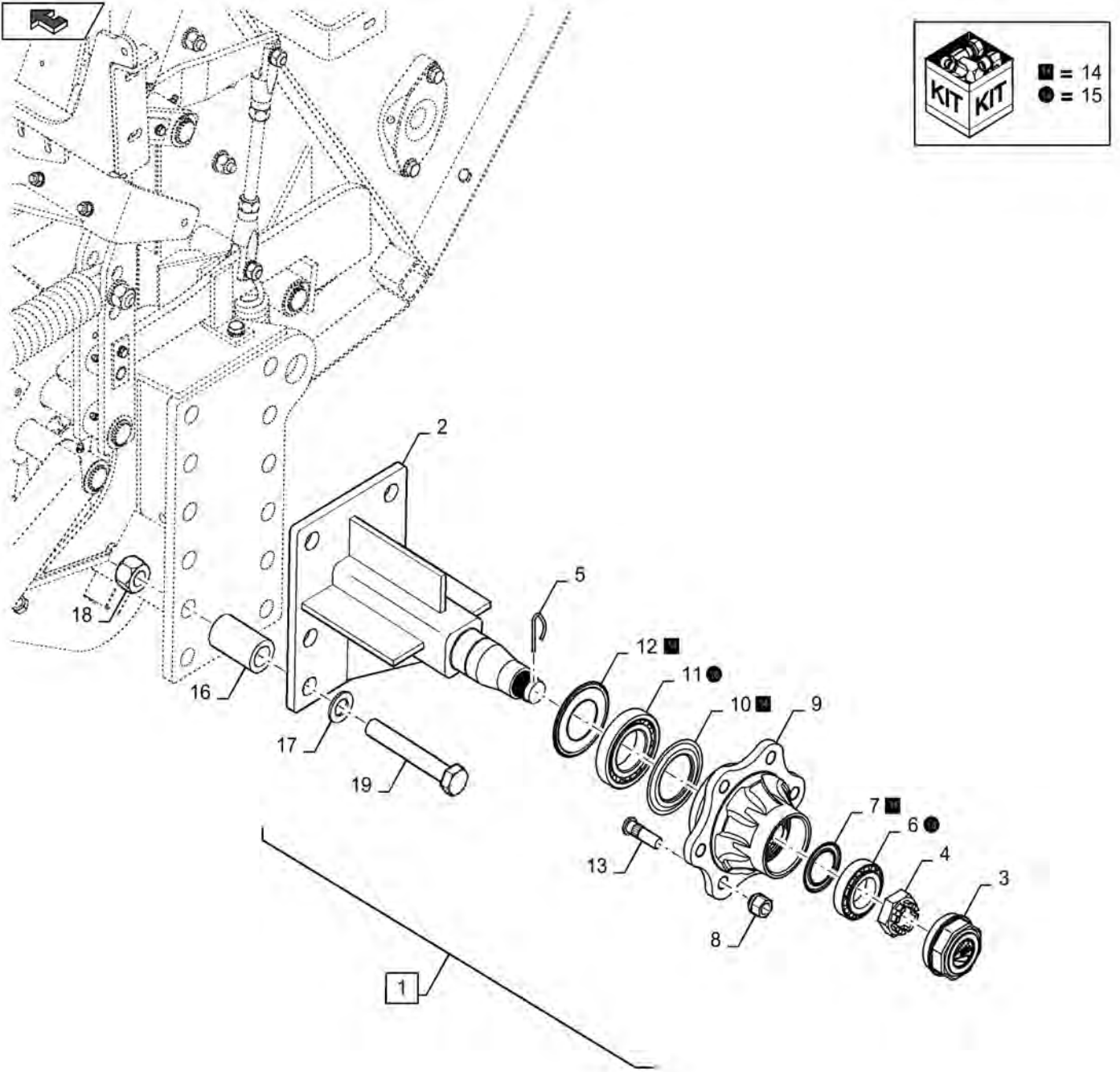
4/2017

SECTION INDEX - REAR AXLE SYSTEM

REF FN	PART NUMBER	YR/SN	QTY DESCRIPTION
---------------	--------------------	--------------	------------------------

Orkel GP 1270 Kombi/ Orkel GP 1270S

WHEEL MOUNTING BRACKET



WHEEL MOUNTING BRACKET

REF FN	PART NUMBER	YR/SN	QTY DESCRIPTION
1	47441019		2 HUB Incl 2 - 13
2	NSS		1 NOT SOLD SEPARAT Bracket, Incl in 1
3	47549562		1 DUST CAP
4	47549566		1 CROWN NUT
5	47493132		1 COTTER PIN
6	47549568		1 BALL BEARING
7	47549569		1 SEAL
8	47493127		6 NUT
9	47653226		1 KIT
10	47549573		1 SEAL
11	47549578		1 BALL BEARING
12	NSS		1 NOT SOLD SEPARAT Seal, Incl in 15
13	47549580		6 BOLT
14	47653224		1 KIT Incl 6, 11
15	47653225		1 KIT Incl 7, 10, 12
16	47440314		12 SPACER
17	86511327		12 WASHER 21mm ID x 37mm OD x 3mm Thk
18	82020635		12 NUT Prevailing Torque, M20 x 2.5 x 20mm, Cl8
19	412427		12 BOLT Hex, M20 x 2.5 x 130mm, Cl 8.8

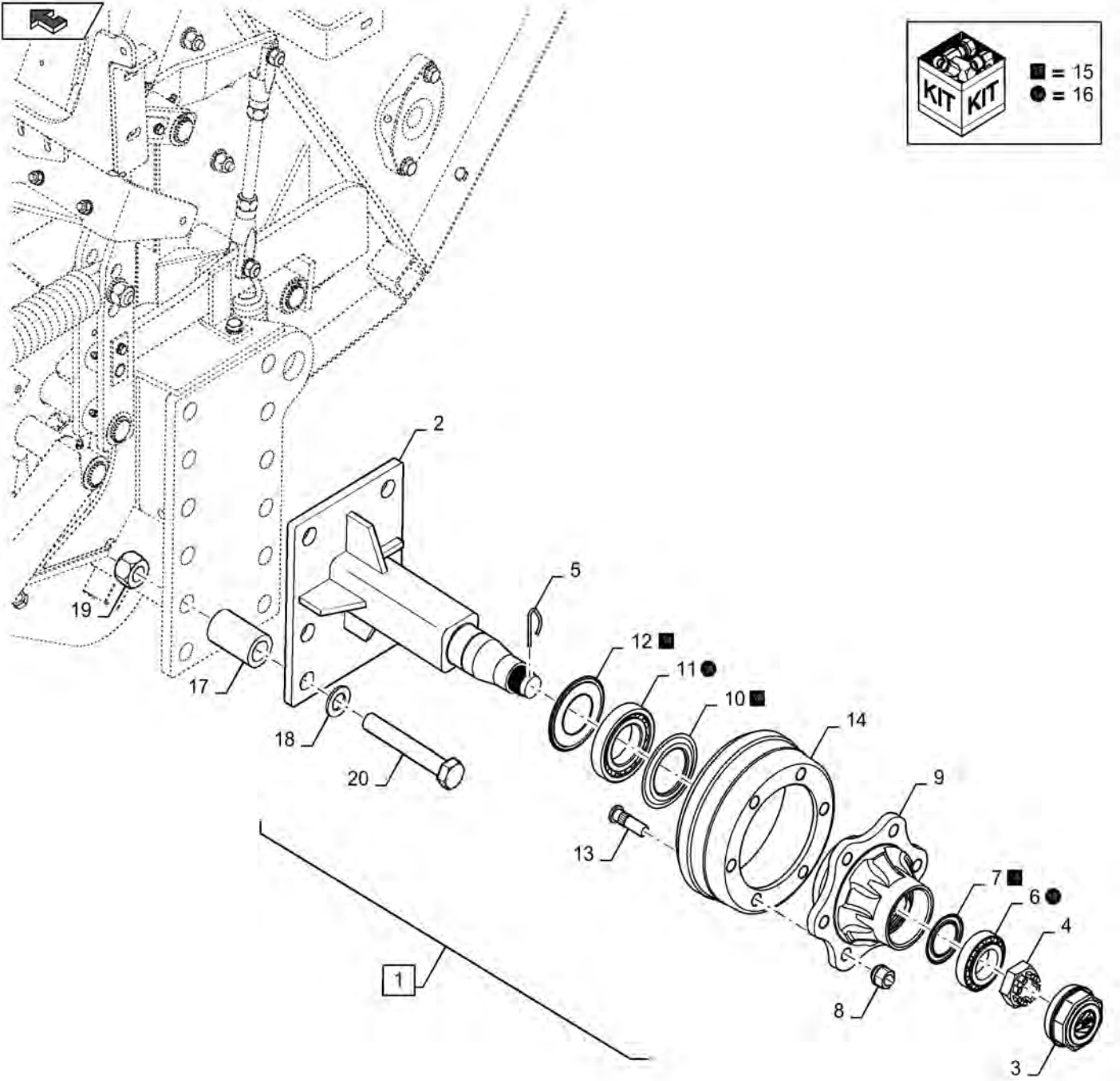
Orkel GP 1270 Kombi/ Orkel GP 1270S

27.550.020

p1

4/2017

WHEEL MOUNTING BRACKET FOR HYDRAULIC BRAKES



WHEEL MOUNTING BRACKET FOR HYDRAULIC BRAKES

REF FN	PART NUMBER	YR/SN	QTY DESCRIPTION
1	1	47493816	2 HUB RH, Incl 2 - 14
1	1	47538474	2 HUB LH, Incl 2 - 14
2		NSS	1 NOT SOLD SEPARAT Bracket, Incl in 1
3		47493135	1 CAP
4		47493134	1 CROWN NUT
5		47493132	1 COTTER PIN
6		47493130	1 BEARING ASSY
7		47493129	1 SEAL
8		47493127	6 NUT
9		47641393	1 KIT
10		47493137	1 SEAL
11		47493138	1 BEARING ASSY
12		47493140	1 SEAL
13		47493142	6 BOLT
14		47641394	1 KIT
15		47637231	1 KIT Incl 6, 11
16		47637235	1 KIT Incl 7, 10, 12
17		47440314	12 SPACER
18		86511327	12 WASHER 21mm ID x 37mm OD x 3mm Thk
19		82020635	12 NUT Prevailing Torque, M20 x 2.5 x 20mm, Cl8
20		412427	12 BOLT Hex, M20 x 2.5 x 130mm, Cl 8.8
(1)	ALSO ON 33.202.010		

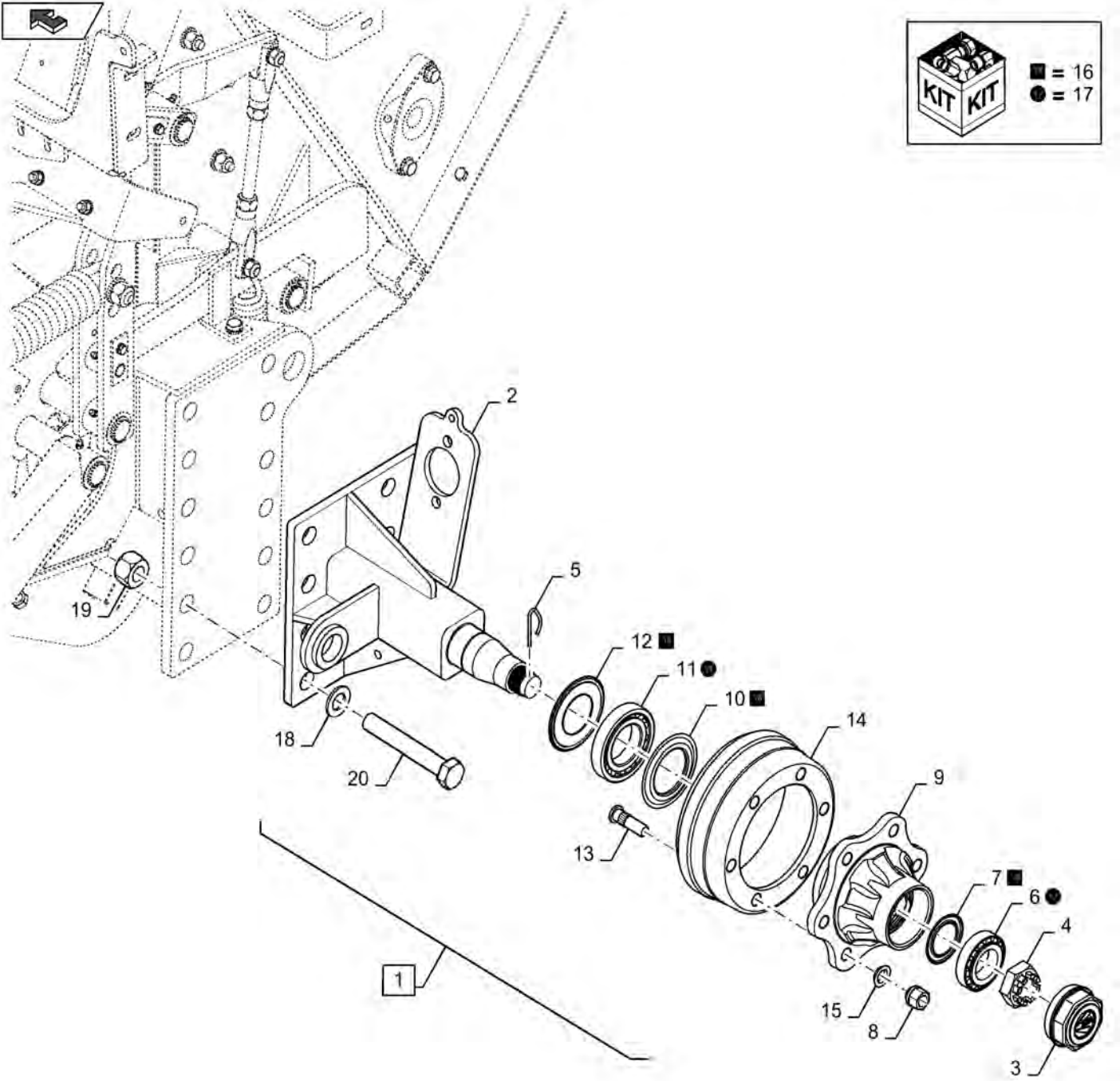
Orkel GP 1270 Kombi/ Orkel GP 1270S

27.550.030

p1

4/2017

WHEEL MOUNTING BRACKET FOR PNEUMATIC BRAKES

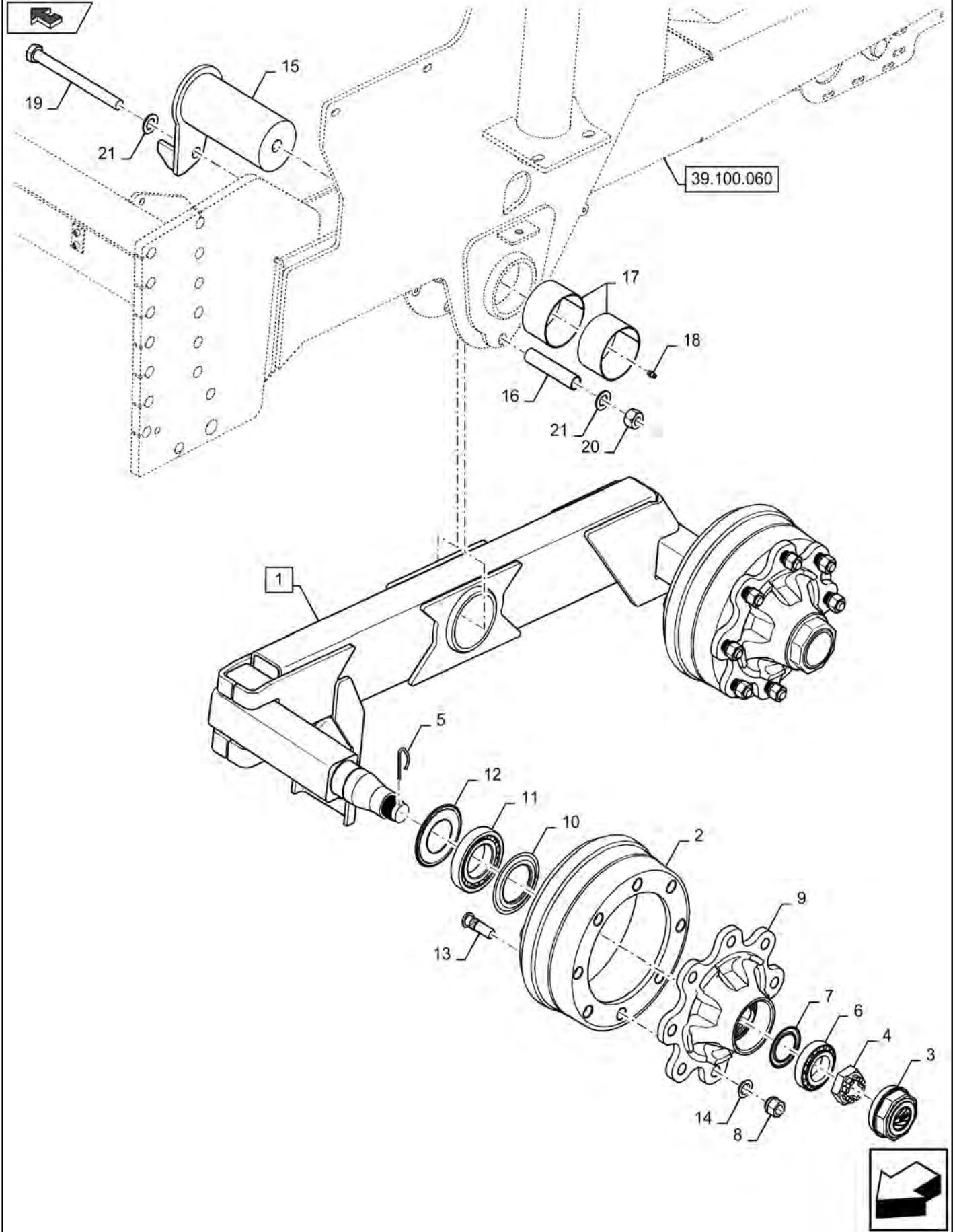


WHEEL MOUNTING BRACKET FOR PNEUMATIC BRAKES

REF FN	PART NUMBER	YR/SN	QTY DESCRIPTION
1	1	47666922	2 HUB LH, Incl 2 - 15
1	1	47666969	2 HUB RH, Incl 2 - 15
2		NSS	1 NOT SOLD SEPARAT Bracket, Incl in 1
3		47493135	1 CAP
4		47681758	1 CROWN NUT
5		47493132	1 COTTER PIN
6		47493130	1 BEARING ASSY
7		47493129	1 SEAL
8		47681768	6 NUT
9		47641393	1 KIT
10		47493137	1 SEAL
11		47493138	1 BEARING ASSY
12		47493140	1 SEAL
13		47493142	6 BOLT
14		47641394	1 KIT
15		47681769	6 SPACER
16		47637235	1 KIT Incl 7, 10, 12
17		47637231	1 KIT Incl 6, 11
18		86511327	12 WASHER 21mm ID x 37mm OD x 3mm Thk
19		725637	12 NUT M20 x 2.5, Cl 8
20		86601713	12 BOLT Hex, M20 x 65mm, Cl 8.8, Full Thd
(1)	ALSO ON 33.300.010		

Orkel GP 1270 Kombi/ Orkel GP 1270S

WHEEL MOUNTING BRACKET



WHEEL MOUNTING BRACKET

REF FN	PART NUMBER	YR/SN	QTY DESCRIPTION
1	^{1,2} 47773667		1 AXLE LH, Incl 2 - 14
1	^{1,2} 47773715		1 AXLE RH, Incl 2 - 14
1	^{3,4} 47820572		1 AXLE LH, Incl 2 - 14
1	^{3,4} 47820569		1 AXLE RH, Incl 2 - 14
2	1 47802439		1 HUB
2	3 47894583		1 DRUM
3	47802434		1 CAP
4	47802433		1 CROWN NUT
5	47802432		1 COTTER PIN
6	47802431		1 BEARING ASSY
7	47802430		1 SEAL
8	1 47493127		8 NUT
8	3 47894571		8 STUD
9	1 47802435		1 HUB
9	3 47894560		1 HUB
10	47802436		1 SEAL
11	47802437		1 BEARING ASSY
12	47802438		1 SEAL
13	1 47493142		8 BOLT
13	3 47894566		8 STUD
14	3 47894575		8 WASHER
15	47673696		1 PIVOT LH
15	47666099		1 PIVOT RH
16	47719774		2 SPACER
17	47668081		4 BUSHING
18	87563868		2 FITTING M8 x 1.17mm
19	44085		2 BOLT Hex, M20 x 220mm OAL, Cl 8.8
20	82020635		2 NUT Prevailing Torque, M20 x 2.5 x 20mm, Cl8
21	86511327		4 WASHER 21mm ID x 37mm OD x 3mm Thk
(1)	FOR HYDRAULICAL BRAKES ONLY		
(2)	ALSO ON 33.202.030		
(3)	FOR PNEUMATIC BRAKES ONLY		
(4)	ALSO ON 33.300.060		

Orkel GP 1270 Kombi/ Orkel GP 1270S

SECTION INDEX

IMPLEMENT POWER TAKE OFF

31.000.00	01	SECTION INDEX - POWER TAKE-OFF
31.201.010		POWER TAKE-OFF
31.220.010		GEARBOX OUTPUT SHAFT COUPLER
31.220.020		GEARBOX

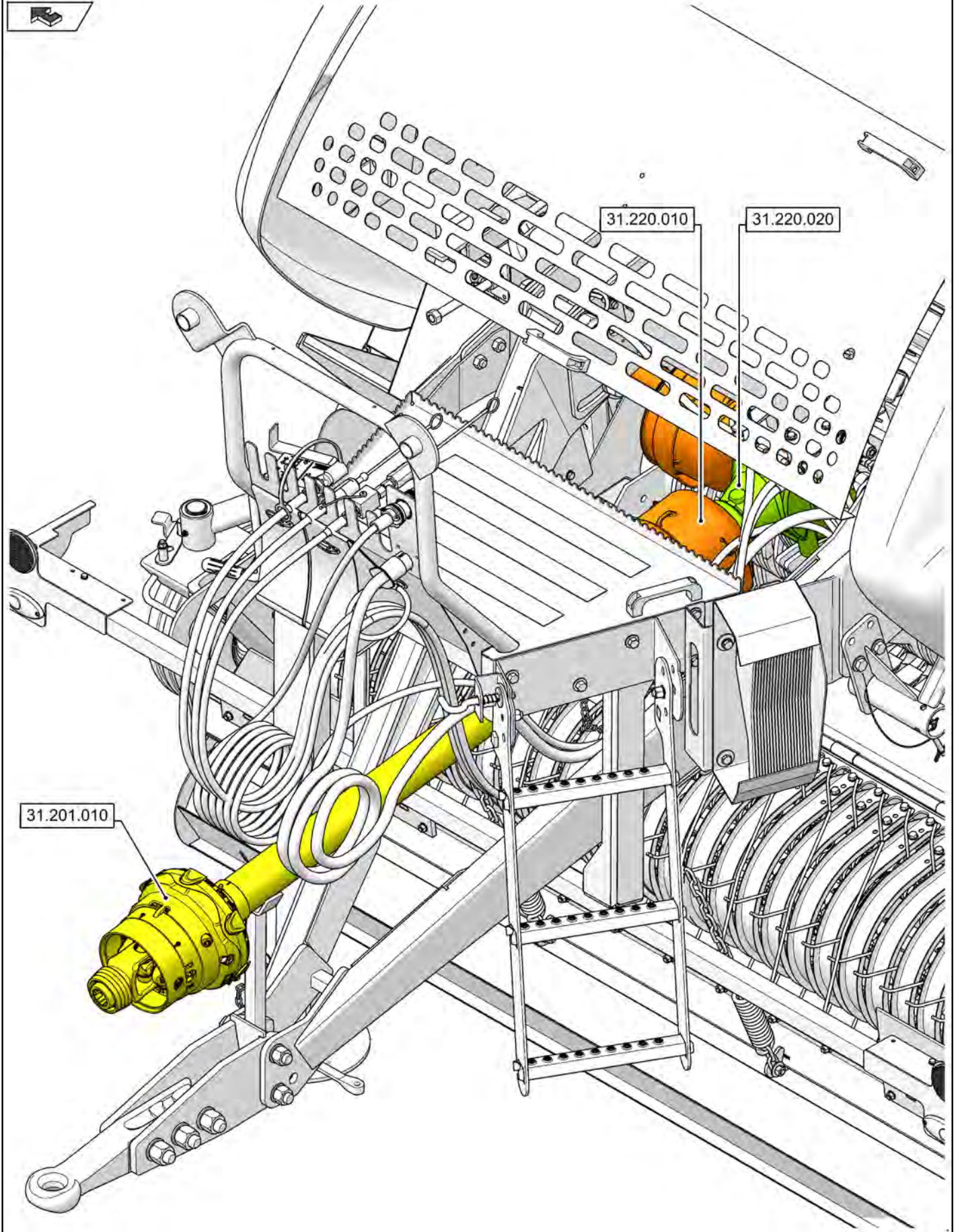
31.000.00

01

p1

4/2017

SECTION INDEX - POWER TAKE-OFF



31.000.00

01

p1

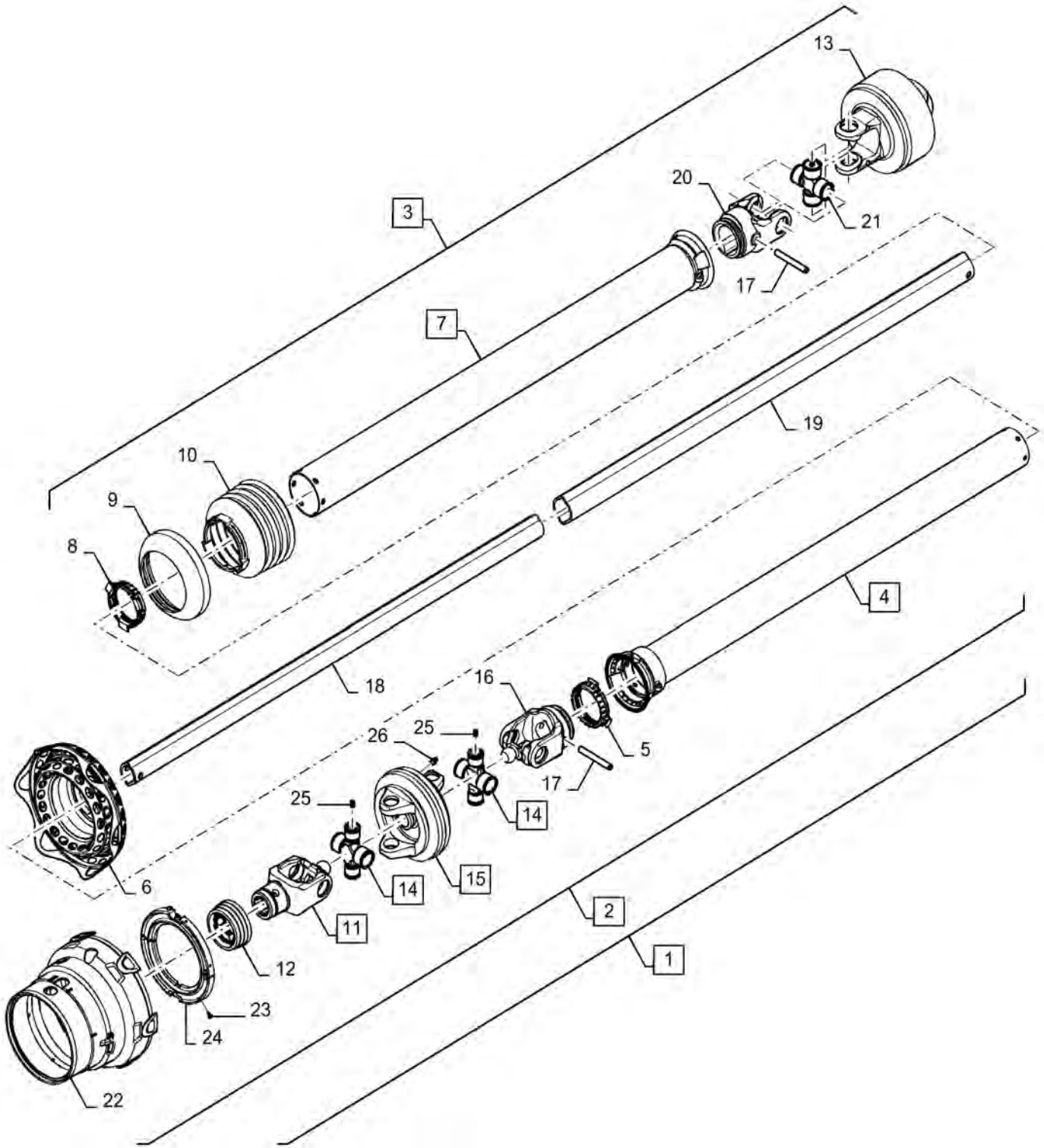
4/2017

SECTION INDEX - POWER TAKE-OFF

REF FN	PART NUMBER	YR/SN	QTY DESCRIPTION
---------------	--------------------	--------------	------------------------

Orkel GP 1270 Kombi/ Orkel GP 1270S

POWER TAKE-OFF

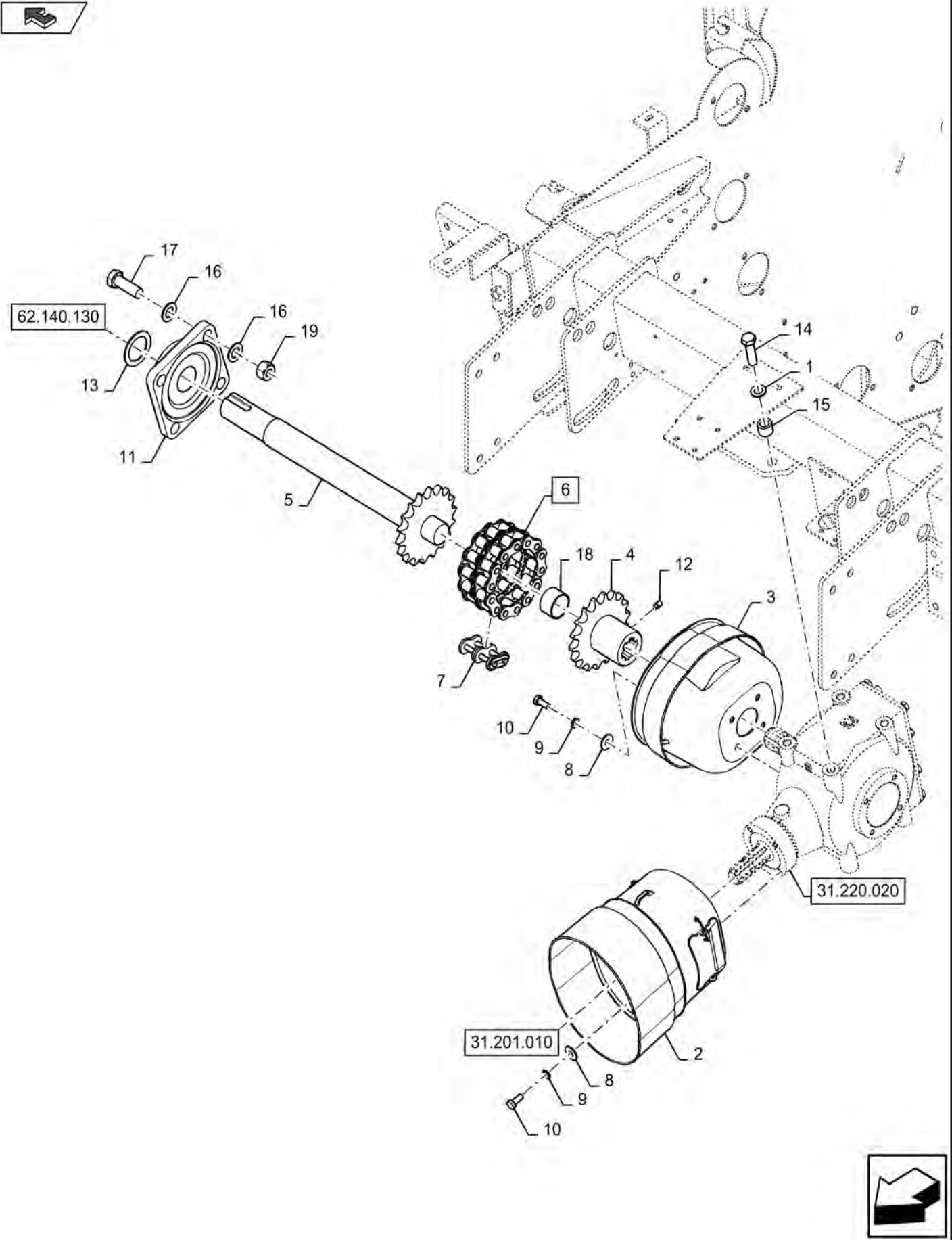


POWER TAKE-OFF

REF FN	PART NUMBER	YR/SN	QTY DESCRIPTION
1	1 47436704		1 SHAFT Incl 2 - 26
2	47452452		1 DRIVE SHAFT Incl 4 - 6, 11 - 12, 14 - 15, 17 - 18, 22 - 24
3	47452455		1 DRIVE SHAFT Incl 7 - 10, 13, 17, 19 - 21
4	47452457		1 GUARD Incl 5 - 6
5	47452484		1 RING
6	47452486		1 GUARD
7	47452458		1 GUARD Incl 8 - 10
8	47452484		1 RING
9	47452488		1 COLLAR
10	47452490		1 GUARD
11	47452459		1 YOKE Incl 12
12	47452460		1 LOCK
13	47452462		1 CLUTCH
14	1 47452464		2 KIT Incl 25
15	47452469		1 YOKE Incl 26
16	47452472		1 YOKE
17	47452473		2 PIN
18	47452474		1 TUBE
19	47452475		1 TUBE
20	47452477		1 YOKE
21	1 47452478		1 KIT
22	47452479		1 GUARD
23	47452480		10 SCREW
24	47452482		1 RING
25	47452466		2 LUBE NIPPLE
26	47452470		1 LUBE NIPPLE
(1)	MAINTENANCE PART		

Orkel GP 1270 Kombi/ Orkel GP 1270S

GEARBOX OUTPUT SHAFT COUPLER



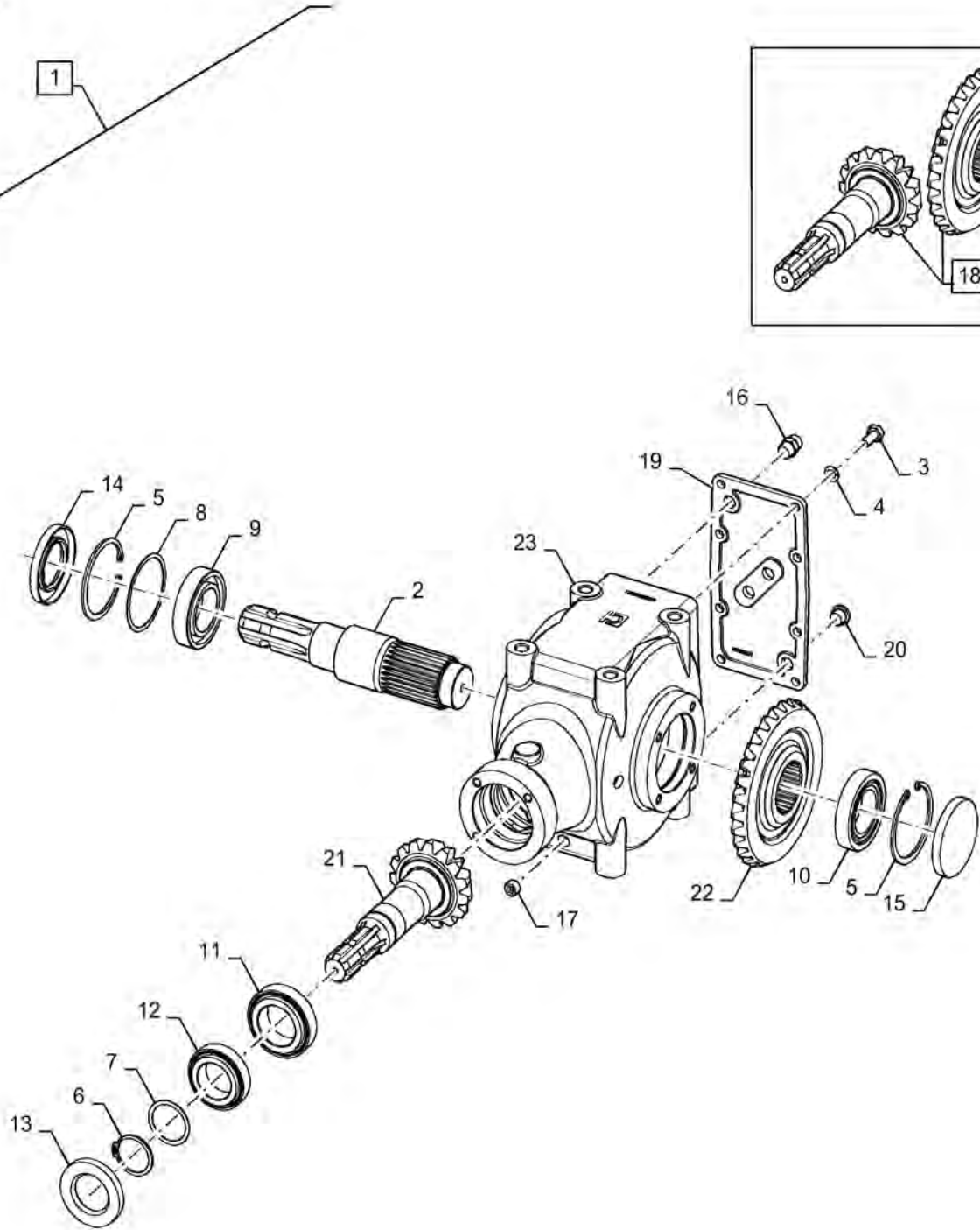
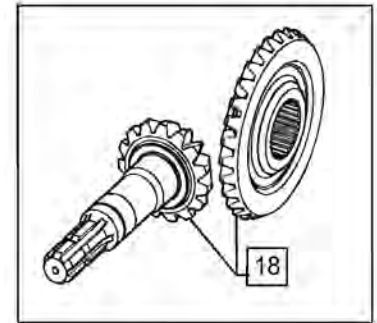
GEARBOX OUTPUT SHAFT COUPLER

REF FN	PART NUMBER	YR/SN	QTY DESCRIPTION
1	86511326		4 WASHER 17mm ID x 30mm OD x 3mm Thk
2	47495214		1 COVER
3	47495215		1 COVER
4	47456974		1 SPROCKET
5	47456978		1 SHAFT
6	1 47963575		1 CHAIN Incl 7
7	1 47963582		1 CONNECTING LINK
8	86642464		8 WASHER 11mm ID x 30mm OD x 2.5mm Thk
9	10571879		8 LOCK WASHER 10.2mm ID x 18.1mm OD x 2.2mm Thk
10	43139		8 BOLT M10 x 1.5 x 25mm, CI 8.8
11	47473196		1 FLANGED BEARING
12	84406851		1 SCREW
13	47473342		1 SHIM 50mm ID x 70mm OD x 3mm Thk
14	9843611		4 BOLT Hex, M16 x 2.0 x 55mm, CI 10.9
15	47473328		4 SPACER 18mm ID x 28mm OD x 20mm L
16	86511327		8 WASHER 21mm ID x 37mm OD x 3mm Thk
17	374890		4 BOLT Hex, M20 x 2.5 x 60mm, CI 8.8, Full Thd
18	47473938		1 BUSHING
19	82020635		4 NUT Prevailing Torque, M20 x 2.5 x 20mm, CI8

(1) MAINTENANCE PART

Orkel GP 1270 Kombi/ Orkel GP 1270S

GEARBOX



GEARBOX

REF FN	PART NUMBER	YR/SN	QTY DESCRIPTION
1	47436701		1 GEARBOX Incl 2 - 23
2	47452666		1 SHAFT
3	47452652		8 BOLT
4	47452651		8 WASHER
5	47452665		2 RING
6	47452677		1 RING
7	47452641		1 SHIM KIT
8	47452669		1 BEARING ASSY
9	47452664		1 BALL BEARING
10	47452649		1 TAPERED BEARING
11	47452673		1 TAPERED BEARING
12	47452675		1 TAPERED BEARING
13	47452630		1 OIL SEAL
14	47452667		1 OIL SEAL
15	47452647		1 CUP
16	47452662		1 OIL SEAL
17	47452645		2 PIPE PLUG
18	47452671		1 BEVEL GEAR Incl 21 - 22
19	47452663		1 COVER
20	47452661		4 PIPE PLUG
21	NSS		1 NOT SOLD SEPARAT Bevel Gear, Incl in 18
22	NSS		1 NOT SOLD SEPARAT Gear, Incl in 18
23	47452644		1 HOUSING

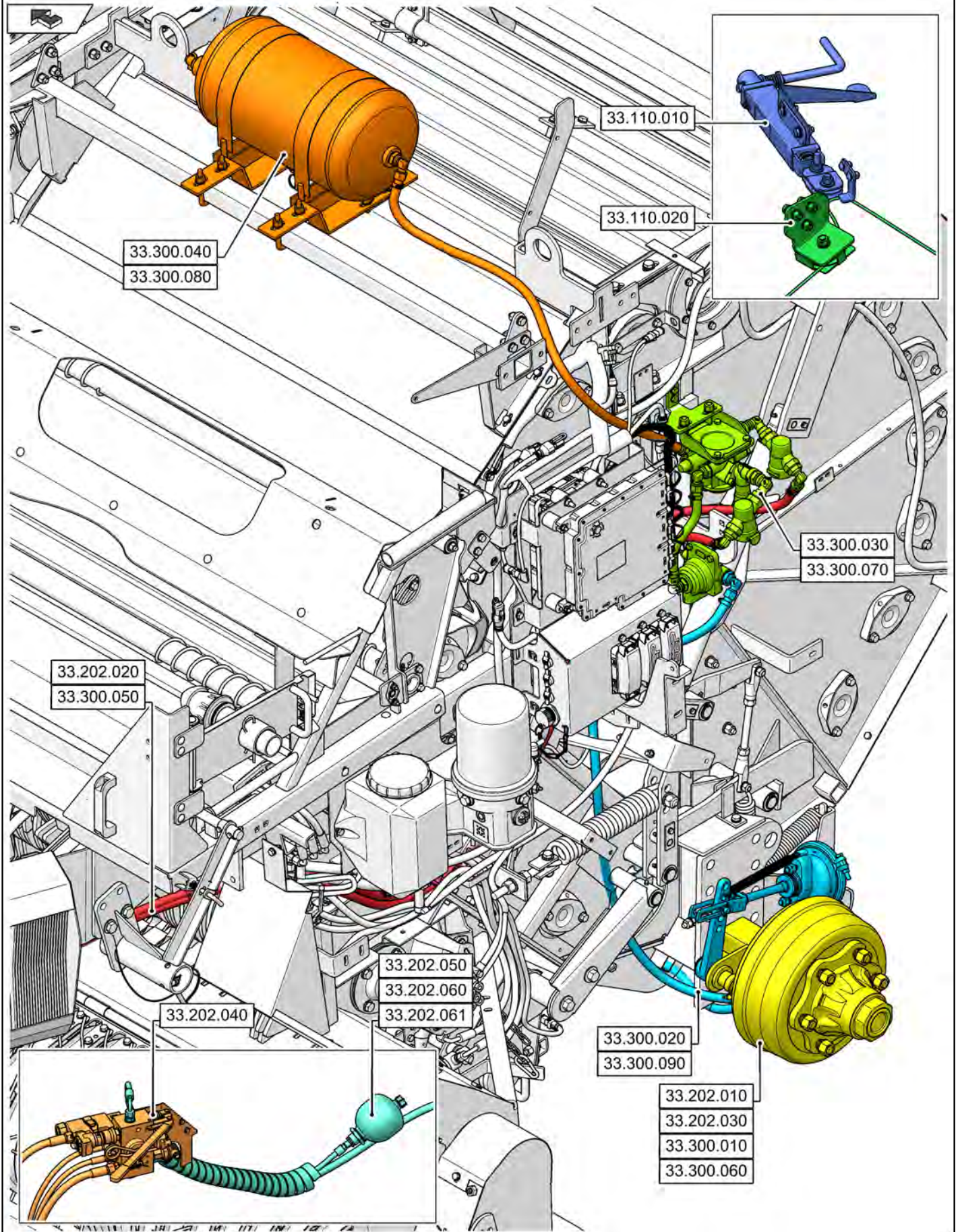
Orkel GP 1270 Kombi/ Orkel GP 1270S

SECTION INDEX

BRAKES & CONTROLS

33.000.00	01	SECTION INDEX - BRAKES AND CONTROLS
33.110.010		PARKING BRAKE
33.110.020		PARKING BRAKE CONTROL
33.202.010		HYDRAULIC BRAKE
33.202.020		HYDRAULIC BRAKE LINES
33.202.030		HYDRAULIC BRAKE
33.202.040		HYDRAULIC BRAKE VALVE
33.202.050		HYDRAULIC BRAKE ACCUMULATOR
33.202.060		HYDRAULIC BRAKE LINES - C7337
33.202.061		HYDRAULIC BRAKE LINES - D7338
33.300.010		PNEUMATIC BRAKE
33.300.020		PNEUMATIC BRAKE CYLINDER
33.300.030		PNEUMATIC BRAKE VALVES
33.300.040		PNEUMATIC BRAKE RESERVOIR
33.300.050		PNEUMATIC BRAKE COUPLING
33.300.060		PNEUMATIC BRAKE
33.300.070		PNEUMATIC BRAKE VALVES
33.300.080		PNEUMATIC BRAKE RESERVOIR
33.300.090		PNEUMATIC BRAKE CYLINDER

SECTION INDEX - BRAKES AND CONTROLS



33.000.00

01

p1

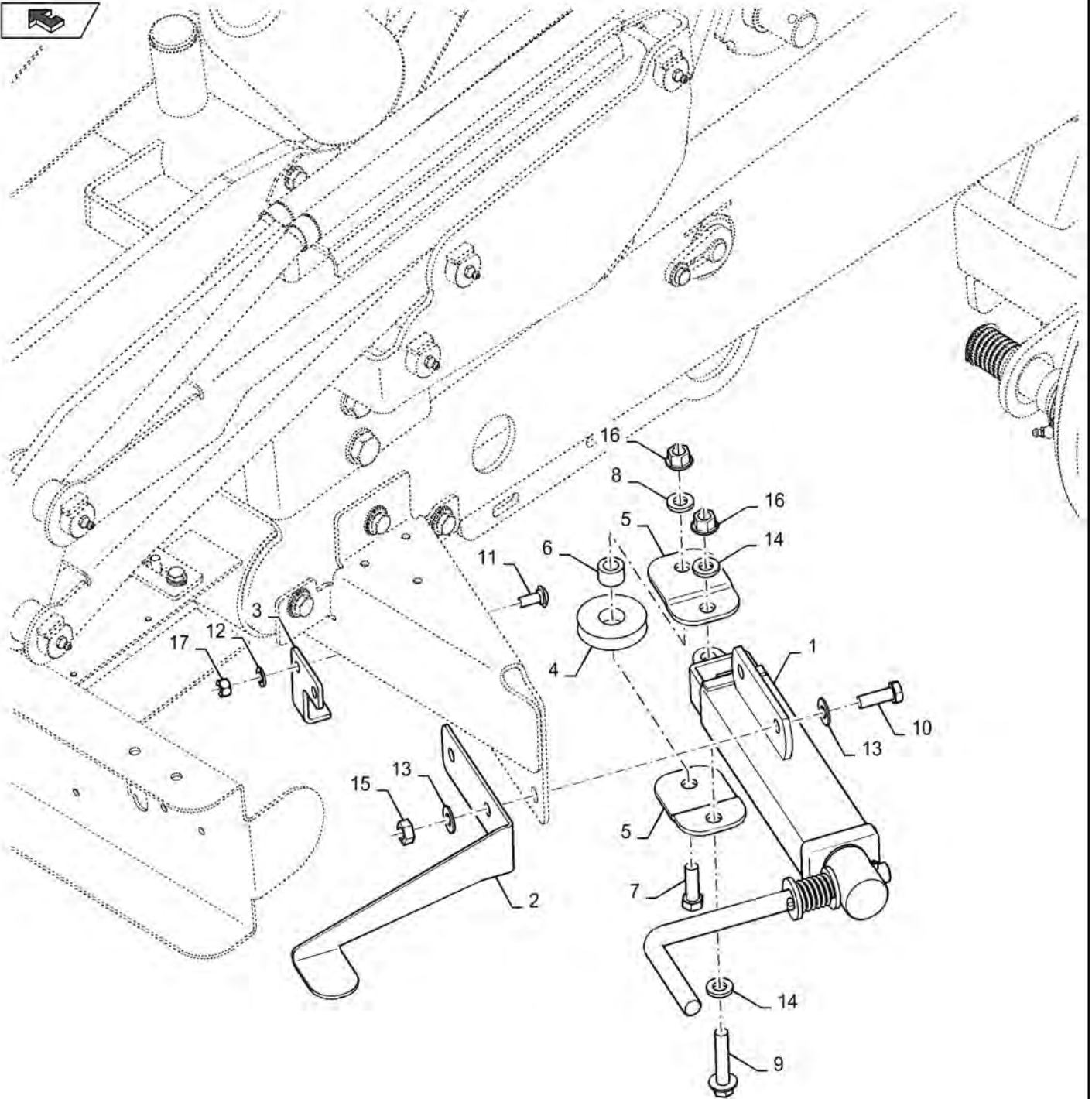
4/2017

SECTION INDEX - BRAKES AND CONTROLS

REF FN	PART NUMBER	YR/SN	QTY DESCRIPTION
---------------	--------------------	--------------	------------------------

Orkel GP 1270 Kombi/ Orkel GP 1270S

PARKING BRAKE

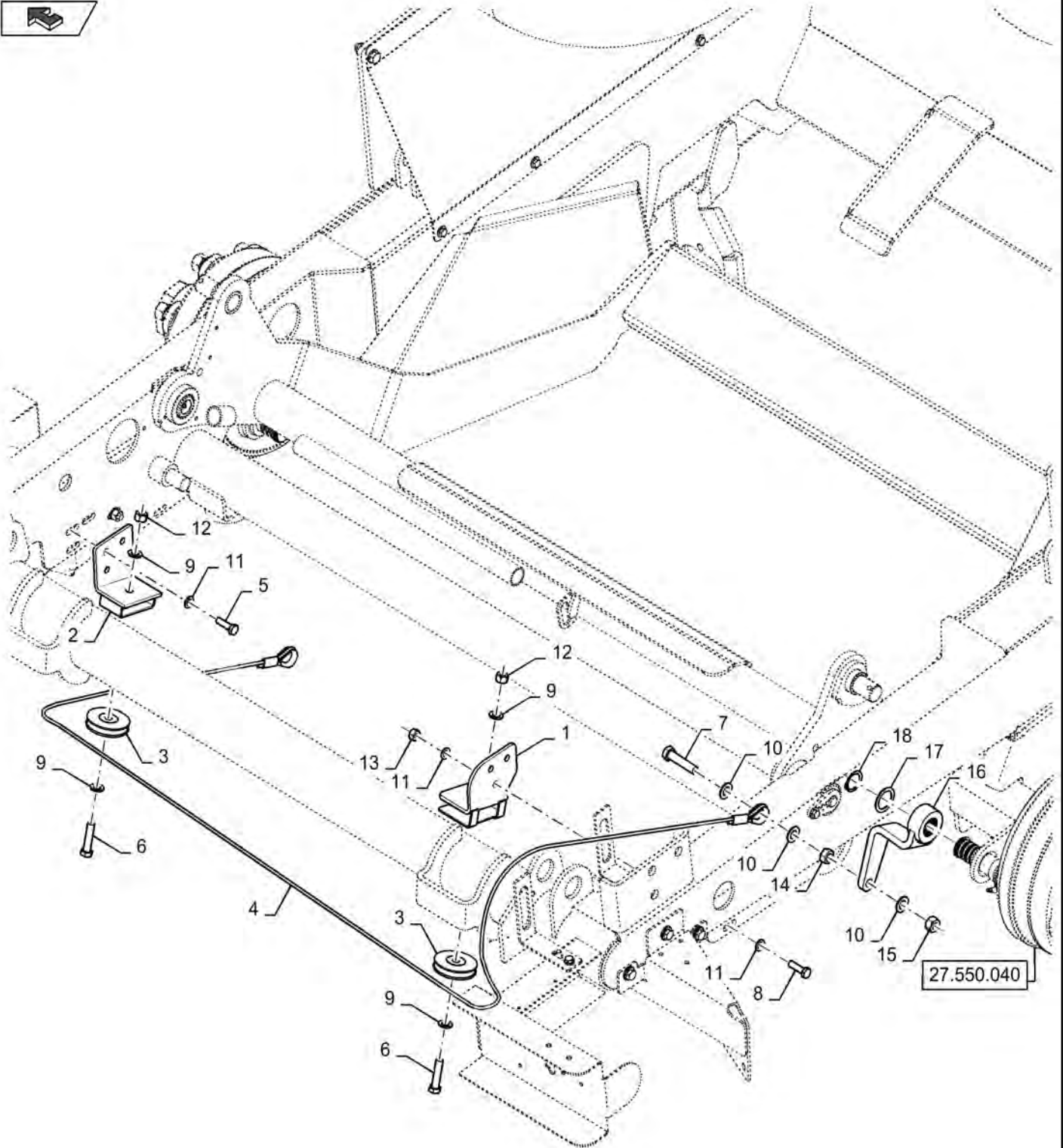


PARKING BRAKE

REF FN	PART NUMBER	YR/SN	QTY DESCRIPTION
1	84274758		1 HAND BRAKE
2	47897363		1 SUPPORT
3	47926827		1 SUPPORT
4	84078395		1 ROLLER 60mm OD x 11.5mm L
5	84477606		2 PLATE
6	9838358		1 BUSHING 13mm ID x 22mm OD x 13mm L
7	300389		1 BOLT M12 x 1.75 x 35mm, CI 8.8
8	140046		1 BELLEVILLE WASHER M12 Bolt Size x 27mm OD x 1.8mm Thk
9	86508454		1 BOLT Hex Flg, M12 x 55, 8.8
10	43140		2 BOLT Hex, M10 x 1.5 x 30mm, CI 8.8
11	86507486		2 CARRIAGE BOLT M8 x 1.25 x 20mm, CI 8.8
12	86624184		2 WASHER 9mm ID x 16mm OD x 1.6mm Thk
13	140045		4 BELLEVILLE WASHER M10 Bolt Size x 22mm OD x 1.6mm Thk
14	86588502		2 WASHER 13mm ID x 25mm OD x 3mm Thk
15	100016		2 NUT M10 x 1.5, CI 8
16	9804279		2 FLANGE NUT Hex, M12, CI 8
17	437013		2 NUT

Orkel GP 1270 Kombi/ Orkel GP 1270S

PARKING BRAKE CONTROL



27.550.040

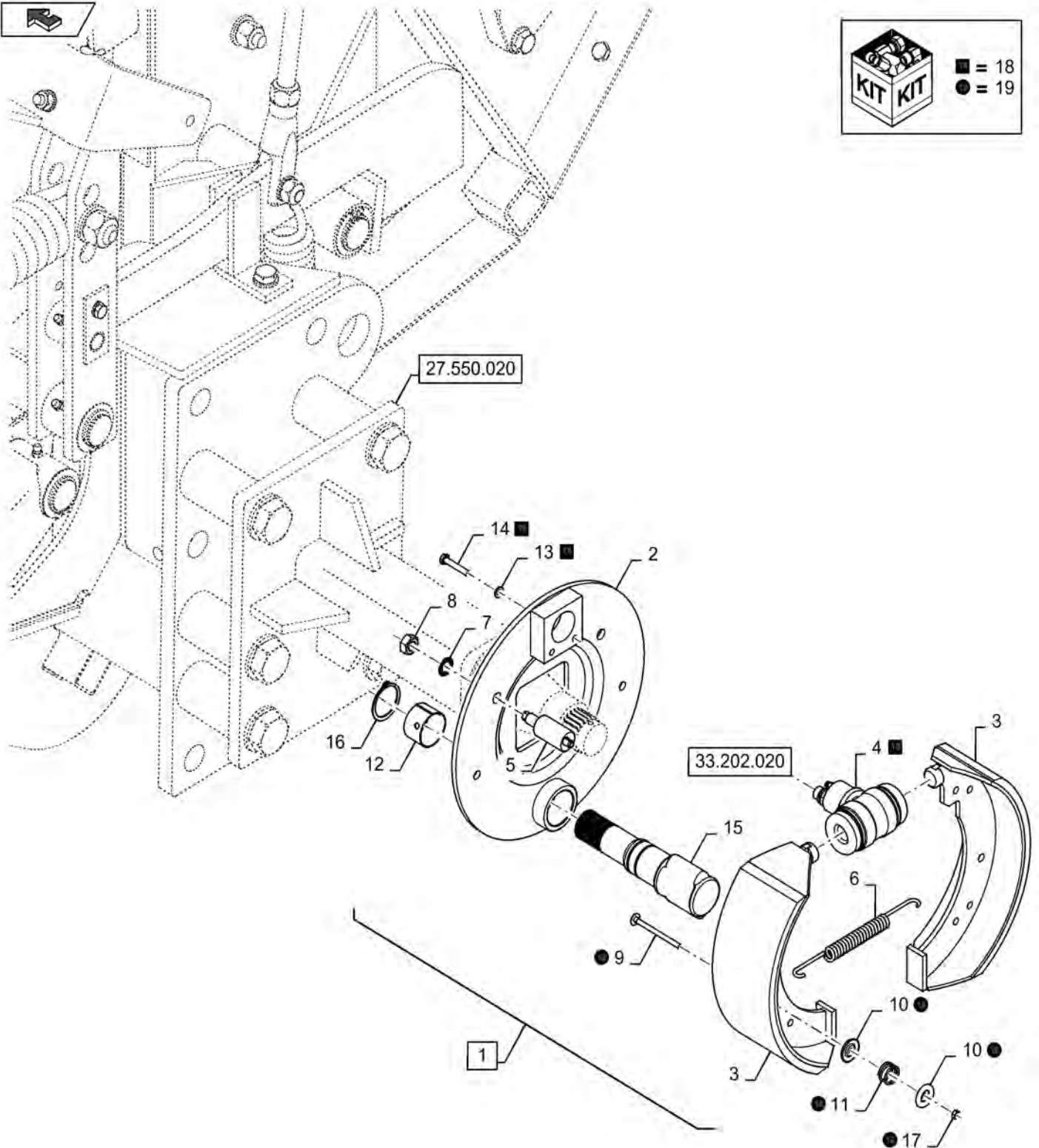
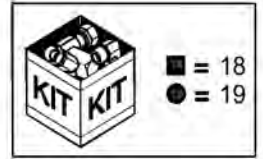


PARKING BRAKE CONTROL

REF FN	PART NUMBER	YR/SN	QTY DESCRIPTION
1	47787711		1 SUPPORT
2	47772299		1 SUPPORT
3	47504715		2 ROLLER
4	47772303		1 WIRE ROPE
5	43140		2 BOLT Hex, M10 x 1.5 x 30mm, CI 8.8
6	9706702		2 BOLT Hex, M12 x 1.75 x 50mm, CI 8.8
7	86523012		2 BOLT Hex, M14 x 2 x 60mm, CI 8.8
8	9706704		4 BOLT Hex, M10 x 1.5 x 41.58mm, CI 8.8
9	86511324		4 WASHER 13mm ID x 24mm OD x 2.5mm Thk
10	86511325		6 WASHER 15mm ID x 28mm OD x 2.5mm Thk
11	86624176		12 WASHER 11mm ID x 20mm OD x 2mm Thk
12	84278115		2 NUT
13	84100524		6 NUT M10 x 1.5, CI 8
14	86508817		2 NUT M14, CI 8
15	12577311		2 LOCK NUT Prevailing Torque, M14 x 2.0 x 16.6mm, CI8, ZND
16	48022971		2 LEVER
17	47693800		2 WASHER
18	9840045		2 CIRCLIP M32, Ext

Orkel GP 1270 Kombi/ Orkel GP 1270S

HYDRAULIC BRAKE



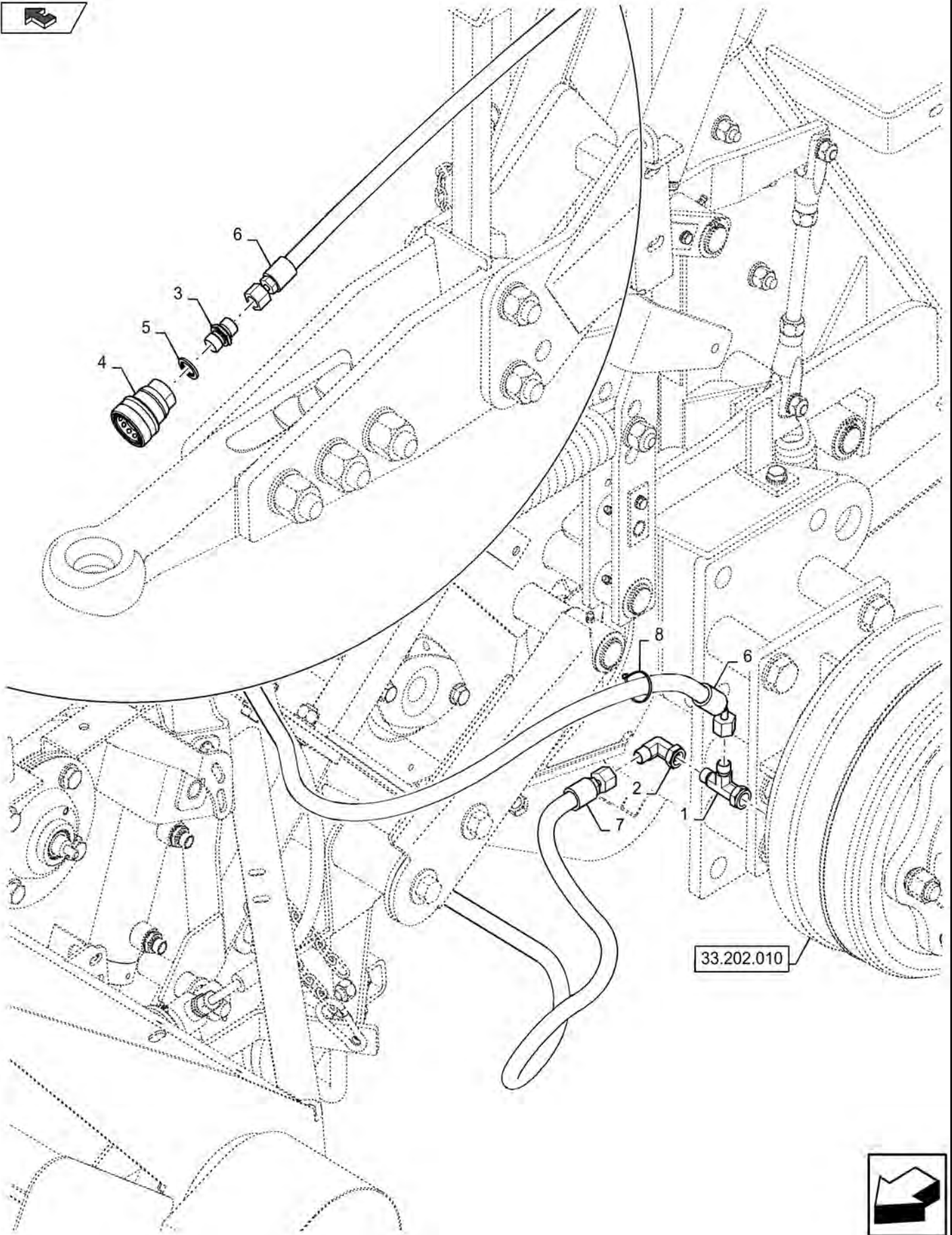
HYDRAULIC BRAKE

REF	FN	PART NUMBER	YR/SN	QTY DESCRIPTION
1	1	47493816		2 HUB LH, Incl 2 - 17
1	1	47538474		2 HUB RH, Incl 2 - 17
2		47493143		1 PLATE
3		47493144		2 BRAKE SHOE
4		47493146		1 HYDRAULIC CYLINDER
5		47493147		2 PIN
6		47493148		2 SPRING
7		47493149		2 WASHER
8		47493151		2 NUT
9		47493152		2 BOLT
10		47493153		4 CUP
11		47493154		2 SPRING
12		47493155		1 BUSHING
13		47493156		2 WASHER
14		47493157		2 SCREW
15		47493158		1 CAMSHAFT
16		47493159		1 CIRCLIP
17		NSS		2 NOT SOLD SEPARAT Nut, Incl in 9
18		47637258		1 KIT Incl 6, 9 - 11, 17
19		47637256		1 KIT Incl 3, 12 - 13

(1) ALSO ON 27.550.020

Orkel GP 1270 Kombi/ Orkel GP 1270S

HYDRAULIC BRAKE LINES



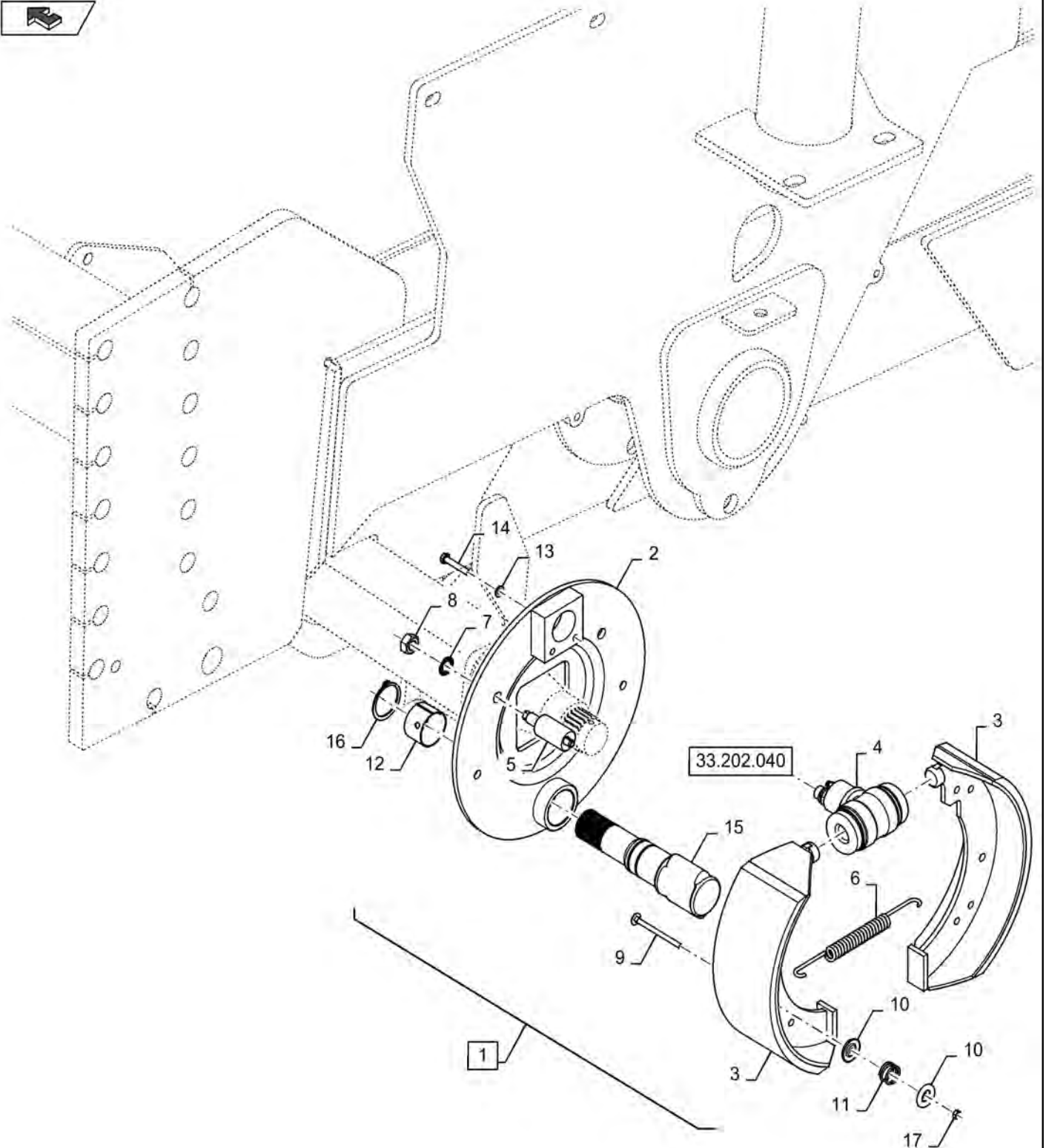
33.202.010

HYDRAULIC BRAKE LINES

REF FN	PART NUMBER	YR/SN	QTY DESCRIPTION
1	47498141		1 RUN TEE
2	47497798		1 90 ELBOW
3	47489346		1 UNION
4	47508037		1 COUPLING, QUICK, FEM
5	47490084		1 WASHER
6	47512160		1 HYDRAULIC HOSE 6.4mm ID x 5000mm L, SAE 100R16 L=5M
7	47512161		1 HYDRAULIC HOSE 6.4mm ID x 2400mm L, SAE 100R16 L=2.4M
8	L11541		6 CABLE TIE 203.2mm L, Nylon

Orkel GP 1270 Kombi/ Orkel GP 1270S

HYDRAULIC BRAKE



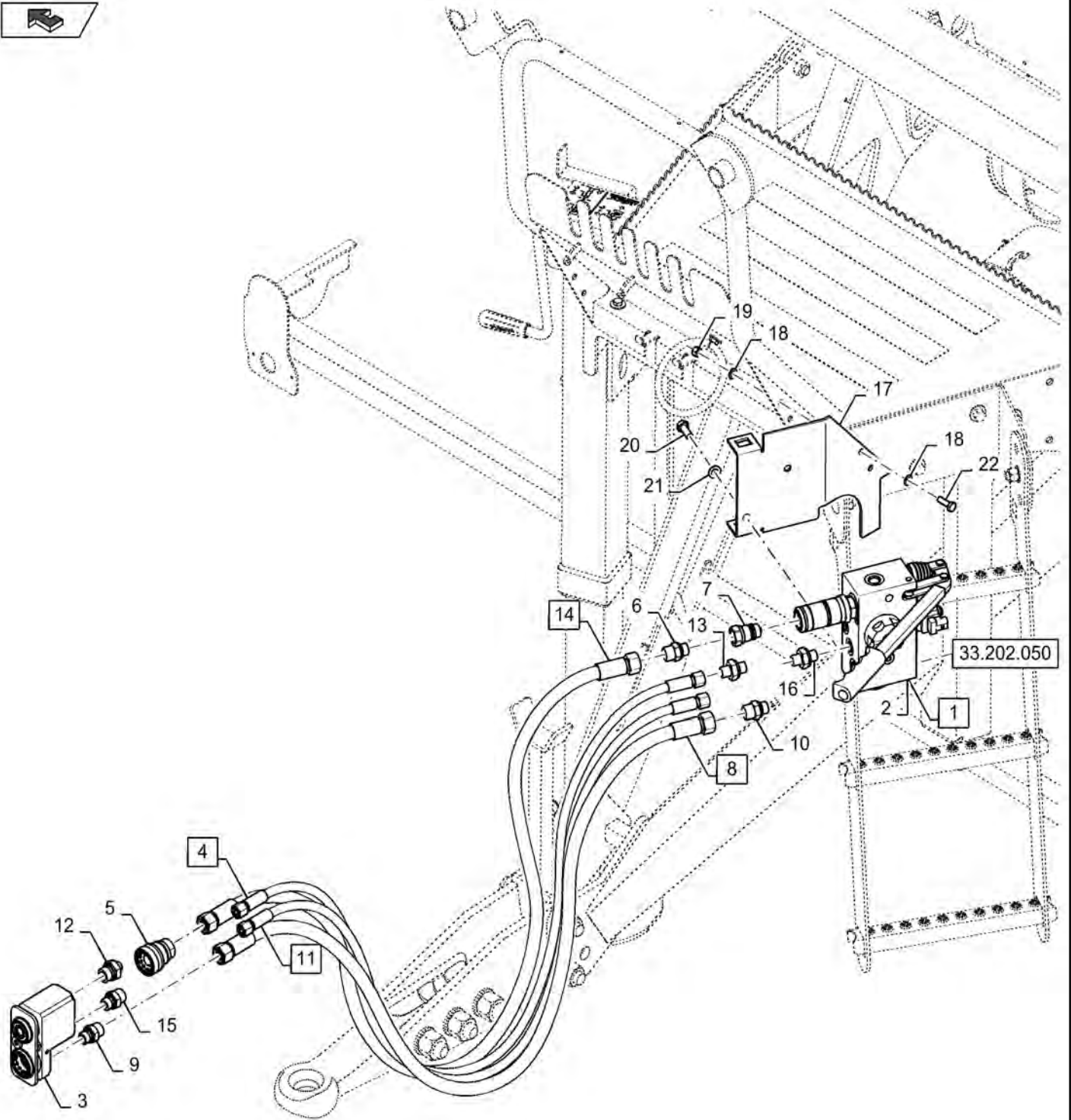
HYDRAULIC BRAKE

REF	FN	PART NUMBER	YR/SN	QTY	DESCRIPTION
1	1	47773060		4	BRAKE DRUM Incl 2 - 14
2		47802423		1	PLATE
3		47493144		2	BRAKE SHOE
4		47802424		1	MASTER CYLINDER
5		47493147		2	PIN
6		47802425		2	SPRING
7		47802426		2	WASHER
8		47493151		2	NUT
9		47493152		2	BOLT
10		47493153		4	CUP
11		47802427		2	SPRING
12		47493155		1	BUSHING
13		47802428		2	WASHER
14		47802429		2	SCREW
15		47493158		1	CAMSHAFT
16		47493159		1	CIRCLIP
17		NSS		2	NOT SOLD SEPARAT Nut, Incl in 9

(1) ALSO ON 27.550.040

Orkel GP 1270 Kombi/ Orkel GP 1270S

HYDRAULIC BRAKE VALVE

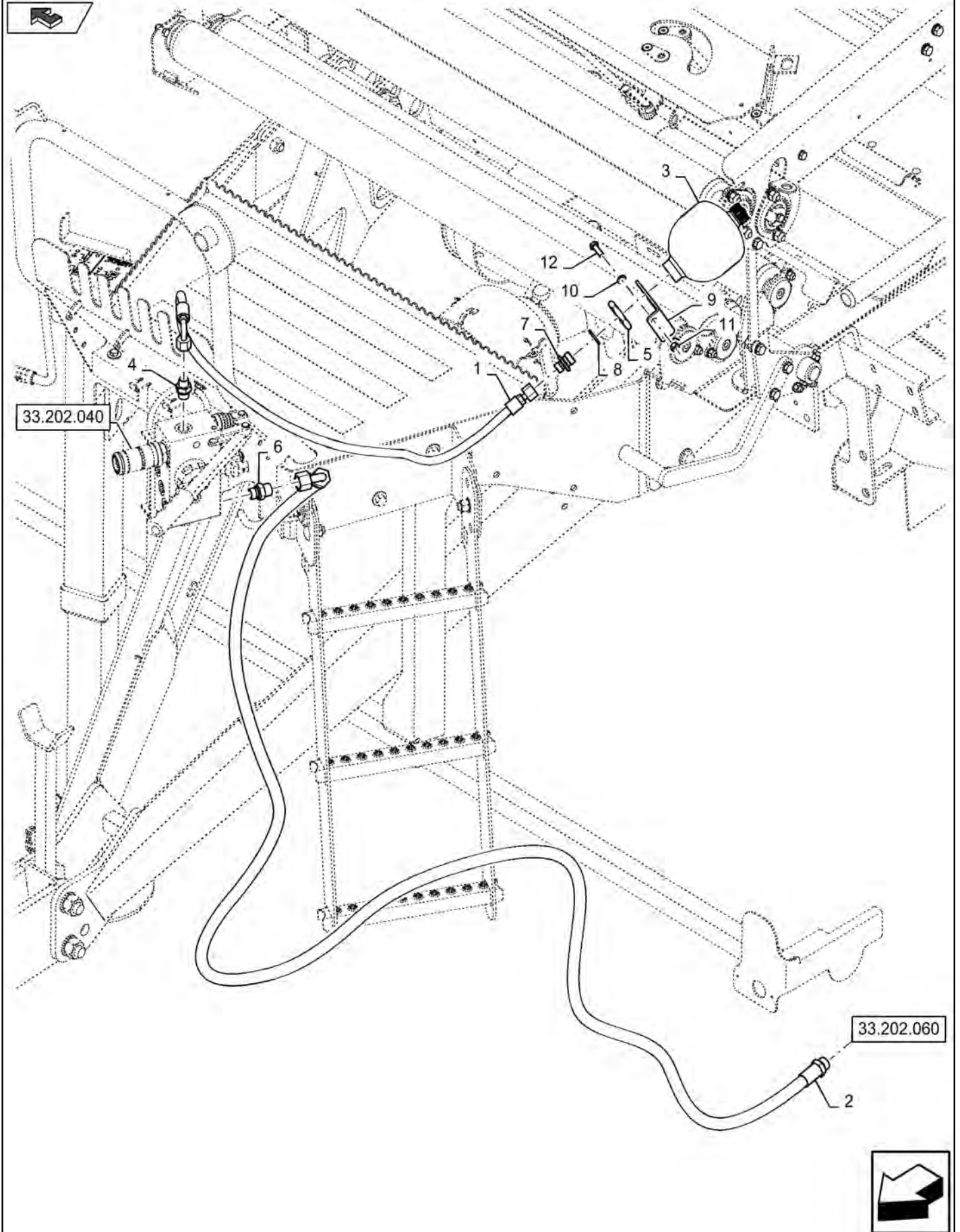


HYDRAULIC BRAKE VALVE

REF FN	PART NUMBER	YR/SN	QTY DESCRIPTION
1	47933699		1 VALVE Incl 2
2	48016064		1 SEAL
3	48015944		1 HOSE
4	48015945		1 HOSE Incl 5 - 7
5	48016069		1 COUPLING
6	48016070		2 FITTING
7	47511493		1 COUPLING
8	48015944		1 HOSE Incl 9 - 10
9	48016067		1 FITTING
10	48016068		1 FITTING
11	48015946		1 HOSE incl 12 - 13
12	48016082		1 FITTING
13	48016083		1 FITTING
14	48015947		1 HOSE Incl 15 - 16
15	48016084		1 FITTING
16	48016083		1 FITTING
17	48009106		1 PLATE
18	86624184		4 WASHER 9mm ID x 16mm OD x 1.6mm Thk
19	437013		2 NUT
20	43139		2 BOLT M10 x 1.5 x 25mm, Cl 8.8
21	86624176		2 WASHER 11mm ID x 20mm OD x 2mm Thk
22	43127		2 BOLT Hex, M8 x 1.25 x 25mm, Cl 8.8

Orkel GP 1270 Kombi/ Orkel GP 1270S

HYDRAULIC BRAKE ACCUMULATOR



HYDRAULIC BRAKE ACCUMULATOR

REF FN	PART NUMBER	YR/SN	QTY DESCRIPTION
1	48016586		1 HYDRAULIC HOSE
2	48016630		1 HYDRAULIC HOSE
3	48016027		1 ACCUMULATOR
4	47498893		1 HYD CONNECTOR
5	47692580		1 NUT
6	47497769		1 HYD CONNECTOR
7	47499783		1 UNION
8	47490086		1 WASHER
9	48009108		1 BRACKET
10	86624184		2 WASHER 9mm ID x 16mm OD x 1.6mm Thk
11	437013		2 NUT
12	43127		2 BOLT Hex, M8 x 1.25 x 25mm, Cl 8.8

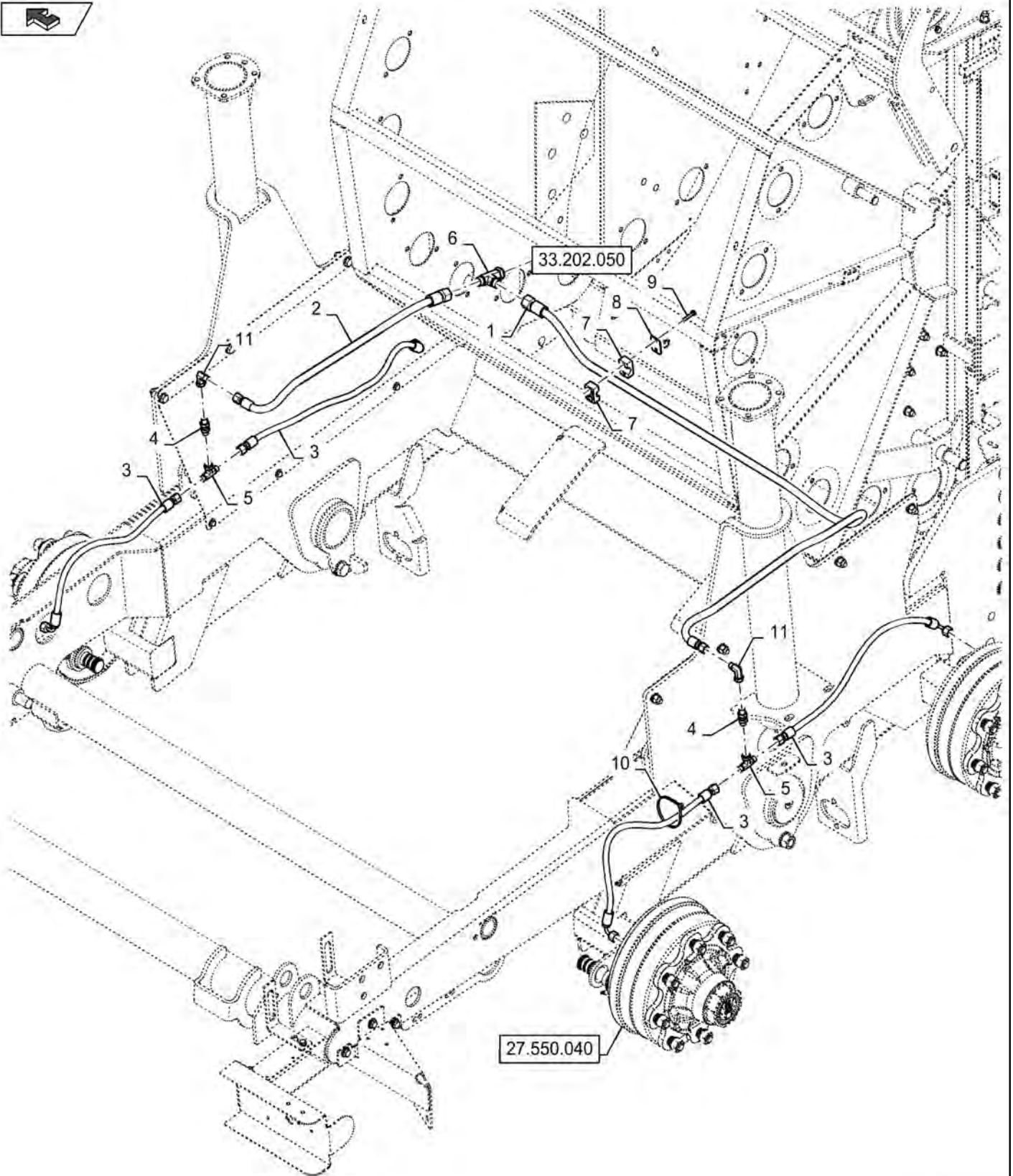
Orkel GP 1270 Kombi/ Orkel GP 1270S

33.202.060

p1

4/2017

HYDRAULIC BRAKE LINES - C7337



HYDRAULIC BRAKE LINES - C7337

REF FN	PART NUMBER	YR/SN	QTY DESCRIPTION
1	48020335		1 HYDRAULIC HOSE
2	48020334		1 HYDRAULIC HOSE
3	47551168		4 HYDRAULIC HOSE
4	47552618		2 UNION
5	47530741		2 RUN TEE
6	47498145		1 RUN TEE
7	47493813		2 CLAMP
8	47493814		2 PLATE
9	15212521		4 BOLT Hex, M6 x 35mm, Cl 8.8, Full Thd
10	86566990		5 CABLE TIE 292mm OAL x 4.8mm W
11	47497798		2 90 ELBOW

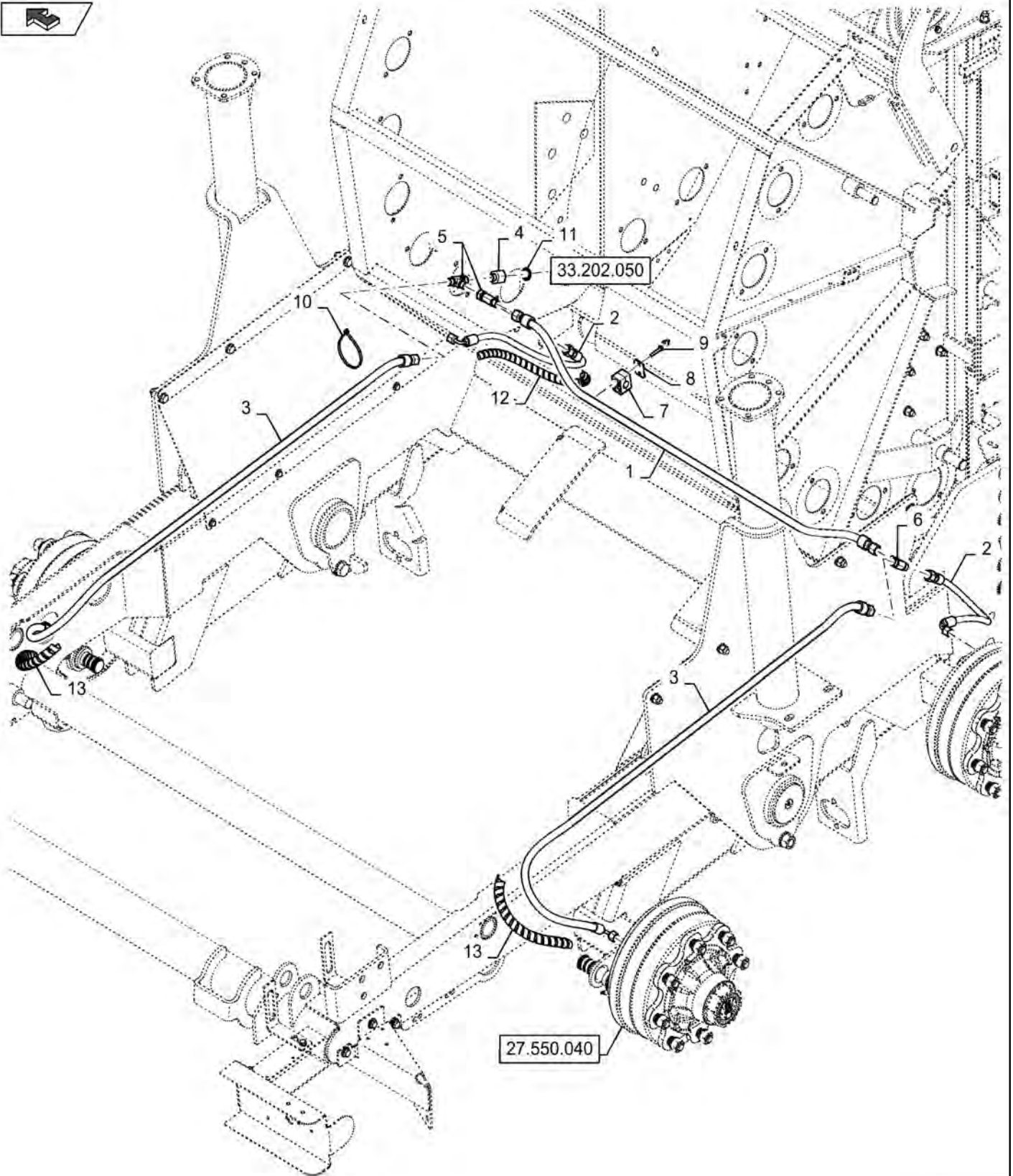
Orkel GP 1270 Kombi/ Orkel GP 1270S

33.202.061

p1

4/2017

HYDRAULIC BRAKE LINES - D7338

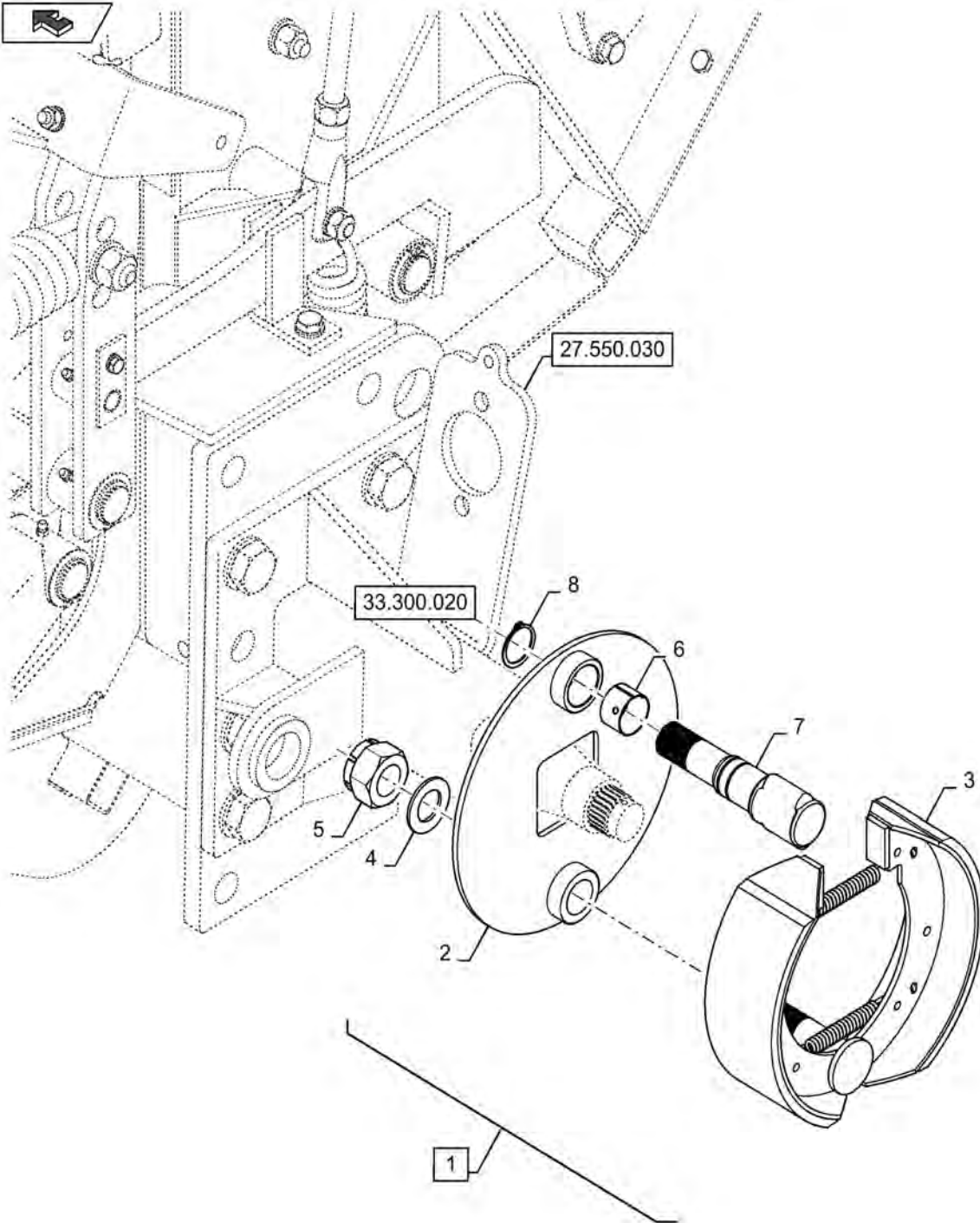


HYDRAULIC BRAKE LINES - D7338

REF FN	PART NUMBER	YR/SN	QTY DESCRIPTION
1	48105639		1 HYDRAULIC HOSE
2	48105640		2 HYDRAULIC HOSE
3	48105641		2 HYDRAULIC HOSE
4	48105756		1 HYD CONNECTOR
5	48105718		2 NUT
6	47499064		1 UNION TEE
7	47493813		2 CLAMP
8	47493814		2 PLATE
9	15212521		4 BOLT Hex, M6 x 35mm, Cl 8.8, Full Thd
10	86566990		1 CABLE TIE 292mm OAL x 4.8mm W
11	47490086		1 WASHER
12	47507971		2 TUBE L=0.4M
13	47507973		2 SHIELD L=0.4M

Orkel GP 1270 Kombi/ Orkel GP 1270S

PNEUMATIC BRAKE



PNEUMATIC BRAKE

REF	FN	PART NUMBER	YR/SN	QTY	DESCRIPTION
1	1	47666922		2	HUB LH, Incl 2 - 8
1	1	47666969		2	HUB RH, Incl 2 - 8
2		47681709		1	PLATE
3		47681712		2	BRAKE SHOE
4		47681716		1	WASHER
5		47681718		1	NUT
6		47493155		1	BUSHING
7		47681722		1	CAMSHAFT
8		47493159		1	CIRCLIP

(1) ALSO ON 27.550.030

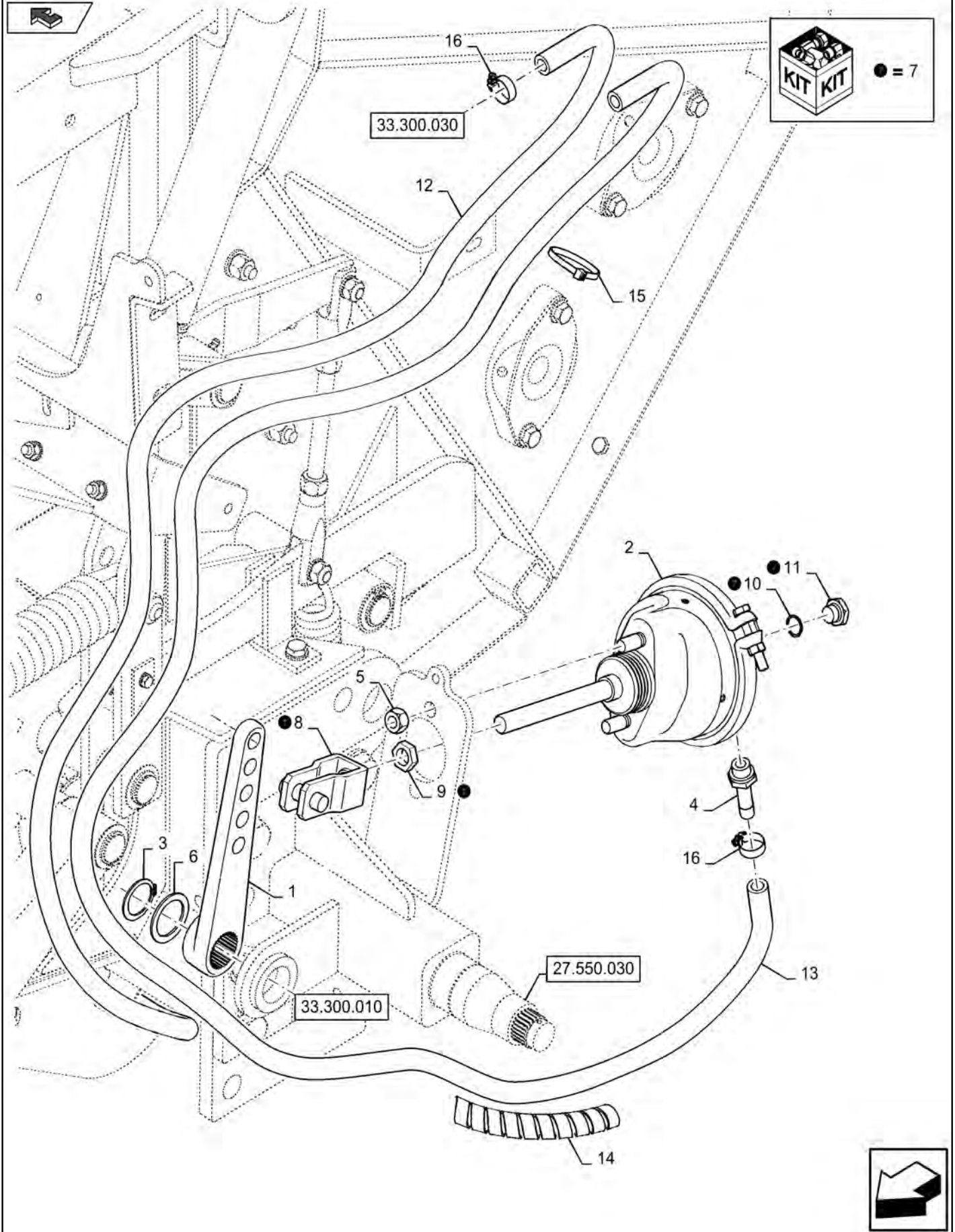
Orkel GP 1270 Kombi/ Orkel GP 1270S

33.300.020

p1

4/2017

PNEUMATIC BRAKE CYLINDER

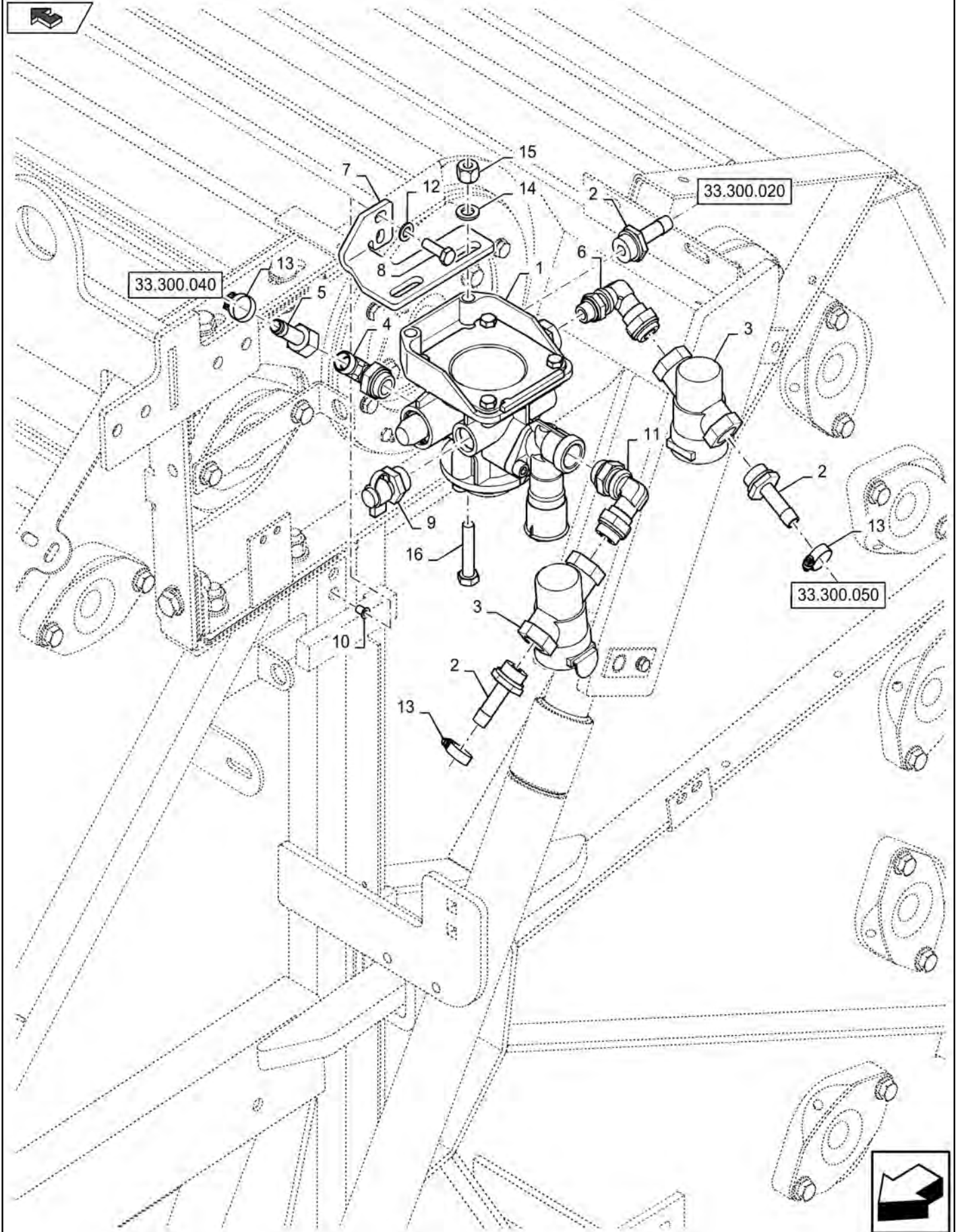


PNEUMATIC BRAKE CYLINDER

REF FN	PART NUMBER	YR/SN	QTY DESCRIPTION
1	47670574		2 LEVER
2	47666972		2 DIAPHRAGM
3	9840045		2 CIRCLIP M32, Ext
4	9512534		2 HYD CONNECTOR
5	330327		4 NUT M12 x 1.5, CI 8
6	47693800		2 WASHER
7	84078897		2 KIT Incl 8 - 11
8	84014245		1 YOKE
9	364164		1 THIN NUT Thin, M16 x 1.5, CI 04
10	84014312		1 RING
11	84014311		1 PLUG
12	84014198		1 HOSE 18mm OD x 3.5mm Thk L=3.7M
13	84014198		1 HOSE 18mm OD x 3.5mm Thk L=2.1M
14	47507971		3 TUBE L=0.3M
15	86566989		4 CABLE TIE 208mm L
16	326082		4 CLAMP 18mm - 25mm

Orkel GP 1270 Kombi/ Orkel GP 1270S

PNEUMATIC BRAKE VALVES



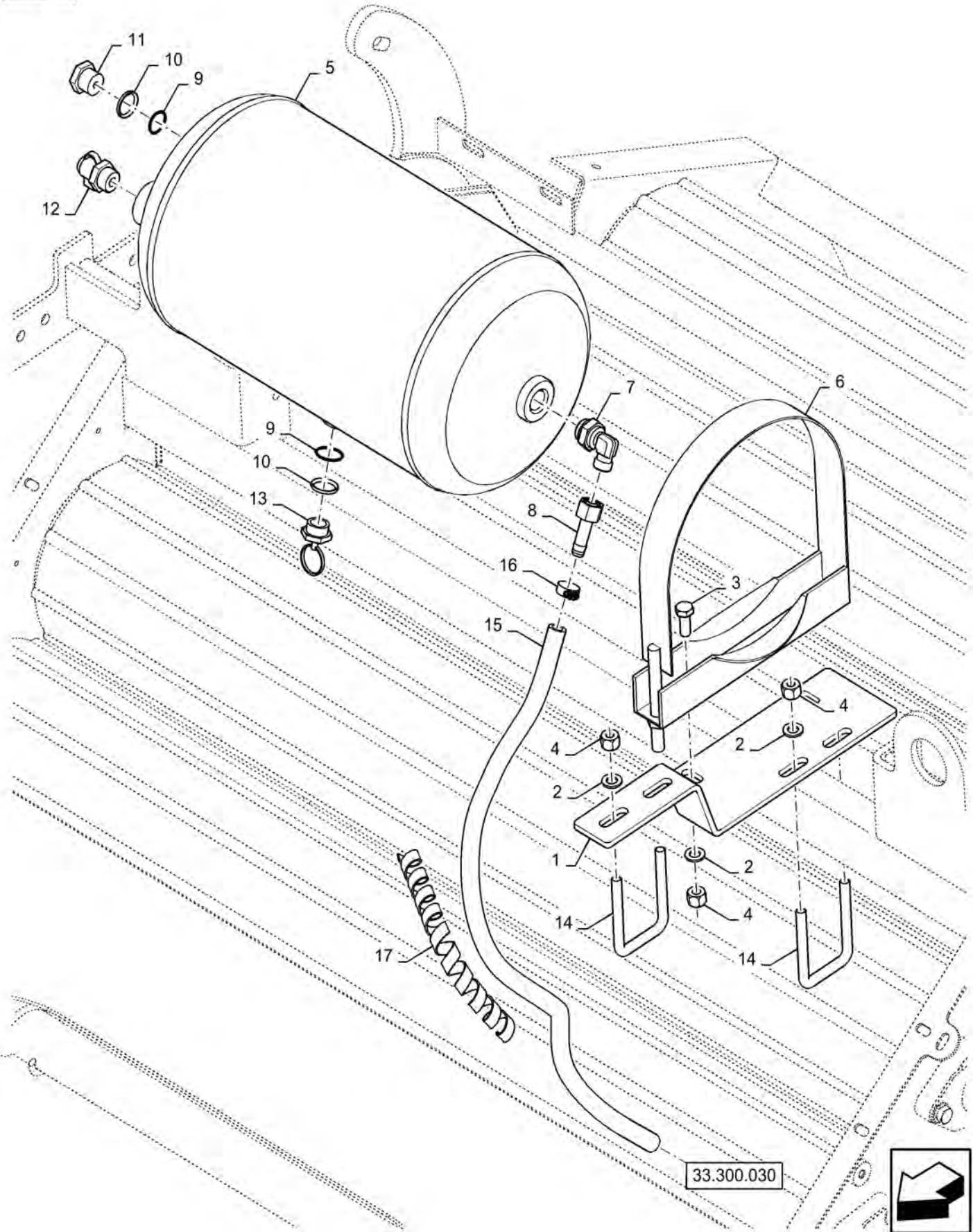
PNEUMATIC BRAKE VALVES

REF FN	PART NUMBER	YR/SN	QTY DESCRIPTION
1	87019852		1 BRAKE VALVE
2	9512531		4 HYD CONNECTOR
3	1 9512545		2 AIR FILTER
4	47681484		1 FITTING
5	47681471		1 FITTING
6	47681488		1 90 ELBOW
7	47863358		1 MOUNTING PLATE
8	43127		2 BOLT Hex, M8 x 1.25 x 25mm, CI 8.8
9	9512540		1 HYD CONNECTOR
10	47447328		2 THREADED INSERT
11	47681487		1 90 ELBOW
12	86624184		2 WASHER 9mm ID x 16mm OD x 1.6mm Thk
13	326082		3 CLAMP 18mm - 25mm
14	86624176		2 WASHER 11mm ID x 20mm OD x 2mm Thk
15	12577211		2 LOCK NUT M10 x 1.5mm Pitch, 12.30mm High, CI 8, ZND
16	120069		2 BOLT M10 x 1.5 x 56.58mm OAL, CI 8.8

(1) MAINTENANCE PART

Orkel GP 1270 Kombi/ Orkel GP 1270S

PNEUMATIC BRAKE RESERVOIR



33.300.030



PNEUMATIC BRAKE RESERVOIR

REF FN	PART NUMBER	YR/SN	QTY DESCRIPTION
1	47863373		2 MOUNTING PLATE
2	86624176		12 WASHER 11mm ID x 20mm OD x 2mm Thk
3	43139		4 BOLT M10 x 1.5 x 25mm, CI 8.8
4	12574511		12 LOCK NUT M10 x 1.25, CI 8
5	84459203		1 AIR RESERVOIR
6	87028121		2 CLAMP
7	47681484		1 FITTING
8	47681471		1 FITTING
9	9512529		2 O-RING
10	9512530		2 WASHER, THRUST 22mm ID x 27mm OD x 2.6mm Thk
11	9512523		1 PLUG
12	9512540		1 HYD CONNECTOR
13	9512541		1 DRAIN PLUG
14	47863348		4 ROD
15	84014198		1 HOSE 18mm OD x 3.5mm Thk L=1.3M
16	326082		1 CLAMP 18mm - 25mm
17	47507971		2 TUBE L=0.4M

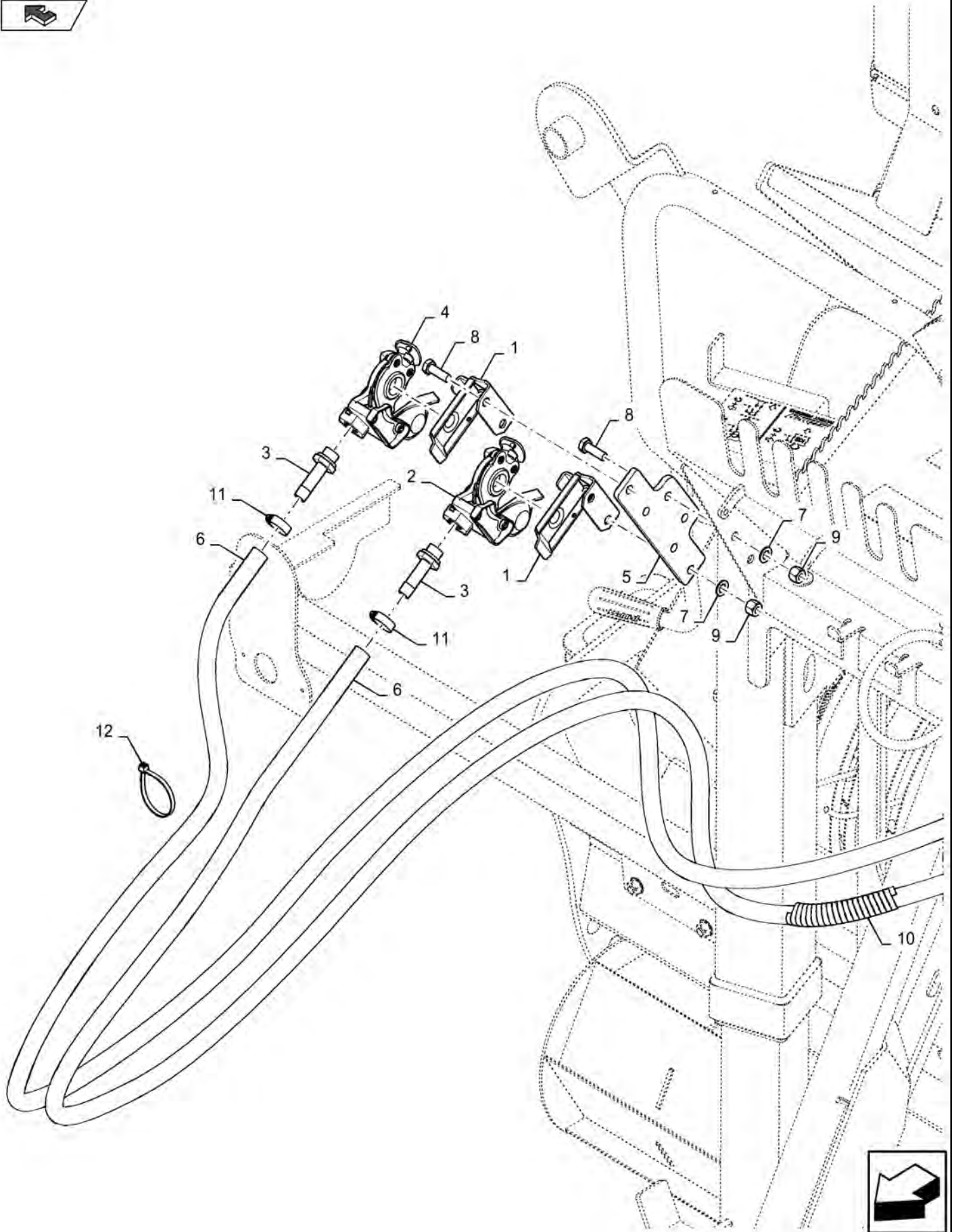
Orkel GP 1270 Kombi/ Orkel GP 1270S

33.300.050

p1

4/2017

PNEUMATIC BRAKE COUPLING

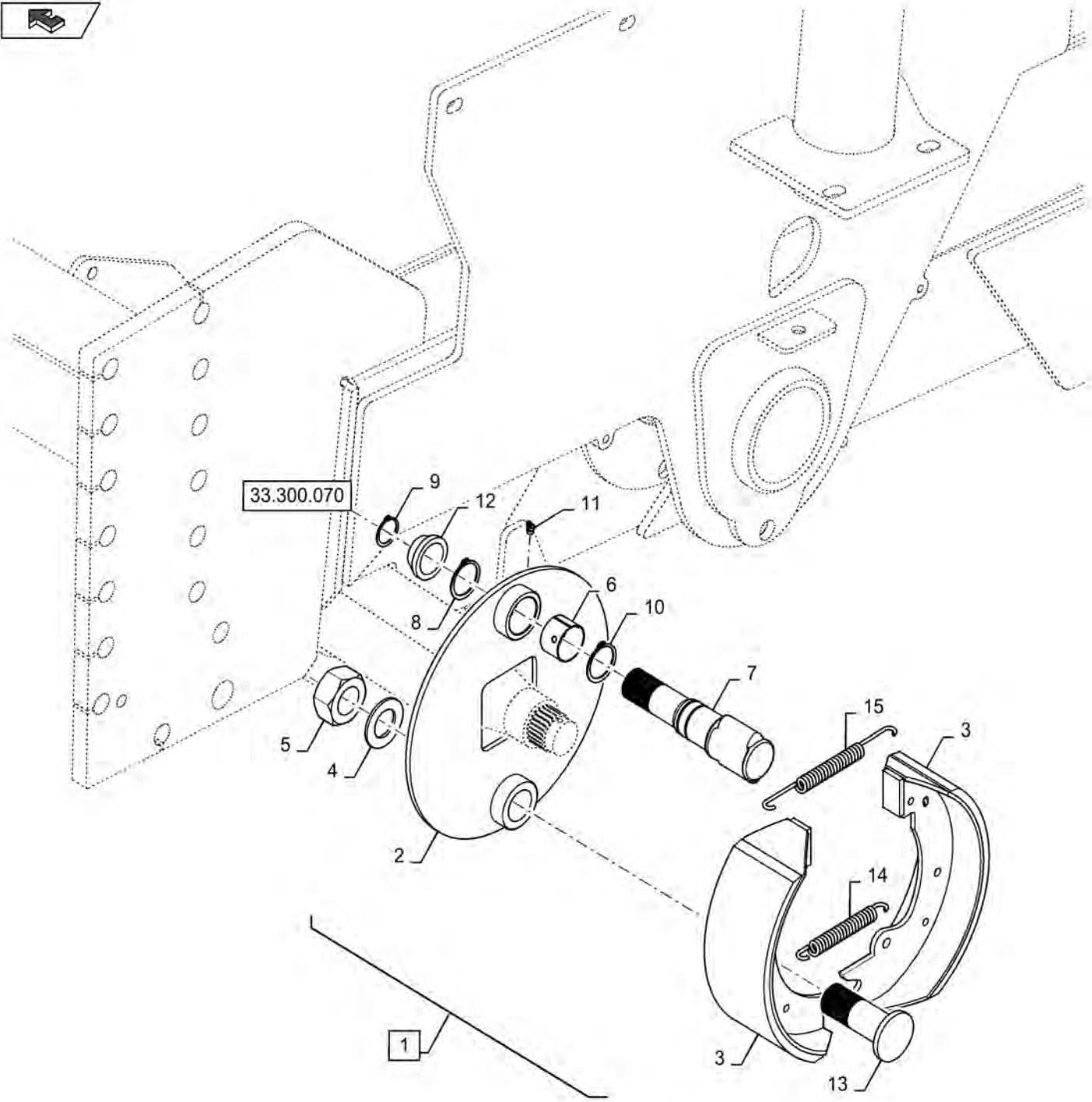


PNEUMATIC BRAKE COUPLING

REF FN	PART NUMBER	YR/SN	QTY DESCRIPTION
1	47681493		2 COUPLING
2	1 9512546		1 COUPLING BLOCK
3	9512534		2 HYD CONNECTOR
4	1 9512537		1 COUPLING BLOCK
5	47871312		1 MOUNTING PLATE
6	84014198		2 HOSE 18mm OD x 3.5mm Thk L=5M
7	86624184		6 WASHER 9mm ID x 16mm OD x 1.6mm Thk
8	43127		6 BOLT Hex, M8 x 1.25 x 25mm, CI 8.8
9	16104121		6 NUT M8 x 1.25, CI 10
10	47496805		2 TUBE L=0.4M
11	326082		2 CLAMP 18mm - 25mm
12	86566989		6 CABLE TIE 208mm L
(1)	MAINTENANCE PART		

Orkel GP 1270 Kombi/ Orkel GP 1270S

PNEUMATIC BRAKE

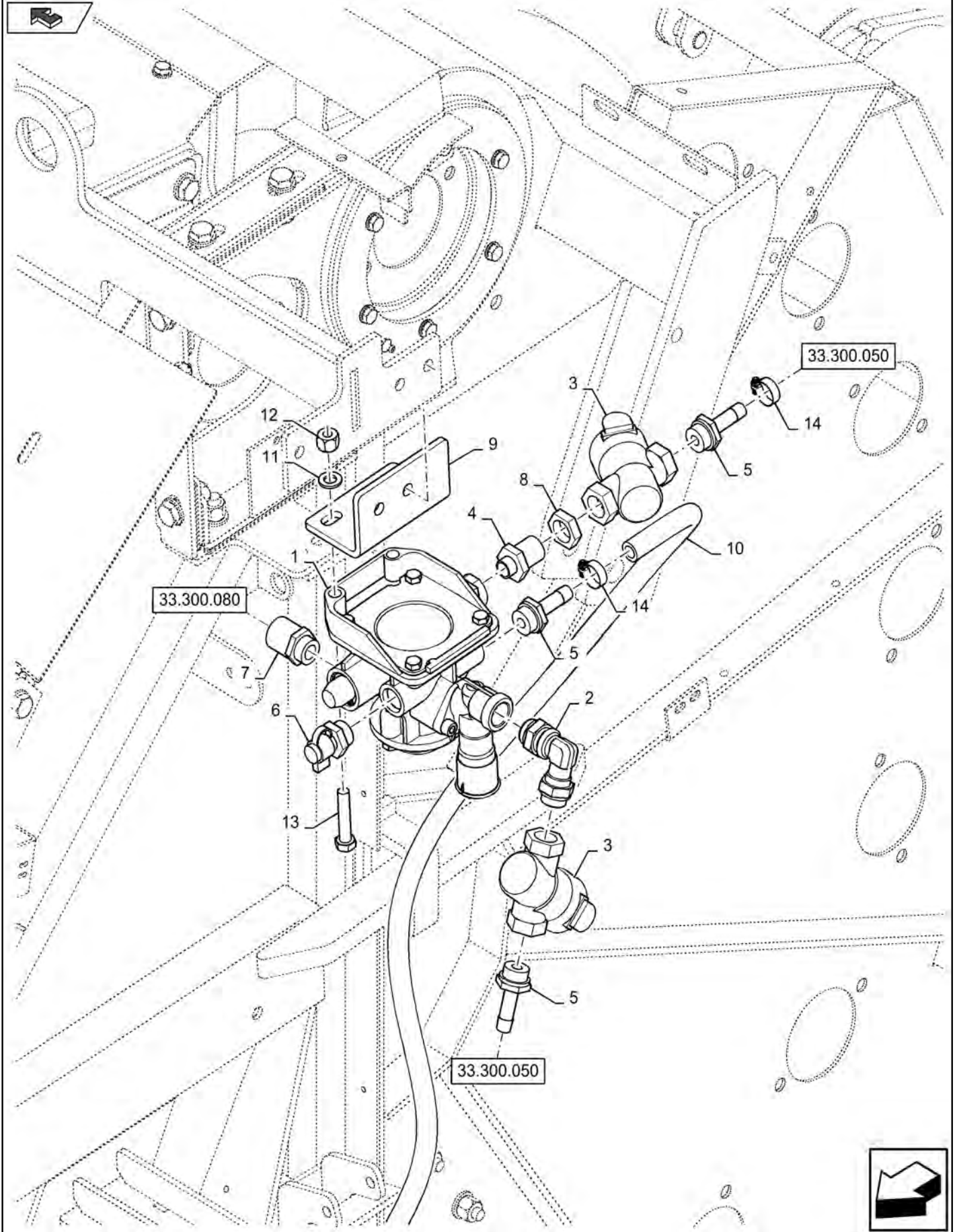


PNEUMATIC BRAKE

REF	FN	PART NUMBER	YR/SN	QTY	DESCRIPTION
1	1	47820574		4	BRAKE DRUM Incl 2 - 15
2		NSS		1	NOT SOLD SEPARAT Plate, Incl in 1
3		47893905		2	BRAKE SHOE
4		47893889		1	WASHER
5		47893892		1	NUT
6		47893893		1	BUSHING
7		47893885		1	CAMSHAFT
8		47493159		1	CIRCLIP
9		47894588		1	BRAKE DRUM
10		47893895		1	O-RING
11		47893901		1	LUBE NIPPLE
12		47893887		1	CAP
13		47893903		1	PIN
14		47893906		1	SPRING
15		47893907		1	SPRING
(1)		ALSO ON 27.550.040			

Orkel GP 1270 Kombi/ Orkel GP 1270S

PNEUMATIC BRAKE VALVES



PNEUMATIC BRAKE VALVES

REF FN	PART NUMBER	YR/SN	QTY DESCRIPTION
1	87019852		1 BRAKE VALVE
2	47681487		1 90 ELBOW
3	1 9512545		2 AIR FILTER
4	48027508		1 COUPLING
5	9512531		4 HYD CONNECTOR
6	9512540		1 HYD CONNECTOR
7	48025654		1 COUPLING
8	48027510		1 COUPLING
9	48024760		1 MOUNTING PLATE
10	84014198		1 HOSE 18mm OD x 3.5mm Thk LH, L=3.8M
10	84014198		1 HOSE 18mm OD x 3.5mm Thk RH, L=5.1M
11	86624176		2 WASHER 11mm ID x 20mm OD x 2mm Thk
12	12574511		2 LOCK NUT M10 x 1.25, CI 8
13	120069		2 BOLT M10 x 1.5 x 56.58mm OAL, CI 8.8
14	326082		2 CLAMP 18mm - 25mm
(1)	MAINTENANCE PART		

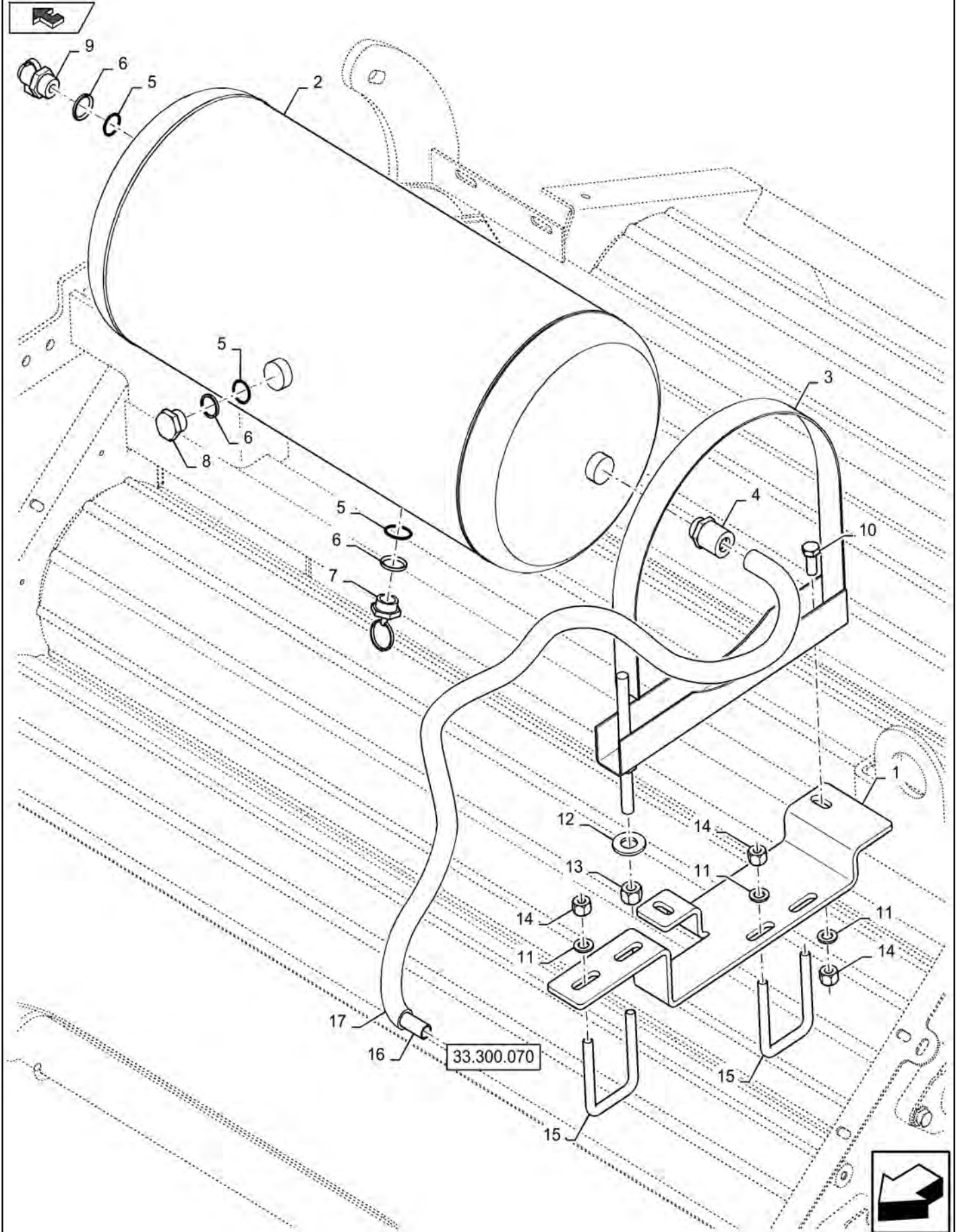
Orkel GP 1270 Kombi/ Orkel GP 1270S

33.300.080

p1

4/2017

PNEUMATIC BRAKE RESERVOIR



PNEUMATIC BRAKE RESERVOIR

REF FN	PART NUMBER	YR/SN	QTY DESCRIPTION
1	48024756		2 MOUNTING PLATE
2	84414367		1 RESERVOIR
3	84414378		2 CLAMP
4	48025654		1 COUPLING
5	9512529		3 O-RING
6	9512530		3 WASHER, THRUST 22mm ID x 27mm OD x 2.6mm Thk
7	9512541		1 DRAIN PLUG
8	9512523		1 PLUG
9	9512540		1 HYD CONNECTOR
10	43139		4 BOLT M10 x 1.5 x 25mm, Cl 8.8
11	86624176		12 WASHER 11mm ID x 20mm OD x 2mm Thk
12	378246		2 WASHER 17mm ID x 34mm OD x 3mm Thk
13	412126		2 NUT M12 x 1.75
14	12574511		12 LOCK NUT M10 x 1.25, Cl 8
15	47863348		4 ROD
16	9512535		1 HOSE L=0.85M
17	9507812		1 CONDUIT L=0.85M

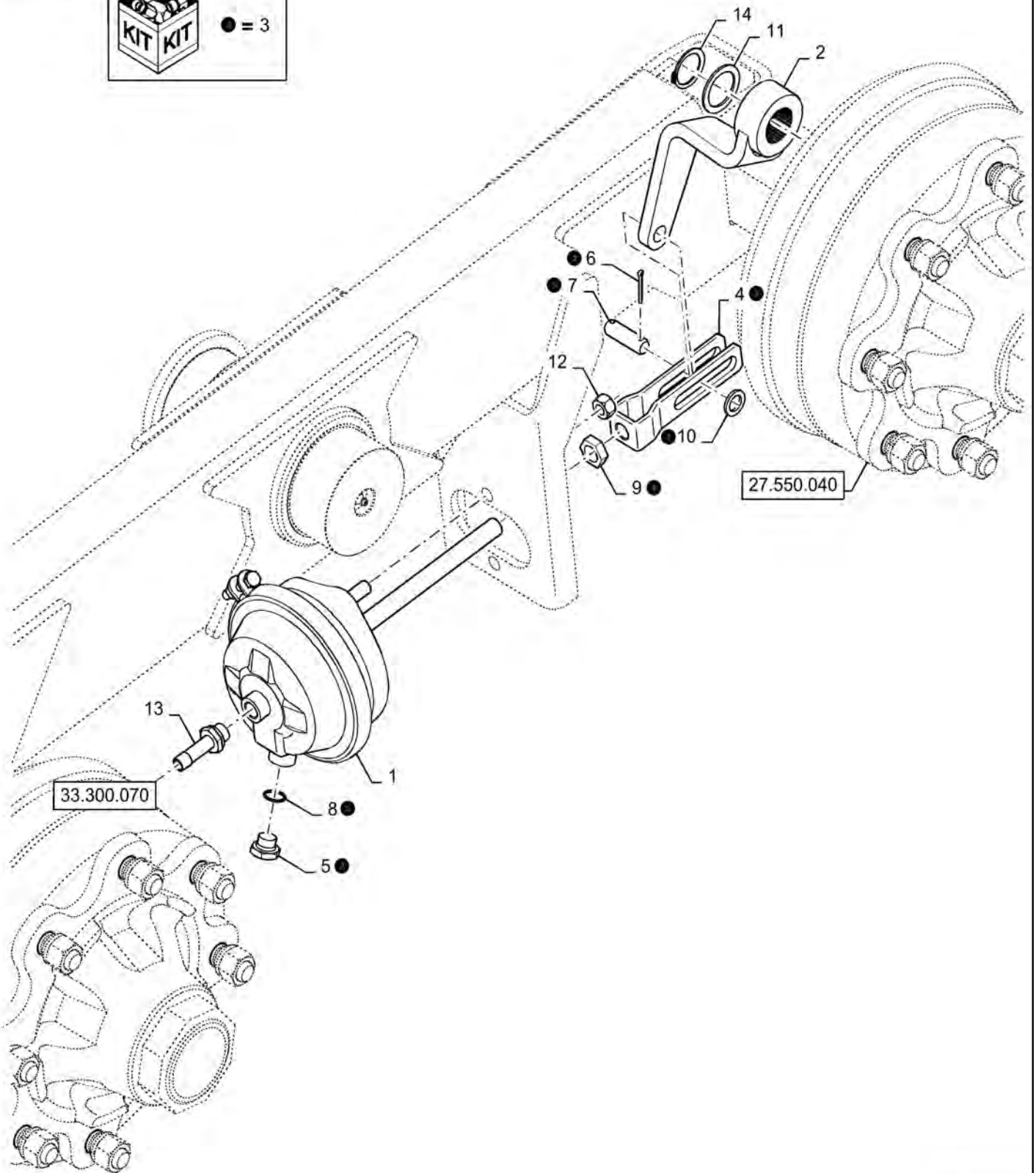
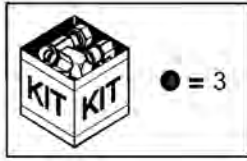
Orkel GP 1270 Kombi/ Orkel GP 1270S

33.300.090

p1

4/2017

PNEUMATIC BRAKE CYLINDER



PNEUMATIC BRAKE CYLINDER

REF FN	PART NUMBER	YR/SN	QTY DESCRIPTION
1	84320807		2 CYLINDER
2	48022971		2 LEVER
3	47666950		2 FORK Incl 4 - 10
4	47666953		2 FORK
5	84014311		2 PLUG
6	10733601		4 COTTER PIN M3.2 x 22
7	47667638		2 PIN
8	84014312		2 RING
9	364164		2 THIN NUT Thin, M16 x 1.5, CI 04
10	87680388		4 WASHER 15mm ID x 23.4mm OD x 2.6mm Thk
11	47693800		2 WASHER
12	330327		4 NUT M12 x 1.5, CI 8
13	9512534		2 HYD CONNECTOR
14	9840045		2 CIRCLIP M32, Ext

Orkel GP 1270 Kombi/ Orkel GP 1270S

SECTION INDEX

HYDRAULIC SYSTEMS

35.000.00	01	SECTION INDEX - HYDRAULIC SYSTEMS
35.000.00	02	SECTION INDEX - HYDRAULIC SYSTEMS
35.204.010		REMOTE VALVE
35.550.010		TAILGATE HYDRAULIC CYLINDER
35.550.020		TAILGATE HYDRAULIC CYLINDER LINES
35.550.030		TAILGATE HYDRAULIC CYLINDER LINES
35.560.010		PICK-UP HYDRAULIC CYLINDER
35.560.020		PICK-UP HYDRAULIC CYLINDER LINES
35.565.010		DISCHARGE CLUTCH HYDRAULIC CYLINDER
35.568.010		KNIFE POSITION HYDRAULIC CYLINDER
35.568.020		PLASTIC WRAPPER KNIFE HYDRAULIC CYLINDER
35.569.010		DROP FLOOR HYDRAULIC CYLINDER
35.569.020		DROP FLOOR HYDRAULIC LINES
35.599.010		MANIFOLD HYDRAULIC LINES
35.599.020		MAIN MANIFOLD
35.599.030		HYDRAULIC OIL FILTER
35.599.040		HYDRAULIC MANIFOLD LINES
35.599.050		MAIN MANIFOLD WRAPPER
35.914.010		PLASTIC WRAPPER ARMS HYDRAULIC CYLINDER
35.914.020		PLASTIC WRAPPER HYDRAULIC MOTOR
35.914.030		HYDRAULIC WRAPPER ARM MOTOR
35.914.040		COMBI WRAPPER LOADER HYDRAULIC CYLINDER AND MOTOR
35.914.050		COMBI WRAPPER LOADER HYDRAULIC CYLINDER
35.914.060		COMBI WRAPPER FILM CUTTER HYDRAULIC CYLINDERS AND ACCUMULATOR

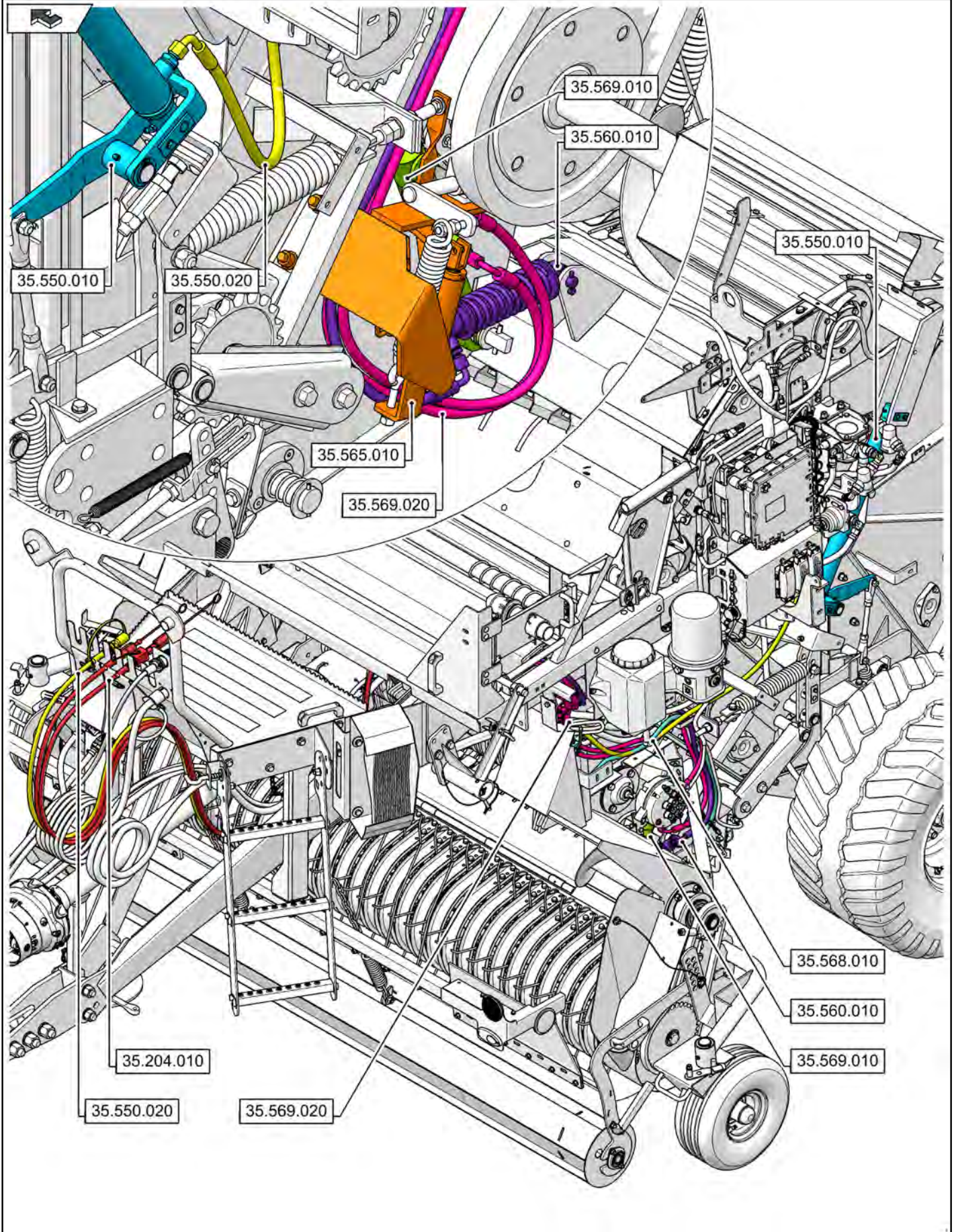
35.000.00

01

p1

4/2017

SECTION INDEX - HYDRAULIC SYSTEMS



35.000.00

01

p1

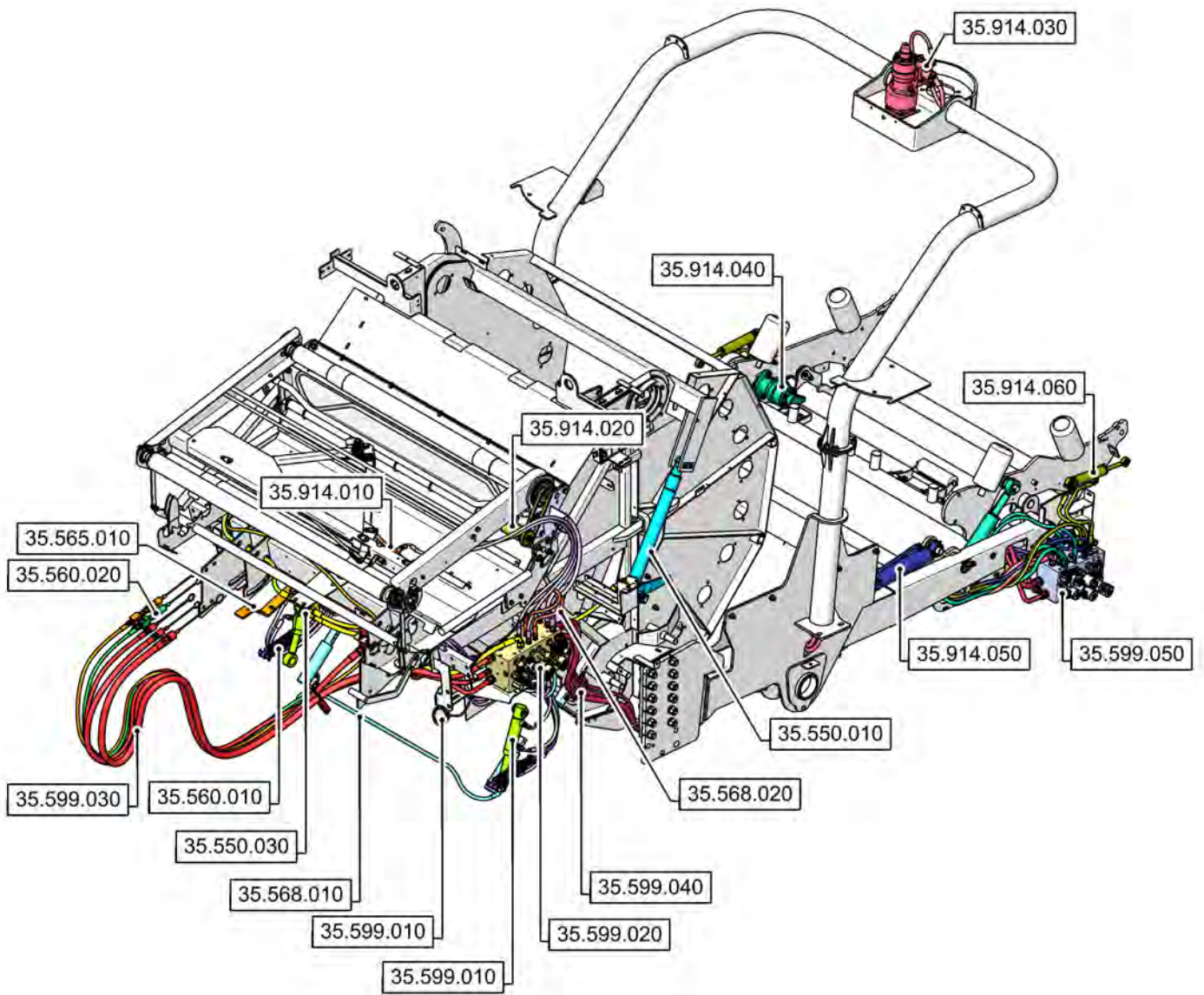
4/2017

SECTION INDEX - HYDRAULIC SYSTEMS

REF FN	PART NUMBER	YR/SN	QTY	DESCRIPTION
---------------	--------------------	--------------	------------	--------------------

Orkel GP 1270 Kombi/ Orkel GP 1270S

SECTION INDEX - HYDRAULIC SYSTEMS



35.000.00

02

p1

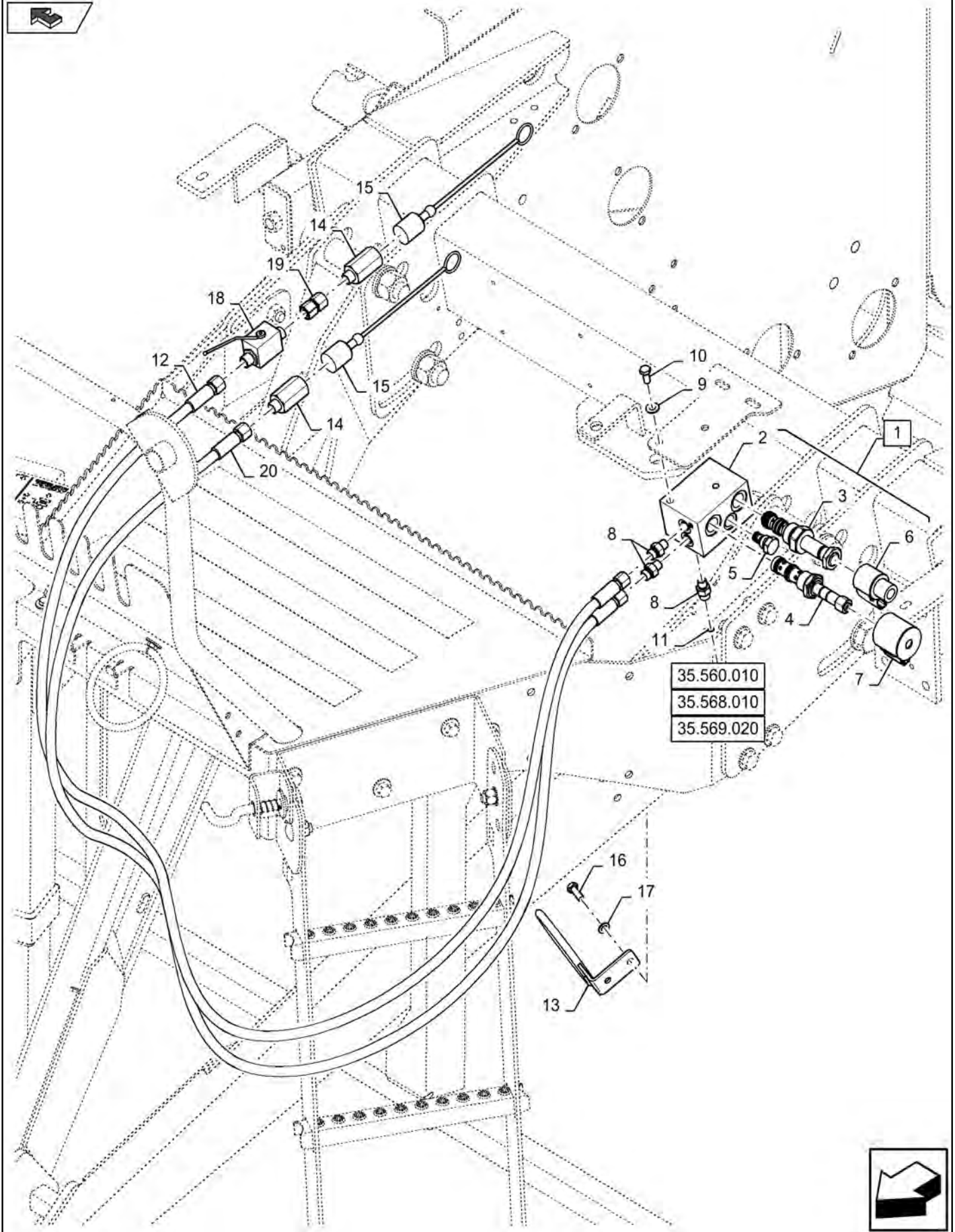
4/2017

SECTION INDEX - HYDRAULIC SYSTEMS

REF FN	PART NUMBER	YR/SN	QTY DESCRIPTION
---------------	--------------------	--------------	------------------------

Orkel GP 1270 Kombi/ Orkel GP 1270S

REMOTE VALVE



REMOTE VALVE

REF FN	PART NUMBER	YR/SN	QTY DESCRIPTION
1	47844664		1 HYDRAULIC MANIFOLD Incl 2 - 7
2	47880740		1 HYDRAULIC MANIFOLD
3	47868644		1 COIL
4	47868532		1 COIL
5	47868616		1 CHECK VALVE
6	47868588		1 SOLENOID VALVE
7	47880741		1 SOLENOID VALVE
8	9850318		6 HYD CONNECTOR
9	322358		2 BELLEVILLE WASHER M8 Bolt Size x 18mm OD x 1.4mm Thk
10	86625000		2 BOLT Hex, M8 x 18mm, Cl 8.8, Full Thd
11	47886914		1 ORIFICE
12	47700161		1 HYDRAULIC HOSE L=3.15M
13	48061075		1 RING
14	84819661		2 QUICK MALE COUPLING
15	84819677		2 CAP COVER
16	43127		2 BOLT Hex, M8 x 1.25 x 25mm, Cl 8.8
17	86511315		2 WASHER 8.4mm ID x 16mm OD x 1.8mm Thk
18	84043962		1 DRAINCOCK/TAP SUPPLY
19	84515054		1 UNION
20	48010862		1 HYDRAULIC HOSE L=3.15M

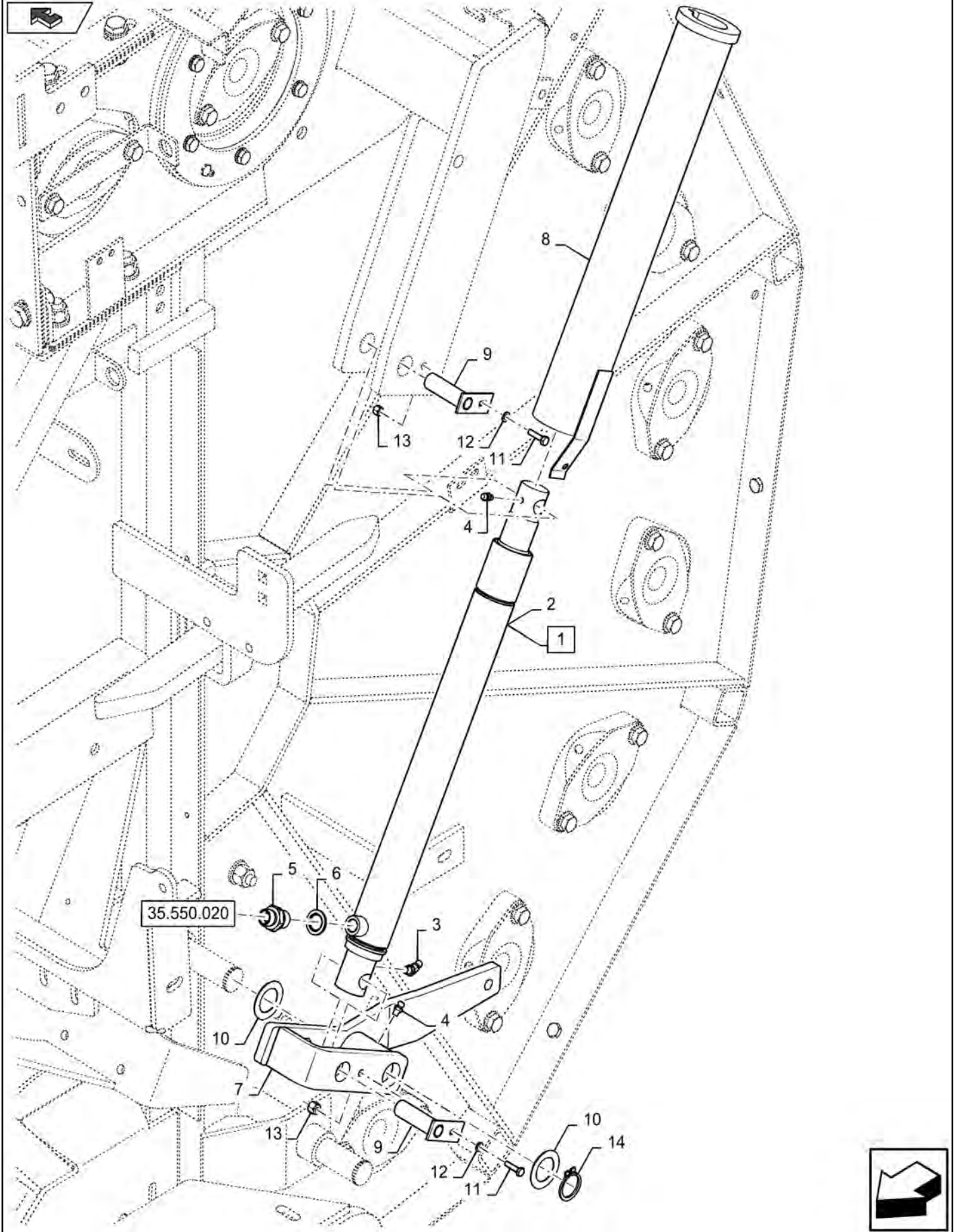
Orkel GP 1270 Kombi/ Orkel GP 1270S

35.550.010

p1

4/2017

TAILGATE HYDRAULIC CYLINDER



TAILGATE HYDRAULIC CYLINDER

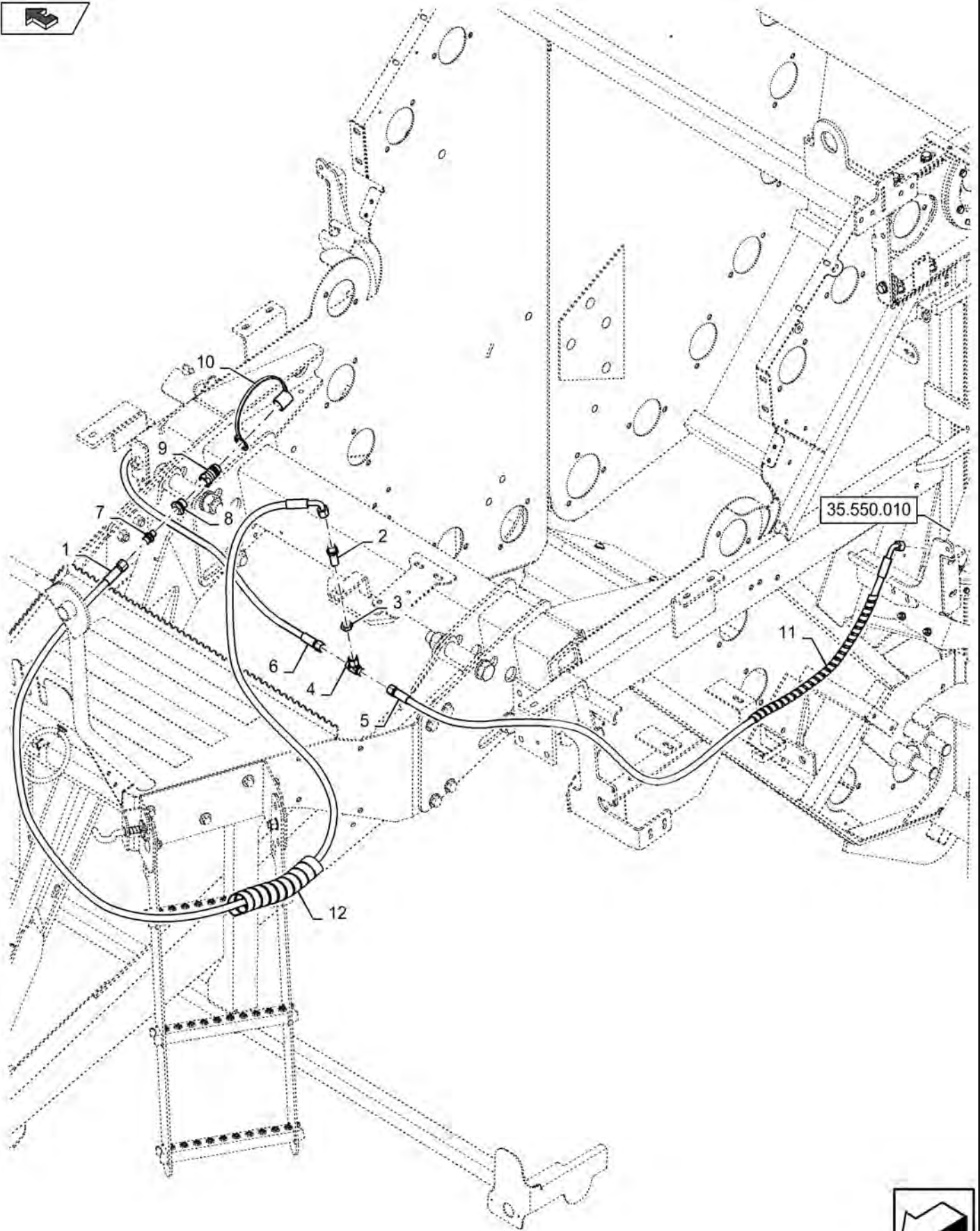
REF FN	PART NUMBER	YR/SN	QTY DESCRIPTION
1	47589249		2 HYDRAULIC CYLINDER Incl 2 - 3
2	47508439		1 SEAL KIT
3	150024		1 LUBE NIPPLE 45 Degree, M8 x 1
4	321204		4 LUBE NIPPLE M6 x 1.0 x 16mm OAL
5 1	9813512		2 HYD CONNECTOR
5 2	397977		2 HYD CONNECTOR
6	47490084		2 WASHER
7	47445227		1 LATCH LH
7	47462196		1 BRACKET RH
8 1	47485751		2 SUPPORT
9	47461276		4 PIN 20mm OD x 69mm L
10	47468356		4 SHIM 25mm ID x 40mm OD x 1mm Thk
11	86977786		4 BOLT Hex, M6 x 1 x 25mm, Cl 8.8
12	9824259		4 WASHER 6.4mm ID x 12mm OD x 1.6mm Thk
13	393392		4 LOCK NUT Prev Torque, M6 x 1, Cl 8
14	84168348		2 SNAP RING M25

(1) FOR GP 1270S ONLY

(2) FOR GP 1270 KOMBI ONLY

Orkel GP 1270 Kombi/ Orkel GP 1270S

TAILGATE HYDRAULIC CYLINDER LINES



35.550.020

p1

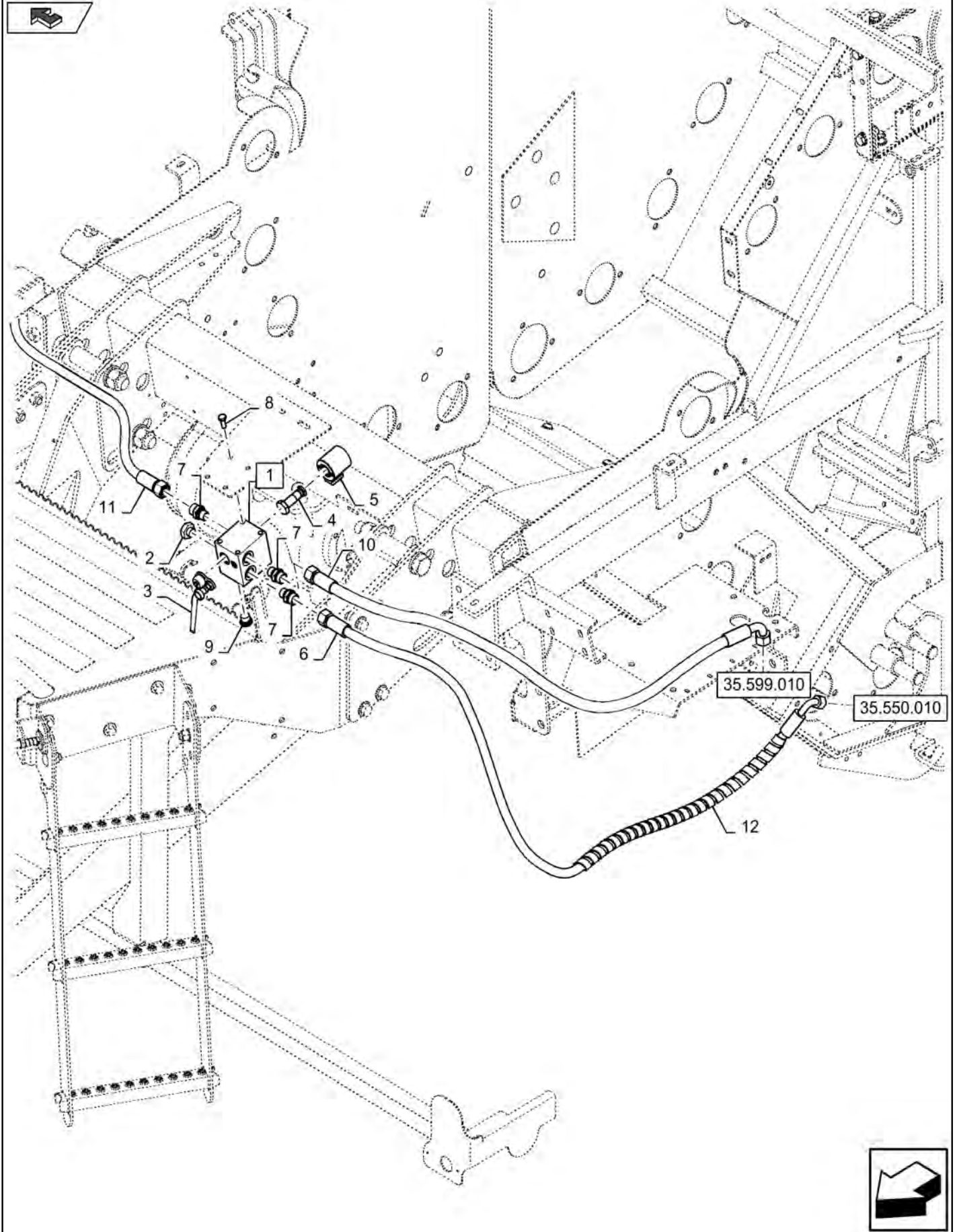
4/2017

TAILGATE HYDRAULIC CYLINDER LINES

REF FN	PART NUMBER	YR/SN	QTY DESCRIPTION
1	47889171		1 HYDRAULIC HOSE L=3.2M
2	87479526		1 PIPE FITTING
3	87493575		1 NUT
4	47498133		1 BRANCH TEE
5	87348039		1 HYDRAULIC HOSE 6.4mm ID x 1930mm L, SAE 100R16 L=1.93M
6	47716869		1 HYDRAULIC HOSE L=2.2M
7	47590327		1 NIPPLE
8	47553404		1 ADAPTER
9	47876570		1 QUICK MALE COUPLING
10	86621124		1 DUST CAP
11	47507971		1 TUBE L=2.4M
12	47507974		1 SHIELD L=2.5M

Orkel GP 1270 Kombi/ Orkel GP 1270S

TAILGATE HYDRAULIC CYLINDER LINES



35.550.030

p1

4/2017

TAILGATE HYDRAULIC CYLINDER LINES

REF FN	PART NUMBER	YR/SN	QTY DESCRIPTION
1	47844663		1 HYDRAULIC MANIFOLD Incl 2 - 5
2	47868534		1 CHECK VALVE
3	47868526		1 HYDRAULIC VALVE
4	47868532		1 COIL
5	47868525		1 SOLENOID VALVE
6	47698639		1 HYDRAULIC HOSE
7	47682515		3 FITTING
8	86625001		4 BOLT Hex, M8 x 22mm, Cl 8.8, Full Thd
9	86598046		1 PLUG M18 x 1.5 ORB
10	47706124		1 HYDRAULIC HOSE
11	47698638		1 HYDRAULIC HOSE
12	47507973		2 SHIELD L=1M

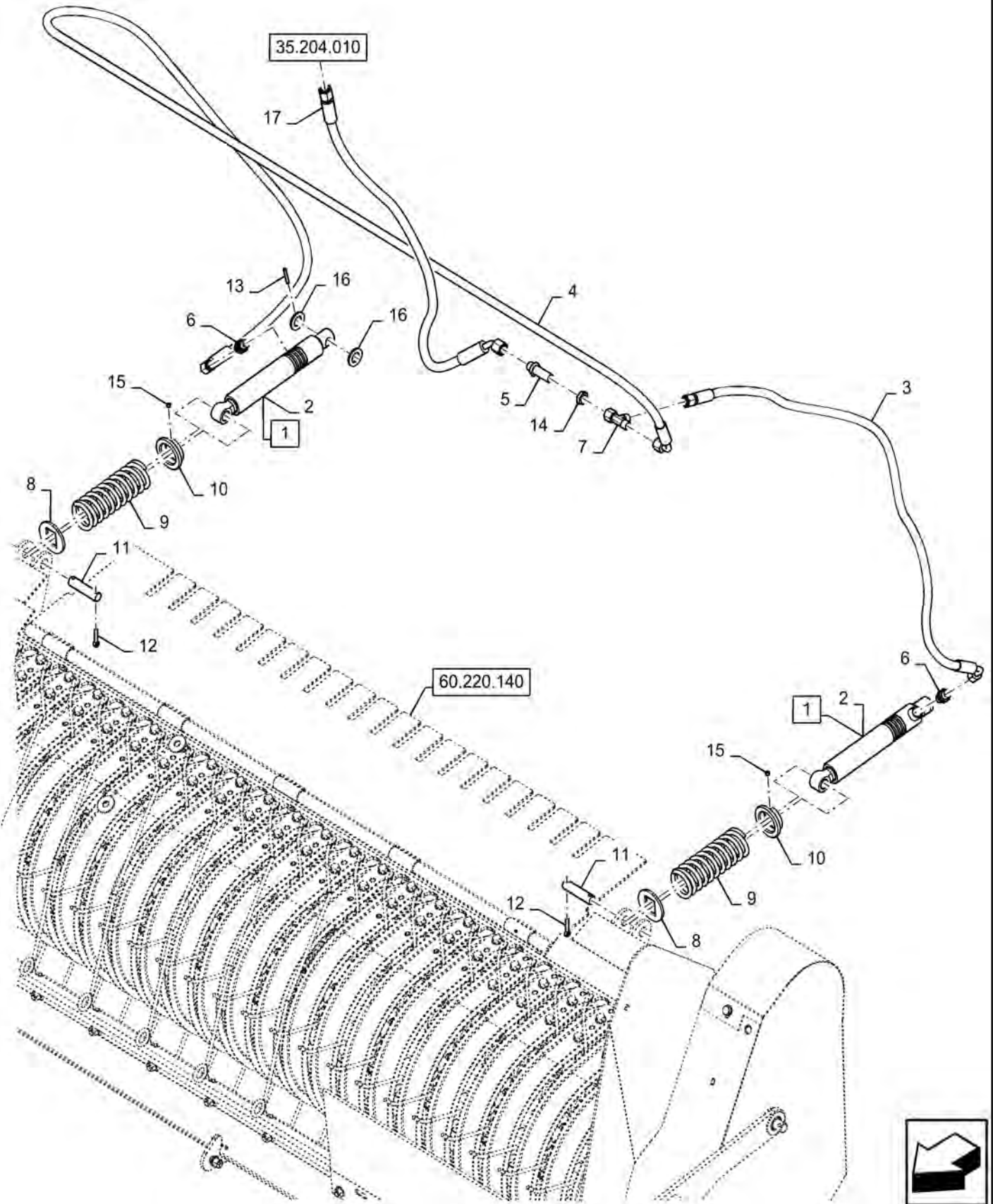
Orkel GP 1270 Kombi/ Orkel GP 1270S

35.560.010

p1

4/2017

PICK-UP HYDRAULIC CYLINDER



PICK-UP HYDRAULIC CYLINDER

REF FN	PART NUMBER	YR/SN	QTY DESCRIPTION
1	47772850		2 HYDRAULIC CYLINDER Incl 2
2	47732973		1 SEAL KIT
3	47740863		1 HYDRAULIC HOSE
4	47740865		1 HYDRAULIC HOSE
5	87479525		1 FITTING
6	87381134		2 FITTING
7	84064562		1 HYD CONNECTOR
8	47693001		2 PLATE
9	47691704		2 COMPRESSION SPRING
10	47697714		2 LOCKING RING
11	47697733		2 PIN
12	394818		4 COTTER PIN M5 x 25
13	14164470		2 LOCK PIN M4 x 32, Slotted
14	87493574		1 NUT
15	86639305		2 SET SCREW M6 x 6mm
16	86511326		4 WASHER 17mm ID x 30mm OD x 3mm Thk
17	1 47740857		1 HYDRAULIC HOSE L=0.7M

(1) FOR ROLL BALER 125 ONLY

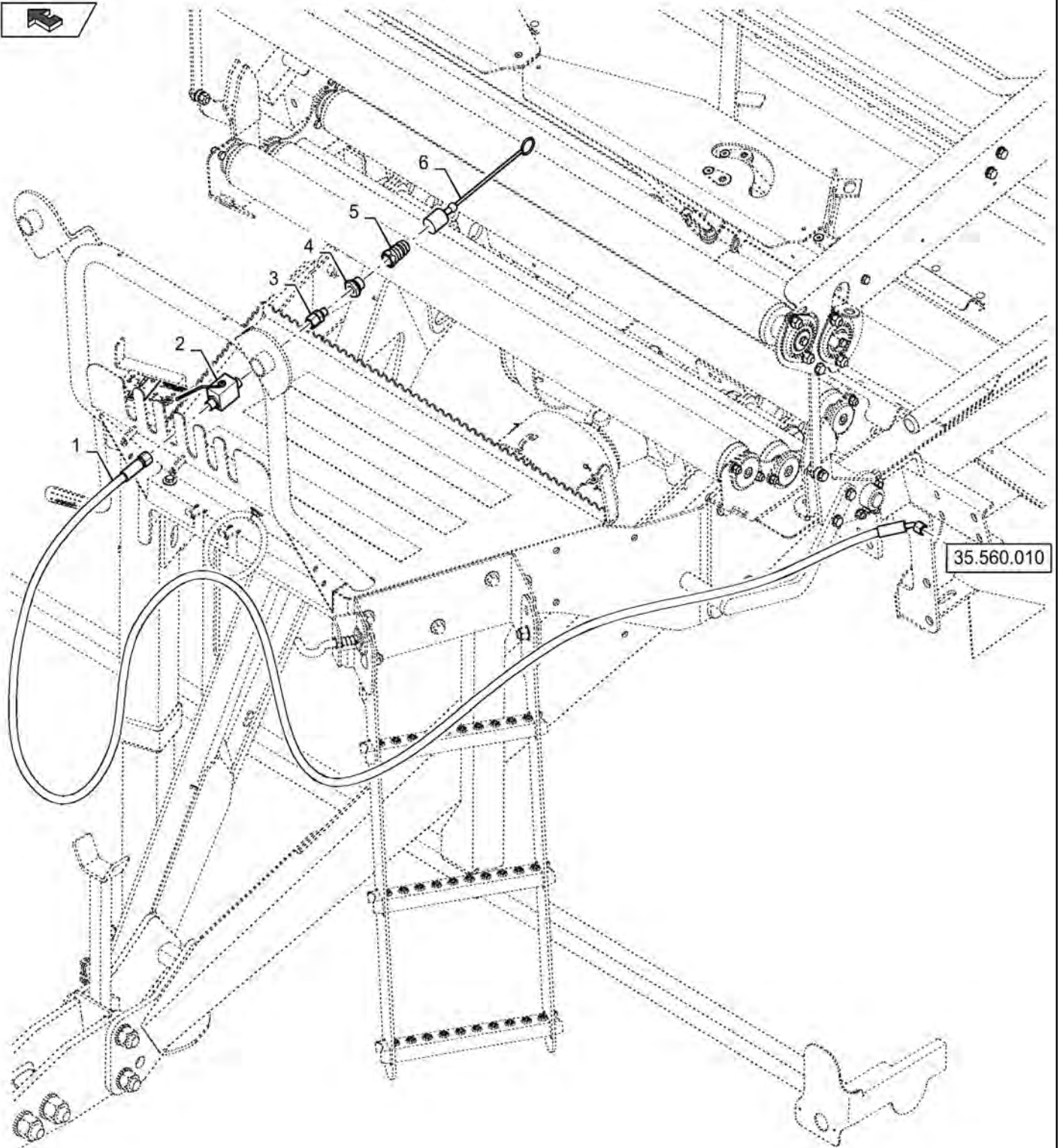
Orkel GP 1270 Kombi/ Orkel GP 1270S

35.560.020

p1

4/2017

PICK-UP HYDRAULIC CYLINDER LINES



35.560.010

35.560.020

p1

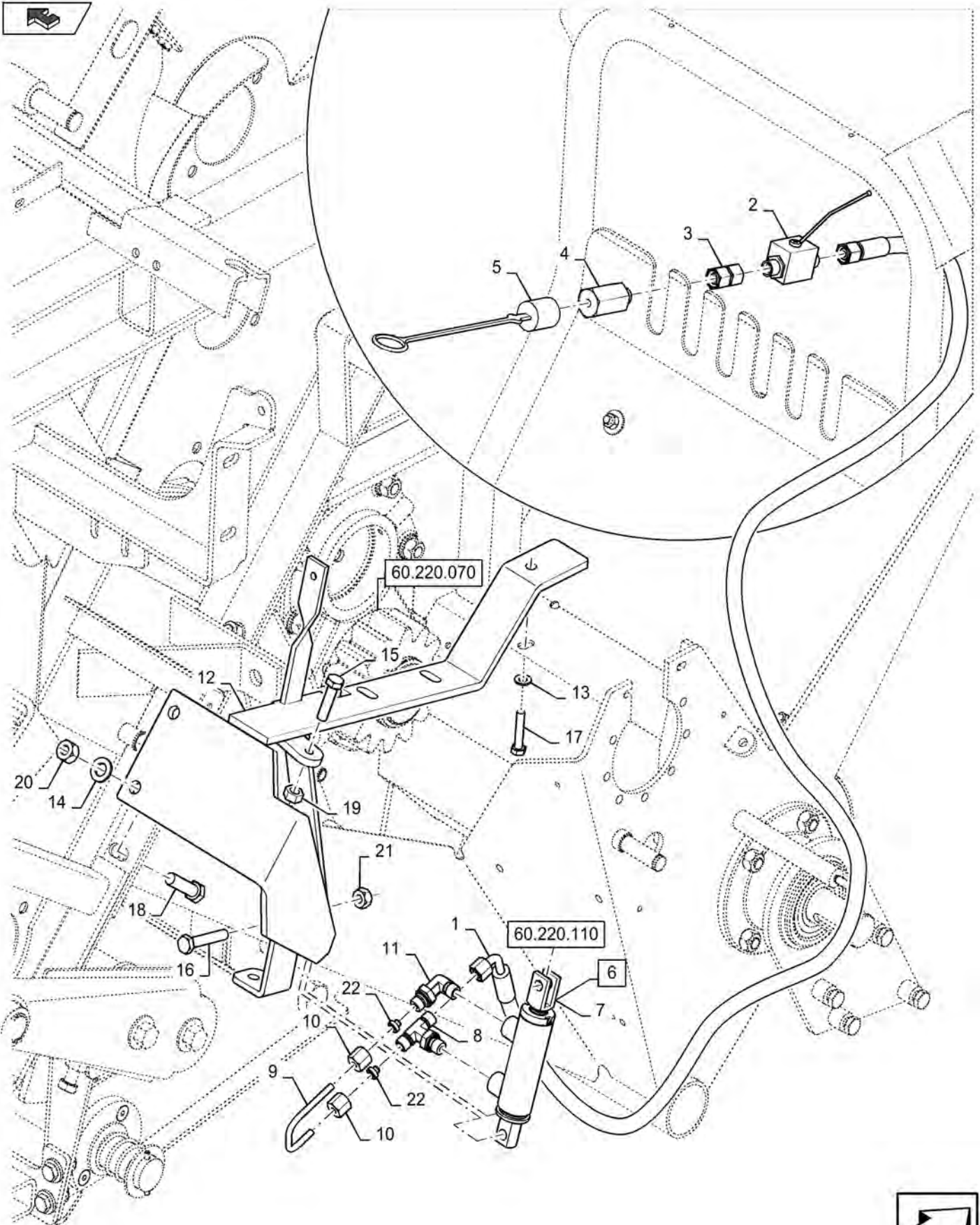
4/2017

PICK-UP HYDRAULIC CYLINDER LINES

REF FN	PART NUMBER	YR/SN	QTY DESCRIPTION
1	47740875		1 HYDRAULIC HOSE
2	84043962		1 DRAINCOCK/TAP SUPPLY
3	47554015		1 NIPPLE
4	47553404		1 ADAPTER
5	47876570		1 QUICK MALE COUPLING
6	84819677		1 CAP COVER

Orkel GP 1270 Kombi/ Orkel GP 1270S

DISCHARGE CLUTCH HYDRAULIC CYLINDER

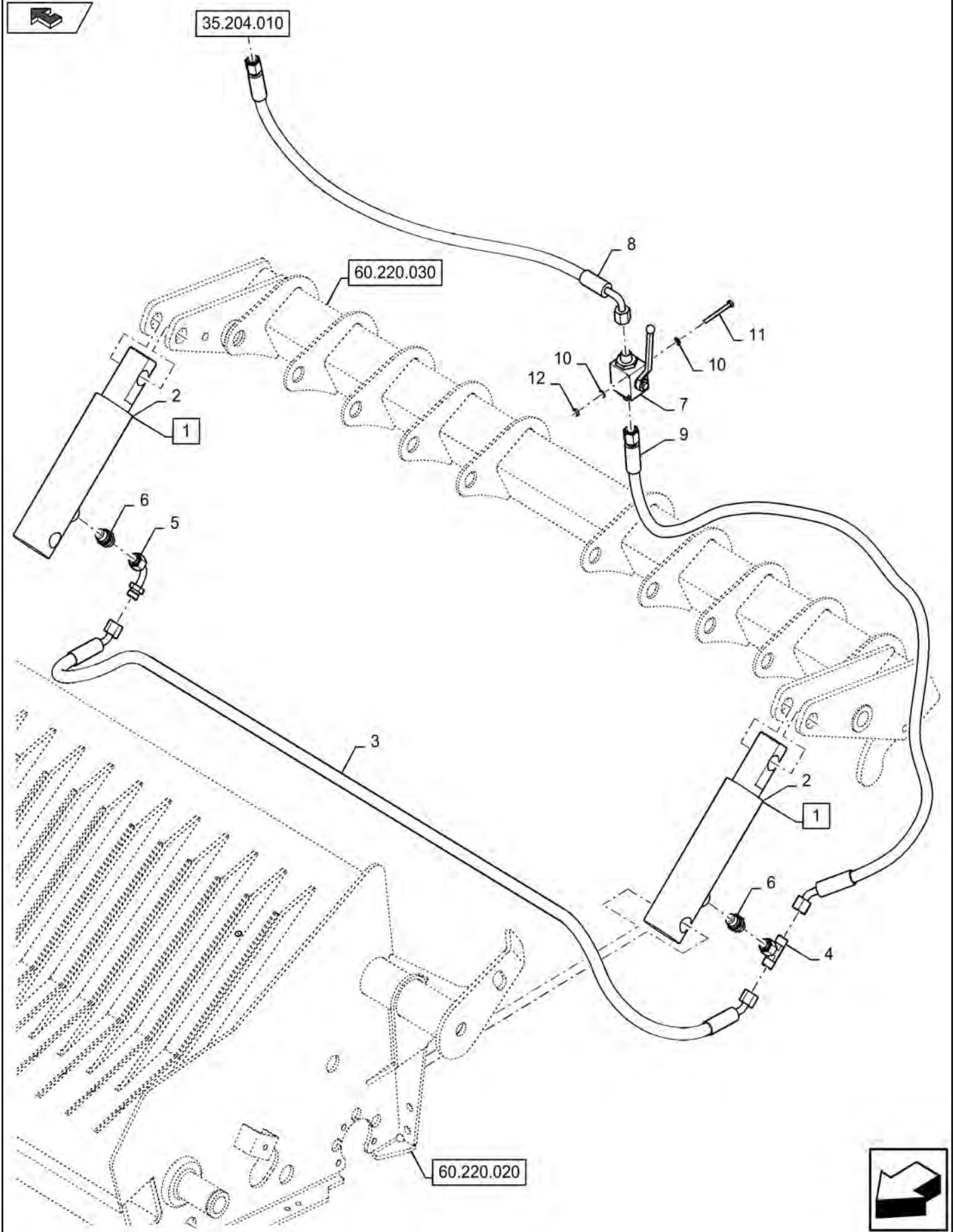


DISCHARGE CLUTCH HYDRAULIC CYLINDER

REF FN	PART NUMBER	YR/SN	QTY DESCRIPTION
1	47494648		1 HYDRAULIC HOSE 6.3mm ID x 5600mm L, SAE 100R16
2	84043962		1 DRAINCOCK/TAP SUPPLY
3	84515054		1 UNION
4	84819661		1 QUICK MALE COUPLING
5	84819669		1 DUST CAP
6	47480157		1 HYDRAULIC CYLINDER Double Acting, 16mm Rod, 50mm Stroke Incl 7
7	47575424		1 SEAL KIT
8	47498137		1 BRANCH TEE
9	47481660		1 HYD TUBE
10	47499830		2 TUBE NUT
11	47498129		1 ELBOW
12	47898734		1 BRACKET
13	14496501		1 WASHER 8.4mm ID x 17mm OD x 1.6mm Thk
14	86511324		2 WASHER 13mm ID x 24mm OD x 2.5mm Thk
15	120112		1 BOLT Hex, M10 x 1.5 x 40mm, CI 8.8, Full Thd
16	412151		1 BOLT M10 x 1.5 x 61.58mm, CI 8.8
17	43127		1 BOLT Hex, M8 x 1.25 x 25mm, CI 8.8
18	9628065		2 SCREW Hex, M12 x 1.75 x 45mm, CI 8.8
19	100016		1 NUT M10 x 1.5, CI 8
20	84278115		2 NUT
21	84100524		1 NUT M10 x 1.5, CI 8
22	47499878		2 CONE TYPE FERRULE

Orkel GP 1270 Kombi/ Orkel GP 1270S

KNIFE POSITION HYDRAULIC CYLINDER



KNIFE POSITION HYDRAULIC CYLINDER

REF FN	PART NUMBER	YR/SN	QTY DESCRIPTION
1	47727006		2 HYDRAULIC CYLINDER Incl 2
2	47732971		1 SEAL KIT
3	47740856		1 HYDRAULIC HOSE L=1.5M
4	87734612		1 HYD CONNECTOR
5	418283		1 ELBOW
6	87381134		2 FITTING
7	1 47857401		1 COCK
8	1 47858913		1 HYDRAULIC HOSE L=0.7M
9	1 47858914		1 HYDRAULIC HOSE L=1.3M
9	2 47698716		1 HYDRAULIC HOSE L=1.2M
10	1 9824840		4 WASHER 4.3mm ID x 9mm OD x 0.8mm Thk
11	1 1725021		2 SCREW Hex, M4 x 45mm, Cl 8.8
12	1 100012		2 NUT M4 x 0.7, Cl 8
(1)	FOR GP 1270S ONLY		
(2)	FOR GP 1270 KOMBI ONLY		

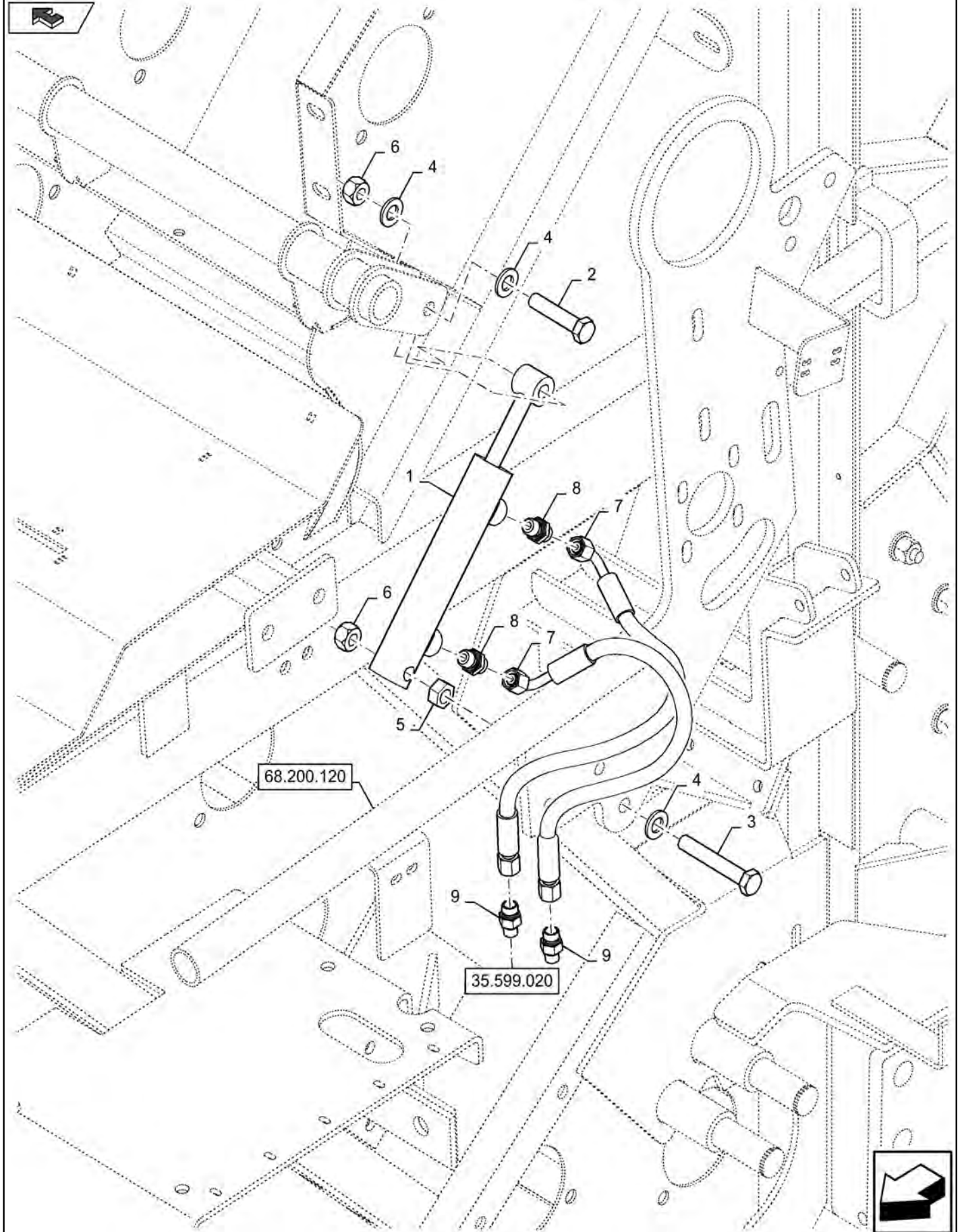
Orkel GP 1270 Kombi/ Orkel GP 1270S

35.568.020

p1

4/2017

PLASTIC WRAPPER KNIFE HYDRAULIC CYLINDER



35.568.020

p1

4/2017

PLASTIC WRAPPER KNIFE HYDRAULIC CYLINDER

REF FN	PART NUMBER	YR/SN	QTY DESCRIPTION
1	47461082		1 HYDRAULIC CYLINDER
2	300512		1 BOLT Hex, M12 x 55mm, Cl 8.8
3	350460		1 BOLT Hex, M12 x 1.75 x 75mm, Cl 8.8
4	86511324		3 WASHER 13mm ID x 24mm OD x 2.5mm Thk
5	9706685		1 NUT M12 x 1.75, Cl 8
6	84278115		2 NUT
7	47698730		2 HYDRAULIC HOSE
8	1665749		2 TEE
9	9850318		2 HYD CONNECTOR

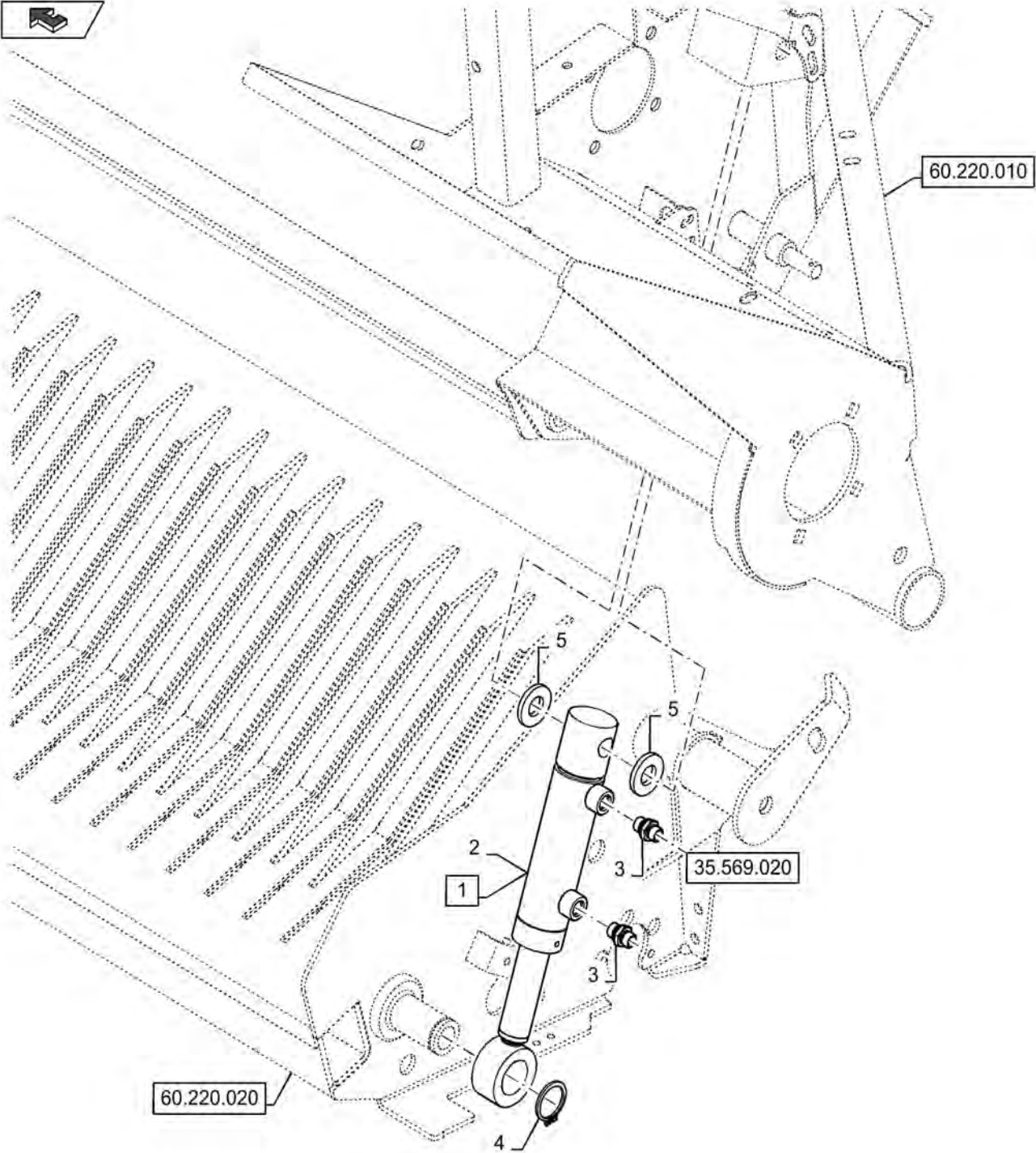
Orkel GP 1270 Kombi/ Orkel GP 1270S

35.569.010

p1

4/2017

DROP FLOOR HYDRAULIC CYLINDER



60.220.010

35.569.020

60.220.020



35.569.010

p1

4/2017

DROP FLOOR HYDRAULIC CYLINDER

REF FN	PART NUMBER	YR/SN	QTY DESCRIPTION
1	47819292		2 HYDRAULIC CYLINDER Incl 2
2	47870093		1 SEAL KIT
3	87381134		4 FITTING
4	87016944		2 SNAP RING M34, Ext
5	86629891		4 WASHER 19.8mm ID x 41.5mm OD x 5mm Thk

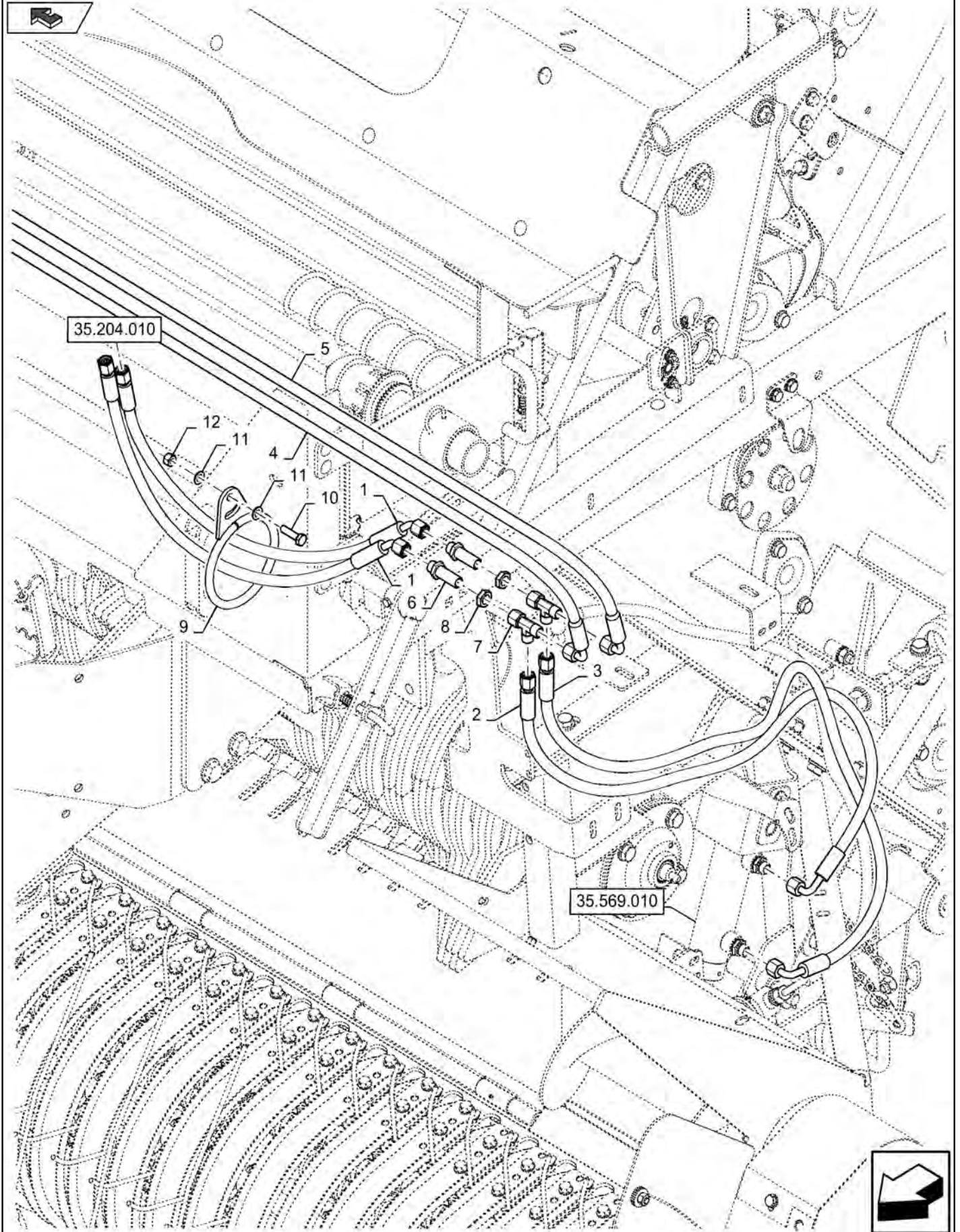
Orkel GP 1270 Kombi/ Orkel GP 1270S

35.569.020

p1

4/2017

DROP FLOOR HYDRAULIC LINES



35.569.020

p1

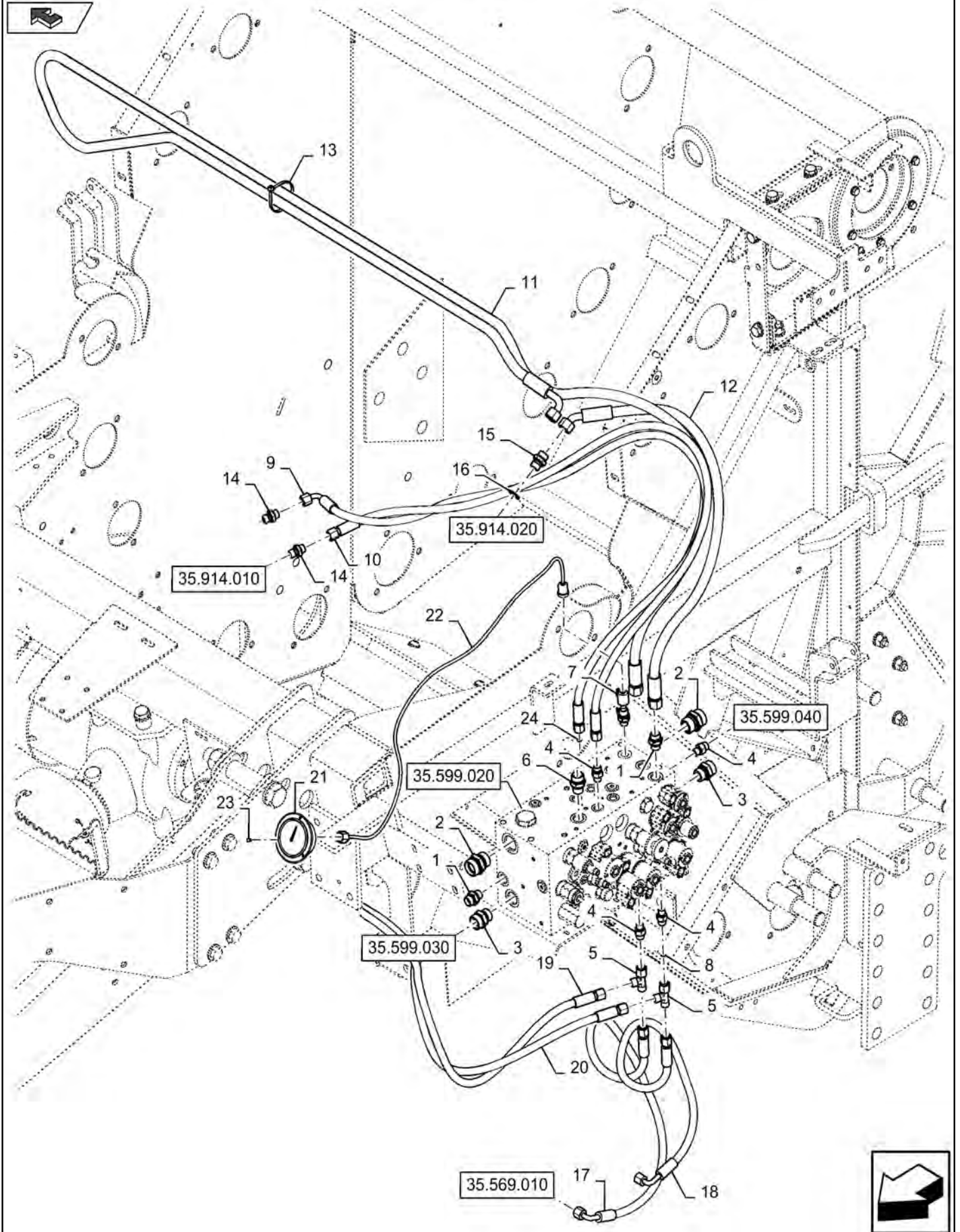
4/2017

DROP FLOOR HYDRAULIC LINES

REF FN	PART NUMBER	YR/SN	QTY DESCRIPTION
1	47740857		2 HYDRAULIC HOSE L=0.7M
2	47740866		1 HYDRAULIC HOSE L=0.95M
3	47740868		1 HYDRAULIC HOSE L=1.2M
4	47740870		1 HYDRAULIC HOSE L=3.45M
5	47740872		1 HYDRAULIC HOSE L=3.25M
6	87479525		2 FITTING
7	84064562		2 HYD CONNECTOR
8	87493574		2 NUT
9	47711979		1 RING
10	43128		2 BOLT M8 x 1.25 x 30mm, CI 8.8
11	86511315		4 WASHER 8.4mm ID x 16mm OD x 1.8mm Thk
12	14048211		2 NUT M8 x 1.25, CI 8

Orkel GP 1270 Kombi/ Orkel GP 1270S

MANIFOLD HYDRAULIC LINES

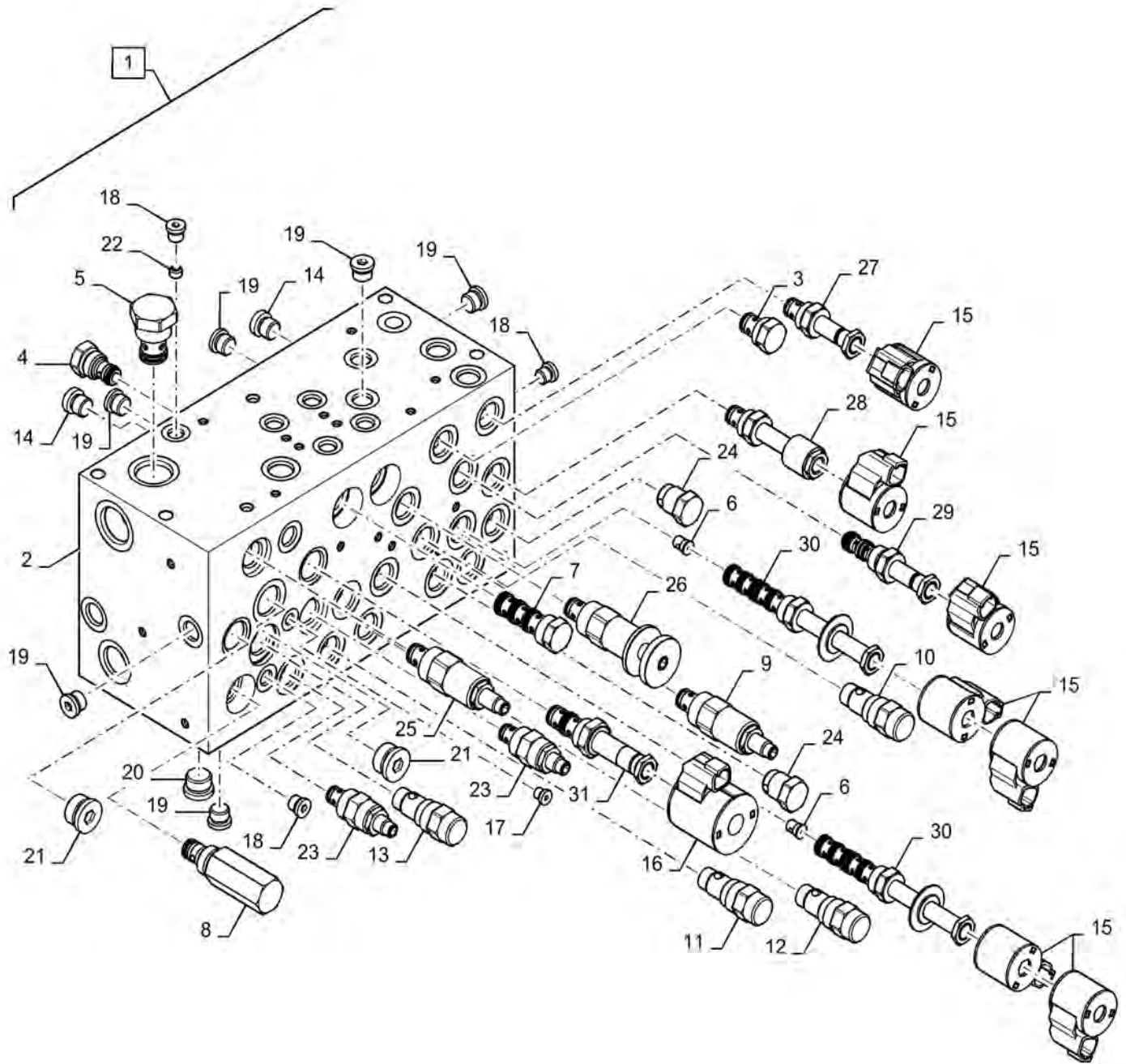


MANIFOLD HYDRAULIC LINES

REF FN	PART NUMBER	YR/SN	QTY DESCRIPTION
1	87699341		3 FITTING
2	47682517		2 FITTING
3	87343790		2 FITTING
4	9850318		6 HYD CONNECTOR
5	84064562		2 HYD CONNECTOR
6	47682515		1 FITTING
7	47870060		1 QUICK MALE COUPLING
8	350656		1 PIN
9	47698726		1 HYDRAULIC HOSE L=1.5M
10	47698727		1 HYDRAULIC HOSE L=1.45M
11	47698722		1 HYDRAULIC HOSE L=3.65M
12	47698725		1 HYDRAULIC HOSE L=0.85M
13	L11541		9 CABLE TIE 203.2mm L, Nylon
14	1665749		2 TEE
15	397977		2 HYD CONNECTOR
16	47490084		2 WASHER
17	47740877		1 HYDRAULIC HOSE L=0.65M
18	47740878		1 HYDRAULIC HOSE L=1.0M
19	47740880		1 HYDRAULIC HOSE L=3.95M
20	47740882		1 HYDRAULIC HOSE L=3.85M
21	47870057		1 GAUGE
22	47870058		1 HOSE
23	14641491		3 RIVET Tr Hd, M3.2 x 10, Aluminum
24	47886913		1 ORIFICE

Orkel GP 1270 Kombi/ Orkel GP 1270S

MAIN MANIFOLD



MAIN MANIFOLD

REF FN	PART NUMBER	YR/SN	QTY DESCRIPTION
1	47844660		1 HYDRAULIC MANIFOLD Incl 2 - 31
2	NSS		1 NOT SOLD SEPARAT Block Incl in 1
3	47868534		1 CHECK VALVE
4	47868577		1 CHECK VALVE
5	47868654		1 CHECK VALVE
6	47868653		3 CHECK VALVE
7	47868570		2 CHECK VALVE
8	47868652		1 PILOT VALVE
9	47868651		1 REGULATOR
10	47868650		1 REGULATOR
11	47868649		1 REGULATOR
12	47868648		1 REGULATOR
13	47868647		1 REGULATOR
14	47868645		3 CHECK VALVE
15	47868644		9 COIL
16	47868532		1 COIL
17	47868643		1 HEX SOCKET PLUG
18	47868530		3 HEX SOCKET PLUG
19	47868642		8 HEX SOCKET PLUG
20	47868641		1 HEX SOCKET PLUG
21	47868640		2 HEX SOCKET PLUG
22	47868622		1 ORIFICE
23	47868619		2 NEEDLE VALVE
24	47868616		2 CHECK VALVE
25	47868601		1 VALVE PRESSURE RELIE
26	47868596		1 VALVE PRESSURE RELIE
27	47868592		1 SOLENOID VALVE
28	47868588		1 SOLENOID VALVE
29	47868584		1 SOLENOID VALVE
30	47868583		3 SOLENOID VALVE
31	47868581		1 SOLENOID VALVE

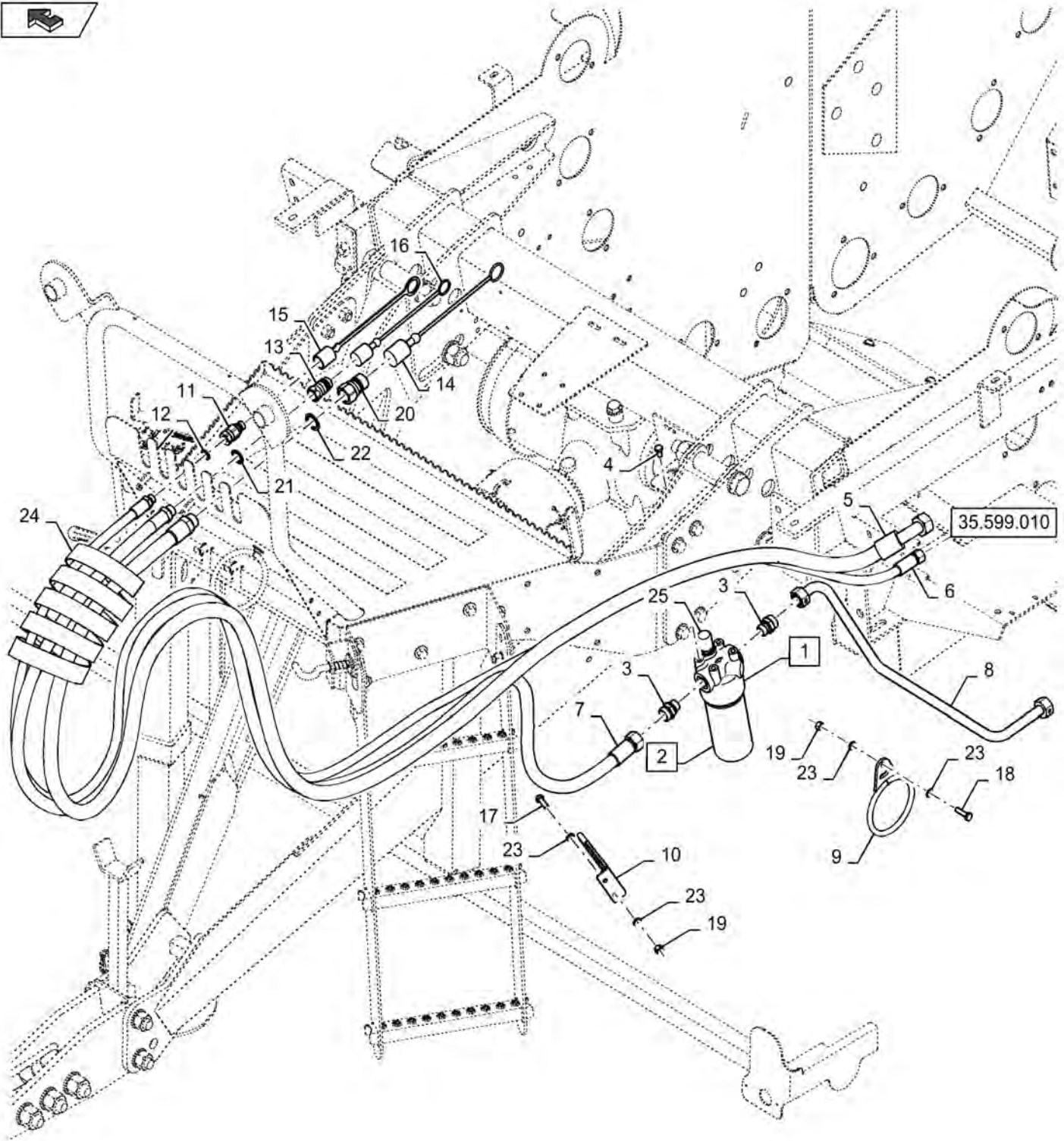
Orkel GP 1270 Kombi/ Orkel GP 1270S

35.599.030

p1

4/2017

HYDRAULIC OIL FILTER



35.599.010

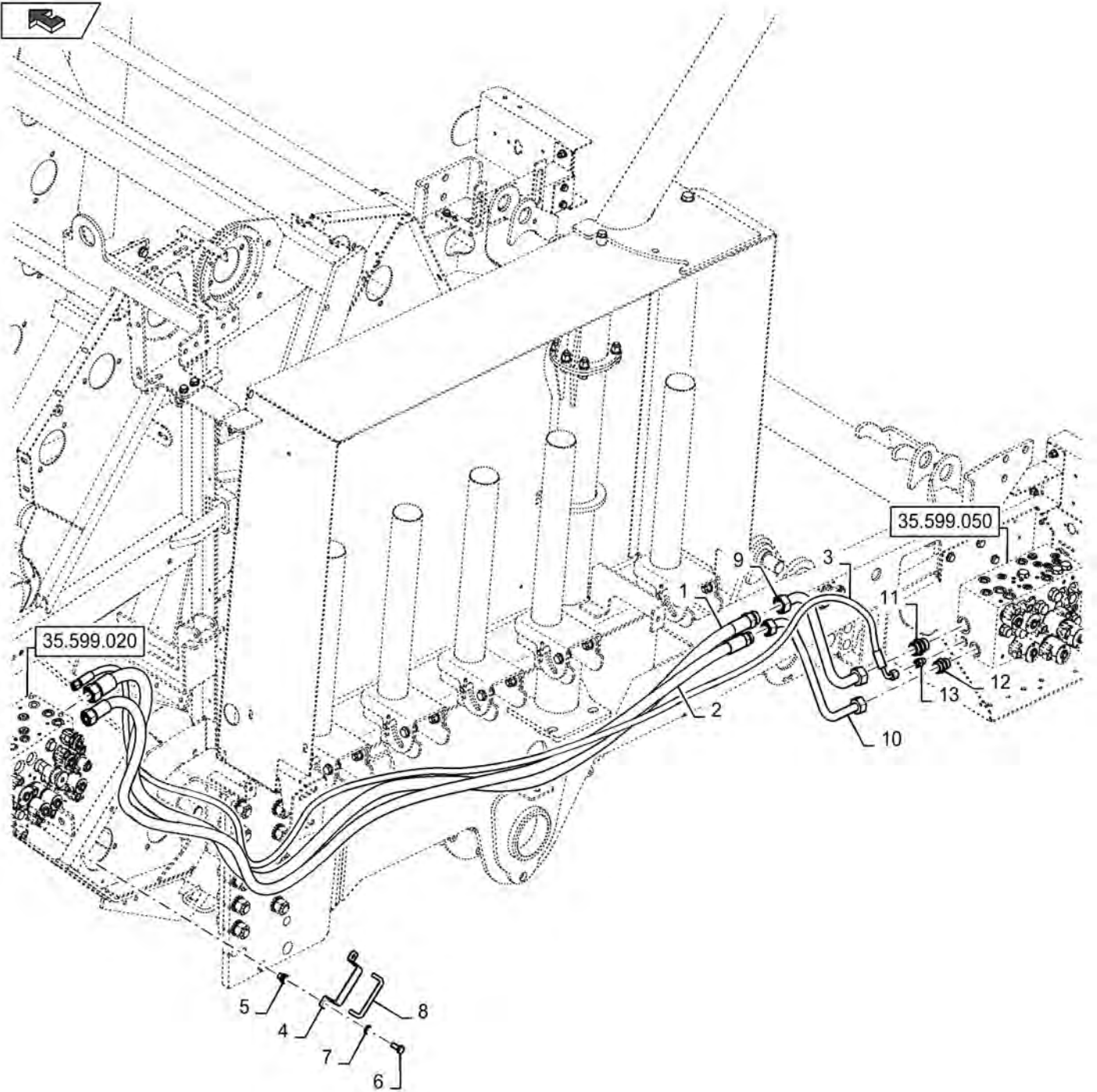


HYDRAULIC OIL FILTER

REF FN	PART NUMBER	YR/SN	QTY DESCRIPTION
1	47698714		1 HYDRAULIC OIL FILTER Incl 2 - 4
2	1 47691234		1 HYDRAULIC OIL FILTER Incl 25
3	8411057		2 SOCKET
4	120103		4 BOLT M8 x 1.25 x 16mm, Cl 8.8
5	47698711		1 HYDRAULIC HOSE
6	47698713		1 HYDRAULIC HOSE
7	47698704		1 HYDRAULIC HOSE
8	47698692		1 PIPE
9	47711979		1 RING
10	48061075		1 RING
11	47512755		1 QUICK MALE COUPLING
12	47490068		1 SEALING WASHER
13	47896297		1 QUICK MALE COUPLING
14	47508002		1 CAP
15	86621124		1 DUST CAP
16	84819676		1 PROTECTION CAP
17	43127		2 BOLT Hex, M8 x 1.25 x 25mm, Cl 8.8
18	43128		2 BOLT M8 x 1.25 x 30mm, Cl 8.8
19	14048211		4 NUT M8 x 1.25, Cl 8
20	47876570		1 QUICK MALE COUPLING
21	47490086		1 WASHER
22	47490126		1 SEALING WASHER
23	86511315		8 WASHER 8.4mm ID x 16mm OD x 1.8mm Thk
24	47507975		1 SHIELD L=2.6M
25	47698745		1 INDICATOR
(1)	MAINTENANCE PART		

Orkel GP 1270 Kombi/ Orkel GP 1270S

HYDRAULIC MANIFOLD LINES

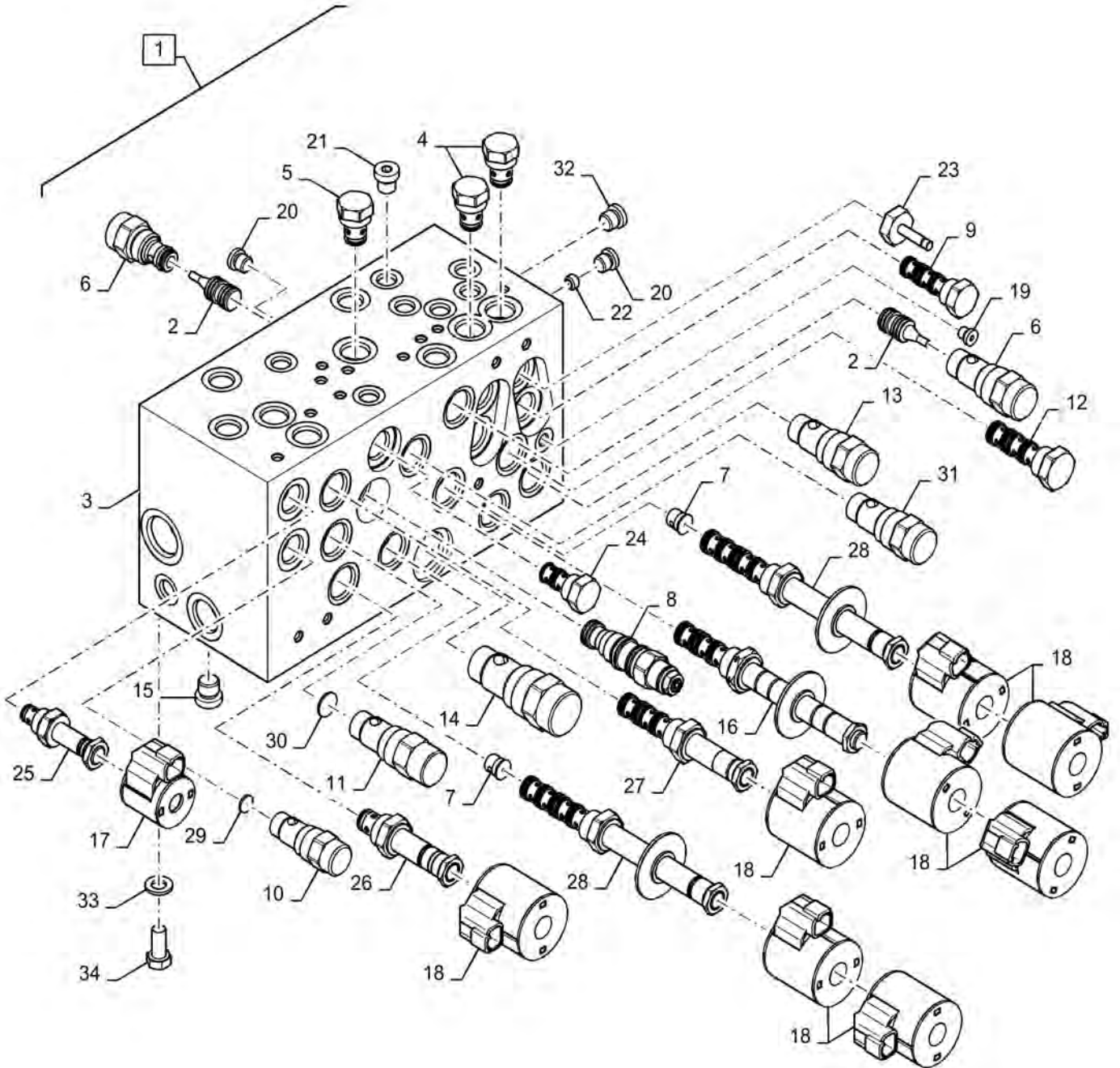


HYDRAULIC MANIFOLD LINES

REF FN	PART NUMBER	YR/SN	QTY DESCRIPTION
1	47957008		1 HYDRAULIC HOSE L=3.25M
2	47957007		1 HYDRAULIC HOSE L=3.25M
3	47699670		1 HYDRAULIC HOSE L=3.6M
4	47711927		1 HOSE CLAMP
5	47447328		2 THREADED INSERT
6	120104		2 BOLT Hex, M8 x 1.25 x 20mm, CI 8.8
7	86511315		2 WASHER 8.4mm ID x 16mm OD x 1.8mm Thk
8	401223		2 PROFILE L=0.15M
9	47957006		1 PIPE
10	47957005		1 PIPE
11	47682517		1 FITTING
12	87343790		1 FITTING
13	9850318		1 HYD CONNECTOR

Orkel GP 1270 Kombi/ Orkel GP 1270S

MAIN MANIFOLD WRAPPER



35.599.050

p1

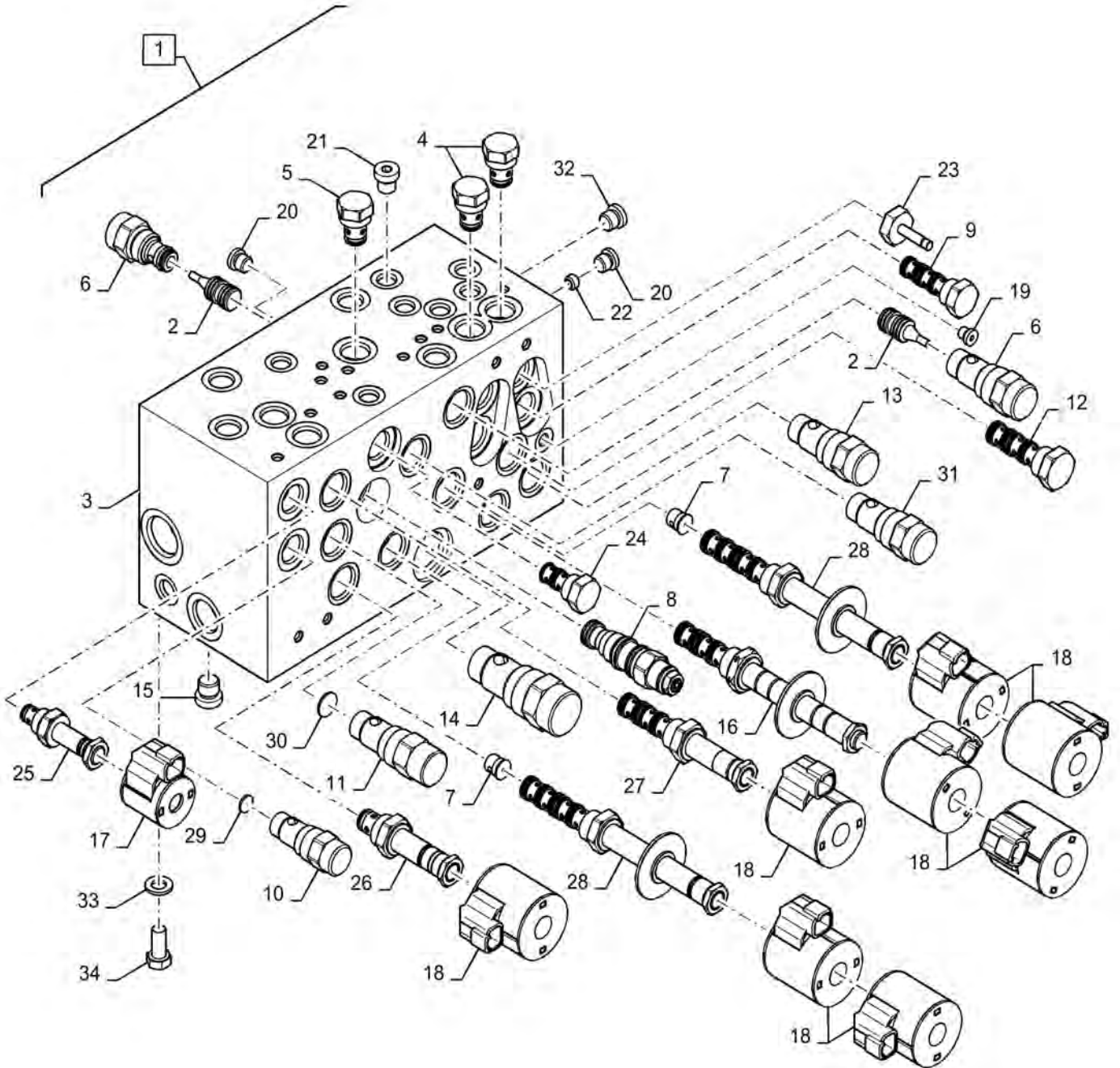
4/2017

MAIN MANIFOLD WRAPPER

REF FN	PART NUMBER	YR/SN	QTY DESCRIPTION
1	47844661		1 HYDRAULIC MANIFOLD Incl 2 - 32
2	47868579		2 CHECK VALVE
3	NSS		1 NOT SOLD SEPARAT Block Incl in 1
4	47868534		2 CHECK VALVE
5	47868577		1 CHECK VALVE
6	47868575		2 CHECK VALVE
7	47868573		2 CHECK VALVE
8	47868567		1 VALVE
9	47868572		2 CHECK VALVE
10	48025914		1 VALVE
11	47868568		1 VALVE
12	47868566		1 FLOW DIVIDER
13	47868565		1 FLOW CONTROL VALVE
14	47868563		1 FLOW CONTROL VALVE
15	47868562		4 CHECK VALVE
16	47868561		1 SOLENOID VALVE
17	47868644		1 COIL
18	47868532		8 COIL
19	47868643		1 HEX SOCKET PLUG
20	47868530		3 HEX SOCKET PLUG
21	47926335		1 HEX SOCKET PLUG
22	47868557		1 ORIFICE
23	47926346		2 NEEDLE VALVE
24	47926347		1 CHECK VALVE
25	48025913		1 FLOW CONTROL VALVE
26	47868555		1 FLOW CONTROL VALVE
27	47868554		1 SOLENOID VALVE
28	47868553		2 SOLENOID VALVE
29	47926348		1 ORIFICE
30	47926349		1 ORIFICE
31	48043236		1 VALVE
32	47852129		1 HEX PLUG

Orkel GP 1270 Kombi/ Orkel GP 1270S

MAIN MANIFOLD WRAPPER



35.599.050

p2

4/2017

MAIN MANIFOLD WRAPPER

REF FN	PART NUMBER	YR/SN	QTY DESCRIPTION
33	412655		4 BELLEVILLE WASHER M10 Bolt Size x 20mm OD x 1.6mm Thk
34	43139		4 BOLT M10 x 1.5 x 25mm, Cl 8.8

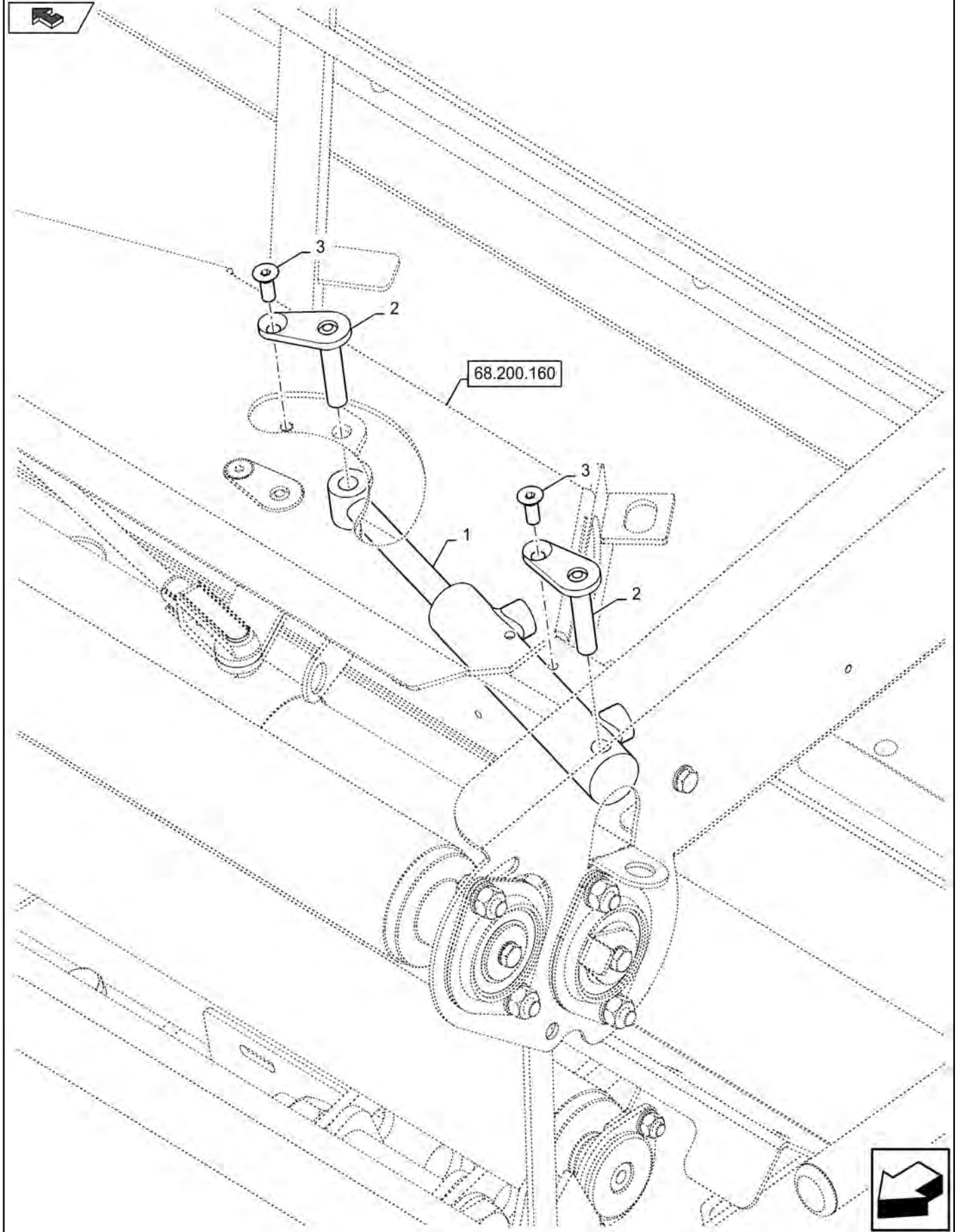
Orkel GP 1270 Kombi/ Orkel GP 1270S

35.914.010

p1

4/2017

PLASTIC WRAPPER ARMS HYDRAULIC CYLINDER



35.914.010

p1

4/2017

PLASTIC WRAPPER ARMS HYDRAULIC CYLINDER

REF FN	PART NUMBER	YR/SN	QTY DESCRIPTION
1	47461082		1 HYDRAULIC CYLINDER
2	47455884		2 PIN
3	14442021		2 SCREW Flat Csk Hd, M8 x 1.25 x 20mm, CI 8.8

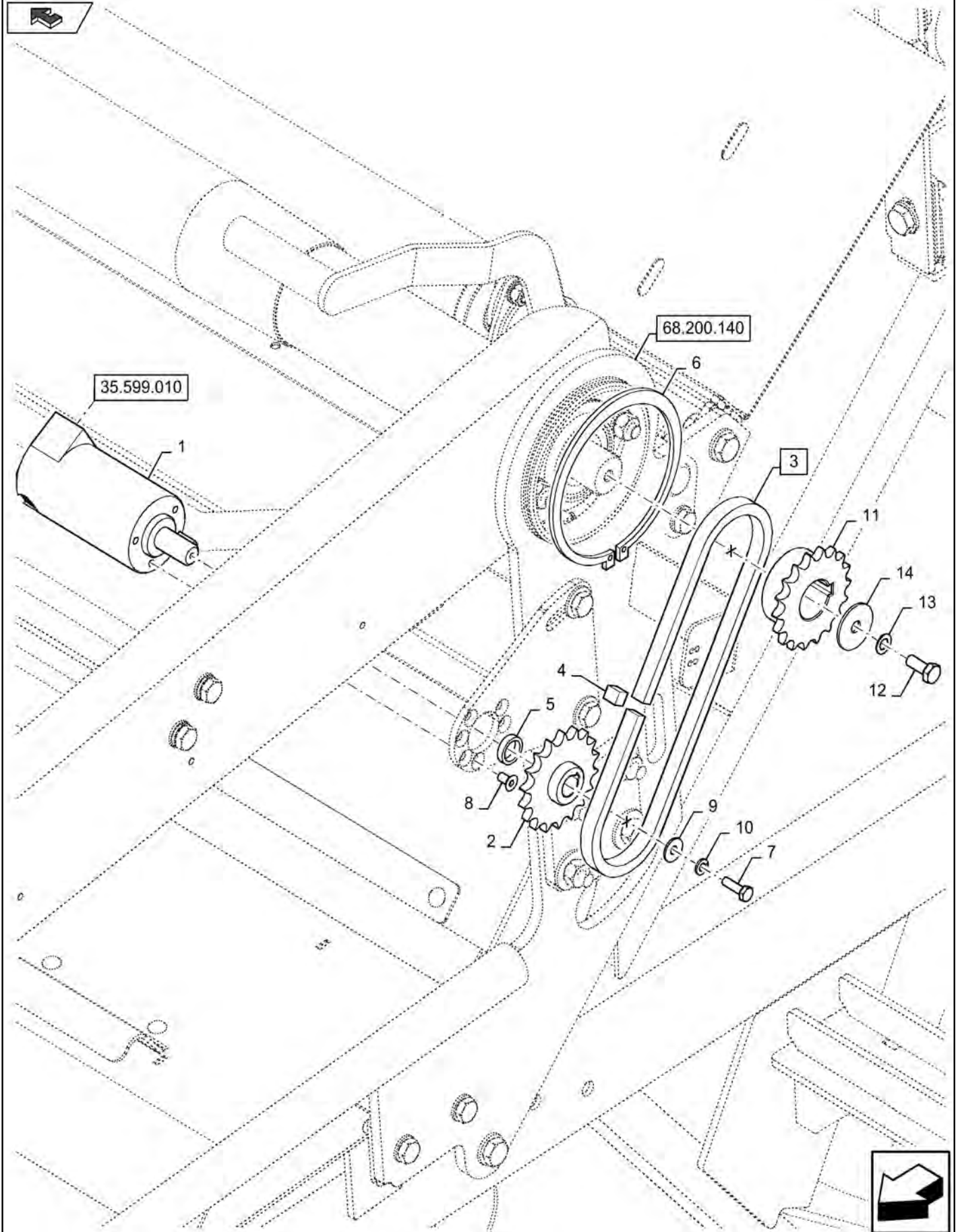
Orkel GP 1270 Kombi/ Orkel GP 1270S

35.914.020

p1

4/2017

PLASTIC WRAPPER HYDRAULIC MOTOR



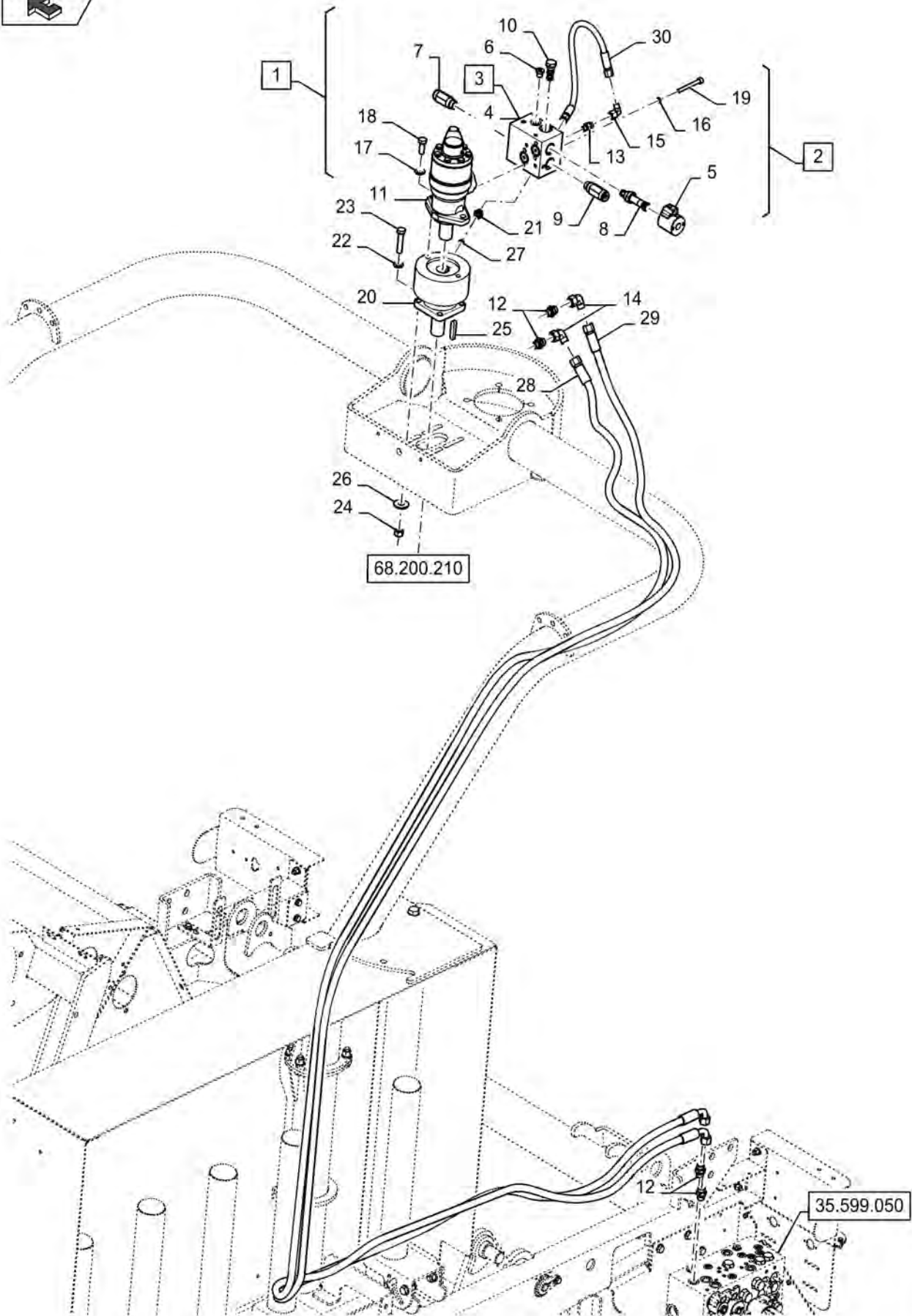
PLASTIC WRAPPER HYDRAULIC MOTOR

REF FN	PART NUMBER	YR/SN	QTY DESCRIPTION
1	84205000		1 HYDRAULIC MOTOR 31.6CC
2	1 47451343		1 SPROCKET
3	1 47461078		1 CHAIN incl 4
4	1 47461080		1 CHAIN
5	47461790		1 SPACER
6	11083176		1 SNAP RING M125, Ext
7	120100		1 BOLT M6 x 20mm, CI 8.8
8	73171233		3 HEX SOC SCREW Flat Hd, M6 x 12mm, CI 8.8
9	86624182		1 WASHER 6.6mm ID x 18mm OD x 1.6mm Thk
10	86517328		1 LOCK WASHER 6.1mm ID x 11.8mm OD x 1.7mm Thk
11	1 47451344		1 SPROCKET
12	120104		1 BOLT Hex, M8 x 1.25 x 20mm, CI 8.8
13	10571774		1 LOCK WASHER 8.1mm ID x 14.8mm OD x 2mm Thk
14	47464002		1 WASHER

(1) MAINTENANCE PART

Orkel GP 1270 Kombi/ Orkel GP 1270S

HYDRAULIC WRAPPER ARM MOTOR



HYDRAULIC WRAPPER ARM MOTOR

REF FN	PART NUMBER	YR/SN	QTY DESCRIPTION
1	47699619		1 HYDRAULIC MOTOR Incl 2 - 19
2	47996110		1 HYDRAULIC MANIFOLD Incl 3 - 10
3	48012819		1 HYDRAULIC MANIFOLD Incl 4
4	47868392		2 O-RING
5	47868396		1 COIL
6	47868393		1 PLUG
7	47973914		1 VALVE PRESSURE RELIEF
8	47973915		1 SOLENOID VALVE
9	48012813		1 VALVE PRESSURE RELIEF
10	47868577		2 CHECK VALVE
11	47817965		1 HYDRAULIC MOTOR
12	87699341		4 FITTING
13	9850318		1 HYD CONNECTOR
14	1636005		2 ELBOW
15	1636004		1 ELBOW
16	10569379		4 LOCK WASHER
17	86511324		2 WASHER 13mm ID x 24mm OD x 2.5mm Thk
18	9706687		2 BOLT M12 x 1.75 x 30mm, CI 8.8
19	14359421		4 HEX SOC SCREW M8 x 75mm, CI 8.8
20	47843651		1 BRAKE
21	84037257		1 HYD CONNECTOR
22	86511324		4 WASHER 13mm ID x 24mm OD x 2.5mm Thk
23	300512		4 BOLT Hex, M12 x 55mm, CI 8.8
24	84278115		4 NUT
25	84406850		1 KEY
26	87016607		4 WASHER 13.5mm ID x 37mm OD x 3mm Thk
27	47490068		1 SEALING WASHER
28	47699672		1 HYDRAULIC HOSE L=5.2M
29	47899977		1 HYDRAULIC HOSE L=5.2M
30	47699673		1 HYDRAULIC HOSE L=0.28M

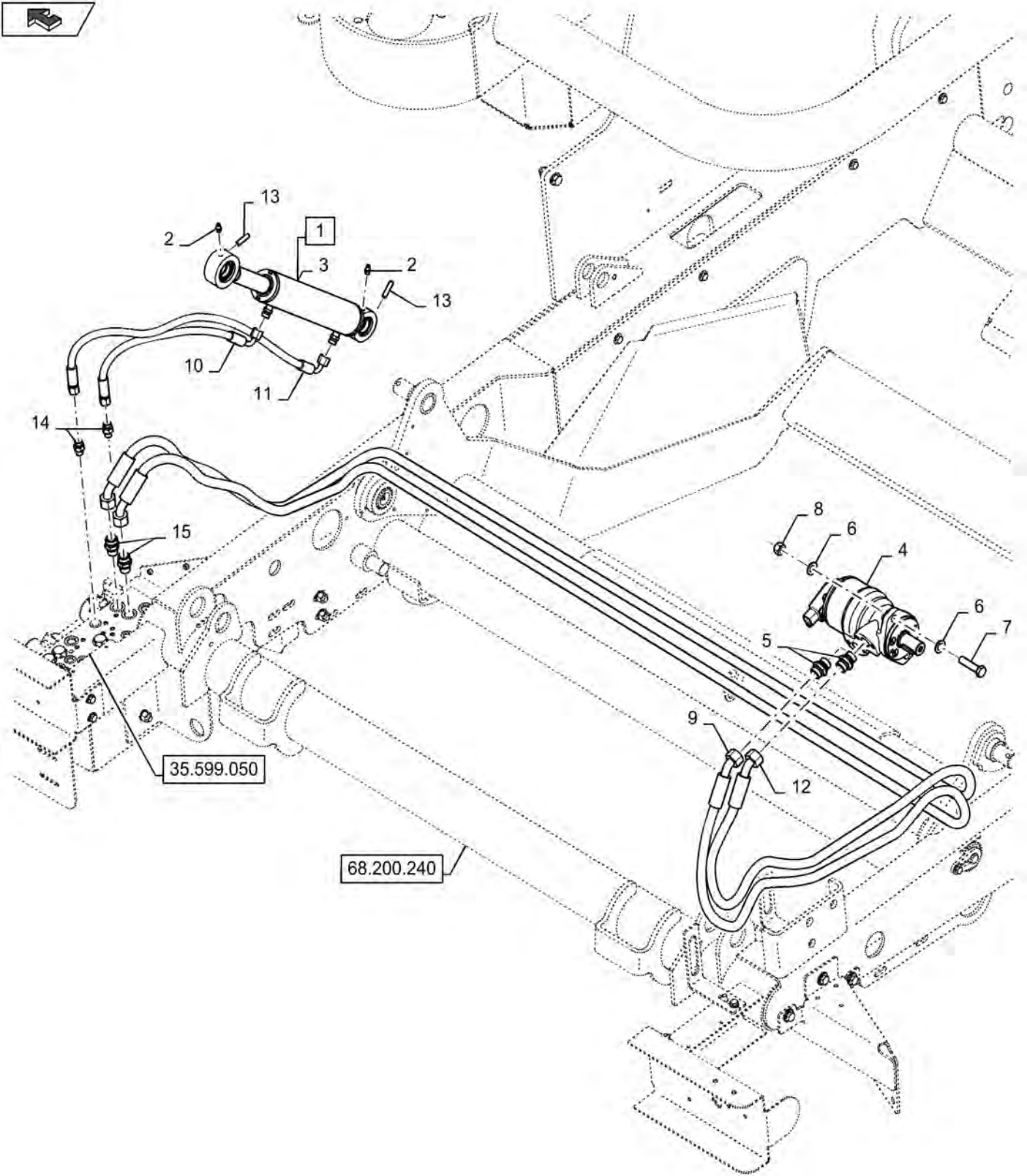
Orkel GP 1270 Kombi/ Orkel GP 1270S

35.914.040

p1

4/2017

COMBI WRAPPER LOADER HYDRAULIC CYLINDER AND MOTOR



35.599.050

68.200.240



35.914.040

p1

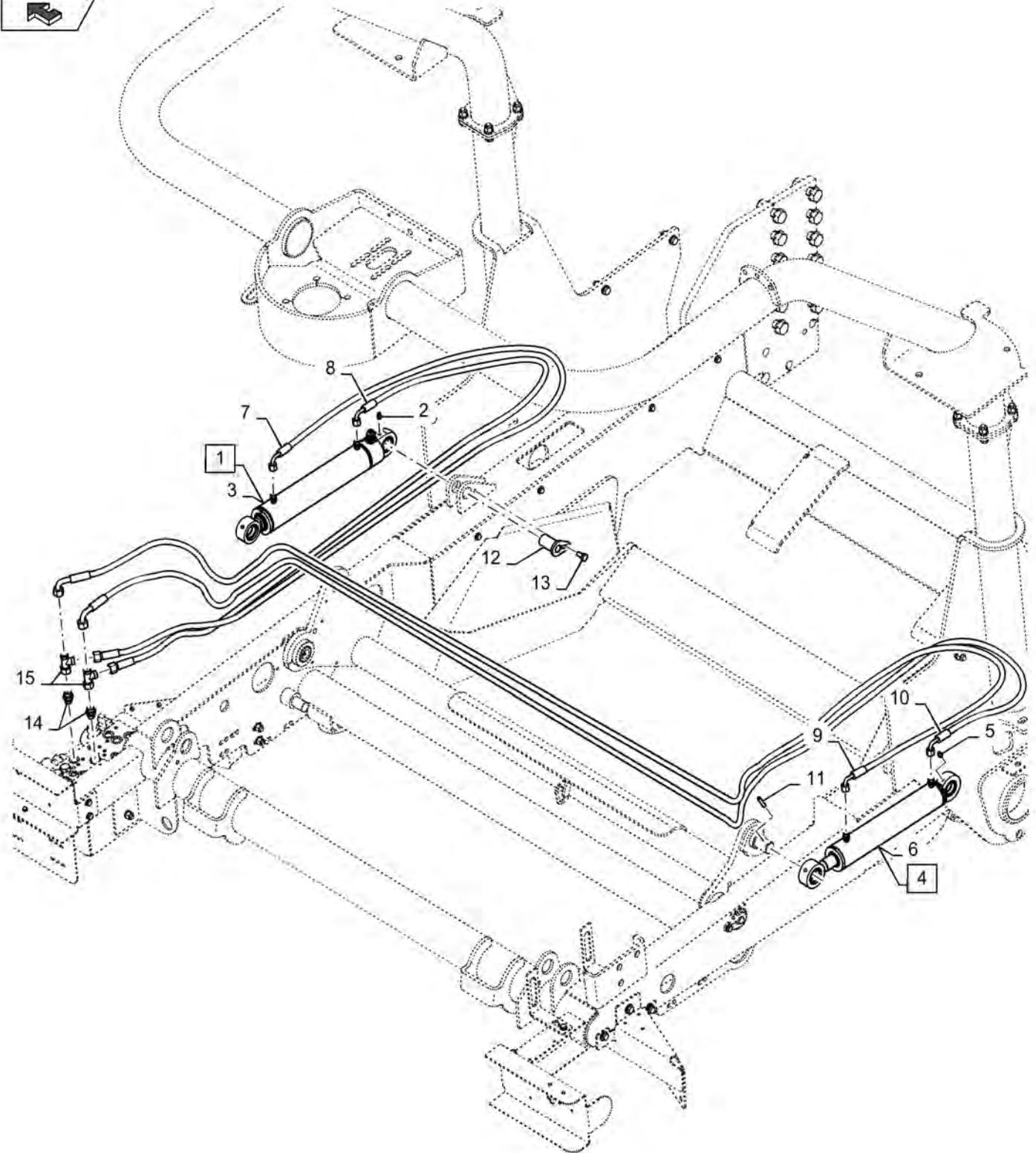
4/2017

COMBI WRAPPER LOADER HYDRAULIC CYLINDER AND MOTOR

REF FN	PART NUMBER	YR/SN	QTY DESCRIPTION
1	47667239		1 HYDRAULIC CYLINDER Incl 2 - 3
2	87563868		2 FITTING M8 x 1.17mm
3	47725713		1 SEAL KIT
4	47666792		1 HYDRAULIC MOTOR
5	51400939		2 HYD CONNECTOR
6	86511324		4 WASHER 13mm ID x 24mm OD x 2.5mm Thk
7	9706702		2 BOLT Hex, M12 x 1.75 x 50mm, Cl 8.8
8	84278115		2 NUT
9	47699674		1 HYDRAULIC HOSE
10	47699675		1 HYDRAULIC HOSE
11	47699676		1 HYDRAULIC HOSE
12	47899976		1 HYDRAULIC HOSE
13	14607074		2 ROLL PIN
14	9850318		2 HYD CONNECTOR
15	47682515		2 FITTING

Orkel GP 1270 Kombi/ Orkel GP 1270S

COMBI WRAPPER LOADER HYDRAULIC CYLINDER



35.914.050

p1

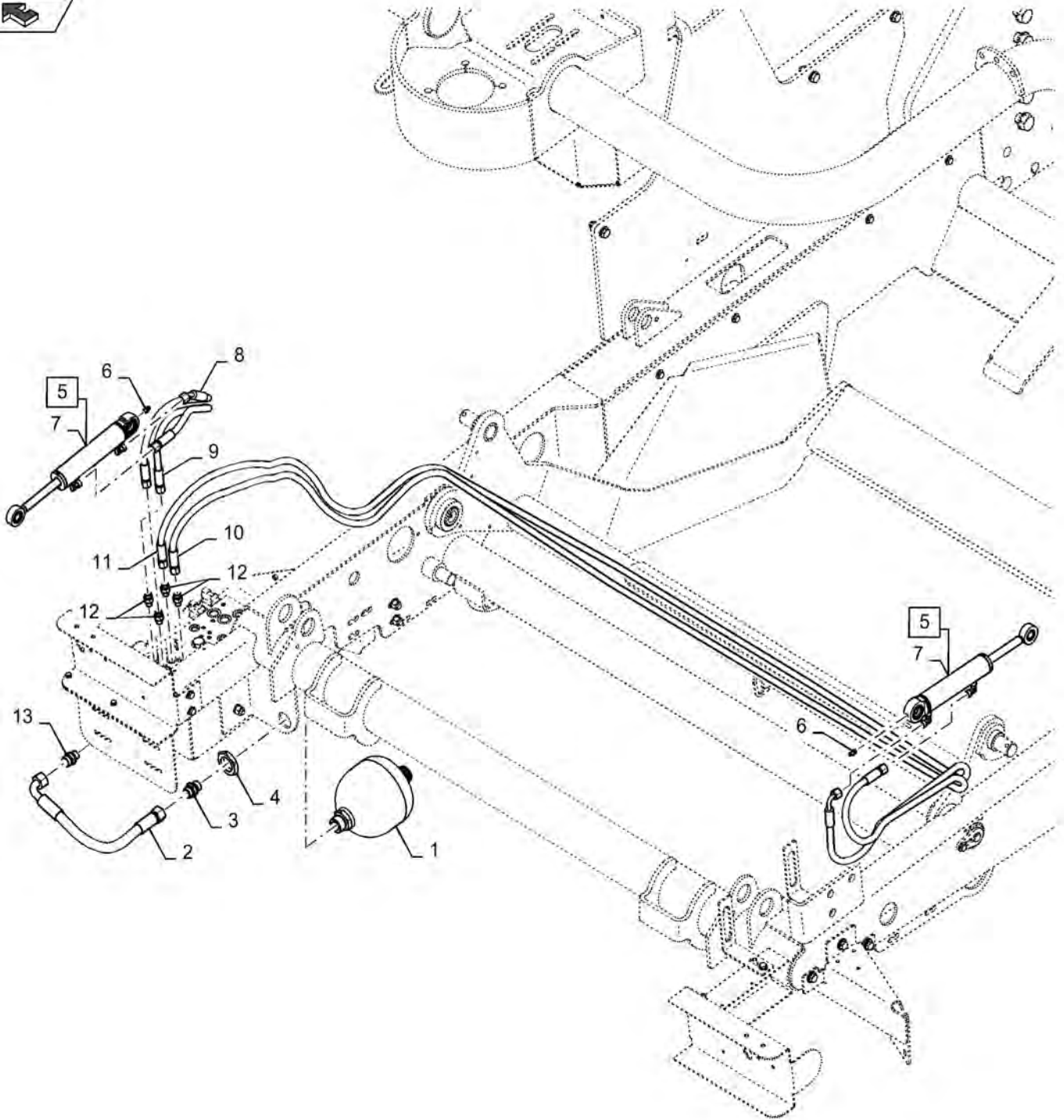
4/2017

COMBI WRAPPER LOADER HYDRAULIC CYLINDER

REF FN	PART NUMBER	YR/SN	QTY DESCRIPTION
1	47834735		1 HYDRAULIC CYLINDER Incl 2 - 3
2	87563868		2 FITTING M8 x 1.17mm
3	47901213		1 SEAL KIT
4	47838132		1 HYDRAULIC CYLINDER Incl 5 - 6
5	87563868		2 FITTING M8 x 1.17mm
6	47901063		1 SEAL KIT
7	47699677		1 HYDRAULIC HOSE
8	47699678		1 HYDRAULIC HOSE
9	47699679		1 HYDRAULIC HOSE
10	47699680		1 HYDRAULIC HOSE
11	14607270		2 LOCK PIN M8 x 40, Slotted
12	47699870		2 PIN
13	43138		2 BOLT Hex, M10 x 1.5 x 20mm, Cl 8.8
14	87699341		2 FITTING
15	84455036		2 3 WAY CONNECTION

Orkel GP 1270 Kombi/ Orkel GP 1270S

COMBI WRAPPER FILM CUTTER HYDRAULIC CYLINDERS AND ACCUMULATOR



35.914.060

p1

4/2017

COMBI WRAPPER FILM CUTTER HYDRAULIC CYLINDERS AND ACCUMULATOR

REF FN	PART NUMBER	YR/SN	QTY DESCRIPTION
1	47691239		1 ACCUMULATOR
2	48033054		1 HYDRAULIC HOSE
3	47682514		1 FITTING
4	47692580		1 NUT
5	47854438		2 HYDRAULIC CYLINDER Incl 6 - 7
6	87563868		1 FITTING M8 x 1.17mm
7	47901157		1 SEAL KIT
8	47699681		1 HYDRAULIC HOSE
9	47699682		1 HYDRAULIC HOSE
10	47699683		1 HYDRAULIC HOSE
11	47699684		1 HYDRAULIC HOSE
12	9850318		4 HYD CONNECTOR
13	2928383		1 HYD CONNECTOR

Orkel GP 1270 Kombi/ Orkel GP 1270S

SECTION INDEX

FRAMES AND BALLASTING

39.000.00	01	SECTION INDEX - FRAMES AND BALLASTING
39.100.010		MAIN FRAME
39.100.020		MAIN FRAME
39.100.030		TAILGATE FRAME
39.100.040		TAILGATE FRAME
39.100.050		TAILGATE LATCH
39.100.060		COMBI WRAPPER MAIN FRAME
39.110.010		DRAWBAR
39.110.020		JACK
39.110.030		JACK, FOR SCANDINAVIA ONLY
39.110.040		FIXED RING HITCH
39.110.050		PIVOT RING HITCH
39.110.060		SWIVEL BALL HITCH - C323
39.110.061		SWIVEL BALL HITCH - D324
39.110.070		HITCH CABLE

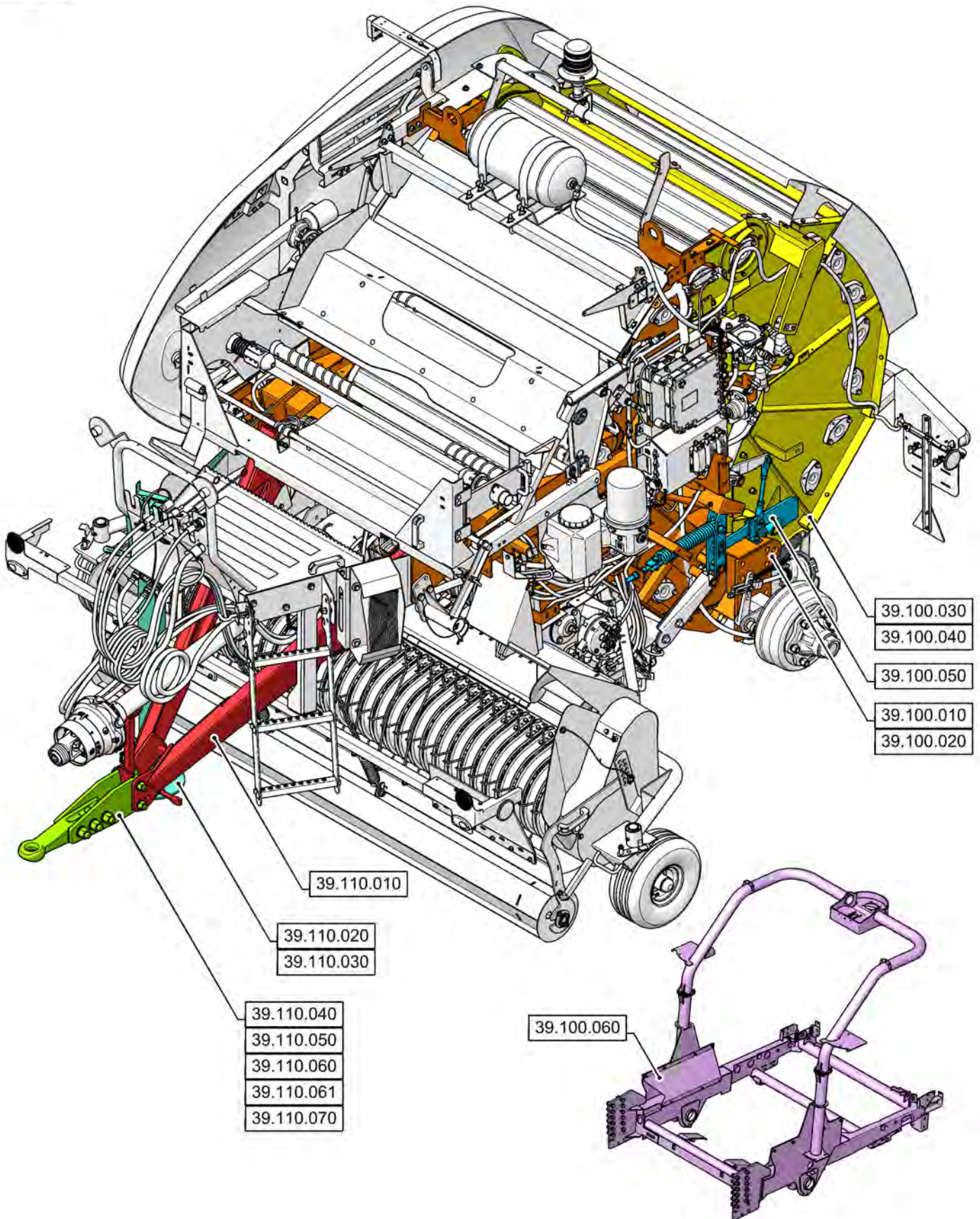
39.000.00

01

p1

4/2017

SECTION INDEX - FRAMES AND BALLASTING



39.000.00

01

p1

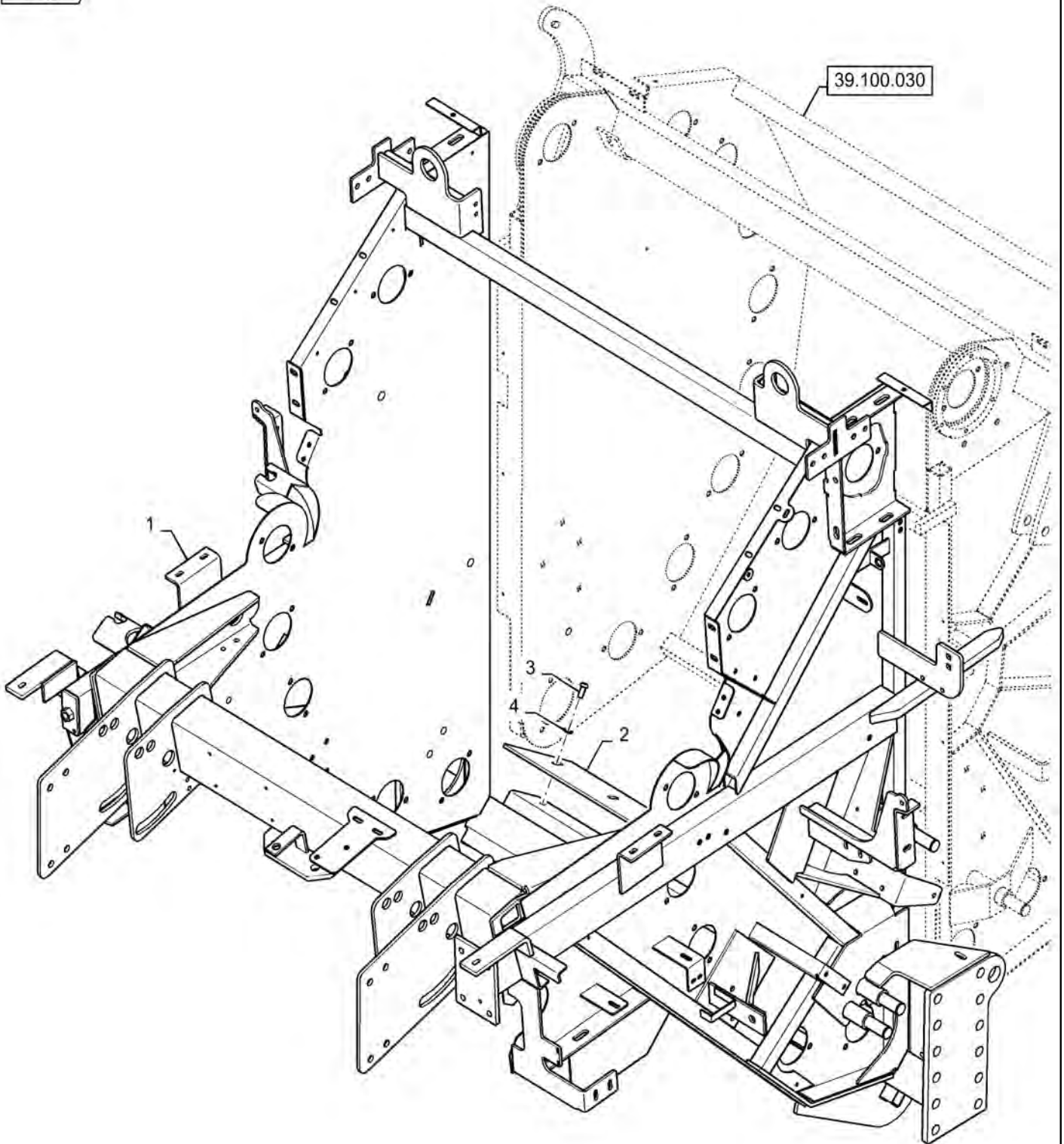
4/2017

SECTION INDEX - FRAMES AND BALLASTING

REF FN	PART NUMBER	YR/SN	QTY DESCRIPTION
---------------	--------------------	--------------	------------------------

Orkel GP 1270 Kombi/ Orkel GP 1270S

MAIN FRAME

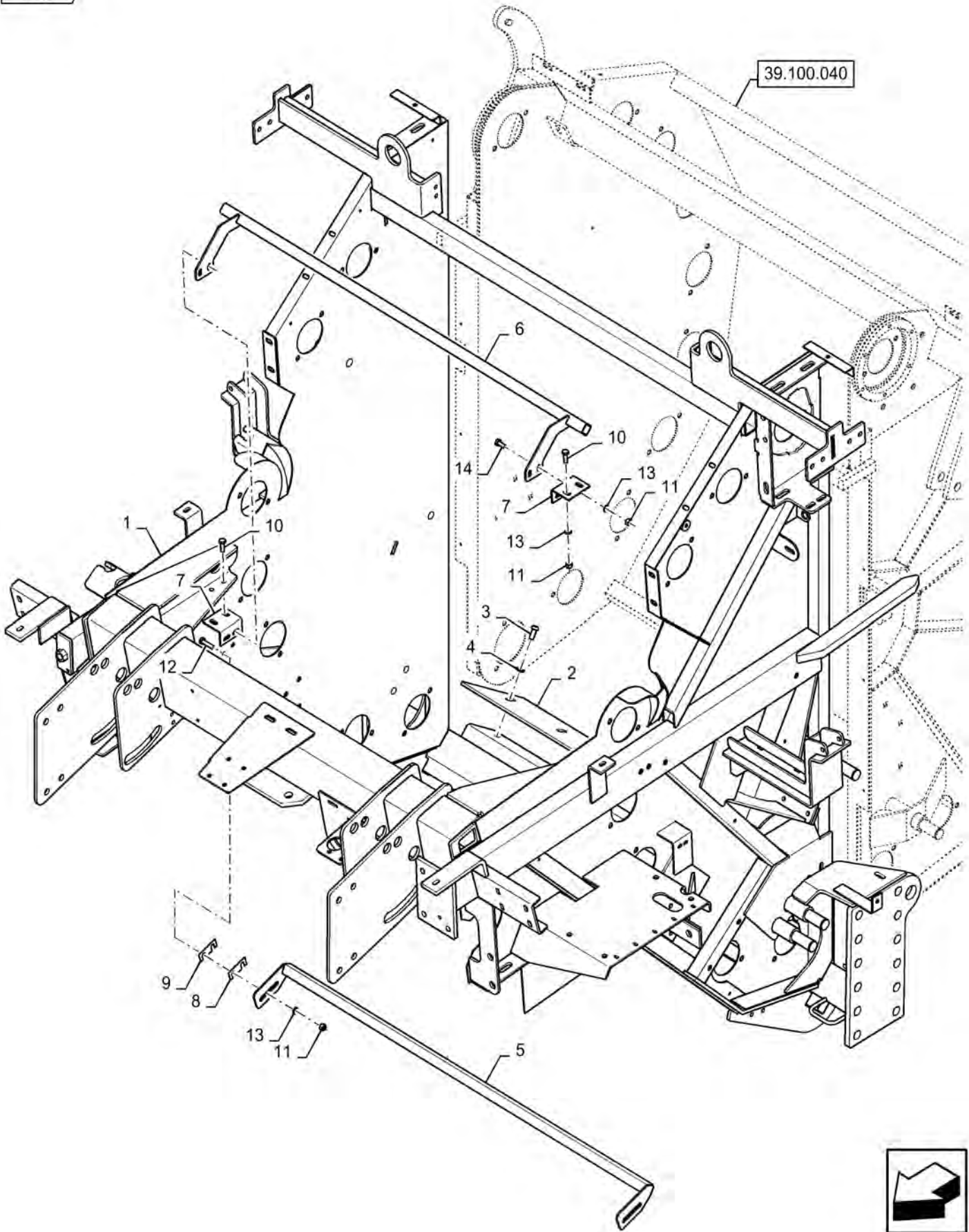


MAIN FRAME

REF FN	PART NUMBER	YR/SN	QTY DESCRIPTION
1	47674476		1 FRAME
2	47941620		1 PLATE
3	84382749		7 SCREW BTN HD, M10 x 1.5 x 25mm, CI 8.8
4	86624176		7 WASHER 11mm ID x 20mm OD x 2mm Thk

Orkel GP 1270 Kombi/ Orkel GP 1270S

MAIN FRAME

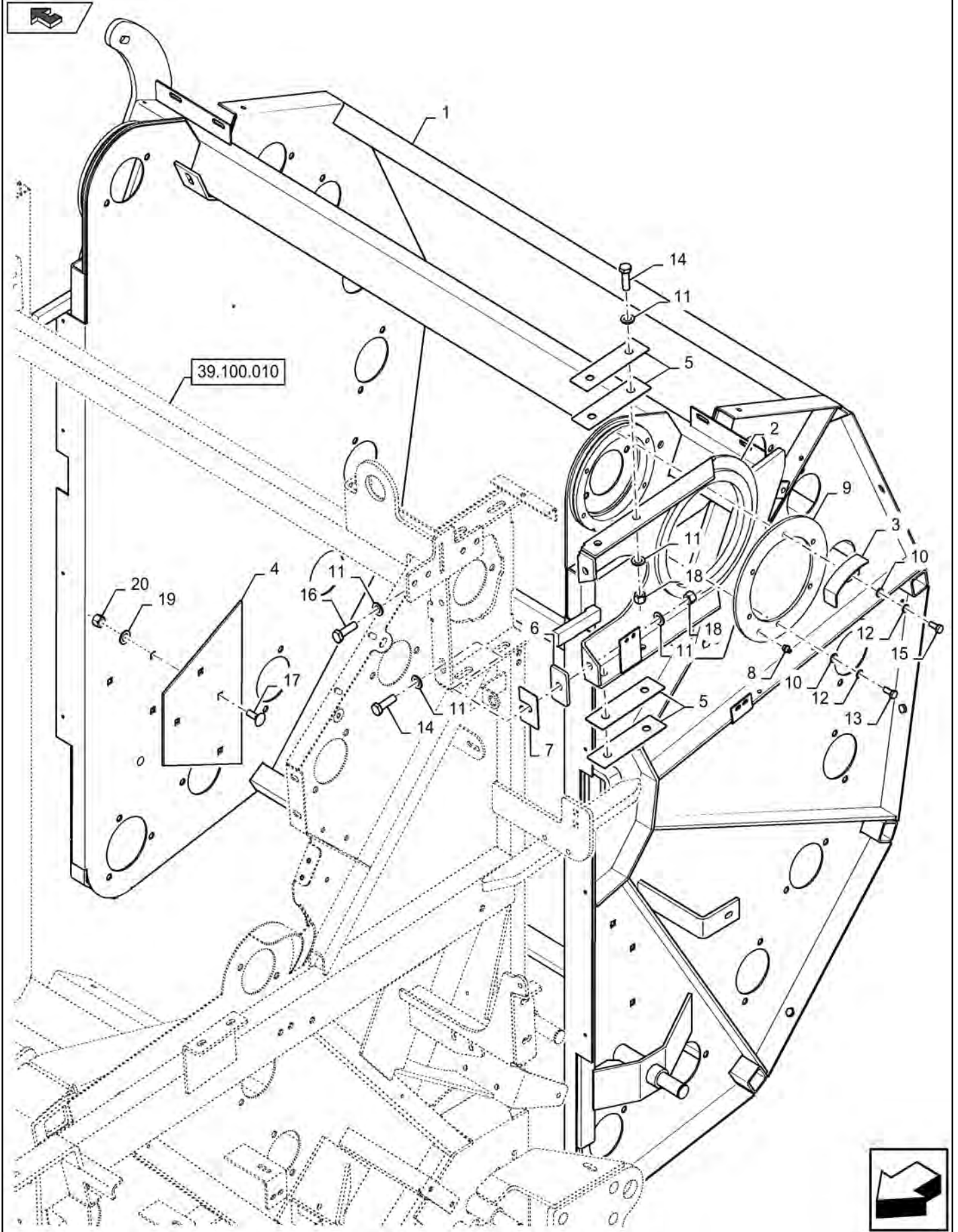


MAIN FRAME

REF FN	PART NUMBER	YR/SN	QTY DESCRIPTION
1	47674517		1 FRAME
2	47941620		1 PLATE
3	84382749		7 SCREW BTN HD, M10 x 1.5 x 25mm, CI 8.8
4	86624176		7 WASHER 11mm ID x 20mm OD x 2mm Thk
5	47858274		1 TUBE
6	47622880		1 TUBE
7	47622875		2 BRACKET
8	47687655		8 PLATE
9	47687599		8 PLATE
10	43127		4 BOLT Hex, M8 x 1.25 x 25mm, CI 8.8
11	437013		12 NUT
12	412479		4 BOLT Hex, M8 x 1.25 x 35mm, CI 8.8
13	86624184		12 WASHER 9mm ID x 16mm OD x 1.6mm Thk
14	120104		4 BOLT Hex, M8 x 1.25 x 20mm, CI 8.8

Orkel GP 1270 Kombi/ Orkel GP 1270S

TAILGATE FRAME

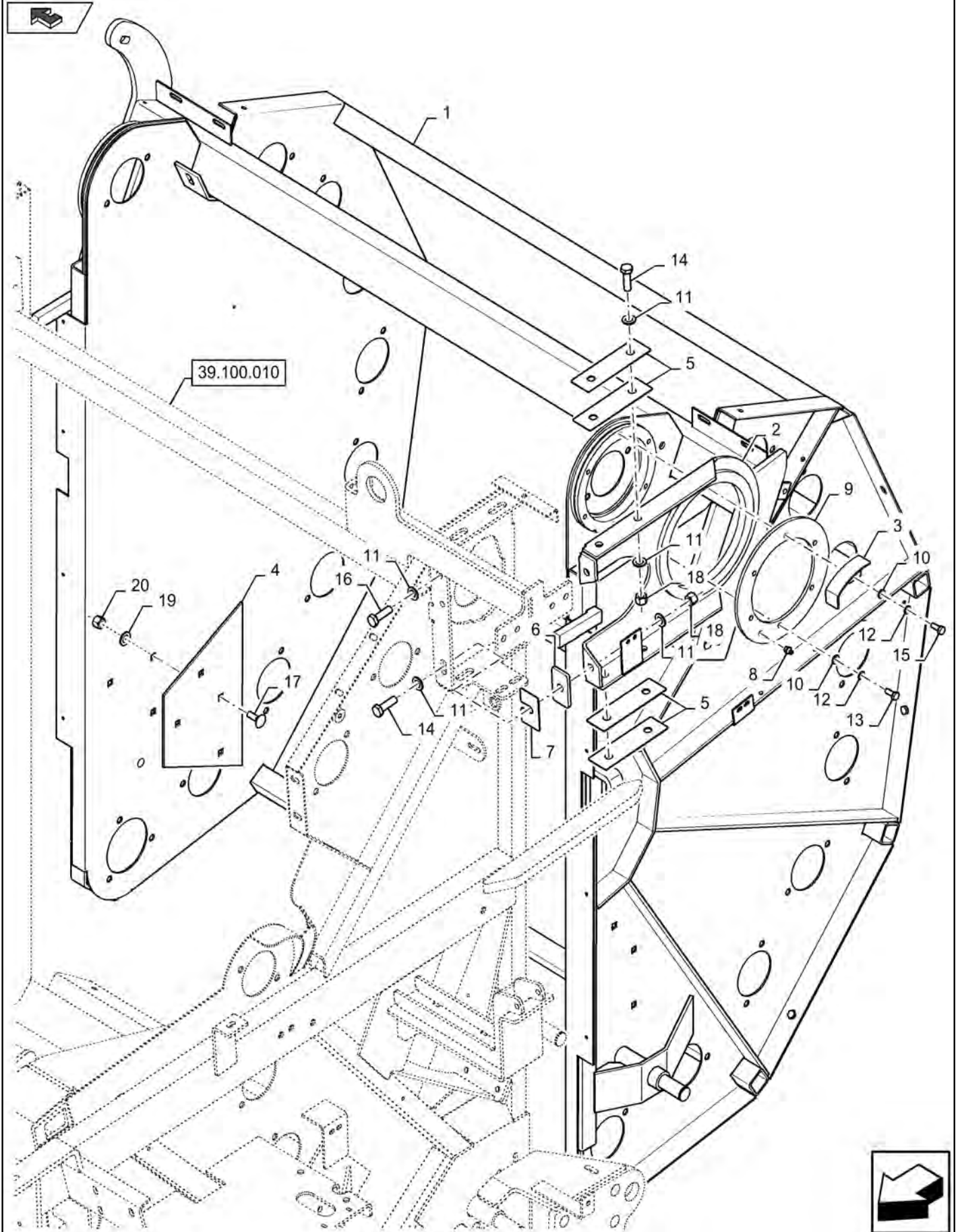


TAILGATE FRAME

REF FN	PART NUMBER	YR/SN	QTY DESCRIPTION
1	47838596		1 TAILGATE
2	47875654		1 HINGE LH
2	47441004		1 HINGE RH
3	47875653		1 PLATE
4	47835700		2 PLATE
5	47440249		8 SHIM
6	47440251		4 SHIM
7	47440248		4 SHIM
8	9838669		1 LUBE NIPPLE LH
8	84022088		1 LUBE NIPPLE RH
9	47440262		2 LOCK WASHER
10	10571774		12 LOCK WASHER 8.1mm ID x 14.8mm OD x 2mm Thk
11	86511324		24 WASHER 13mm ID x 24mm OD x 2.5mm Thk
12	86624184		12 WASHER 9mm ID x 16mm OD x 1.6mm Thk
13	120104		11 BOLT Hex, M8 x 1.25 x 20mm, CI 8.8
14	337563		10 BOLT M12 x 1.75 x 47.68mm, CI 10.9
15	43127		1 BOLT Hex, M8 x 1.25 x 25mm, CI 8.8
16	412087		2 BOLT Hex, M12 x 1.75 x 45mm, CI 10.9, Full Thd
17	86512424		8 CARRIAGE BOLT Sq Nk, M10 x 30mm, CI 8.8, Full Thd
18	87497918		12 NUT
19	86511323		8 WASHER 10.5mm ID x 20mm OD x 2mm Thk
20	12577211		8 LOCK NUT M10 x 1.5mm Pitch, 12.30mm High, CI 8, ZND

Orkel GP 1270 Kombi/ Orkel GP 1270S

TAILGATE FRAME

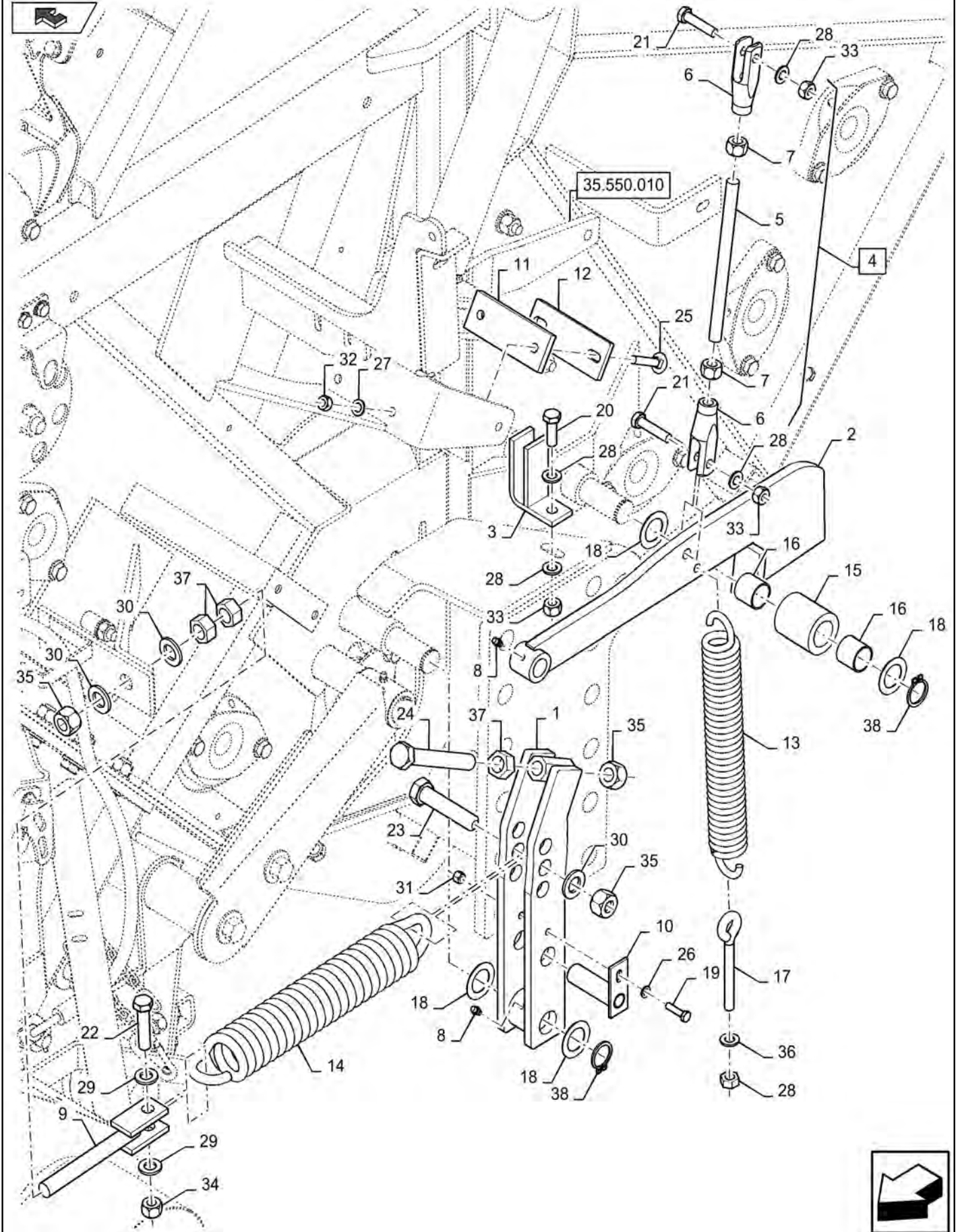


TAILGATE FRAME

REF FN	PART NUMBER	YR/SN	QTY DESCRIPTION
1	47841505		1 TAILGATE
2	47875654		1 HINGE LH
2	47441004		1 HINGE RH
3	47875653		1 PLATE
4	47835700		2 PLATE
5	47440249		8 SHIM
6	47440251		4 SHIM
7	47440248		4 SHIM
8	9838669		1 LUBE NIPPLE LH
8	84022088		1 LUBE NIPPLE RH
9	47440262		2 LOCK WASHER
10	10571774		12 LOCK WASHER 8.1mm ID x 14.8mm OD x 2mm Thk
11	86511324		20 WASHER 13mm ID x 24mm OD x 2.5mm Thk
12	86624184		12 WASHER 9mm ID x 16mm OD x 1.6mm Thk
13	120104		11 BOLT Hex, M8 x 1.25 x 20mm, CI 8.8
14	337563		10 BOLT M12 x 1.75 x 47.68mm, CI 10.9
15	43127		1 BOLT Hex, M8 x 1.25 x 25mm, CI 8.8
16	412087		2 BOLT Hex, M12 x 1.75 x 45mm, CI 10.9, Full Thd
17	86512424		8 CARRIAGE BOLT Sq Nk, M10 x 30mm, CI 8.8, Full Thd
18	87497918		12 NUT
19	86511323		8 WASHER 10.5mm ID x 20mm OD x 2mm Thk
20	12577211		8 LOCK NUT M10 x 1.5mm Pitch, 12.30mm High, CI 8, ZND

Orkel GP 1270 Kombi/ Orkel GP 1270S

TAILGATE LATCH

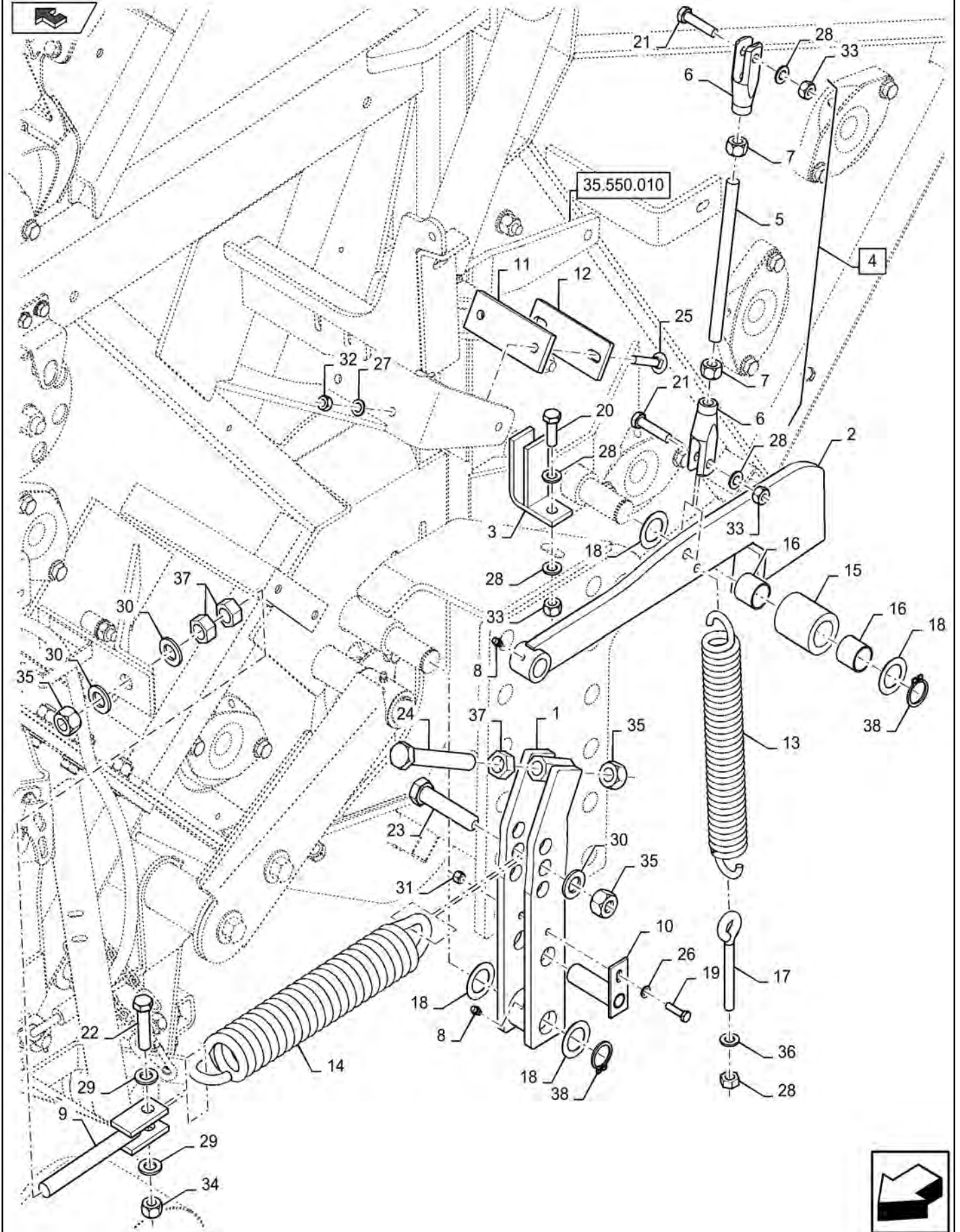


TAILGATE LATCH

REF FN	PART NUMBER	YR/SN	QTY DESCRIPTION
1	47470500		2 SUPPORT
2	47862824		1 HOOK LH
2	47862819		1 HOOK RH
3	47467202		2 SUPPORT
4	47477689		2 ROD Incl 5 - 7
5	47477687		1 THREADED ROD
6	47477688		2 FORK M14
7	725626		2 NUT
8	321204		4 LUBE NIPPLE M6 x 1.0 x 16mm OAL
9	47461285		2 THREADED ROD
10	47461276		2 PIN 20mm OD x 69mm L
11	47461070		2 STOP
12	47461071		2 PLATE
13	1 47463520		2 SPRING
14	1 47463518		2 SPRING
15	47461110		2 SPACER 28mm ID x 45mm OD x 50mm L
16	47469108		4 BRONZE BUSHING 25mm ID x 28mm OD x 25mm L
17	47463562		2 EYEBOLT
18	47468356		8 SHIM 25mm ID x 40mm OD x 1mm Thk
19	86977786		2 BOLT Hex, M6 x 1 x 25mm, CI 8.8
20	43140		2 BOLT Hex, M10 x 1.5 x 30mm, CI 8.8
21	120112		4 BOLT Hex, M10 x 1.5 x 40mm, CI 8.8, Full Thd
22	9706702		2 BOLT Hex, M12 x 1.75 x 50mm, CI 8.8
23	11119421		2 BOLT Hex, M16 x 2 x 75mm, CI 8.8
24	161909		2 BOLT Hex, M16 x 2 x 110mm, CI 8.8, Full Thd
25	9814004		4 CARRIAGE BOLT Sq Nk, M8 x 1.25 x 45mm, CI 8.8
26	9824259		2 WASHER 6.4mm ID x 12mm OD x 1.6mm Thk
27	86624184		4 WASHER 9mm ID x 16mm OD x 1.6mm Thk
28	86511323		12 WASHER 10.5mm ID x 20mm OD x 2mm Thk
29	86511324		4 WASHER 13mm ID x 24mm OD x 2.5mm Thk
30	86511326		6 WASHER 17mm ID x 30mm OD x 3mm Thk
31	393392		2 LOCK NUT Prev Torque, M6 x 1, CI 8
(1)	MAINTENANCE PART		

Orkel GP 1270 Kombi/ Orkel GP 1270S

TAILGATE LATCH

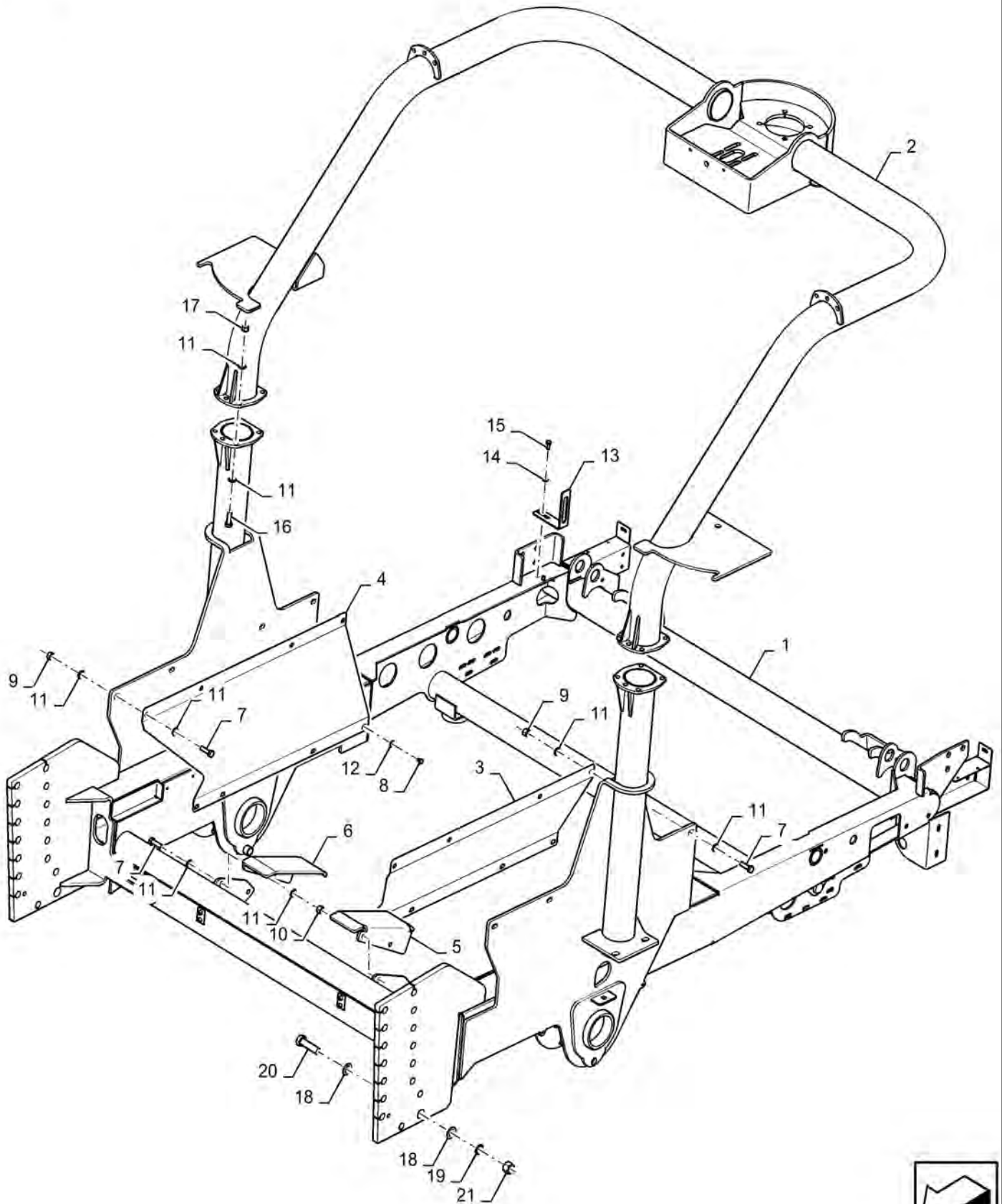


TAILGATE LATCH

REF FN	PART NUMBER	YR/SN	QTY DESCRIPTION
32	437013		4 NUT
33	84100524		6 NUT M10 x 1.5, CI 8
34	84278115		2 NUT
35	84312238		6 NUT
36	100016		4 NUT M10 x 1.5, CI 8
37	100020		6 NUT M16 x 2.0, CI 8
38	84168348		2 SNAP RING M25

Orkel GP 1270 Kombi/ Orkel GP 1270S

COMBI WRAPPER MAIN FRAME

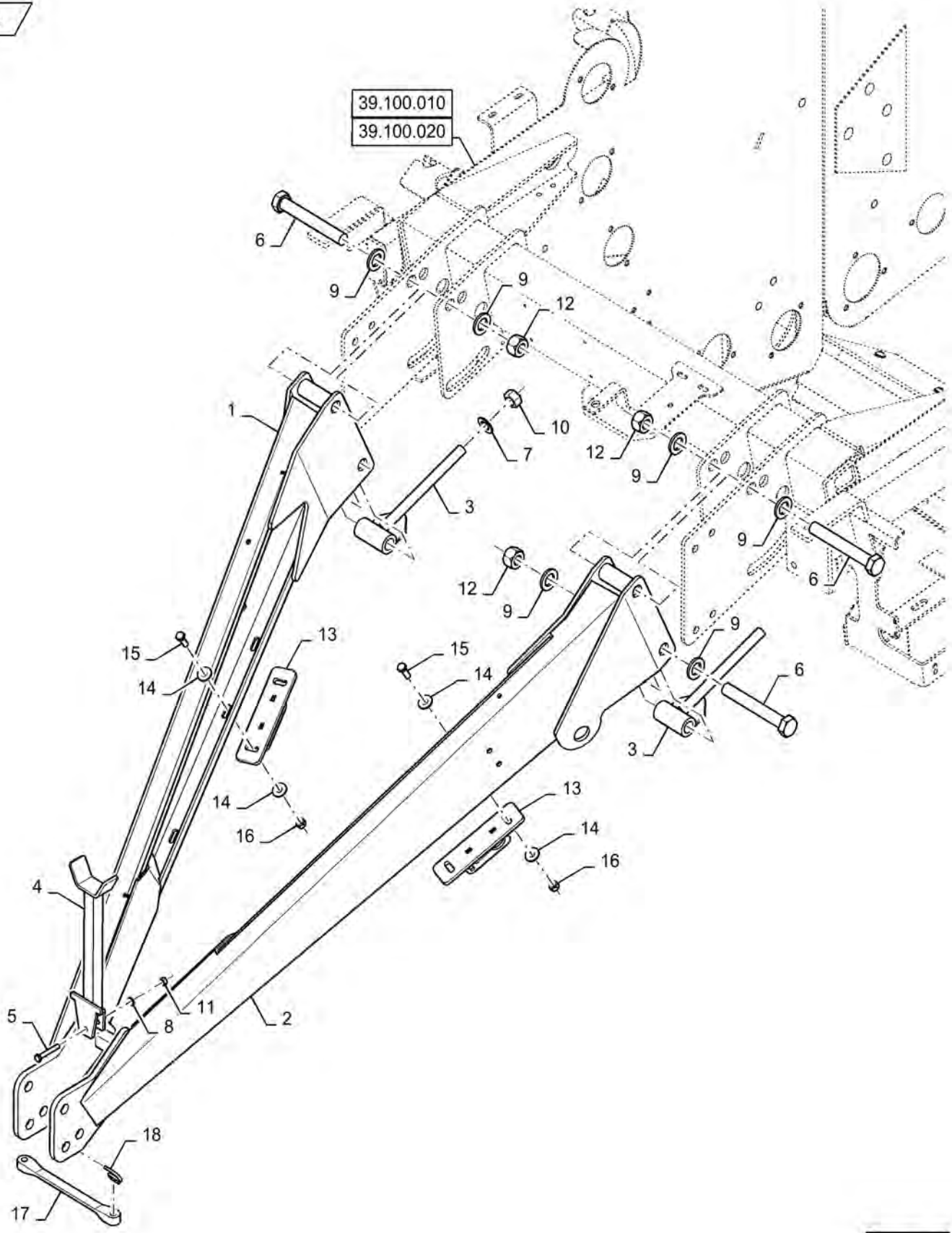


COMBI WRAPPER MAIN FRAME

REF FN	PART NUMBER	YR/SN	QTY DESCRIPTION
1	47976122		1 FRAME
2	47960501		1 FRAME
3	47716011		1 PLATE
4	47716013		1 PLATE
5	47924814		1 BRACKET
6	47924812		1 BRACKET
7	86629541		12 BOLT Hex, M12 x 1.75 x 40mm, CI 8.8
8	300380		8 BOLT Hex, M8 x 1.25 x 10mm, CI 8.8, Full Thd
9	84278115		8 NUT
10	12577511		4 NUT M12 x 1.75, CI 8
11	86511324		44 WASHER 13mm ID x 24mm OD x 2.5mm Thk
12	86625263		8 WASHER 9mm ID x 20mm OD x 1.6mm Thk
13	47915907		2 BRACKET
14	10519601		2 WASHER 8.15mm ID x 17mm OD x 2mm Thk
15	120104		2 BOLT Hex, M8 x 1.25 x 20mm, CI 8.8
16	337563		10 BOLT M12 x 1.75 x 47.68mm, CI 10.9
17	87497918		10 NUT
18	86511327		48 WASHER 21mm ID x 37mm OD x 3mm Thk
19	87602337		24 LOCK WASHER 21.4mm ID x 30.7mm OD x 3.4mm Thk
20	15988531		24 BOLT Hex, M20 x 1.5 x 70mm, CI 10.9, Full Thd
21	86015195		24 NUT M20 x 1.5, CI 10

Orkel GP 1270 Kombi/ Orkel GP 1270S

DRAWBAR



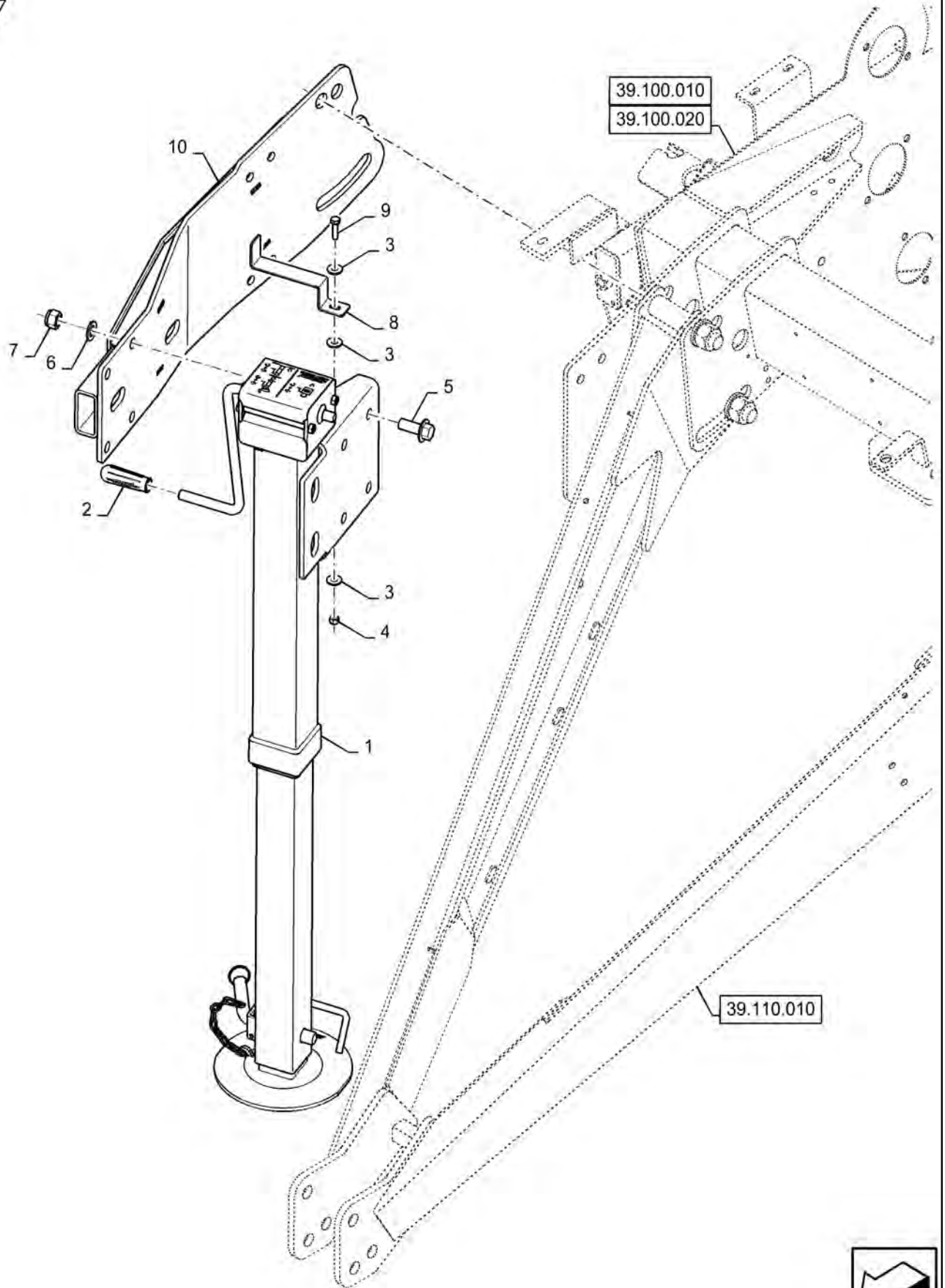
DRAWBAR

REF	FN	PART NUMBER	YR/SN	QTY	DESCRIPTION
1	1	47877483		1	DRAWBAR
1		47768657		1	DRAWBAR
2	1	47877485		1	DRAWBAR
2		47716092		1	DRAWBAR
3		47579345		2	ROD
4		47471163		1	SUPPORT
5		16044321		1	BOLT M8 x 1.25 x 55mm, CI 8.8
6	1	47581985		4	BOLT Hex, M24 x 2 x 160mm, CI 12.9
6		47938592		4	BOLT
7		86511327		4	WASHER 21mm ID x 37mm OD x 3mm Thk
8		86624184		1	WASHER 9mm ID x 16mm OD x 1.6mm Thk
9		87529311		8	WASHER 26mm ID x 44mm OD x 5mm Thk
10		9706694		4	NUT Hex, M20, CI 8
11		437013		1	NUT
12		47582001		4	NUT
13		47814499		2	SUPPORT
14		86642464		8	WASHER 11mm ID x 30mm OD x 2.5mm Thk
15		9706704		4	BOLT Hex, M10 x 1.5 x 41.58mm, CI 8.8
16		84100524		4	NUT M10 x 1.5, CI 8
17		273672		1	FASTENER
18		115680		2	HOOK

(1) FOR SCANDINAVIA ONLY

Orkel GP 1270 Kombi/ Orkel GP 1270S

JACK



JACK

REF FN	PART NUMBER	YR/SN	QTY DESCRIPTION
1	47937385		1 JACK
2	47530082		1 GRIP
3	86639313		3 WASHER 9mm ID x 24mm OD x 2mm Thk
4	437013		1 NUT
5	9804271		4 BOLT Hex, M16 x 40mm, CI 8.8, Full Thd
6	14496931		4 WASHER 17mm ID x 30mm OD x 3mm Thk
7	412066		4 NUT M16 x 2.0, CI 8
8	47942011		1 PLATE
9	43128		1 BOLT M8 x 1.25 x 30mm, CI 8.8
10	47936647		1 SUPPORT

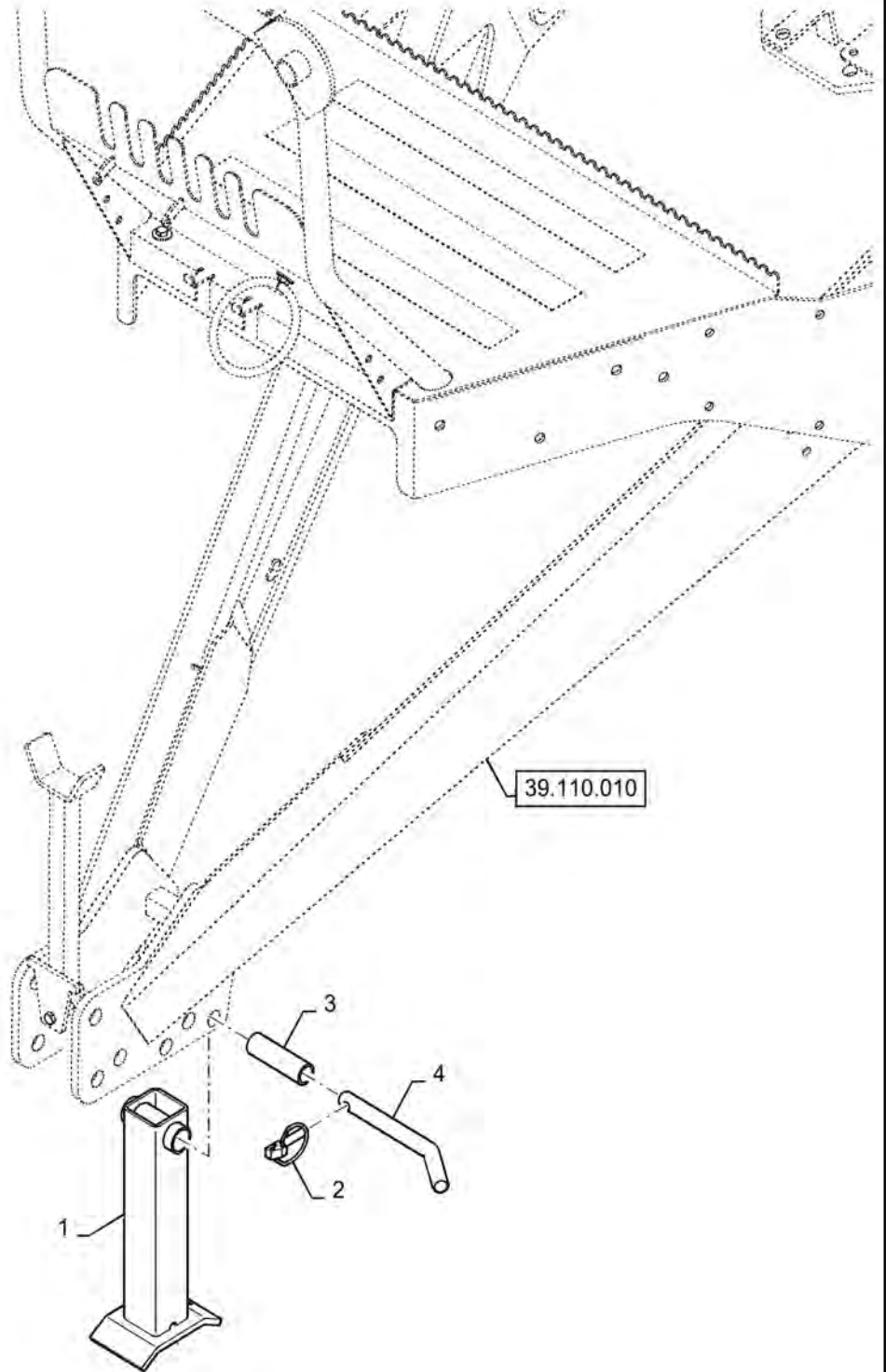
Orkel GP 1270 Kombi/ Orkel GP 1270S

39.110.030

p1

4/2017

JACK, FOR SCANDINAVIA ONLY



39.110.030

p1

4/2017

JACK, FOR SCANDINAVIA ONLY

REF FN	PART NUMBER	YR/SN	QTY DESCRIPTION
1	47468350		1 STAND
2	47406566		1 LINCH PIN
3	47462321		2 TUBE
4	47469672		1 PIN

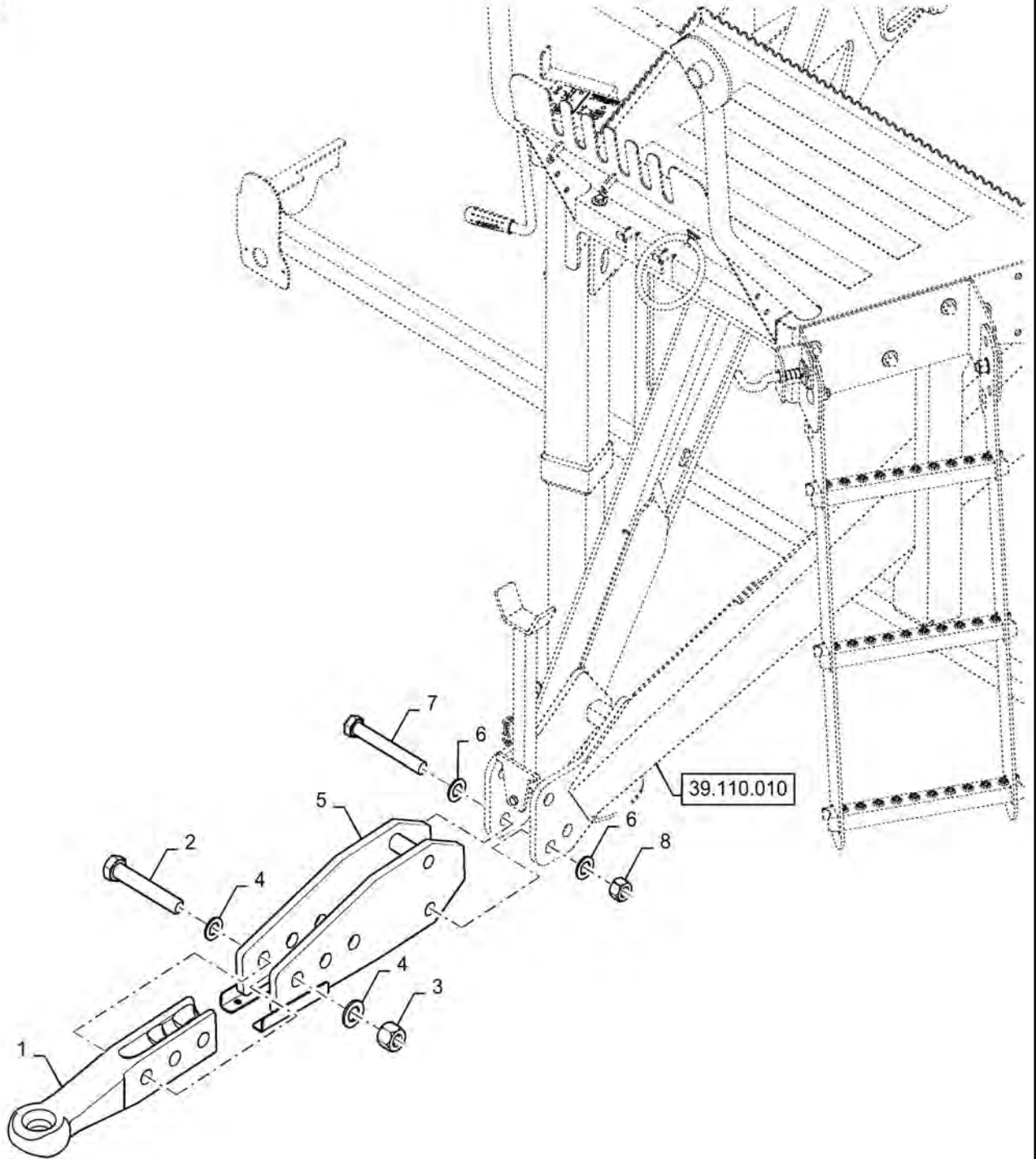
Orkel GP 1270 Kombi/ Orkel GP 1270S

39.110.040

p1

4/2017

FIXED RING HITCH



FIXED RING HITCH

REF FN	PART NUMBER	YR/SN	QTY DESCRIPTION
1	47544886		1 DRAWBAR D=0.4M
1 1	47544887		1 DRAWBAR D=0.5M
1 2	47544885		1 DRAWBAR D=0.8M
2	15871934		3 BOLT Hex, M24 x 2 x 140mm, CI 10.9
3	12575321		3 NUT M24 x 2, CI 10
4	86511328		6 WASHER 25mm ID x 44mm OD x 4mm Thk
5	48041189		1 SUPPORT
6	86511327		8 WASHER 21mm ID x 37mm OD x 3mm Thk
7	87343584		4 BOLT Hex, M20 x 1.5 x 150mm, CI 10.9
8	87489983		4 NUT M24 x 1.5, CI. 10
(1)	FOR SCANDINAVIA ONLY		
(2)	FOR GP 1270 KOMBI ONLY		

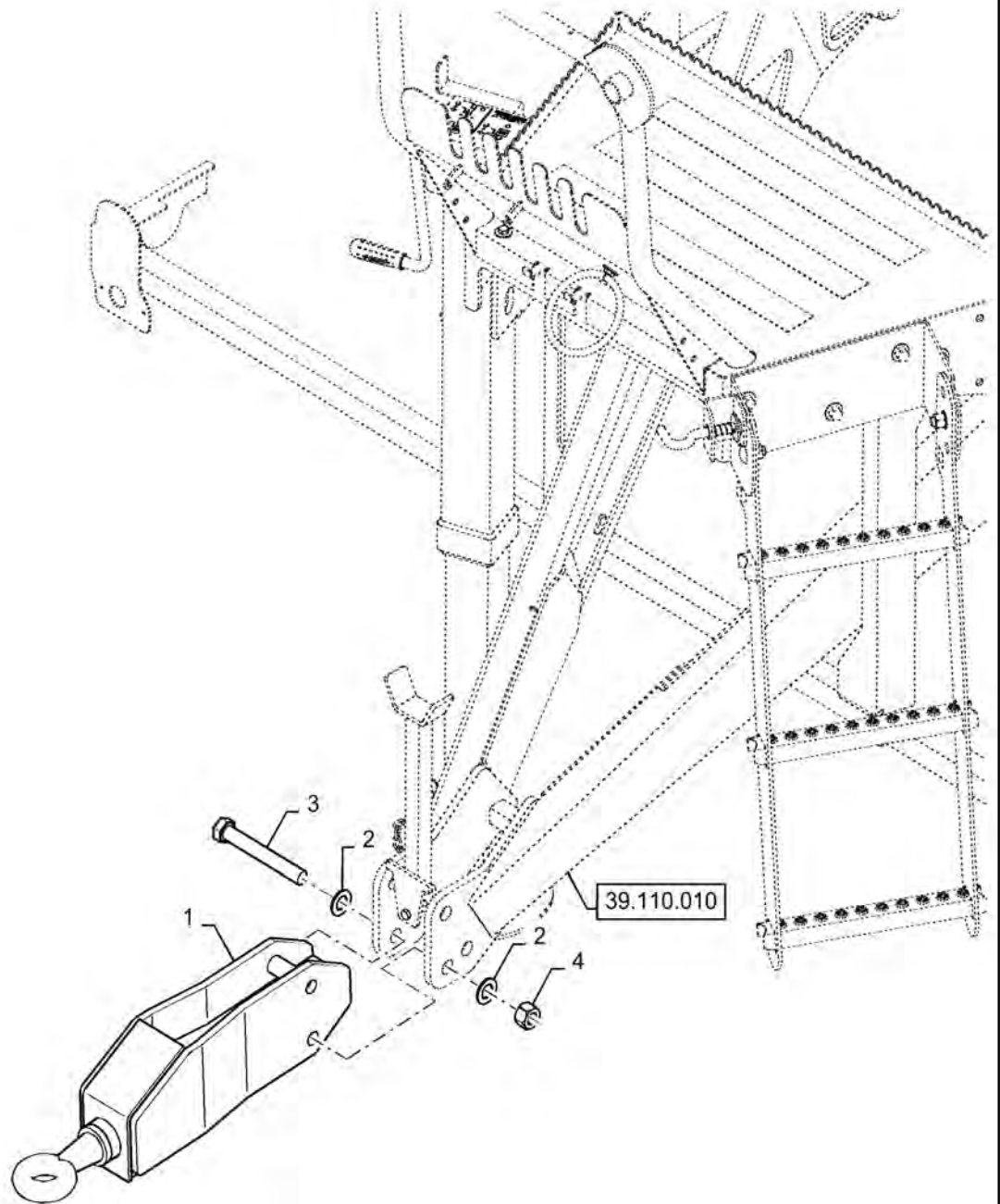
Orkel GP 1270 Kombi/ Orkel GP 1270S

39.110.050

p1

4/2017

PIVOT RING HITCH



39.110.050

p1

4/2017

PIVOT RING HITCH

REF FN	PART NUMBER	YR/SN	QTY DESCRIPTION
1	47506825		1 HITCH
2	86511327		4 WASHER 21mm ID x 37mm OD x 3mm Thk
3	87343584		2 BOLT Hex, M20 x 1.5 x 150mm, Cl 10.9
4	87489983		2 NUT M24 x 1.5, Cl. 10

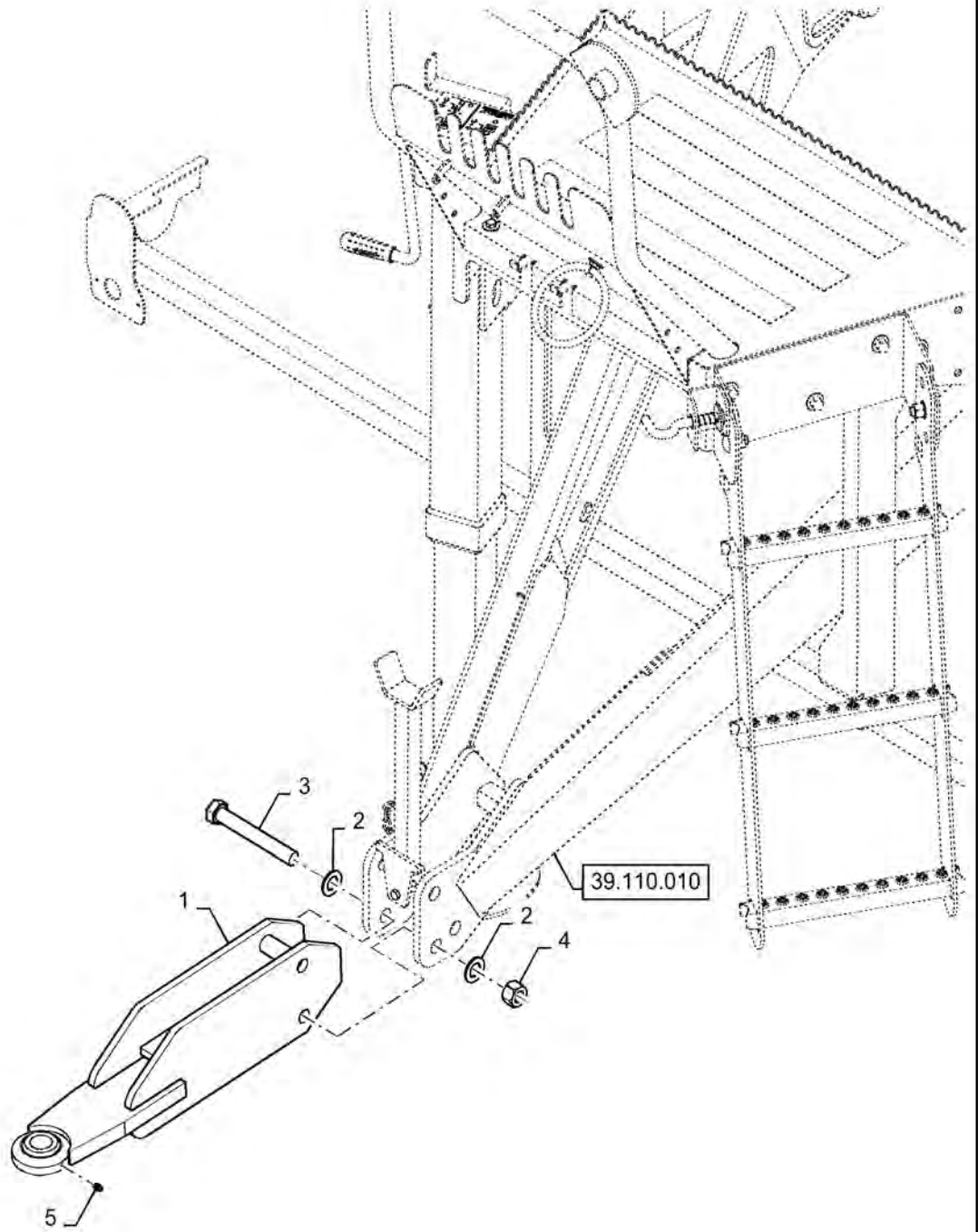
Orkel GP 1270 Kombi/ Orkel GP 1270S

39.110.060

p1

4/2017

SWIVEL BALL HITCH - C323



39.110.060

p1

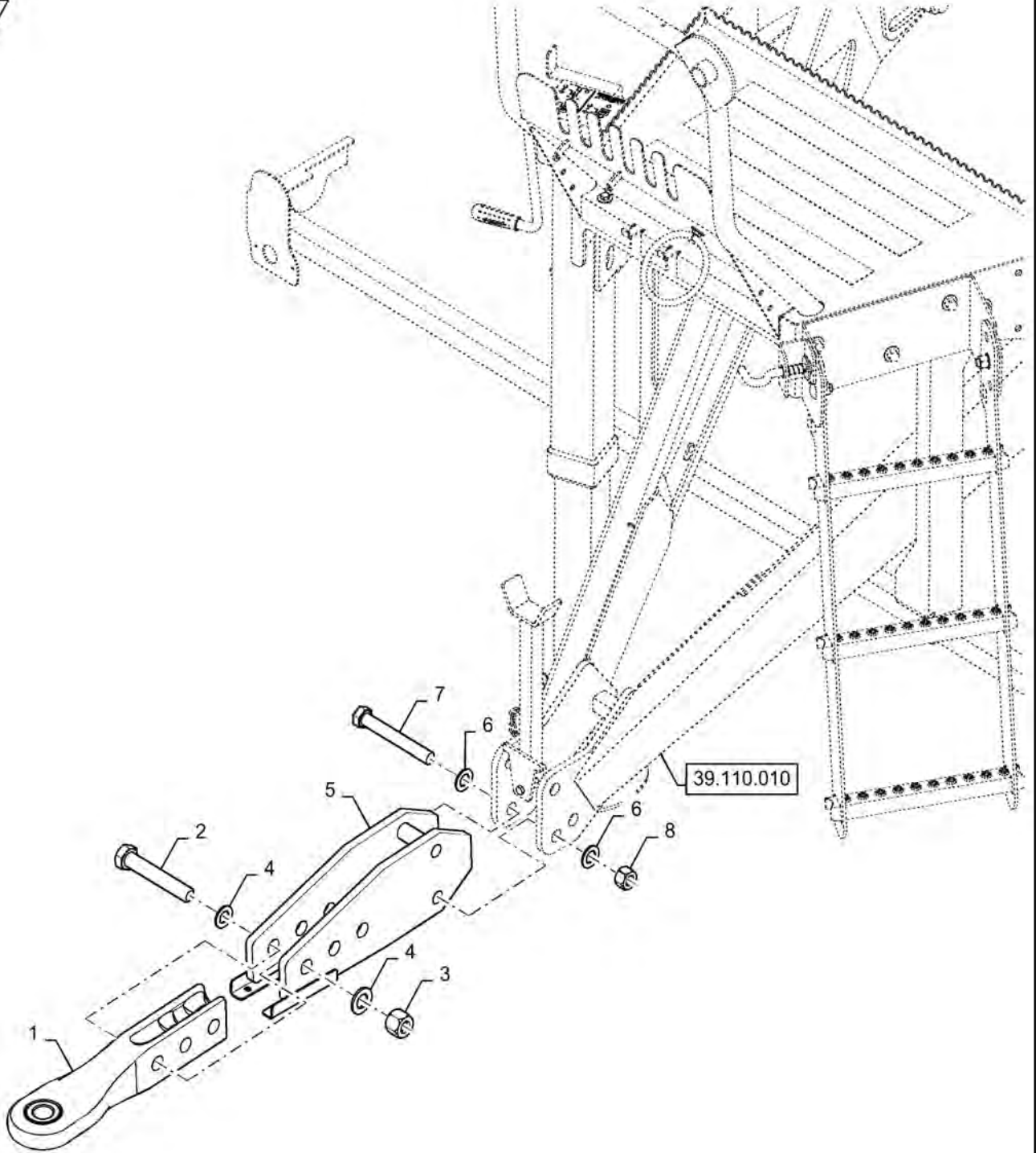
4/2017

SWIVEL BALL HITCH - C323

REF FN	PART NUMBER	YR/SN	QTY DESCRIPTION
1	47506828		1 HITCH
2	86511327		4 WASHER 21mm ID x 37mm OD x 3mm Thk
3	87343584		2 BOLT Hex, M20 x 1.5 x 150mm, CI 10.9
4	87489983		2 NUT M24 x 1.5, CI. 10
5	87414		1 LUBE NIPPLE 1/4" - 28

Orkel GP 1270 Kombi/ Orkel GP 1270S

SWIVEL BALL HITCH - D324



39.110.061

p1

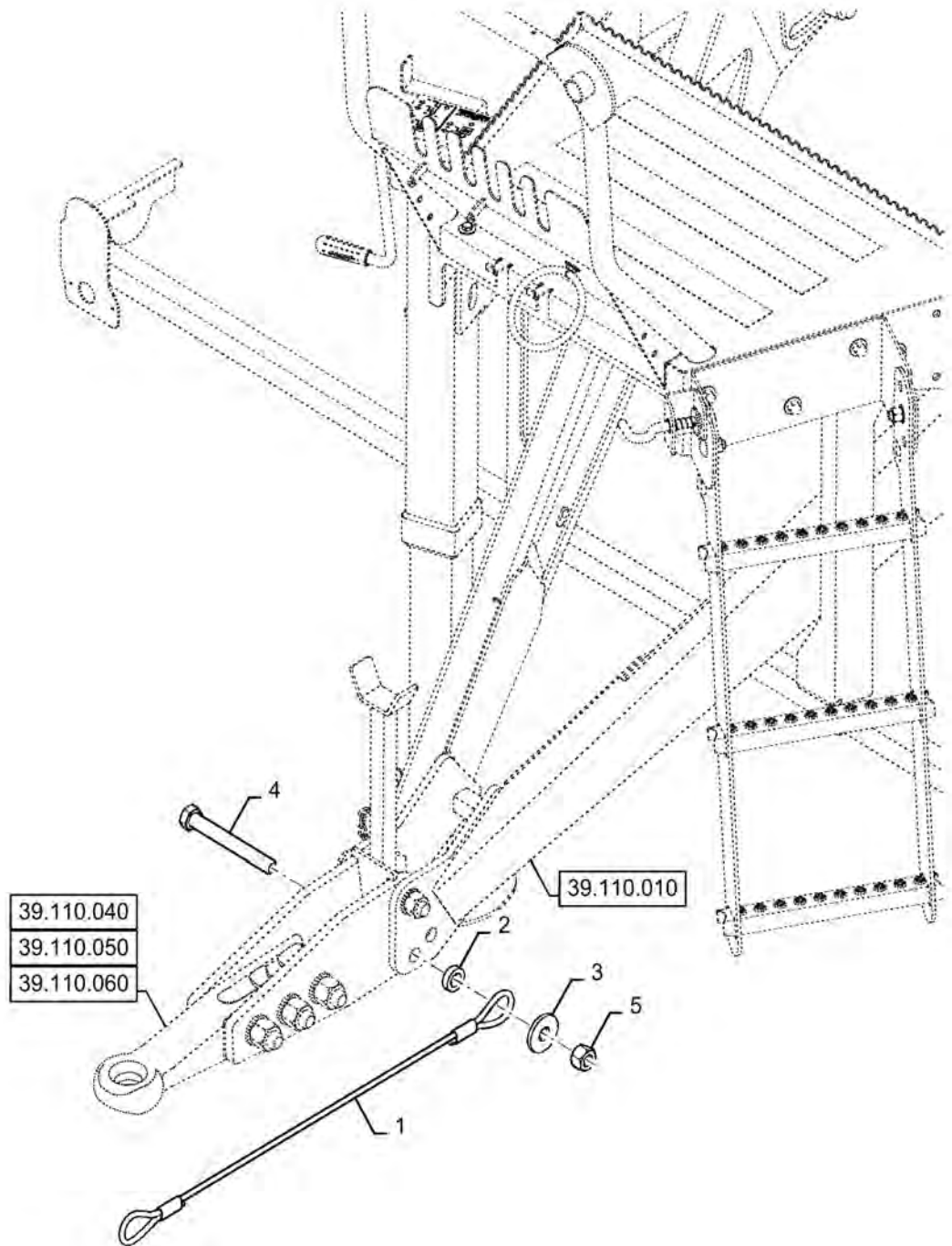
4/2017

SWIVEL BALL HITCH - D324

REF FN	PART NUMBER	YR/SN	QTY DESCRIPTION
1	48013379		1 HITCH
2	15871934		3 BOLT Hex, M24 x 2 x 140mm, Cl 10.9
3	12575321		3 NUT M24 x 2, Cl 10
4	86511328		6 WASHER 25mm ID x 44mm OD x 4mm Thk
5	48041189		1 SUPPORT
6	86511327		4 WASHER 21mm ID x 37mm OD x 3mm Thk
7	87343584		2 BOLT Hex, M20 x 1.5 x 150mm, Cl 10.9
8	87489983		2 NUT M24 x 1.5, Cl. 10

Orkel GP 1270 Kombi/ Orkel GP 1270S

HITCH CABLE



39.110.070

p1

4/2017

HITCH CABLE

REF FN	PART NUMBER	YR/SN	QTY DESCRIPTION
1	47590401		1 WIRE
2	47487623		1 SPACER 20.5mm ID x 35mm OD x 12mm L
3	47487626		1 PLATE
4	15990331		1 BOLT Hex, M20 x 1.5 x 160mm, Cl 10.9
5	87489983		1 NUT M24 x 1.5, Cl. 10

Orkel GP 1270 Kombi/ Orkel GP 1270S

SECTION INDEX

WHEELS

44.000.00	01	SECTION INDEX - WHEELS
44.520.010		WHEELS: 400/60 - 15.5
44.520.020		WHEELS: 500/55 - 20
44.520.030		WHEELS: 500/60 - 22.5
44.520.110		WHEELS: 500/55 - 20
44.520.120		WHEELS: 560/45 - 22.5
44.520.130		WHEELS: 500/50 - 17

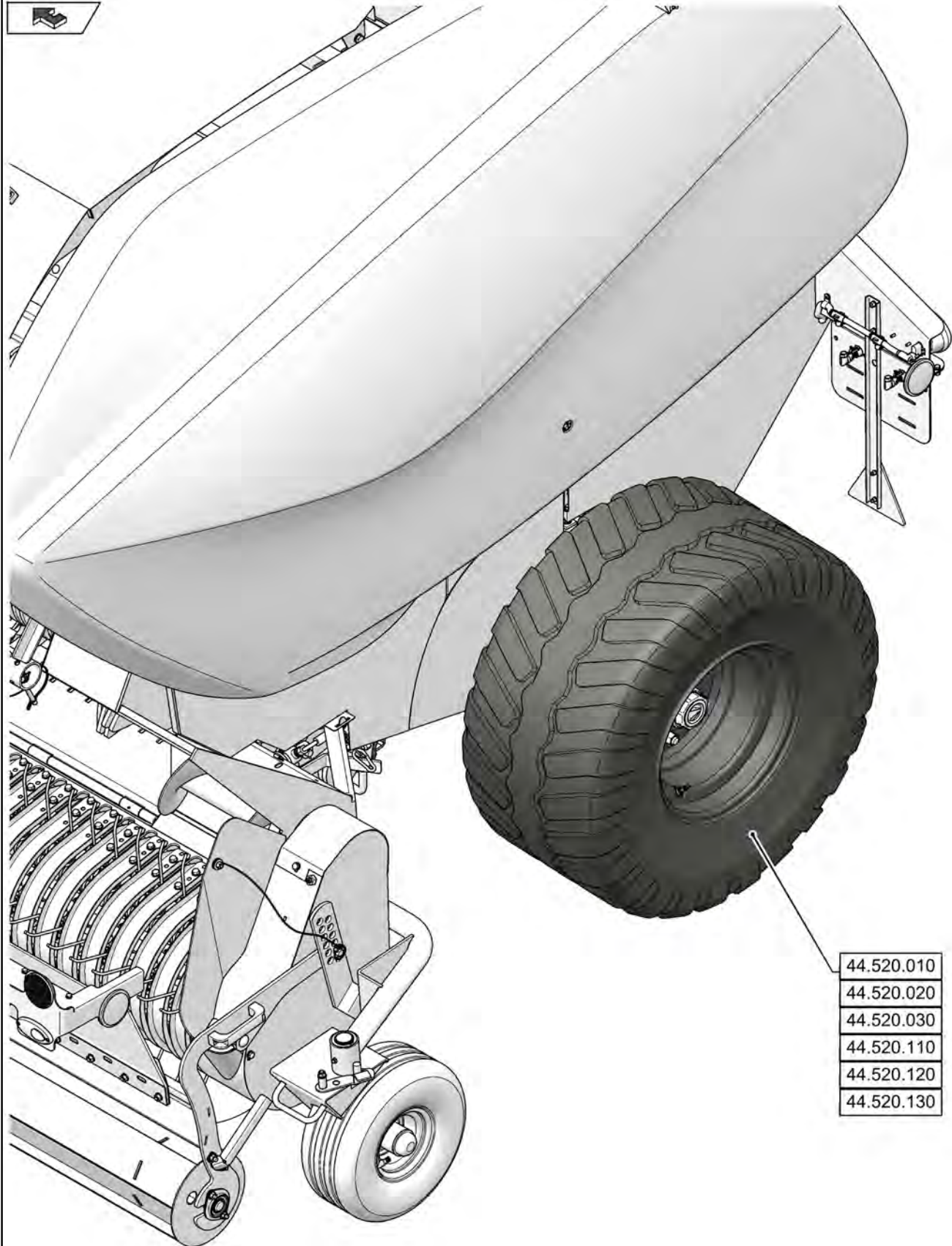
44.000.00

01

p1

4/2017

SECTION INDEX - WHEELS



44.000.00

01

p1

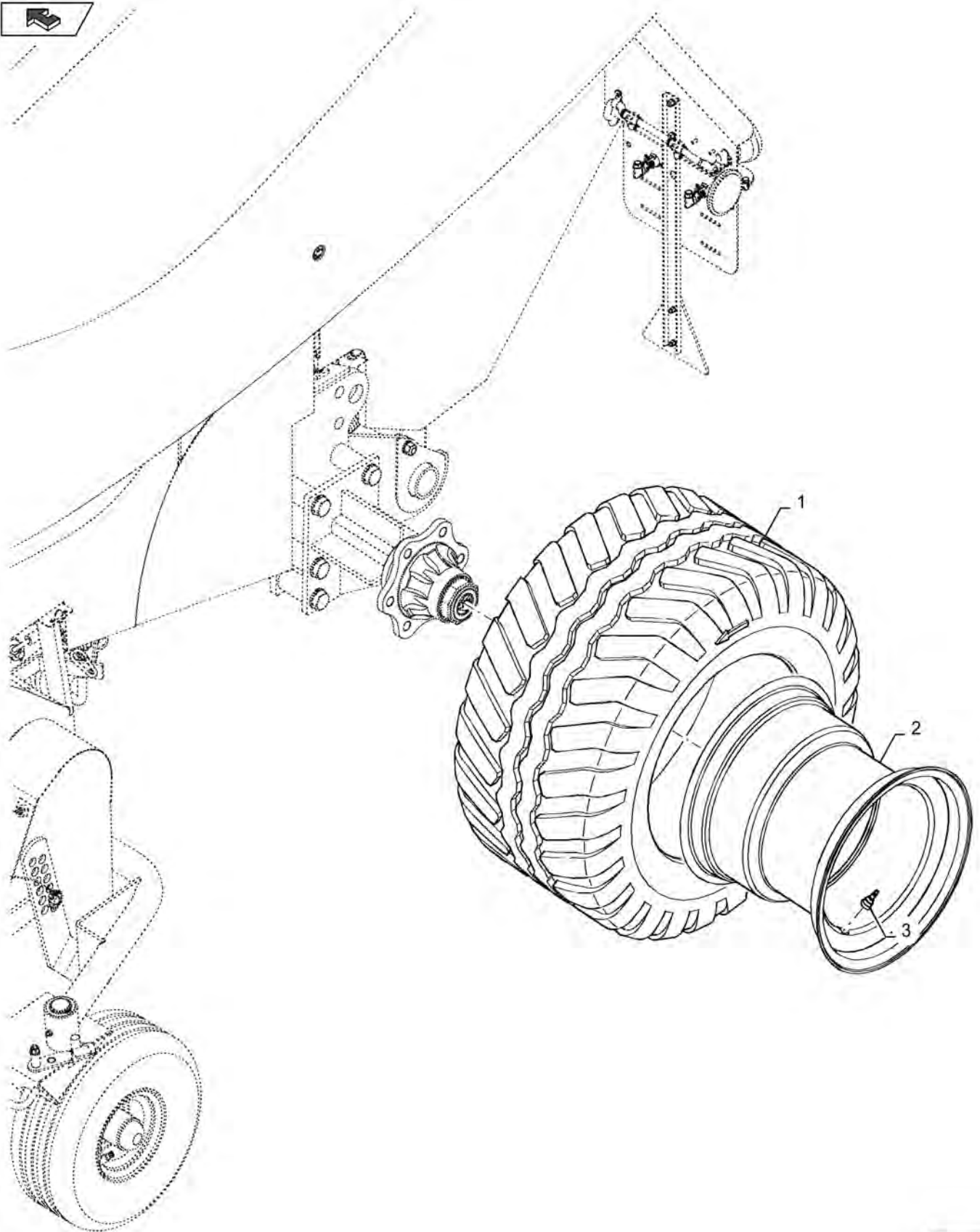
4/2017

SECTION INDEX - WHEELS

REF FN	PART NUMBER	YR/SN	QTY DESCRIPTION
---------------	--------------------	--------------	------------------------

Orkel GP 1270 Kombi/ Orkel GP 1270S

WHEELS: 400/60 - 15.5



44.520.010

p1

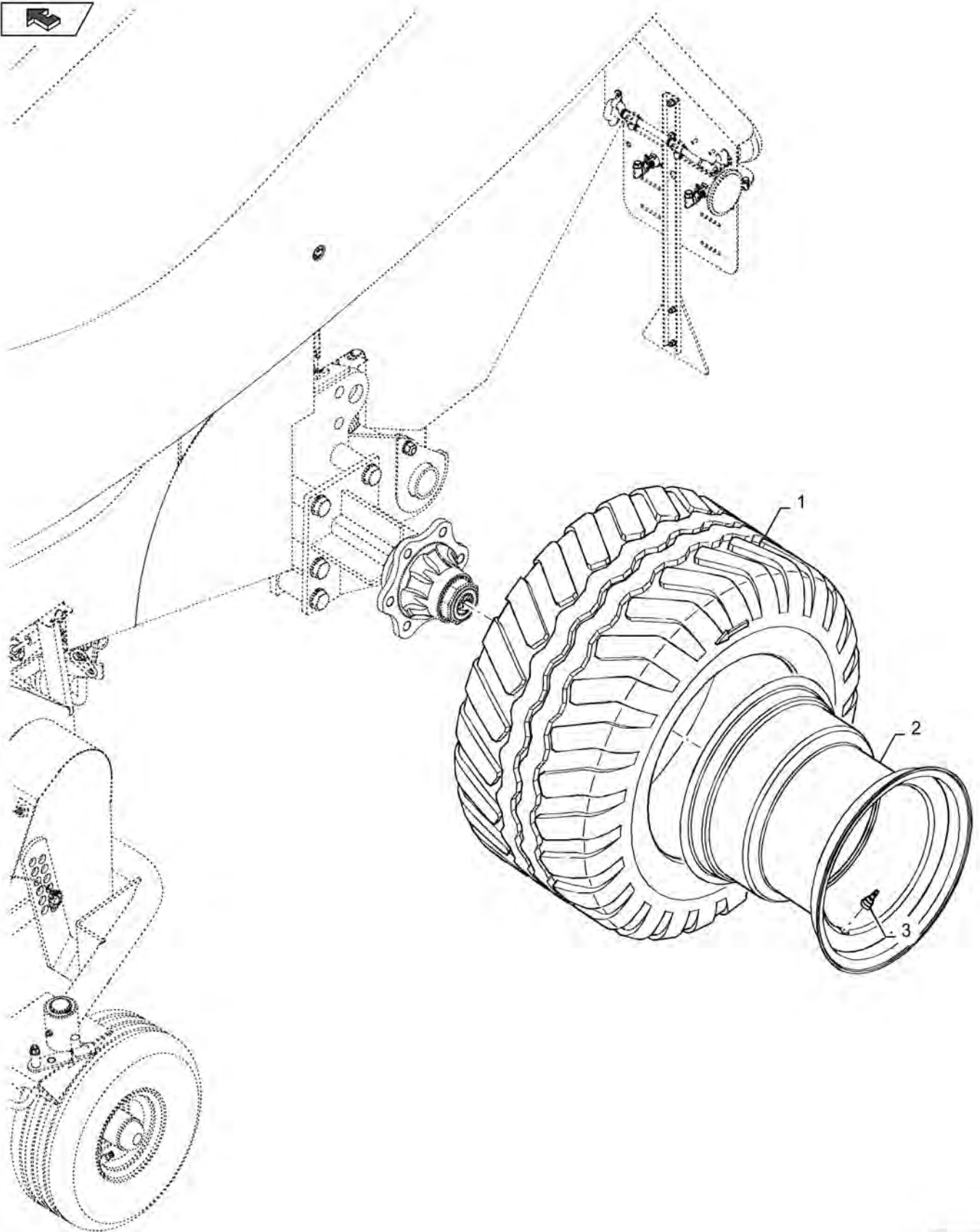
4/2017

WHEELS: 400/60 - 15.5

REF FN	PART NUMBER	YR/SN	QTY DESCRIPTION
1	47495301		2 TIRE TUBE
2	47495296		2 RIM
3	87045051		2 VALVE

Orkel GP 1270 Kombi/ Orkel GP 1270S

WHEELS: 500/55 - 20



44.520.020

p1

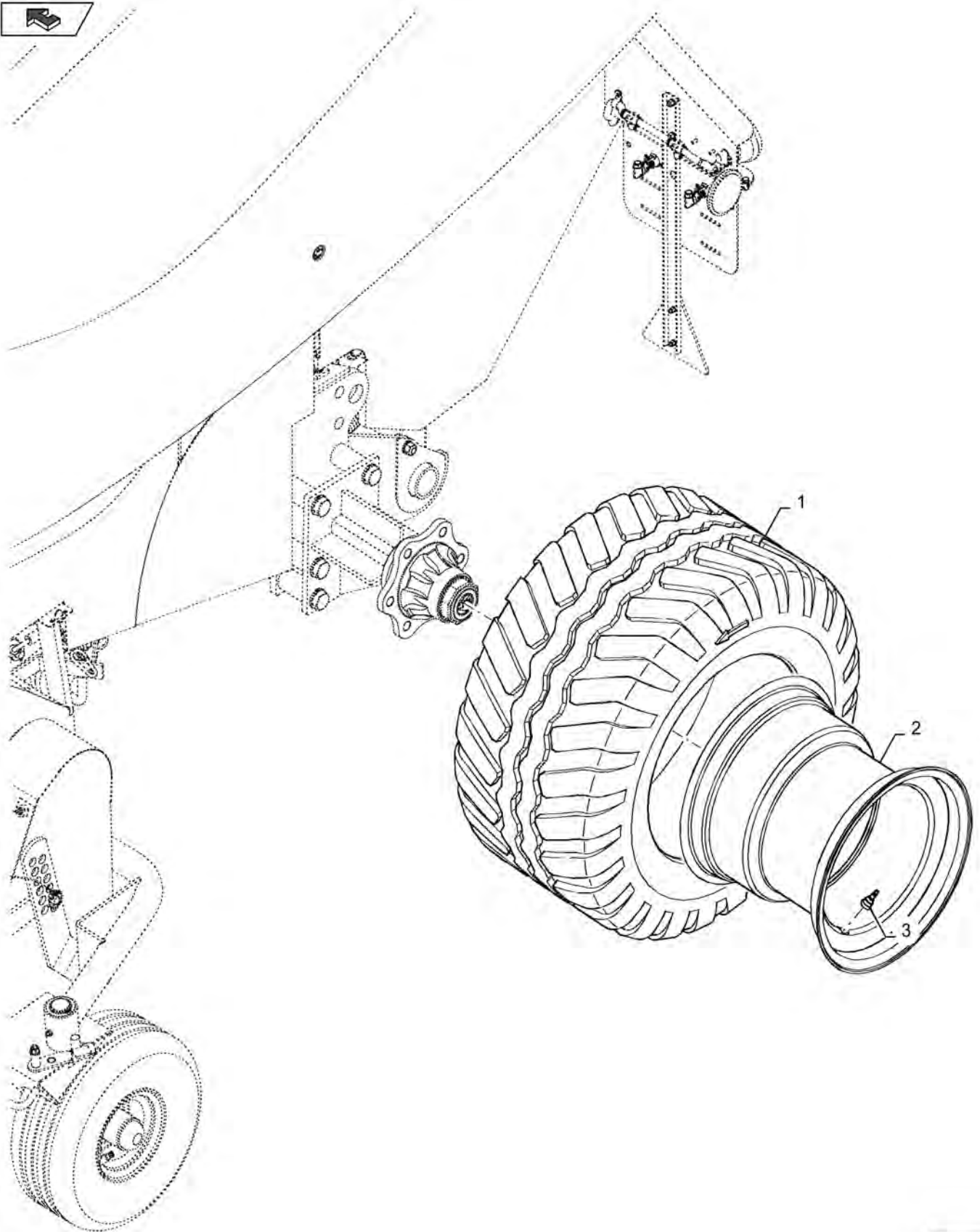
4/2017

WHEELS: 500/55 - 20

REF FN	PART NUMBER	YR/SN	QTY DESCRIPTION
1	47495304		2 TYRE/TIRE
2	47495306		2 RIM
3	87045051		2 VALVE

Orkel GP 1270 Kombi/ Orkel GP 1270S

WHEELS: 500/60 - 22.5



44.520.030

p1

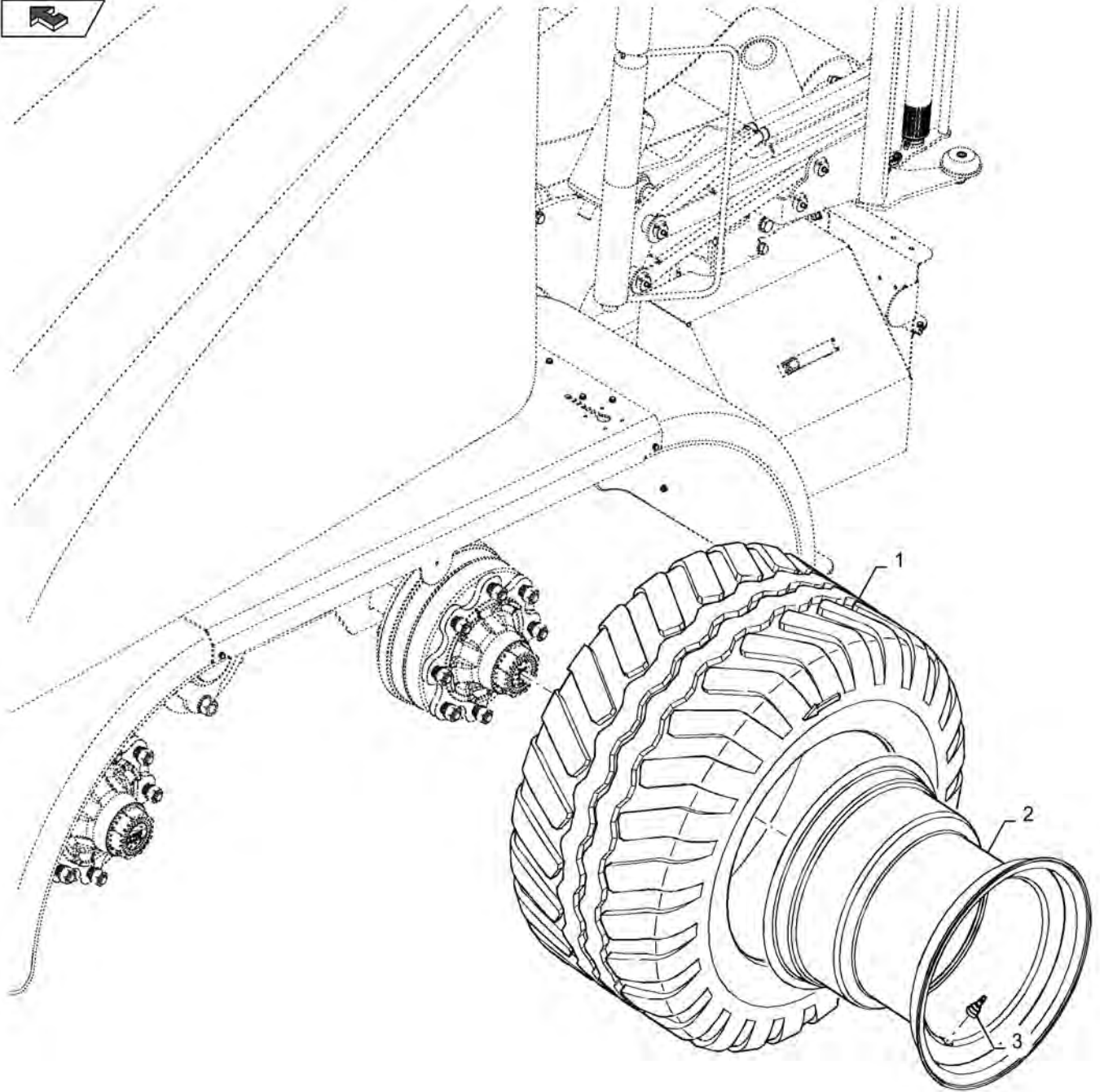
4/2017

WHEELS: 500/60 - 22.5

REF FN	PART NUMBER	YR/SN	QTY DESCRIPTION
1	47664291		2 TYRE/TIRE
2	47664290		2 RIM
3	47664287		2 UNION

Orkel GP 1270 Kombi/ Orkel GP 1270S

WHEELS: 500/55 - 20



44.520.110

p1

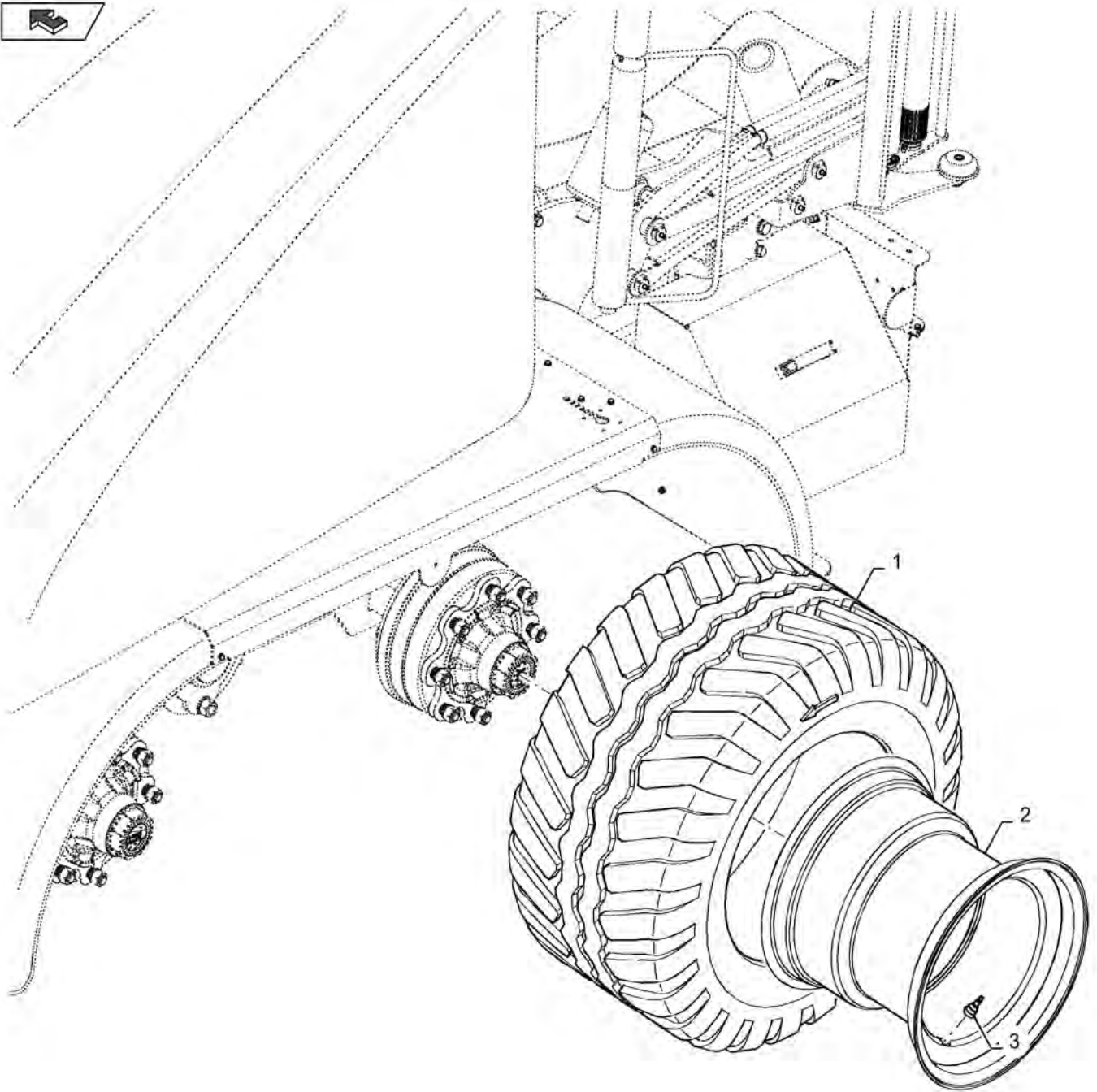
4/2017

WHEELS: 500/55 - 20

REF FN	PART NUMBER	YR/SN	QTY DESCRIPTION
1	84320615		4 TYRE/TIRE
2	47975369		4 RIM
3	87045051		4 VALVE

Orkel GP 1270 Kombi/ Orkel GP 1270S

WHEELS: 560/45 - 22.5



44.520.120

p1

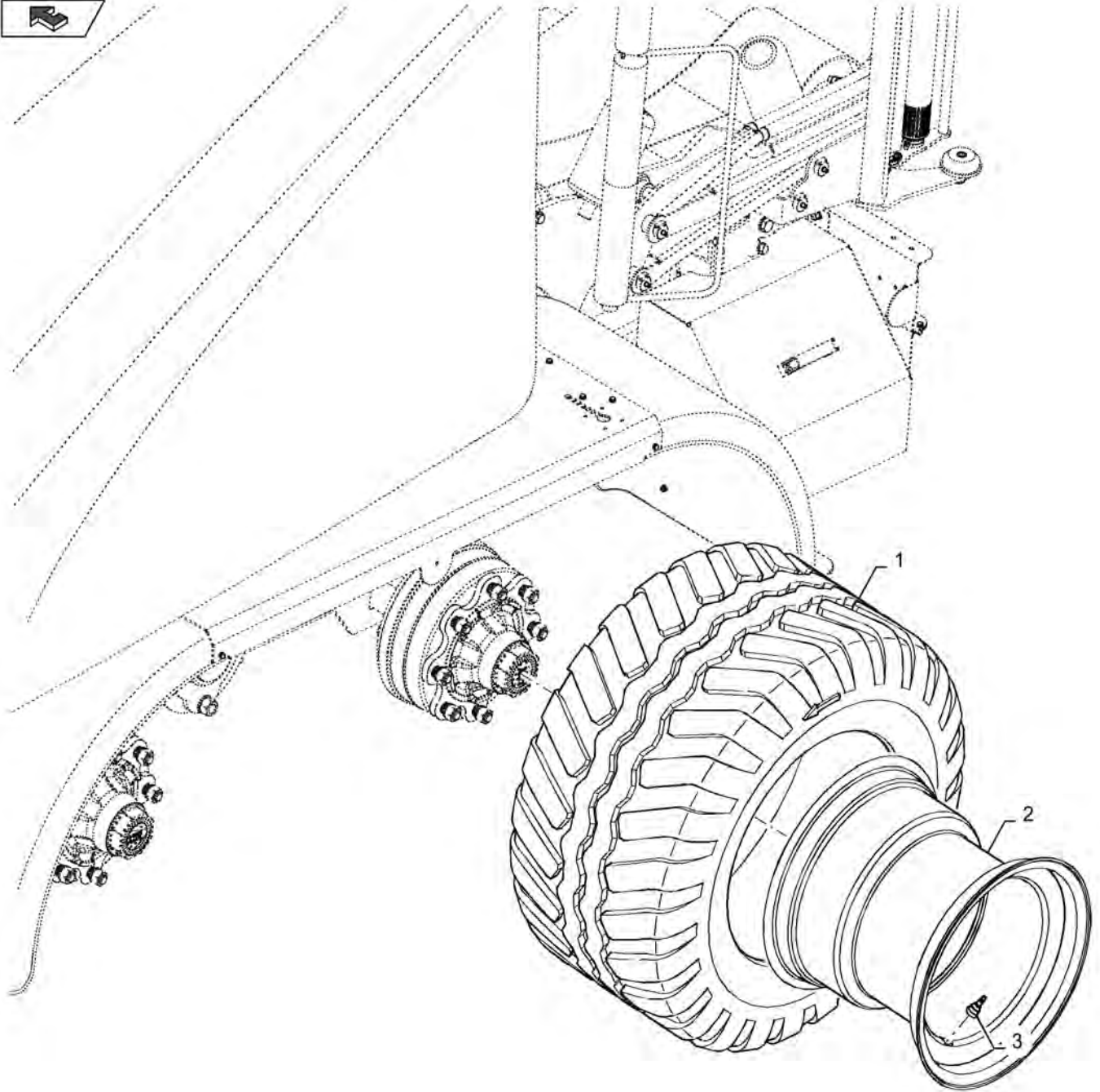
4/2017

WHEELS: 560/45 - 22.5

REF FN	PART NUMBER	YR/SN	QTY DESCRIPTION
1	47454809		4 TYRE/TIRE
2	84236053		4 RIM
3	395448		4 VALVE STEM

Orkel GP 1270 Kombi/ Orkel GP 1270S

WHEELS: 500/50 - 17



44.520.130

p1

4/2017

WHEELS: 500/50 - 17

REF FN	PART NUMBER	YR/SN	QTY DESCRIPTION
1	47501084		4 TYRE/TIRE
2	87043391		4 RIM
3	87045051		4 VALVE

Orkel GP 1270 Kombi/ Orkel GP 1270S

SECTION INDEX

ELECTRICAL SYSTEMS

55.000.00	01	SECTION INDEX - ELECTRICAL SYSTEMS
55.100.010		MAIN CABLE HARNESS, LH
55.100.020		MAIN CABLE HARNESS, RH
55.100.030		MAIN CABLE HARNESS
55.100.040		MAIN CABLE HARNESS COMBI WRAPPER
55.404.010		FRONT LIGHTS
55.404.020		REAR LIGHTS
55.404.030		CLEARANCE LIGHT
55.404.040		BEACON
55.404.050		REAR LIGHTS
55.404.060		WORK LIGHT
55.422.010		TAILGATE OPEN SENSOR
55.422.020		CHAMBER LOCK SENSOR, LH & RH
55.433.010		NET WRAPPER ELECTRICAL MOTOR
55.433.020		NET WRAPPER KIFE POSITION SENSOR
55.433.030		DUCKBILL POSITION SENSOR
55.433.040		NET WRAPPER SPEED SENSOR
55.433.050		NET WRAPPER SENSORS
55.433.060		WRAPPER, LOADER SENSOR
55.433.070		WRAPPER ARMS ELECTRICITY
55.520.010		CONTROL MONITOR
55.530.010		CAMERA KIT
55.630.010		BALE DENSITY SENSOR, LH & RH
55.633.010		MAIN FRAME ROLLS SPEED SENSOR
55.633.020		ROTOR CUTTER KNIVES - AND DROP FLOOR SENSOR
55.640.010		H-BRIDGE AND UNIFIED COMMUNICATIONS MODULE (UCM)
55.640.020		H-BRIDGE AND UNIFIED COMMUNICATIONS MODULE (UCM)
55.905.010		ISOBUS BALER CABLE HARNESS
55.905.020		ISOBUS TRACTOR CABLE HARNESS

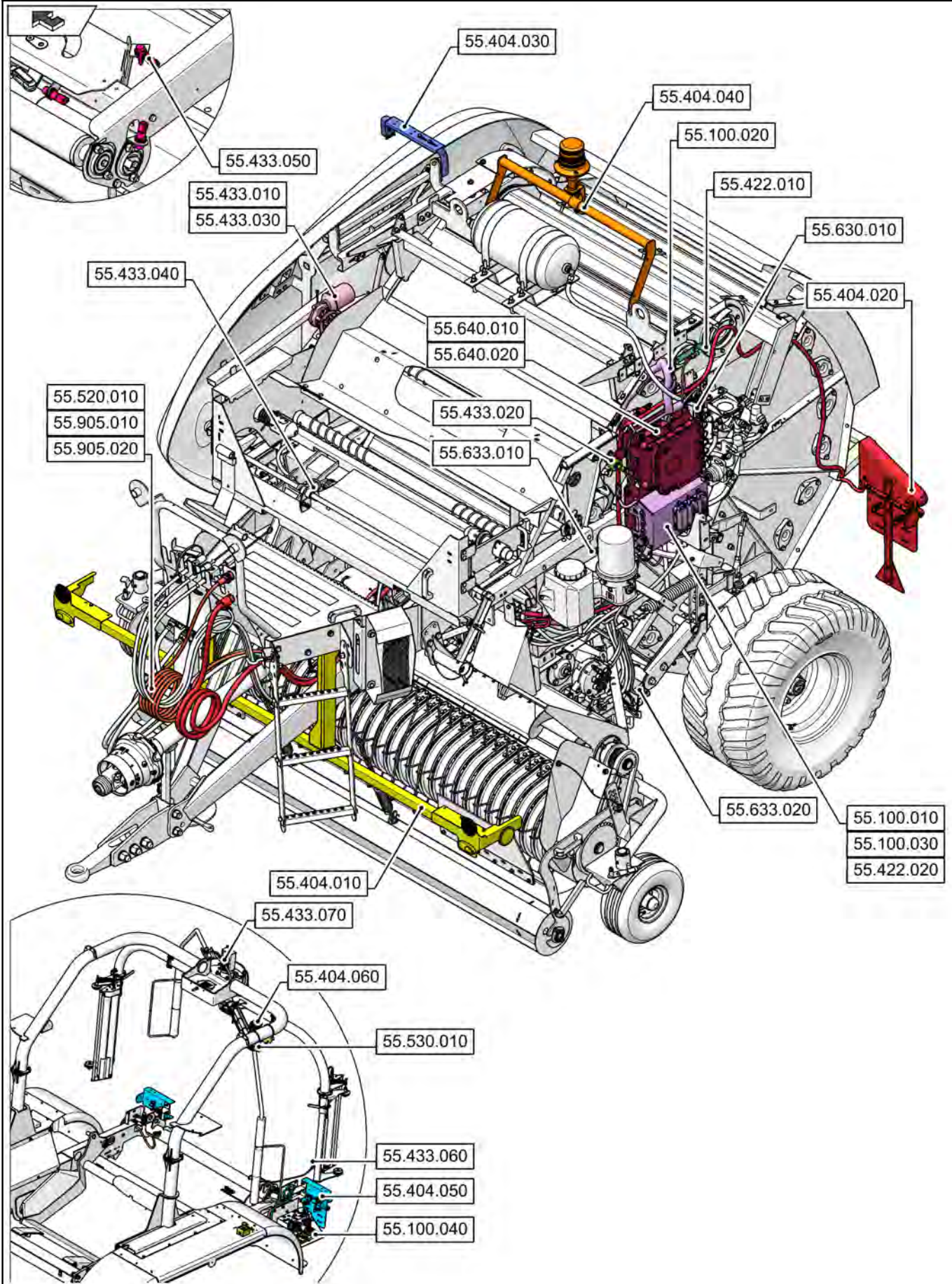
55.000.00

01

p1

4/2017

SECTION INDEX - ELECTRICAL SYSTEMS



55.000.00

01

p1

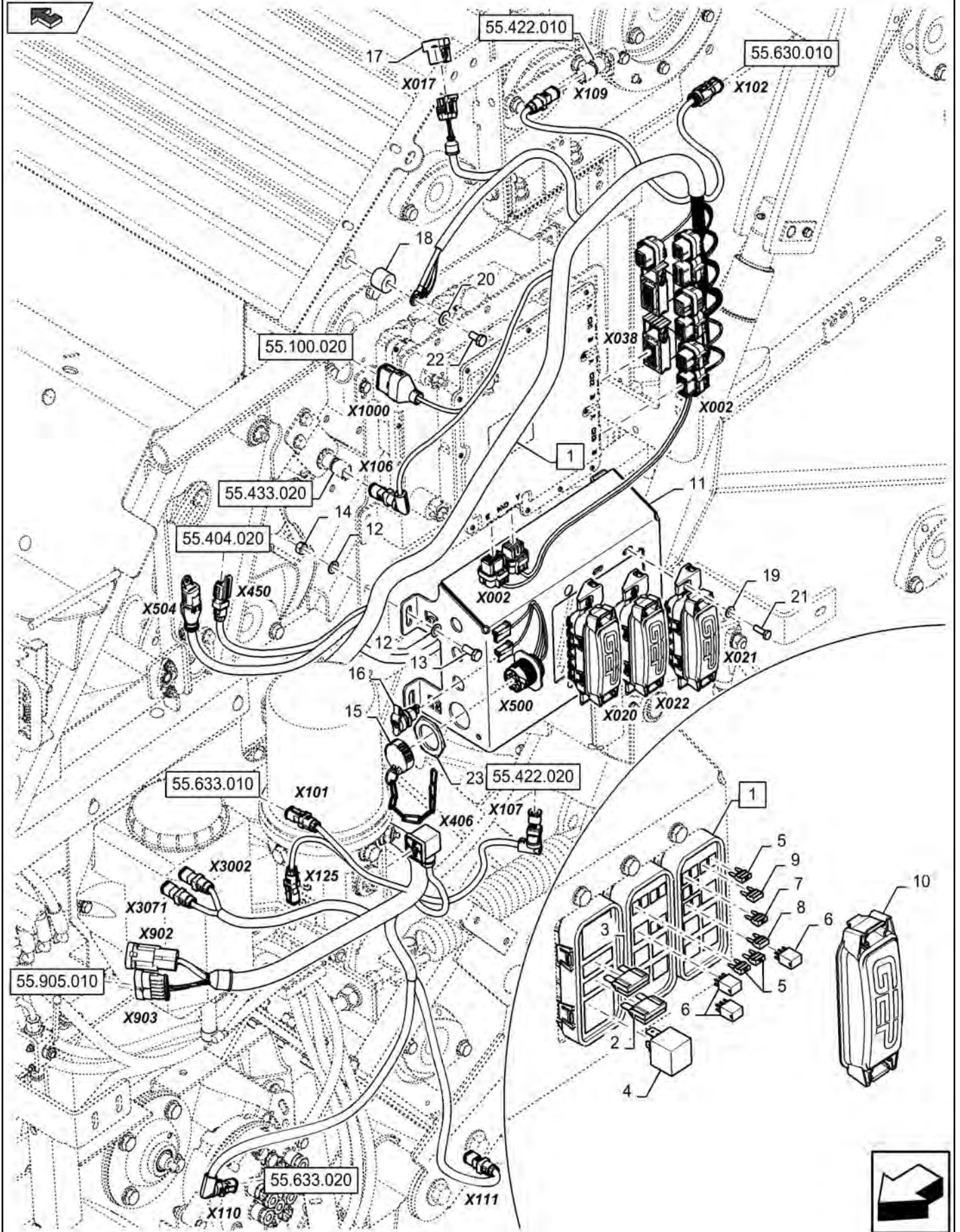
4/2017

SECTION INDEX - ELECTRICAL SYSTEMS

REF FN	PART NUMBER	YR/SN	QTY DESCRIPTION
---------------	--------------------	--------------	------------------------

Orkel GP 1270 Kombi/ Orkel GP 1270S

MAIN CABLE HARNESS, LH



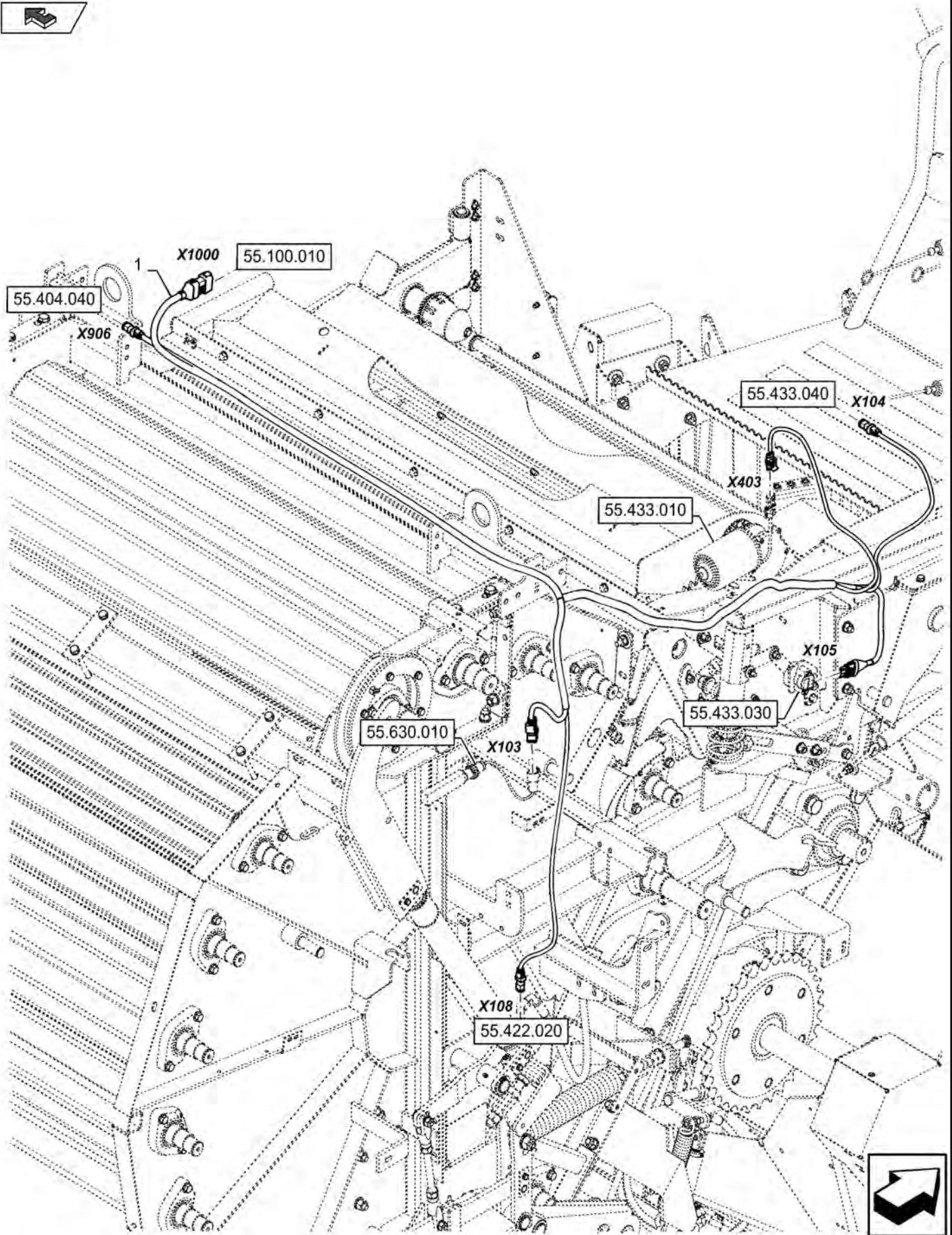
MAIN CABLE HARNESS, LH

REF FN	PART NUMBER	YR/SN	QTY DESCRIPTION
1	47732300		1 WIRE HARNESS Incl 2 - 10
2	1 84157159		1 FUSE 40A, Maxi, Orange 40A
3	1 84477010		1 FUSE 25A, Grey 25A
4	1 84539290		1 RELAY 12V, 50A
5	1 84127702		4 FUSE 10A, Mini, Red 10A
6	1 87655334		5 RELAY 12V, 35A, Micro
7	1 84127704		1 FUSE 20A, Mini, Yellow 20A
8	1 84127703		2 FUSE 15A, Mini, Blue 15A
9	1 84153830		2 FUSE 5A, Mini, Beige
10	84404932		3 COVER
11	47703997		1 MOUNTING PLATE
12	86624184		8 WASHER 9mm ID x 16mm OD x 1.6mm Thk
13	120104		4 BOLT Hex, M8 x 1.25 x 20mm, CI 8.8
14	437013		4 NUT
15	47448624		1 COVER ASSY
16	84191453		3 SOCKET 12/24V, 20A
17	87601142		1 ELEC CONNECTOR Female, 6 Cavities
18	84075487		1 SPACER
19	322357		6 BELLEVILLE WASHER M6 Bolt Size x 14mm OD x 1.3mm Thk
20	322358		1 BELLEVILLE WASHER M8 Bolt Size x 18mm OD x 1.4mm Thk
21	120100		6 BOLT M6 x 20mm, CI 8.8
22	120103		1 BOLT M8 x 1.25 x 16mm, CI 8.8
23	87737472		1 JAM NUT Hex, M35 x 1

(1) MAINTENANCE PART

Orkel GP 1270 Kombi/ Orkel GP 1270S

MAIN CABLE HARNESS, RH



55.100.020

p1

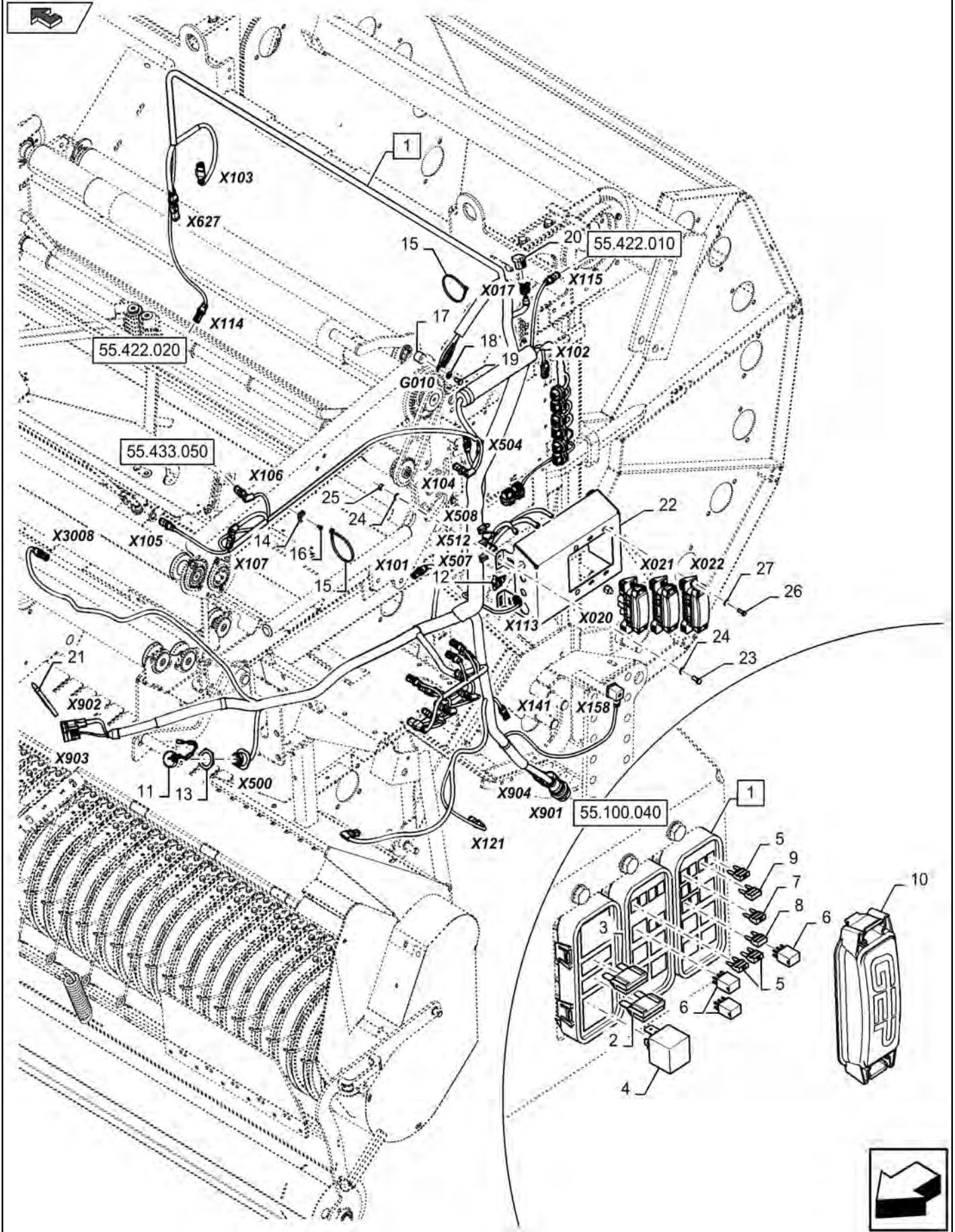
4/2017

MAIN CABLE HARNESS, RH

REF FN	PART NUMBER	YR/SN	QTY DESCRIPTION
1	48003190		1 WIRE HARNESS

Orkel GP 1270 Kombi/ Orkel GP 1270S

MAIN CABLE HARNESS



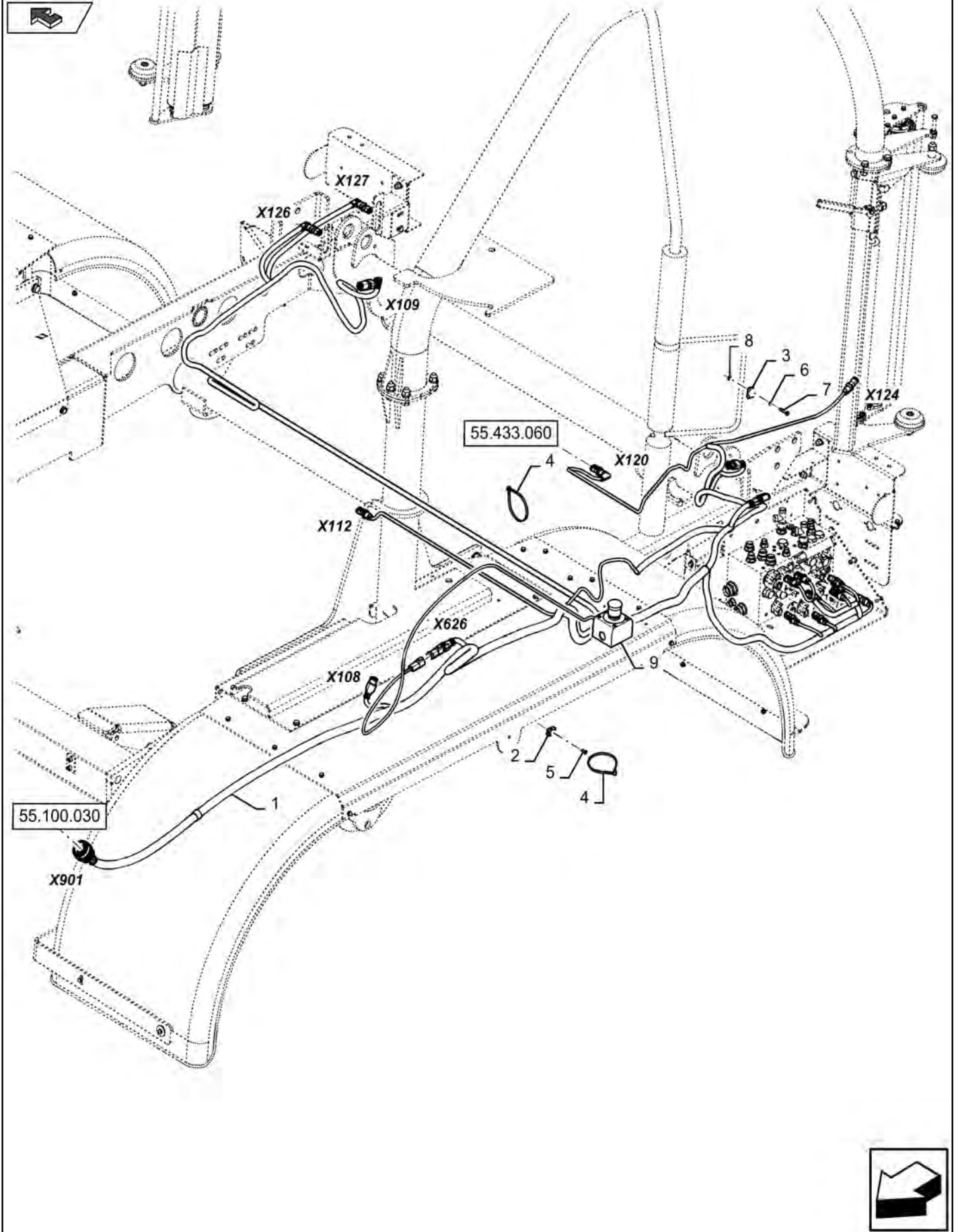
MAIN CABLE HARNESS

REF FN	PART NUMBER	YR/SN	QTY DESCRIPTION
1	47708056		1 WIRE HARNESS Incl 2 - 10
2	1 84157159		1 FUSE 40A, Maxi, Orange
3	1 84253578		1 FUSE 20A
4	1 84539290		2 RELAY 12V, 50A
5	1 84127702		5 FUSE 10A, Mini, Red
6	1 87655334		6 RELAY 12V, 35A, Micro
7	1 84127704		1 FUSE 20A, Mini, Yellow
8	1 84127703		1 FUSE 15A, Mini, Blue
9	1 84153830		2 FUSE 5A, Mini, Beige
10	84404932		3 COVER
11	47448624		1 COVER ASSY
12	84191453		3 SOCKET 12/24V, 20A
13	87737472		1 JAM NUT Hex, M35 x 1
14	86590413		7 BASE 15.87mm W x 22.22mm OAL x 9.9mm Thk
15	86566990		42 CABLE TIE 292mm OAL x 4.8mm W
16	445394		7 RIVET Pop, 3/16" x 1/2" OAL
17	84075487		1 SPACER
18	322358		1 BELLEVILLE WASHER M8 Bolt Size x 18mm OD x 1.4mm Thk
19	120103		1 BOLT M8 x 1.25 x 16mm, Cl 8.8
20	87601142		1 ELEC CONNECTOR Female, 6 Cavities
21	396718		1 STRAP
22	47703997		1 MOUNTING PLATE
23	120104		4 BOLT Hex, M8 x 1.25 x 20mm, Cl 8.8
24	86624184		8 WASHER 9mm ID x 16mm OD x 1.6mm Thk
25	437013		4 NUT
26	120100		6 BOLT M6 x 20mm, Cl 8.8
27	322357		6 BELLEVILLE WASHER M6 Bolt Size x 14mm OD x 1.3mm Thk

(1) MAINTENANCE PART

Orkel GP 1270 Kombi/ Orkel GP 1270S

MAIN CABLE HARNESS COMBI WRAPPER

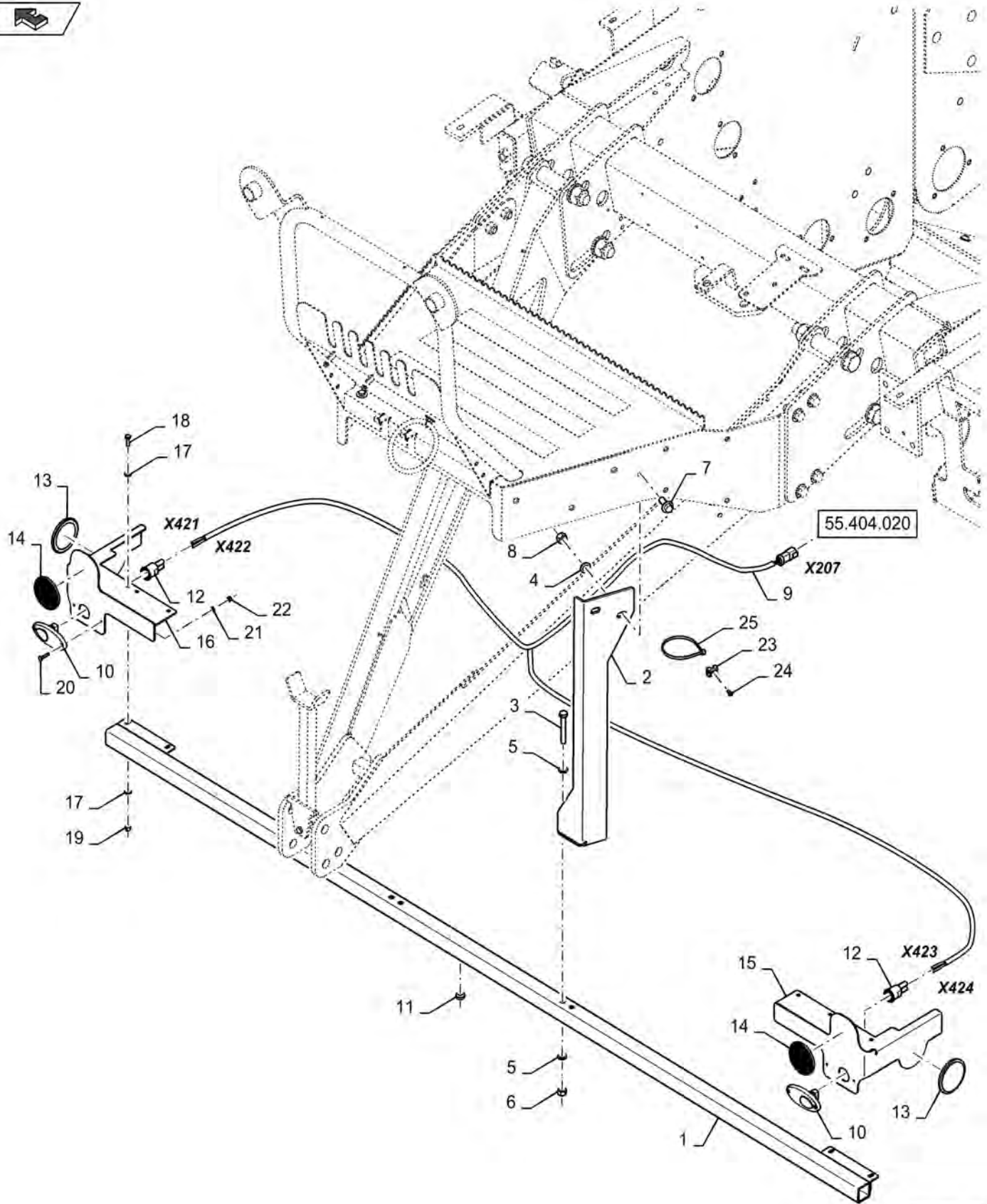


MAIN CABLE HARNESS COMBI WRAPPER

REF FN	PART NUMBER	YR/SN	QTY DESCRIPTION
1	47712279		1 WIRE HARNESS
2	86590413		5 BASE 15.87mm W x 22.22mm OAL x 9.9mm Thk
3	237910		4 WIRE CLAMP 7.9mm, Coat, 7.1mm Bolt Hole, P Type
4	86566990		16 CABLE TIE 292mm OAL x 4.8mm W
5	445394		5 RIVET Pop, 3/16" x 1/2" OAL
6	9824326		4 WASHER 5.3mm ID x 10mm OD x 1mm Thk
7	87016469		4 HEX SOC SCREW M5 x 25mm, CI 8.8
8	86508813		4 NUT M5, CI 8
9	47848832		1 SWITCH

Orkel GP 1270 Kombi/ Orkel GP 1270S

FRONT LIGHTS

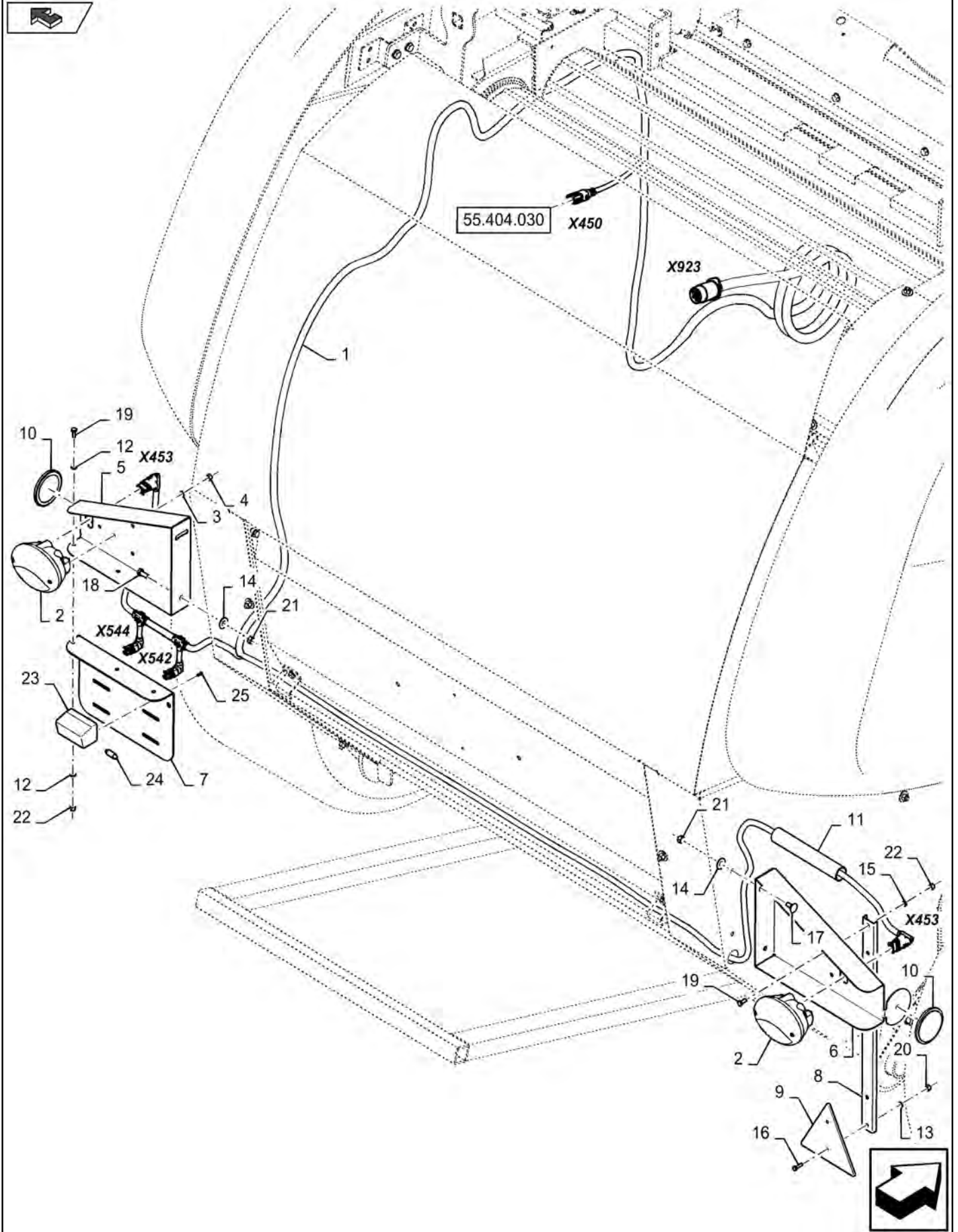


FRONT LIGHTS

REF FN	PART NUMBER	YR/SN	QTY DESCRIPTION
1	47716099		1 SUPPORT
2	47937486		1 SUPPORT LH
2	47937488		1 SUPPORT RH
3	43144		4 BOLT Hex, M10 x 70mm, CI 8.8
4	86511324		3 WASHER 13mm ID x 24mm OD x 2.5mm Thk
5	86511323		8 WASHER 10.5mm ID x 20mm OD x 2mm Thk
6	84100524		4 NUT M10 x 1.5, CI 8
7	9670066		3 FLANGE BOLT Hex, M12 x 30mm, CI 8.8
8	412126		3 NUT M12 x 1.75
9	47929232		1 WIRE HARNESS
10	47689898		2 POSITION LAMP
11	411809		2 GROMMET
12	47706654		2 GROMMET
13	435895		2 REFLECTOR 80mm OD, Orange
14	799266		2 LAMP REFLECTOR
15	48014716		1 SUPPORT
16	48014718		1 SUPPORT
17	86588450		8 WASHER 6.6mm ID x 12mm OD x 1.6mm Thk
18	120100		4 BOLT M6 x 20mm, CI 8.8
19	393392		4 LOCK NUT Prev Torque, M6 x 1, CI 8
20	86511816		4 SCREW Pan, M3 x 0.5 x 16mm, CI 4.8
21	412547		4 LOCK WASHER Serr, M3
22	87358558		4 NUT M3 x 0.5, CI 8.8
23	86590413		5 BASE 15.87mm W x 22.22mm OAL x 9.9mm Thk
24	445394		5 RIVET Pop, 3/16" x 1/2" OAL
25	86566990		10 CABLE TIE 292mm OAL x 4.8mm W

Orkel GP 1270 Kombi/ Orkel GP 1270S

REAR LIGHTS

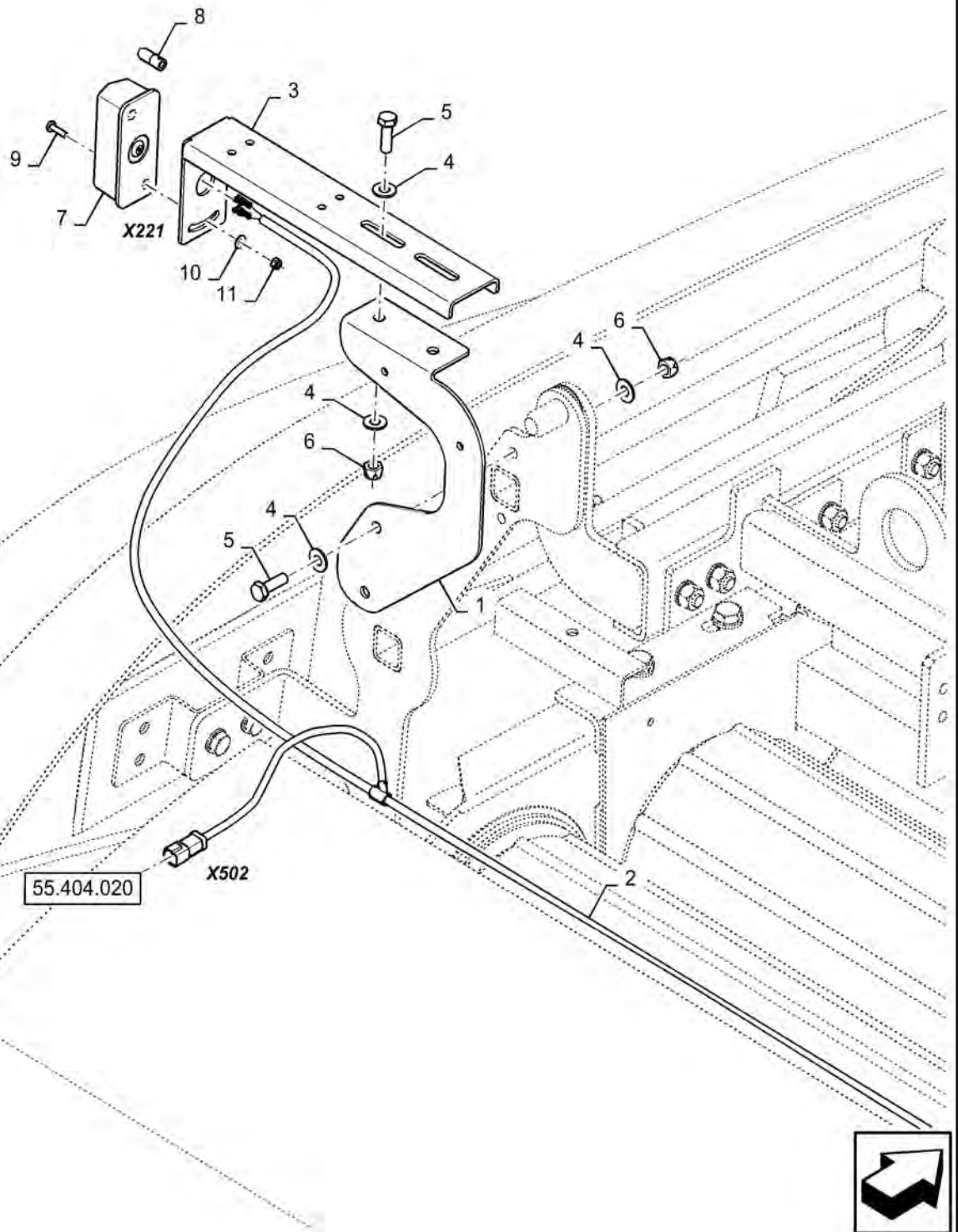


REAR LIGHTS

REF FN	PART NUMBER	YR/SN	QTY DESCRIPTION
1	47732301		1 WIRE HARNESS
2	47400473		2 LAMP 12V, 21W, Clear/Red
3	9824326		4 WASHER 5.3mm ID x 10mm OD x 1mm Thk
4	2977215		4 NUT M5 x 0.8, CI 8
5	47827003		1 BRACKET
6	47827005		1 BRACKET
7	47882689		1 PLATE
8	47557137		2 SUPPORT
9	746294		2 LAMP REFLECTOR
10	435895		2 REFLECTOR 80mm OD, Orange
11	47480400		1 TUBE
12	9824259		4 WASHER 6.4mm ID x 12mm OD x 1.6mm Thk
13	9824326		4 WASHER 5.3mm ID x 10mm OD x 1mm Thk
14	86639313		4 WASHER 9mm ID x 24mm OD x 2mm Thk
15	86588450		4 WASHER 6.6mm ID x 12mm OD x 1.6mm Thk
16	120098		4 BOLT Hex, M5 x 20, 8.8, Full Thd
17	86512420		2 CARRIAGE BOLT Rnd Head, M8 x 1.25 x 20mm, Full Thd, CI 8.8
18	120104		2 BOLT Hex, M8 x 1.25 x 20mm, CI 8.8
19	86508568		6 BOLT Hex, M6 x 1 x 16mm, CI 8.8
20	86639241		4 NUT Prev Torque, M5 x 0.8, CI 8
21	437013		4 NUT
22	393392		6 LOCK NUT Prev Torque, M6 x 1, CI 8
23	84067964		2 NUMBER PLATE LAMP
24	470017		2 BULB C11, 12V, 5W
25	9835804		2 SCREW Oval HD, M3.5 x 1.3 x 13mm

Orkel GP 1270 Kombi/ Orkel GP 1270S

CLEARANCE LIGHT

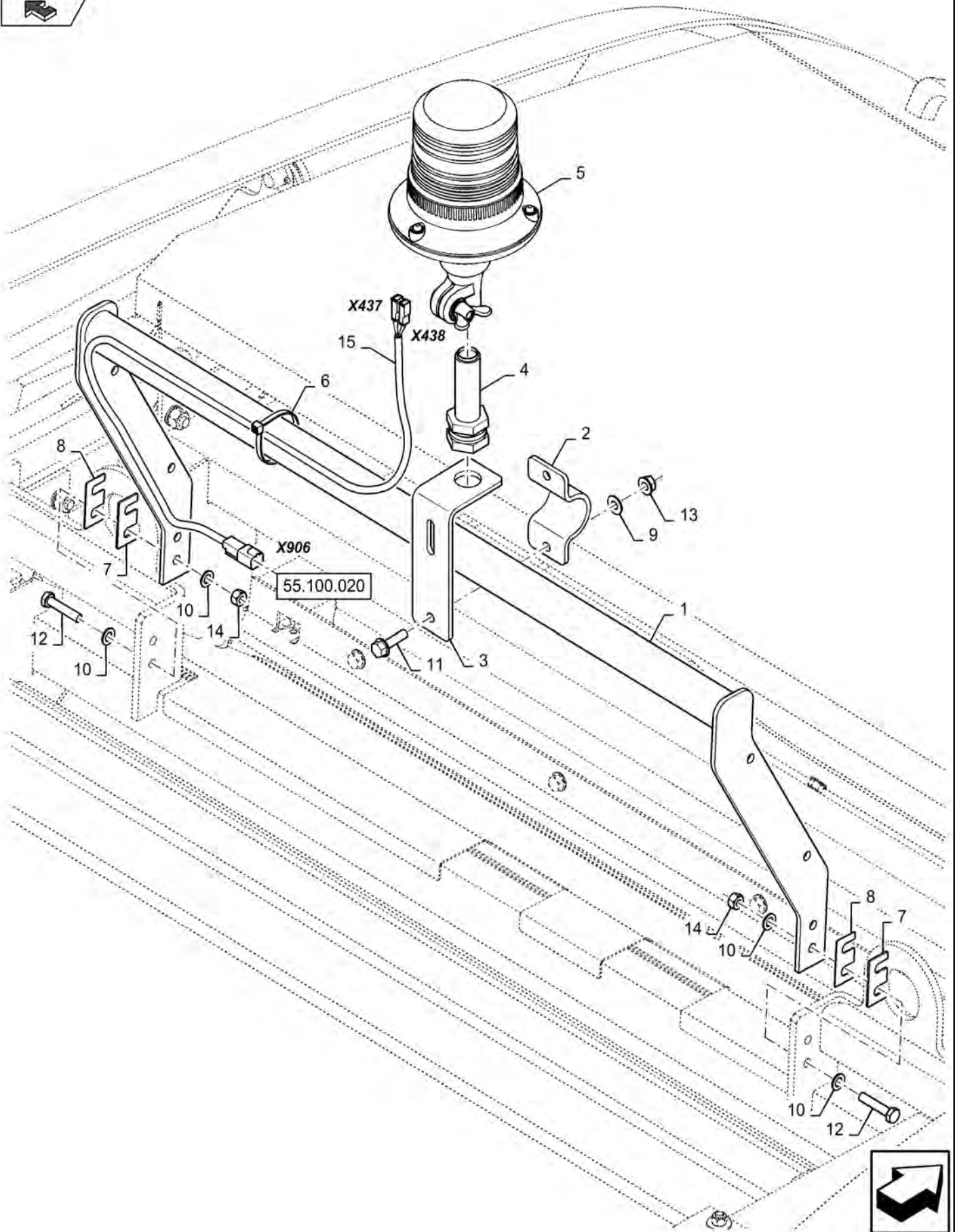


CLEARANCE LIGHT

REF FN	PART NUMBER	YR/SN	QTY DESCRIPTION
1	1	47873684	1 BRACKET LH
1	1	47873686	1 BRACKET RH
1	2	47865781	1 BRACKET LH
1	2	47865783	1 BRACKET RH
2	1	47926532	1 WIRE HARNESS
2	2	47926528	1 WIRE HARNESS
3		47865785	2 BRACKET
4		322358	16 BELLEVILLE WASHER M8 Bolt Size x 18mm OD x 1.4mm Thk
5		43127	8 BOLT Hex, M8 x 1.25 x 25mm, CI 8.8
6		43442	8 NUT
7		47381350	2 POSITION LAMP
8		353078	2 BULB T8/4, 12V, 4W
9		86511042	4 SCREW Pan Head, M4 x 0.7 x 16mm, CI 4.8
10		322355	4 BELLEVILLE WASHER M4 Bolt Size x 10mm OD x 0.9mm Thk
11		385681	4 NUT M4 x 0.7, CI 8
(1)	FOR GP 1270S ONLY		
(2)	FOR GP 1270 KOMBI ONLY		

Orkel GP 1270 Kombi/ Orkel GP 1270S

BEACON

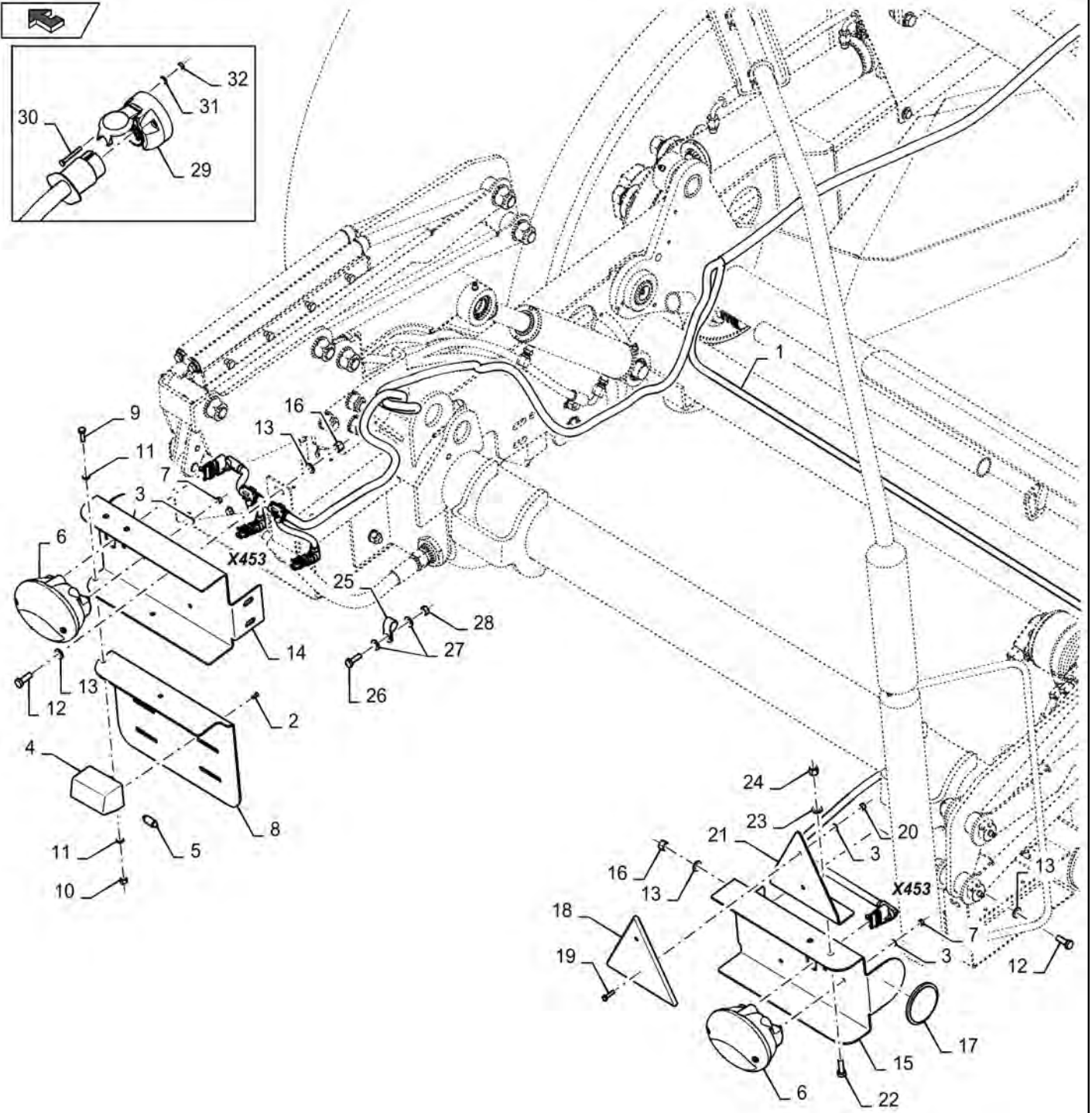


BEACON

REF FN	PART NUMBER	YR/SN	QTY DESCRIPTION
1	47871656		1 SUPPORT
2	87024645		1 CLAMP
3	47899406		1 BRACKET
4	9513422		1 BASE
5	47730264		1 BEACON
6	646223		5 STRAP 8.0" L
7	47613496		4 SHIM
8	47613497		6 SHIM
9	322358		2 BELLEVILLE WASHER M8 Bolt Size x 18mm OD x 1.4mm Thk
10	86624184		8 WASHER 9mm ID x 16mm OD x 1.6mm Thk
11	9804260		2 BOLT Hex, M8 x 1.25 x 30mm, Full Thd, CI 8.8
12	43129		4 BOLT Hex, M8 x 1.25 x 40mm, LH Thd, CI 8.8
13	9804277		2 FLANGE NUT Hex, M8 x 1.25, CI 8
14	437013		4 NUT
15	47930829		1 WIRE HARNESS

Orkel GP 1270 Kombi/ Orkel GP 1270S

REAR LIGHTS

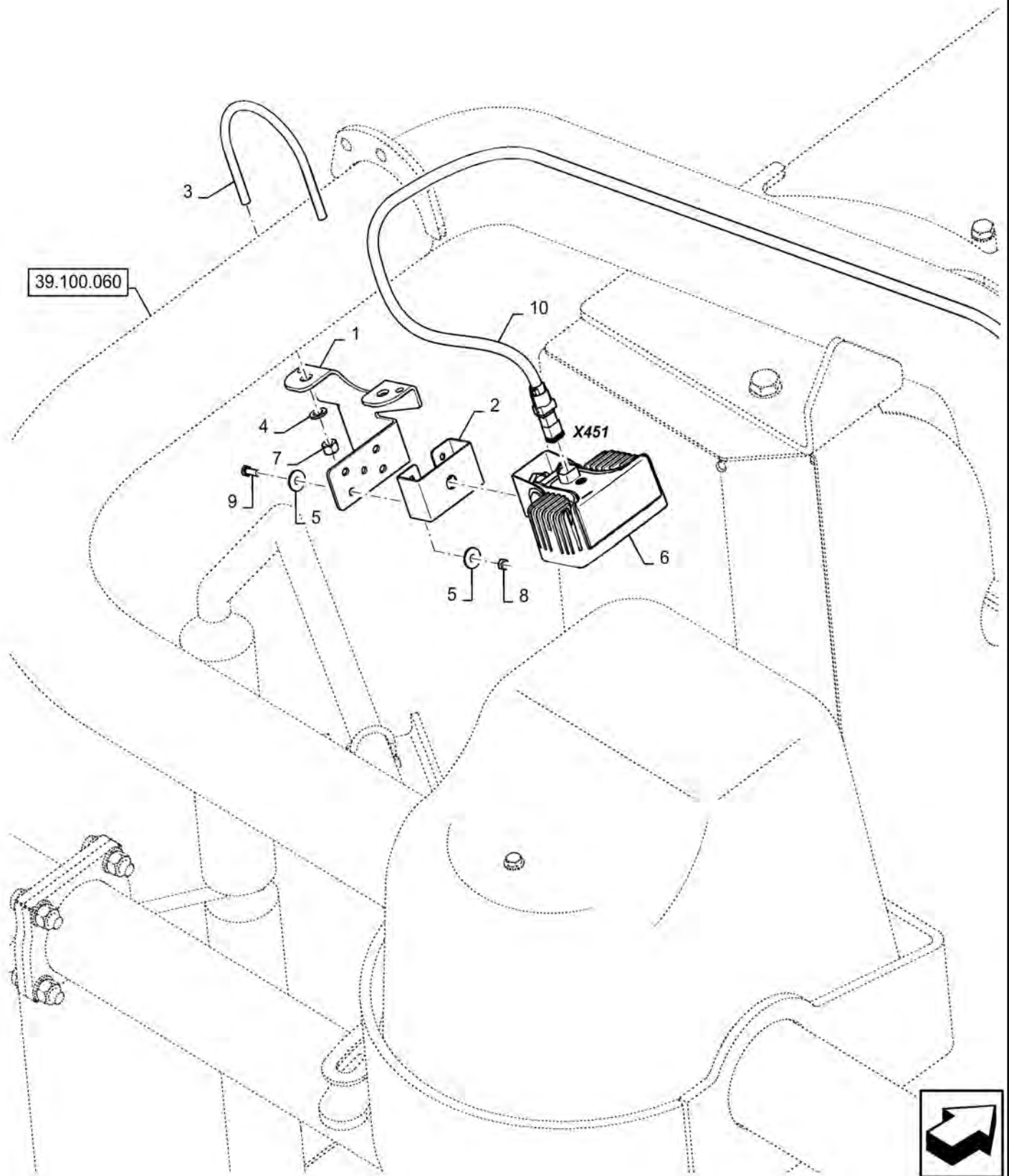


REAR LIGHTS

REF FN	PART NUMBER	YR/SN	QTY DESCRIPTION
1	47722334		1 WIRE HARNESS
2	9835804		4 SCREW Oval HD, M3.5 x 1.3 x 13mm
3	9824326		8 WASHER 5.3mm ID x 10mm OD x 1mm Thk
4	84067964		2 NUMBER PLATE LAMP
5	470017		2 BULB C11, 12V, 5W
6	47400473		2 LAMP 12V, 21W, Clear/Red
7	2977215		4 NUT M5 x 0.8, CI 8
8	47717500		1 BRACKET
9	120100		2 BOLT M6 x 20mm, CI 8.8
10	393392		2 LOCK NUT Prev Torque, M6 x 1, CI 8
11	9824259		4 WASHER 6.4mm ID x 12mm OD x 1.6mm Thk
12	43127		6 BOLT Hex, M8 x 1.25 x 25mm, CI 8.8
13	10519601		12 WASHER 8.15mm ID x 17mm OD x 2mm Thk
14	47973511		1 BRACKET
15	47974152		1 BRACKET
16	393393		6 NUT
17	435895		4 REFLECTOR 80mm OD, Orange
18	746294		2 LAMP REFLECTOR
19	120098		4 BOLT Hex, M5 x 20, 8.8, Full Thd
20	86639241		4 NUT Prev Torque, M5 x 0.8, CI 8
21	48074811		2 PLATE
22	43127		4 BOLT Hex, M8 x 1.25 x 25mm, CI 8.8
23	10519601		4 WASHER 8.15mm ID x 17mm OD x 2mm Thk
24	393393		4 NUT
25	86625035		2 CLAMP 12.7mm, Coat, 7.1mm Bolt Hole, P Type
26	120100		2 BOLT M6 x 20mm, CI 8.8
27	322357		4 BELLEVILLE WASHER M6 Bolt Size x 14mm OD x 1.3mm Thk
28	9706755		2 NUT M6, CI 8
29	83959716		1 POWER SOCKET 7 Pins
30	86585707		3 SCREW Phillips Drive, Pan HD, M4 x 35mm, CI 4.8
31	322358		3 BELLEVILLE WASHER M8 Bolt Size x 18mm OD x 1.4mm Thk
32	100012		3 NUT M4 x 0.7, CI 8

Orkel GP 1270 Kombi/ Orkel GP 1270S

WORK LIGHT



WORK LIGHT

REF FN	PART NUMBER	YR/SN	QTY DESCRIPTION
1	47898340		1 BRACKET
2	47518838		1 MOUNTING PLATE
3	47898341		1 U-BOLT
4	86624184		2 WASHER 9mm ID x 16mm OD x 1.6mm Thk
5	84188433		4 WASHER 6.15mm ID x 18mm OD x 2mm Thk
6	84555763		1 WORK LAMP LED, 12V, Clear
7	437013		2 NUT
8	86508813		2 NUT M5, CI 8
9	10977834		2 BOLT Hex, M5 x 16mm, CI 10.9, Full Thd
10	47926056		1 WIRE HARNESS

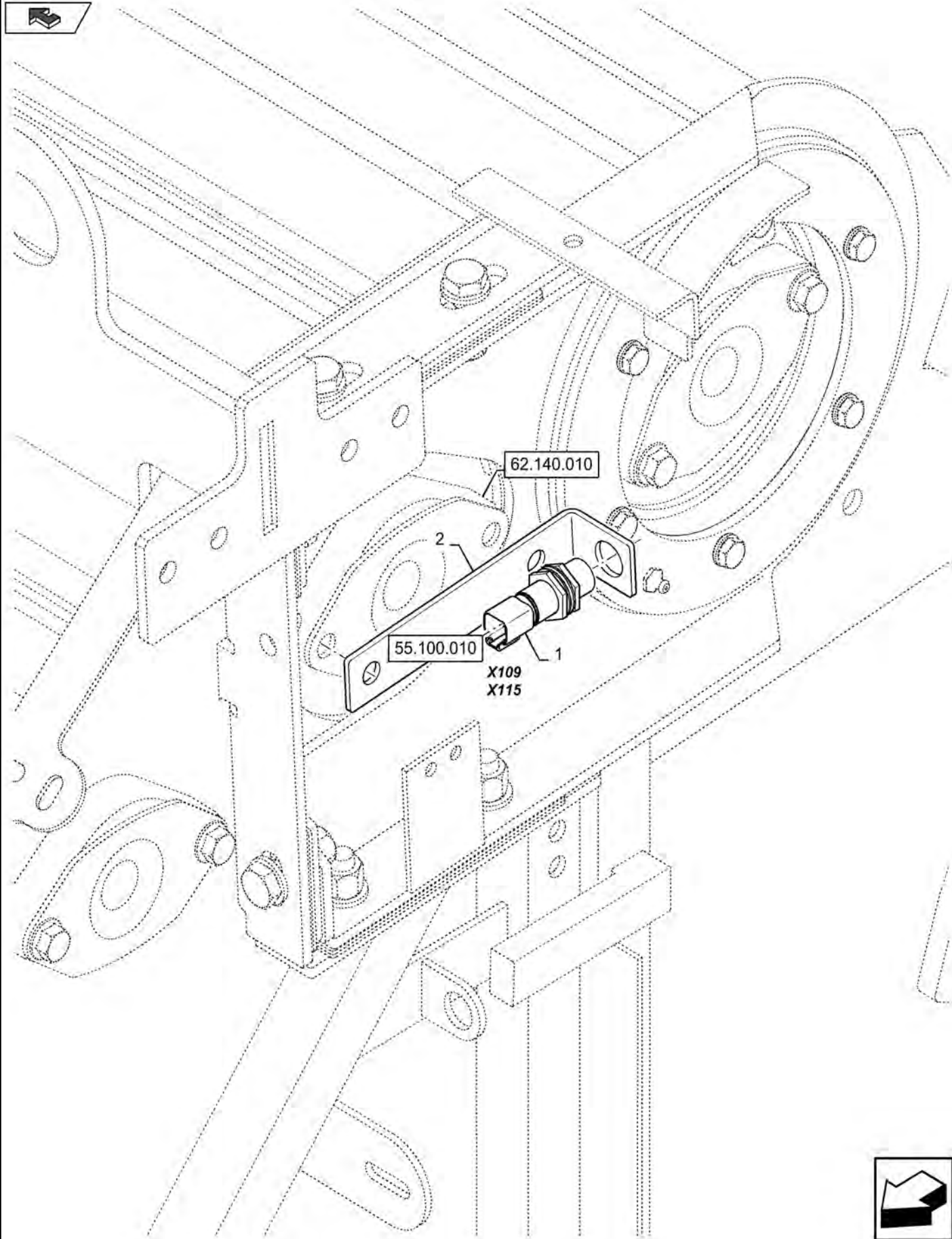
Orkel GP 1270 Kombi/ Orkel GP 1270S

55.422.010

p1

4/2017

TAILGATE OPEN SENSOR



55.422.010

p1

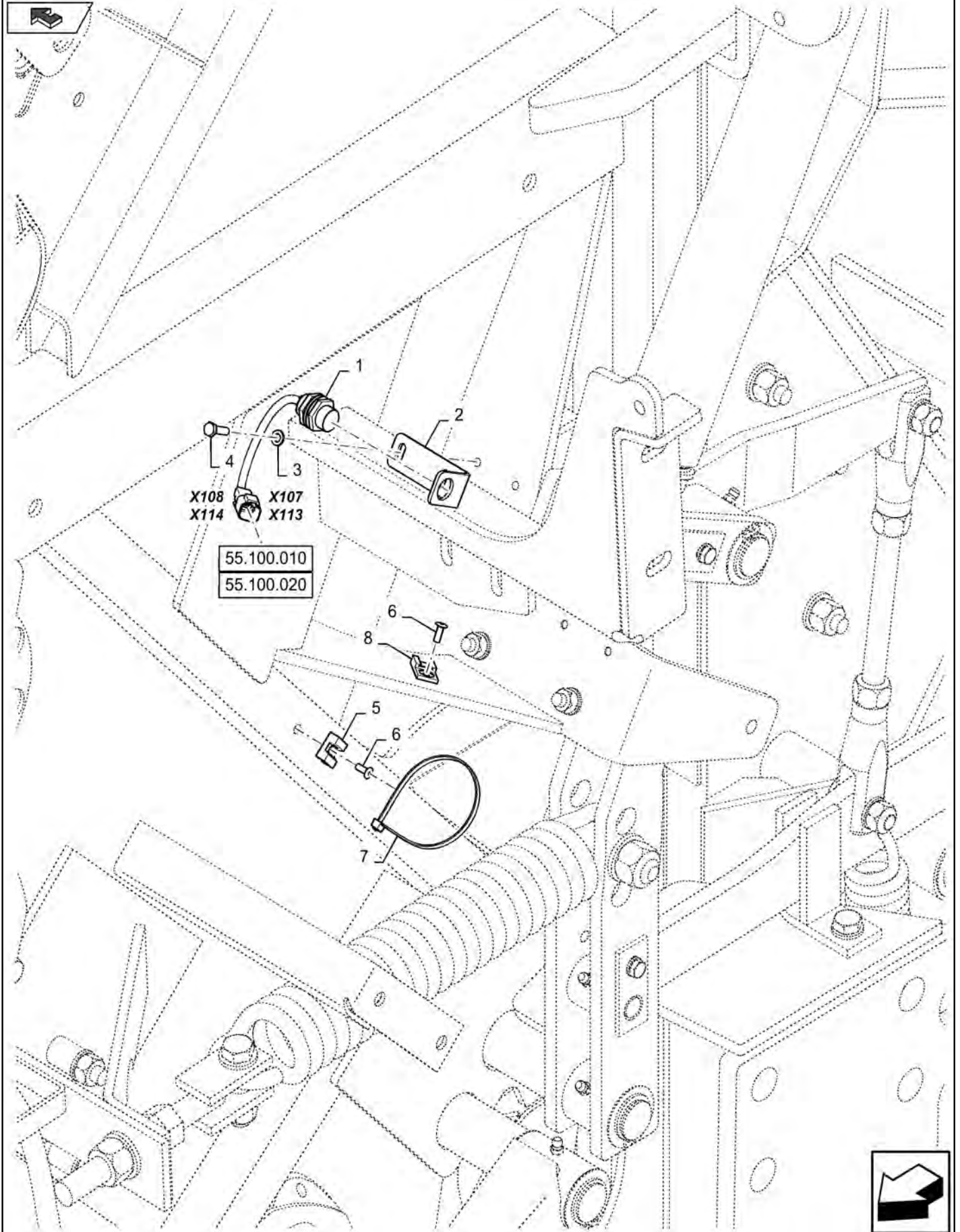
4/2017

TAILGATE OPEN SENSOR

REF FN	PART NUMBER	YR/SN	QTY DESCRIPTION
1	84391774		1 SENSOR TAILGATE OPEN SENSOR
2	47928446		1 BRACKET

Orkel GP 1270 Kombi/ Orkel GP 1270S

CHAMBER LOCK SENSOR, LH & RH



55.422.020

p1

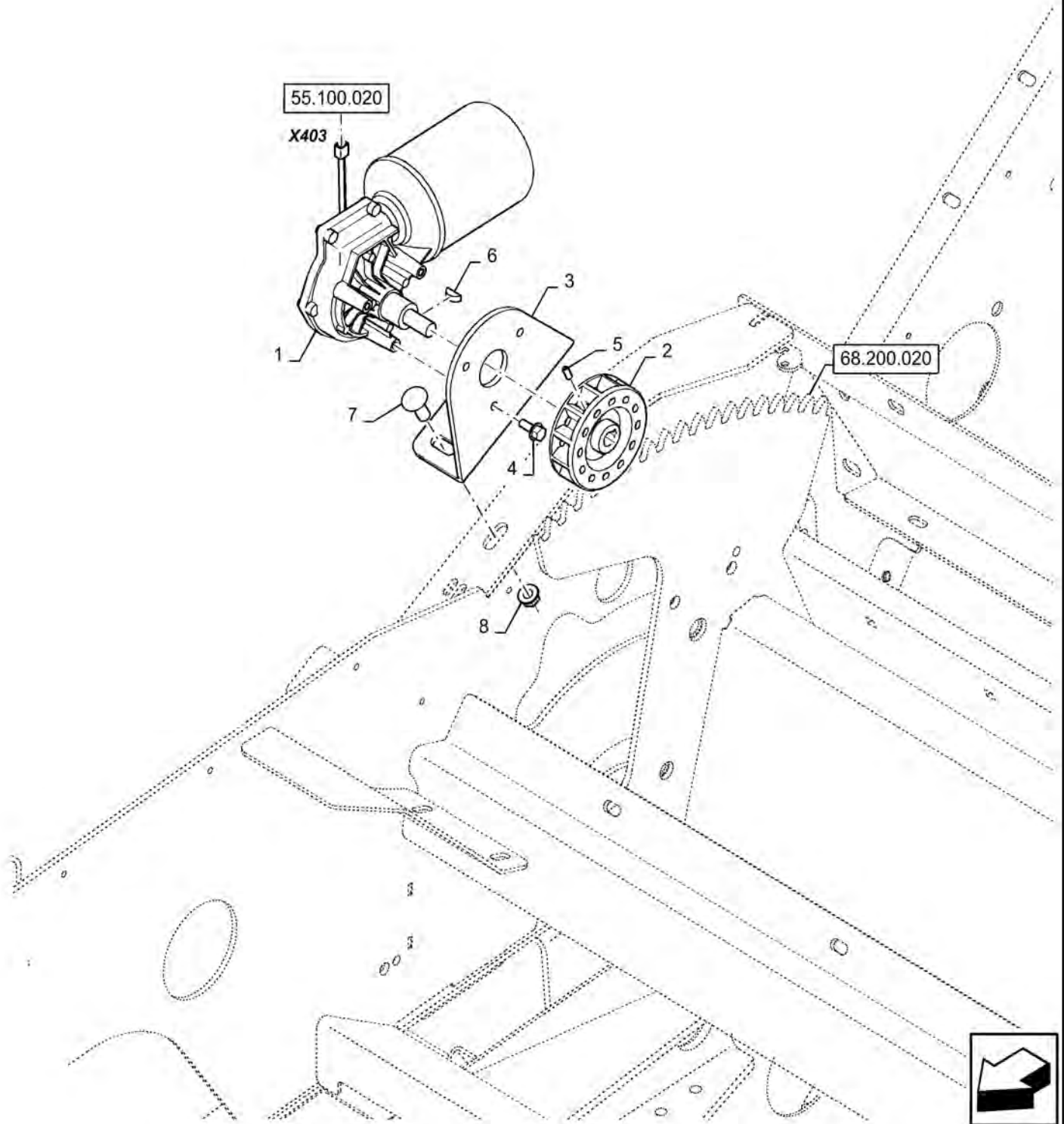
4/2017

CHAMBER LOCK SENSOR, LH & RH

REF FN	PART NUMBER	YR/SN	QTY DESCRIPTION
1	87342073		2 SENSOR Chamber lock sensor
2	47943672		2 MOUNTING PLATE
3	86588450		4 WASHER 6.6mm ID x 12mm OD x 1.6mm Thk
4	120100		4 BOLT M6 x 20mm, CI 8.8
5	86590413		6 BASE 15.87mm W x 22.22mm OAL x 9.9mm Thk
6	445394		8 RIVET Pop, 3/16" x 1/2" OAL
7	86566990		6 CABLE TIE 292mm OAL x 4.8mm W
8	87716495		2 CLAMP

Orkel GP 1270 Kombi/ Orkel GP 1270S

NET WRAPPER ELECTRICAL MOTOR



55.433.010

p1

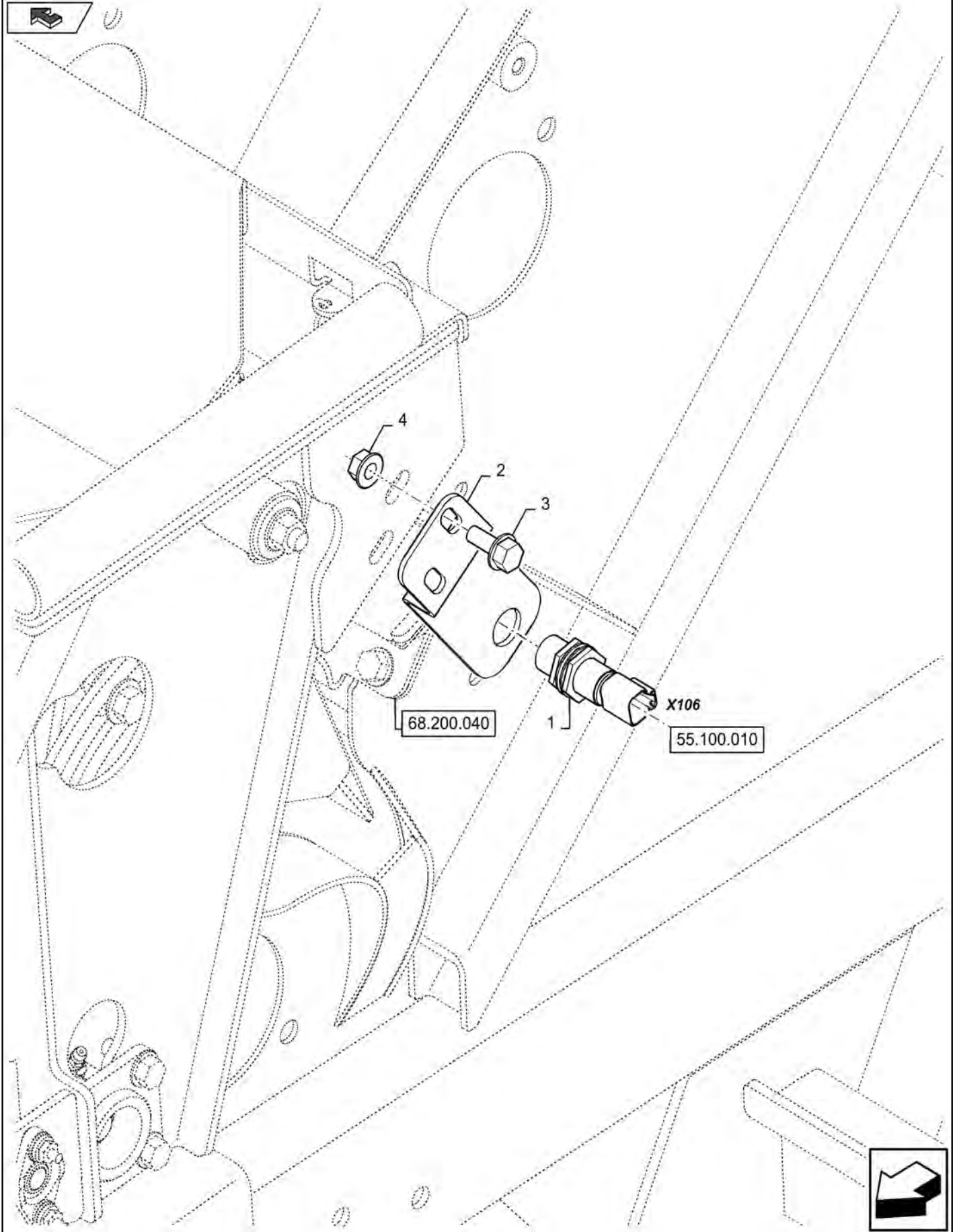
4/2017

NET WRAPPER ELECTRICAL MOTOR

REF FN	PART NUMBER	YR/SN	QTY DESCRIPTION
1	47373275		1 ELECTRIC MOTOR
2	47475888		1 GEAR
3	47682490		1 ANGLE
4	9804255		3 BOLT Hex, M6 x 1 x 16mm, Full Thd, Cl 8.8
5	80974		1 SET SCREW Hex Soc, #10-24 x 1/2"
6	84041731		1 WOODRUFF KEY 5mm W x 6.5mm H x 16mm L
7	86633356		2 CARRIAGE BOLT M10 x 34.8mm, Cl 8.8
8	9804278		2 FLANGE NUT M10 x 1.5, Cl 8

Orkel GP 1270 Kombi/ Orkel GP 1270S

NET WRAPPER KIFE POSITION SENSOR



55.433.020

p1

4/2017

NET WRAPPER KIFE POSITION SENSOR

REF FN	PART NUMBER	YR/SN	QTY DESCRIPTION
1	84391774		1 SENSOR
2	47697001		1 PLATE
3	9804258		2 BOLT Hex, M8 x 1.25 x 20mm, CI 8.8
4	9804277		2 FLANGE NUT Hex, M8 x 1.25, CI 8

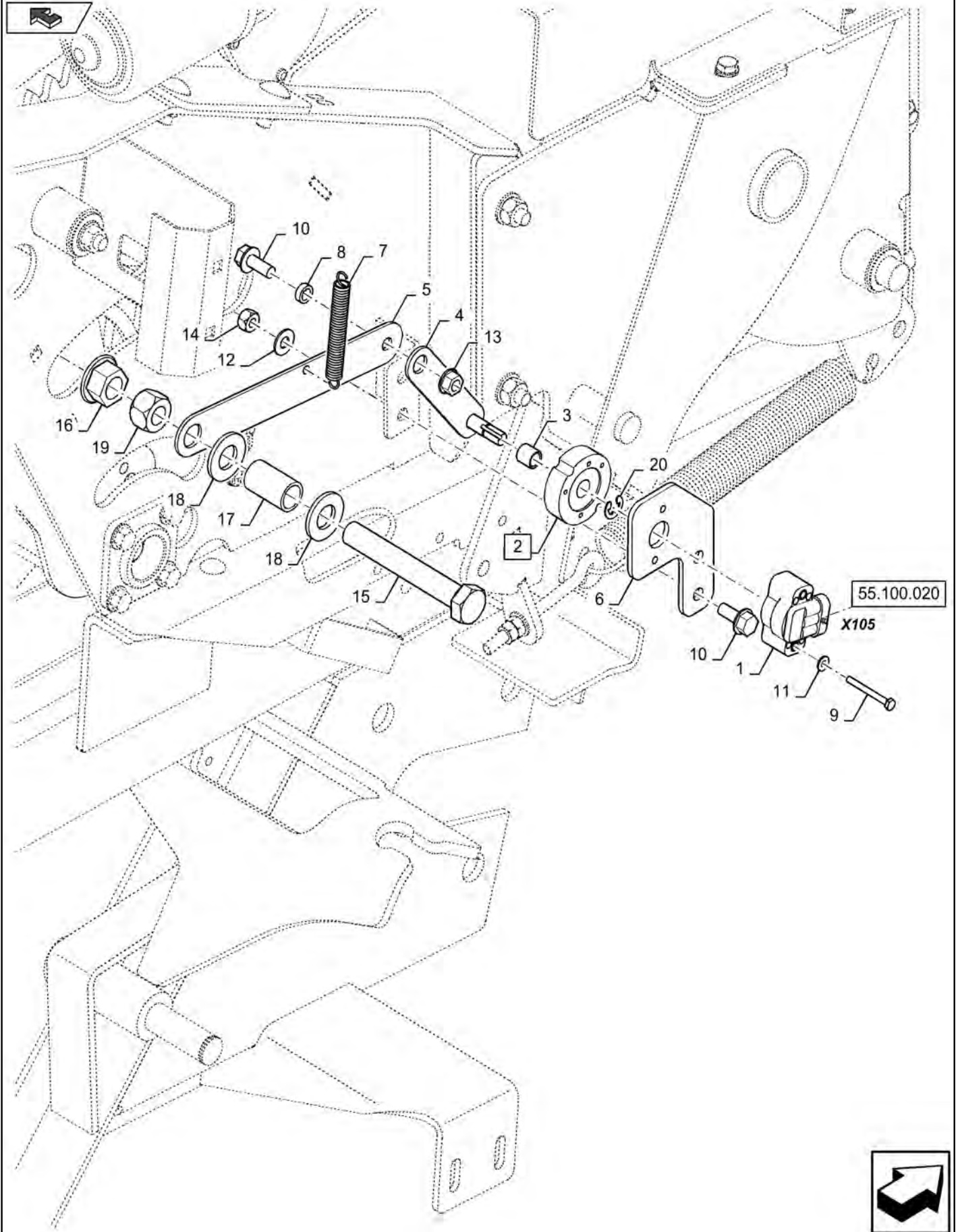
Orkel GP 1270 Kombi/ Orkel GP 1270S

55.433.030

p1

4/2017

DUCKBILL POSITION SENSOR



DUCKBILL POSITION SENSOR

REF FN	PART NUMBER	YR/SN	QTY DESCRIPTION
1	84403671		1 SENSOR
2	84403671		1 SENSOR Incl 3
3	86509761		1 BUSHING
4	47689639		1 ARM
5	47681840		1 ARM
6	47738077		1 PLATE
7	86539482		1 SPRING
8	177822		1 SPACER 8.33mm ID x 12.7mm OD x 4.32mm Thk
9	87384106		2 BOLT M4 x 42.92mm, CI 8.8
10	9804258		3 BOLT Hex, M8 x 1.25 x 20mm, CI 8.8
11	322355		2 BELLEVILLE WASHER M4 Bolt Size x 10mm OD x 0.9mm Thk
12	322358		2 BELLEVILLE WASHER M8 Bolt Size x 18mm OD x 1.4mm Thk
13	9804277		1 FLANGE NUT Hex, M8 x 1.25, CI 8
14	437013		2 NUT
15	161909		1 BOLT Hex, M16 x 2 x 110mm, CI 8.8, Full Thd
16	9804280		1 FLANGE NUT Hex, M16, CI 8
17	47943996		1 SPACER
18	86639311		2 WASHER 17.5mm ID x 34mm OD x 3mm Thk
19	84312238		1 NUT
20	86000439		1 SNAP RING 0.288" ID x 0.66" OD x 0.037" Thk, External

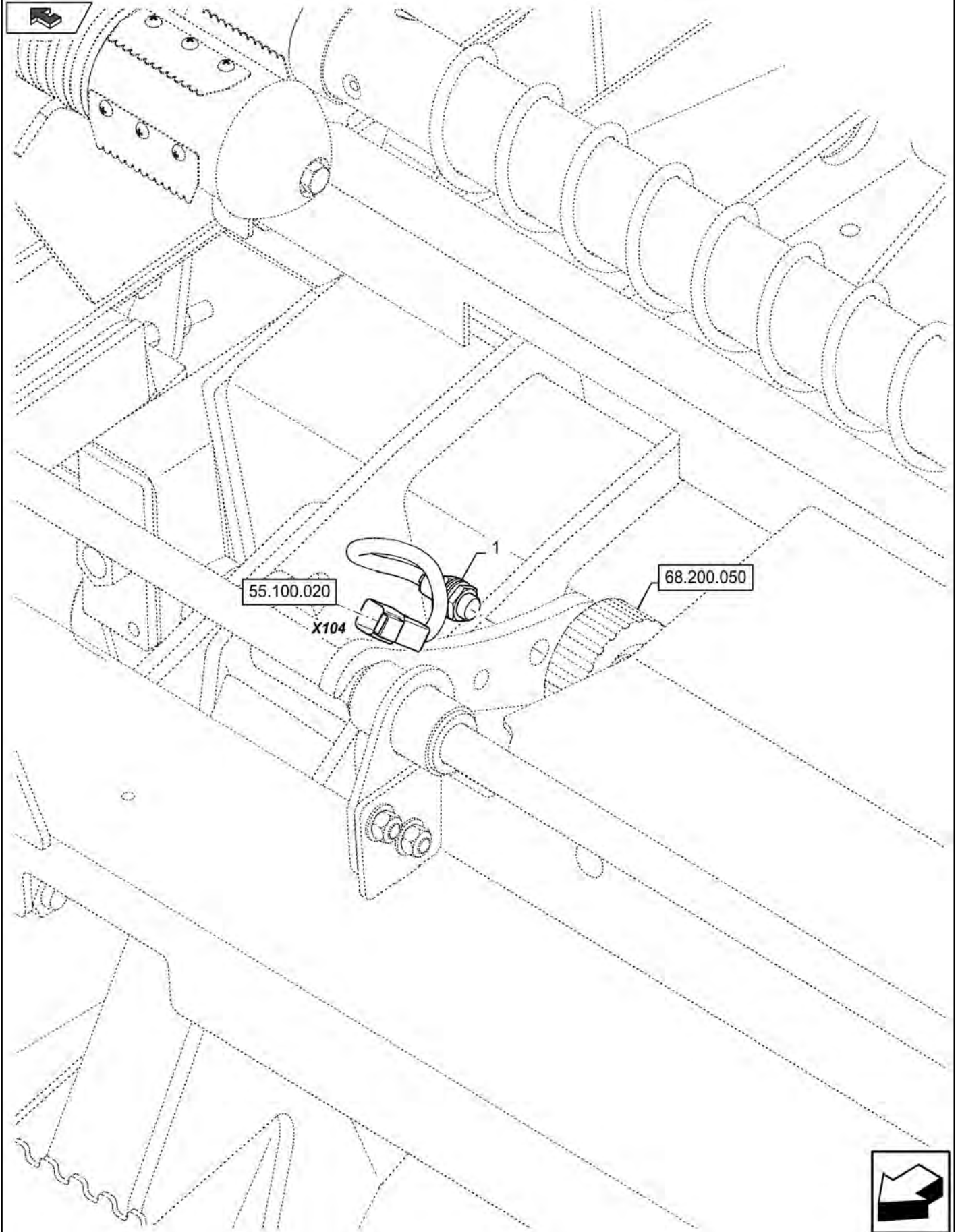
Orkel GP 1270 Kombi/ Orkel GP 1270S

55.433.040

p1

4/2017

NET WRAPPER SPEED SENSOR



55.433.040

p1

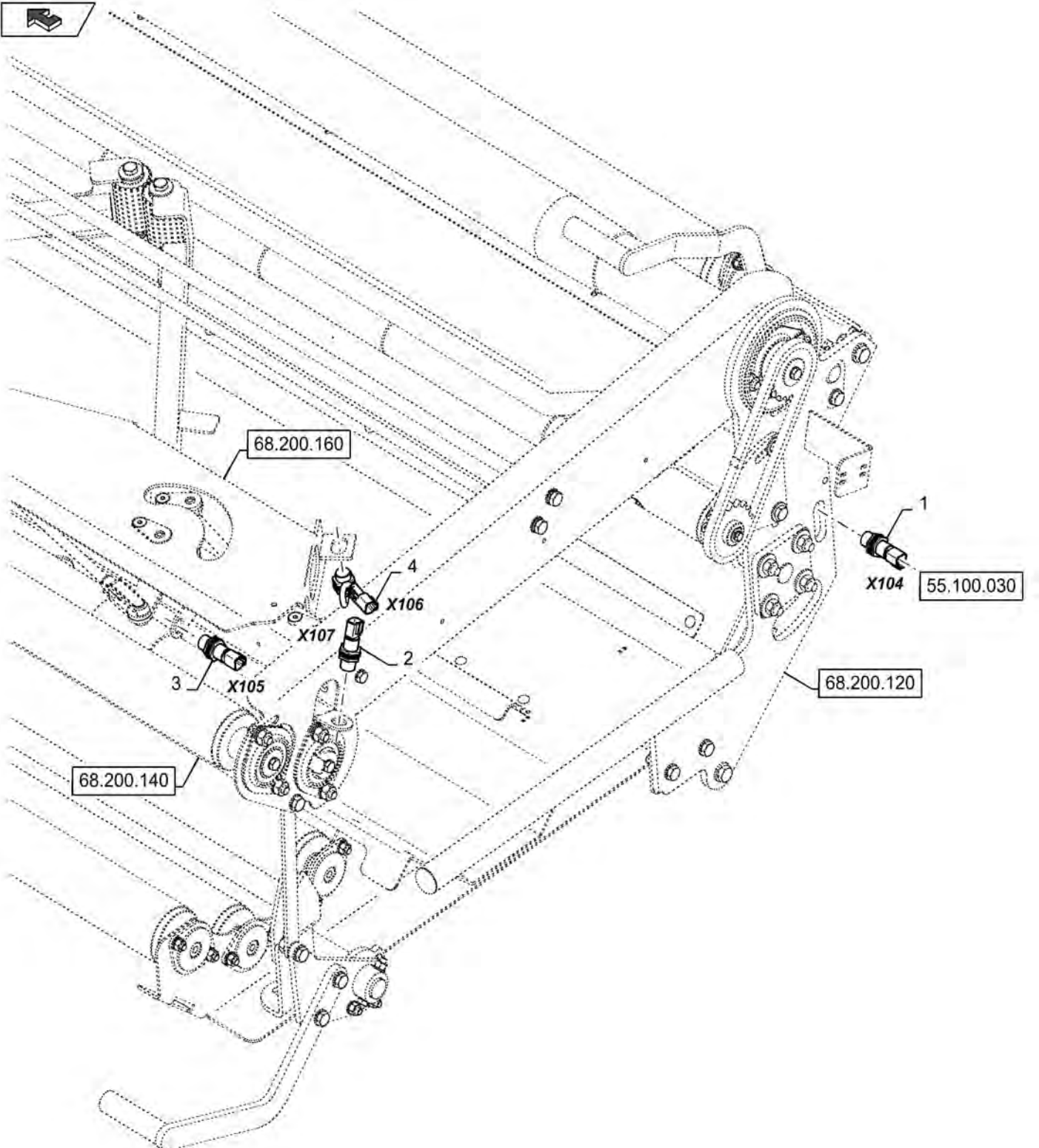
4/2017

NET WRAPPER SPEED SENSOR

REF FN	PART NUMBER	YR/SN	QTY DESCRIPTION
1	87355383		1 SENSOR

Orkel GP 1270 Kombi/ Orkel GP 1270S

NET WRAPPER SENSORS



55.433.050

p1

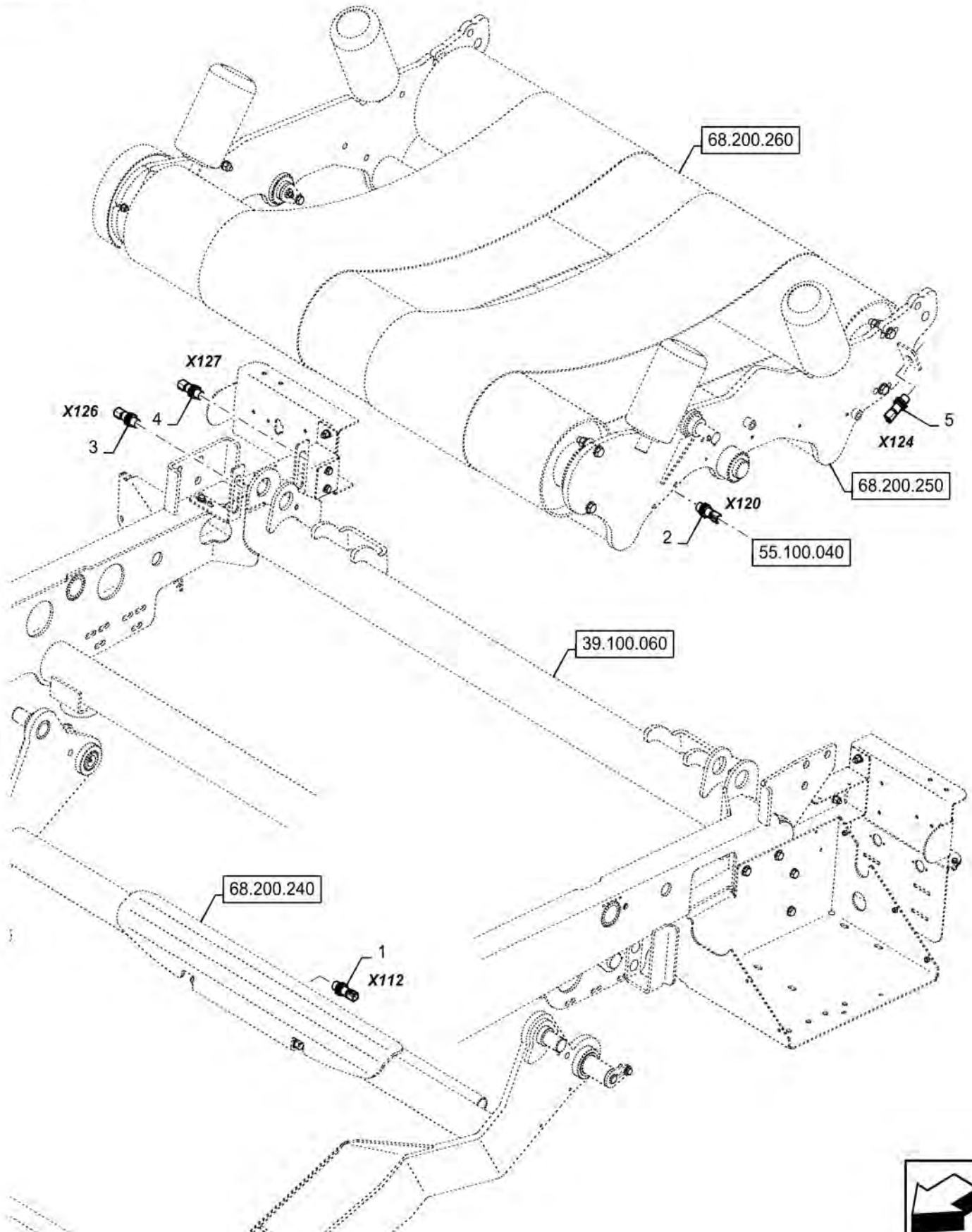
4/2017

NET WRAPPER SENSORS

REF FN	PART NUMBER	YR/SN	QTY DESCRIPTION
1	84391774		1 SENSOR Knife Open
2	84391774		1 SENSOR HIT Plastic Pulse
3	84391774		1 SENSOR Bundle Closed
4	87342073		1 SENSOR Bundle Open

Orkel GP 1270 Kombi/ Orkel GP 1270S

WRAPPER, LOADER SENSOR



55.433.060

p1

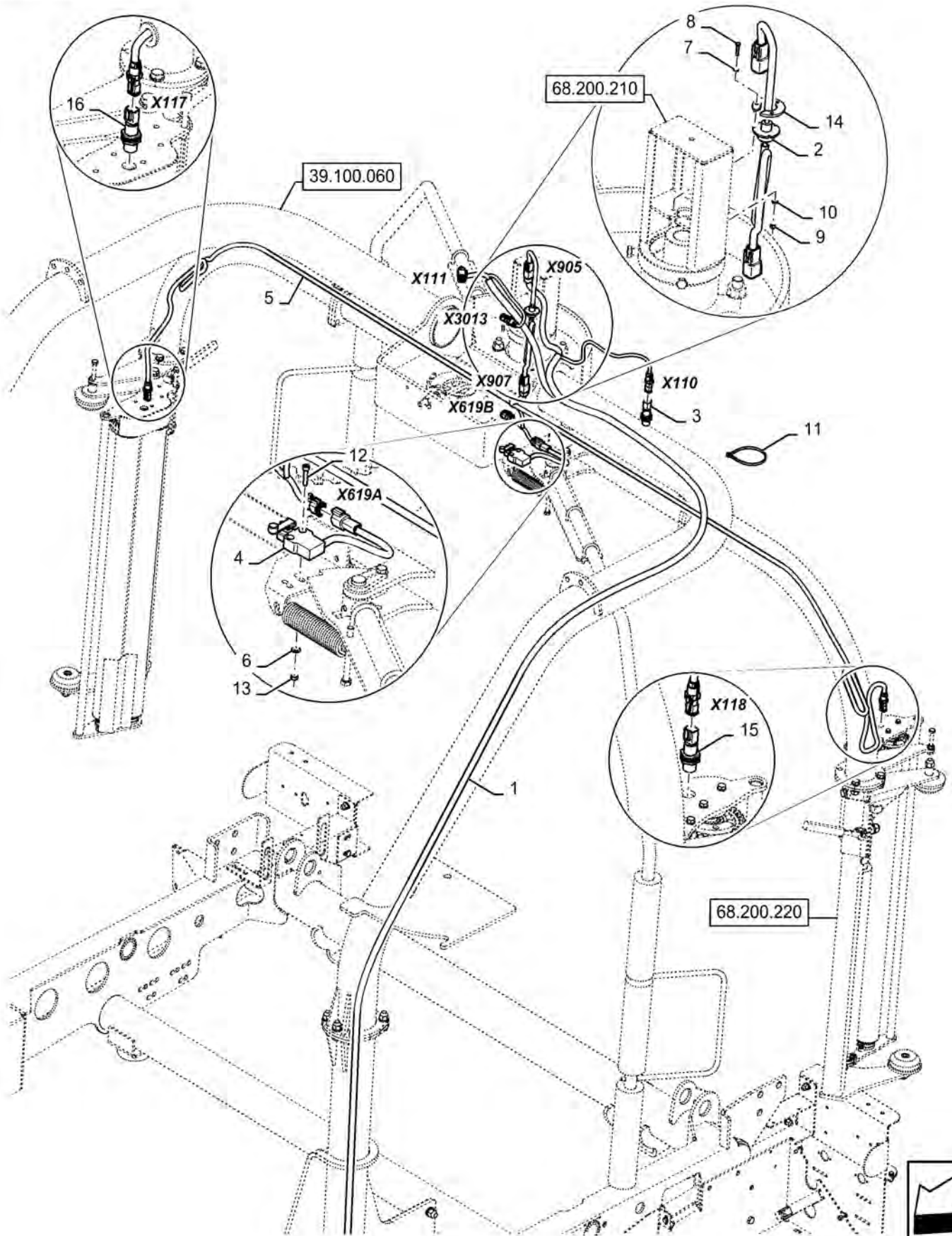
4/2017

WRAPPER, LOADER SENSOR

REF FN	PART NUMBER	YR/SN	QTY DESCRIPTION
1	84391774		1 SENSOR Bale On Conveyor
2	84391774		1 SENSOR Bale On Table
3	84391774		1 SENSOR Table Load Pos Sensor
4	84391774		1 SENSOR Table Unload Pos Sensor
5	84391774		1 SENSOR 1/4 Turn Sensor

Orkel GP 1270 Kombi/ Orkel GP 1270S

WRAPPER ARMS ELECTRICITY

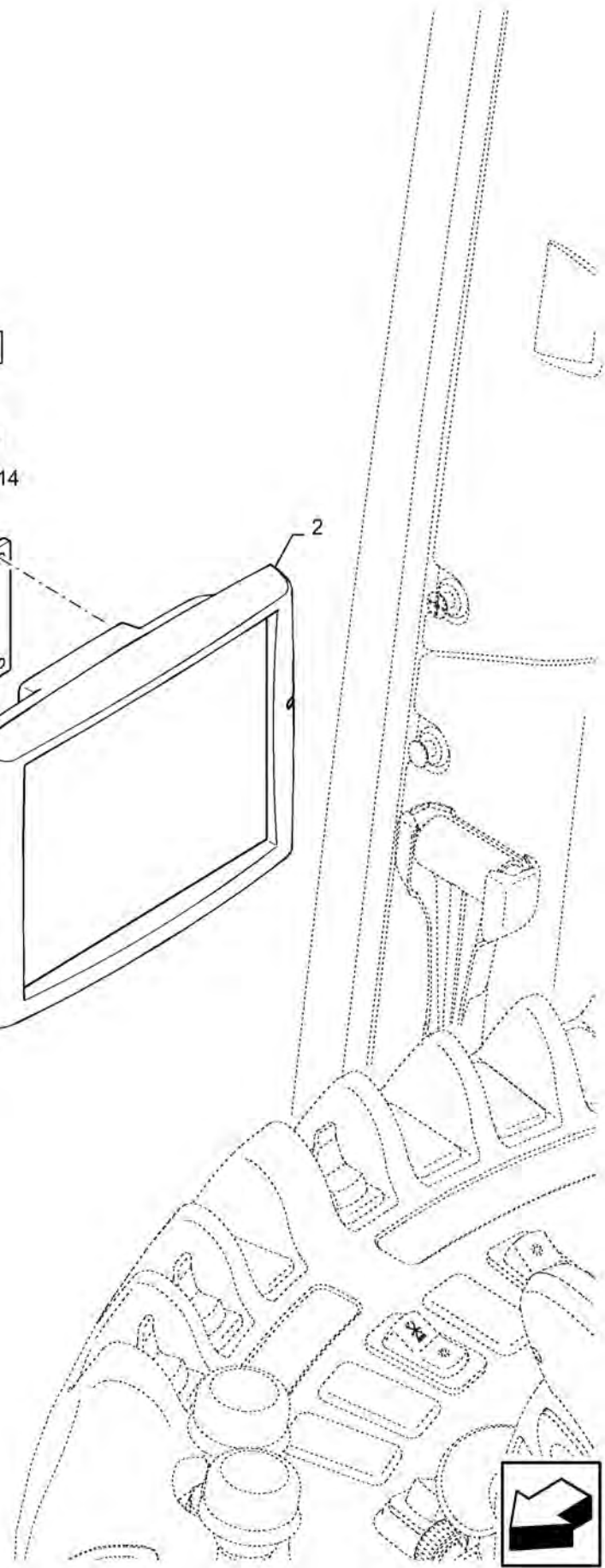
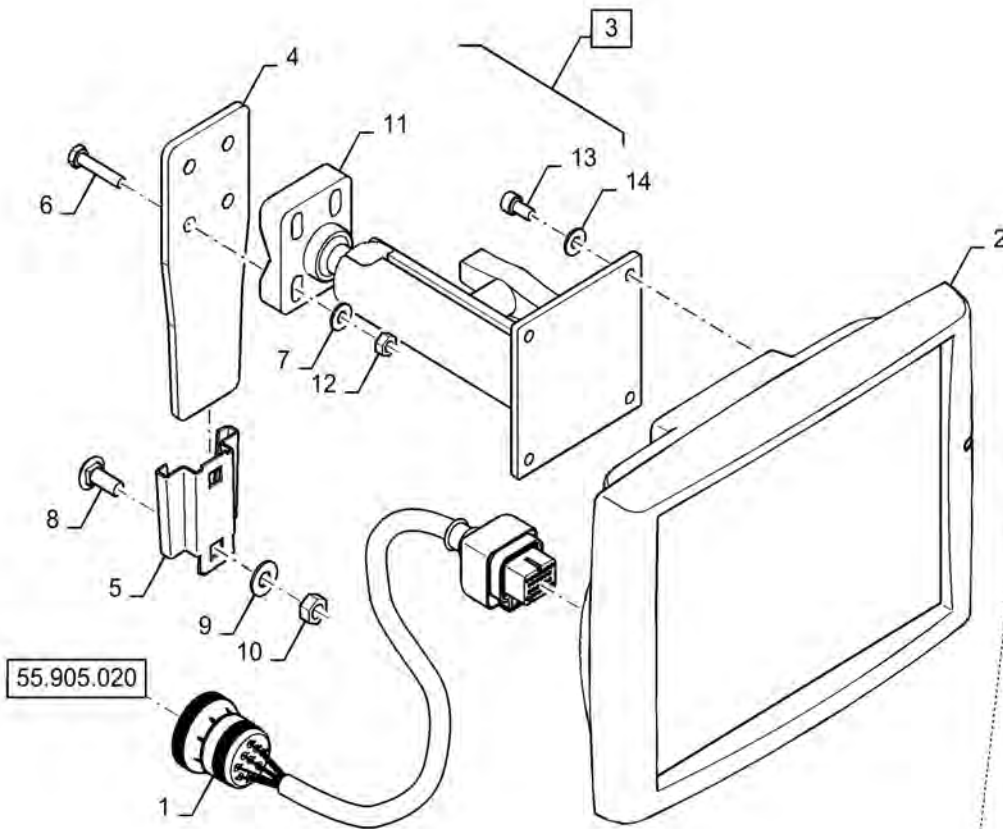


WRAPPER ARMS ELECTRICITY

REF FN	PART NUMBER	YR/SN	QTY DESCRIPTION
1	47712280		1 WIRE HARNESS
2	47712281		1 WIRE HARNESS
3	84391774		1 SENSOR Wrapper Arm Home Position
4	84807307		2 SWITCH ASSY Emergency Stop Bar Switch
5	47823631		1 WIRE HARNESS
6	322356		4 BELLEVILLE WASHER M5 Bolt Size x 12mm OD x 1.85mm Thk
7	86639310		3 WASHER 3.2mm ID x 7mm OD x 0.5mm Thk
8	86511816		3 SCREW Pan, M3 x 0.5 x 16mm, CI 4.8
9	87358558		3 NUT M3 x 0.5, CI 8.8
10	87389403		3 BELLEVILLE WASHER M3 Bolt Size x 8mm OD x 0.6mm Thk
11	86566990		7 CABLE TIE 292mm OAL x 4.8mm W
12	87016469		4 HEX SOC SCREW M5 x 25mm, CI 8.8
13	86508813		4 NUT M5, CI 8
14	48007005		1 RING
15	84391774		1 SENSOR Film Sensor 2
16	84391774		1 SENSOR Ref Speed Sensor

Orkel GP 1270 Kombi/ Orkel GP 1270S

CONTROL MONITOR

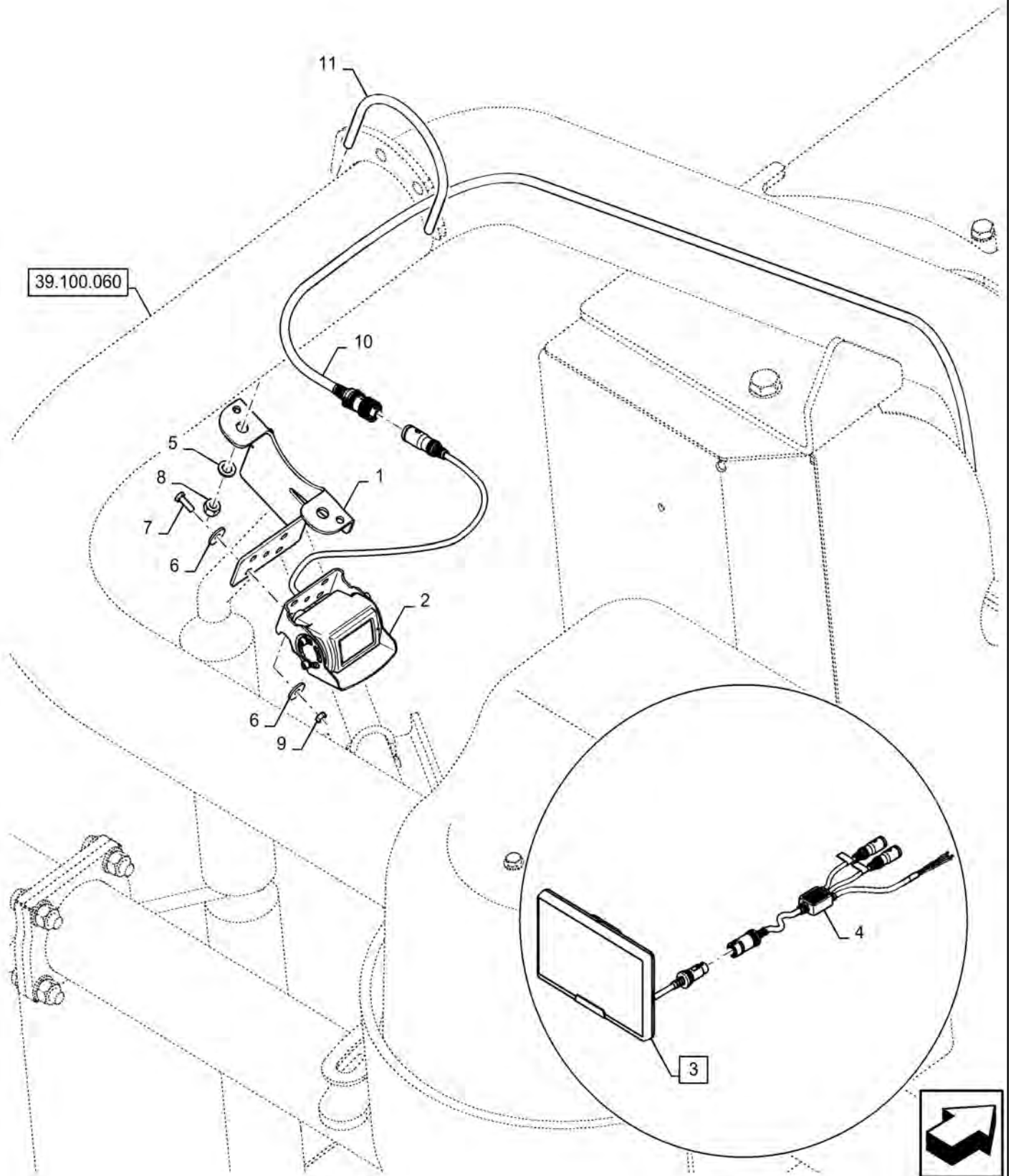


CONTROL MONITOR

REF FN	PART NUMBER	YR/SN	QTY DESCRIPTION
1	47533754		1 WIRE HARNESS
2	47963721		1 KIT
3	84484709		1 ARM Incl 4 - 12
4	84348886		1 MOUNTING PLATE
5	9837606		1 CLIP
6	120101		4 BOLT Hex, M6 x 1 x 30mm, CI 8.8
7	322357		4 BELLEVILLE WASHER M6 Bolt Size x 14mm OD x 1.3mm Thk
8	86507486		2 CARRIAGE BOLT M8 x 1.25 x 20mm, CI 8.8
9	322358		2 BELLEVILLE WASHER M8 Bolt Size x 18mm OD x 1.4mm Thk
10	9706690		2 NUT M8 x 1.25, CI 8
11	87386396		1 MOUNT
12	9706755		4 NUT M6, CI 8
13	63582		4 HEX SOC SCREW M6 x 12mm, CI 8.8
14	322357		4 BELLEVILLE WASHER M6 Bolt Size x 14mm OD x 1.3mm Thk

Orkel GP 1270 Kombi/ Orkel GP 1270S

CAMERA KIT



CAMERA KIT

REF FN	PART NUMBER	YR/SN	QTY DESCRIPTION
1	47898340		1 BRACKET
2	84315054		1 VIDEO CAMERA
3	84377704		1 MONITOR Incl 4
4	NSS		1 NOT SOLD SEPARAT incl in 3
5	86624184		2 WASHER 9mm ID x 16mm OD x 1.6mm Thk
6	84188433		8 WASHER 6.15mm ID x 18mm OD x 2mm Thk
7	10977821		4 BOLT M5 x 19.65mm OAL, CI 8.8
8	437013		2 NUT
9	86508813		4 NUT M5, CI 8
10	47501091		1 CABLE EXTENSION
11	47898341		1 U-BOLT

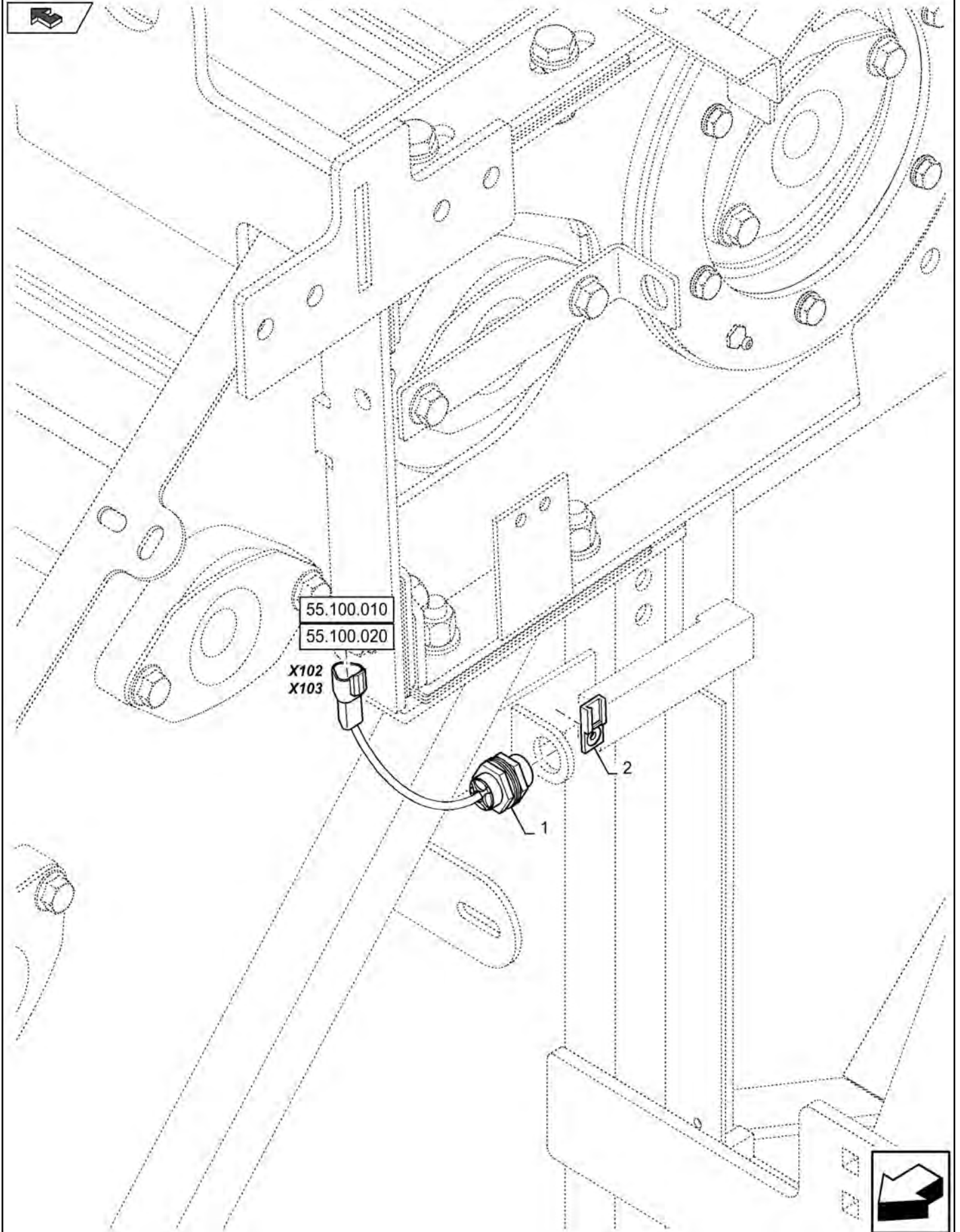
Orkel GP 1270 Kombi/ Orkel GP 1270S

55.630.010

p1

4/2017

BALE DENSITY SENSOR, LH & RH



55.630.010

p1

4/2017

BALE DENSITY SENSOR, LH & RH

REF FN	PART NUMBER	YR/SN	QTY DESCRIPTION
1	87363211		2 SENSOR Bale density sensor
2	87716495		2 CLAMP

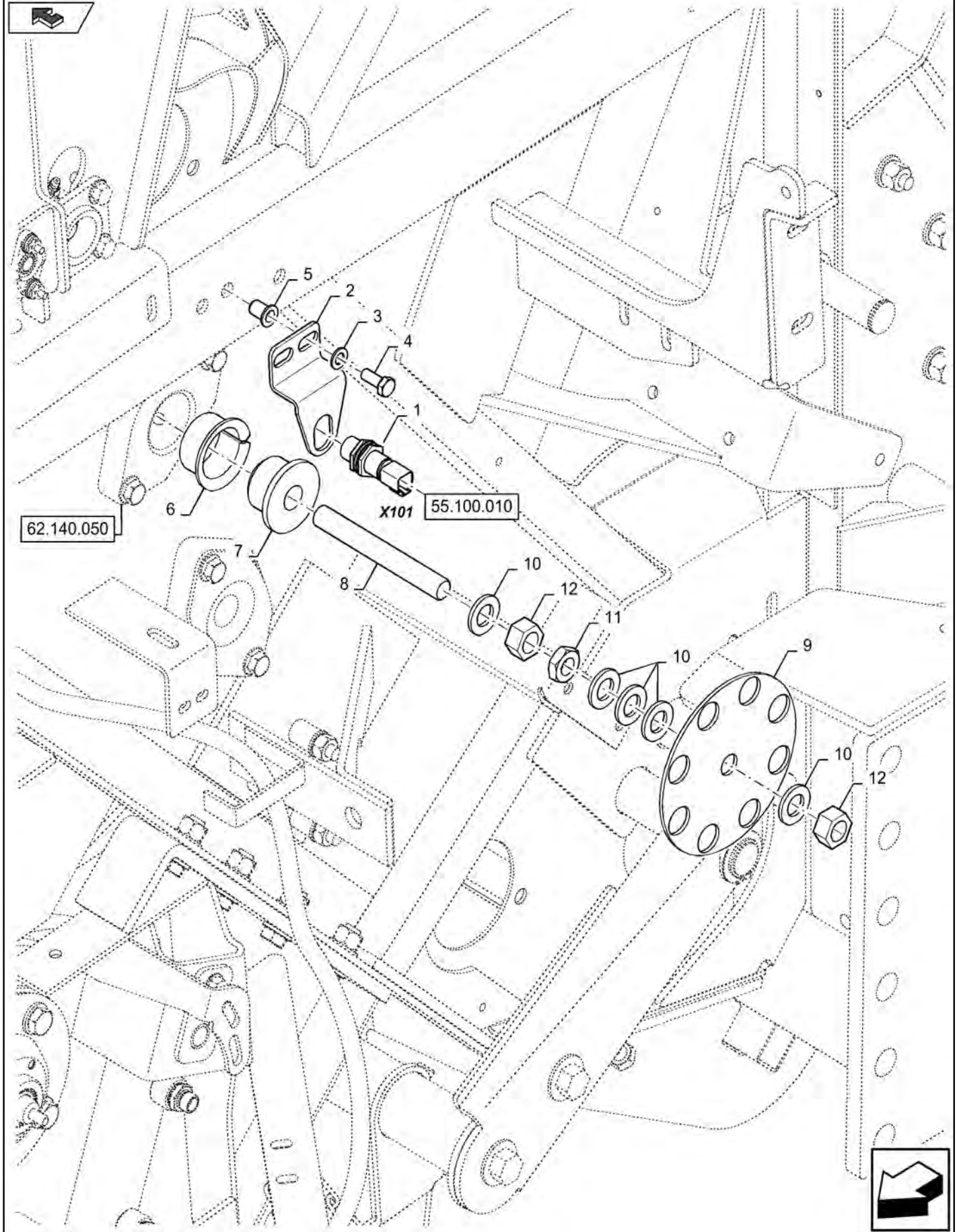
Orkel GP 1270 Kombi/ Orkel GP 1270S

55.633.010

p1

4/2017

MAIN FRAME ROLLS SPEED SENSOR

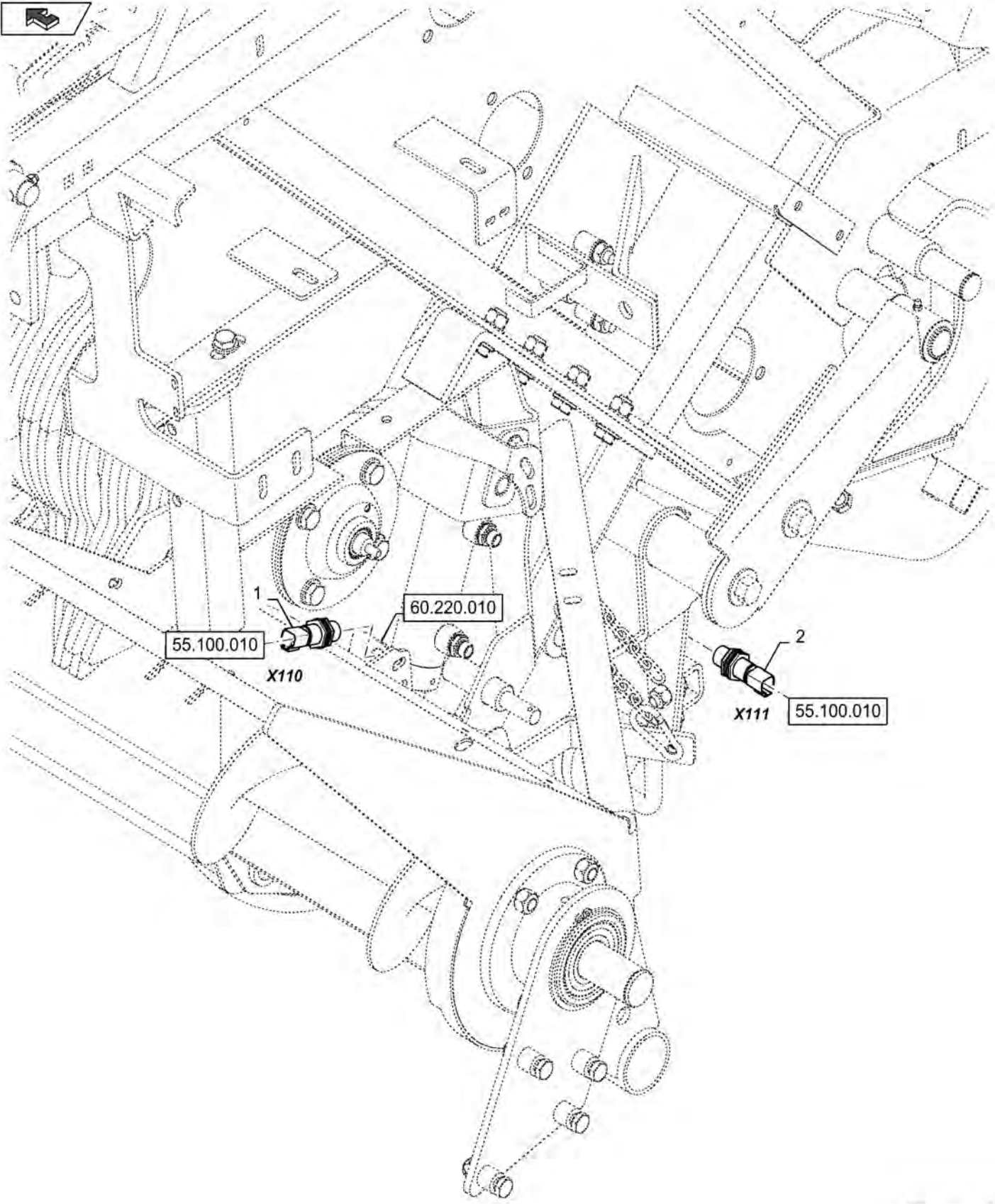


MAIN FRAME ROLLS SPEED SENSOR

REF FN	PART NUMBER	YR/SN	QTY DESCRIPTION
1	87342073		1 SENSOR PTO speed sensor
2	47856890		1 BRACKET
3	86624184		2 WASHER 9mm ID x 16mm OD x 1.6mm Thk
4	120104		2 BOLT Hex, M8 x 1.25 x 20mm, CI 8.8
5	47447328		2 THREADED INSERT
6	47454159		1 BUSHING
7	47472782		1 BUSHING 19mm ID x 55mm OD x 32.5mm L
8	47489005		1 ROD
9	47856839		1 DISK
10	86511326		5 WASHER 17mm ID x 30mm OD x 3mm Thk
11	10717521		1 THIN NUT M16 x 2mm, CI 05
12	100020		2 NUT M16 x 2.0, CI 8

Orkel GP 1270 Kombi/ Orkel GP 1270S

ROTOR CUTTER KNIVES - AND DROP FLOOR SENSOR



55.633.020

p1

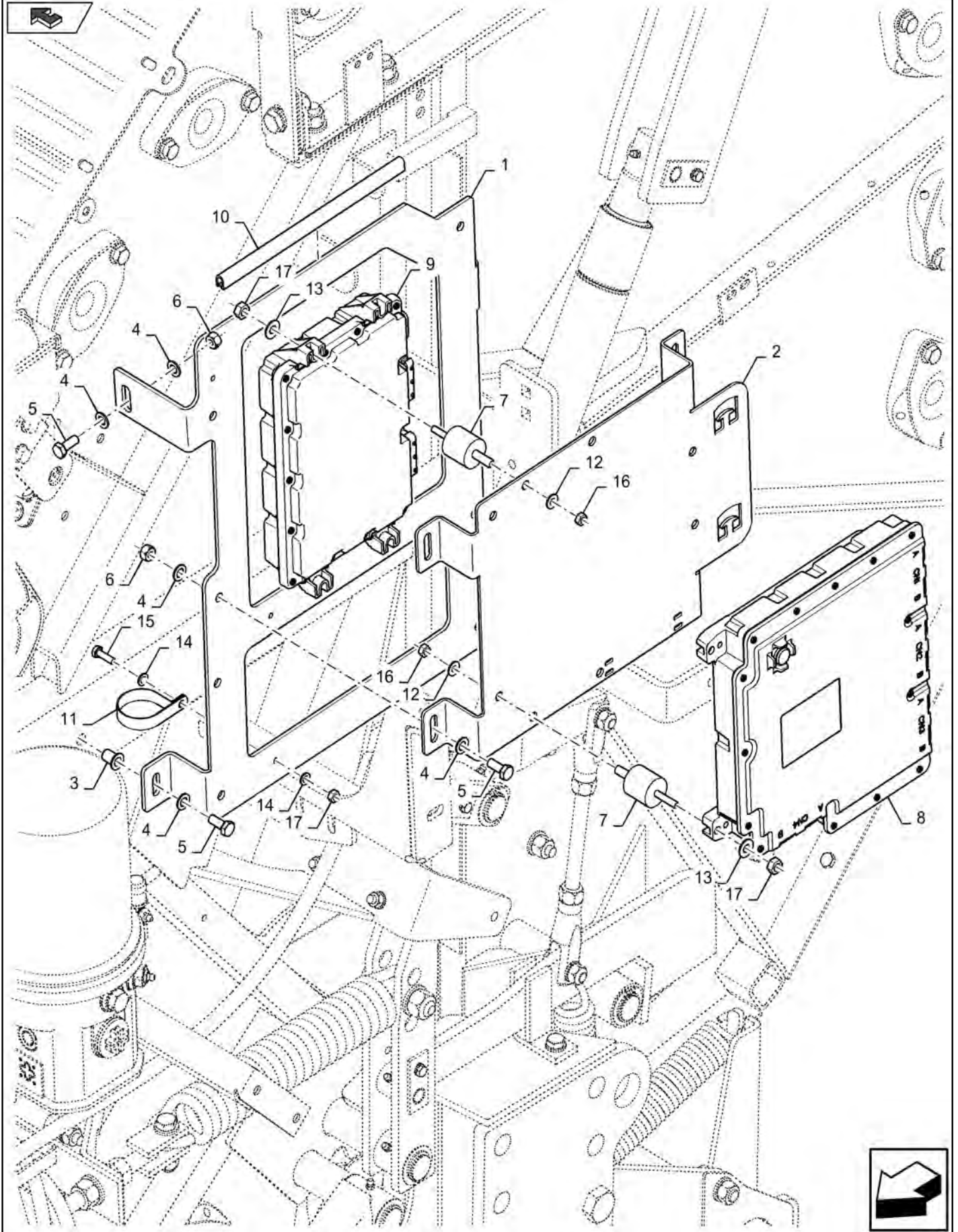
4/2017

ROTOR CUTTER KNIVES - AND DROP FLOOR SENSOR

REF FN	PART NUMBER	YR/SN	QTY DESCRIPTION
1	84391774		1 SENSOR Knive sensor
2	84391774		1 SENSOR Drop floor sensor

Orkel GP 1270 Kombi/ Orkel GP 1270S

H-BRIDGE AND UNIFIED COMMUNICATIONS MODULE (UCM)

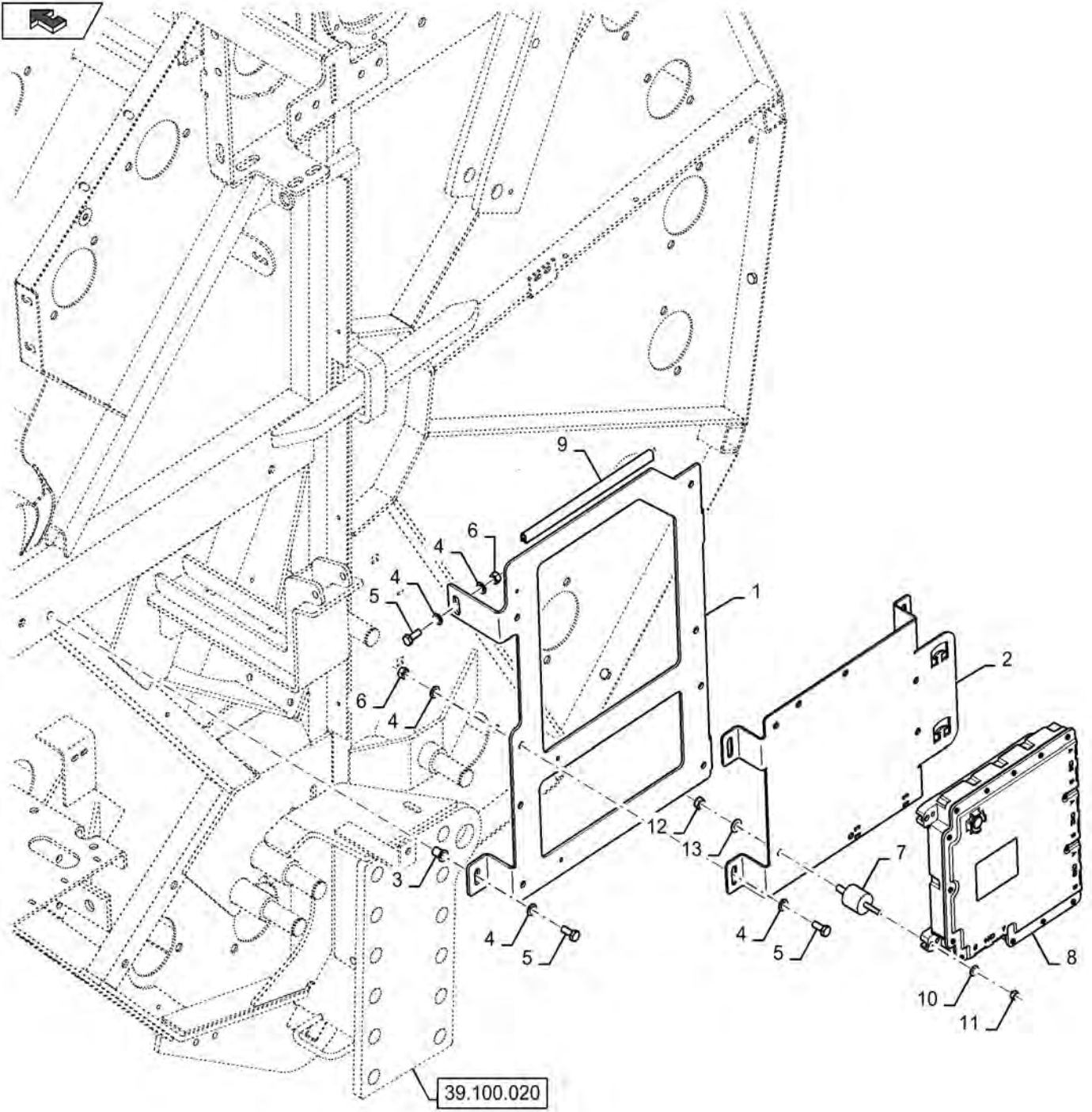


H-BRIDGE AND UNIFIED COMMUNICATIONS MODULE (UCM)

REF FN	PART NUMBER	YR/SN	QTY DESCRIPTION
1	47703949		1 PLATE
2	47703990		1 MOUNTING PLATE
3	47447328		2 THREADED INSERT
4	86624184		14 WASHER 9mm ID x 16mm OD x 1.6mm Thk
5	120104		8 BOLT Hex, M8 x 1.25 x 20mm, CI 8.8
6	437013		6 NUT
7	47604670		8 DAMPER
8	47385274		1 MODULE
9	47398072		1 MODULE
10	291186		1 PROTECTION STRIP 9.9mm W L=0.25M
11	87023168		3 CLAMP 44.4mm, Coat, 7.1mm Bolt Hole, P Type
12	322357		8 BELLEVILLE WASHER M6 Bolt Size x 14mm OD x 1.3mm Thk
13	322358		8 BELLEVILLE WASHER M8 Bolt Size x 18mm OD x 1.4mm Thk
14	9824259		6 WASHER 6.4mm ID x 12mm OD x 1.6mm Thk
15	120100		3 BOLT M6 x 20mm, CI 8.8
16	9706755		11 NUT M6, CI 8
17	9706690		8 NUT M8 x 1.25, CI 8

Orkel GP 1270 Kombi/ Orkel GP 1270S

H-BRIDGE AND UNIFIED COMMUNICATIONS MODULE (UCM)



H-BRIDGE AND UNIFIED COMMUNICATIONS MODULE (UCM)

REF FN	PART NUMBER	YR/SN	QTY DESCRIPTION
1	47703949		1 PLATE
2	47703990		1 MOUNTING PLATE
3	47447328		2 THREADED INSERT
4	86624184		14 WASHER 9mm ID x 16mm OD x 1.6mm Thk
5	120104		8 BOLT Hex, M8 x 1.25 x 20mm, CI 8.8
6	437013		6 NUT
7	47604670		4 DAMPER
8	47385274		1 MODULE
9	291186		1 PROTECTION STRIP 9.9mm W L=0.25M
10	322357		4 BELLEVILLE WASHER M6 Bolt Size x 14mm OD x 1.3mm Thk
11	9706755		4 NUT M6, CI 8
12	9706690		4 NUT M8 x 1.25, CI 8
13	322358		4 BELLEVILLE WASHER M8 Bolt Size x 18mm OD x 1.4mm Thk

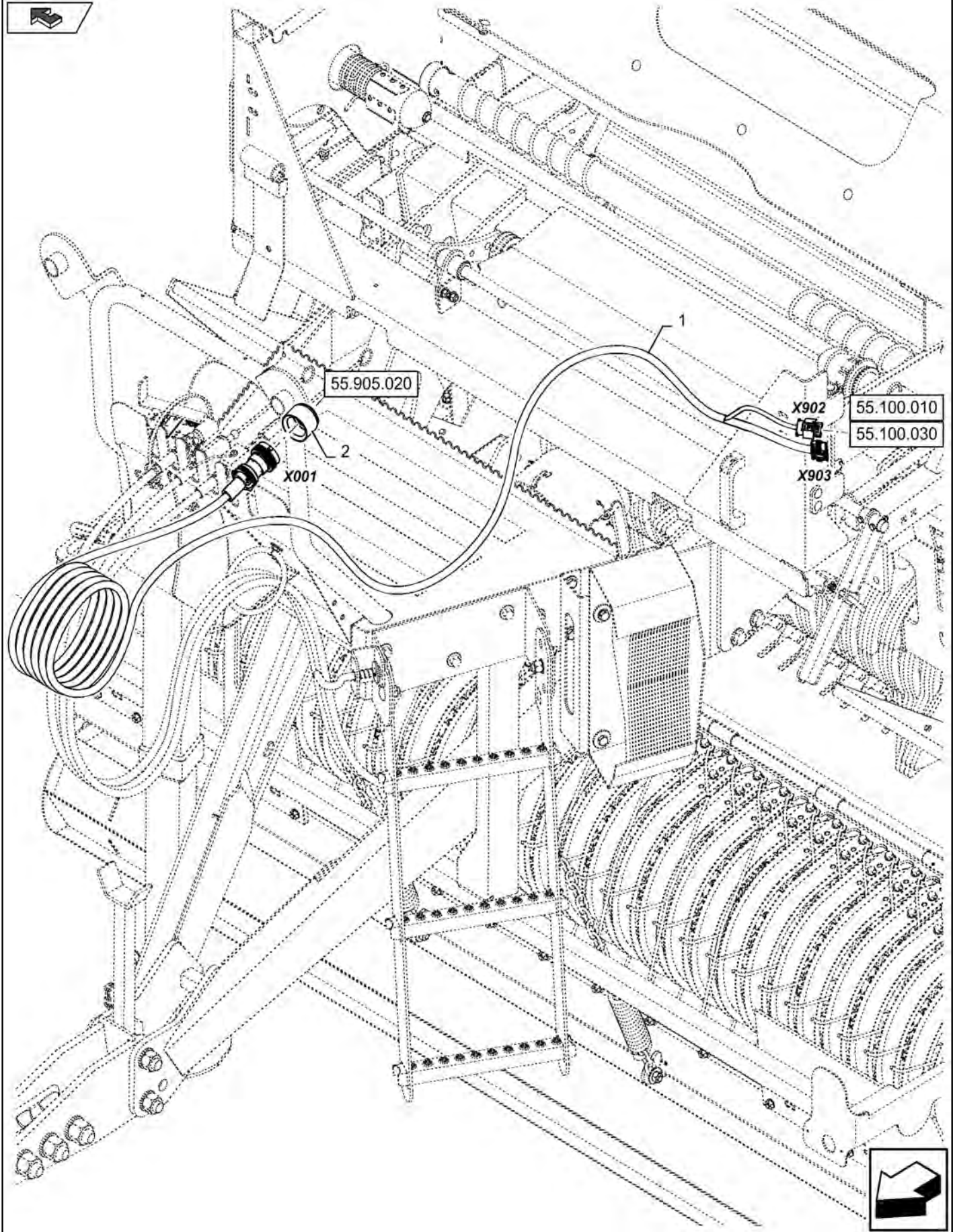
Orkel GP 1270 Kombi/ Orkel GP 1270S

55.905.010

p1

4/2017

ISOBUS BALER CABLE HARNESS



55.905.010

p1

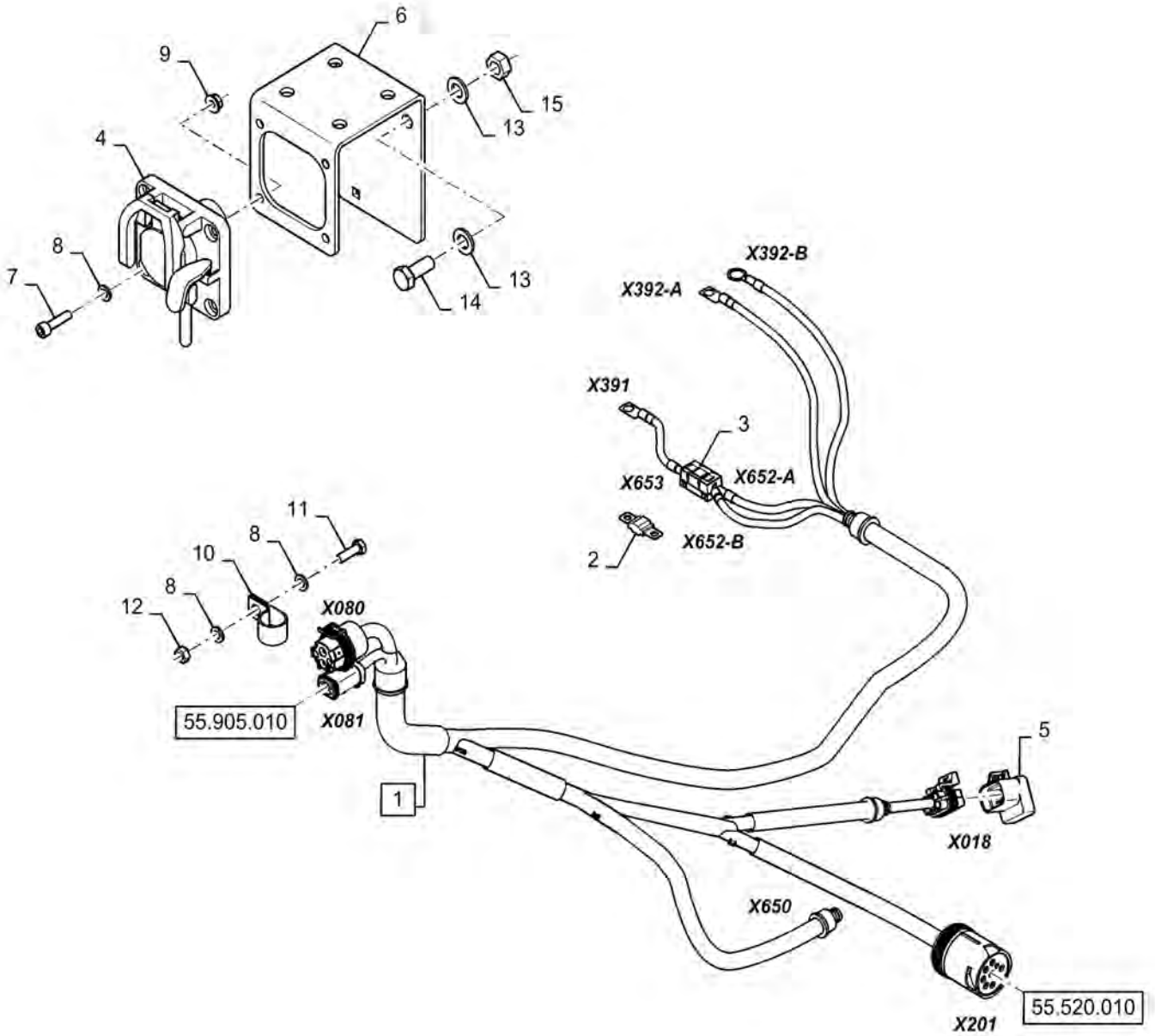
4/2017

ISOBUS BALER CABLE HARNESS

REF FN	PART NUMBER	YR/SN	QTY DESCRIPTION
1	47913359		1 WIRE HARNESS L=3.35M
2	87105683		1 CAP

Orkel GP 1270 Kombi/ Orkel GP 1270S

ISOBUS TRACTOR CABLE HARNESS



ISOBUS TRACTOR CABLE HARNESS

REF FN	PART NUMBER	YR/SN	QTY DESCRIPTION
1	47752681		1 WIRE HARNESS Incl 2 - 3
2	84078783		1 FUSE 80A, Midival
3	84078784		1 FUSE HOLDER
4	87522416		1 ELEC CONNECTOR Female, 5 Cavities
5	87601142		1 ELEC CONNECTOR Female, 6 Cavities
6	47754590		1 MOUNTING PLATE
7	9832203		4 HEX SOC SCREW M6 x 25mm, CI 8.8, Full Thd
8	86588450		6 WASHER 6.6mm ID x 12mm OD x 1.6mm Thk
9	86619800		4 FLANGE NUT M6 x 1, CI 8
10	9706732		1 CLAMP 19mm ID, 8.7mm Bolt Hole, P Type
11	120100		1 BOLT M6 x 20mm, CI 8.8
12	9706755		1 NUT M6, CI 8
13	86624176		4 WASHER 11mm ID x 20mm OD x 2mm Thk
14	43139		2 BOLT M10 x 1.5 x 25mm, CI 8.8
15	100016		2 NUT M10 x 1.5, CI 8

Orkel GP 1270 Kombi/ Orkel GP 1270S

SECTION INDEX

PRODUCT FEEDING

60.000.00	01	SECTION INDEX - PRODUCT FEEDING
60.220.010		ROTOR CUTTER FRAME
60.220.020		ROTOR CUTTER DROP FLOOR
60.220.030		ROTOR CUTTER KNIVES
60.220.040		ROTOR CUTTER AUGER, LH
60.220.050		ROTOR CUTTER AUGER, RH
60.220.060		ROTOR CUTTER
60.220.070		ROTOR CUTTER LOWER GEAR
60.220.080		ROTOR CUTTER UPPER GEAR
60.220.090		ROTOR CUTTER AUGER DRIVE, RH
60.220.100		ROTOR CUTTER AUGER DRIVE, LH
60.220.110		DISCHARGE CLUTCH
60.220.120		PICK-UP REEL
60.220.130		PICK-UP REEL DRIVE
60.220.140		PICK-UP FRAME
60.220.150		PICK-UP WINDGUARD
60.220.160		PICK-UP DRIVE CLUTCH, FOR HEAVY DUTY ONLY
60.220.170		PICK-UP FIXED CARRIAGE
60.220.180		PICK-UP SWING CARRIAGE
60.220.190		PICK-UP WHEELS
60.220.200		ROTOR CUTTER BLANK KNIVES
60.220.210		ROTOR CUTTER BLANK KNIVES

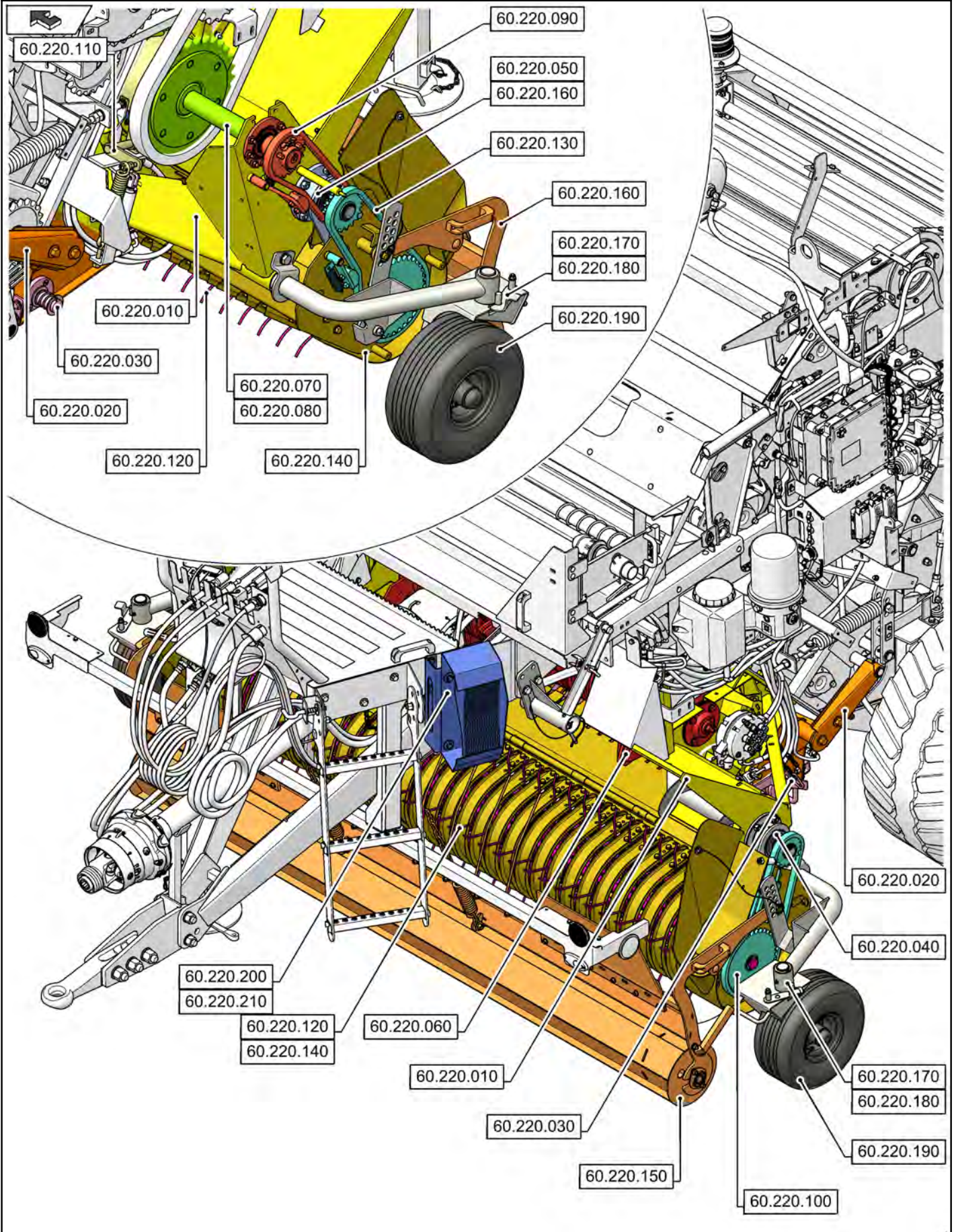
60.000.00

01

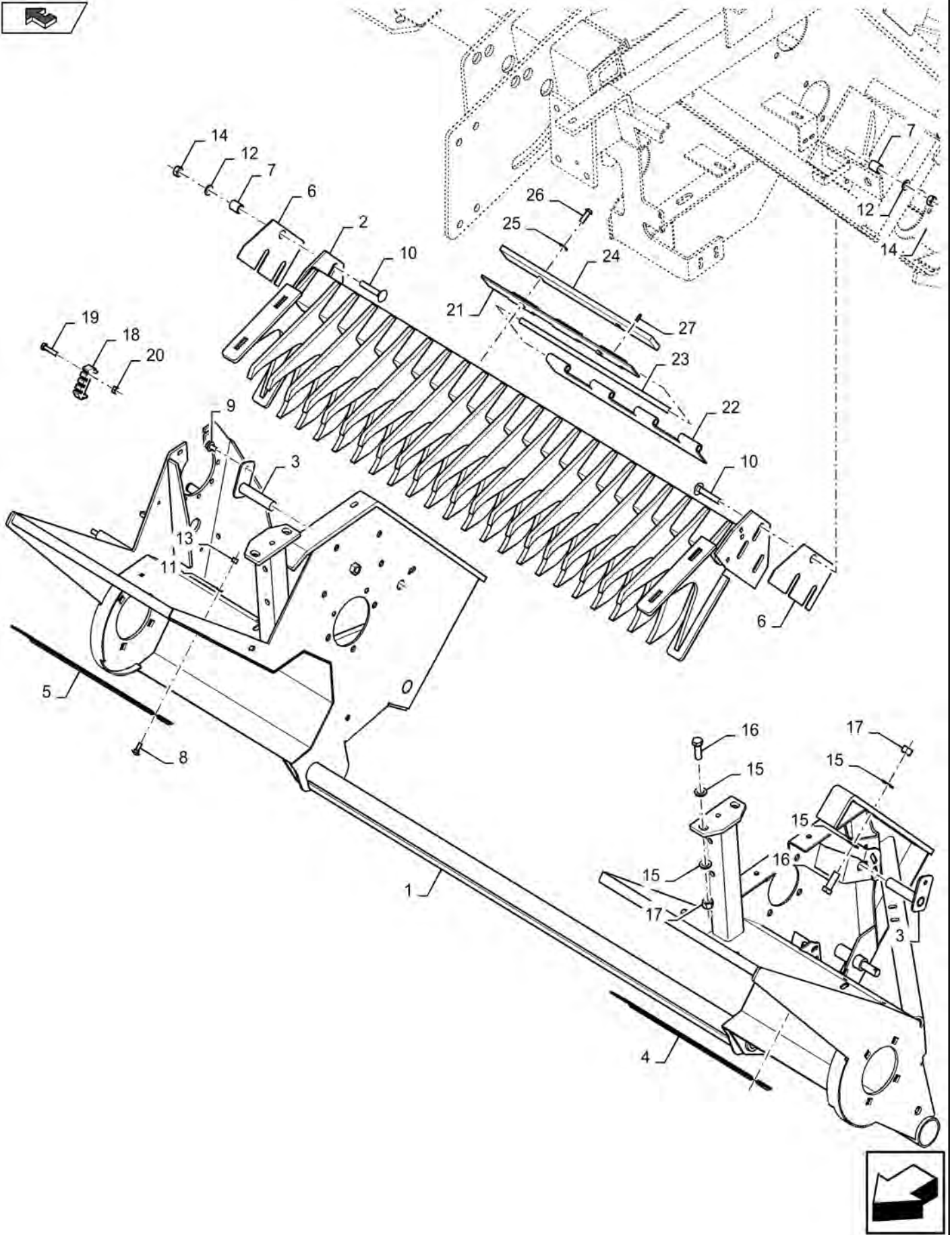
p1

4/2017

SECTION INDEX - PRODUCT FEEDING



ROTOR CUTTER FRAME



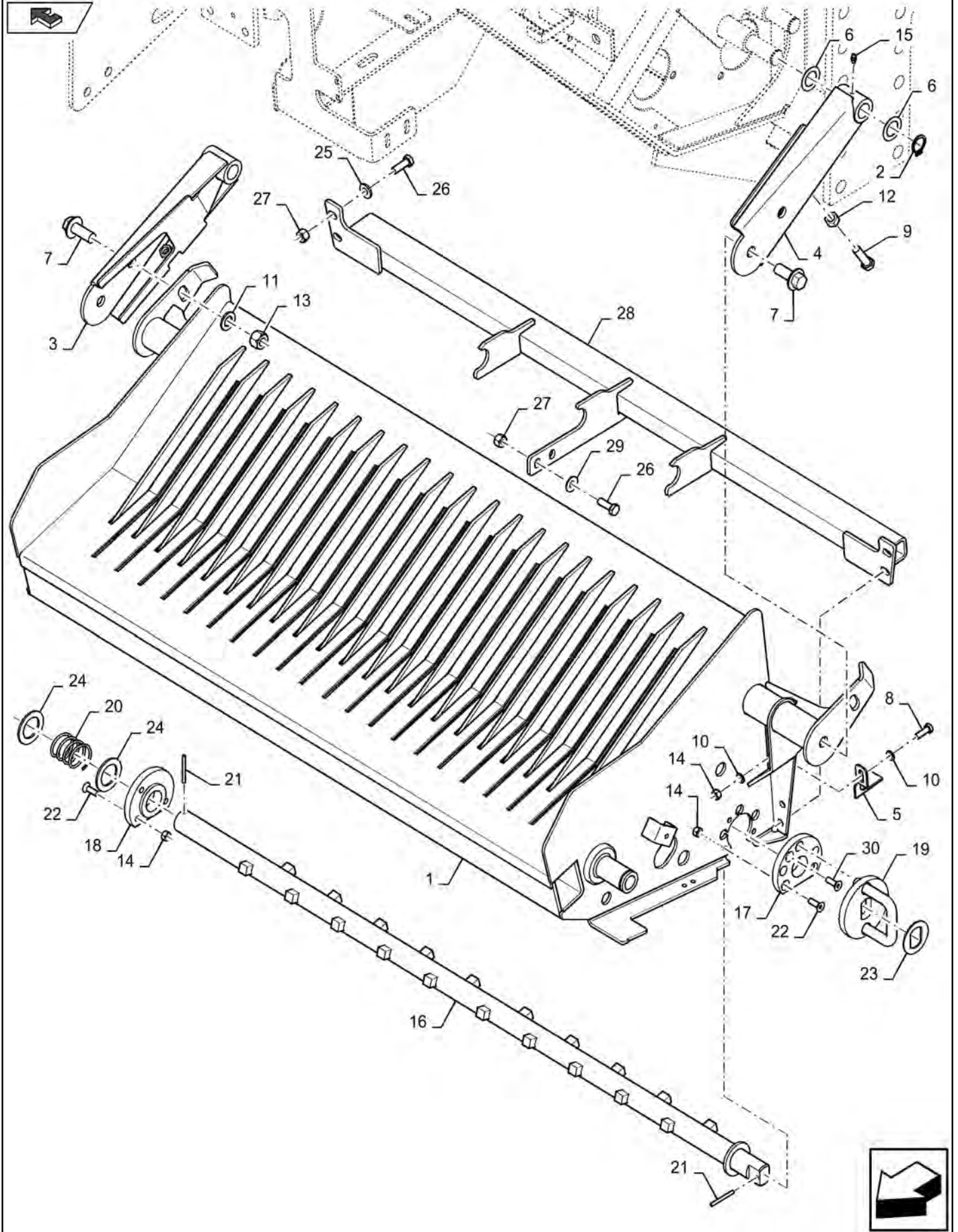
ROTOR CUTTER FRAME

REF FN	PART NUMBER	YR/SN	QTY DESCRIPTION
1	47636575		1 FRAME
2	47857975		1 SCRAPER
3	47642278		2 PIN
4	47682234		1 PLATE
5	47682227		1 PLATE
6	47445957		4 PLATE
7	47445958		6 TUBE
8	86512418		4 CARRIAGE BOLT Sq Nk, M6 x 20mm, Cl 8.8, Full Thd
9	86511841		2 BOLT Flng, M8 x 1.25 x 16mm, Full Thd, Cl 8.8
10	43475		6 CARRIAGE BOLT Sq Nk, M10 x 1.5 x 60mm, Cl 8.8
11	9824259		4 WASHER 6.4mm ID x 12mm OD x 1.6mm Thk
12	86511323		6 WASHER 10.5mm ID x 20mm OD x 2mm Thk
13	393392		4 LOCK NUT Prev Torque, M6 x 1, Cl 8
14	84100524		6 NUT M10 x 1.5, Cl 8
15	86511324		24 WASHER 13mm ID x 24mm OD x 2.5mm Thk
16	300389		12 BOLT M12 x 1.75 x 35mm, Cl 8.8
17	84278115		12 NUT
18	52367		2 HOLDER
19	800956		8 BOLT
20	86629544		8 NUT 5/16" – 18, GR B
21	1 47932091		1 HINGE
22	1 47858165		1 HINGE
23	1 47857181		1 SHAFT
24	1 47932071		1 PLATE
25	1 322358		2 BELLEVILLE WASHER M8 Bolt Size x 18mm OD x 1.4mm Thk
26	1 87028323		2 HEX SOC SCREW Btn Head, M8 x 1.25 x 25mm, Cl 8.8
27	1 84012756		1 LOCK PIN M4 x 16, Slotted

(1) FOR GP 1270 KOMBI ONLY

Orkel GP 1270 Kombi/ Orkel GP 1270S

ROTOR CUTTER DROP FLOOR

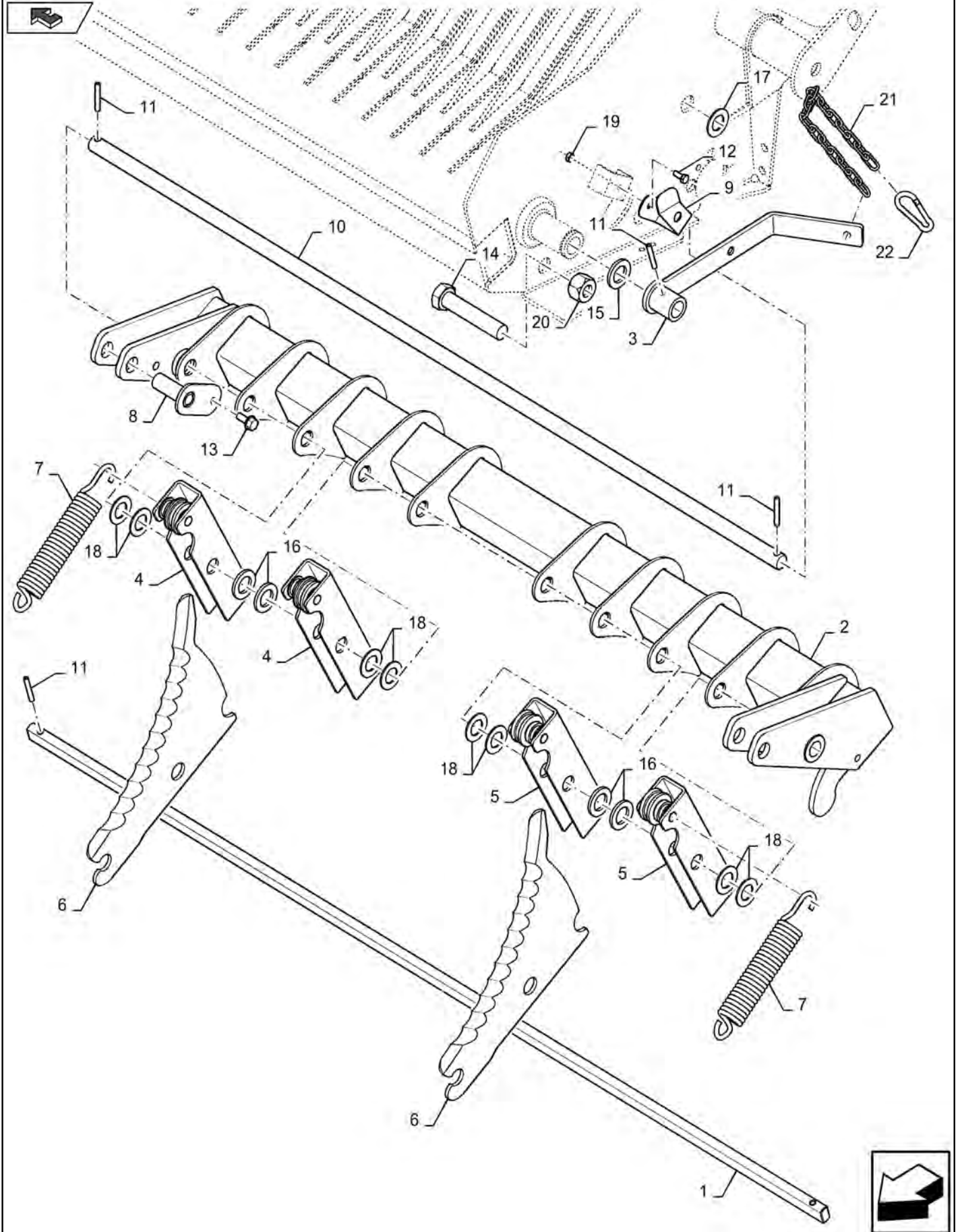


ROTOR CUTTER DROP FLOOR

REF FN	PART NUMBER	YR/SN	QTY DESCRIPTION
1	47642316		1 FLOOR
2	84168348		2 SNAP RING M25
3	47843829		1 SUPPORT
4	47642342		1 SUPPORT
5	47890060		1 BRACKET
6	47468356		4 SHIM 25mm ID x 40mm OD x 1mm Thk
7	9804271		4 BOLT Hex, M16 x 40mm, CI 8.8, Full Thd
8	43127		1 BOLT Hex, M8 x 1.25 x 25mm, CI 8.8
9	9628065		2 SCREW Hex, M12 x 1.75 x 45mm, CI 8.8
10	86624184		2 WASHER 9mm ID x 16mm OD x 1.6mm Thk
11	86511326		2 WASHER 17mm ID x 30mm OD x 3mm Thk
12	9706685		2 NUT M12 x 1.75, CI 8
13	146988		2 LOCK NUT M16 x 2, CI 8
14	437013		7 NUT
15	321204		2 LUBE NIPPLE M6 x 1.0 x 16mm OAL
16	47870455		1 TUBE
17	47723189		1 PLATE
18	47723191		1 PLATE
19	47723195		1 PLATE
20	47723197		1 SPRING
21	84024216		2 LOCK PIN 5mm OD x 50mm L, Slotted
22	14442221		5 SCREW Flat Csk Hd, M8 x 1.25 x 30mm, CI 8.8
23	47723187		1 PLATE
24	47723198		2 WASHER
25	86639325		4 WASHER 10.8mm ID x 24.5mm OD x 3mm Thk
26	43140		6 BOLT Hex, M10 x 1.5 x 30mm, CI 8.8
27	412141		6 NUT M10 x 1.5, CI 8
28	47915913		1 FRAME
29	12646801		2 WASHER 10.2mm ID x 25mm OD x 2mm Thk
30	73170208		1 HEX SOC SCREW Flat Hd, M8 x 25mm, CI 8.8

Orkel GP 1270 Kombi/ Orkel GP 1270S

ROTOR CUTTER KNIVES

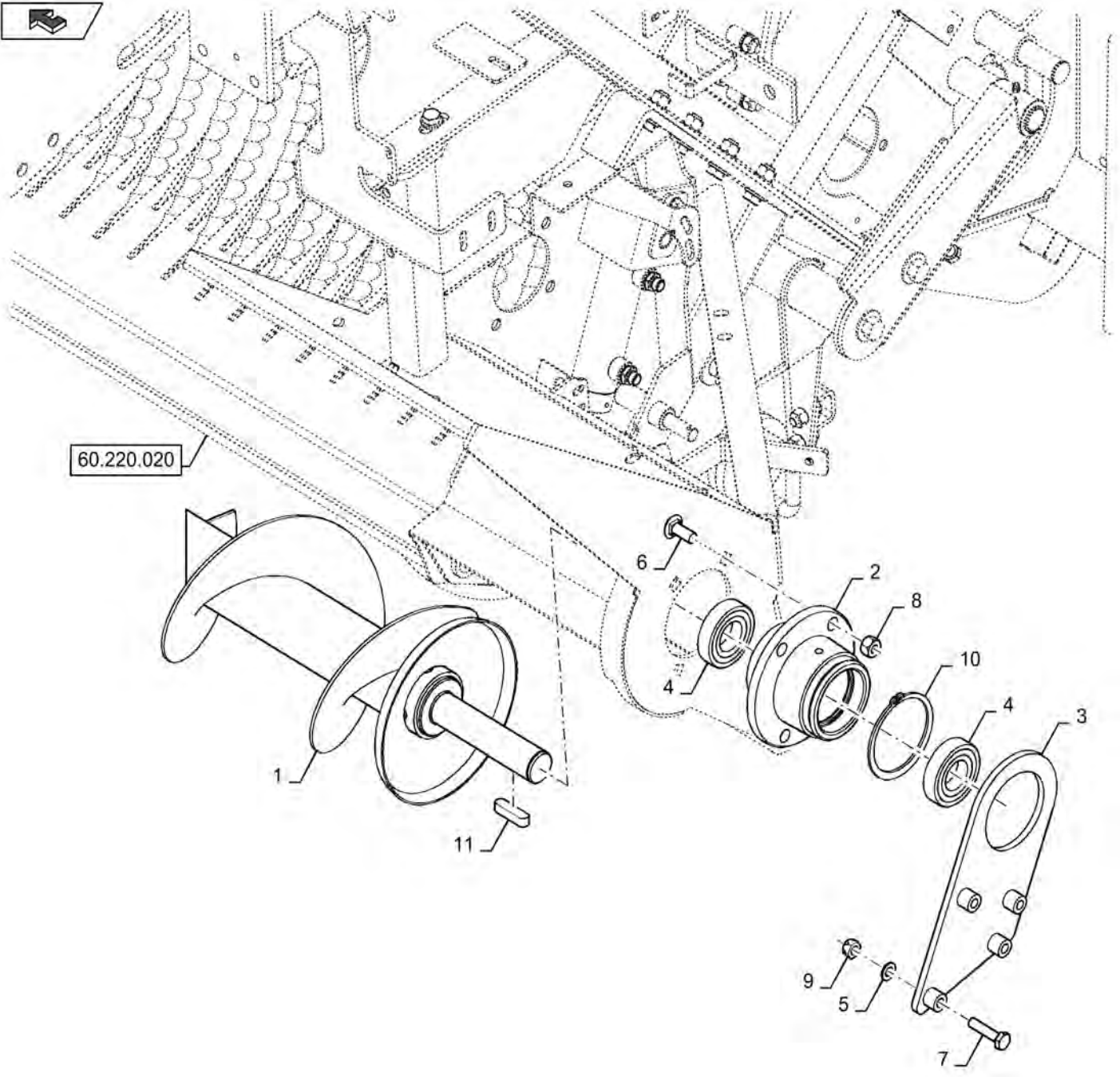


ROTOR CUTTER KNIVES

REF FN	PART NUMBER	YR/SN	QTY DESCRIPTION
1	47641351		1 AXLE
2	47916342		1 SUSPENSION
3	47642252		1 ARM
4	47716074		10 SUPPORT
5	47716076		10 SUPPORT
6	47723465		20 KNIFE
6	48096348		20 KNIFE
7	47723468		20 SPRING
8	47719769		2 PIN
9	47652399		1 PLATE
10	47719754		1 SHAFT
11	300869		4 LOCK PIN 6mm OD x 40mm L, Slotted
12	86508568		1 BOLT Hex, M6 x 1 x 16mm, CI 8.8
13	9804258		2 BOLT Hex, M8 x 1.25 x 20mm, CI 8.8
14	395528		2 BOLT Hex, M20 x 2.5 x 100mm, CI 8.8
15	10520501		4 WASHER 23mm ID x 38mm OD x 4mm Thk
16	86511327		26 WASHER 21mm ID x 37mm OD x 3mm Thk
17	86639847		2 WASHER 21.8mm ID x 44.5mm OD x 5mm Thk
18	47885879		20 WASHER
19	412152		1 NUT M6 x 1, CI 8.8
20	82020635		2 NUT Prevailing Torque, M20 x 2.5 x 20mm, CI8
21	47445245		1 CHAIN
22	47497812		1 HOOK

Orkel GP 1270 Kombi/ Orkel GP 1270S

ROTOR CUTTER AUGER, LH



ROTOR CUTTER AUGER, LH

REF FN	PART NUMBER	YR/SN	QTY DESCRIPTION
1	47683534		1 AUGER
2	47684670		1 BEARING HOUSING
3	47686048		1 RETAINER
4	84438926		2 BALL BEARING 35mm ID x 72mm OD x 17mm W
5	86511323		4 WASHER 10.5mm ID x 20mm OD x 2mm Thk
6	120044		4 CARRIAGE BOLT M12 x 1.75 x 30mm, CI 8.8
7	86508618		4 BOLT Hex, M10 x 1.5 x 45mm, CI 10.9
8	84278115		4 NUT
9	86512554		4 NUT M10 x 1.5, CI 10
10	300639		1 SNAP RING M90, Ext
11	47484283		1 SQUARE KEY 10mm x 8mm x 36mm

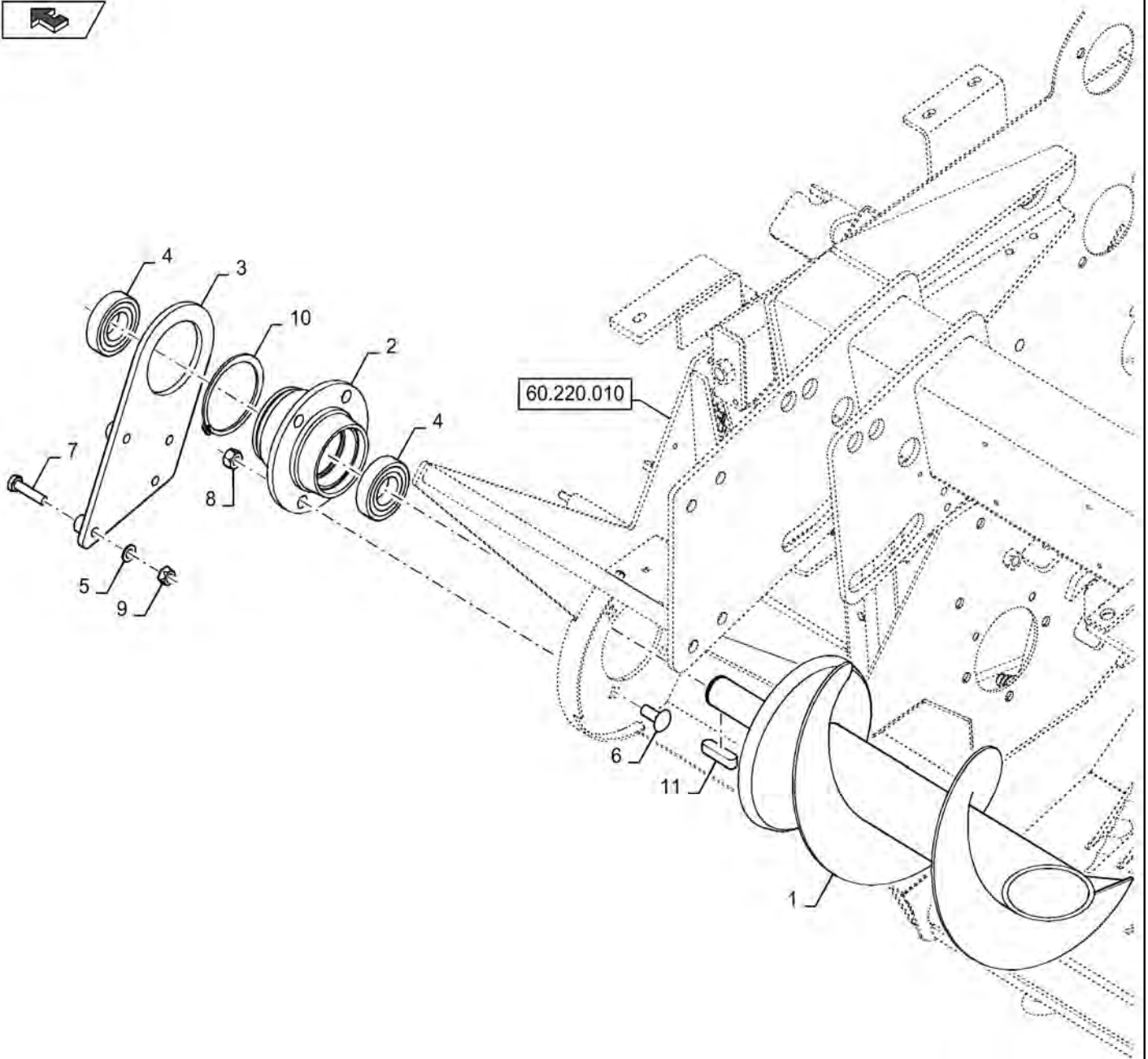
Orkel GP 1270 Kombi/ Orkel GP 1270S

60.220.050

p1

4/2017

ROTOR CUTTER AUGER, RH

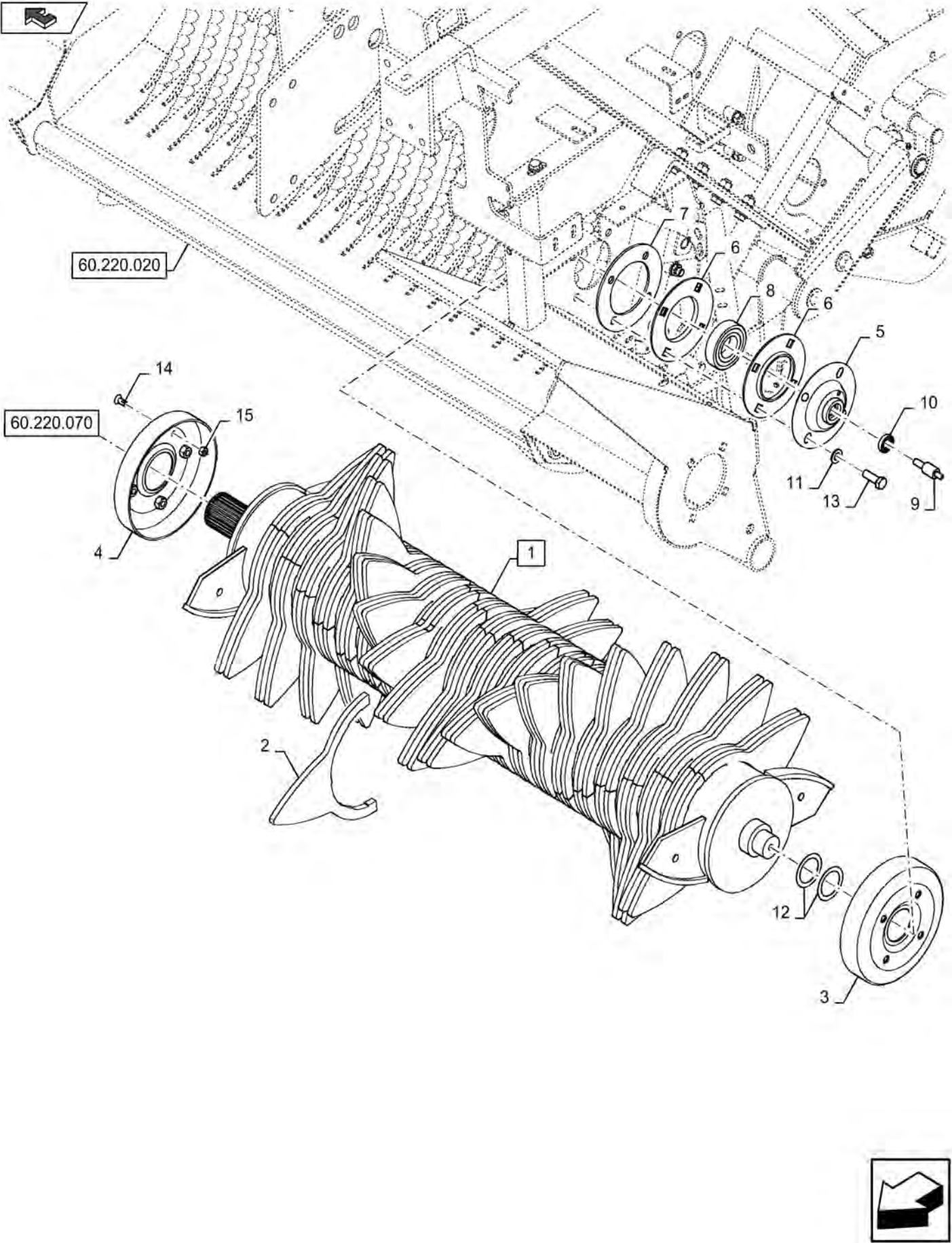


ROTOR CUTTER AUGER, RH

REF FN	PART NUMBER	YR/SN	QTY DESCRIPTION
1	47683592		1 AUGER
2	47684670		1 BEARING HOUSING
3	47686042		1 RETAINER
4	84438926		2 BALL BEARING 35mm ID x 72mm OD x 17mm W
5	86511323		4 WASHER 10.5mm ID x 20mm OD x 2mm Thk
6	120044		4 CARRIAGE BOLT M12 x 1.75 x 30mm, CI 8.8
7	86508618		4 BOLT Hex, M10 x 1.5 x 45mm, CI 10.9
8	84278115		4 NUT
9	86512554		4 NUT M10 x 1.5, CI 10
10	300639		1 SNAP RING M90, Ext
11	47484288		1 KEY 10mm x 8mm x 45mm

Orkel GP 1270 Kombi/ Orkel GP 1270S

ROTOR CUTTER

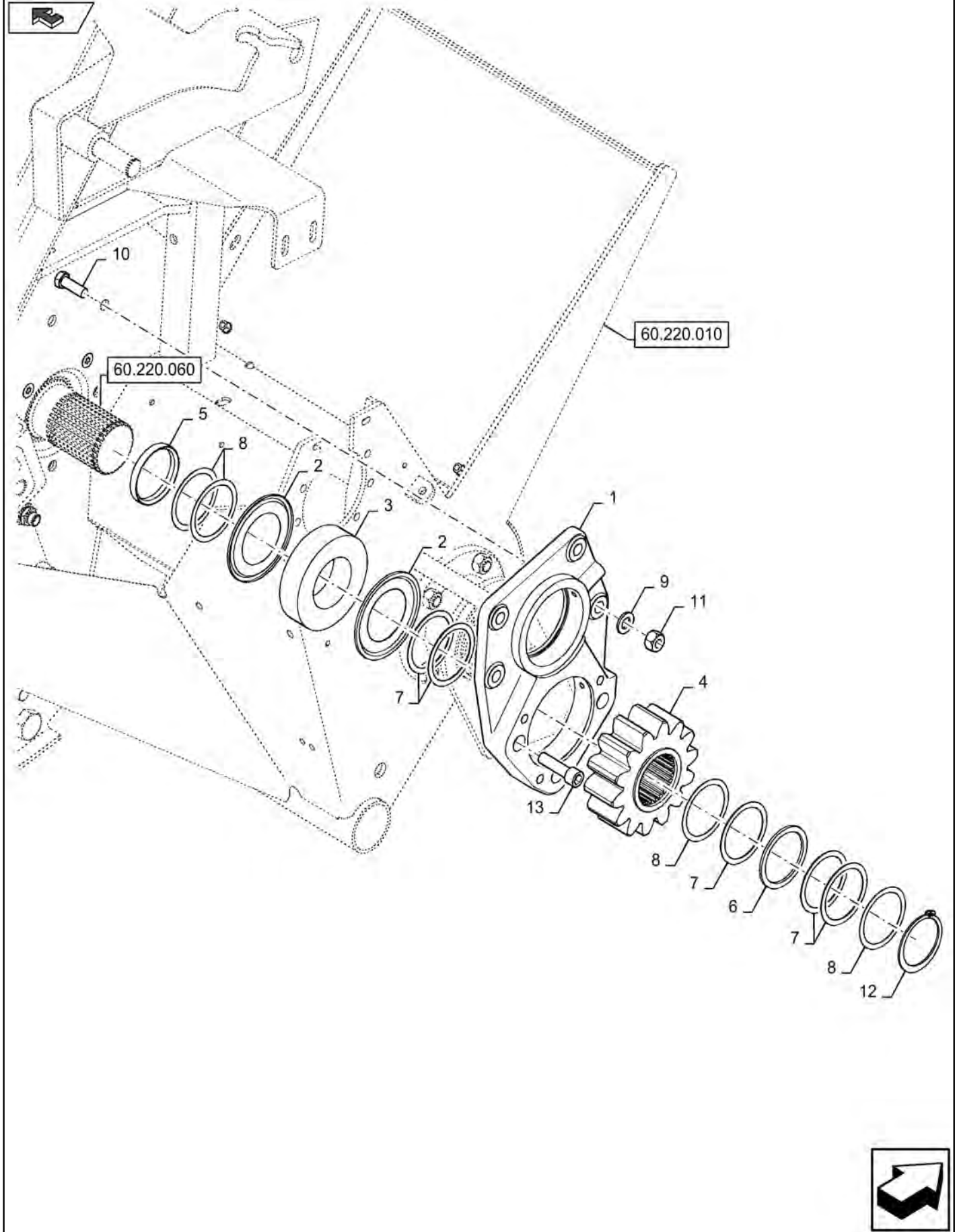


ROTOR CUTTER

REF FN	PART NUMBER	YR/SN	QTY DESCRIPTION
1	47917511		1 ROTOR Incl 2
2	1 47445670		80 PLATE
3	47445671		1 ANTI-WRAP PLATE
4	47445682		1 ANTI-WRAP PLATE
5	47842908		1 BRACKET
6	47445677		2 BEARING CUP
7	47445675		1 SHIM
8	47445678		1 BALL BEARING
9	47842911		1 SHAFT
10	905835R1		1 OIL SEAL 20mm ID x 30mm OD x 7mm Thk
11	86511324		4 WASHER 13mm ID x 24mm OD x 2.5mm Thk
12	47885875		4 WASHER
13	300389		4 BOLT M12 x 1.75 x 35mm, Cl 8.8
14	87613338		2 HEX SOC SCREW CSS, M8 x 1.25 x 20mm, Cl 8.8
15	437013		2 NUT
(1)	MAINTENANCE PART		

Orkel GP 1270 Kombi/ Orkel GP 1270S

ROTOR CUTTER LOWER GEAR

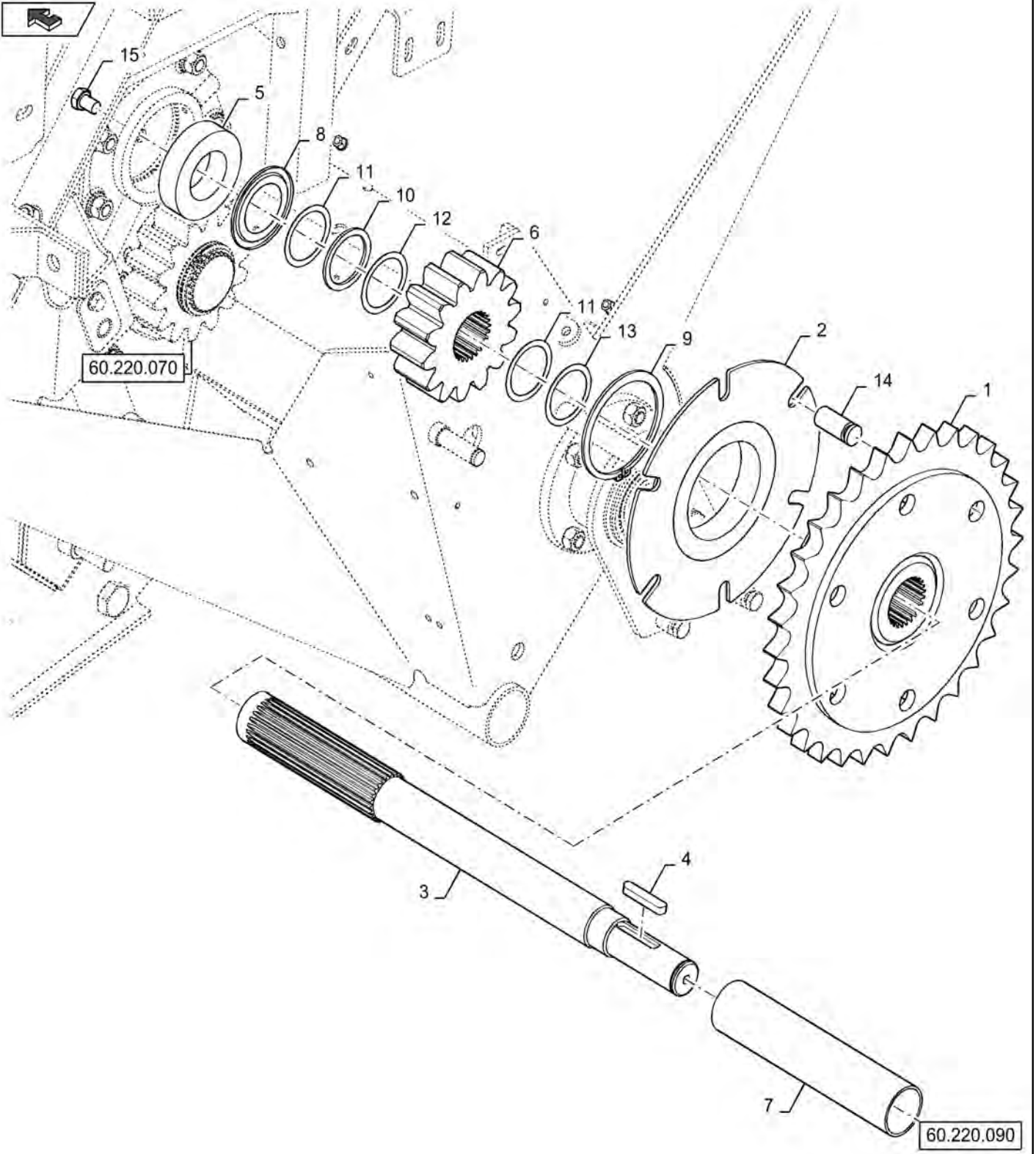


ROTOR CUTTER LOWER GEAR

REF FN	PART NUMBER	YR/SN	QTY DESCRIPTION
1	47480406		1 BEARING HOUSING
2	47445690		2 RING
3	47445693		1 ROLLER
4	47445702		1 GEAR
5	47445688		1 SPACER
6	47450464		1 WASHER
7	47450463		5 WASHER
8	47450462		4 WASHER
9	86511324		4 WASHER 13mm ID x 24mm OD x 2.5mm Thk
10	300389		4 BOLT M12 x 1.75 x 35mm, Cl 8.8
11	84278115		4 NUT
12	370027		1 SNAP RING M60, Ext
13	14422321		3 HEX SOC SCREW M12 x 45mm, Cl 8.8, Full Thd

Orkel GP 1270 Kombi/ Orkel GP 1270S

ROTOR CUTTER UPPER GEAR



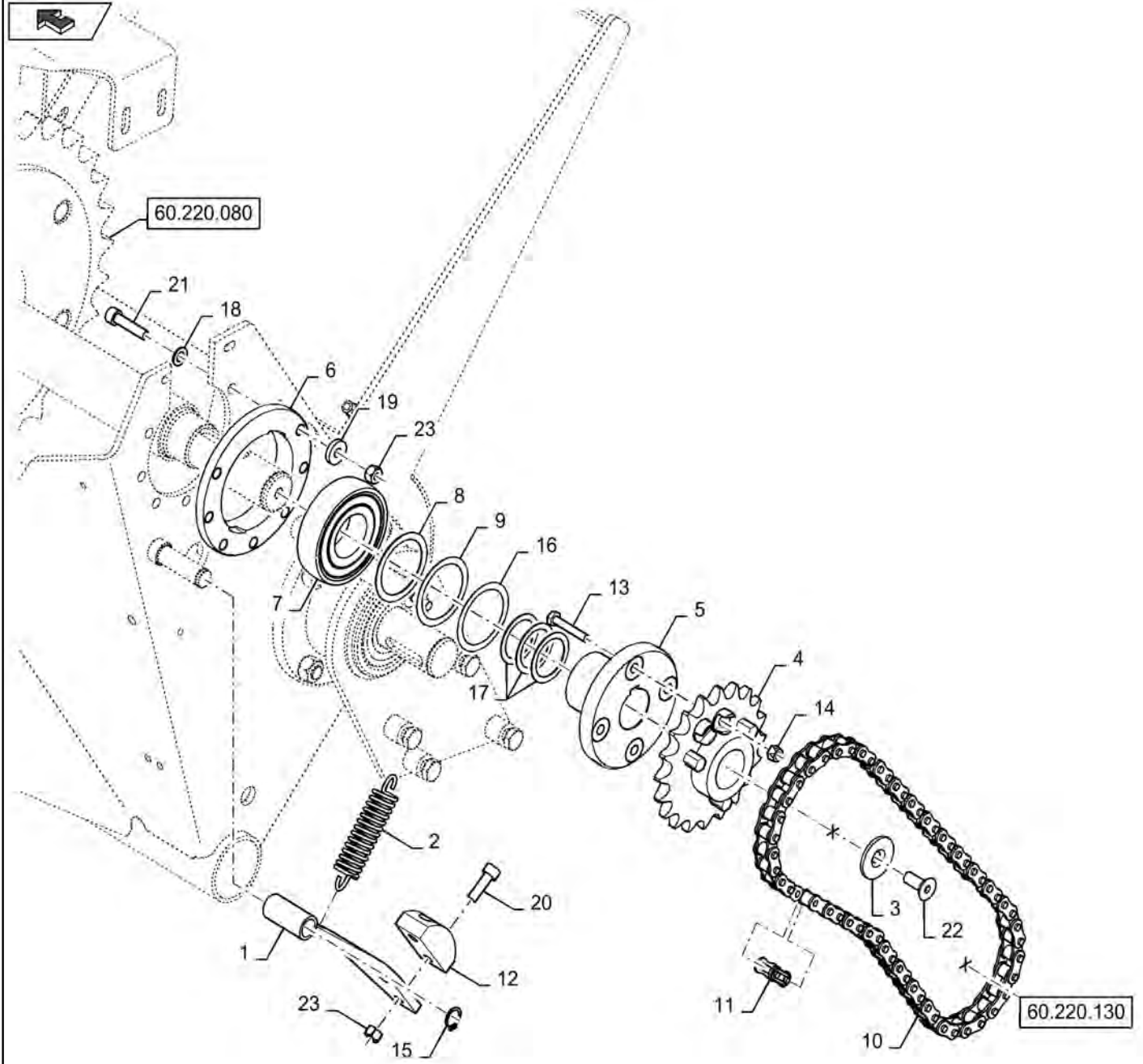
ROTOR CUTTER UPPER GEAR

REF FN	PART NUMBER	YR/SN	QTY DESCRIPTION
1	1 47481460		1 SPROCKET
1	47870450		1 SPROCKET
2	1 47481461		1 BUSHING
3	47686883		1 SHAFT
4	47445976		1 KEY
5	47445716		1 BEARING, ROLLER, CYL
6	47445733		1 SPROCKET
7	47686898		1 TUBE
8	47445723		1 RING
9	370010		1 SNAP RING M100, External
10	47450457		3 WASHER
11	47450465		4 WASHER
12	47450467		2 WASHER
13	47445001		2 WASHER
14	1 47481457		6 DOWEL
15	388113		1 BOLT Hex, M12 x 1.75 x 16mm, Cl 8.8, Full Thd

(1) FOR DISCHARGE CLUTCH ONLY

Orkel GP 1270 Kombi/ Orkel GP 1270S

ROTOR CUTTER AUGER DRIVE, RH

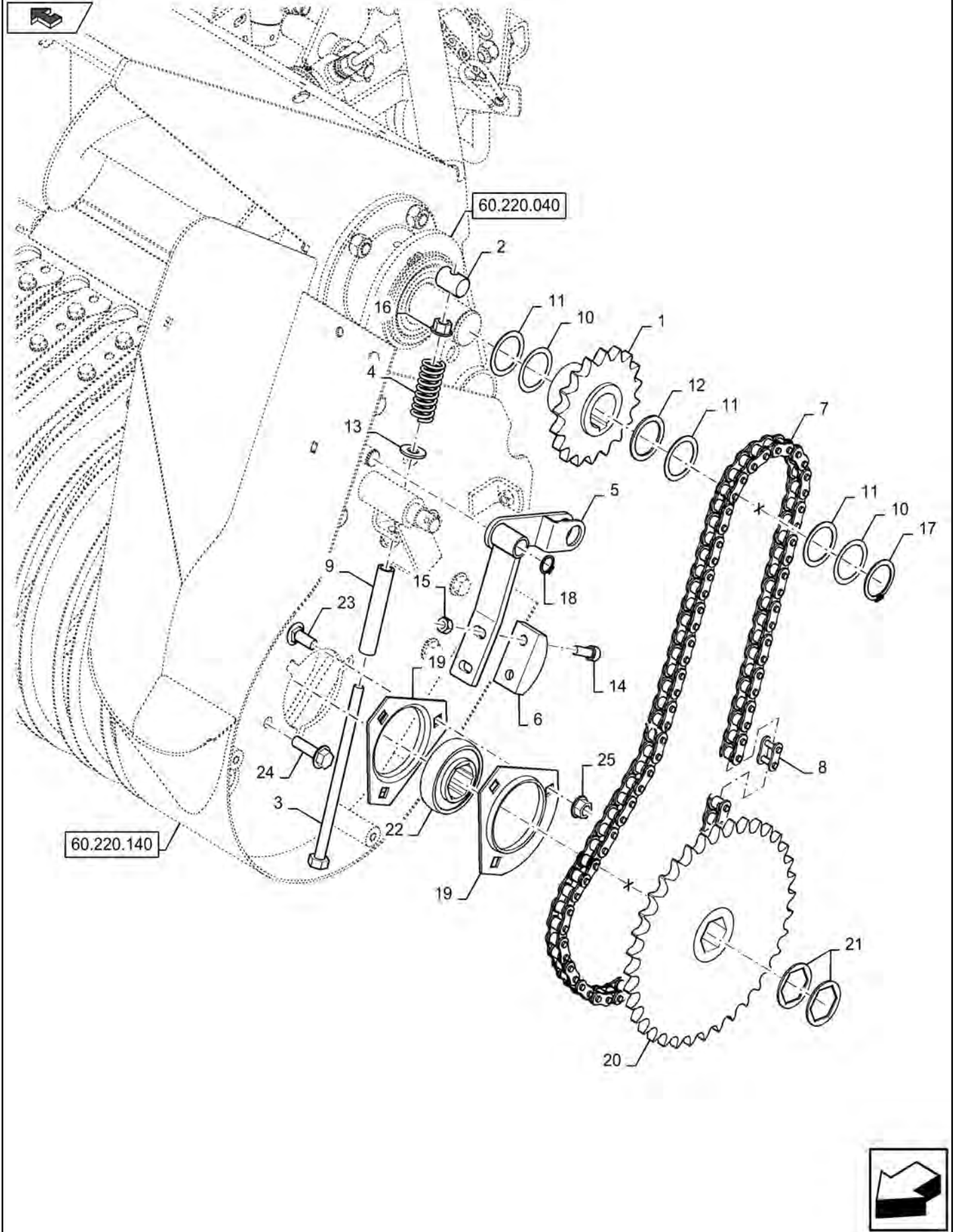


ROTOR CUTTER AUGER DRIVE, RH

REF FN	PART NUMBER	YR/SN	QTY DESCRIPTION
1	47481458		1 TENSIONER
2	5119832		1 SPRING Cylindrical, 32mm OD x 88mm L
3	47855715		1 DISC
4	47855712		1 SPROCKET
5	47855709		1 HUB
6	47481551		1 HOUSING
7	47445796		1 BALL BEARING
8	47480313		1 SHIM
9	47480316		1 SHIM
10	47481462		1 CHAIN
11	47480493		1 CHAIN LINK
12	47445590		1 PLATE
13	800956		1 BOLT
14	86629544		1 NUT 5/16" - 18, GR B
15	11066476		1 SNAP RING M16, Ext
16	442203		3 WASHER 41mm ID x 50mm OD x 0.91mm Thk
17	47450458		6 WASHER
18	86624184		7 WASHER 9mm ID x 16mm OD x 1.6mm Thk
19	86592711		7 WASHER 8.4mm ID x 21mm OD x 4mm Thk
20	86625220		2 HEX SOC SCREW M8 x 25mm, Cl 8.8
21	14306621		7 HEX SOC SCREW M8 x 35mm, Cl 8.8, Full Thd
22	14442621		1 SCREW Flat Csk Hd, M10 x 1.25 x 25mm, Cl 8.8
23	437013		9 NUT

Orkel GP 1270 Kombi/ Orkel GP 1270S

ROTOR CUTTER AUGER DRIVE, LH



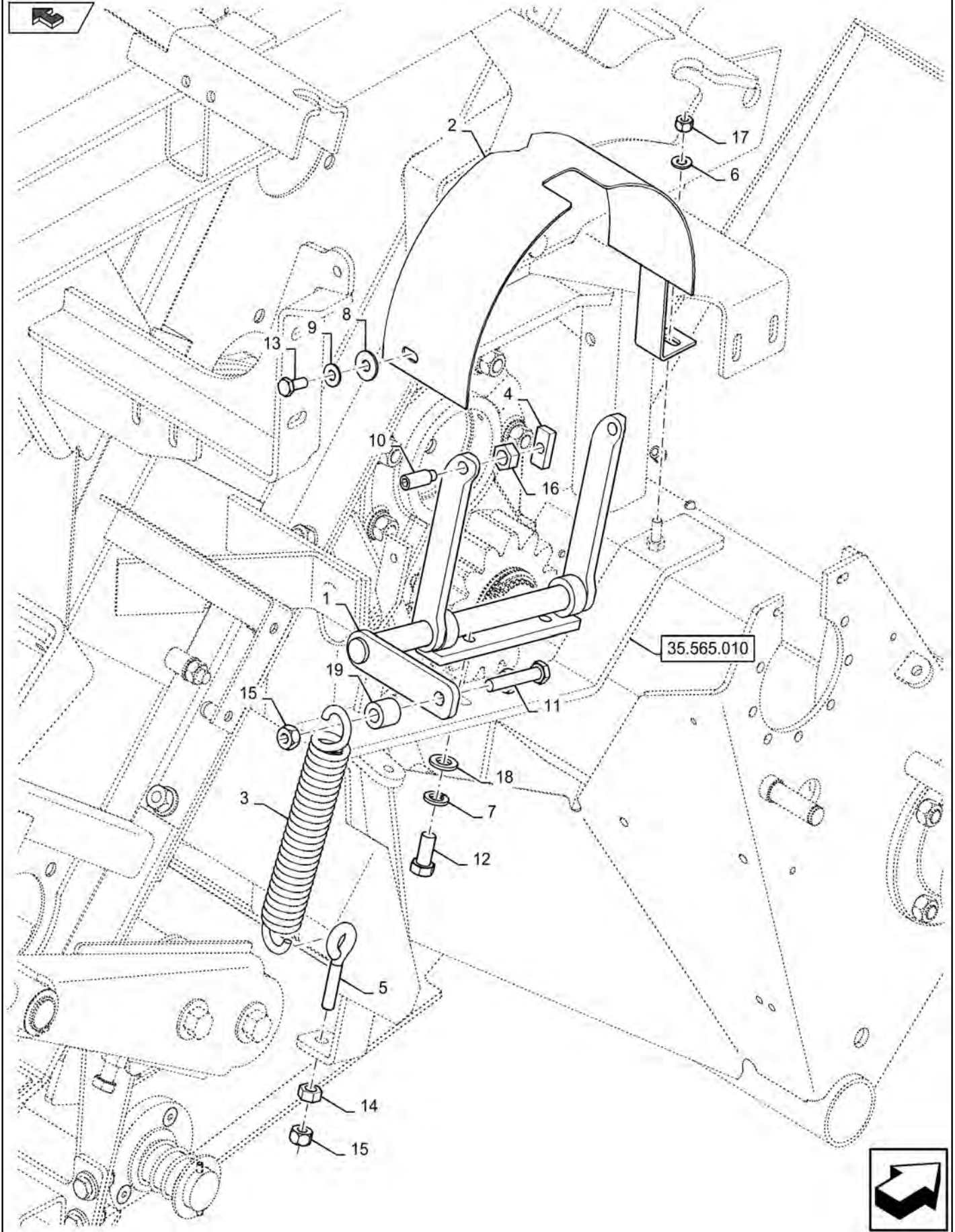
ROTOR CUTTER AUGER DRIVE, LH

REF FN	PART NUMBER	YR/SN	QTY DESCRIPTION
1	1 47685984		1 SPROCKET
2	47692139		1 PIN
3	47691640		1 ROD
4	86628837		1 SPRING Compression, 23mm OD x 57.15mm L
5	47691680		1 TENSIONER
6	1 47445590		1 PLATE
7	1 47445972		1 CHAIN
8	1 47480493		1 CHAIN LINK
9	87525881		1 TUBE
10	47450460		2 WASHER
11	47450458		9 WASHER
12	87644291		2 WASHER 35mm ID x 45mm OD x 2mm Thk
13	86625253		1 WASHER 11mm ID x 24mm OD x 2mm Thk
14	1 86625220		2 HEX SOC SCREW M8 x 25mm, CI 8.8
15	1 437013		2 NUT
16	9804278		1 FLANGE NUT M10 x 1.5, CI 8
17	370004		1 SNAP RING M35 x 1.5mm Thk, External
18	11066476		1 SNAP RING M16, Ext
19	86620026		2 FLANGED BEARING
20	1 47686114		1 SPROCKET
21	47431597		2 SPACER Hex, 33mm ID x 45mm OD x 1.98mm Thk
22	84324246		1 SPHERICAL BEARING 31.75mm ID x 72mm OD x 25mm Thk
23	86633356		1 CARRIAGE BOLT M10 x 34.8mm, CI 8.8
24	86511845		3 BOLT M10 x 44.2mm OAL, CI 8.8, Full Thd
25	9804278		1 FLANGE NUT M10 x 1.5, CI 8

(1) MAINTENANCE PART

Orkel GP 1270 Kombi/ Orkel GP 1270S

DISCHARGE CLUTCH

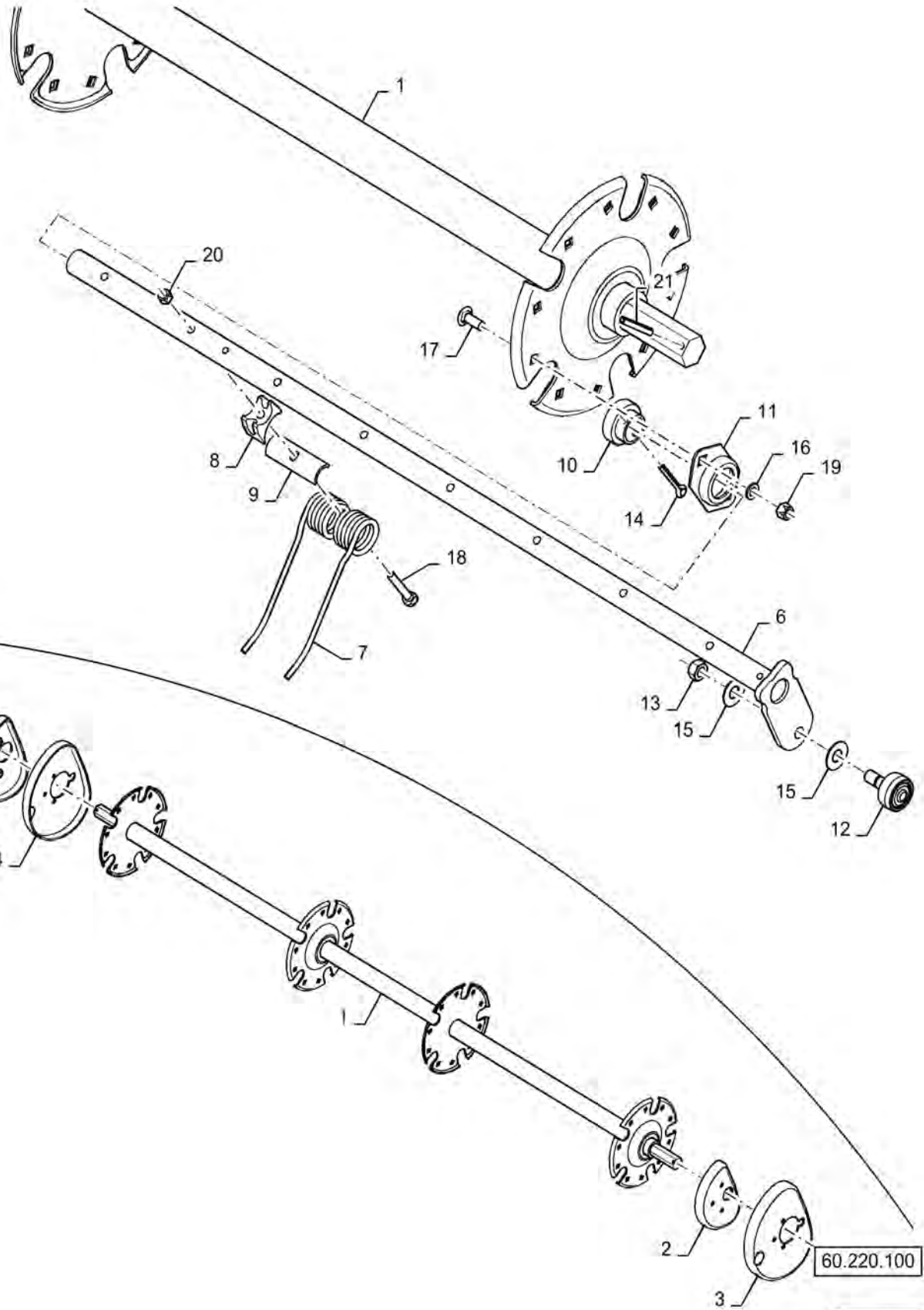


DISCHARGE CLUTCH

REF FN	PART NUMBER	YR/SN	QTY DESCRIPTION
1	47898739		1 SUPPORT
2	48017330		1 BRACKET
3	47480487		1 SPRING
4	47490481		2 PLATE
5	47479137		1 EYEBOLT
6	14496501		1 WASHER 8.4mm ID x 17mm OD x 1.6mm Thk
7	412123		2 LOCK WASHER 13.1mm ID x 21.1mm OD x 2.55mm Thk
8	86639313		1 WASHER 9mm ID x 24mm OD x 2mm Thk
9	322358		1 BELLEVILLE WASHER M8 Bolt Size x 18mm OD x 1.4mm Thk
10	47501578		2 SET SCREW
11	120071		1 BOLT Hex, M10 x 65, 8.8
12	300388		2 BOLT Hex, M12 x 1.75 x 25mm, CI 8.8
13	120103		1 BOLT M8 x 1.25 x 16mm, CI 8.8
14	100016		1 NUT M10 x 1.5, CI 8
15	84100524		2 NUT M10 x 1.5, CI 8
16	9706685		2 NUT M12 x 1.75, CI 8
17	437013		1 NUT
18	86511324		2 WASHER 13mm ID x 24mm OD x 2.5mm Thk
19	87585960		1 SPACER 11mm ID x 22mm OD x 22mm L

Orkel GP 1270 Kombi/ Orkel GP 1270S

PICK-UP REEL



60.220.130

60.220.100

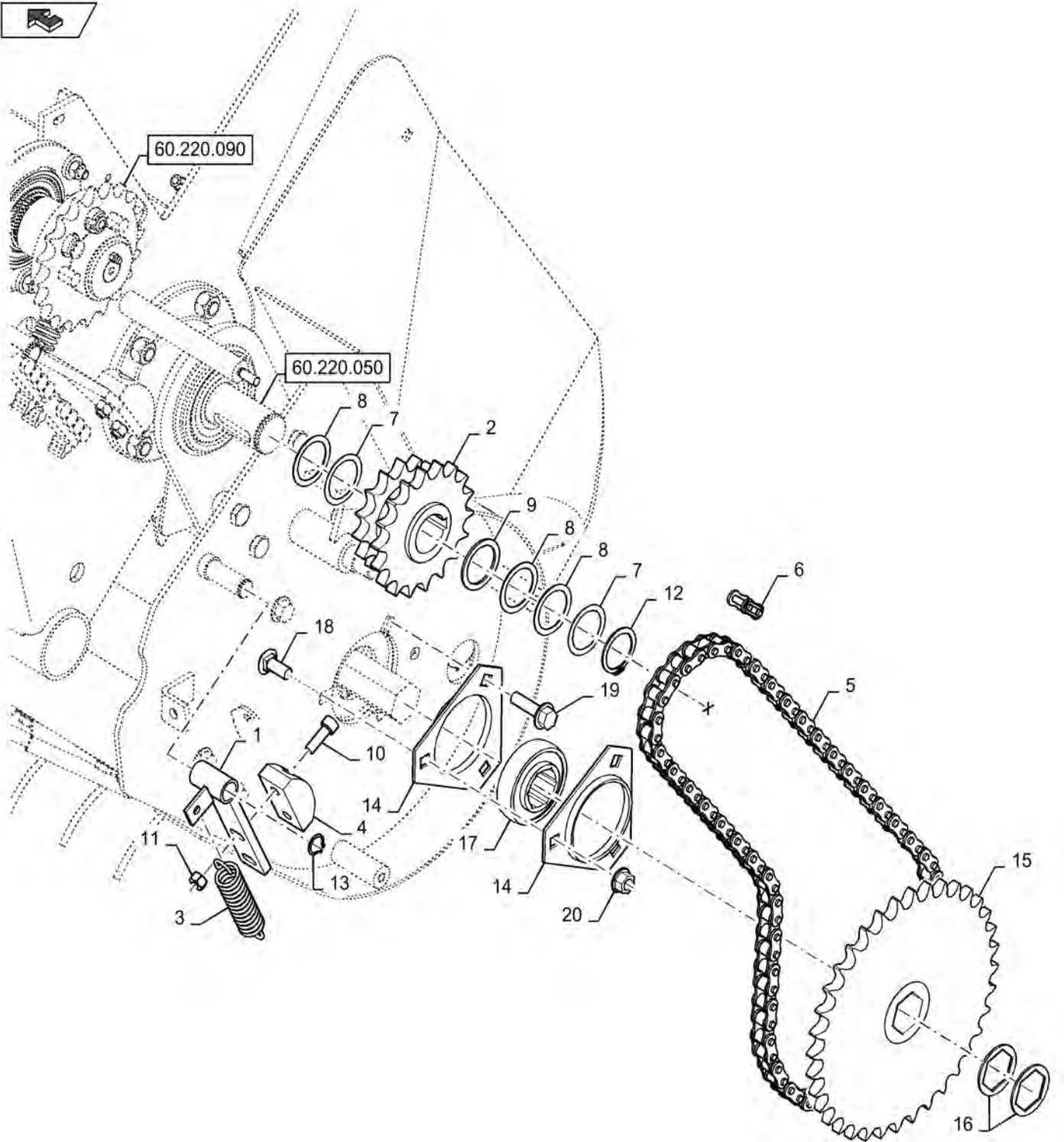


PICK-UP REEL

REF FN	PART NUMBER	YR/SN	QTY DESCRIPTION
1	84405631		1 REEL
2	84327846		1 CAM
3	84291845		1 CAM
4	84327847		1 CAM
5	84291843		1 CAM
6	84405642		5 TINE BAR LH
6	84405638		5 TINE BAR RH
7	1 84467073		80 TORSION SPRING Coiled, 2 Prong, 187mm L
8	1 84382002		80 SUPPORT
9	1 134921		80 BRACKET
10	1 86641856		20 BEARING 27.1 mm ID x 47 mm OD x 25.4 mm
11	1 54695		20 BEARING HOUSING
12	1 84350126		10 CAM FOLLOWER 1/2" - 20 x 38mm OD x 54.5mm L
13	88130		10 NUT 1/2"-20, GC
14	1 136521		20 COTTER PIN 5.7mm OD x 44.45mm L
15	84420719		20 WASHER 13.08mm ID x 31.8mm OD x 1.5mm Thk
16	80680		40 LOCK WASHER 3/8 0.381 CST ZND
17	80280503		40 CARRIAGE BOLT Sht Sq Nk, 3/8" - 16 x 1", Gr 5, Full Thd
18	1 535866		80 SCREW
19	9637692		40 NUT 3/8"-16, GB
20	1 86629542		80 NUT M8 x 1.25, CI 8.8
21	47432155		2 COILED PIN 7/32" OD x 1-3/4" L
(1)	MAINTENANCE PART		

Orkel GP 1270 Kombi/ Orkel GP 1270S

PICK-UP REEL DRIVE

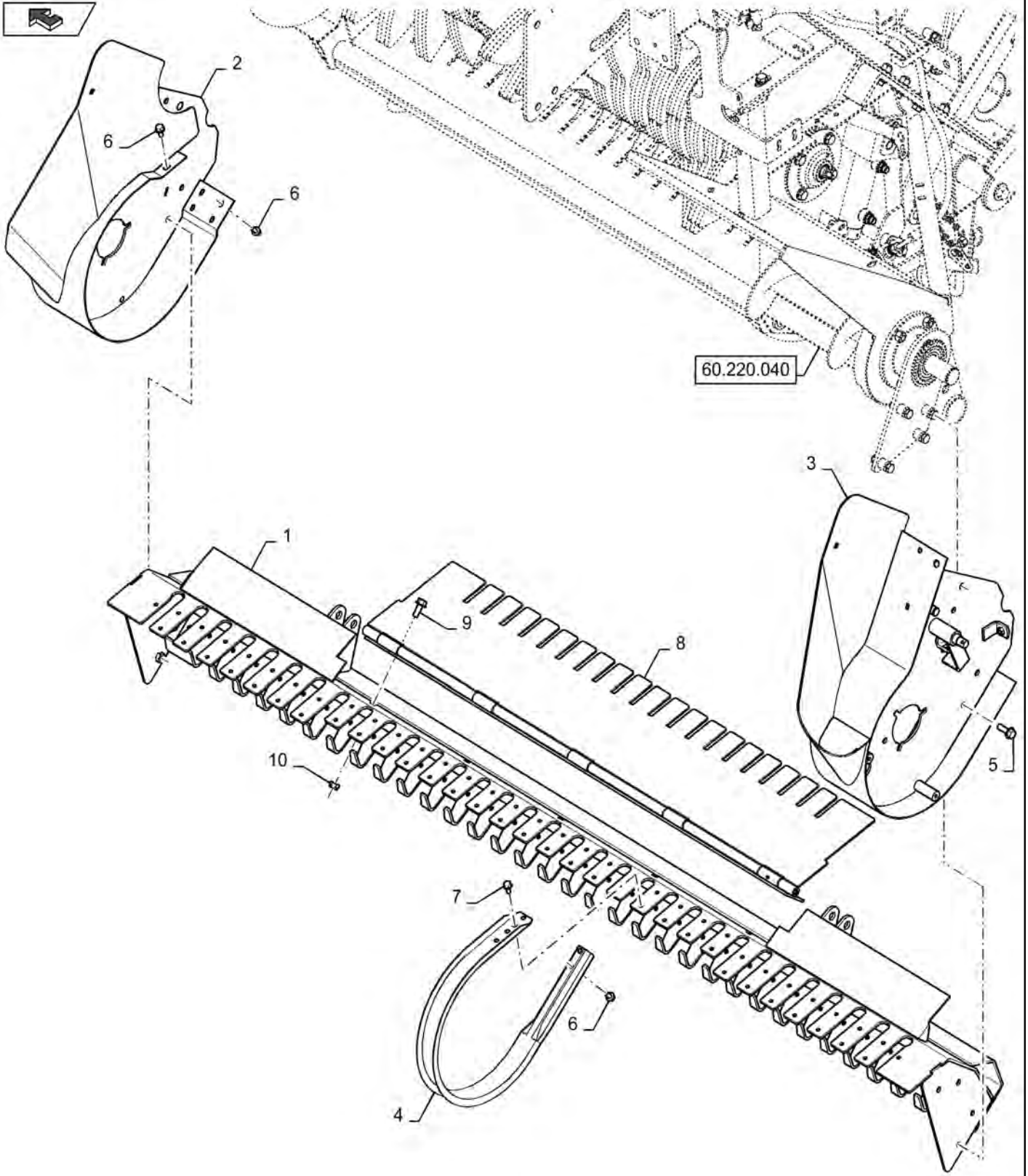


PICK-UP REEL DRIVE

REF FN	PART NUMBER	YR/SN	QTY DESCRIPTION
1	47445573		1 TENSIONER
2	1 47480395		1 SPROCKET
3	47481459		1 SPRING
4	1 47445590		1 PLATE
5	1 47445972		1 CHAIN
6	1 47480493		1 CHAIN LINK
7	47450460		2 WASHER
8	47450458		9 WASHER
9	87644291		2 WASHER 35mm ID x 45mm OD x 2mm Thk
10	1 86625220		2 HEX SOC SCREW M8 x 25mm, CI 8.8
11	1 437013		2 NUT
12	370004		1 SNAP RING M35 x 1.5mm Thk, External
13	11066476		1 SNAP RING M16, Ext
14	86620026		2 FLANGED BEARING
15	1 47686114		1 SPROCKET
16	47431597		2 SPACER Hex, 33mm ID x 45mm OD x 1.98mm Thk
17	84324246		1 SPHERICAL BEARING 31.75mm ID x 72mm OD x 25mm Thk
18	86633356		1 CARRIAGE BOLT M10 x 34.8mm, CI 8.8
19	86511845		3 BOLT M10 x 44.2mm OAL, CI 8.8, Full Thd
20	9804278		1 FLANGE NUT M10 x 1.5, CI 8
(1)	MAINTENANCE PART		

Orkel GP 1270 Kombi/ Orkel GP 1270S

PICK-UP FRAME

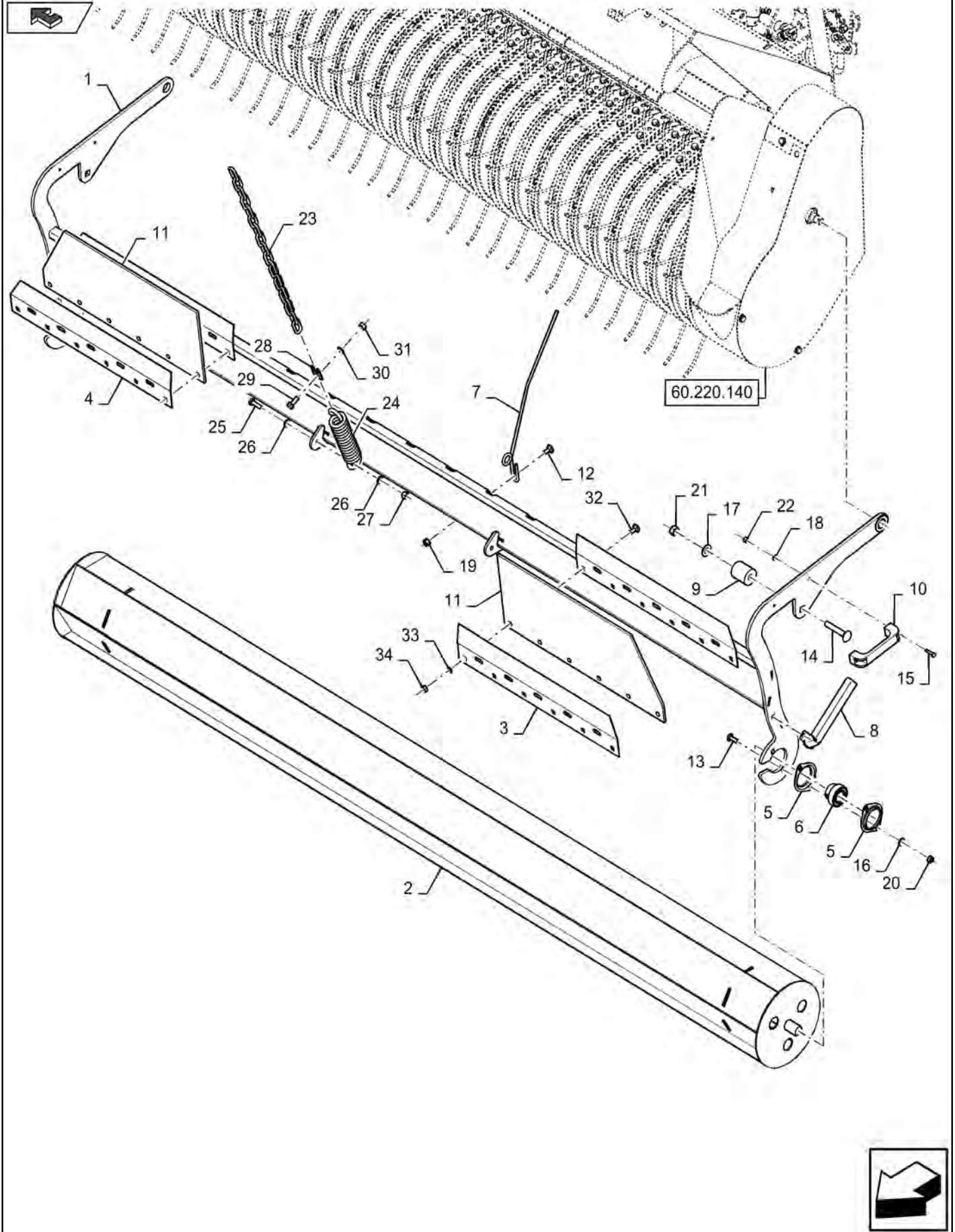


PICK-UP FRAME

REF FN	PART NUMBER	YR/SN	QTY DESCRIPTION
1	47678927		1 FRAME
2	47681459		1 SHIELD
3	47681495		1 SHIELD
4	1 84559050		31 GUARD
5	9804262		8 BOLT M10 x 39.2mm, Cl 8.8
6	1 87039762		100 SELF-TAP SCREW Hex Wash Hd, 5/16"-18 x 5/8"
7	1 87034817		34 SELF-TAP SCREW HWH, 5/16" - 18 x 3/4"
8	47652025		1 HINGE
9	9804261		5 BOLT Hex, M10 x 25mm, Cl 8.8, Full Thd
10	100037		5 LOCK NUT M10 x 1.5, Cl 8
(1)	MAINTENANCE PART		

Orkel GP 1270 Kombi/ Orkel GP 1270S

PICK-UP WINDGUARD

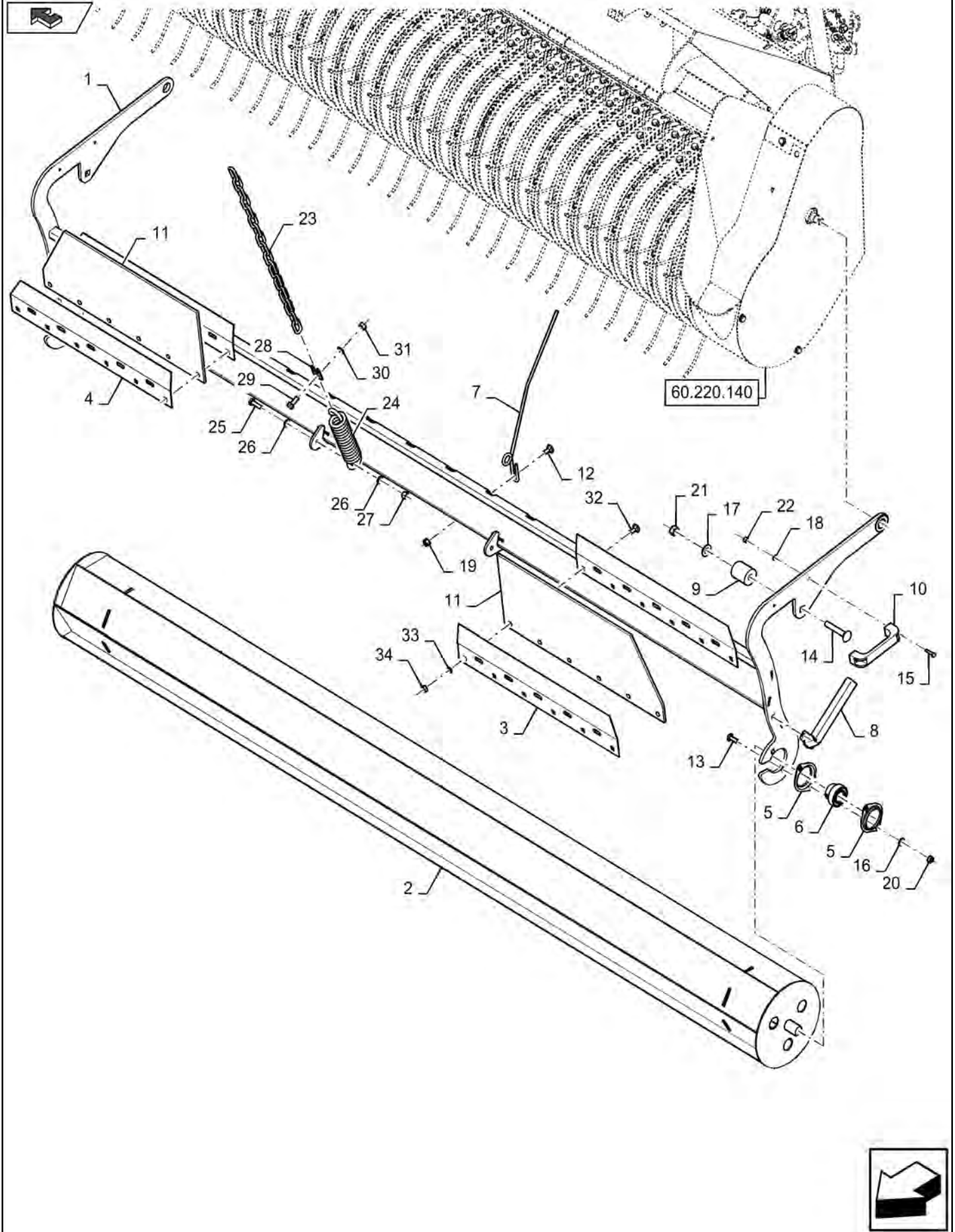


PICK-UP WINDGUARD

REF FN	PART NUMBER	YR/SN	QTY DESCRIPTION
1	47830024		1 WINDGUARD
2	47678947		1 ROLLER
3	47678949		1 BAFFLE
4	47678950		1 BAFFLE
5	86548974		4 FLANGE Bearing
6	325103		2 BALL BEARING 25mm ID x 52mm OD x 15mm W
7	47481552		7 SPRING
8	47844273		2 SUPPORT
9	395087		2 INSULATOR BLOCK
10	47440785		2 DOOR HANDLE
11	47678059		2 DEFLECTOR
12	86512420		7 CARRIAGE BOLT Rnd Head, M8 x 1.25 x 20mm, Full Thd, CI 8.8
13	308761		8 CARRIAGE BOLT M8 x 1.25 x 25mm, CI 8.8
14	338263		2 CARRIAGE BOLT Sht Sq Nk, M12 x 1.75 x 70mm, CI 8.8
15	86585710		4 SCREW Phillips Drive, Pan HD, M5 x 25mm, CI 4.8
16	322358		8 BELLEVILLE WASHER M8 Bolt Size x 18mm OD x 1.4mm Thk
17	378245		2 WASHER 13mm ID x 28.5mm OD x 2.7mm Thk
18	9824326		4 WASHER 5.3mm ID x 10mm OD x 1mm Thk
19	9804277		7 FLANGE NUT Hex, M8 x 1.25, CI 8
20	9706690		8 NUT M8 x 1.25, CI 8
21	9706685		2 NUT M12 x 1.75, CI 8
22	86639241		4 NUT Prev Torque, M5 x 0.8, CI 8
23	47814071		1 CHAIN
24	47814085		1 SPRING
25	43235		2 BOLT Hex, M8 x 1.25 x 30mm, CI 10.9, Full Thd
26	10519601		4 WASHER 8.15mm ID x 17mm OD x 2mm Thk
27	16104121		2 NUT M8 x 1.25, CI 10
28	48057967		4 SUPPORT
29	120104		4 BOLT Hex, M8 x 1.25 x 20mm, CI 8.8
30	12638501		4 WASHER 8.15mm ID x 15mm OD x 1.5mm Thk

Orkel GP 1270 Kombi/ Orkel GP 1270S

PICK-UP WINDGUARD

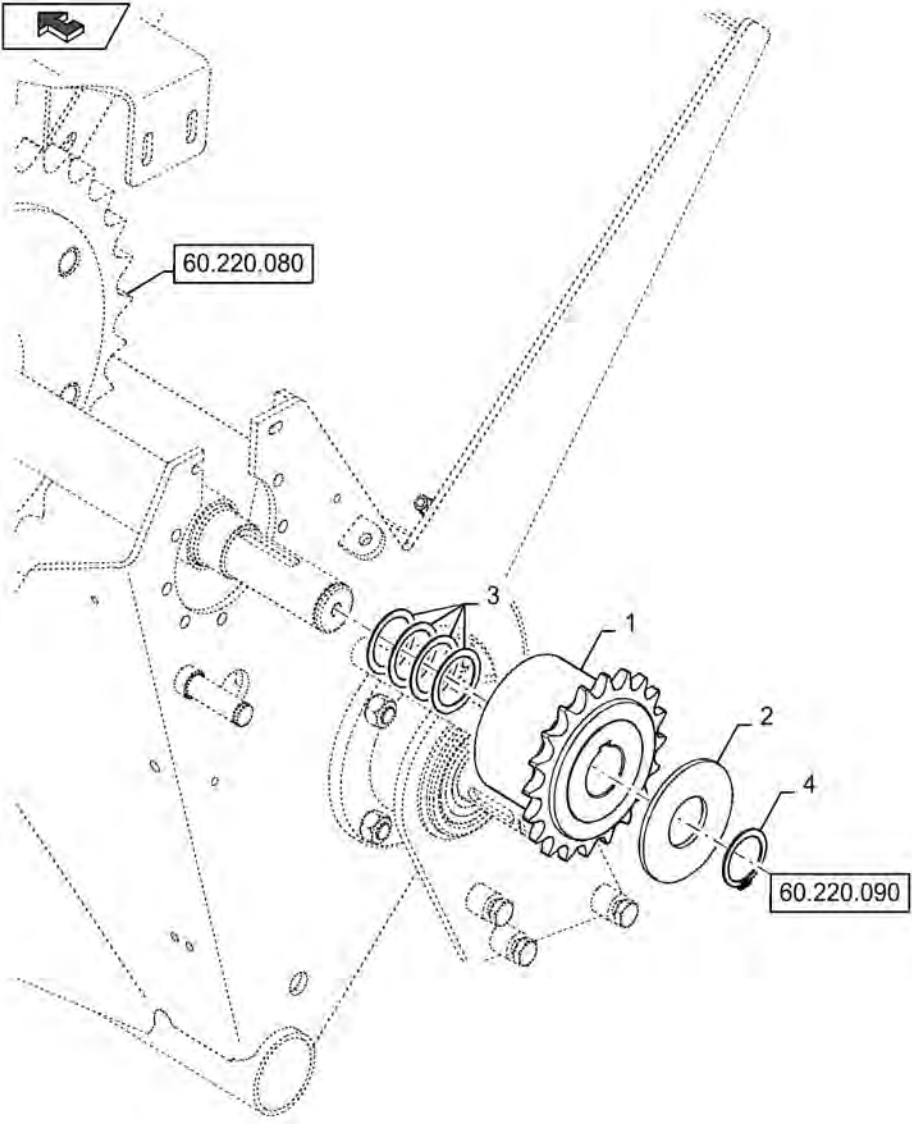


PICK-UP WINDGUARD

REF FN	PART NUMBER	YR/SN	QTY DESCRIPTION
31	437013		4 NUT
32	86636815		12 CARRIAGE BOLT Sq Nk, M8 x 25mm, Cl 8.8, Full Thd
33	12646701		12 WASHER 8.15mm ID x 20mm OD x 2mm Thk
34	437013		12 NUT

Orkel GP 1270 Kombi/ Orkel GP 1270S

PICK-UP DRIVE CLUTCH, FOR HEAVY DUTY ONLY

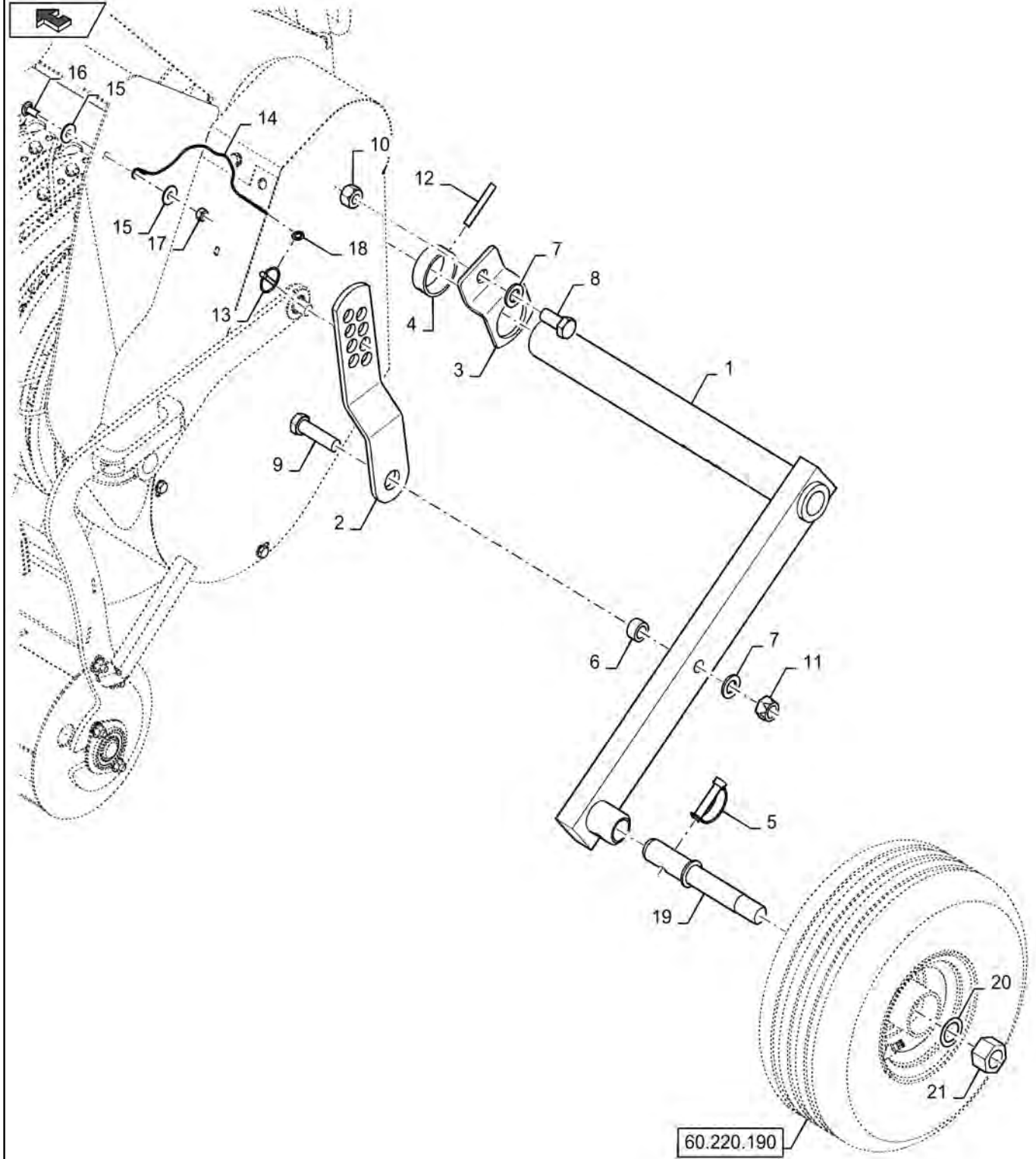


PICK-UP DRIVE CLUTCH, FOR HEAVY DUTY ONLY

REF FN	PART NUMBER	YR/SN	QTY DESCRIPTION
1	¹² 47481761		1 CLUTCH
2	47445808		1 PLATE
3	47450458		4 WASHER
4	370004		1 SNAP RING M35 x 1.5mm Thk, External
(1)	SUBPARTS NOT YET AVAILABLE		
(2)	MAINTENANCE PART		

Orkel GP 1270 Kombi/ Orkel GP 1270S

PICK-UP FIXED CARRIAGE



60.220.190

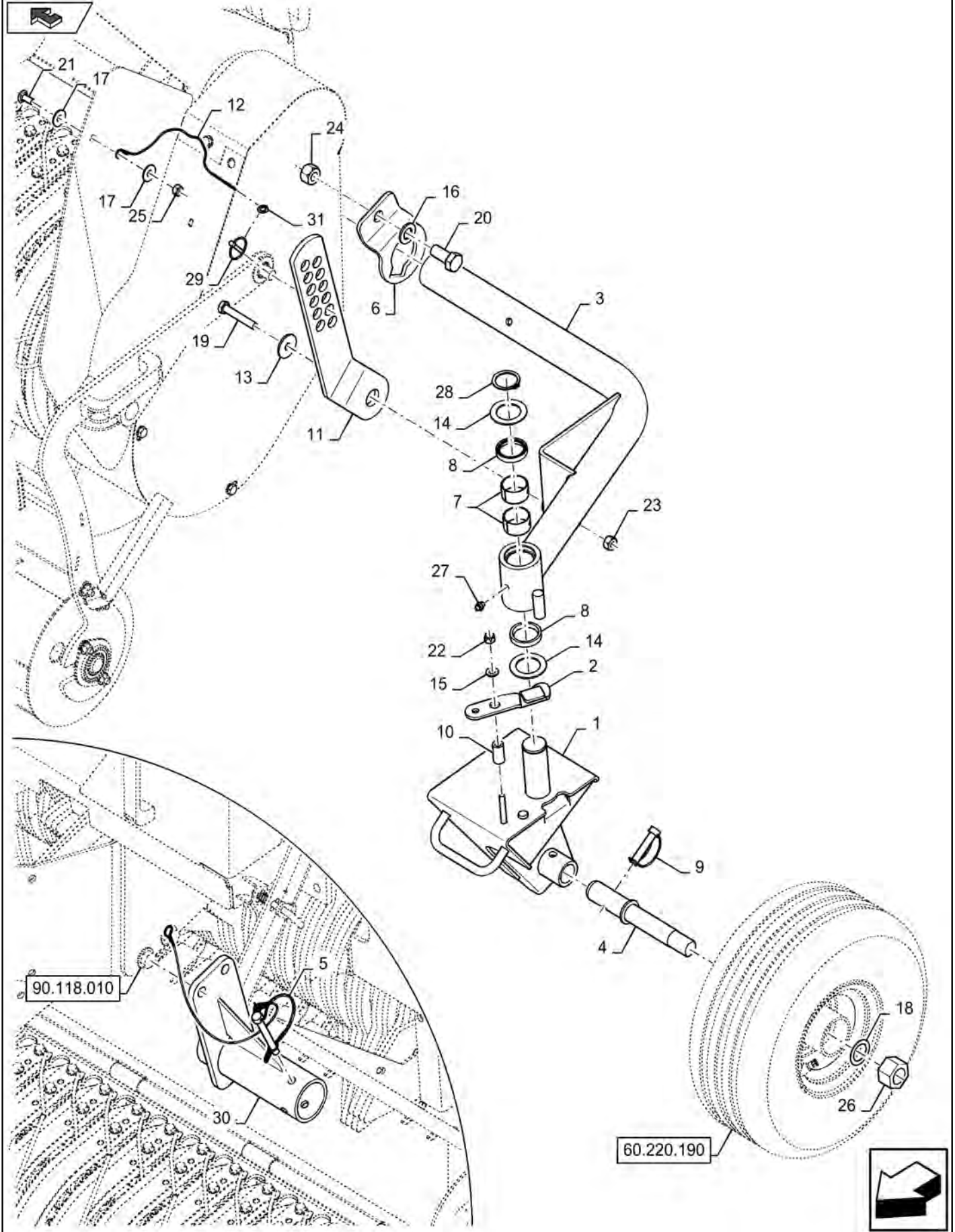


PICK-UP FIXED CARRIAGE

REF FN	PART NUMBER	YR/SN	QTY DESCRIPTION
1	47688331		2 ARM
2	47689903		1 PLATE LH
2	47689921		1 PLATE RH
3	47445907		2 PLATE
4	47445910		2 RING
5	9838996		2 COTTER PIN
6	47906993		2 SPACER
7	86511326		4 WASHER 17mm ID x 30mm OD x 3mm Thk
8	86508583		2 BOLT Hex, M16 x 35mm, CI 8.8, Full Thd
9	323866		2 BOLT Hex, M16 x 2.0 x 60mm, CI 8.8
10	84312238		2 NUT
11	86000441		2 NUT M16 x 2.0, CI 8
12	838-3860		2 LOCK PIN M8 x 60, Slotted
13	86508947		2 LINCH PIN 18.8mm OD
14	47680589		2 WIRE ROPE
15	86639313		4 WASHER 9mm ID x 24mm OD x 2mm Thk
16	86507486		2 CARRIAGE BOLT M8 x 1.25 x 20mm, CI 8.8
17	437013		2 NUT
18	84012277		2 KEY RING
19	84132501		2 PIN
20	140103		2 WASHER 26mm ID x 38mm OD x 1mm Thk
21	9837788		2 NUT M24 x 3, CI 8.8

Orkel GP 1270 Kombi/ Orkel GP 1270S

PICK-UP SWING CARRIAGE

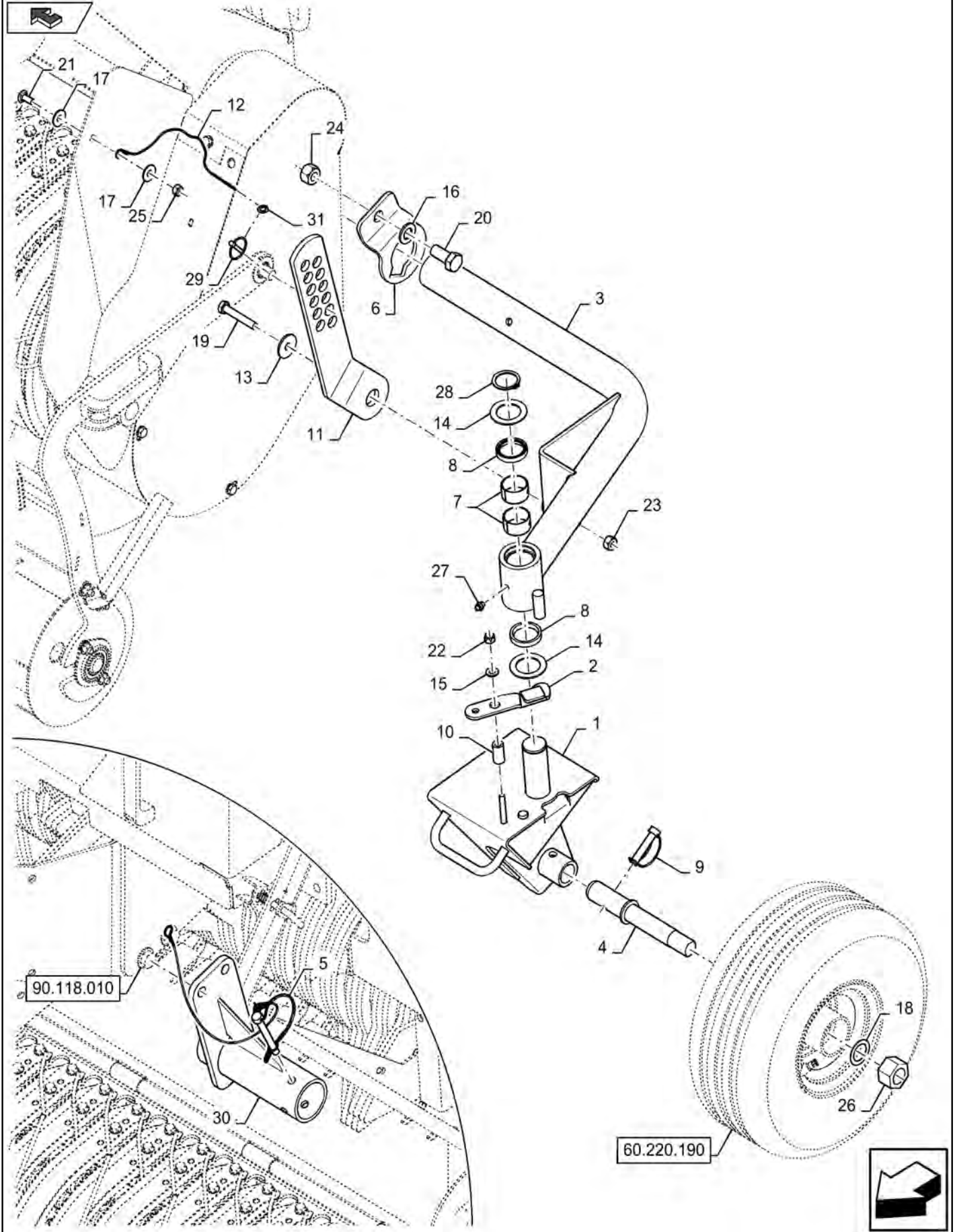


PICK-UP SWING CARRIAGE

REF FN	PART NUMBER	YR/SN	QTY DESCRIPTION
1	47671293		1 SWING CARRIAGE LH
1	47671284		1 SWING CARRIAGE RH
2	47928915		1 LOCK LH
2	47928911		1 LOCK RH
3	47744227		1 SWING CARRIAGE LH
3	47744226		1 SWING CARRIAGE RH
4	47691011		2 SHAFT
5	47907206		2 WIRE ROPE
6	47906551		1 SUPPORT LH
6	47906550		1 SUPPORT RH
7	9615969		4 SLEEVE 35mm ID x 39mm OD x 20mm L
8	84041902		4 SEALING ELEMENT
9	9838996		2 COTTER PIN
10	29524		2 SPRING
11	47928723		1 ARM LH
11	47928721		1 ARM RH
12	47680589		2 WIRE ROPE
13	12644301		2 WASHER M10 x 35 x 3
14	47529253		4 WASHER 35.5mm ID x 53mm OD x 2mm Thk
15	87362		2 WASHER 5/16" SAE
16	86511326		2 WASHER 17mm ID x 30mm OD x 3mm Thk
17	86639313		4 WASHER 9mm ID x 24mm OD x 2mm Thk
18	140103		2 WASHER 26mm ID x 38mm OD x 1mm Thk
19	120071		2 BOLT Hex, M10 x 65, 8.8
20	86508583		2 BOLT Hex, M16 x 35mm, CI 8.8, Full Thd
21	86507486		2 CARRIAGE BOLT M8 x 1.25 x 20mm, CI 8.8
22	86629542		2 NUT M8 x 1.25, CI 8.8
23	84100524		2 NUT M10 x 1.5, CI 8
24	84312238		2 NUT
25	437013		2 NUT
26	9837788		2 NUT M24 x 3, CI 8.8
27	62161		2 LUBE NIPPLE M8 x 1.25, Str

Orkel GP 1270 Kombi/ Orkel GP 1270S

PICK-UP SWING CARRIAGE

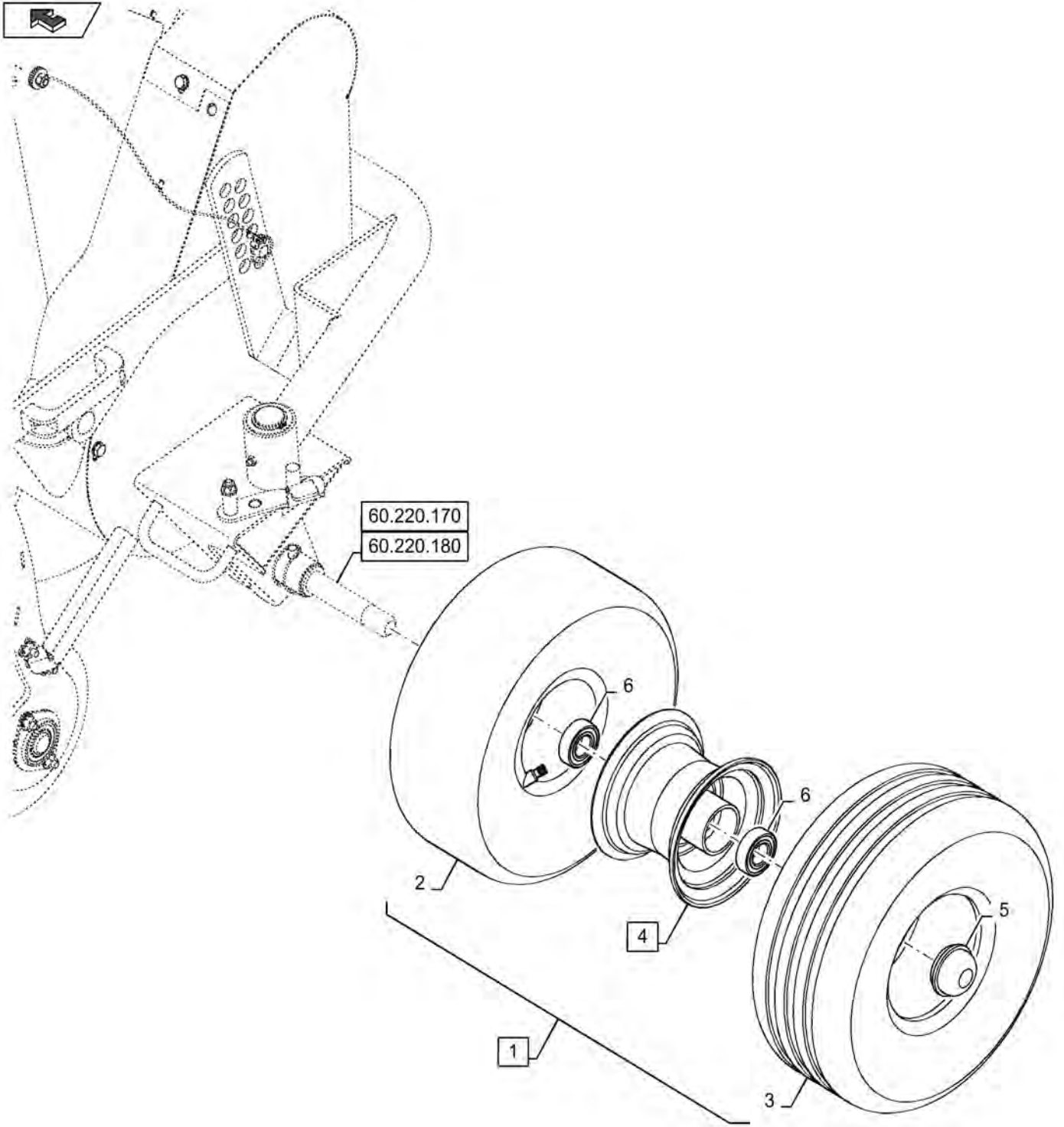


PICK-UP SWING CARRIAGE

REF FN	PART NUMBER	YR/SN	QTY DESCRIPTION
28	370004		2 SNAP RING M35 x 1.5mm Thk, External
29	86508947		2 LINCH PIN 18.8mm OD
30	47944108		2 SUPPORT
31	84012277		2 KEY RING

Orkel GP 1270 Kombi/ Orkel GP 1270S

PICK-UP WHEELS

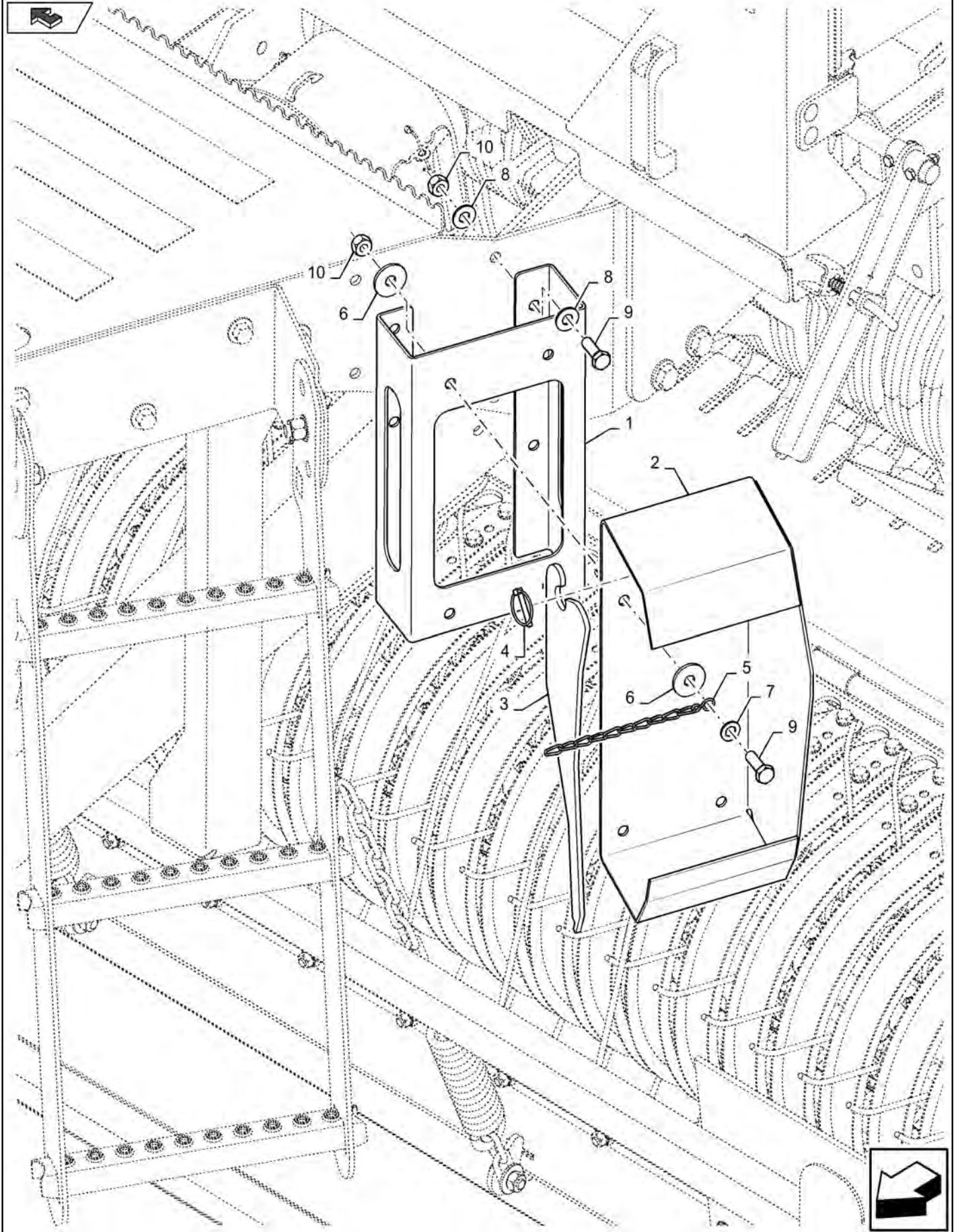


PICK-UP WHEELS

REF FN	PART NUMBER	YR/SN	QTY DESCRIPTION
1	84800800		2 WHEEL Incl 2 - 6
2	84429037		1 TIRE TUBE
3	84429038		1 TYRE/TIRE
4	1 84429039		1 RIM Incl 5
5	NSS		1 NOT SOLD SEPARAT Cover, Incl in 4
6	34439		2 BALL BEARING 25 mm ID x 52 mm OD x 15 mm
(1)	NOT PAINTED		

Orkel GP 1270 Kombi/ Orkel GP 1270S

ROTOR CUTTER BLANK KNIVES

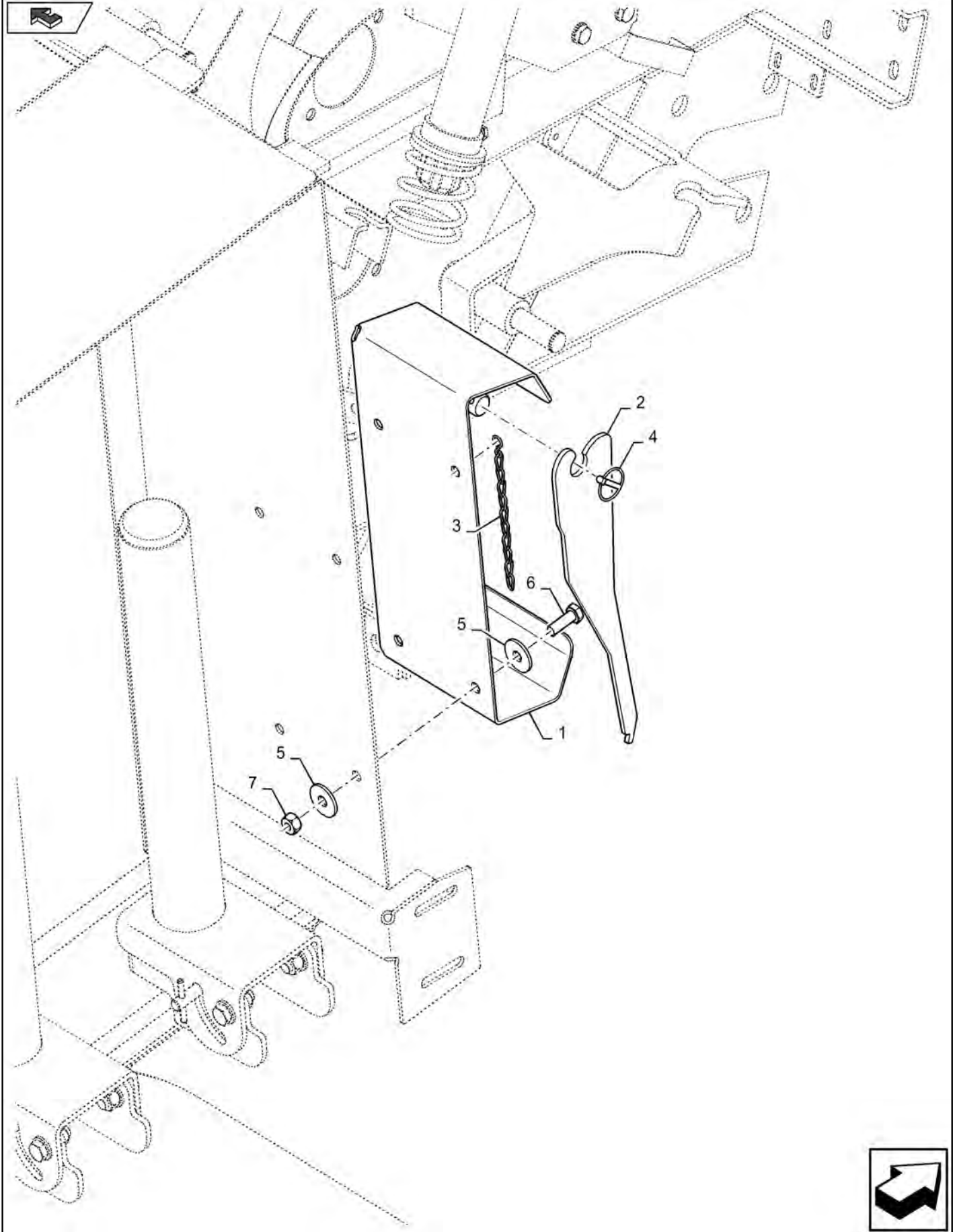


ROTOR CUTTER BLANK KNIVES

REF FN	PART NUMBER	YR/SN	QTY DESCRIPTION
1	47933602		1 BRACKET
2	47454791		1 SUPPORT
3	47454788		20 SUPPORT
4	86508947		1 LINCH PIN 18.8mm OD
5	84025509		1 CHAIN 180mm L
6	140042		8 WASHER 11mm ID x 34mm OD x 3mm Thk
7	86624176		1 WASHER 11mm ID x 20mm OD x 2mm Thk
8	86625253		8 WASHER 11mm ID x 24mm OD x 2mm Thk
9	43140		8 BOLT Hex, M10 x 1.5 x 30mm, CI 8.8
10	84100524		8 NUT M10 x 1.5, CI 8

Orkel GP 1270 Kombi/ Orkel GP 1270S

ROTOR CUTTER BLANK KNIVES



ROTOR CUTTER BLANK KNIVES

REF FN	PART NUMBER	YR/SN	QTY DESCRIPTION
1	47454791		1 SUPPORT
2	47454788		20 SUPPORT
3	84025509		1 CHAIN 180mm L
4	86508947		1 LINCH PIN 18.8mm OD
5	140042		8 WASHER 11mm ID x 34mm OD x 3mm Thk
6	43140		4 BOLT Hex, M10 x 1.5 x 30mm, CI 8.8
7	84100524		4 NUT M10 x 1.5, CI 8

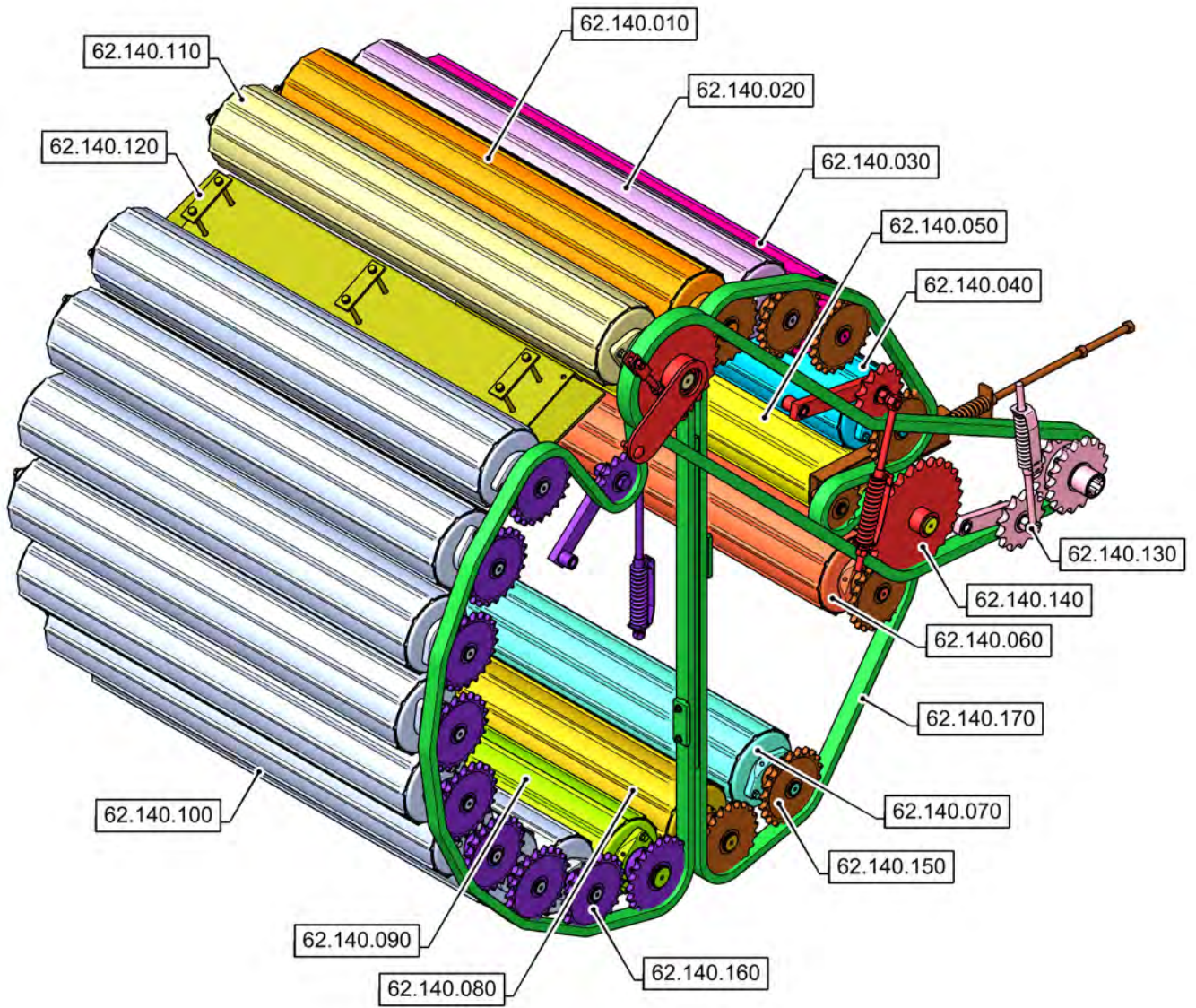
Orkel GP 1270 Kombi/ Orkel GP 1270S

SECTION INDEX

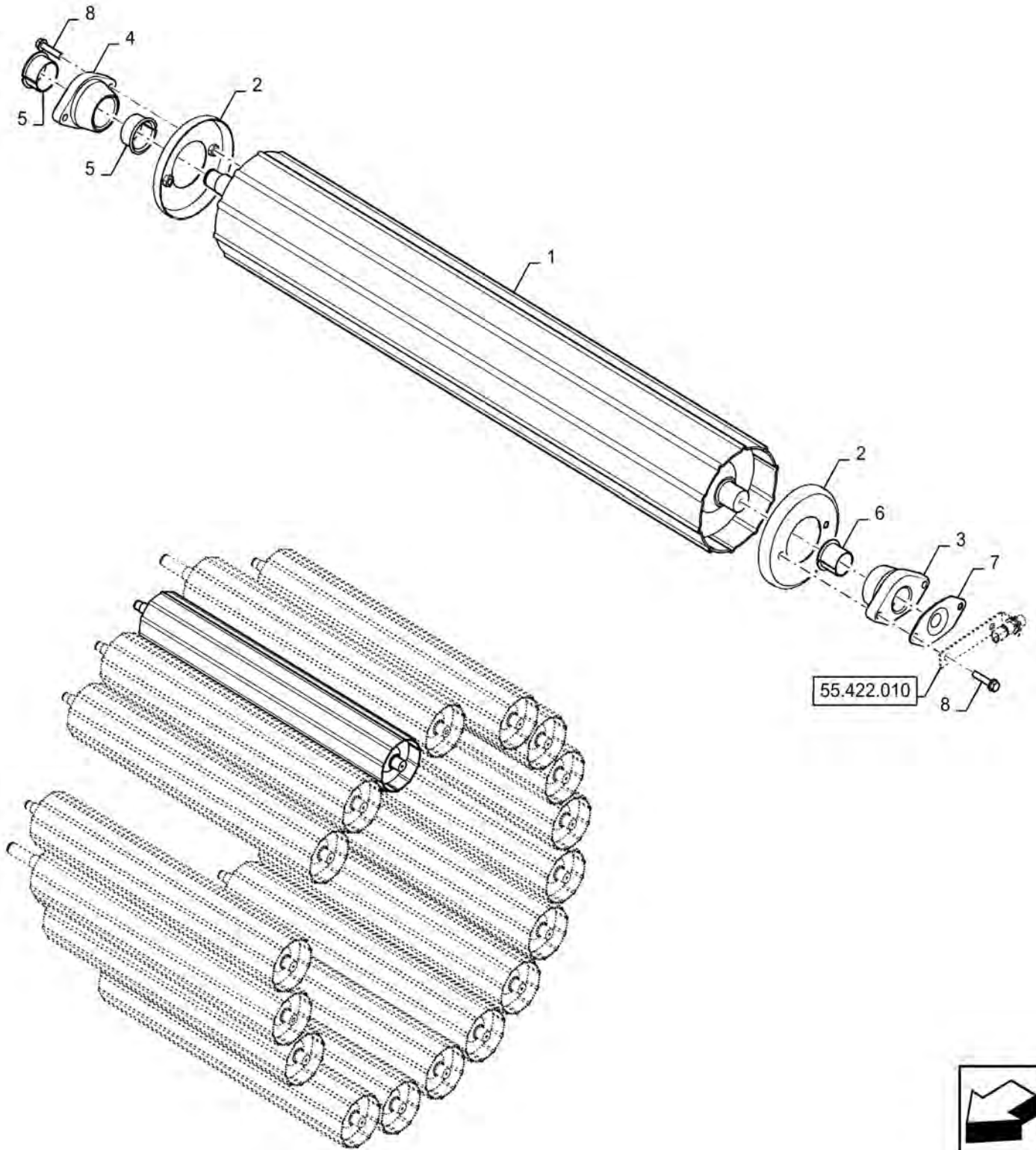
PRESSING - BALE FORMATION

62.000.00	01	SECTION INDEX - PRESSING - BALE FORMATION
62.140.010		MAIN FRAME ROLLS
62.140.020		MAIN FRAME ROLLS
62.140.030		MAIN FRAME ROLLS
62.140.040		MAIN FRAME ROLLS
62.140.050		MAIN FRAME ROLLS
62.140.060		MAIN FRAME ROLLS
62.140.070		MAIN FRAME ROLLS
62.140.080		MAIN FRAME ROLLS
62.140.090		TAILGATE ROLLS
62.140.100		TAILGATE ROLLS
62.140.110		TAILGATE ROLLS
62.140.120		STRAW KIT
62.140.130		MAIN CHAIN DRIVE
62.140.140		DISTRIBUTOR CHAIN DRIVE
62.140.150		MAIN FRAME ROLLS CHAIN DRIVE
62.140.160		TAILGATE ROLLS CHAIN DRIVE
62.140.170		BALE FORMATION CHAIN DRIVE

SECTION INDEX - PRESSING - BALE FORMATION



MAIN FRAME ROLLS

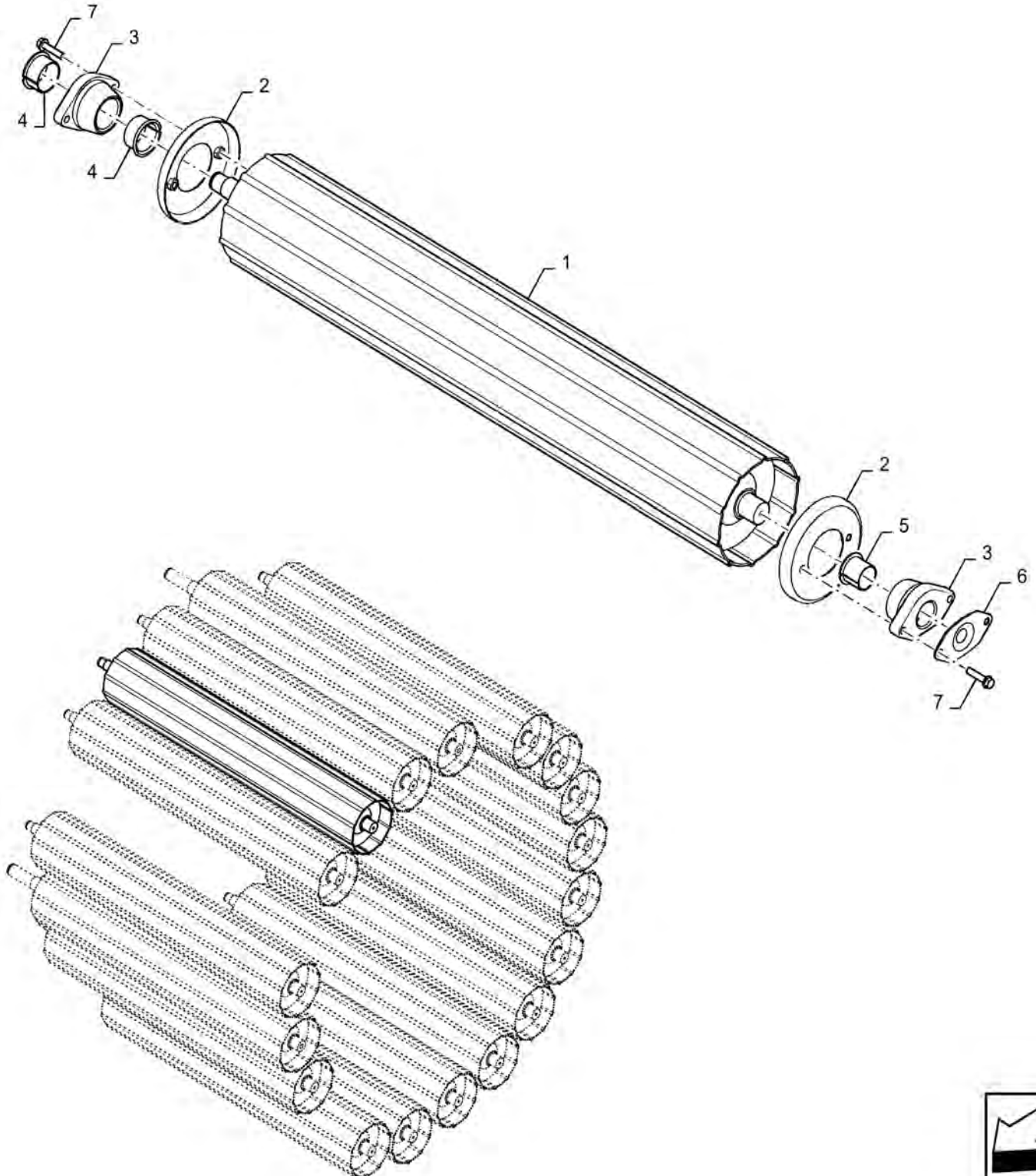


MAIN FRAME ROLLS

REF FN	PART NUMBER	YR/SN	QTY DESCRIPTION
1	47818779		1 ROLLER
2	47742045		2 SHIELD
3	1 47457730		1 HOUSING
4	1 47457058		1 HOUSING
5	1 47454157		2 BUSHING
6	1 47454158		1 BUSHING
7	47459640		1 COVER
8	47478716		4 BOLT Hex, M10 x 45mm
(1)	MAINTENANCE PART		

Orkel GP 1270 Kombi/ Orkel GP 1270S

MAIN FRAME ROLLS



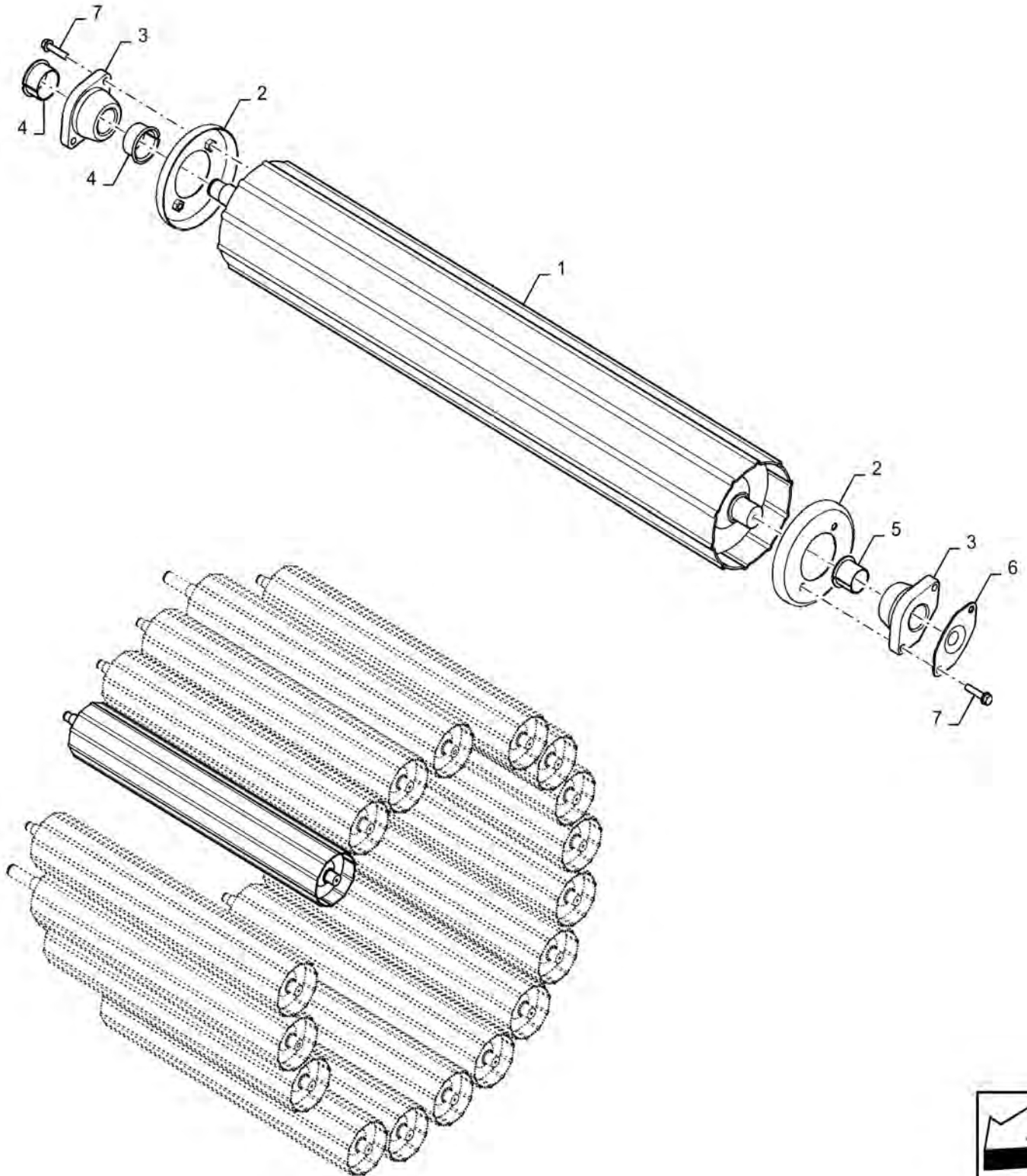
MAIN FRAME ROLLS

REF FN	PART NUMBER	YR/SN	QTY DESCRIPTION
1	47741259		1 ROLLER
2	47742045		2 SHIELD
3	1 47457730		2 HOUSING
4	1 47454159		2 BUSHING
5	1 47454158		1 BUSHING
6	47459640		1 COVER
7	47478716		4 BOLT Hex, M10 x 45mm

(1) MAINTENANCE PART

Orkel GP 1270 Kombi/ Orkel GP 1270S

MAIN FRAME ROLLS



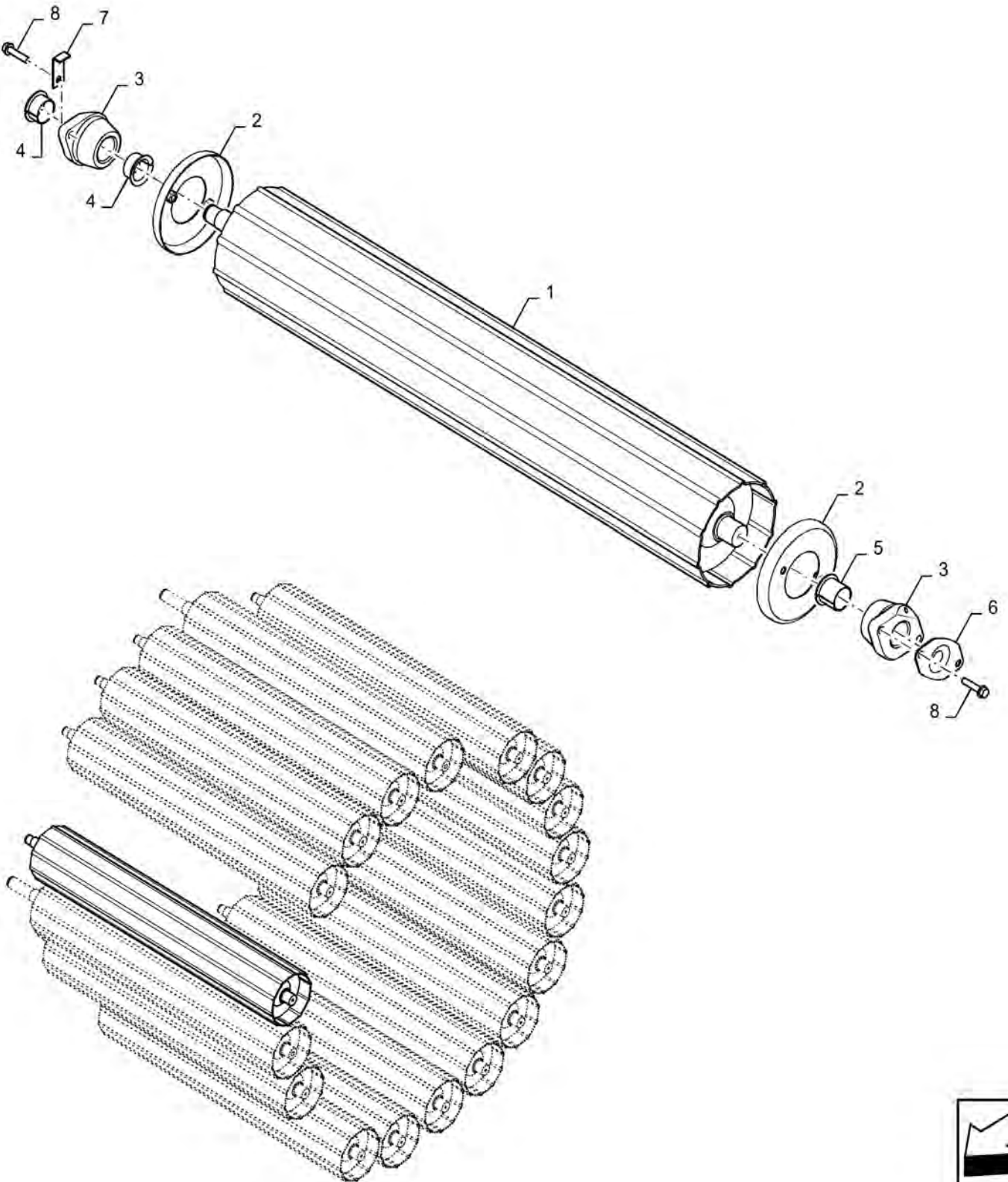
MAIN FRAME ROLLS

REF FN	PART NUMBER	YR/SN	QTY DESCRIPTION
1	47741259		1 ROLLER
2	47742045		2 SHIELD
3	1 47457730		2 HOUSING
4	1 47454159		2 BUSHING
5	1 47454158		1 BUSHING
6	47459640		1 COVER
7	47478716		4 BOLT Hex, M10 x 45mm

(1) MAINTENANCE PART

Orkel GP 1270 Kombi/ Orkel GP 1270S

MAIN FRAME ROLLS

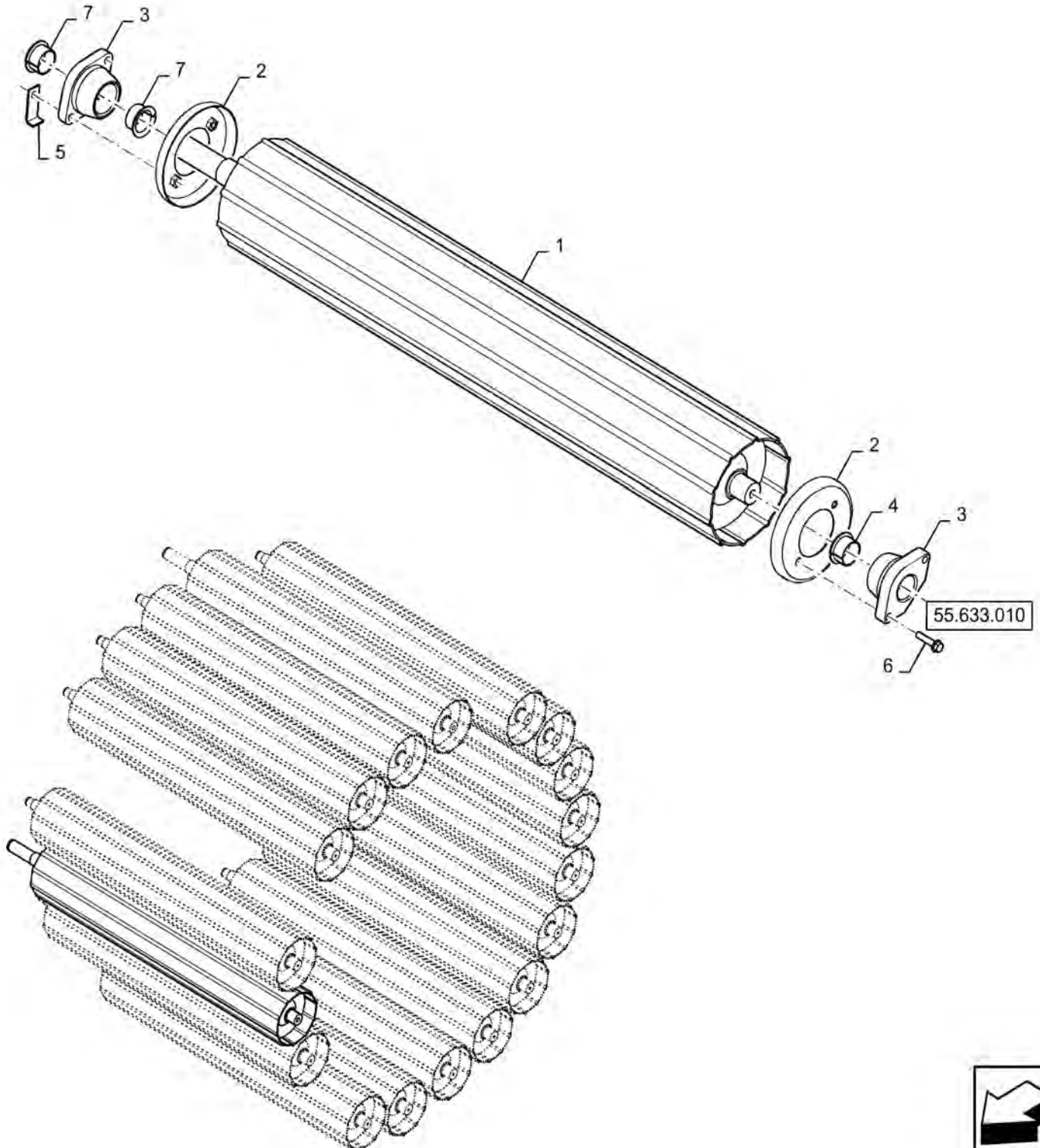


MAIN FRAME ROLLS

REF FN	PART NUMBER	YR/SN	QTY DESCRIPTION
1	47741259		1 ROLLER
2	47742045		2 SHIELD
3	1 47457730		2 HOUSING
4	1 47454159		2 BUSHING
5	1 47454158		1 BUSHING
6	47459640		1 COVER
7	47461623		1 PLATE
8	47478716		4 BOLT Hex, M10 x 45mm
(1)	MAINTENANCE PART		

Orkel GP 1270 Kombi/ Orkel GP 1270S

MAIN FRAME ROLLS



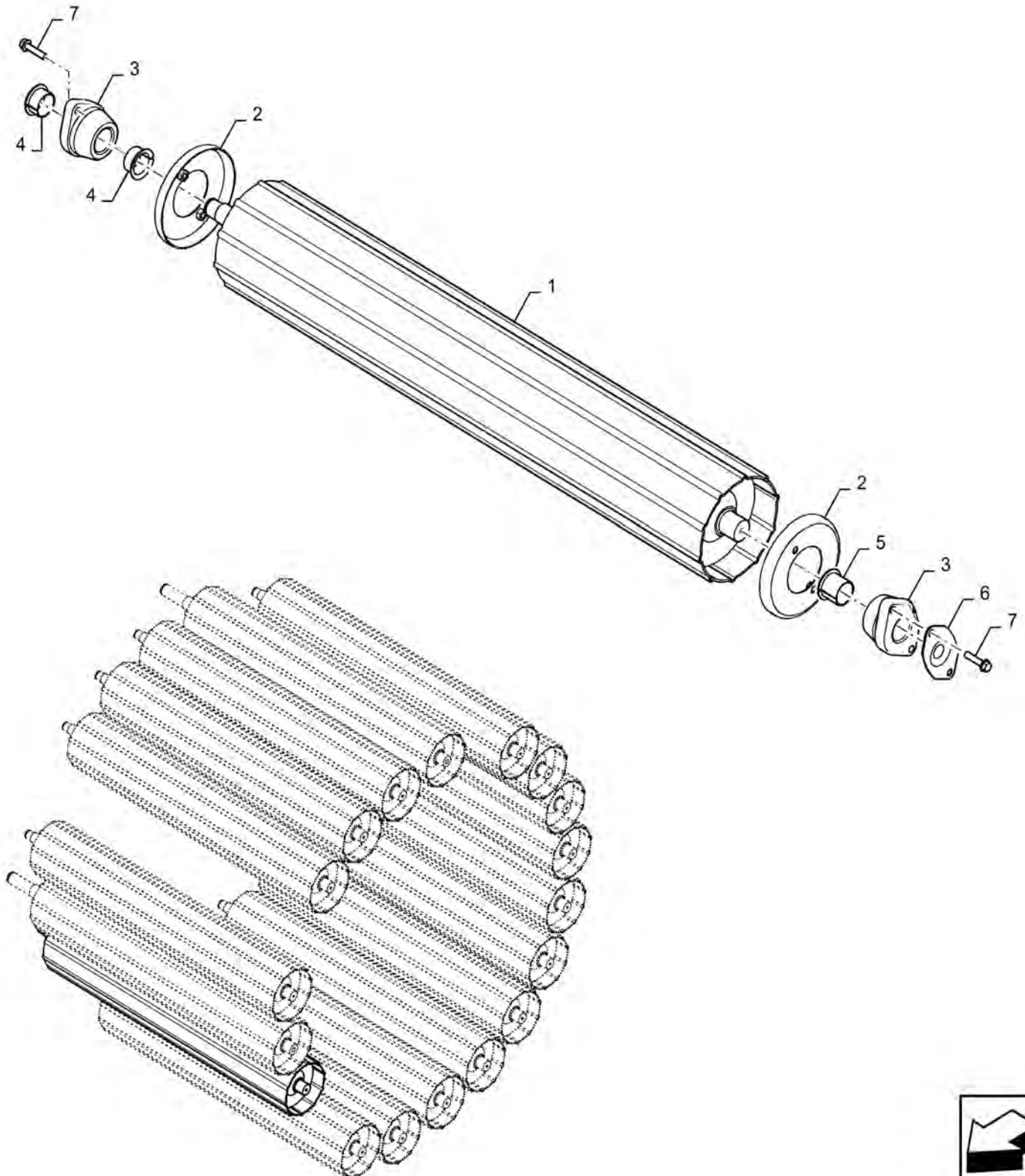
MAIN FRAME ROLLS

REF FN	PART NUMBER	YR/SN	QTY DESCRIPTION
1	47818781		1 ROLLER
2	47742045		2 SHIELD
3	1 47457730		2 HOUSING
4	1 47454159		1 BUSHING
5	47461623		1 PLATE
6	47478716		4 BOLT Hex, M10 x 45mm
7	1 47454157		2 BUSHING

(1) MAINTENANCE PART

Orkel GP 1270 Kombi/ Orkel GP 1270S

MAIN FRAME ROLLS



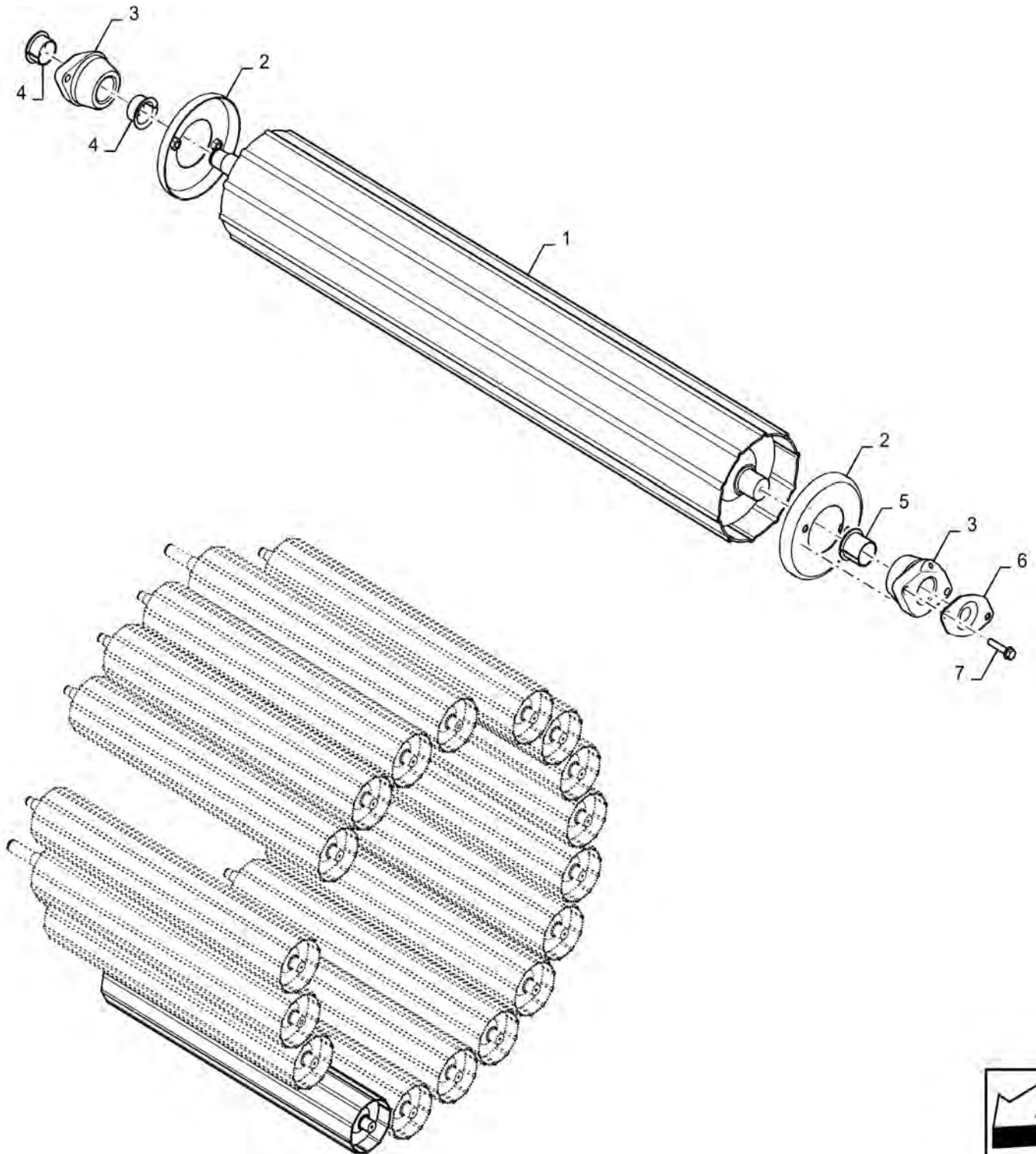
MAIN FRAME ROLLS

REF FN	PART NUMBER	YR/SN	QTY DESCRIPTION
1	47741259		1 ROLLER
2	47742045		2 SHIELD
3	1 47457730		2 HOUSING
4	1 47454159		2 BUSHING
5	1 47454158		1 BUSHING
6	47459640		1 COVER
7	47478716		4 BOLT Hex, M10 x 45mm

(1) MAINTENANCE PART

Orkel GP 1270 Kombi/ Orkel GP 1270S

MAIN FRAME ROLLS



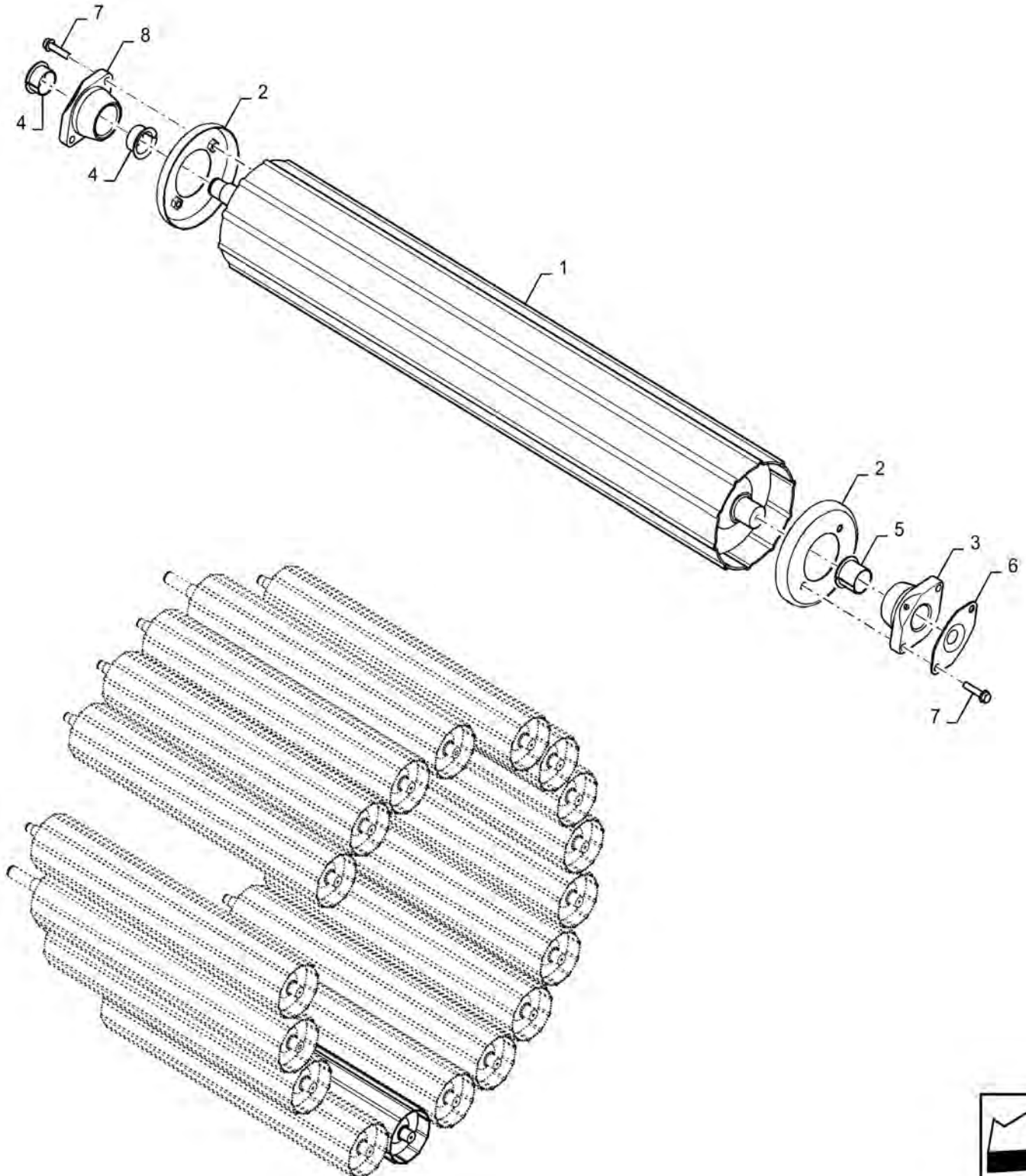
MAIN FRAME ROLLS

REF FN	PART NUMBER	YR/SN	QTY DESCRIPTION
1	47741259		1 ROLLER
2	47742045		2 SHIELD
3	1 47457730		2 HOUSING
4	1 47454159		2 BUSHING
5	1 47454158		1 BUSHING
6	47459640		1 COVER
7	47478716		4 BOLT Hex, M10 x 45mm

(1) MAINTENANCE PART

Orkel GP 1270 Kombi/ Orkel GP 1270S

MAIN FRAME ROLLS

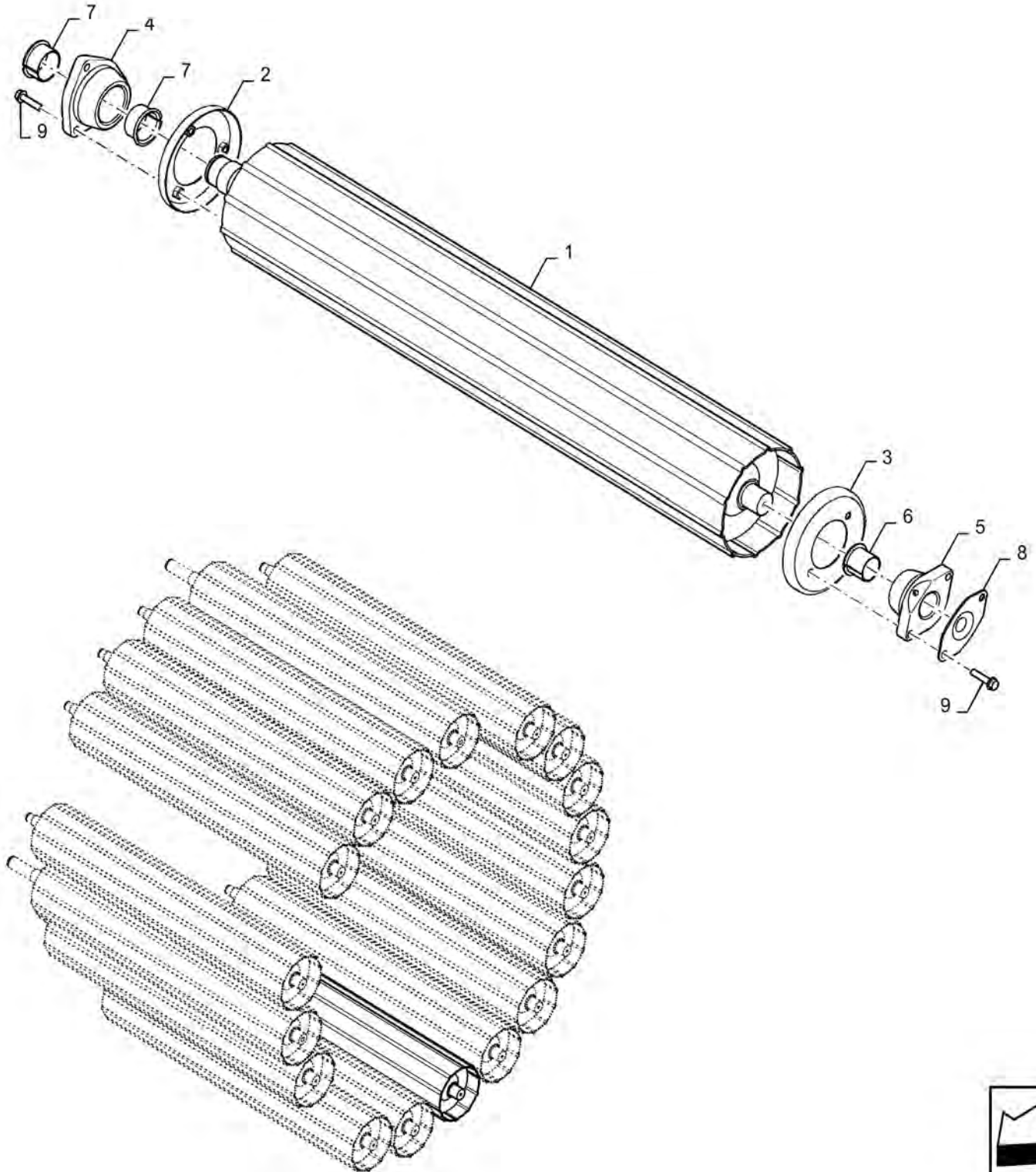


MAIN FRAME ROLLS

REF FN	PART NUMBER	YR/SN	QTY DESCRIPTION
1	47818779		1 ROLLER
2	47742045		2 SHIELD
3	47457730		1 HOUSING
4	1 47454157		2 BUSHING
5	1 47454158		1 BUSHING
6	47459640		1 COVER
7	47478716		4 BOLT Hex, M10 x 45mm
8	1 47457058		1 HOUSING
(1)	MAINTENANCE PART		

Orkel GP 1270 Kombi/ Orkel GP 1270S

TAILGATE ROLLS

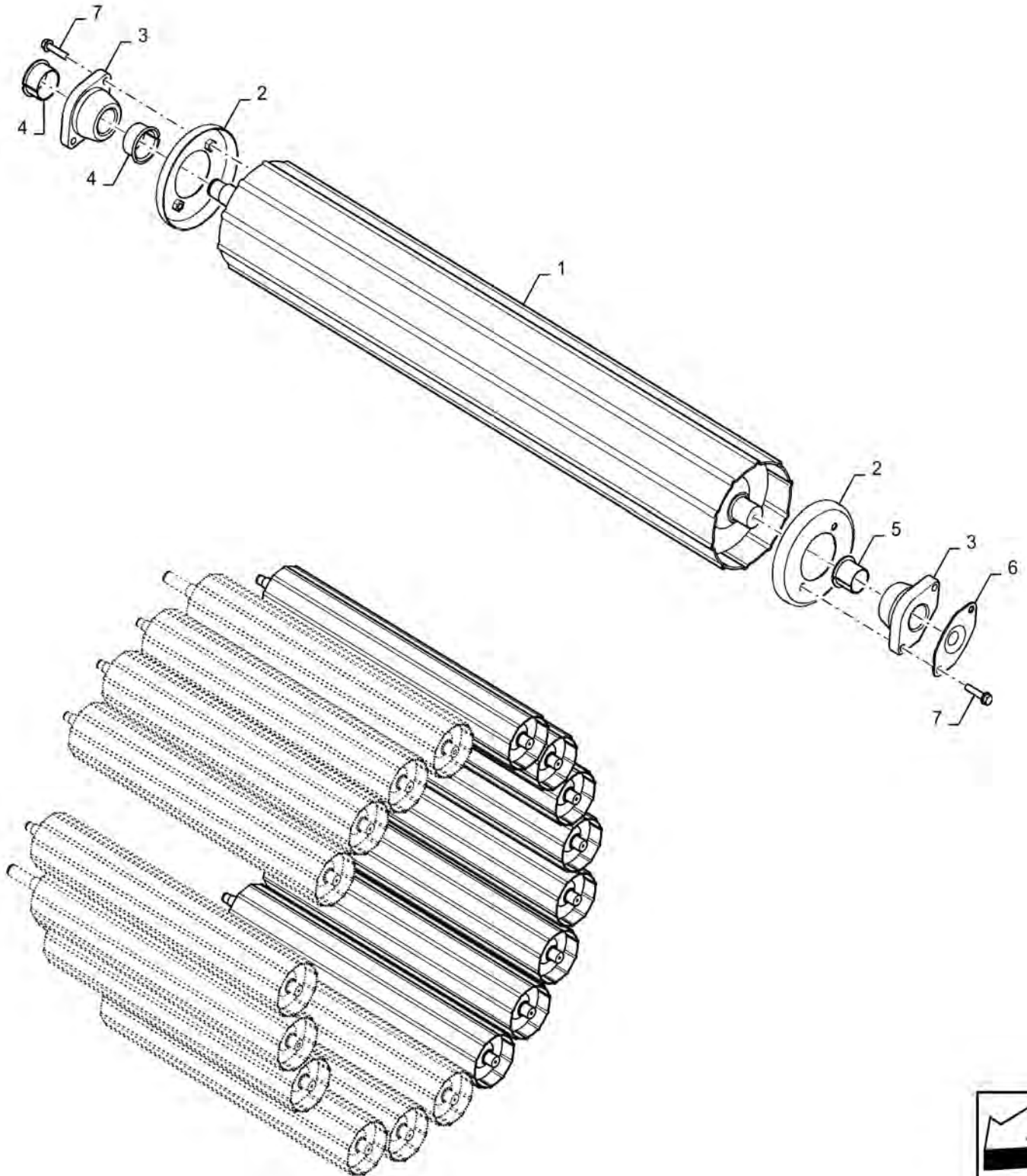


TAILGATE ROLLS

REF FN	PART NUMBER	YR/SN	QTY DESCRIPTION
1	47818783		1 ROLLER
2	47819083		1 SHIELD
3	47742045		1 SHIELD
4	1 47457731		1 HOUSING
5	1 47457730		1 HOUSING
6	1 47454158		1 BUSHING
7	1 47454156		2 BUSHING
8	47459640		1 COVER
9	47478716		5 BOLT Hex, M10 x 45mm
(1)	MAINTENANCE PART		

Orkel GP 1270 Kombi/ Orkel GP 1270S

TAILGATE ROLLS



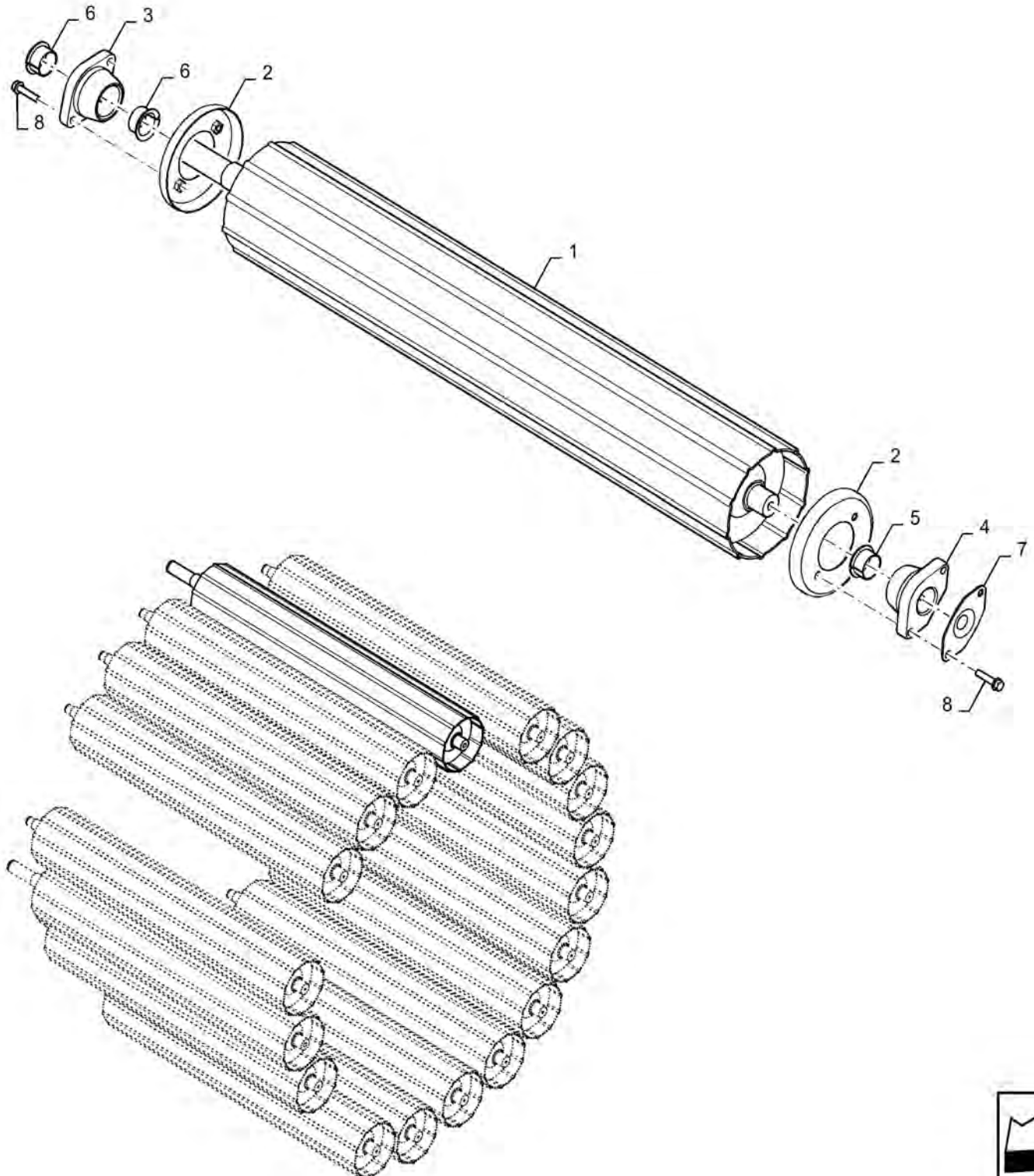
TAILGATE ROLLS

REF FN	PART NUMBER	YR/SN	QTY DESCRIPTION
1	47741259		8 ROLLER
2	47742045		16 SHIELD
3	1 47457730		16 HOUSING
4	1 47454159		16 BUSHING
5	1 47454158		8 BUSHING
6	47459640		8 COVER
7	47478716		32 BOLT Hex, M10 x 45mm

(1) MAINTENANCE PART

Orkel GP 1270 Kombi/ Orkel GP 1270S

TAILGATE ROLLS

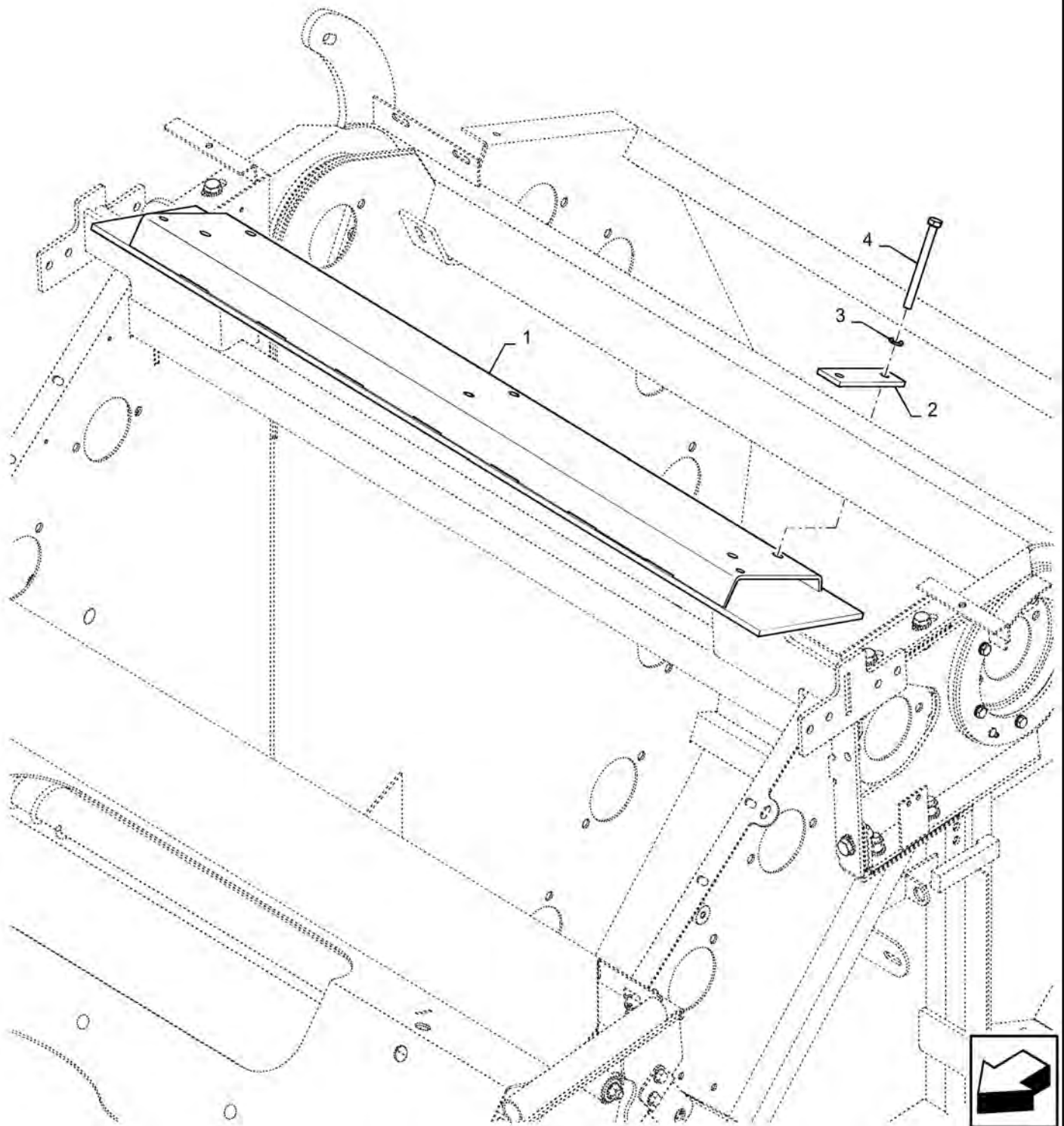


TAILGATE ROLLS

REF FN	PART NUMBER	YR/SN	QTY DESCRIPTION
1	47818781		1 ROLLER
2	47742045		2 SHIELD
3	1 47457058		1 HOUSING
4	1 47457730		1 HOUSING
5	1 47454158		1 BUSHING
6	1 47454157		2 BUSHING
7	47459640		1 COVER
8	47478716		4 BOLT Hex, M10 x 45mm
(1)	MAINTENANCE PART		

Orkel GP 1270 Kombi/ Orkel GP 1270S

STRAW KIT



62.140.120

p1

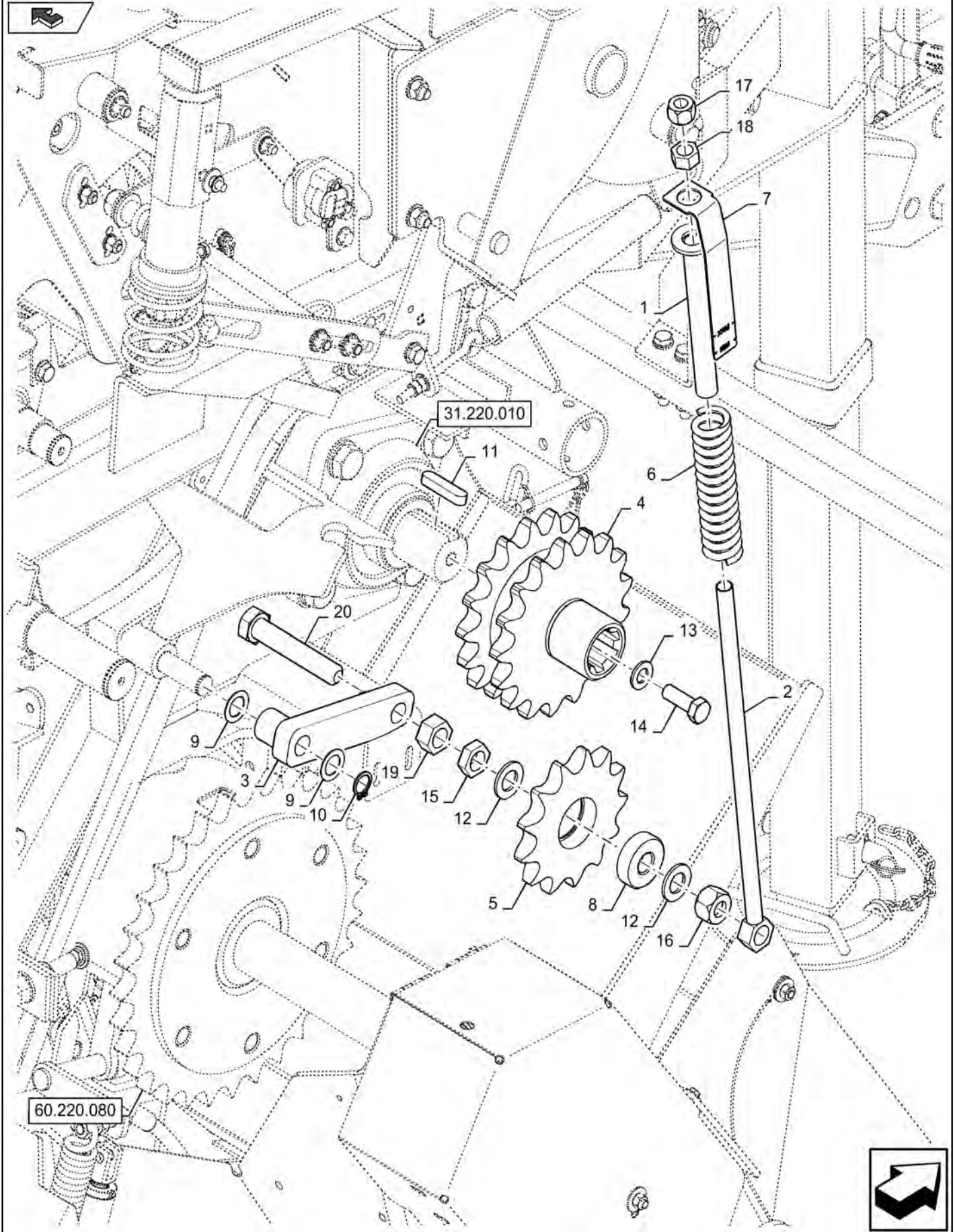
4/2017

STRAW KIT

REF FN	PART NUMBER	YR/SN	QTY DESCRIPTION
1	47912215		1 RETAINER
2	47486996		3 PLATE
3	140028		6 WASHER 10.2mm ID x 18.1mm OD x 2.2mm Thk
4	86508573		6 BOLT Hex, M10 x 110mm, Cl 8.8

Orkel GP 1270 Kombi/ Orkel GP 1270S

MAIN CHAIN DRIVE

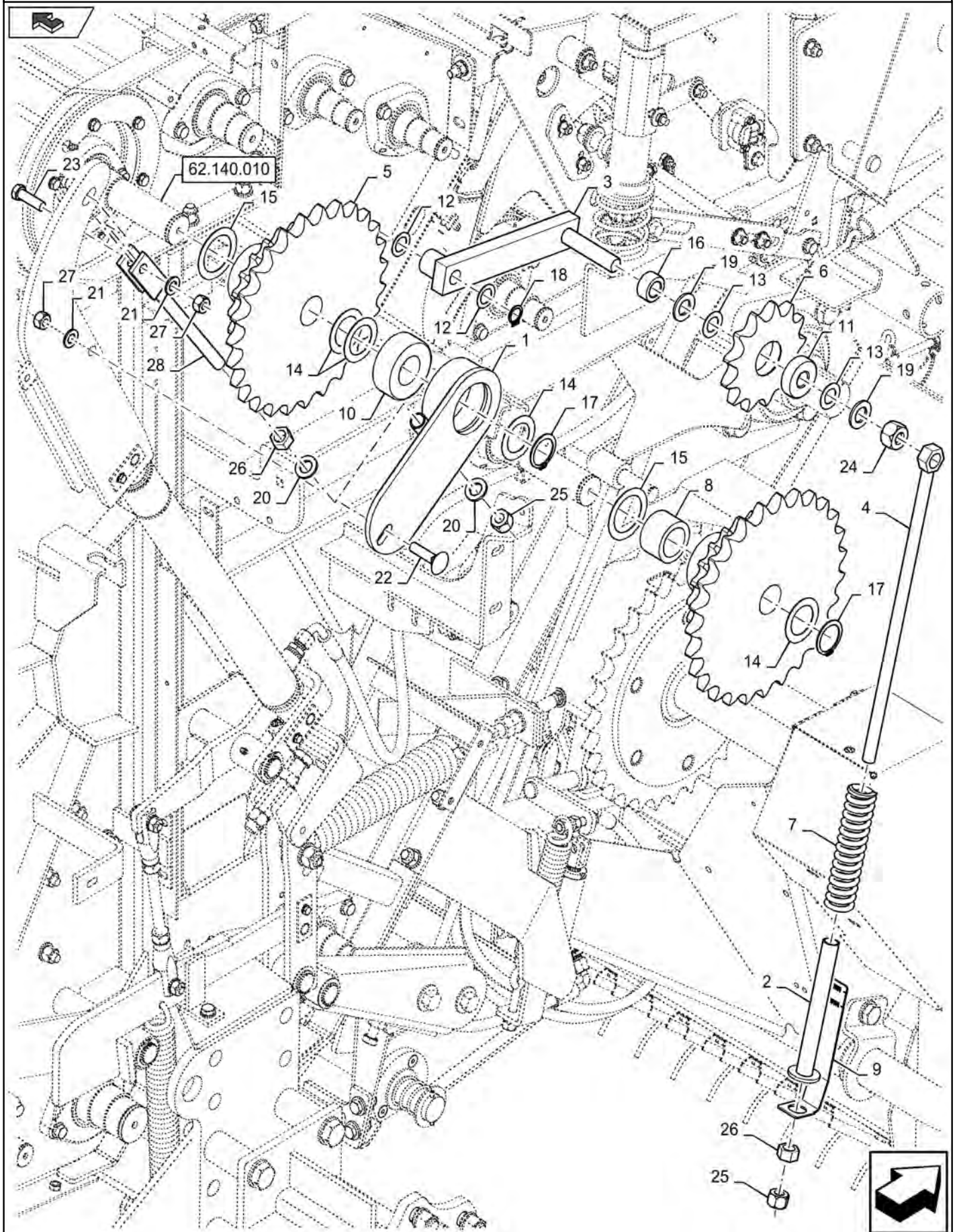


MAIN CHAIN DRIVE

REF FN	PART NUMBER	YR/SN	QTY DESCRIPTION
1	47461679		1 TUBE
2	47461675		1 THREADED ROD
3	47461664		1 BRACKET
4	1 47988418		1 SPROCKET
5	1 47458933		1 SPROCKET
6	47463522		1 SPRING
7	47808323		1 INDICATOR
8	47470743		1 BALL BEARING
9	47468357		2 SHIM 20mm ID x 32mm OD x 1mm Thk
10	86625140		1 SNAP RING M20, Ext
11	47473589		1 SQUARE KEY 14mm x 9mm x 56mm
12	86511327		2 WASHER 21mm ID x 37mm OD x 3mm Thk
13	86511325		1 WASHER 15mm ID x 28mm OD x 2.5mm Thk
14	87555733		1 BOLT Hex, M14 x 40mm, CI 10.9, Full Thd
15	920091705		1 THIN NUT
16	82020635		1 NUT Prevailing Torque, M20 x 2.5 x 20mm, CI8
17	84312238		1 NUT
18	100020		1 NUT M16 x 2.0, CI 8
19	9706694		1 NUT Hex, M20, CI 8
20	15224921		1 BOLT Hex, M20 x 2.5 x 110mm, CI 8.8, Full Thd
(1)	MAINTENACE PART		

Orkel GP 1270 Kombi/ Orkel GP 1270S

DISTRIBUTOR CHAIN DRIVE

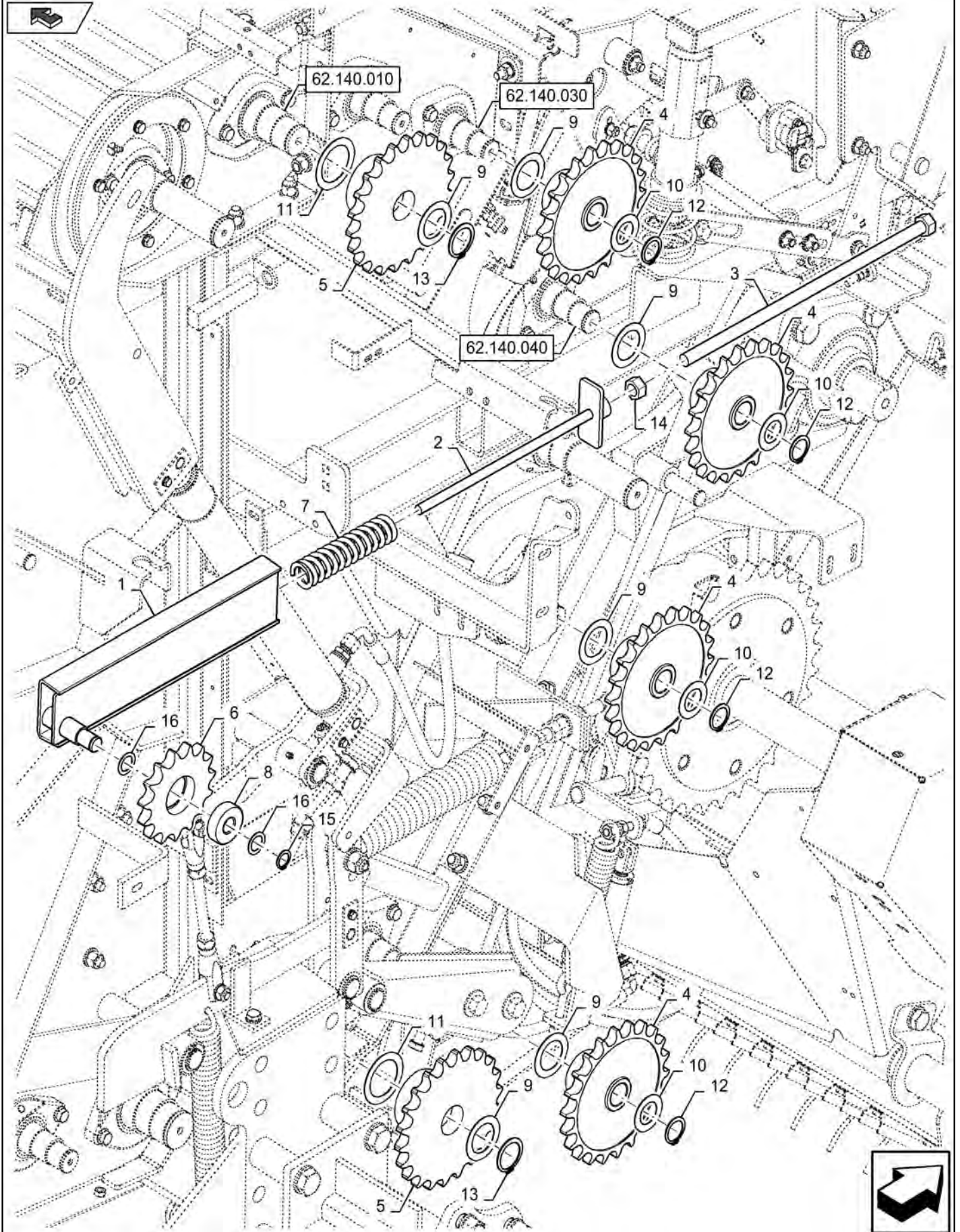


DISTRIBUTOR CHAIN DRIVE

REF FN	PART NUMBER	YR/SN	QTY DESCRIPTION
1	47461635		1 SUPPORT
2	47461679		1 TUBE
3	47838828		1 TENSIONER
4	47461675		1 THREADED ROD
5	47456973		2 SPROCKET
6	47458933		1 SPROCKET
7	47463522		1 SPRING
8	47471077		1 SPACER
9	47808323		1 INDICATOR
10	47470744		1 BALL BEARING
11	47470743		1 BALL BEARING
12	47468357		2 SHIM 20mm ID x 32mm OD x 1mm Thk
13	47839521		2 SHIM
14	47472663		4 SHIM 40mm ID x 60mm OD x 1mm Thk
15	47472667		2 SHIM
16	47839506		1 SPACER
17	370006		2 SNAP RING M40, Ext
18	86625140		1 SNAP RING M20, Ext
19	86511327		2 WASHER 21mm ID x 37mm OD x 3mm Thk
20	86511326		2 WASHER 17mm ID x 30mm OD x 3mm Thk
21	86511324		2 WASHER 13mm ID x 24mm OD x 2.5mm Thk
22	43480		1 CIRCLIP
23	9628065		1 SCREW Hex, M12 x 1.75 x 45mm, Cl 8.8
24	82020635		1 NUT Prevailing Torque, M20 x 2.5 x 20mm, Cl8
25	84312238		2 NUT
26	100020		2 NUT M16 x 2.0, Cl 8
27	84278115		2 NUT
28	47471079		1 TENSIONER

Orkel GP 1270 Kombi/ Orkel GP 1270S

MAIN FRAME ROLLS CHAIN DRIVE

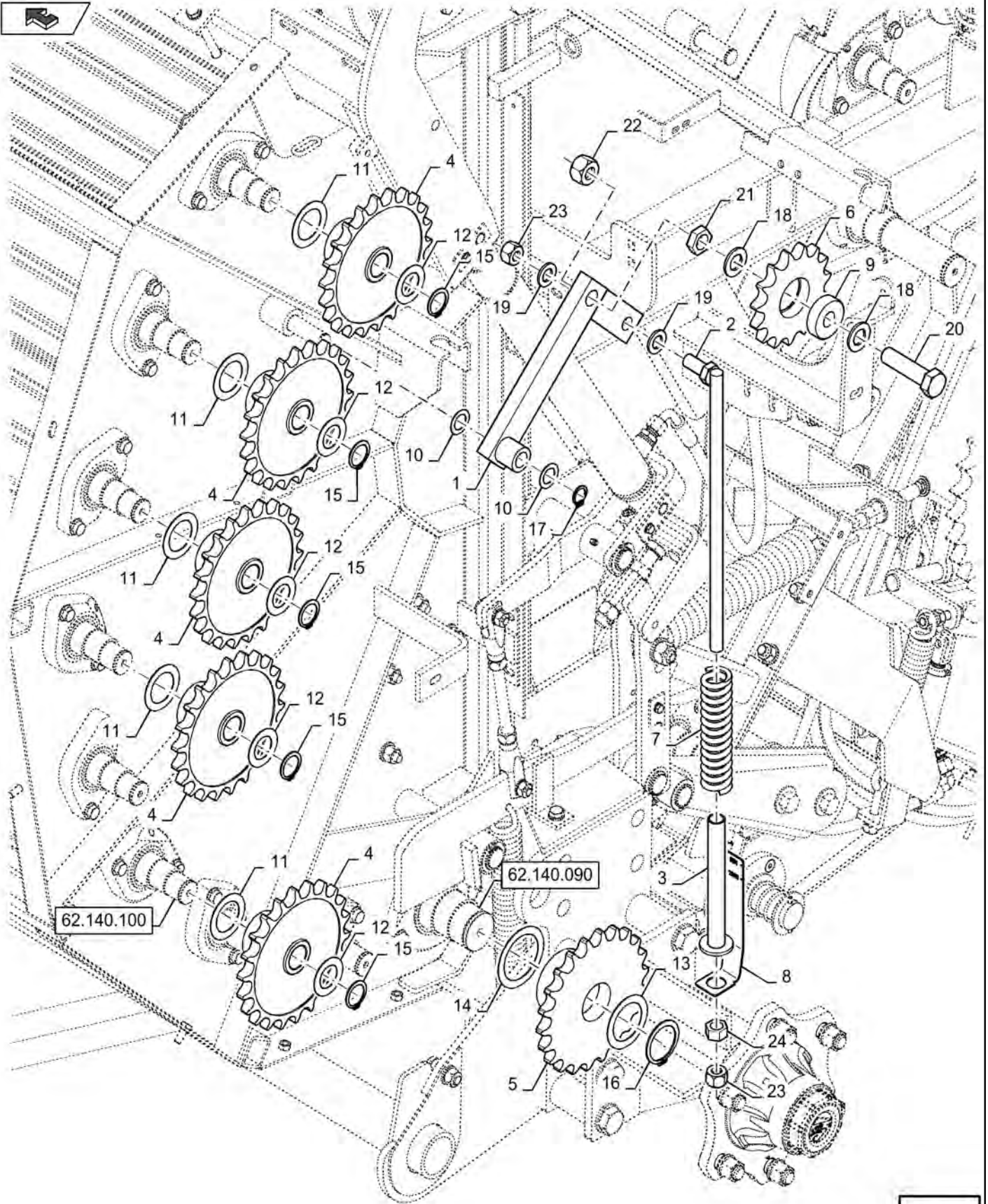


MAIN FRAME ROLLS CHAIN DRIVE

REF FN	PART NUMBER	YR/SN	QTY DESCRIPTION
1	47963560		1 TENSIONER
2	47461683		1 THREADED ROD
3	47461674		1 THREADED ROD
4	1 47458928		5 SPROCKET
5	1 47458932		2 SPROCKET
6	1 47957038		1 SPROCKET
7	47625141		1 SPRING
8	47470743		1 BALL BEARING
9	47472663		7 SHIM 40mm ID x 60mm OD x 1mm Thk
10	47472670		5 SHIM
11	47472667		2 SHIM
12	370003		5 SNAP RING M30, External
13	370006		2 SNAP RING M40, Ext
14	100020		1 NUT M16 x 2.0, CI 8
15	370024		1 CIRCLIP M20, Ext
16	47963128		8 SHIM
(1)	MAINTENANCE PART		

Orkel GP 1270 Kombi/ Orkel GP 1270S

TAILGATE ROLLS CHAIN DRIVE



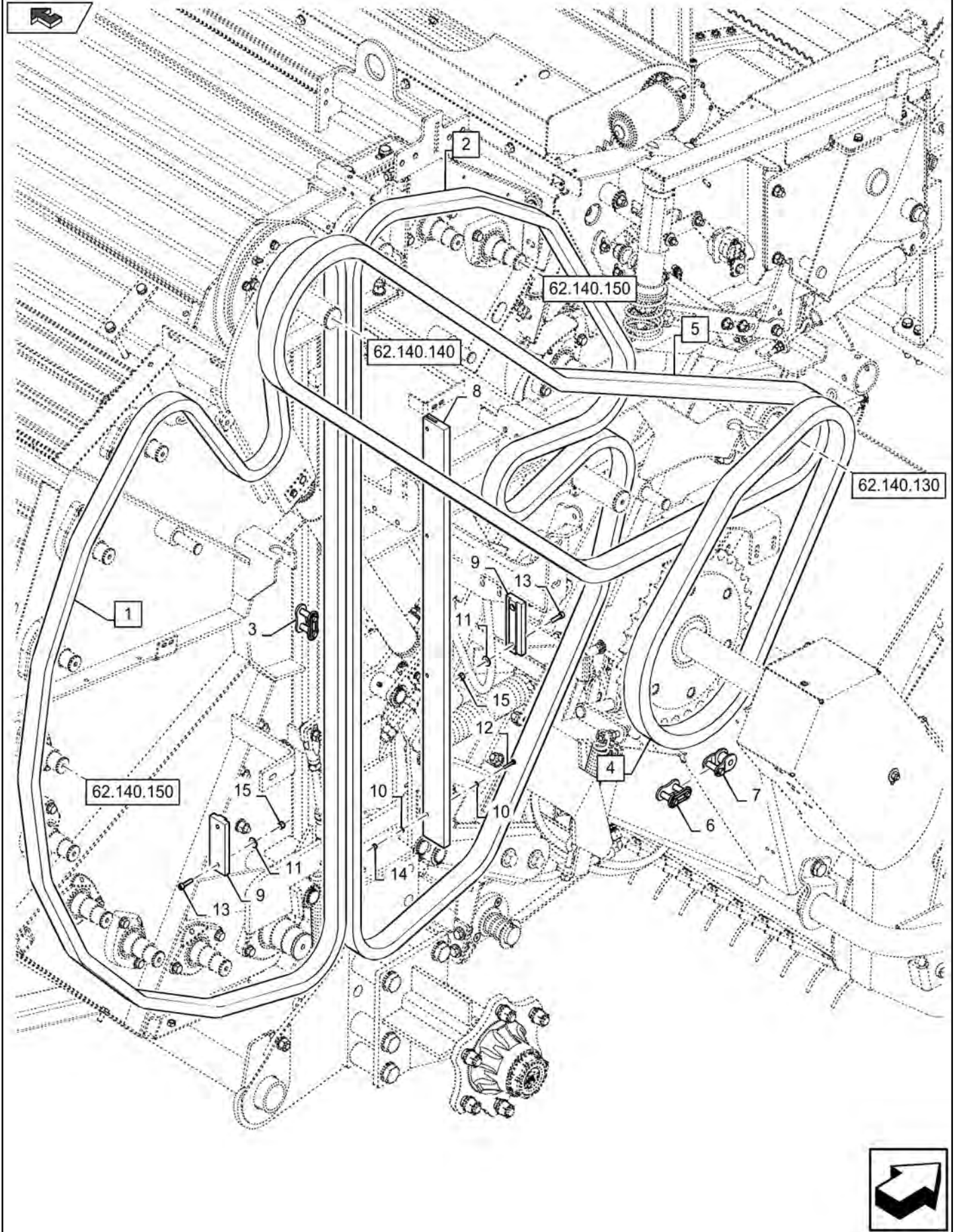
TAILGATE ROLLS CHAIN DRIVE

REF FN	PART NUMBER	YR/SN	QTY DESCRIPTION
1	47461651		1 BRACKET
2	47461671		1 THREADED ROD
3	47461679		1 TUBE
4	1 47458928		8 SPROCKET
5	1 47458931		1 SPROCKET
6	1 47957038		1 SPROCKET
7	47463522		1 SPRING
8	47808323		1 INDICATOR
9	47470743		1 BALL BEARING
10	47468357		2 SHIM 20mm ID x 32mm OD x 1mm Thk
11	47472663		8 SHIM 40mm ID x 60mm OD x 1mm Thk
12	47472670		8 SHIM
13	47472667		1 SHIM
14	47472669		1 SHIM
15	370003		8 SNAP RING M30, External
16	370008		1 SNAP RING M50, Ext
17	86625140		1 SNAP RING M20, Ext
18	86511327		2 WASHER 21mm ID x 37mm OD x 3mm Thk
19	86511326		2 WASHER 17mm ID x 30mm OD x 3mm Thk
20	15224321		1 BOLT Hex, M20 x 2.5 x 80mm, CI 8.8, Full Thd
21	920091705		1 THIN NUT
22	82020635		1 NUT Prevailing Torque, M20 x 2.5 x 20mm, CI8
23	84312238		2 NUT
24	100020		1 NUT M16 x 2.0, CI 8

(1) MAINTENANCE PART

Orkel GP 1270 Kombi/ Orkel GP 1270S

BALE FORMATION CHAIN DRIVE



BALE FORMATION CHAIN DRIVE

REF FN	PART NUMBER	YR/SN	QTY DESCRIPTION
1	1 47960955		1 CHAIN Incl 3
2	1 47960931		1 CHAIN Incl 3
3	1 47960939		1 CONNECTING LINK
4	1 47960871		1 CHAIN Incl 6 - 7
5	47960914		1 CHAIN Incl 6 - 7
6	1 47960882		1 CONNECTING LINK
7	1 47960904		1 OFFSET LINK
8	47915546		1 SUPPORT
9	47471232		2 LATCH
10	9824840		8 WASHER 4.3mm ID x 9mm OD x 0.8mm Thk
11	86624182		4 WASHER 6.6mm ID x 18mm OD x 1.6mm Thk
12	10445221		4 SCREW Hex, M4 x 25mm, CI 8.8
13	9832203		4 HEX SOC SCREW M6 x 25mm, CI 8.8, Full Thd
14	86625075		4 NUT M4 x 0.7, CI 8
15	393392		4 LOCK NUT Prev Torque, M6 x 1, CI 8
(1)	MAINTENANCE PART		

Orkel GP 1270 Kombi/ Orkel GP 1270S

SECTION INDEX

TYING/WRAPPING

68.000.00	01	SECTION INDEX - TYING/WRAPPING/TWISTING
68.000.00	02	SECTION INDEX - TYING/WRAPPING/TWISTING
68.200.010		NET WRAPPER FRAME
68.200.020		NET WRAPPER DUCKBILL
68.200.030		NET WRAPPER DOOR
68.200.040		NET WRAPPER KNIFE AND SMOOTH ROLL
68.200.050		NET WRAPPER BRAKE LEVER
68.200.060		NET WRAPPER BRAKE PAD
68.200.070		DUCKBILL POSITION LEVER
68.200.110		PLASTIC WRAPPER LOWER FRAME
68.200.120		PLASTIC WRAPPER KNIFE
68.200.130		PLASTIC WRAPPER LEVER
68.200.140		PLASTIC WRAPPER UPPER ROLLERS
68.200.150		PLASTIC WRAPPER LOWER ROLLERS
68.200.160		PLASTIC WRAPPER ARMS
68.200.170		PLASTIC WRAPPER CHAIN DRIVE
68.200.210		COMBI WRAPPER SATELLITE DRIVE
68.200.220		COMBI WRAPPER SATELLITE ARMS
68.200.230		COMBI WRAPPER SATELLITE ROLLERS
68.200.240		COMBI WRAPPER LOADER
68.200.250		COMBI WRAPPER TABLE
68.200.260		COMBI WRAPPER TABLE ROLLERS
68.200.270		COMBI WRAPPER TABLE DRIVE
68.200.280		COMBI WRAPPERFILM CUTTER
68.200.290		COMBI WRAPPER BOX, LH & RH
68.200.300		QUARTER TURN
68.200.310		QUARTER TURN WHEEL
68.200.320		BALE DROP PROTECTION

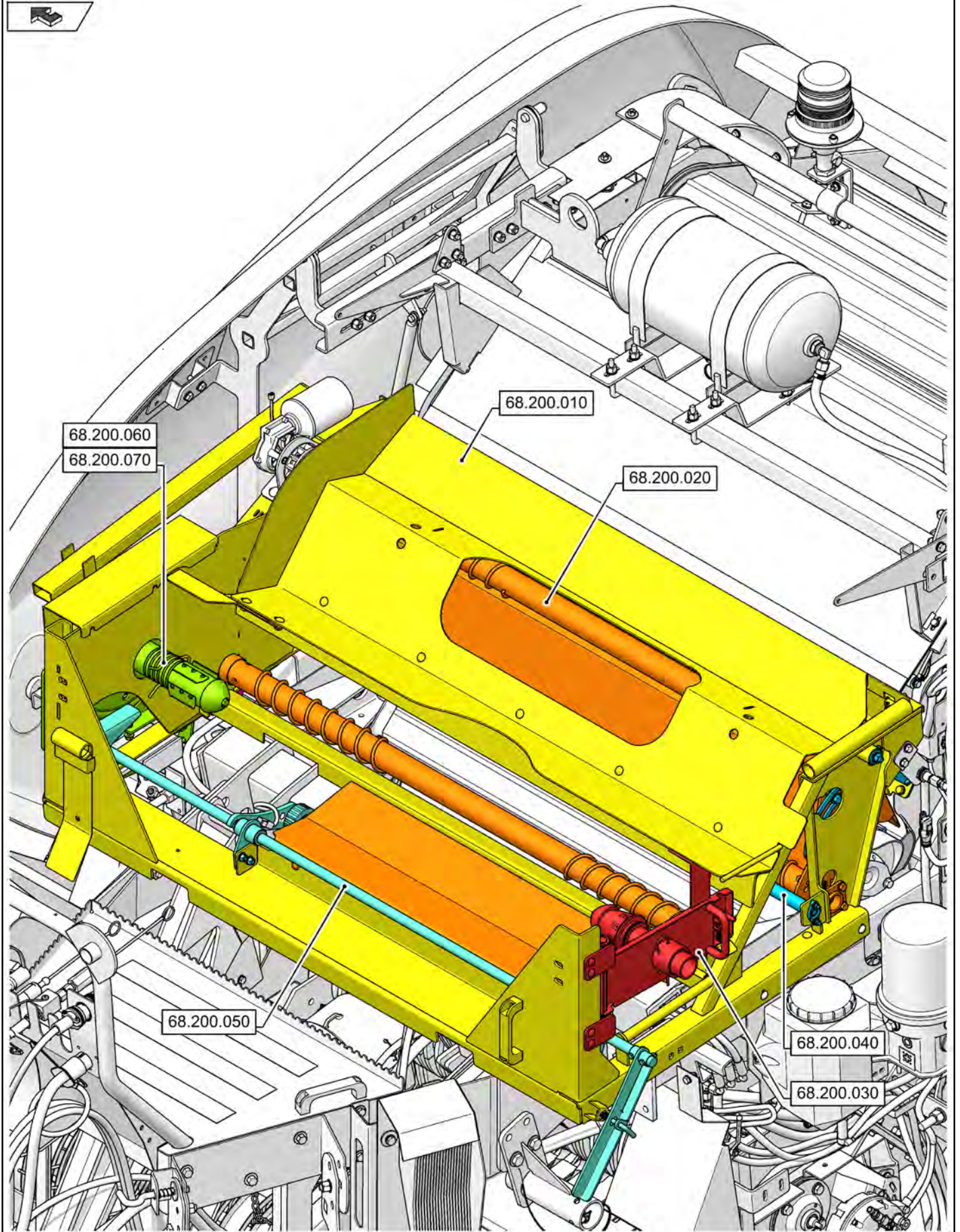
68.000.00

01

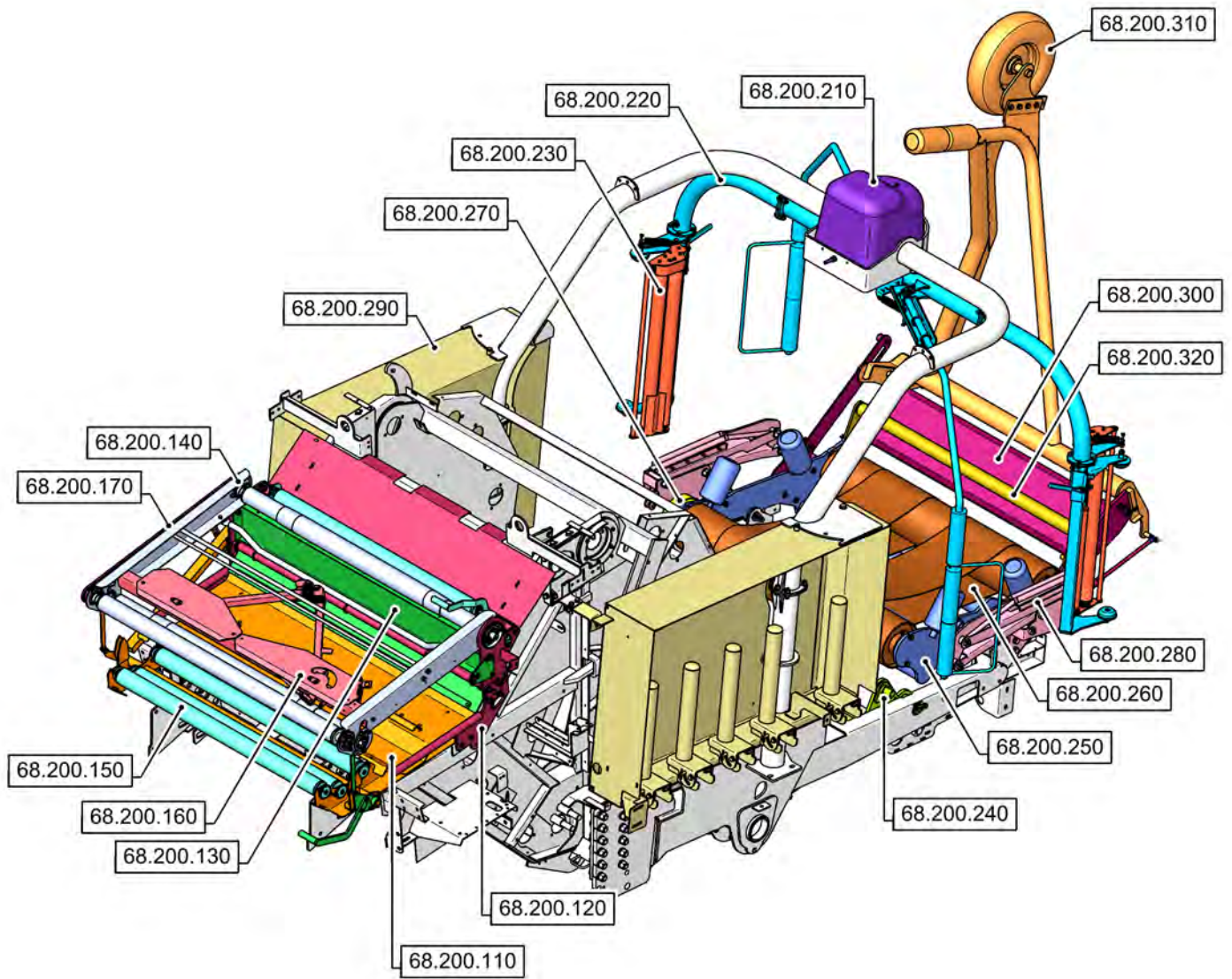
p1

4/2017

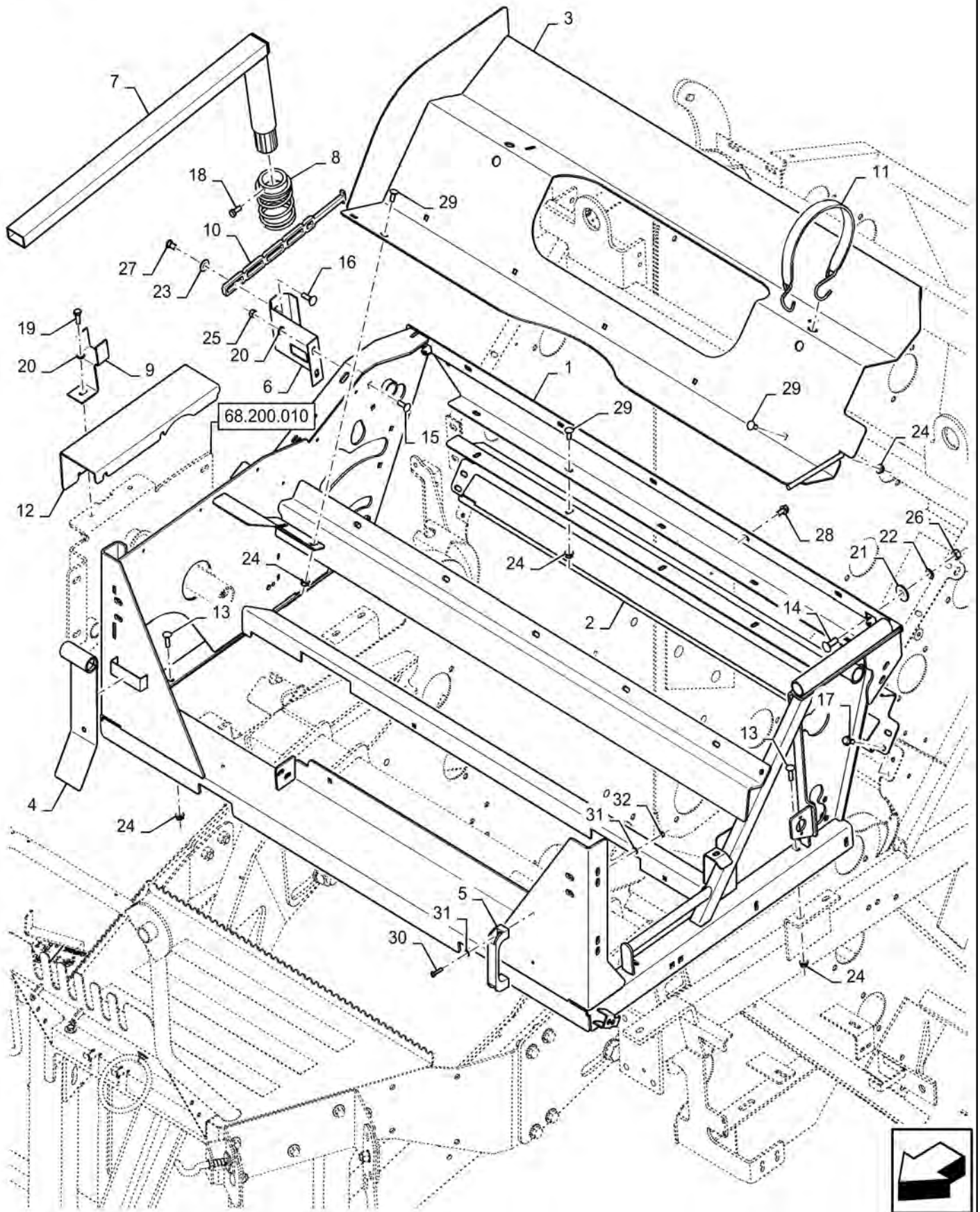
SECTION INDEX - TYING/WRAPPING/TWISTING



SECTION INDEX - TYING/WRAPPING/TWISTING



NET WRAPPER FRAME

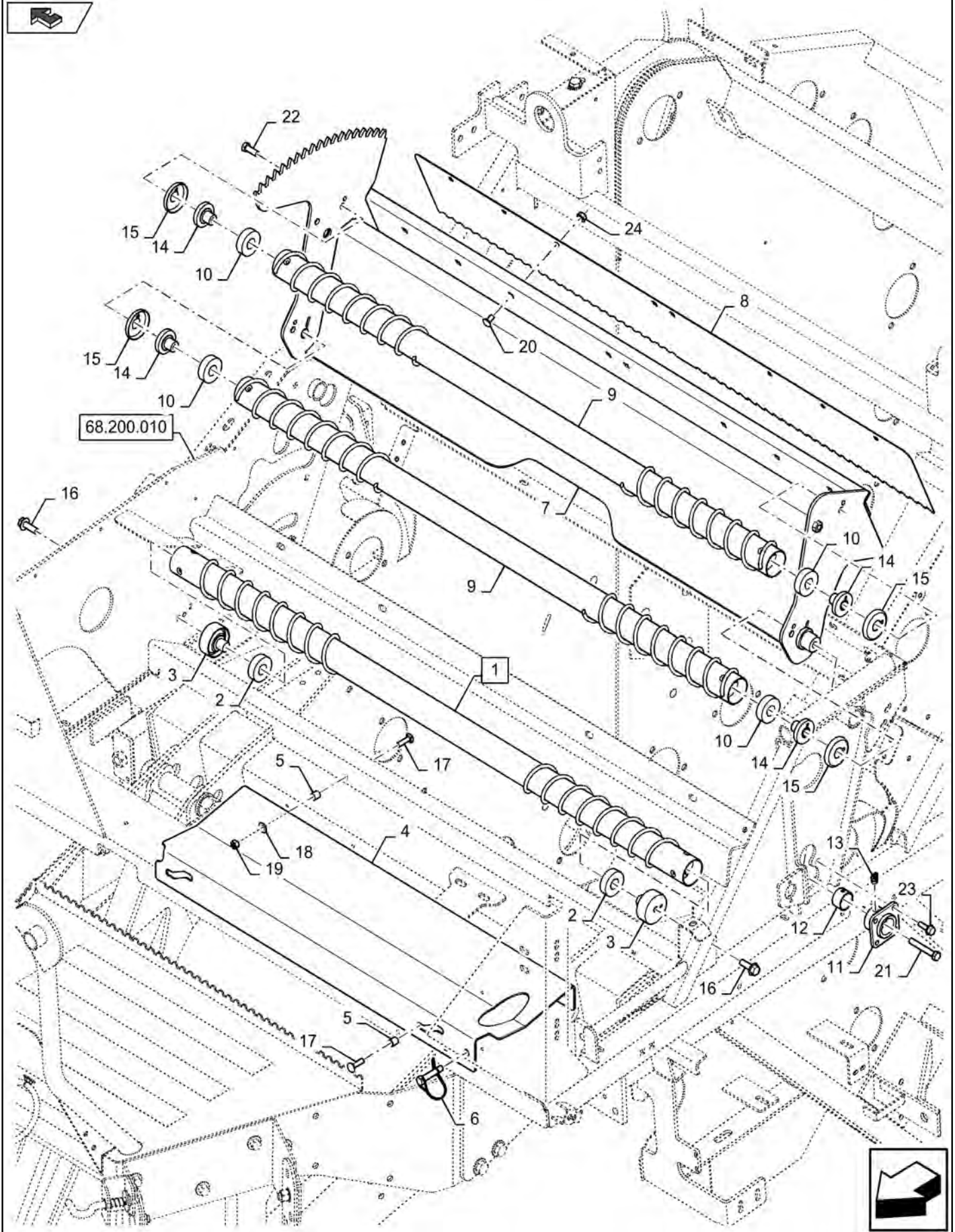


NET WRAPPER FRAME

REF FN	PART NUMBER	YR/SN	QTY DESCRIPTION
1	47699639		1 FRAME
2	47696929		1 PLATE
3	47696937		1 PLATE
4	47740217		1 SUPPORT
5	47440785		1 DOOR HANDLE
6	47816818		1 BRACKET
7	47501250		1 LEVER
8	47494643		1 SPRING
9	47816885		1 PLATE
10	47507317		1 STRAP
11	87020998		2 STRAP
12	47912670		1 SHIELD
13	120038		4 CARRIAGE BOLT Rnd Head, M8 x 1.25 x 30mm, CI 8.8, Full Thd
14	86512446		2 CARRIAGE BOLT M10 x 1.5 x 30mm, CI 8.8
15	308761		2 CARRIAGE BOLT M8 x 1.25 x 25mm, CI 8.8
16	43465		1 CARRIAGE BOLT Short NK, M8 x 30, CI 8.8, Full Thd
17	9804258		4 BOLT Hex, M8 x 1.25 x 20mm, CI 8.8
18	120104		1 BOLT Hex, M8 x 1.25 x 20mm, CI 8.8
19	43127		2 BOLT Hex, M8 x 1.25 x 25mm, CI 8.8
20	86624184		4 WASHER 9mm ID x 16mm OD x 1.6mm Thk
21	140042		2 WASHER 11mm ID x 34mm OD x 3mm Thk
22	86624176		2 WASHER 11mm ID x 20mm OD x 2mm Thk
23	86639313		1 WASHER 9mm ID x 24mm OD x 2mm Thk
24	9804277		16 FLANGE NUT Hex, M8 x 1.25, CI 8
25	437013		2 NUT
26	84100524		2 NUT M10 x 1.5, CI 8
27	47500291		1 NUT
28	86511841		5 BOLT Flng, M8 x 1.25 x 16mm, Full Thd, CI 8.8
29	86507486		12 CARRIAGE BOLT M8 x 1.25 x 20mm, CI 8.8
30	86585710		2 SCREW Phillips Drive, Pan HD, M5 x 25mm, CI 4.8
31	9824326		4 WASHER 5.3mm ID x 10mm OD x 1mm Thk
32	86639241		2 NUT Prev Torque, M5 x 0.8, CI 8

Orkel GP 1270 Kombi/ Orkel GP 1270S

NET WRAPPER DUCKBILL

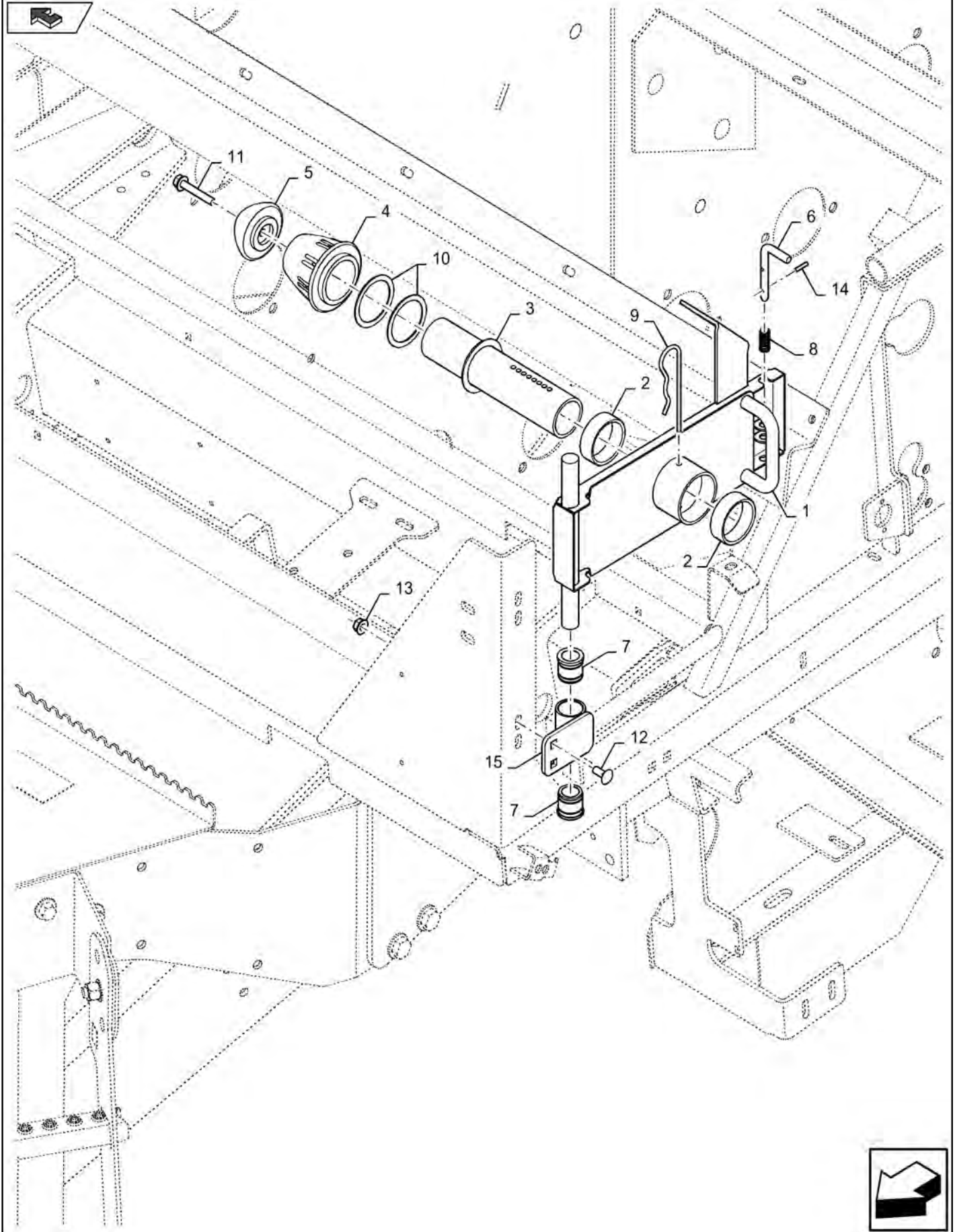


NET WRAPPER DUCKBILL

REF FN	PART NUMBER	YR/SN	QTY DESCRIPTION
1	87397756		1 ROLL 50.8mm OD x 1327mm L Incl 2
2	27291		2 BALL BEARING 20mm ID x 47mm OD x 14mm W
3	47706418		2 ROLL
4	47672771		1 FLOOR
5	47732978		1 SPACER
6	87017328		1 PIN 9.53mm OD
7	47677102		1 FRAME
8	47655442		1 BAFFLE
9	47655496		1 ROLL
10	27291		2 BALL BEARING 20mm ID x 47mm OD x 14mm W
11	47677196		1 HUB
12	420434		1 BUSHING 30mm ID x 34mm OD x 20mm L
13	80720		1 LUBE NIPPLE 30 Degree, 1/8"-27 NPT x .91" lg
14	87643130		4 SUPPORT
15	86622552		4 SHIELD
16	9804262		2 BOLT M10 x 39.2mm, CI 8.8
17	120038		4 CARRIAGE BOLT Rnd Head, M8 x 1.25 x 30mm, CI 8.8, Full Thd
18	322358		4 BELLEVILLE WASHER M8 Bolt Size x 18mm OD x 1.4mm Thk
19	437013		4 NUT
20	86619060		4 CARRIAGE BOLT M8 x 1.25 x 16mm, CI 8.8
21	87936		2 BOLT Hex, 3/8" - 16 x 2 1/2", Gr 5
22	88206		2 BOLT Hex, 3/8" - 16 x 1", Gr 5
23	9671714		8 FLANGE BOLT Hex, M8 x 1.25 x 25mm, CI 8.8
24	9804277		4 FLANGE NUT Hex, M8 x 1.25, CI 8

Orkel GP 1270 Kombi/ Orkel GP 1270S

NET WRAPPER DOOR

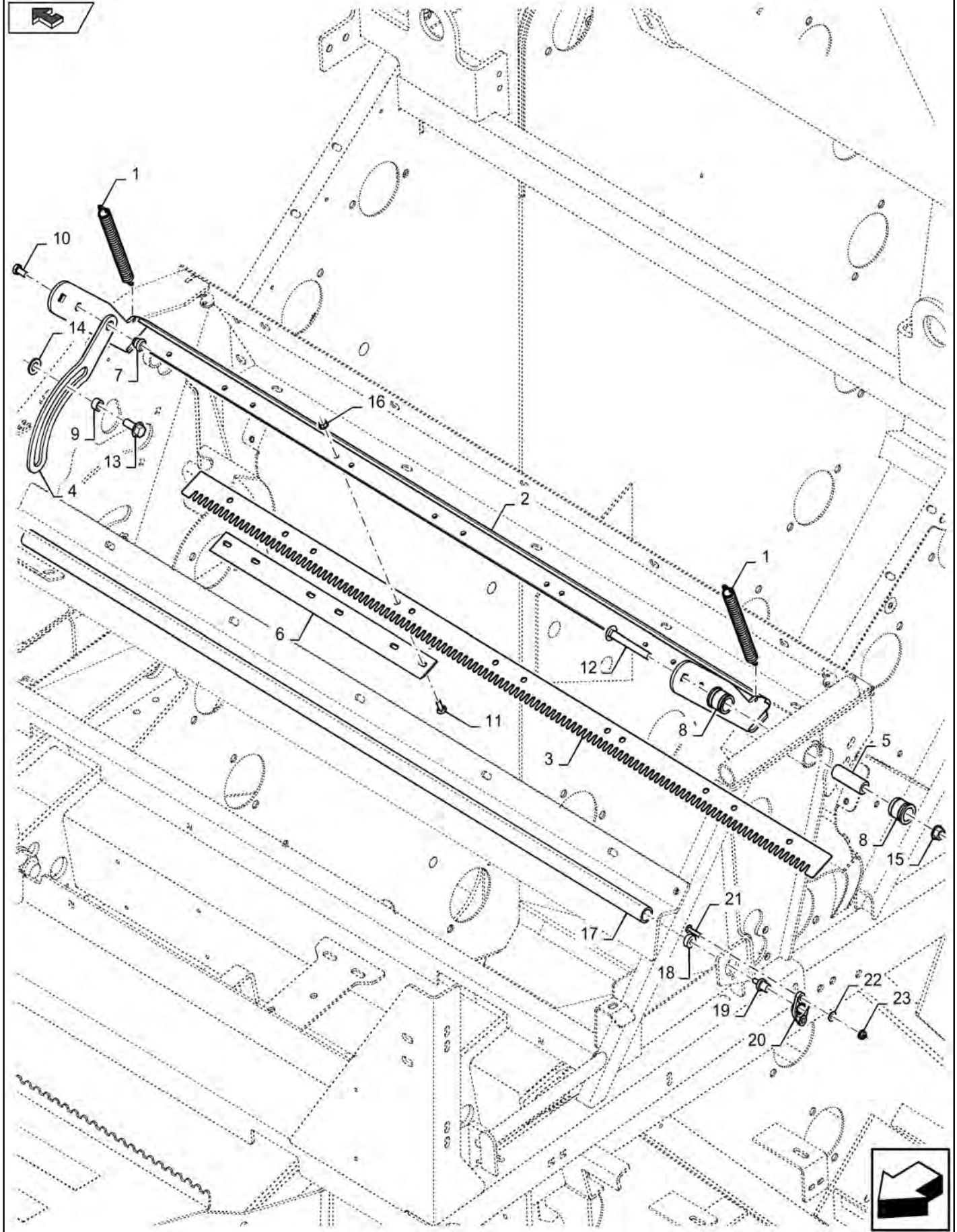


NET WRAPPER DOOR

REF FN	PART NUMBER	YR/SN	QTY DESCRIPTION
1	47696884		1 DOOR
2	86617942		2 BUSHING 48.96mm ID x 57.23mm OD x 19.1mm L
3	47696822		1 TUBE
4	86540330		1 GUIDE
5	47665489		1 GUIDE
6	47694326		1 ROD
7	47651831		4 BUSHING
8	29840		1 SPRING Compression, 11.91mm OD x 25.4mm L
9	86601285		1 COTTER PIN 26mm OD x 118.5mm L
10	87016189		2 WASHER 51.18mm ID x 63.5mm OD x 1.65mm Thk
11	87015928		1 BOLT
12	86507486		4 CARRIAGE BOLT M8 x 1.25 x 20mm, CI 8.8
13	9804277		4 FLANGE NUT Hex, M8 x 1.25, CI 8
14	86977758		2 LOCK PIN 5/32" x 3/4", Slotted
15	47691311		2 SUPPORT

Orkel GP 1270 Kombi/ Orkel GP 1270S

NET WRAPPER KNIFE AND SMOOTH ROLL

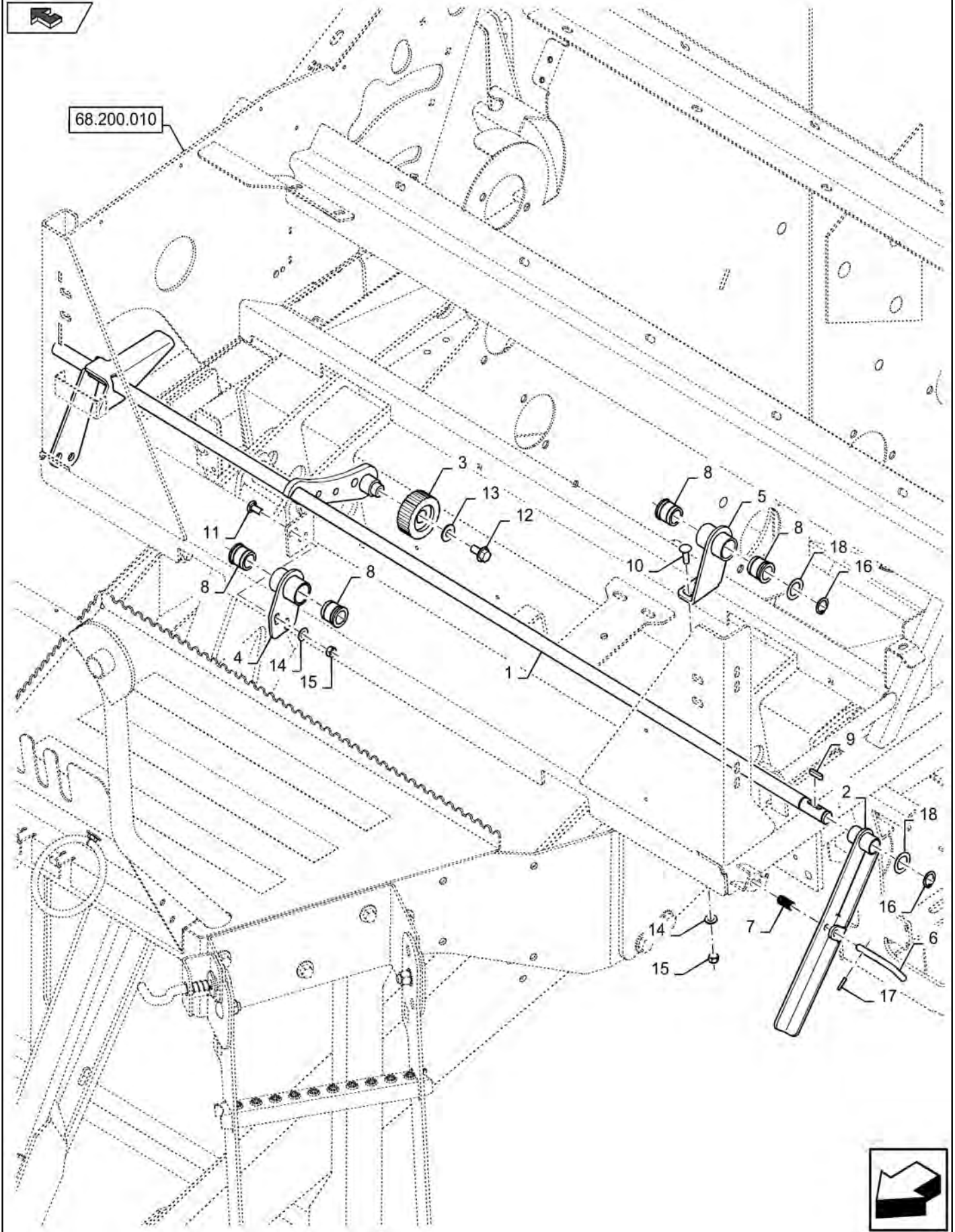


NET WRAPPER KNIFE AND SMOOTH ROLL

REF FN	PART NUMBER	YR/SN	QTY DESCRIPTION
1	27310		2 SPRING
2	47656088		1 SUPPORT
3	47787216		1 PLATE
4	47923741		2 ARM
5	47663564		2 SPACER
6	1 86593724		3 KNIFE 445.8mm L x 38.1mm W x 3.4mm Thk
7	47683381		2 BUSHING
8	47651831		4 BUSHING
9	698748		2 BUSHING 10.3mm ID x 15.88mm OD x 9.53mm L
10	43232		2 BOLT Hex, M8 x 16mm, CI 10.9
11	9706703		12 CARRIAGE BOLT Sht Sq Nk, M6 x 1 x 20mm, CI 8.8, Full Thd
12	412189		2 CARRIAGE BOLT Short Sq Nk, M10 x 1.5 x 80mm, CI 8.8
13	9804261		2 BOLT Hex, M10 x 25mm, CI 8.8, Full Thd
14	86511324		2 WASHER 13mm ID x 24mm OD x 2.5mm Thk
15	9804278		2 FLANGE NUT M10 x 1.5, CI 8
16	9804276		12 FLANGE NUT Hex, M6 x 1, CI 8
17	47868300		1 SHAFT
18	47751055		2 BALL BEARING
19	47709227		2 SUPPORT
20	47747997		2 BUSHING
21	84464		4 SCREW Slotted Truss Hd, #10 - 24 x 1"
22	322357		4 BELLEVILLE WASHER M6 Bolt Size x 14mm OD x 1.3mm Thk
23	523310		4 SERRATED NUT Flng, #10 - 24, Gr 5
(1)	MAINTENANCE PART		

Orkel GP 1270 Kombi/ Orkel GP 1270S

NET WRAPPER BRAKE LEVER

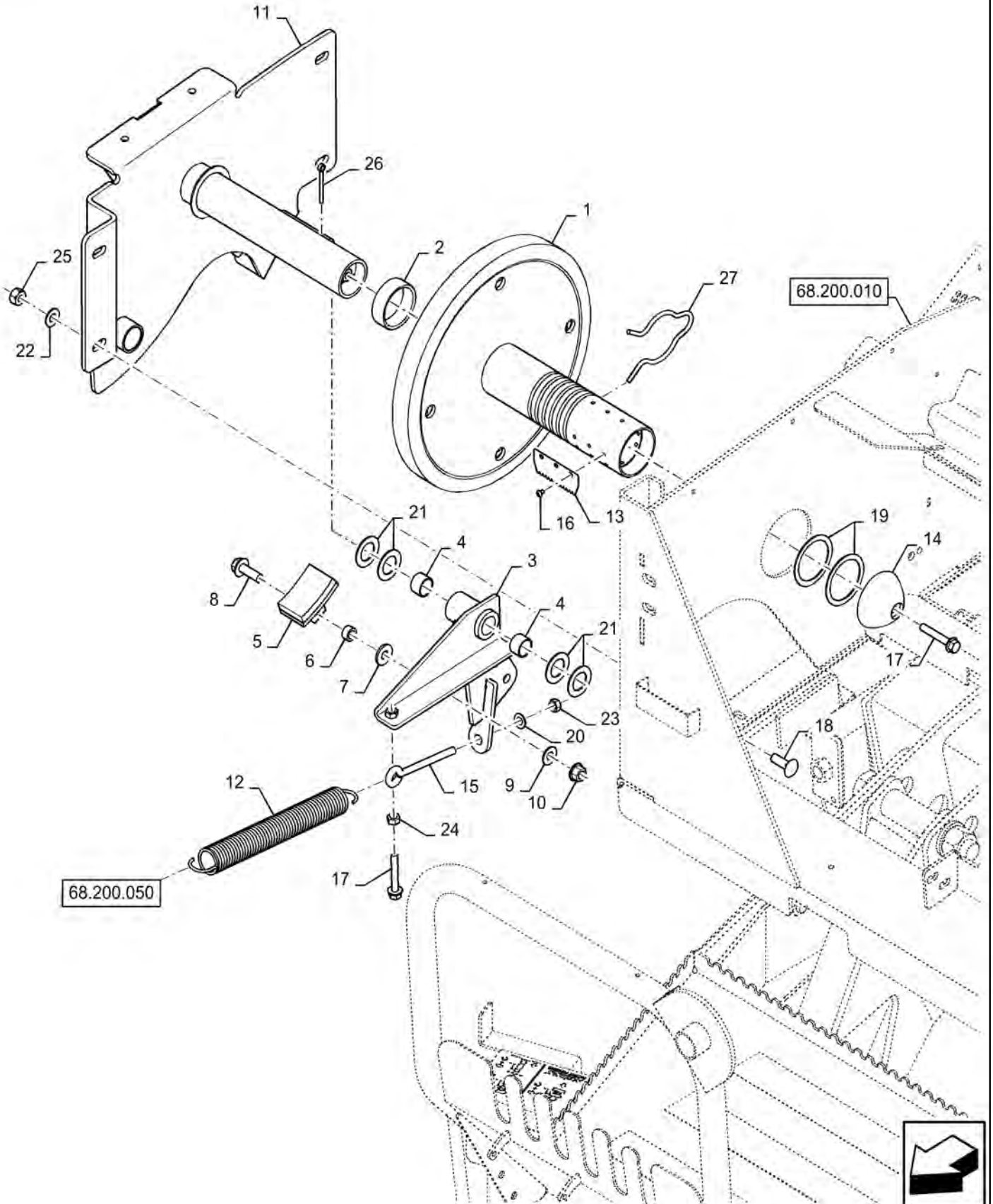


NET WRAPPER BRAKE LEVER

REF FN	PART NUMBER	YR/SN	QTY DESCRIPTION
1	47696742		1 SHAFT
2	48029158		1 LOCKING HANDLE
3	84569292		1 ROLLER
4	47739502		1 SUPPORT
5	47666870		1 SUPPORT
6	47694326		1 ROD
7	29840		1 SPRING Compression, 11.91mm OD x 25.4mm L
8	47651831		4 BUSHING
9	47447743		1 KEY 6mm x 6mm x 25mm
10	308761		2 CARRIAGE BOLT M8 x 1.25 x 25mm, CI 8.8
11	86507486		2 CARRIAGE BOLT M8 x 1.25 x 20mm, CI 8.8
12	86050286		1 FLANGE BOLT M10 x 20mm, CI 8.8
13	80702		1 WASHER 0.44" ID x 1" OD x 0.08" Thk
14	322358		4 BELLEVILLE WASHER M8 Bolt Size x 18mm OD x 1.4mm Thk
15	437013		4 NUT
16	300627		2 SNAP RING M19, External
17	86977758		2 LOCK PIN 5/32" x 3/4", Slotted
18	47468357		6 SHIM 20mm ID x 32mm OD x 1mm Thk

Orkel GP 1270 Kombi/ Orkel GP 1270S

NET WRAPPER BRAKE PAD

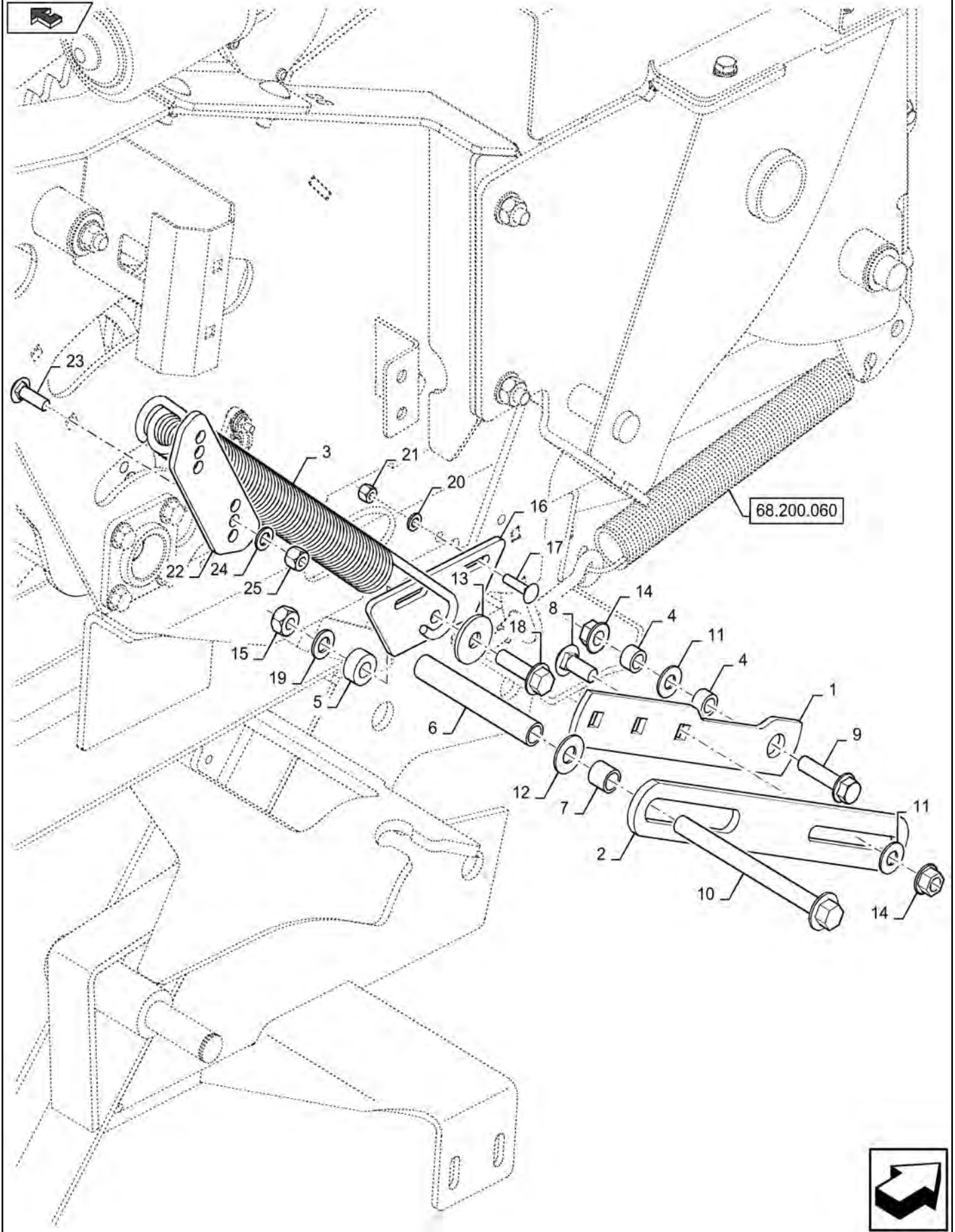


NET WRAPPER BRAKE PAD

REF FN	PART NUMBER	YR/SN	QTY DESCRIPTION
1	47665507		1 DRUM BRAKE ASSY
2	86617942		2 BUSHING 48.96mm ID x 57.23mm OD x 19.1mm L
3	47663023		1 SUPPORT
4	84024585		2 BUSHING 20mm ID x 23mm OD x 15mm Thk
5	86641342		1 BRAKE PAD 17.37mm Thk
6	84024749		1 SPACER 10.5mm ID x 16mm OD x 8.5mm L
7	9827956		1 WASHER 10.3mm ID x 25.4mm OD x 2.67mm Thk
8	9804262		1 BOLT M10 x 39.2mm, CI 8.8
9	140045		1 BELLEVILLE WASHER M10 Bolt Size x 22mm OD x 1.6mm Thk
10	9804278		1 FLANGE NUT M10 x 1.5, CI 8
11	47665466		1 SUPPORT
12	86640785		1 SPRING Extension, 31.75mm OD x 120.65mm L
13	86627923		4 STRIP
14	47665489		1 GUIDE
15	144403		1 EYEBOLT
16	87684280		12 SELF-TAP SCREW Pan, #8 - 18 x 1/4"
17	87015928		2 BOLT
18	86512446		4 CARRIAGE BOLT M10 x 1.5 x 30mm, CI 8.8
19	87016189		2 WASHER 51.18mm ID x 63.5mm OD x 1.65mm Thk
20	87347		1 WASHER 0.34" ID x 0.69" OD x 0.07" Thk
21	86624166		6 WASHER 0.91" ID x 1.5" OD x 0.06" Thk
22	140045		4 BELLEVILLE WASHER M10 Bolt Size x 22mm OD x 1.6mm Thk
23	9635082		2 NUT 5/16" - 18, Gr 5
24	9706690		1 NUT M8 x 1.25, CI 8
25	8475948		4 NUT M10 x 1.5, CI 8
26	280251		1 COTTER PIN 3/32" OD x 1" OAL
27	47680951		1 HAIR PIN COTTER

Orkel GP 1270 Kombi/ Orkel GP 1270S

DUCKBILL POSITION LEVER

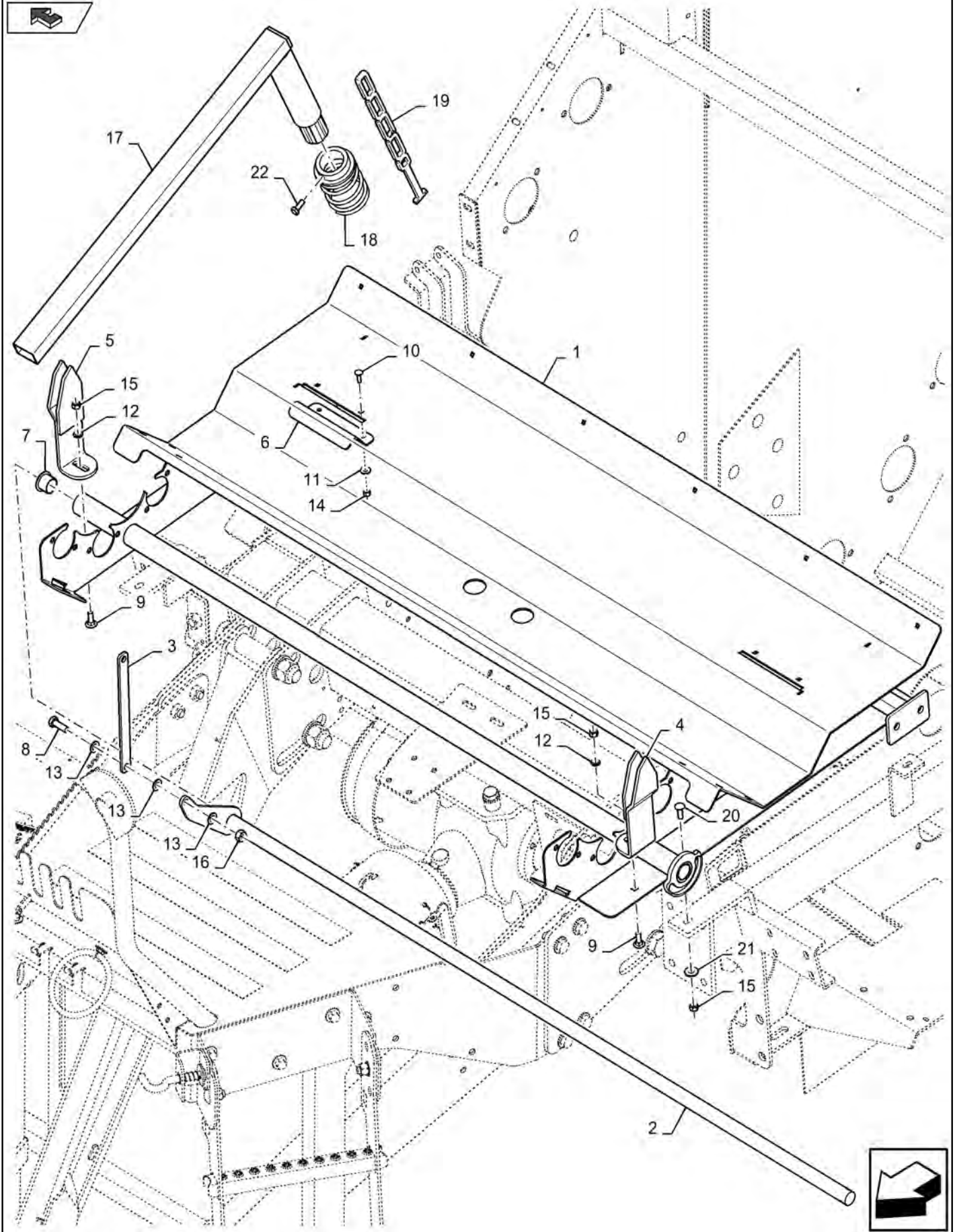


DUCKBILL POSITION LEVER

REF FN	PART NUMBER	YR/SN	QTY DESCRIPTION
1	84568800		1 PLATE
2	84568797		1 ANGLE
3	87028495		1 SPRING
4	698748		2 BUSHING 10.3mm ID x 15.88mm OD x 9.53mm L
5	47873307		1 SPACER
6	47731493		1 SPACER
7	47731495		1 SPACER
8	86633356		2 CARRIAGE BOLT M10 x 34.8mm, CI 8.8
9	9846918		1 BOLT Hex Flg, M10 x 40mm
10	86561786		1 BOLT
11	140045		3 BELLEVILLE WASHER M10 Bolt Size x 22mm OD x 1.6mm Thk
12	140046		1 BELLEVILLE WASHER M12 Bolt Size x 27mm OD x 1.8mm Thk
13	140042		1 WASHER 11mm ID x 34mm OD x 3mm Thk
14	9804278		3 FLANGE NUT M10 x 1.5, CI 8
15	84100524		1 NUT M10 x 1.5, CI 8
16	47923039		1 PLATE
17	374891		2 CARRIAGE BOLT Rnd Head, M6 x 1 x 25mm, CI 8.8
18	86511845		1 BOLT M10 x 44.2mm OAL, CI 8.8, Full Thd
19	86624176		1 WASHER 11mm ID x 20mm OD x 2mm Thk
20	86588450		2 WASHER 6.6mm ID x 12mm OD x 1.6mm Thk
21	393392		2 LOCK NUT Prev Torque, M6 x 1, CI 8
22	47796785		1 BRACKET
23	308761		2 CARRIAGE BOLT M8 x 1.25 x 25mm, CI 8.8
24	86624184		2 WASHER 9mm ID x 16mm OD x 1.6mm Thk
25	393393		2 NUT

Orkel GP 1270 Kombi/ Orkel GP 1270S

PLASTIC WRAPPER LOWER FRAME

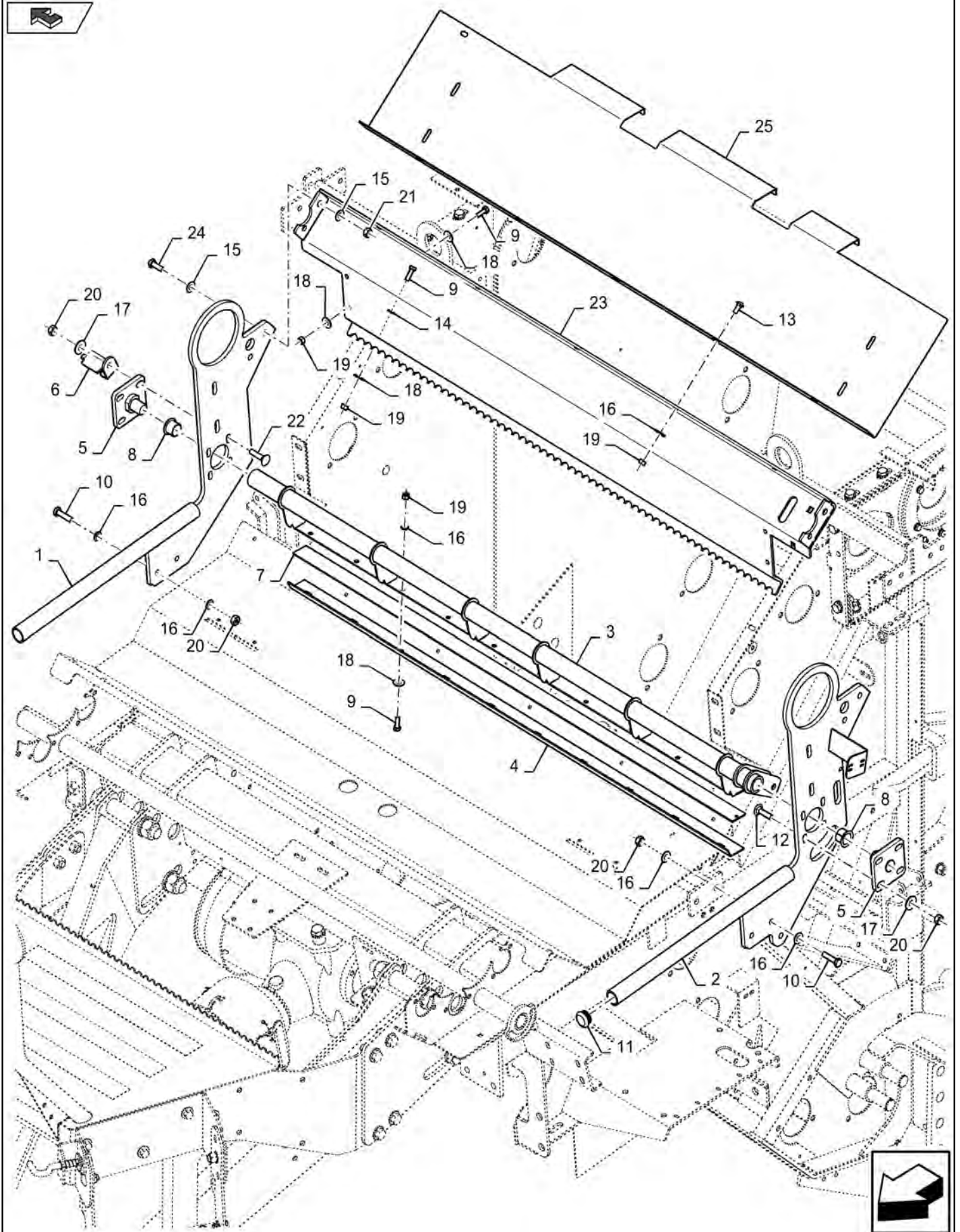


PLASTIC WRAPPER LOWER FRAME

REF FN	PART NUMBER	YR/SN	QTY DESCRIPTION
1	47856477		1 FRAME
2	47474156		1 ROD
3	48010784		1 PLATE
4	47521133		1 BRACKET
5	47521113		1 PLATE
6	47855949		2 PLATE
7	47456964		1 BUSHING
8	43140		1 BOLT Hex, M10 x 1.5 x 30mm, CI 8.8
9	86636815		2 CARRIAGE BOLT Sq Nk, M8 x 25mm, CI 8.8, Full Thd
10	9706703		4 CARRIAGE BOLT Sht Sq Nk, M6 x 1 x 20mm, CI 8.8, Full Thd
11	86624182		4 WASHER 6.6mm ID x 18mm OD x 1.6mm Thk
12	86624184		2 WASHER 9mm ID x 16mm OD x 1.6mm Thk
13	86511323		3 WASHER 10.5mm ID x 20mm OD x 2mm Thk
14	393392		4 LOCK NUT Prev Torque, M6 x 1, CI 8
15	437013		6 NUT
16	84100524		1 NUT M10 x 1.5, CI 8
17	47501250		1 LEVER
18	47494643		1 SPRING
19	47507317		1 STRAP
20	308761		4 CARRIAGE BOLT M8 x 1.25 x 25mm, CI 8.8
21	86639313		4 WASHER 9mm ID x 24mm OD x 2mm Thk
22	120104		1 BOLT Hex, M8 x 1.25 x 20mm, CI 8.8

Orkel GP 1270 Kombi/ Orkel GP 1270S

PLASTIC WRAPPER KNIFE



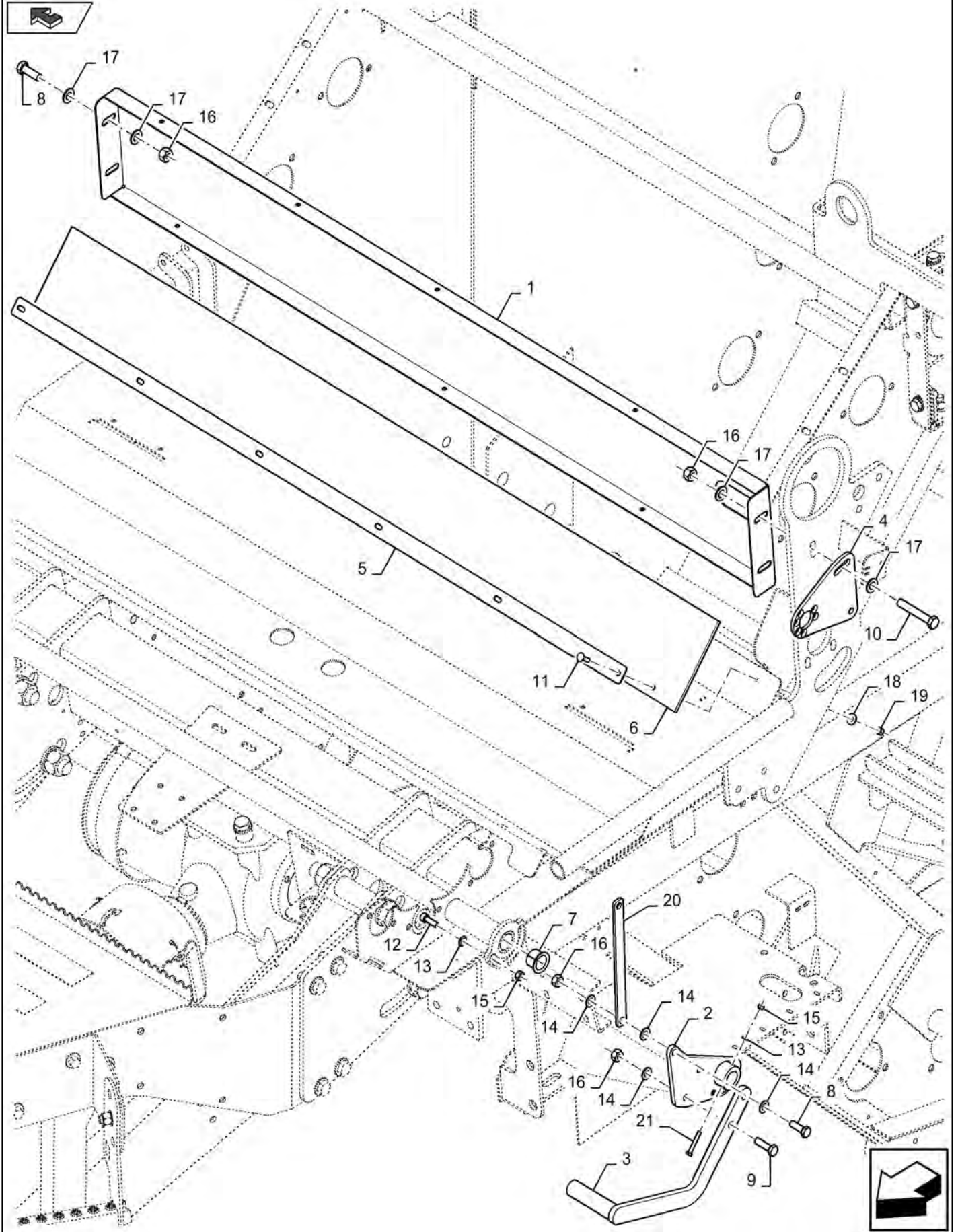
PLASTIC WRAPPER KNIFE

REF FN	PART NUMBER	YR/SN	QTY DESCRIPTION
1	47925109		1 SUPPORT
2	47815111		1 SUPPORT
3	47460594		1 SUPPORT
4	47474935		1 PLATE
5	47456285		2 SUPPORT
6	48045348		1 PLATE
7	1 47451341		1 KNIFE
8	47456964		2 BUSHING
9	43127		16 BOLT Hex, M8 x 1.25 x 25mm, CI 8.8
10	120112		4 BOLT Hex, M10 x 1.5 x 40mm, CI 8.8, Full Thd
11	47456980		2 PLUG
12	43473		7 CARRIAGE BOLT Sq Nk, M10 x 1.5 x 40mm, CI 8.8, Full Thd
13	86507486		5 CARRIAGE BOLT M8 x 1.25 x 20mm, CI 8.8
14	86624184		12 WASHER 9mm ID x 16mm OD x 1.6mm Thk
15	86511324		4 WASHER 13mm ID x 24mm OD x 2.5mm Thk
16	86511323		13 WASHER 10.5mm ID x 20mm OD x 2mm Thk
17	86642464		4 WASHER 11mm ID x 30mm OD x 2.5mm Thk
18	86639313		25 WASHER 9mm ID x 24mm OD x 2mm Thk
19	437013		16 NUT
20	84100524		8 NUT M10 x 1.5, CI 8
21	84278115		3 NUT
22	86512425		1 CARRIAGE BOLT Sq Nk, M10 x 45mm, CI 8.8
23	47460595		1 PLATE
24	300389		2 BOLT M12 x 1.75 x 35mm, CI 8.8
25	47880328		1 COVER

(1) MAINTENANCE PART

Orkel GP 1270 Kombi/ Orkel GP 1270S

PLASTIC WRAPPER LEVER

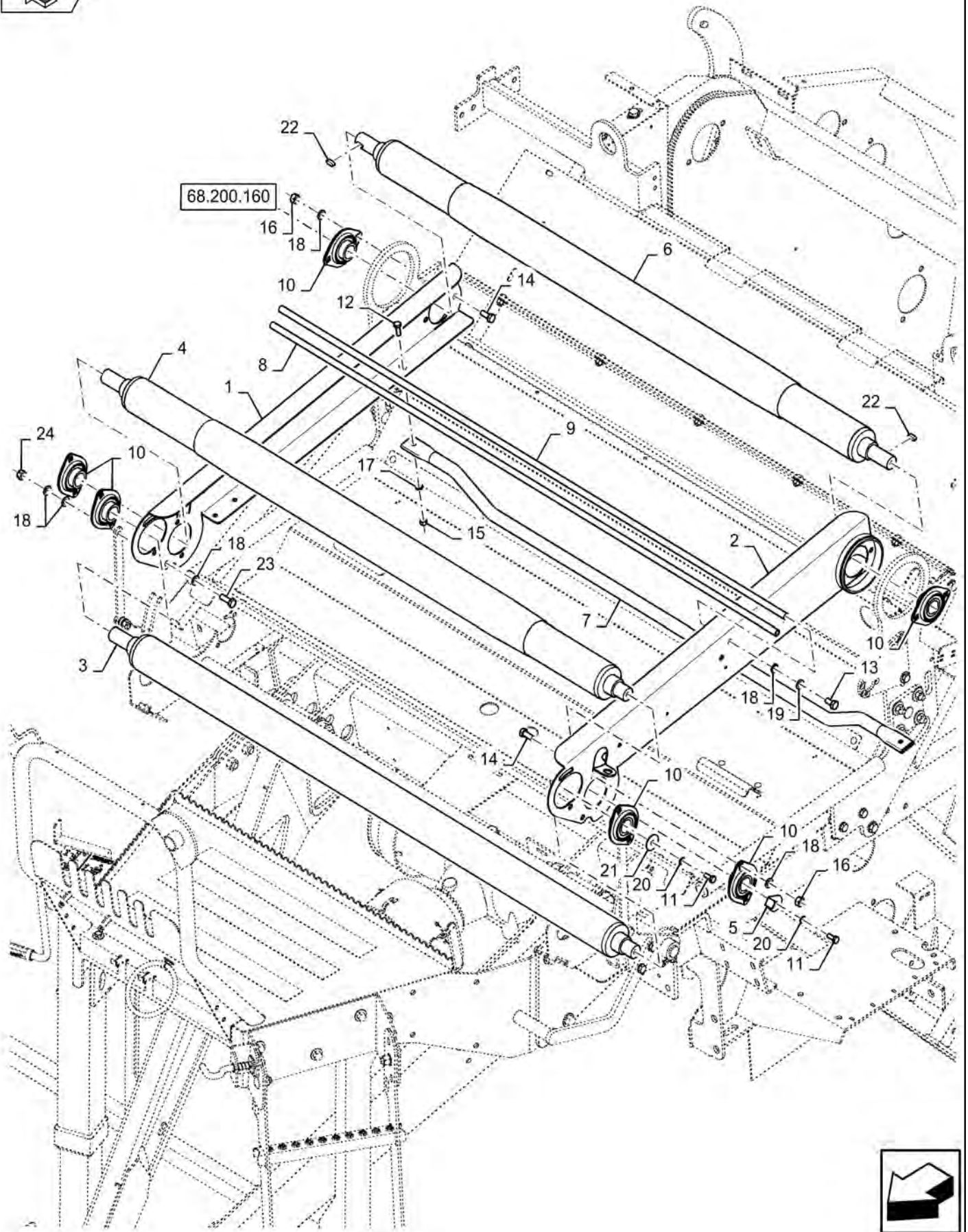


PLASTIC WRAPPER LEVER

REF FN	PART NUMBER	YR/SN	QTY DESCRIPTION
1	47887324		1 PLATE
2	48010867		1 PLATE
3	48010821		1 PLATE
4	47456322		1 PLATE
5	47855470		1 PLATE
6	47452435		1 PLATE
7	47456964		1 BUSHING
8	43140		3 BOLT Hex, M10 x 1.5 x 30mm, CI 8.8
9	9706704		2 BOLT Hex, M10 x 1.5 x 41.58mm, CI 8.8
10	120112		2 BOLT Hex, M10 x 1.5 x 40mm, CI 8.8, Full Thd
11	374891		6 CARRIAGE BOLT Rnd Head, M6 x 1 x 25mm, CI 8.8
12	86625220		2 HEX SOC SCREW M8 x 25mm, CI 8.8
13	86624184		3 WASHER 9mm ID x 16mm OD x 1.6mm Thk
14	86511323		5 WASHER 10.5mm ID x 20mm OD x 2mm Thk
15	437013		3 NUT
16	84100524		11 NUT M10 x 1.5, CI 8
17	86625253		8 WASHER 11mm ID x 24mm OD x 2mm Thk
18	86624182		6 WASHER 6.6mm ID x 18mm OD x 1.6mm Thk
19	393392		6 LOCK NUT Prev Torque, M6 x 1, CI 8
20	48010784		1 PLATE
21	16044321		1 BOLT M8 x 1.25 x 55mm, CI 8.8

Orkel GP 1270 Kombi/ Orkel GP 1270S

PLASTIC WRAPPER UPPER ROLLERS

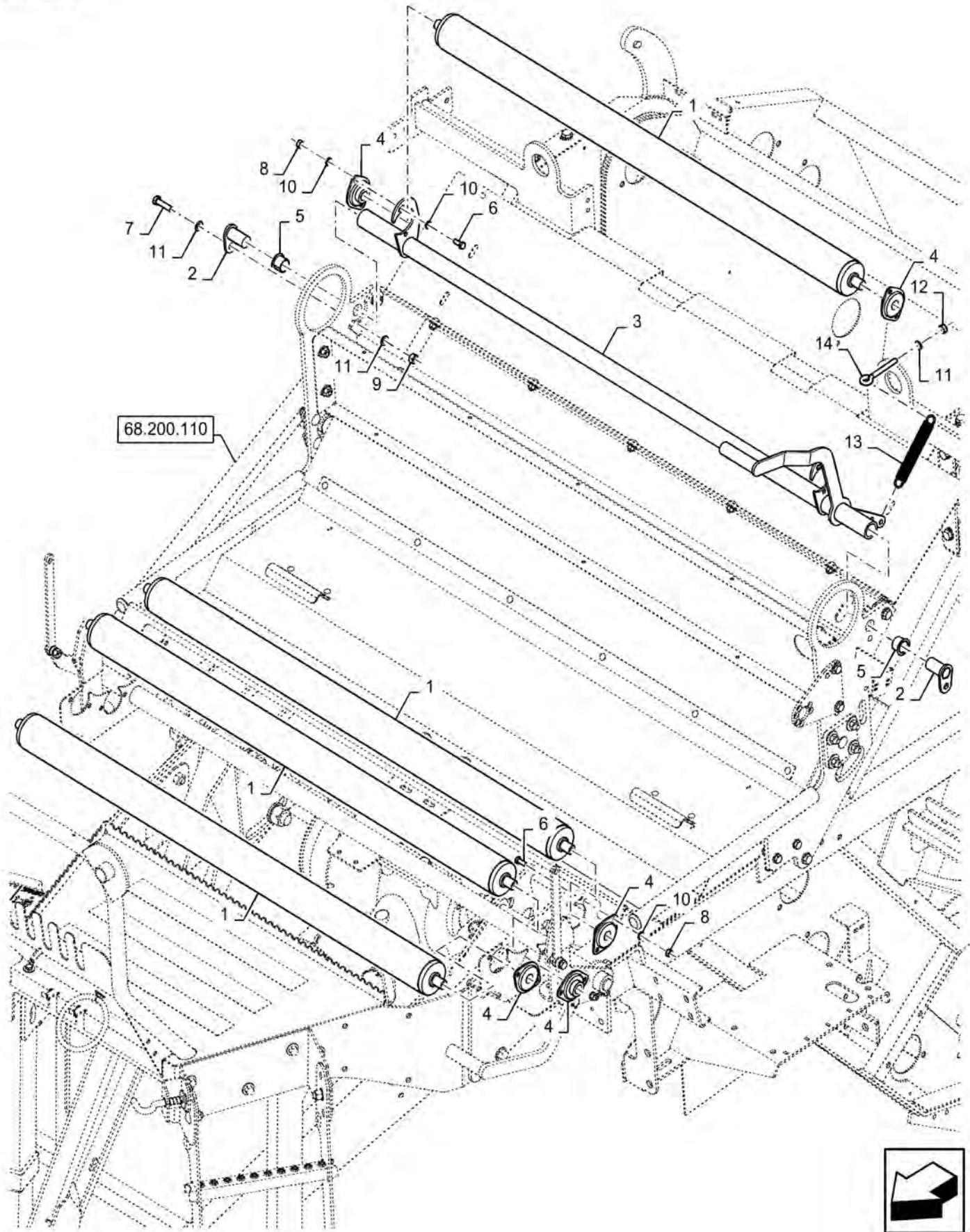


PLASTIC WRAPPER UPPER ROLLERS

REF FN	PART NUMBER	YR/SN	QTY DESCRIPTION
1	47856875		1 ARM
2	47855227		1 ARM
3	47474965		1 ROLLER
4	47475410		1 ROLLER
5	47475419		1 PLATE
6	47475424		1 ROLLER
7	47614406		1 SUPPORT
8	47475538		1 SUPPORT
9	47862616		1 TUBE
10	47456967		6 BEARING ASSY
11	120104		2 BOLT Hex, M8 x 1.25 x 20mm, CI 8.8
12	43127		2 BOLT Hex, M8 x 1.25 x 25mm, CI 8.8
13	43138		4 BOLT Hex, M10 x 1.5 x 20mm, CI 8.8
14	43139		12 BOLT M10 x 1.5 x 25mm, CI 8.8
15	437013		2 NUT
16	84100524		14 NUT M10 x 1.5, CI 8
17	86624184		2 WASHER 9mm ID x 16mm OD x 1.6mm Thk
18	86511323		24 WASHER 10.5mm ID x 20mm OD x 2mm Thk
19	10571879		4 LOCK WASHER 10.2mm ID x 18.1mm OD x 2.2mm Thk
20	10571774		2 LOCK WASHER 8.1mm ID x 14.8mm OD x 2mm Thk
21	47464002		1 WASHER
22	360956		3 KEY 8mm x 7mm x 20mm
23	86050233		2 BOLT Hex, M10 x 30, 8.8, Full Thd
24	100037		2 LOCK NUT M10 x 1.5, CI 8

Orkel GP 1270 Kombi/ Orkel GP 1270S

PLASTIC WRAPPER LOWER ROLLERS

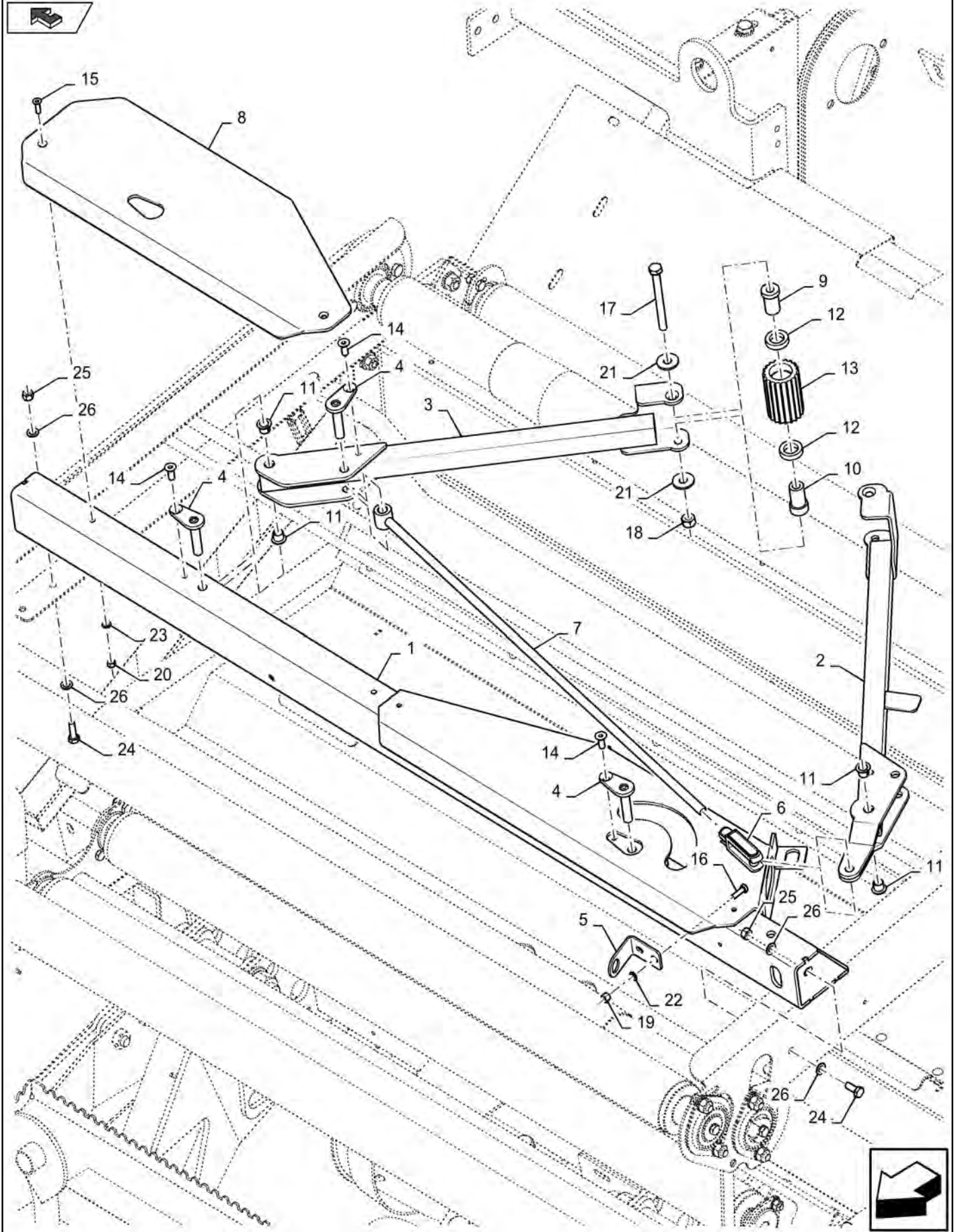


PLASTIC WRAPPER LOWER ROLLERS

REF FN	PART NUMBER	YR/SN	QTY DESCRIPTION
1	47475515		4 ROLLER
2	47456281		2 PIN
3	47461820		1 SUPPORT
4	47456958		8 BALL BEARING
5	47456964		2 BUSHING
6	120104		16 BOLT Hex, M8 x 1.25 x 20mm, CI 8.8
7	120112		2 BOLT Hex, M10 x 1.5 x 40mm, CI 8.8, Full Thd
8	437013		16 NUT
9	84100524		2 NUT M10 x 1.5, CI 8
10	86624184		20 WASHER 9mm ID x 16mm OD x 1.6mm Thk
11	86511323		4 WASHER 10.5mm ID x 20mm OD x 2mm Thk
12	100016		2 NUT M10 x 1.5, CI 8
13	47456292		1 SPRING
14	47463562		1 EYEBOLT

Orkel GP 1270 Kombi/ Orkel GP 1270S

PLASTIC WRAPPER ARMS

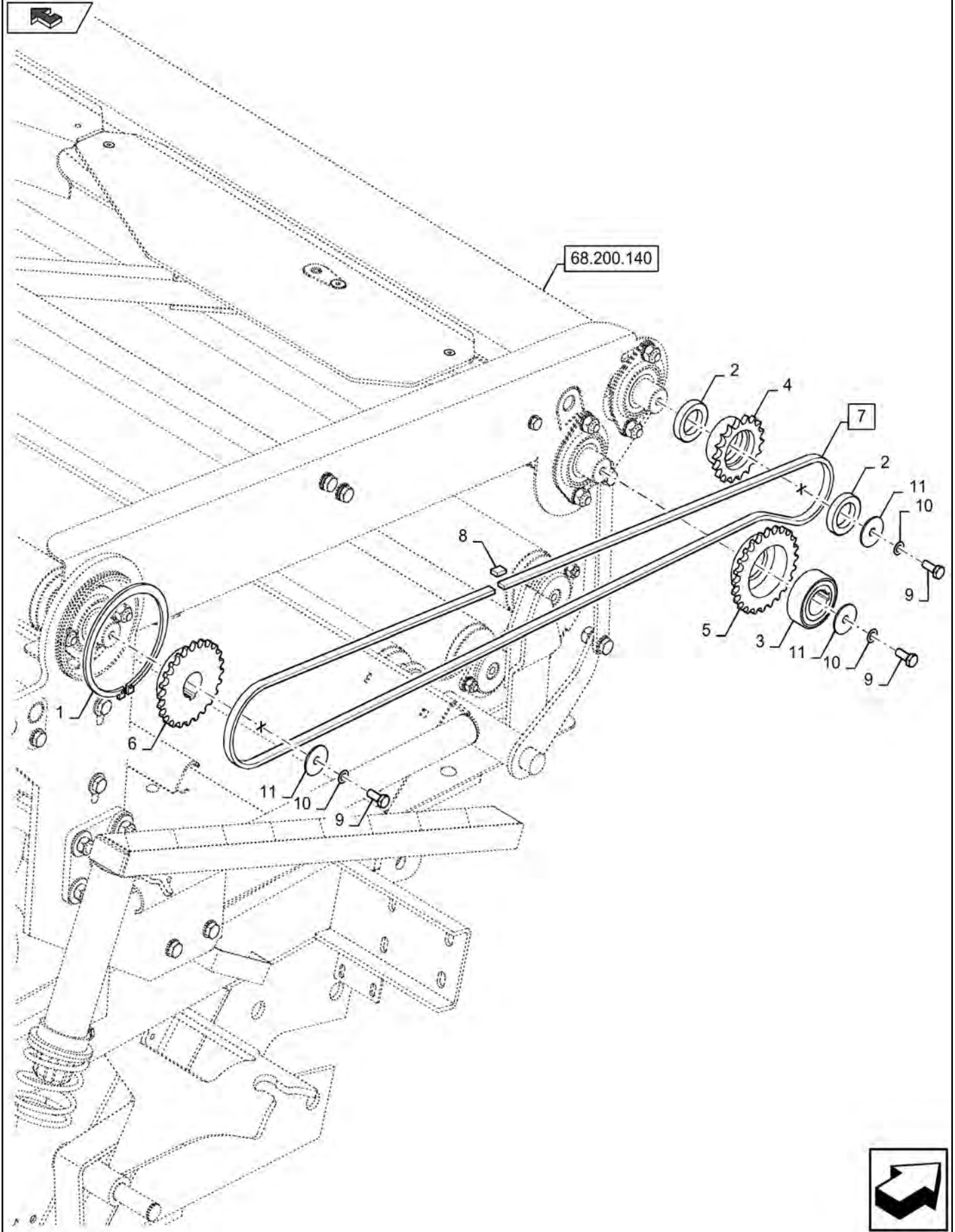


PLASTIC WRAPPER ARMS

REF FN	PART NUMBER	YR/SN	QTY DESCRIPTION
1	47750714		1 CROSSBAR
2	47750717		1 ARM
3	47461795		1 ARM
4	47455884		3 PIN
5	47475551		1 MOUNTING PLATE
6	47524529		1 FORK
7	47454179		1 CROSS
8	47522264		1 PLATE
9	47456291		2 BUSHING
10	47456289		2 BUSHING
11	47456965		4 BUSHING
12	47456959		4 BALL BEARING
13	47451347		2 SPROCKET
14	14442021		3 SCREW Flat Csk Hd, M8 x 1.25 x 20mm, CI 8.8
15	14441421		2 SCREW Flat Csk Hd, M6 x 20mm, CI 8.8
16	120100		2 BOLT M6 x 20mm, CI 8.8
17	120075		2 BOLT M10 x 1.5 x 106.58mm, CI 8.8
18	84100524		2 NUT M10 x 1.5, CI 8
19	393392		2 LOCK NUT Prev Torque, M6 x 1, CI 8
20	9706755		2 NUT M6, CI 8
21	86642464		4 WASHER 11mm ID x 30mm OD x 2.5mm Thk
22	9824259		2 WASHER 6.4mm ID x 12mm OD x 1.6mm Thk
23	86588450		2 WASHER 6.6mm ID x 12mm OD x 1.6mm Thk
24	43127		6 BOLT Hex, M8 x 1.25 x 25mm, CI 8.8
25	437013		6 NUT
26	86624184		12 WASHER 9mm ID x 16mm OD x 1.6mm Thk

Orkel GP 1270 Kombi/ Orkel GP 1270S

PLASTIC WRAPPER CHAIN DRIVE



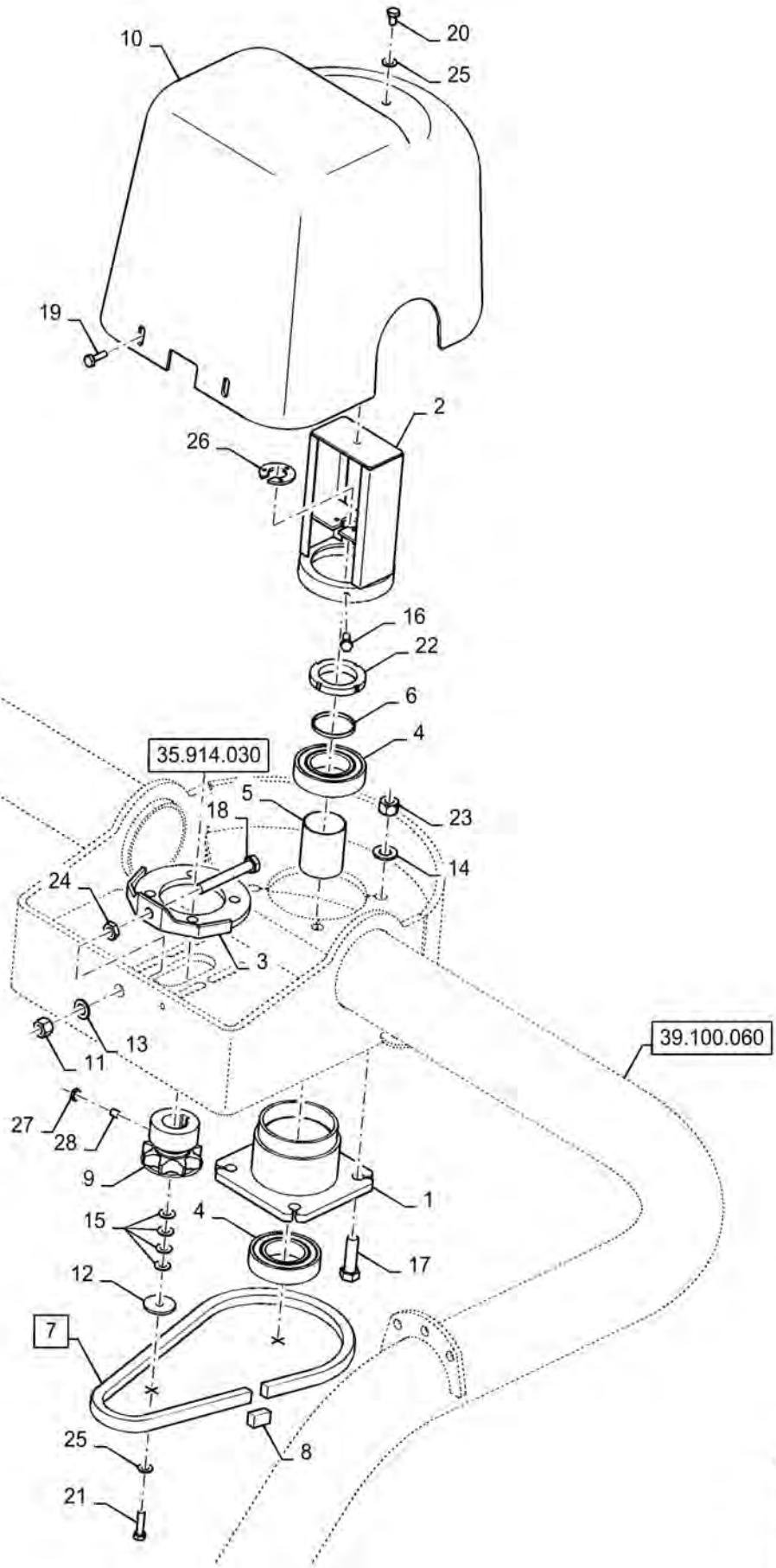
PLASTIC WRAPPER CHAIN DRIVE

REF FN	PART NUMBER	YR/SN	QTY DESCRIPTION
1	11083176		1 SNAP RING M125, Ext
2	47456960		2 BUSHING
3	47456963		1 BEARING ASSY
4	1 47451345		1 SPROCKET
5	1 47451342		1 SPROCKET
6	1 47451346		1 SPROCKET
7	1 47463637		1 CHAIN Incl 8
8	1 47461080		1 CHAIN
9	120104		3 BOLT Hex, M8 x 1.25 x 20mm, Cl 8.8
10	10571774		3 LOCK WASHER 8.1mm ID x 14.8mm OD x 2mm Thk
11	47464002		3 WASHER

(1) MAINTENANCE PART

Orkel GP 1270 Kombi/ Orkel GP 1270S

COMBI WRAPPER SATELLITE DRIVE



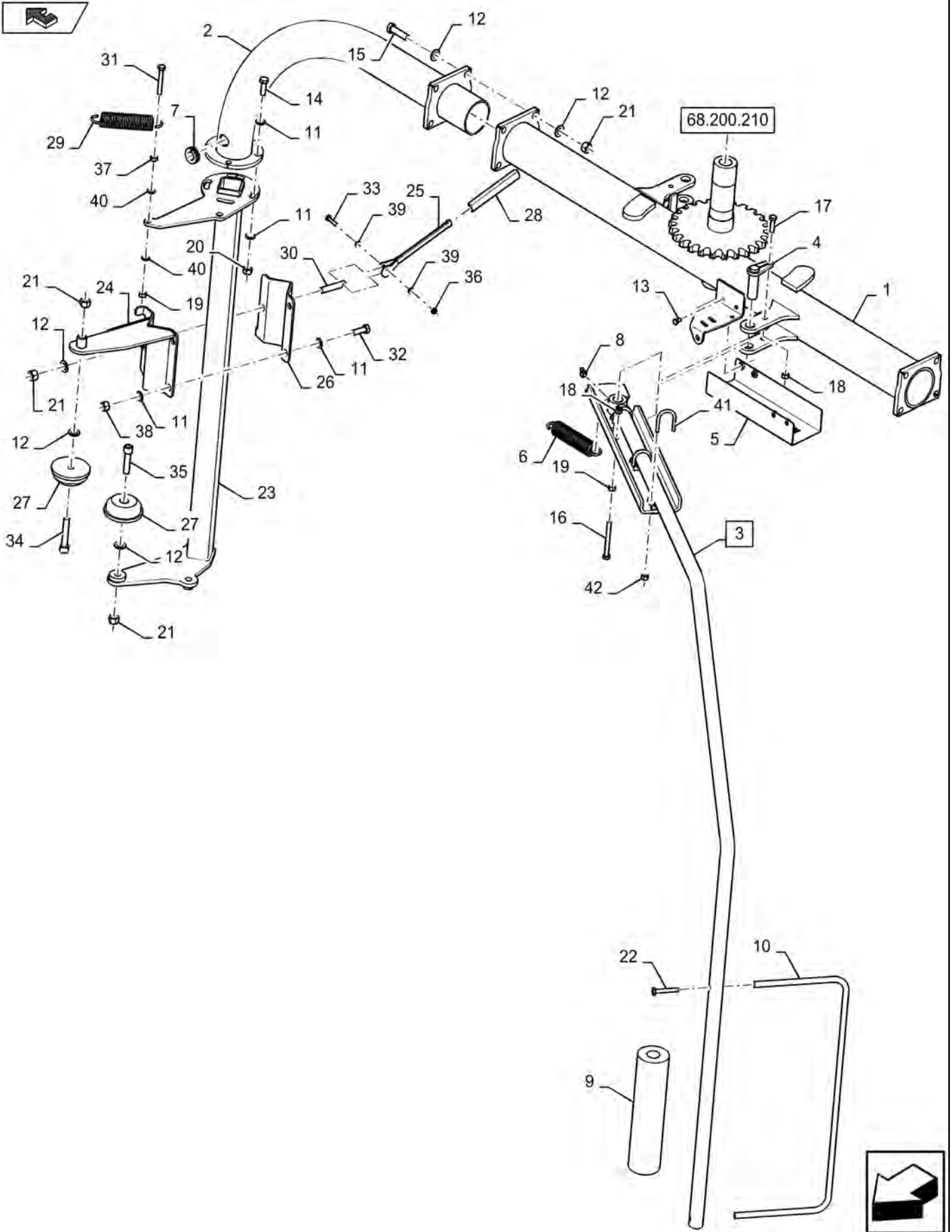
COMBI WRAPPER SATELLITE DRIVE

REF FN	PART NUMBER	YR/SN	QTY DESCRIPTION
1	47658744		1 BEARING HOUSING
2	47651399		1 BRACKET
3	47650292		1 ADJUSTING PLATE
4	47666593		2 BALL BEARING
5	47733254		1 SPACER
6	47733255		1 SPACER
7	1 47666599		1 CHAIN LINK Incl 8
8	1 47735944		1 LINK
9	1 48039866		1 SPROCKET
10	47752682		1 SHIELD
11	16105011		1 NUT Hex, M12 x 1.25, CI 8
12	47881979		1 WASHER
13	86511324		1 WASHER 13mm ID x 24mm OD x 2.5mm Thk
14	87389396		4 BELLEVILLE WASHER M14 Bolt Size x 30mm OD x 2.4mm Thk
15	12625201		4 WASHER 8.15mm ID x 20mm OD x 1mm Thk
16	120104		2 BOLT Hex, M8 x 1.25 x 20mm, CI 8.8
17	87672190		4 BOLT
18	47855602		1 BOLT
19	16043620		2 BOLT Hex, M8 x 25, 8.8, Full Thd
20	10910321		1 BOLT Hex, M8 x 1 x 14mm, CI 8.8, Full Thd
21	43128		1 BOLT M8 x 1.25 x 30mm, CI 8.8
22	47706796		1 NUT
23	12577311		4 LOCK NUT Prevailing Torque, M14 x 2.0 x 16.6mm, CI8, ZND
24	16103621		1 THIN NUT Thin, M12 x 1.25, CI 05
25	322358		2 BELLEVILLE WASHER M8 Bolt Size x 18mm OD x 1.4mm Thk
26	48007005		1 RING
27	16102311		1 THIN NUT Thin, M8 x 1.25, CI 04
28	300477		1 SET SCREW M8 x 16mm

(1) MAINTENANCE PART

Orkel GP 1270 Kombi/ Orkel GP 1270S

COMBI WRAPPER SATELLITE ARMS

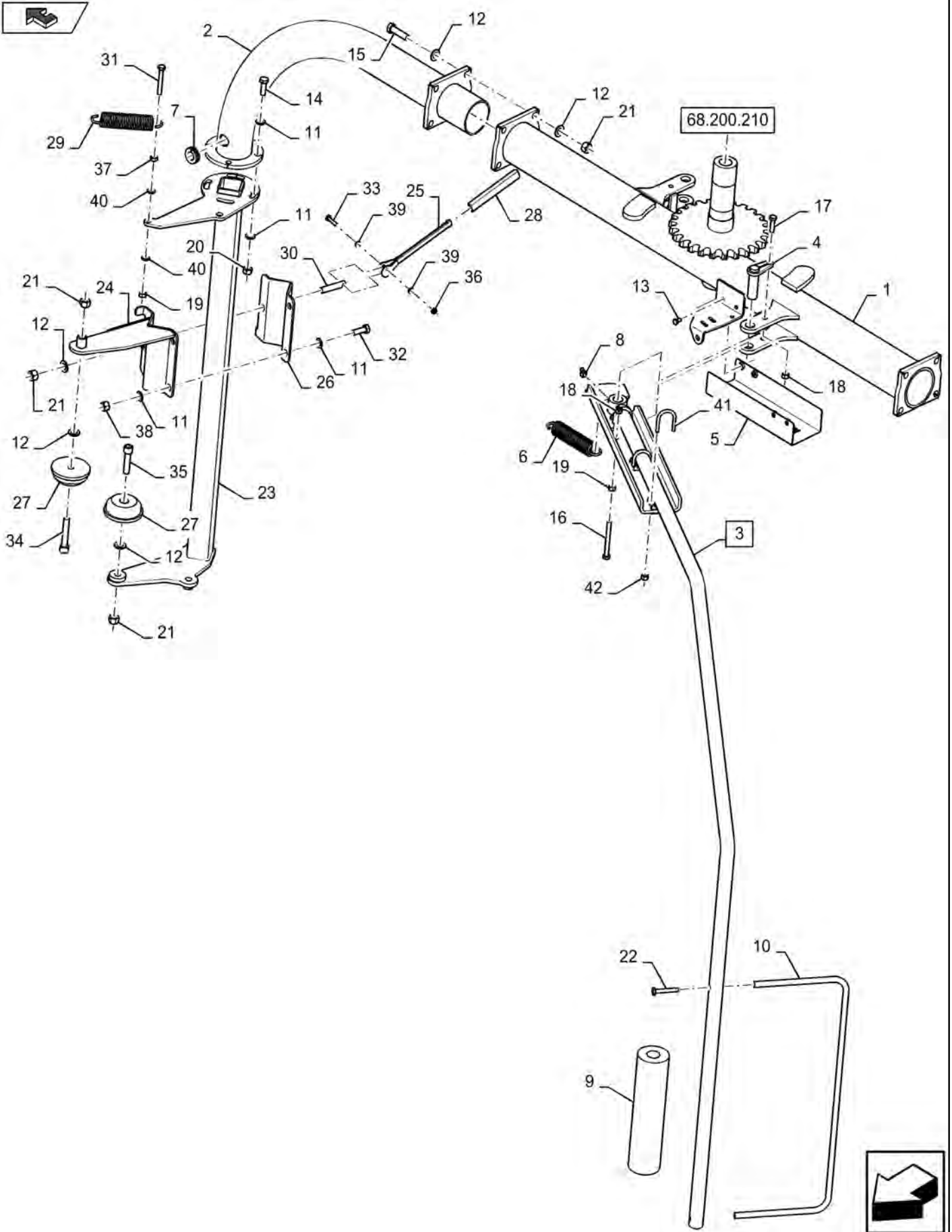


COMBI WRAPPER SATELLITE ARMS

REF FN	PART NUMBER	YR/SN	QTY DESCRIPTION
1	47658751		1 AXLE
2	47658758		2 ARM
3	47852107		2 ARM Incl 41 - 42
4	47852111		2 PIN
5	47852141		1 COVER
6	47658262		2 SPRING
7	10402480		2 GROMMET 18mm ID x 25mm Groove D x 33mm OD
8	84814929		2 LUBE NIPPLE
9	47852118		6 GUARD
10	48019156		2 HANDLE
11	86511323		24 WASHER 10.5mm ID x 20mm OD x 2mm Thk
12	86511324		22 WASHER 13mm ID x 24mm OD x 2.5mm Thk
13	86977726		4 BOLT Hex, M6 x 12mm, CI 8.8
14	43140		8 BOLT Hex, M10 x 1.5 x 30mm, CI 8.8
15	9628065		8 SCREW Hex, M12 x 1.75 x 45mm, CI 8.8
16	43133		2 BOLT Hex, M8 x 1.25 x 80mm, CI 8.8
17	43128		2 BOLT M8 x 1.25 x 30mm, CI 8.8
18	437013		4 NUT
19	9706690		4 NUT M8 x 1.25, CI 8
20	84100524		8 NUT M10 x 1.5, CI 8
21	84278115		14 NUT
22	15213621		4 SCREW Hex, M8 x 1.25 x 55mm, CI 8.8, Full Thd
23	47658157		2 FRAME
24	47658167		2 STOP
25	48046437		2 HANDLE
26	47664322		2 PLATE
27	47658168		4 ROLLER
28	47699863		2 COVER
29	47658262		2 SPRING
30	47658194		2 SCREW
31	120061		2 BOLT Hex, M8 x 60mm L, CI 8.8
32	43140		4 BOLT Hex, M10 x 1.5 x 30mm, CI 8.8

Orkel GP 1270 Kombi/ Orkel GP 1270S

COMBI WRAPPER SATELLITE ARMS



COMBI WRAPPER SATELLITE ARMS

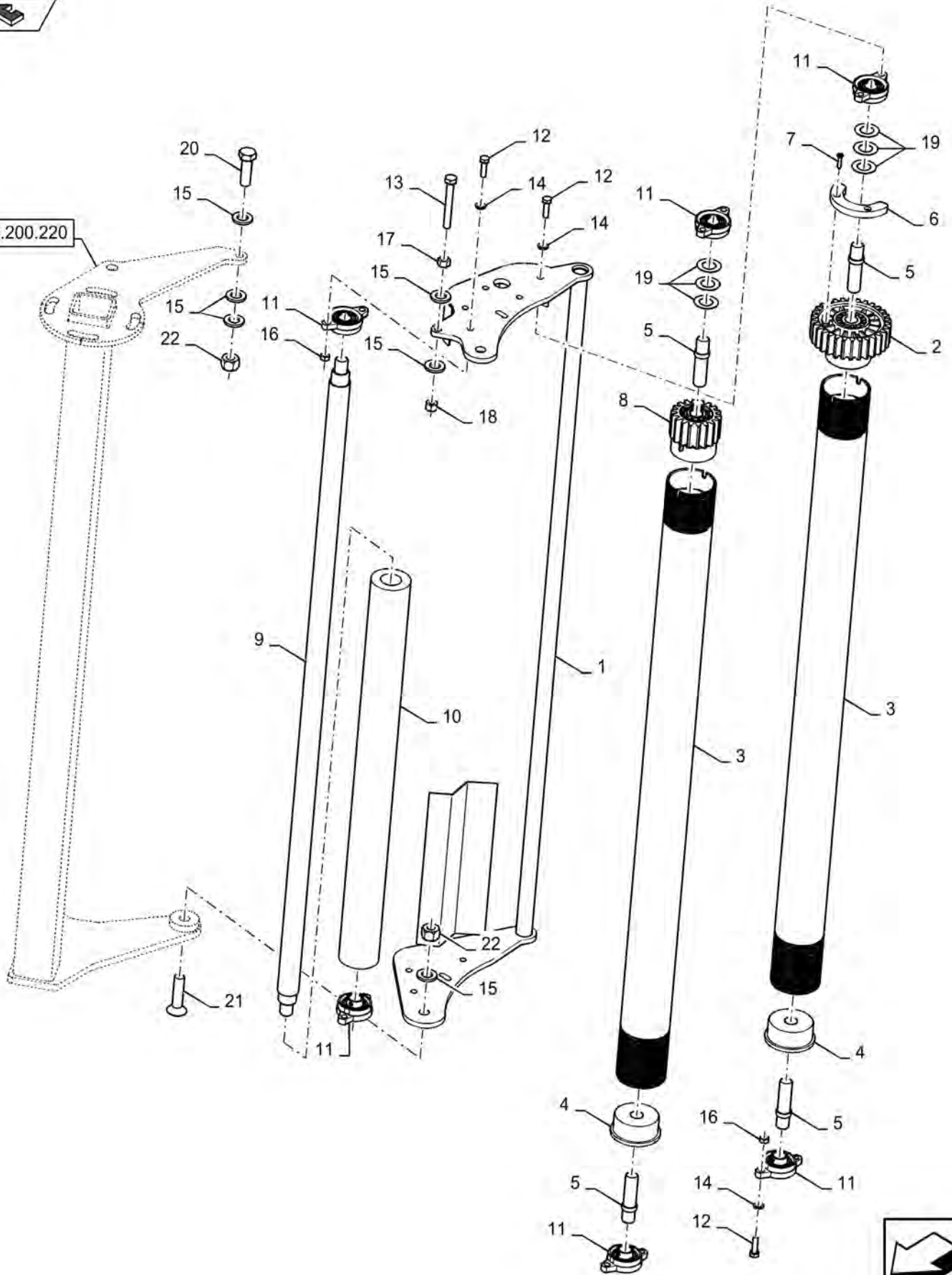
REF FN	PART NUMBER	YR/SN	QTY DESCRIPTION
33	120101		2 BOLT Hex, M6 x 1 x 30mm, CI 8.8
34	864-12065		2 HEX SOC SCREW M12 x 65mm, CI 8.8
35	864-12050		2 HEX SOC SCREW M12 x 50mm, CI 8.8
36	412152		2 NUT M6 x 1, CI 8.8
37	43362		2 NUT M8 x 1.25, CI 10
38	412141		4 NUT M10 x 1.5, CI 8
39	9824259		4 WASHER 6.4mm ID x 12mm OD x 1.6mm Thk
40	14496501		4 WASHER 8.4mm ID x 17mm OD x 1.6mm Thk
41	47852178		3 U-BOLT
42	393392		3 LOCK NUT Prev Torque, M6 x 1, CI 8

Orkel GP 1270 Kombi/ Orkel GP 1270S

COMBI WRAPPER SATELLITE ROLLERS



68.200.220

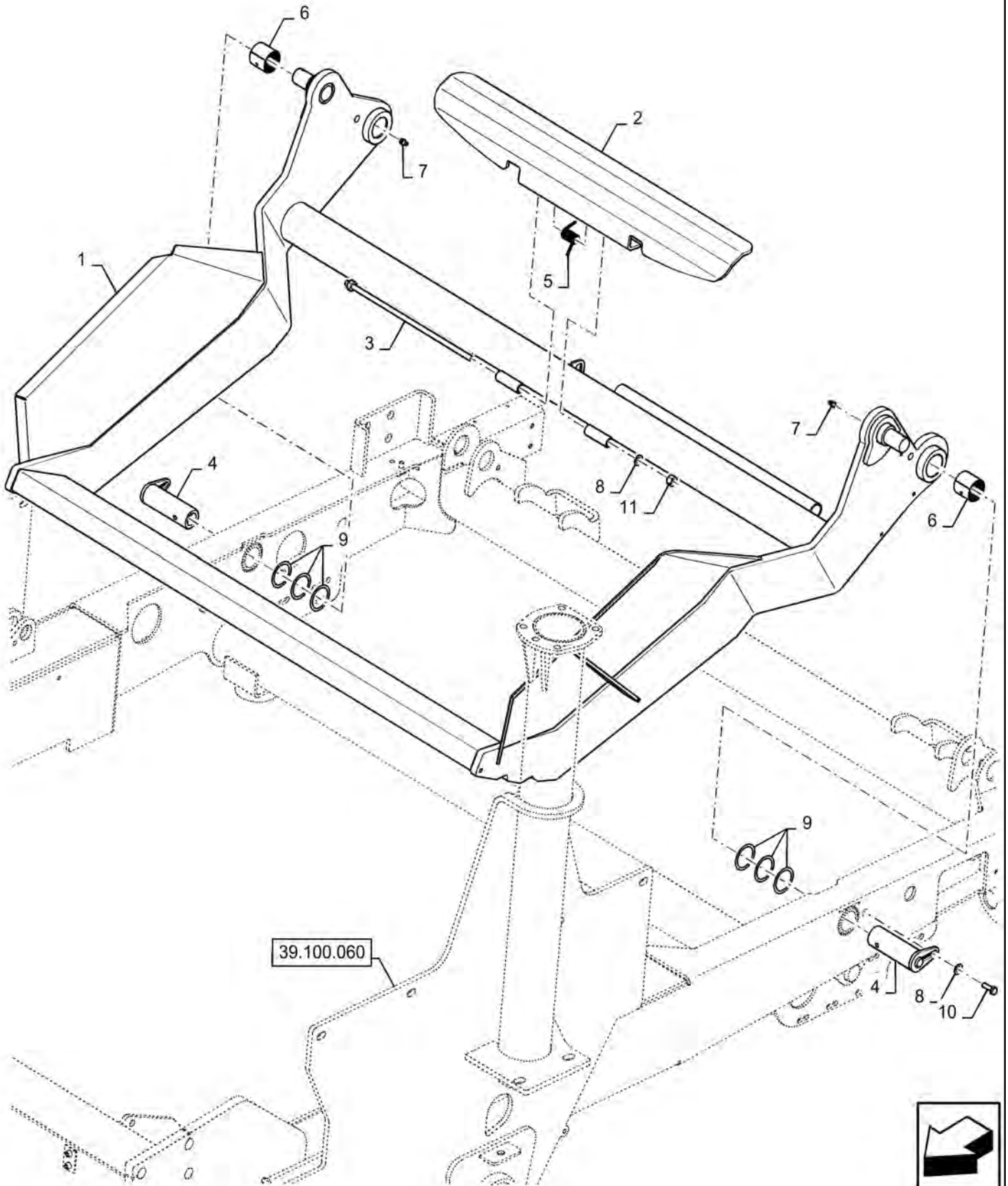


COMBI WRAPPER SATELLITE ROLLERS

REF FN	PART NUMBER	YR/SN	QTY DESCRIPTION
1	47658694		2 FRAME
2	47658190		2 GEAR
3	47658056		4 ROLLER
4	47658058		4 ROLLER
5	47658059		8 SHAFT
6	47658060		2 RING
7	774-14219		4 SELF-TAP SCREW Pozidrive, Pan HD, M3.9 x 1.3 x 19mm
8	47658196		2 GEAR
9	47658698		2 ROLL
10	47650124		2 ROLL
11	47666602		12 FLANGED BEARING
12	120100		24 BOLT M6 x 20mm, CI 8.8
13	120061		2 BOLT Hex, M8 x 60mm L, CI 8.8
14	9824259		24 WASHER 6.4mm ID x 12mm OD x 1.6mm Thk
15	86511324		12 WASHER 13mm ID x 24mm OD x 2.5mm Thk
16	412152		24 NUT M6 x 1, CI 8.8
17	9706690		2 NUT M8 x 1.25, CI 8
18	437013		2 NUT
19	13579907		24 WASHER
20	300389		2 BOLT M12 x 1.75 x 35mm, CI 8.8
21	87654458		2 SCREW
22	84278115		4 NUT

Orkel GP 1270 Kombi/ Orkel GP 1270S

COMBI WRAPPER LOADER

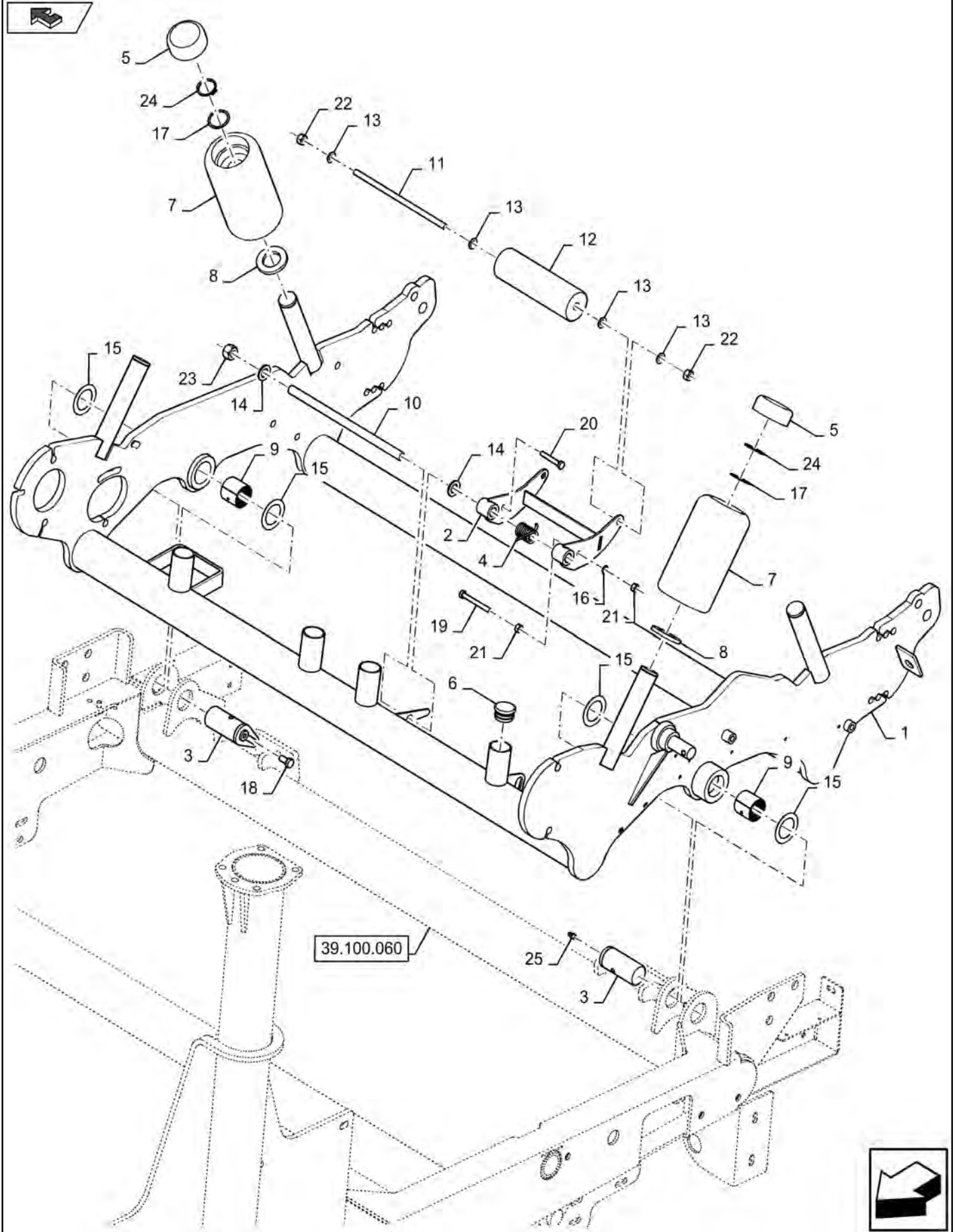


COMBI WRAPPER LOADER

REF FN	PART NUMBER	YR/SN	QTY DESCRIPTION
1	47658711		1 LOADER
2	47658714		1 PLATE
3	47788649		1 SHAFT
4	47735228		2 PIN
5	47658715		1 TORSION SPRING
6	47666752		2 BUSHING
7	87563868		2 FITTING M8 x 1.17mm
8	86511323		3 WASHER 10.5mm ID x 20mm OD x 2mm Thk
9	87302193		6 SHIM 42mm ID x 52mm OD x 0.5mm Thk
10	43127		2 BOLT Hex, M8 x 1.25 x 25mm, Cl 8.8
11	412141		1 NUT M10 x 1.5, Cl 8

Orkel GP 1270 Kombi/ Orkel GP 1270S

COMBI WRAPPER TABLE

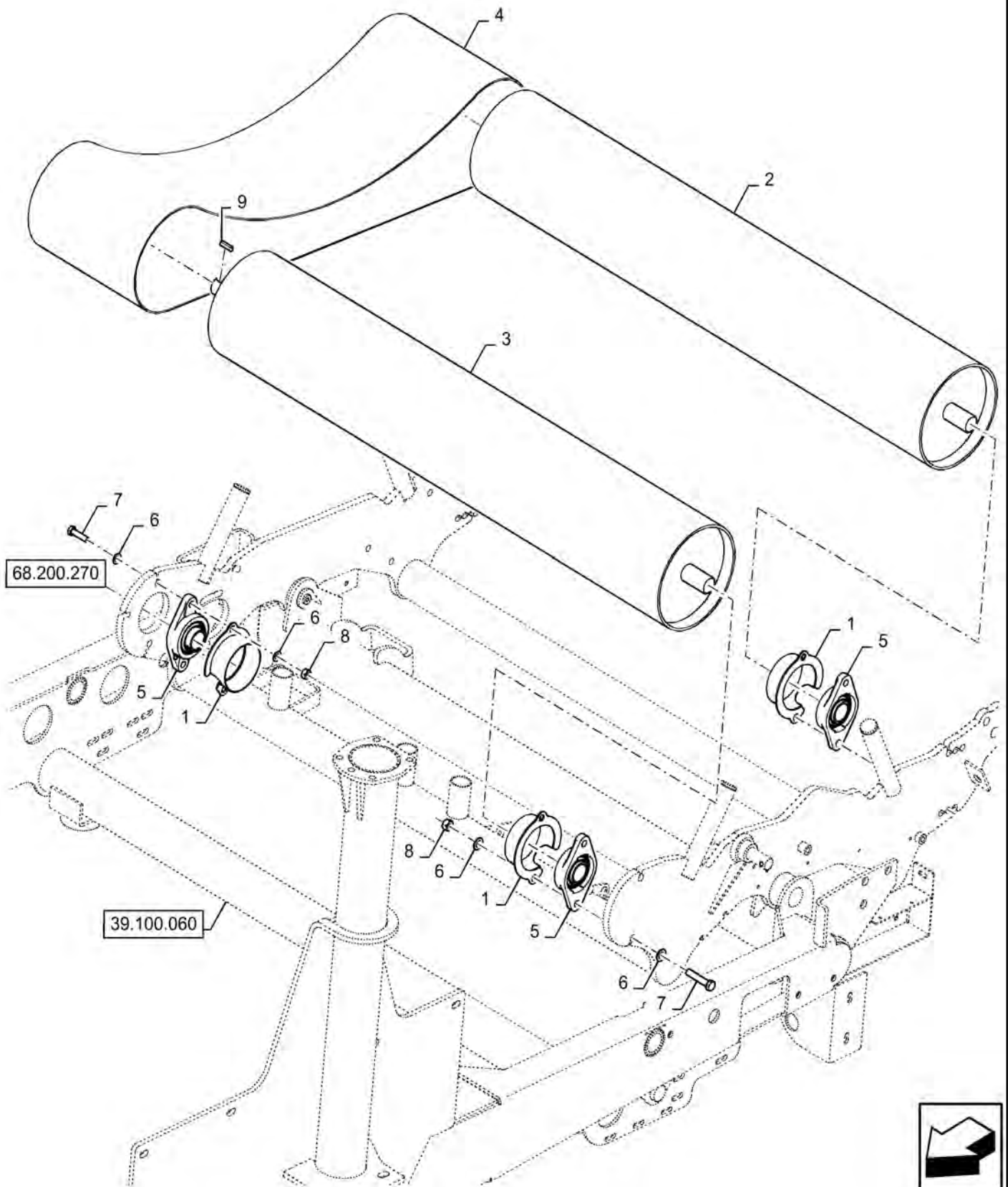


COMBI WRAPPER TABLE

REF FN	PART NUMBER	YR/SN	QTY DESCRIPTION
1	47658702		1 FRAME
2	47701135		1 BRACKET
3	47698517		2 PIN
4	48011762		2 TORSION SPRING
5	47651914		4 COVER
6	47699836		4 CYLINDER END CAP
7	47653873		4 ROLL
8	47699835		4 SHIM
9	47666752		2 BUSHING
10	47701130		1 ROD
11	47701131		1 ROD
12	47701136		1 ROLLER
13	86511323		4 WASHER 10.5mm ID x 20mm OD x 2mm Thk
14	86511326		4 WASHER 17mm ID x 30mm OD x 3mm Thk
15	47472663		4 SHIM 40mm ID x 60mm OD x 1mm Thk
16	10571774		1 LOCK WASHER 8.1mm ID x 14.8mm OD x 2mm Thk
17	84429871		8 WASHER
18	43138		2 BOLT Hex, M10 x 1.5 x 20mm, Cl 8.8
19	120062		1 BOLT Hex, M8 x 70mm, Cl 8.8
20	120107		1 BOLT Hex, M8 x 1.25 x 50mm, Cl 8.8, Full Thd
21	437013		4 NUT
22	84100524		2 NUT M10 x 1.5, Cl 8
23	84312238		2 NUT
24	800-1135		4 SNAP RING M35, Ext
25	87563868		2 FITTING M8 x 1.17mm

Orkel GP 1270 Kombi/ Orkel GP 1270S

COMBI WRAPPER TABLE ROLLERS

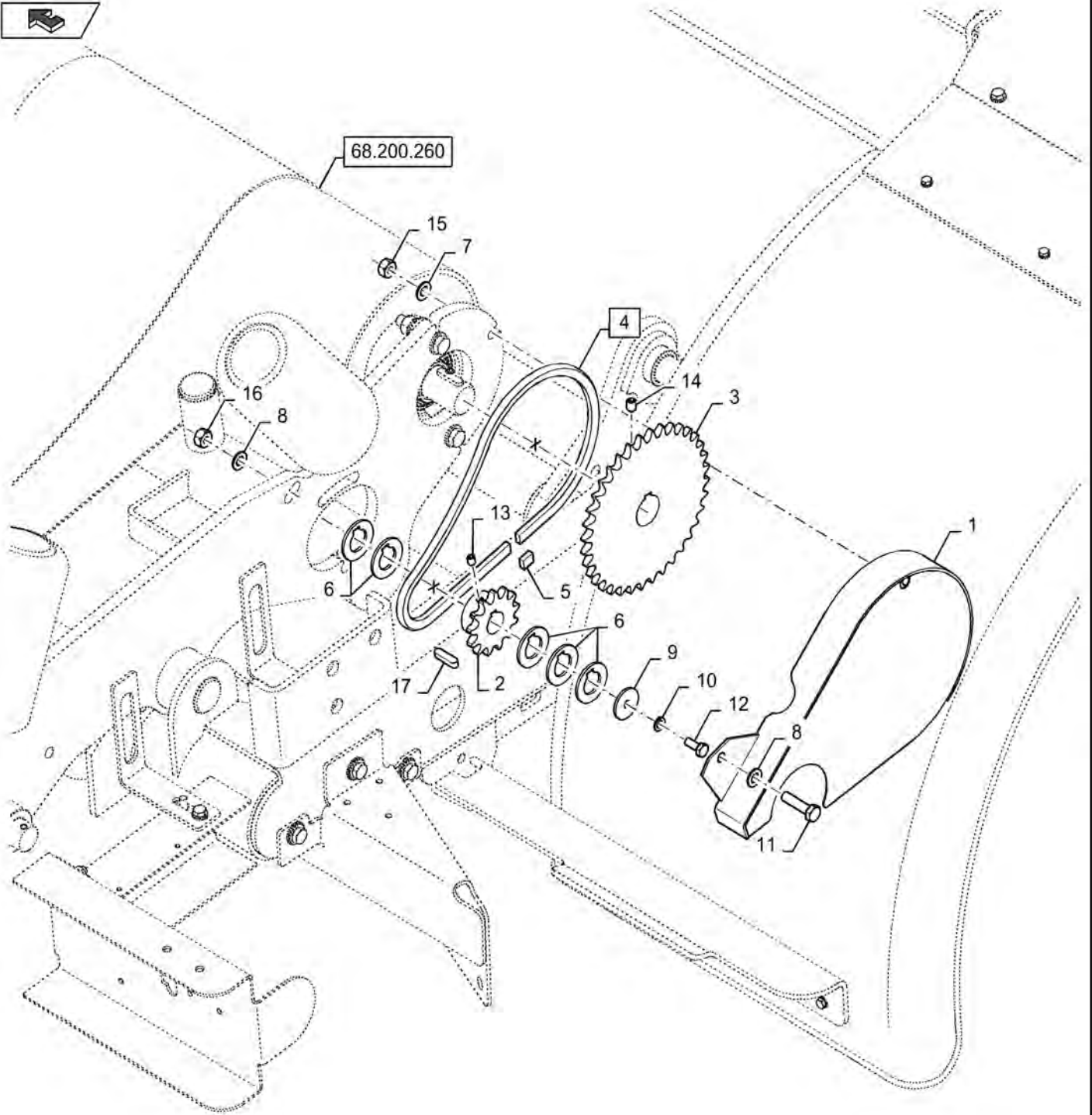


COMBI WRAPPER TABLE ROLLERS

REF FN	PART NUMBER	YR/SN	QTY DESCRIPTION
1	47658706		4 COVER
2	47699841		1 ROLLER
3	47658704		1 ROLLER
4	47666788		2 BELT
5	47666784		4 FLANGED BEARING
6	86511324		16 WASHER 13mm ID x 24mm OD x 2.5mm Thk
7	9706693		8 BOLT M12 x 60mm, CI 8.8
8	84278115		8 NUT
9	47484283		1 SQUARE KEY 10mm x 8mm x 36mm

Orkel GP 1270 Kombi/ Orkel GP 1270S

COMBI WRAPPER TABLE DRIVE



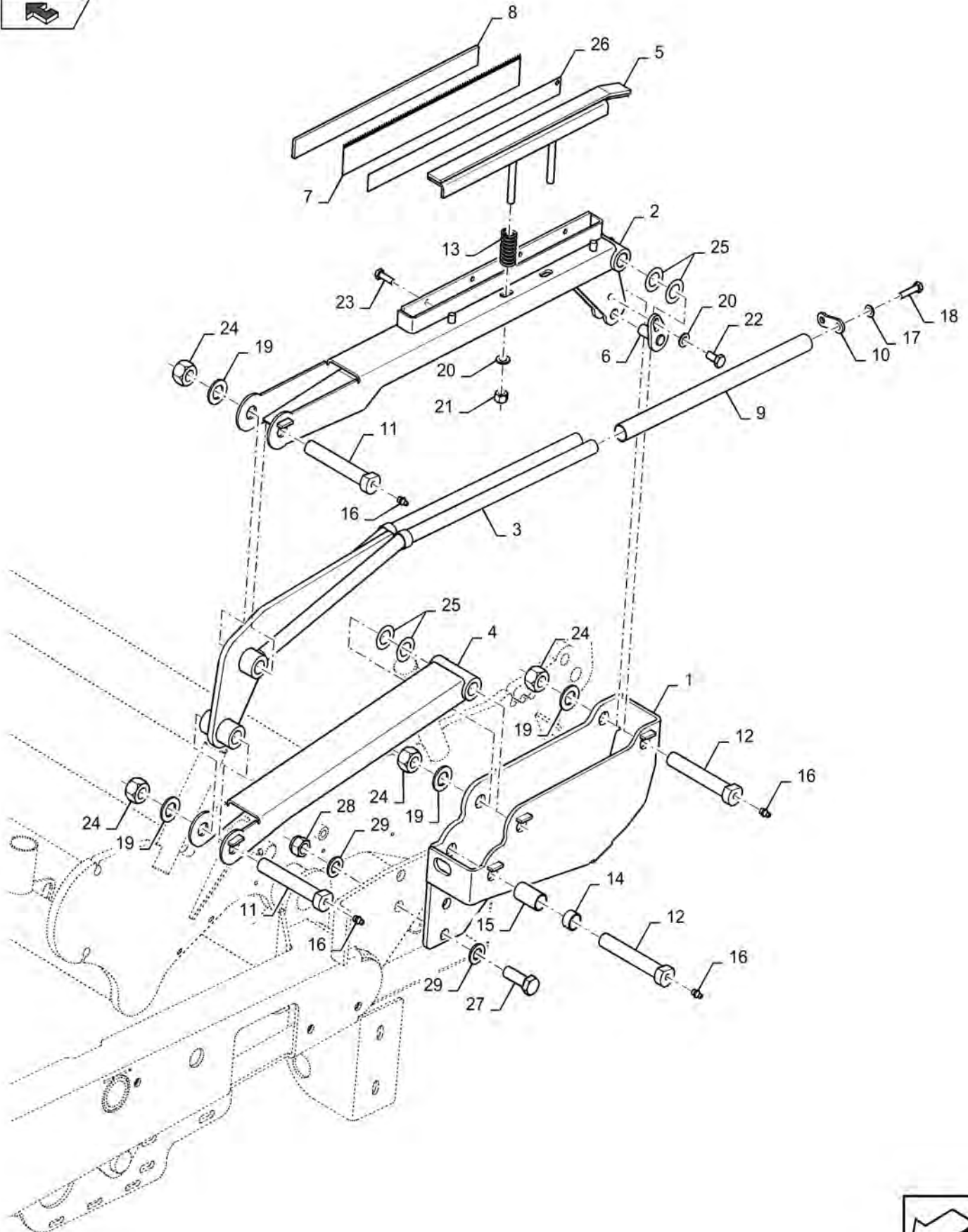
COMBI WRAPPER TABLE DRIVE

REF FN	PART NUMBER	YR/SN	QTY DESCRIPTION
1	47658707		1 COVER
2	1 47737894		1 SPROCKET
3	1 47737892		1 SPROCKET
4	1 47666803		1 CHAIN Incl 5
5	1 47901267		1 LINK
6	47699837		5 SPACER
7	86511315		7 WASHER 8.4mm ID x 16mm OD x 1.8mm Thk
8	86511323		2 WASHER 10.5mm ID x 20mm OD x 2mm Thk
9	12646201		1 WASHER 8.15mm ID x 35mm OD x 3mm Thk
10	10571770		1 LOCK WASHER 8.1mm ID x 14.8mm OD x 2mm Thk
11	120068		1 BOLT Hex, M10 x 40mm, Cl 8.8
12	120104		1 BOLT Hex, M8 x 1.25 x 20mm, Cl 8.8
13	380530		1 SET SCREW Hex, M8 x 10mm
14	300480		1 SET SCREW M10 x 12mm
15	437013		1 NUT
16	84100524		1 NUT M10 x 1.5, Cl 8
17	14724710		1 KEY

(1) MAINTENANCE PART

Orkel GP 1270 Kombi/ Orkel GP 1270S

COMBI WRAPPERFILM CUTTER

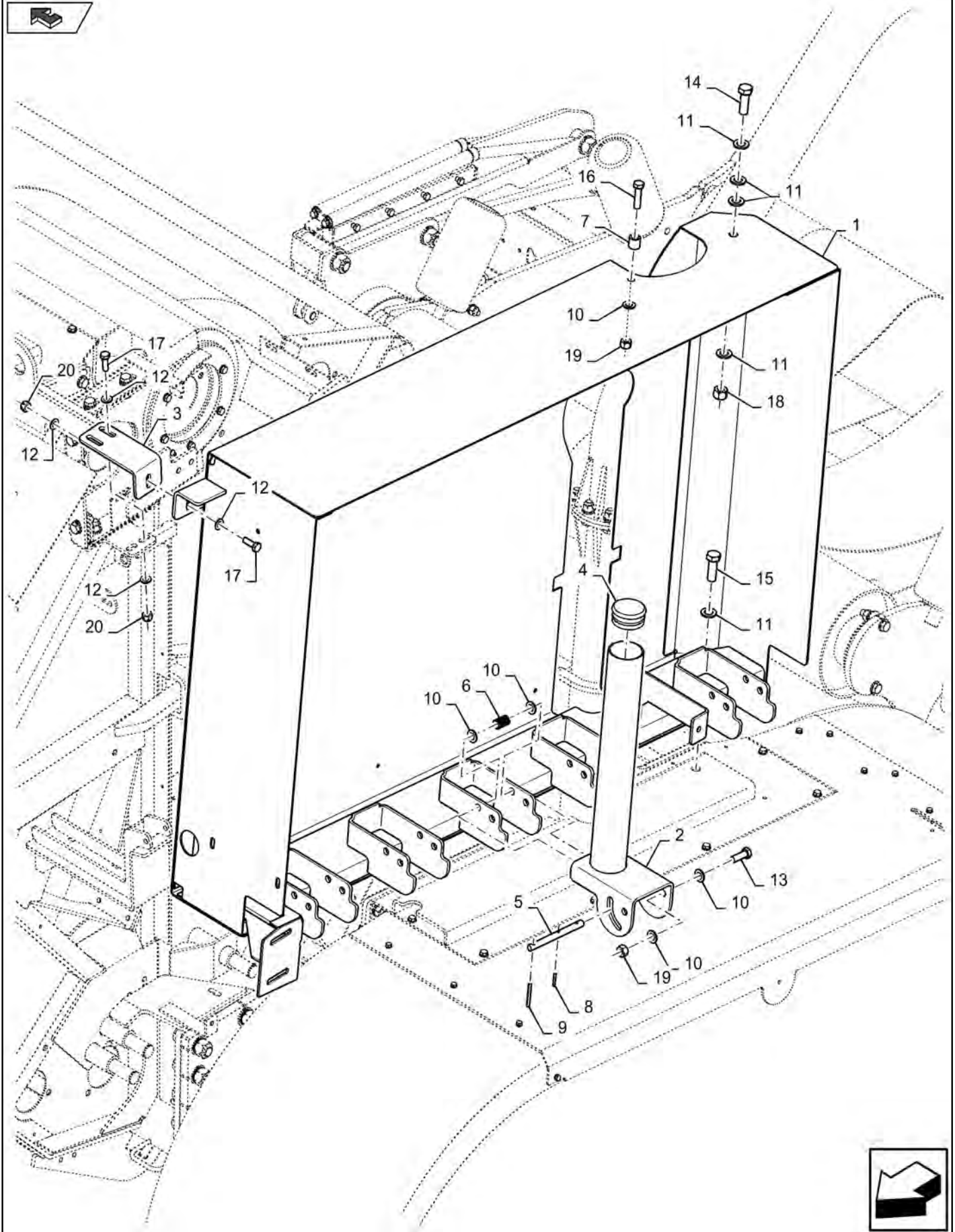


COMBI WRAPPERFILM CUTTER

REF FN	PART NUMBER	YR/SN	QTY DESCRIPTION
1	47658102		1 FRAME
2	47658112		1 FRAME
3	47658117		1 ARM
4	47658124		1 BAR
5	47726220		1 STOP
6	47660645		1 PIN
7	47658145		1 KNIFE
8	47658140		1 PLATE
9	47658134		2 PIPE
10	47658136		1 HOLDER
11	47662622		2 PIN
12	47662623		3 PIN
13	47658200		4 SPRING
14	47658127		1 SPACER
15	47658125		1 SPACER
16	87563868		5 FITTING M8 x 1.17mm
17	14496501		2 WASHER 8.4mm ID x 17mm OD x 1.6mm Thk
18	412479		2 BOLT Hex, M8 x 1.25 x 35mm, CI 8.8
19	86511327		5 WASHER 21mm ID x 37mm OD x 3mm Thk
20	86511323		3 WASHER 10.5mm ID x 20mm OD x 2mm Thk
21	412141		2 NUT M10 x 1.5, CI 8
22	43138		1 BOLT Hex, M10 x 1.5 x 20mm, CI 8.8
23	43127		4 BOLT Hex, M8 x 1.25 x 25mm, CI 8.8
24	82020635		5 NUT Prevailing Torque, M20 x 2.5 x 20mm, CI8
25	13580001		4 WASHER 21mm ID x 36mm OD x 0.5mm Thk
26	48022470		3 SHIM
27	385922		6 BOLT Hex, M16 x 2 x 45mm, CI 8.8
28	412066		6 NUT M16 x 2.0, CI 8
29	86511326		12 WASHER 17mm ID x 30mm OD x 3mm Thk

Orkel GP 1270 Kombi/ Orkel GP 1270S

COMBI WRAPPER BOX, LH & RH

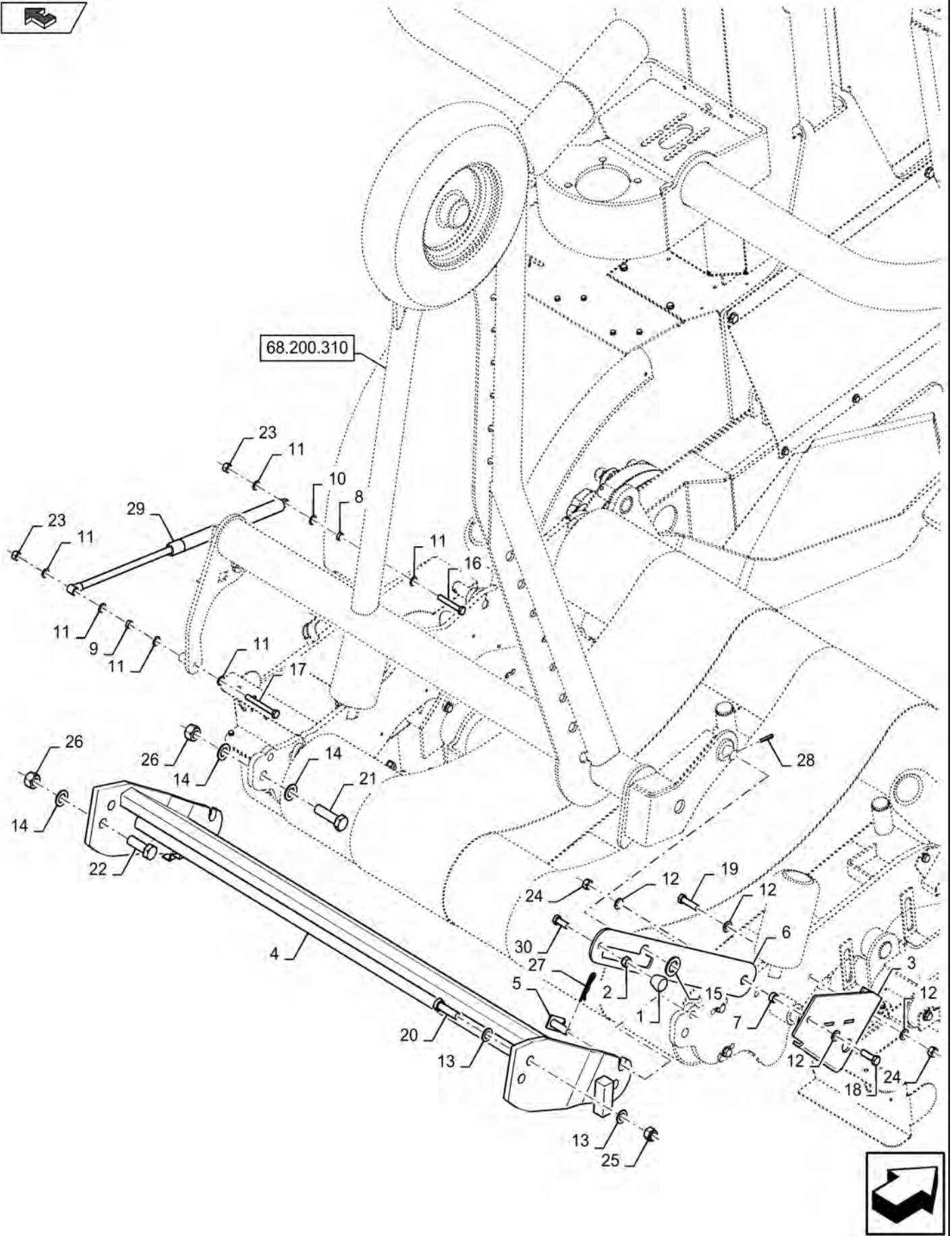


COMBI WRAPPER BOX, LH & RH

REF FN	PART NUMBER	YR/SN	QTY DESCRIPTION
1	47720650		1 ROLL LH
1	47711270		1 TOOL BOX RH
2	47711273		5 PIPE
3	47925021		1 BRACKET
4	84820498		5 CAP
5	47711265		5 PIN
6	47711267		5 SPRING
7	47720652		1 BUSHING
8	440434		10 PIN
9	14168971		5 LOCK PIN M6 x 50, Slotted
10	86511324		31 WASHER 13mm ID x 24mm OD x 2.5mm Thk
11	86511326		5 WASHER 17mm ID x 30mm OD x 3mm Thk
12	14496601		6 WASHER 10.5mm ID x 21mm OD x 2mm Thk
13	300389		10 BOLT M12 x 1.75 x 35mm, Cl 8.8
14	385922		1 BOLT Hex, M16 x 2 x 45mm, Cl 8.8
15	120092		1 BOLT M16 x 70mm, Cl 8.8
16	9628065		1 SCREW Hex, M12 x 1.75 x 45mm, Cl 8.8
17	43140		3 BOLT Hex, M10 x 1.5 x 30mm, Cl 8.8
18	84312238		1 NUT
19	84278115		11 NUT
20	100037		3 LOCK NUT M10 x 1.5, Cl 8

Orkel GP 1270 Kombi/ Orkel GP 1270S

QUARTER TURN



QUARTER TURN

REF FN	PART NUMBER	YR/SN	QTY DESCRIPTION
1	372783		1 KNOB
2	9706685		1 NUT M12 x 1.75, CI 8
3	47933190		1 SUPPORT
4	48040165		1 FRAME
5	47932632		2 SHAFT
6	47875807		1 PLATE
7	47876888		1 RING
8	698748		1 BUSHING 10.3mm ID x 15.88mm OD x 9.53mm L
9	87342153		1 SPACER 10.34mm ID x 15.88mm OD x 6.3mm L
10	12641001		2 WASHER 10.2mm ID x 20mm OD x 3mm Thk
11	140017		6 WASHER M10 x 20mm OD x 2mm Thk
12	86511324		7 WASHER 13mm ID x 24mm OD x 2.5mm Thk
13	86511326		4 WASHER 17mm ID x 30mm OD x 3mm Thk
14	86511327		6 WASHER 21mm ID x 37mm OD x 3mm Thk
15	140022		1 WASHER 26mm ID x 44mm OD x 4mm Thk
16	43144		1 BOLT Hex, M10 x 70mm, CI 8.8
17	120074		1 BOLT Hex, M10 x 90, 8.8
18	86629541		1 BOLT Hex, M12 x 1.75 x 40mm, CI 8.8
19	9628065		2 SCREW Hex, M12 x 1.75 x 45mm, CI 8.8
20	87573374		2 BOLT Hex, M16 x 55mm, CI 8.8
21	15988531		2 BOLT Hex, M20 x 1.5 x 70mm, CI 10.9, Full Thd
22	15988334		2 BOLT Hex, M20 x 1.5 x 60mm, CI 10.9
23	412141		2 NUT M10 x 1.5, CI 8
24	84278115		3 NUT
25	412066		2 NUT M16 x 2.0, CI 8
26	87489983		4 NUT M24 x 1.5, CI. 10
27	37851		2 PIN 7.5mm x 72mm L
28	300869		1 LOCK PIN 6mm OD x 40mm L, Slotted
29	48024259		1 GAS STRUT
30	9706687		1 BOLT M12 x 1.75 x 30mm, CI 8.8

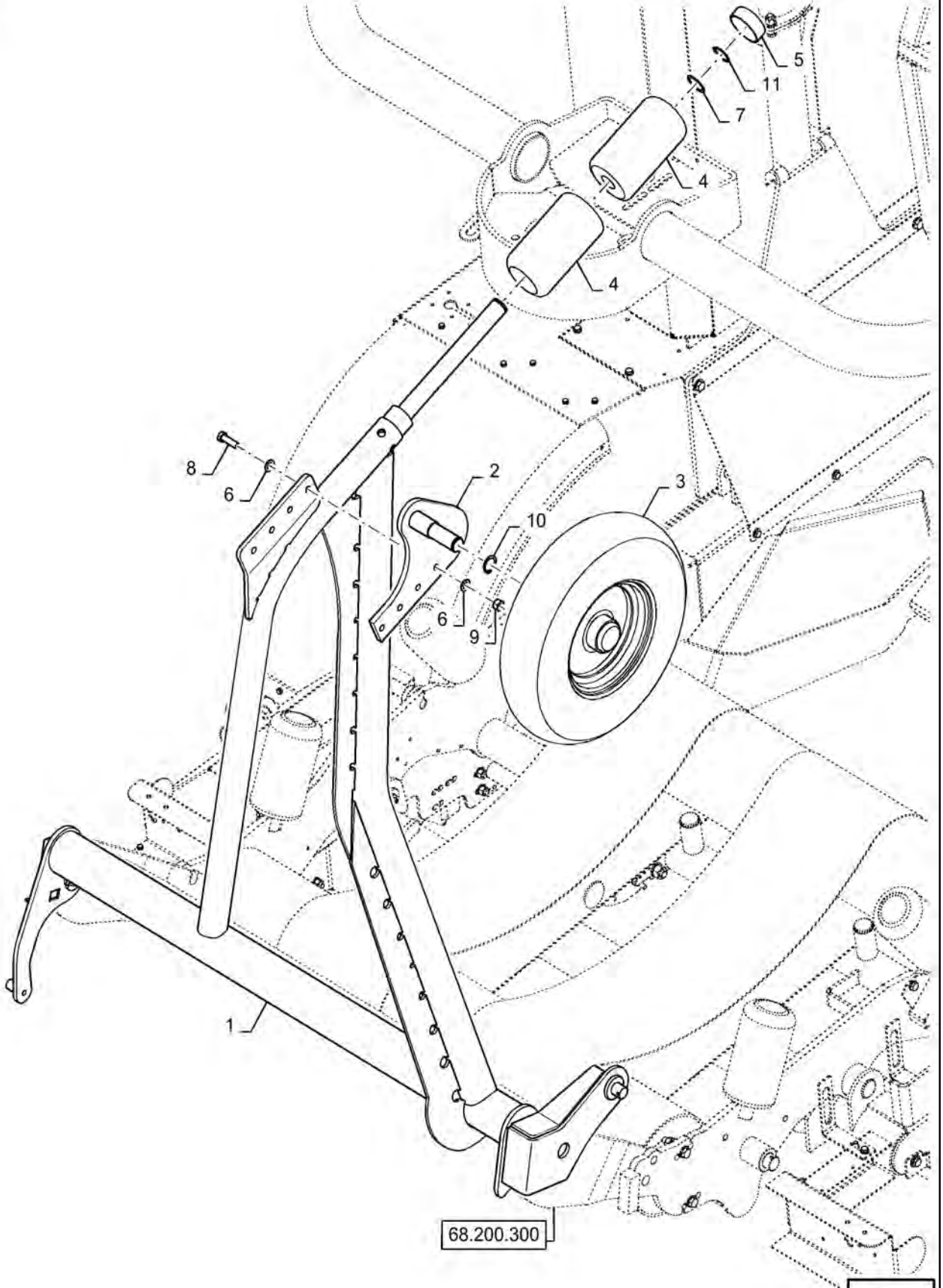
Orkel GP 1270 Kombi/ Orkel GP 1270S

68.200.310

p1

4/2017

QUARTER TURN WHEEL



68.200.300

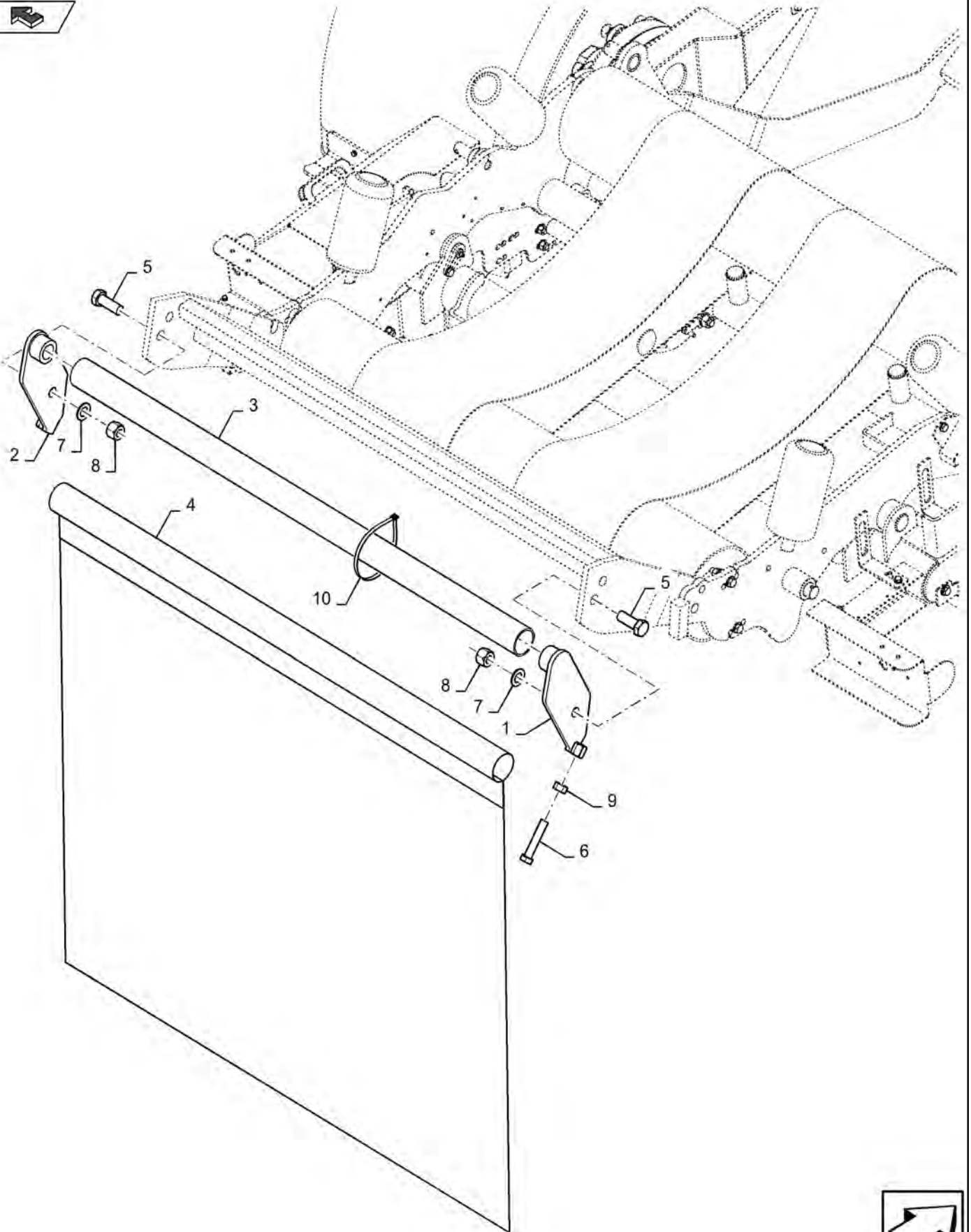


QUARTER TURN WHEEL

REF FN	PART NUMBER	YR/SN	QTY DESCRIPTION
1	47714375		1 FRAME
2	47743412		1 LEVER
3	84972729		1 WHEEL
4	47653873		2 ROLL
5	47651914		1 COVER
6	86511324		8 WASHER 13mm ID x 24mm OD x 2.5mm Thk
7	47636381		2 WASHER 36mm ID x 45mm OD x 1mm Thk
8	86629541		4 BOLT Hex, M12 x 1.75 x 40mm, Cl 8.8
9	218921		4 LOCK NUT M12 x 1.5, Cl 8
10	370003		1 SNAP RING M30, External
11	800-1135		1 SNAP RING M35, Ext

Orkel GP 1270 Kombi/ Orkel GP 1270S

BALE DROP PROTECTION



BALE DROP PROTECTION

REF FN	PART NUMBER	YR/SN	QTY DESCRIPTION
1	47476767		1 SUPPORT
2	47476769		1 SUPPORT
3	47568170		1 TUBE
4	47459459		1 CANVAS
5	15224321		2 BOLT Hex, M20 x 2.5 x 80mm, CI 8.8, Full Thd
6	120093		2 BOLT M16 x 2.0 x 90.18mm, CI 8.8
7	86511327		2 WASHER 21mm ID x 37mm OD x 3mm Thk
8	9706694		2 NUT Hex, M20, CI 8
9	100020		2 NUT M16 x 2.0, CI 8
10	14569387		2 HOSE CLIP

Orkel GP 1270 Kombi/ Orkel GP 1270S

SECTION INDEX

EJECTION

70.000.00	01	SECTION INDEX - EJECTION
70.280.010		BALE KICKER

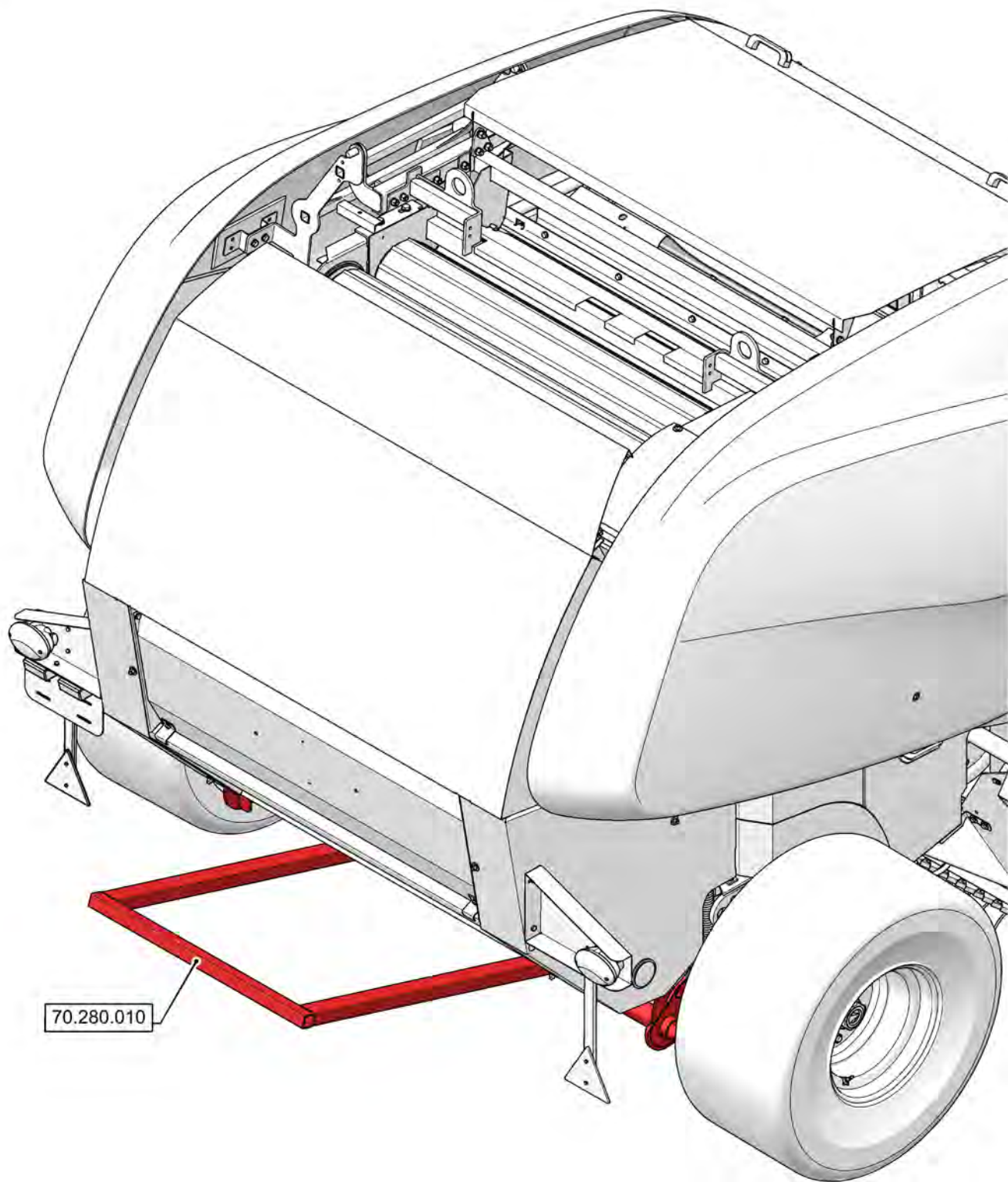
70.000.00

01

p1

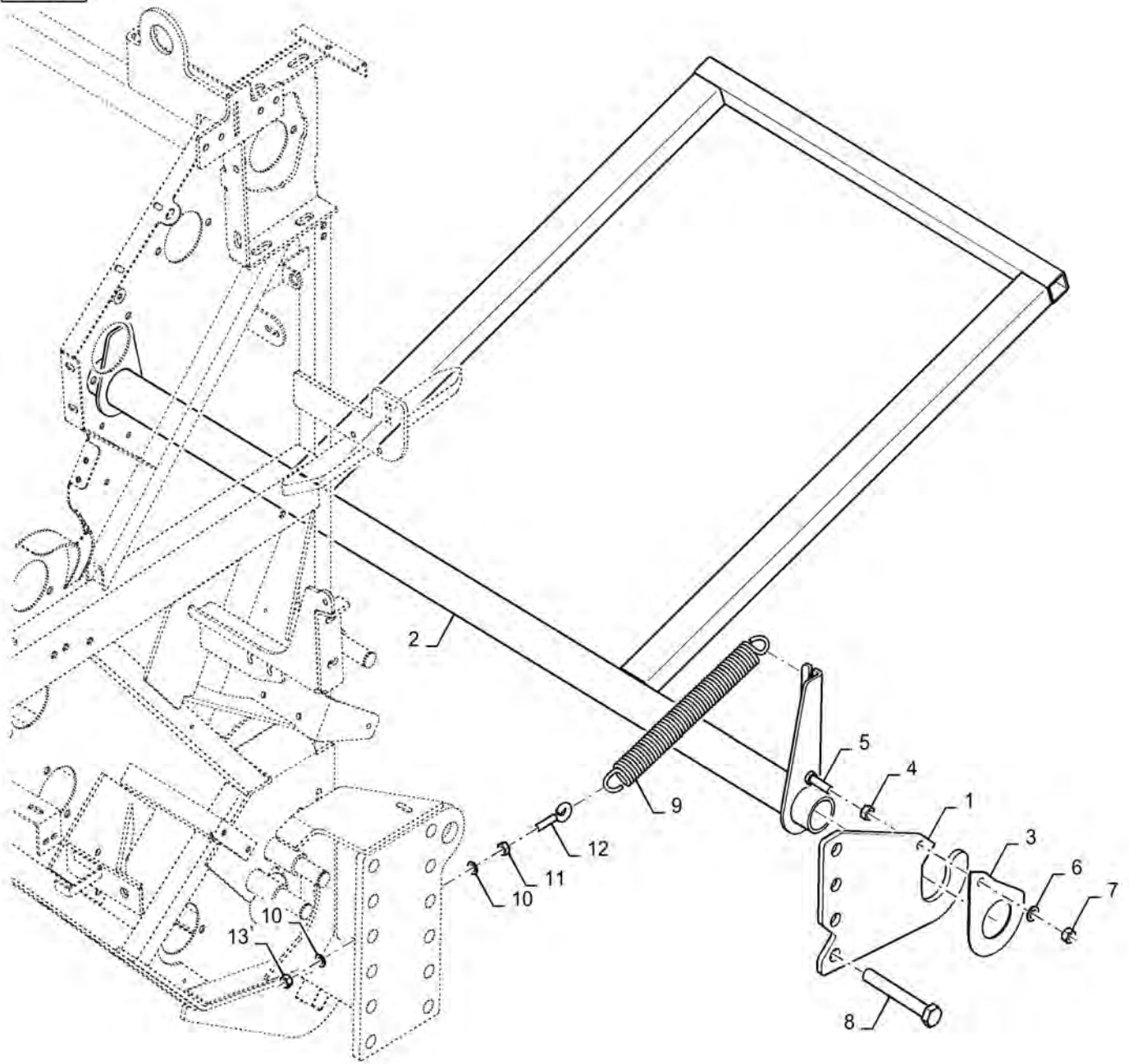
4/2017

SECTION INDEX - EJECTION



70.280.010

BALE KICKER



BALE KICKER

REF FN	PART NUMBER	YR/SN	QTY DESCRIPTION
1	47474027		2 PLATE
2	47474030		1 EJECTOR
3	47474031		2 PLATE
4	9706685		2 NUT M12 x 1.75, CI 8
5	86629541		2 BOLT Hex, M12 x 1.75 x 40mm, CI 8.8
6	86511324		2 WASHER 13mm ID x 24mm OD x 2.5mm Thk
7	84278115		2 NUT
8	384656		6 BOLT Hex, M20 x 2.5 x 140mm, CI 8.8
9	47484015		1 TENSION SPRING
10	86511323		2 WASHER 10.5mm ID x 20mm OD x 2mm Thk
11	100016		1 NUT M10 x 1.5, CI 8
12	47479137		1 EYEBOLT
13	84100524		1 NUT M10 x 1.5, CI 8

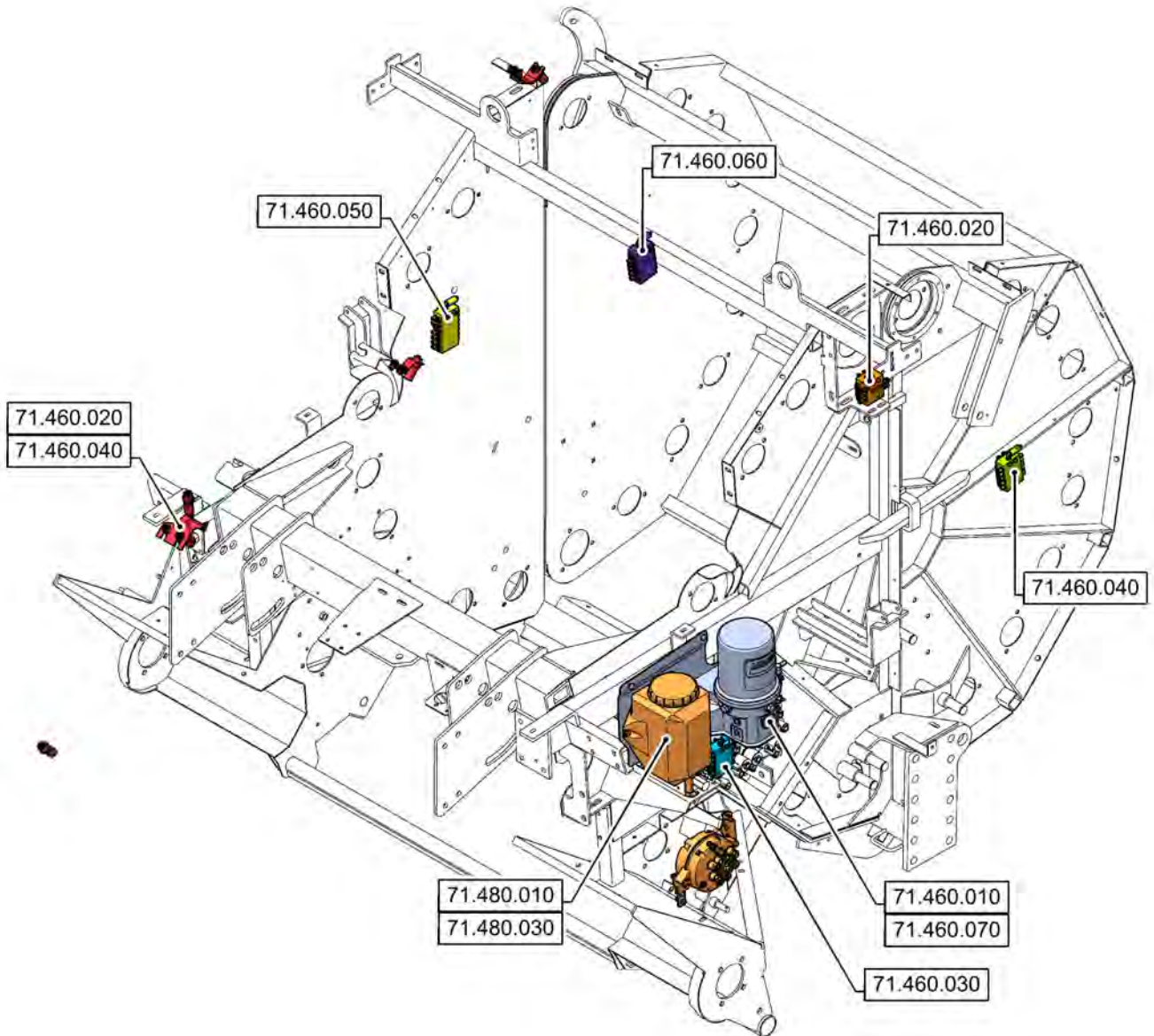
Orkel GP 1270 Kombi/ Orkel GP 1270S

SECTION INDEX

LUBRICATION SYSTEM

71.000.00	01	SECTION INDEX - LUBRICATION SYSTEM
71.460.010		GREASE PUMP
71.460.020		MAIN GREASE DISTRIBUTER
71.460.030		GREASIG FRAME ROLLS LH
71.460.040		GREASING TAIL GATE ROLLS LH
71.460.050		GREASIG FRAME ROLLS RH
71.460.060		GREASING TAIL GATE ROLLS RH
71.460.070		GREASE PUMP
71.480.010		OILING PUMP
71.480.020		BALE FORMATION AND PICK-UP OILING
71.480.030		OILING PUMP
71.480.040		BALE FORMATION AND PICK-UP OILING

SECTION INDEX - LUBRICATION SYSTEM

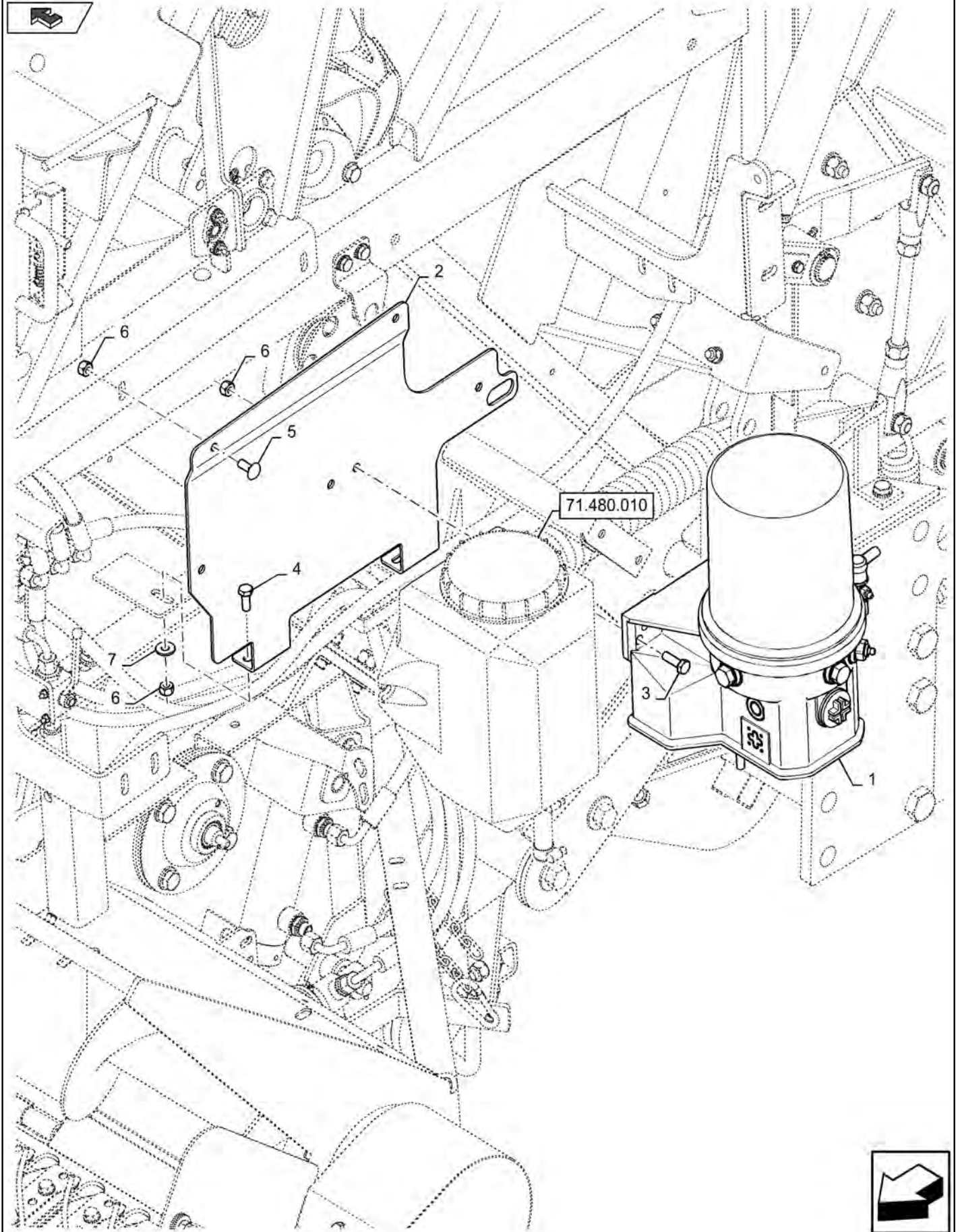


71.460.010

p1

4/2017

GREASE PUMP



71.460.010

p1

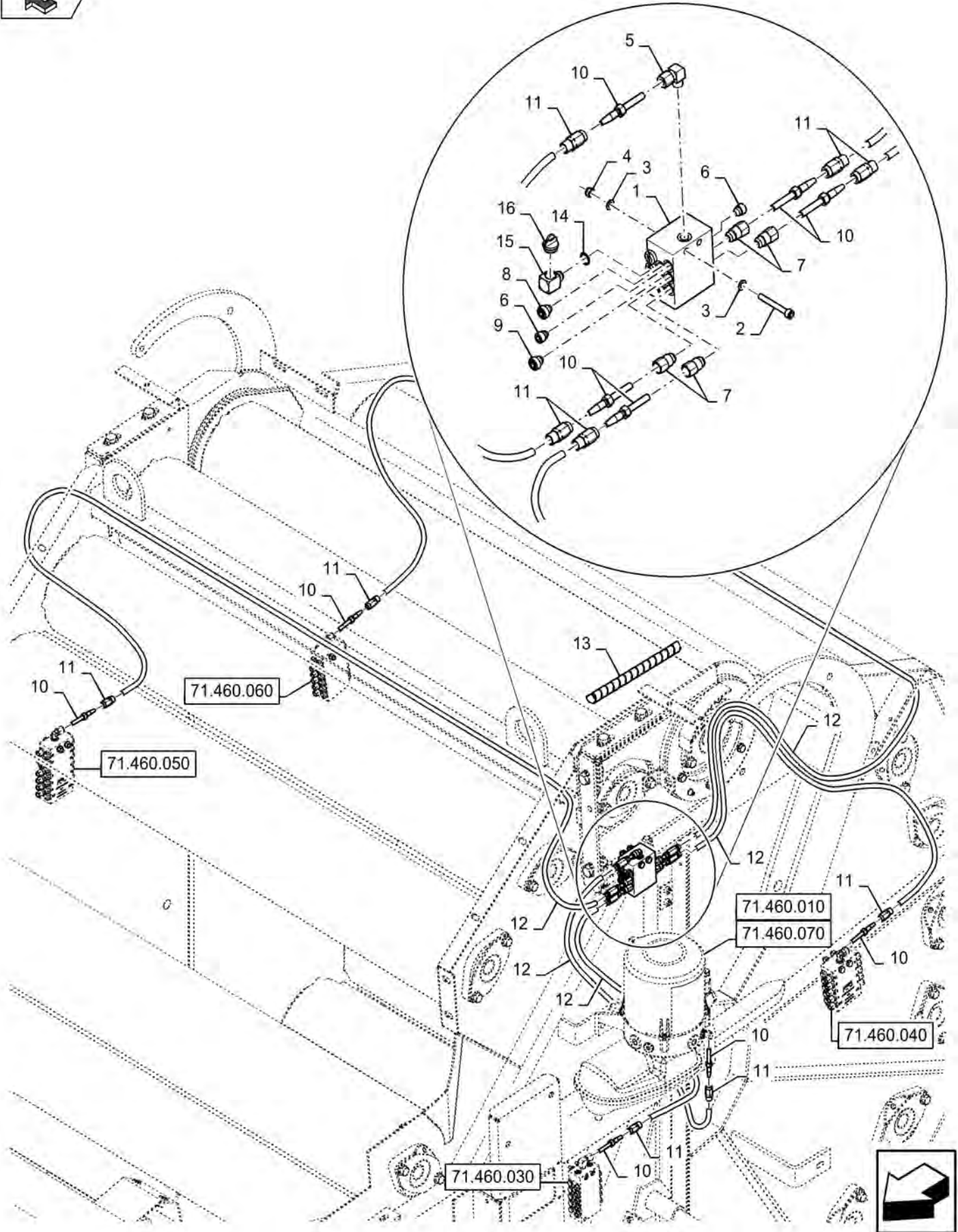
4/2017

GREASE PUMP

REF FN	PART NUMBER	YR/SN	QTY DESCRIPTION
1	84312795		1 PUMP
2	47842904		1 BRACKET
3	43128		2 BOLT M8 x 1.25 x 30mm, CI 8.8
4	120104		2 BOLT Hex, M8 x 1.25 x 20mm, CI 8.8
5	86507486		2 CARRIAGE BOLT M8 x 1.25 x 20mm, CI 8.8
6	437013		6 NUT
7	12646701		2 WASHER 8.15mm ID x 20mm OD x 2mm Thk

Orkel GP 1270 Kombi/ Orkel GP 1270S

MAIN GREASE DISTRIBUTER

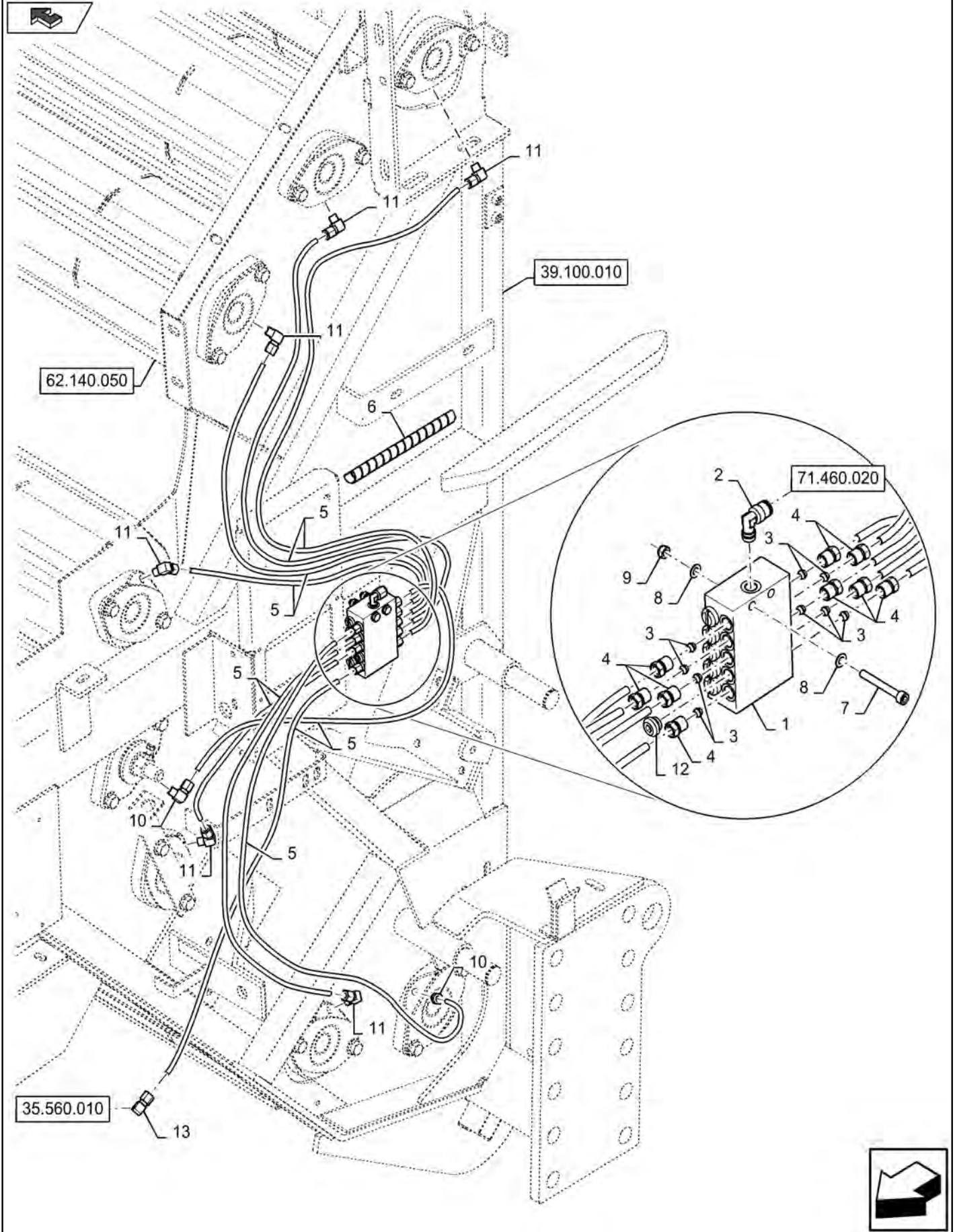


MAIN GREASE DISTRIBUTER

REF	FN	PART NUMBER	YR/SN	QTY	DESCRIPTION
1	1	47868637		1	FLOW DIVIDER
1	2	48005376		1	FLOW DIVIDER
2		338413		2	BOLT Hex, M6 x 60mm, CI 8.8
3		86517328		4	LOCK WASHER 6.1mm ID x 11.8mm OD x 1.7mm Thk
4		86500688		2	NUT Hex, M6 x 1.0, CI 10.9
5		47868614		1	FITTING
6		47868611		2	PLUG
7		47868634		4	FITTING
8		47868636		1	REGULATOR
9		47868635		2	REGULATOR
10		47868638		10	FITTING
11		47868629		10	FITTING
12		47868628		AR	HOSE L=9,45M
13		47868269		3	PROTECTOR
14	1	47868633		1	SEALING RING
15	1	47868632		1	ADAPTER
16	1	47868631		1	PLUG
(1)		FOR GP 1270S ONLY			
(2)		FOR GP 1270 KOMBI ONLY			

Orkel GP 1270 Kombi/ Orkel GP 1270S

GREASIG FRAME ROLLS LH

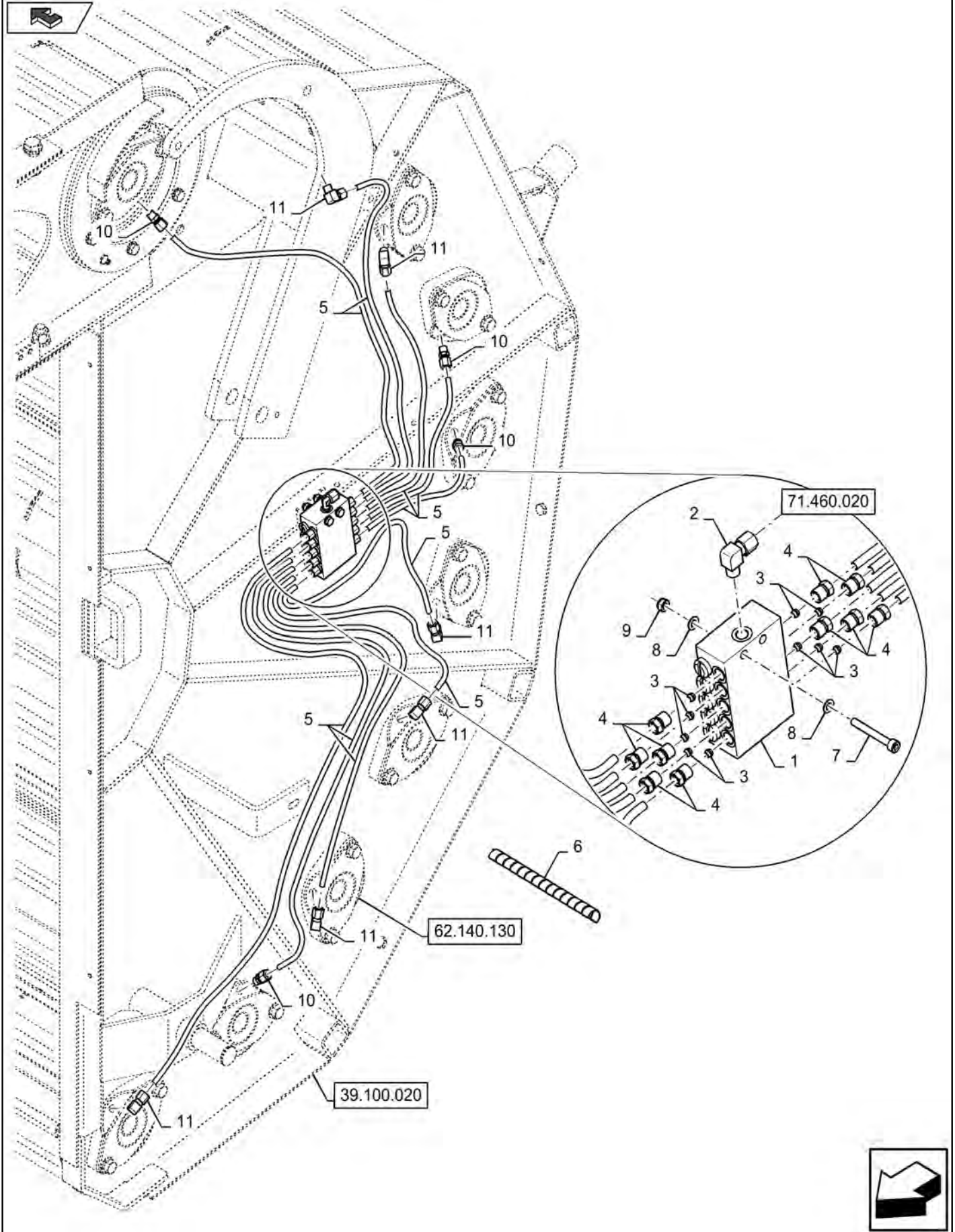


GREASIG FRAME ROLLS LH

REF FN	PART NUMBER	YR/SN	QTY DESCRIPTION
1	47868618		1 FLOW DIVIDER
2	47868614		2 FITTING
3	47868613		9 SEALING RING
4	47868612		9 NUT
5	47868610		AR HOSE
6	47868609		1 PROTECTOR
7	86500688		2 NUT Hex, M6 x 1.0, CI 10.9
8	86517328		4 LOCK WASHER 6.1mm ID x 11.8mm OD x 1.7mm Thk
9	47868606		2 PROTECTOR
10	84807240		1 NIPPLE
11	47868261		8 FLOW DIVIDER
12	47868611		1 PLUG
13	84807247		1 COUPLING

Orkel GP 1270 Kombi/ Orkel GP 1270S

GREASING TAIL GATE ROLLS LH

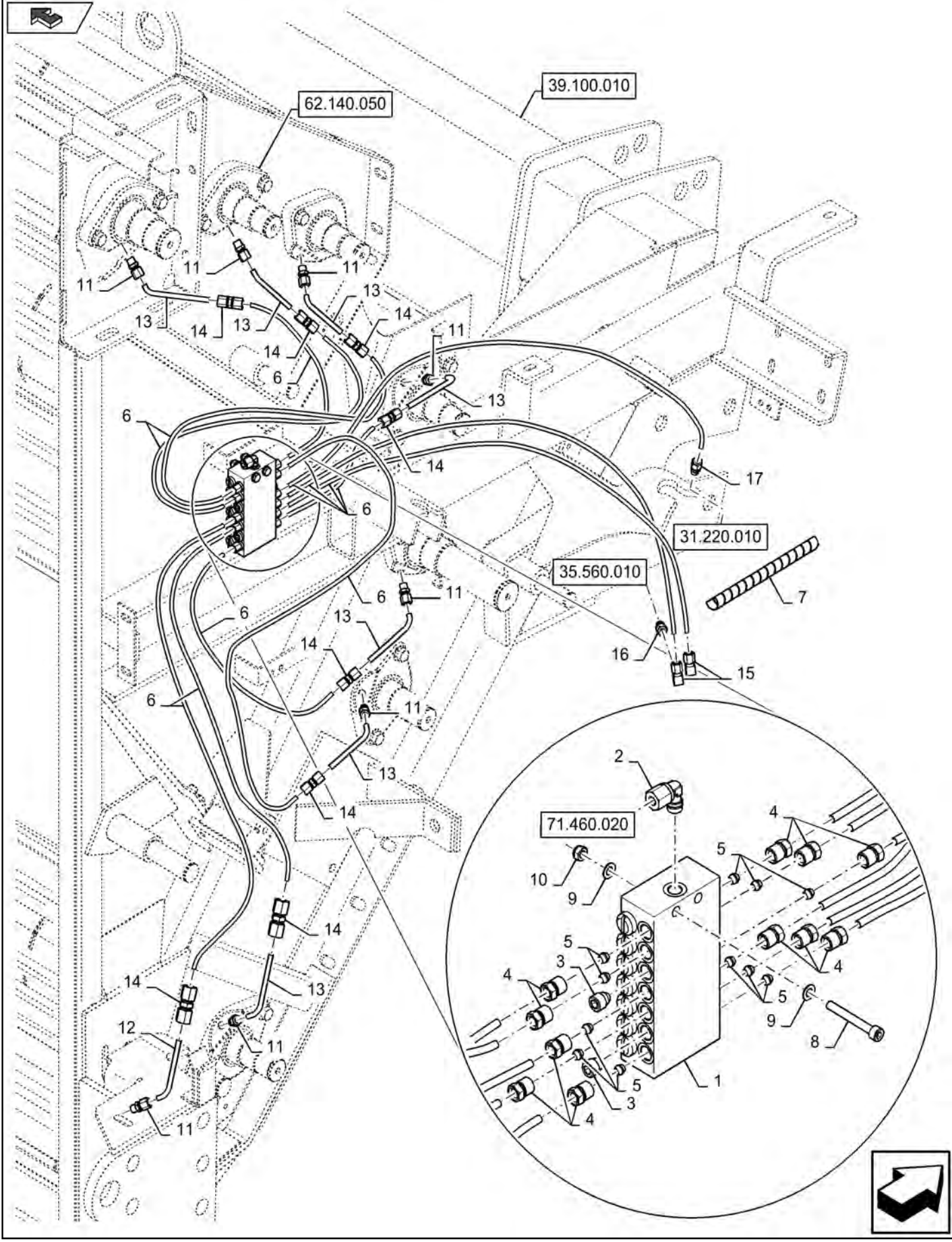


GREASING TAIL GATE ROLLS LH

REF FN	PART NUMBER	YR/SN	QTY DESCRIPTION
1	47868618		1 FLOW DIVIDER
2	47868614		1 FITTING
3	47868613		10 SEALING RING
4	47868612		10 NUT
5	47868610		AR HOSE
6	47868609		AR PROTECTOR
7	86977790		2 BOLT Hex, M6 x 45mm, CI 8.8
8	86517328		4 LOCK WASHER 6.1mm ID x 11.8mm OD x 1.7mm Thk
9	86500688		2 NUT Hex, M6 x 1.0, CI 10.9
10	84807240		4 NIPPLE
11	84807242		6 NIPPLE

Orkel GP 1270 Kombi/ Orkel GP 1270S

GREASIG FRAME ROLLS RH

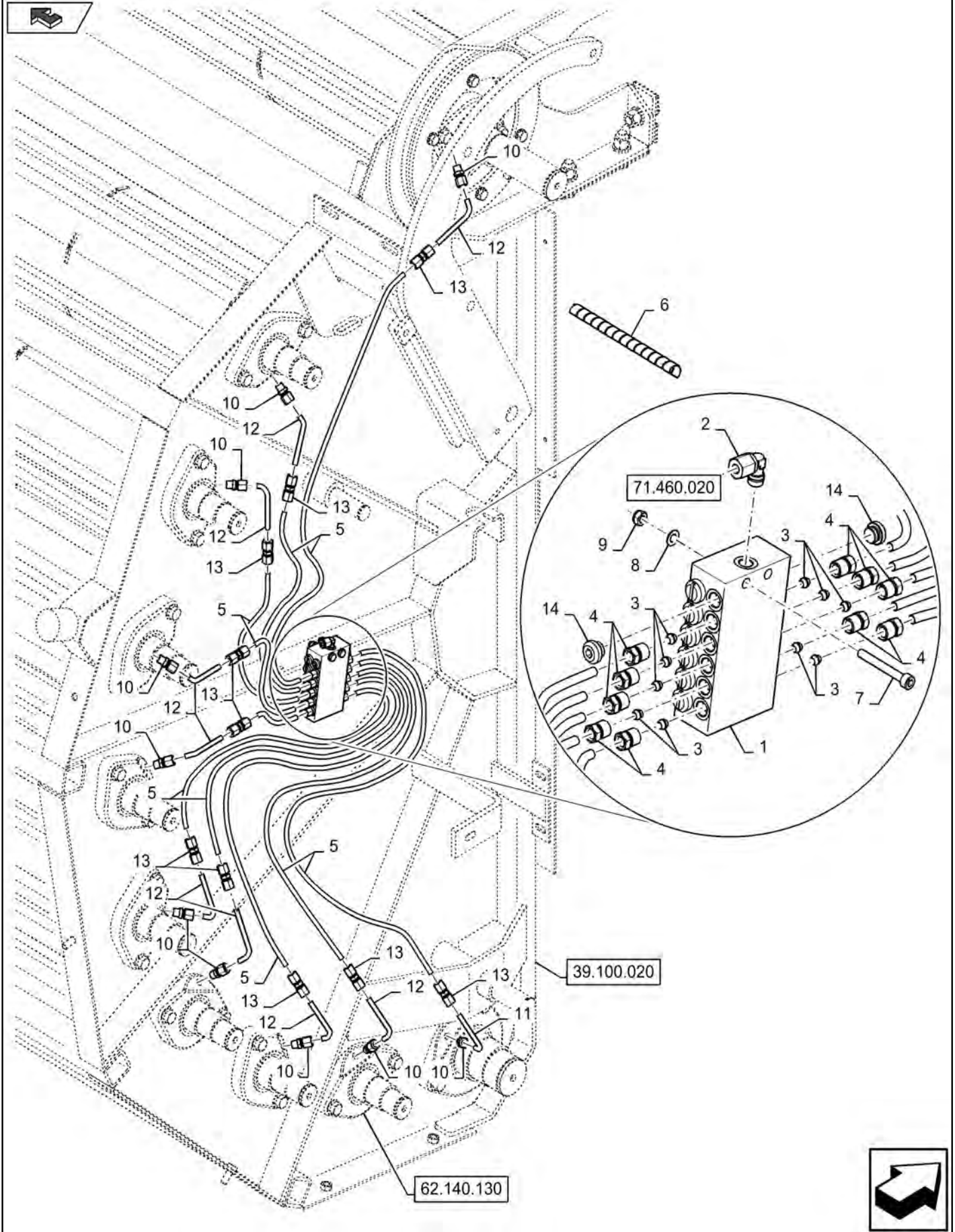


GREASIG FRAME ROLLS RH

REF FN	PART NUMBER	YR/SN	QTY DESCRIPTION
1	47868608		1 FLOW DIVIDER
2	47868614		1 FITTING
3	47868611		3 PLUG
4	47868612		11 NUT
5	47868613		11 SEALING RING
6	47868610		AR HOSE
7	47868609		AR PROTECTOR
8	86500688		2 NUT Hex, M6 x 1.0, CI 10.9
9	86517328		4 LOCK WASHER 6.1mm ID x 11.8mm OD x 1.7mm Thk
10	86500688		2 NUT Hex, M6 x 1.0, CI 10.9
11	84310718		8 FITTING
12	47868266		1 PIPE
13	47868267		7 PIPE
14	47868265		8 FITTING
15	84807242		2 NIPPLE
16	48026344		1 ADAPTER
17	48026345		1 FITTING

Orkel GP 1270 Kombi/ Orkel GP 1270S

GREASING TAIL GATE ROLLS RH

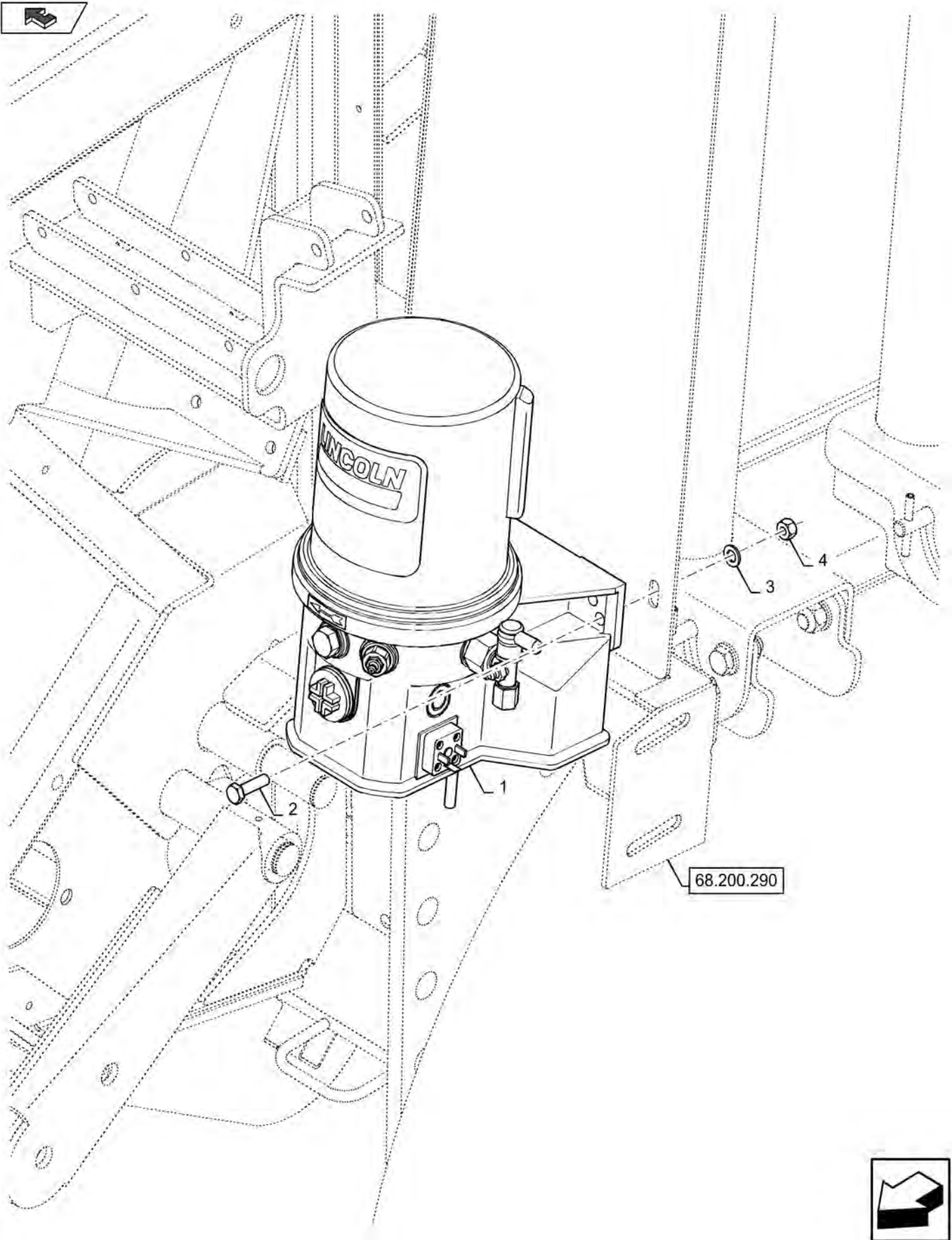


GREASING TAIL GATE ROLLS RH

REF FN	PART NUMBER	YR/SN	QTY DESCRIPTION
1	47868615		1 FLOW DIVIDER
2	47868614		1 FITTING
3	47868613		10 SEALING RING
4	47868612		10 NUT
5	47868610		AR HOSE
6	47868609		AR PROTECTOR
7	86977790		2 BOLT Hex, M6 x 45mm, CI 8.8
8	86517328		4 LOCK WASHER 6.1mm ID x 11.8mm OD x 1.7mm Thk
9	86500688		2 NUT Hex, M6 x 1.0, CI 10.9
10	84310718		10 FITTING
11	47868266		1 PIPE
12	47868267		9 PIPE
13	47868265		10 FITTING
14	47868611		2 PLUG

Orkel GP 1270 Kombi/ Orkel GP 1270S

GREASE PUMP



71.460.070

p1

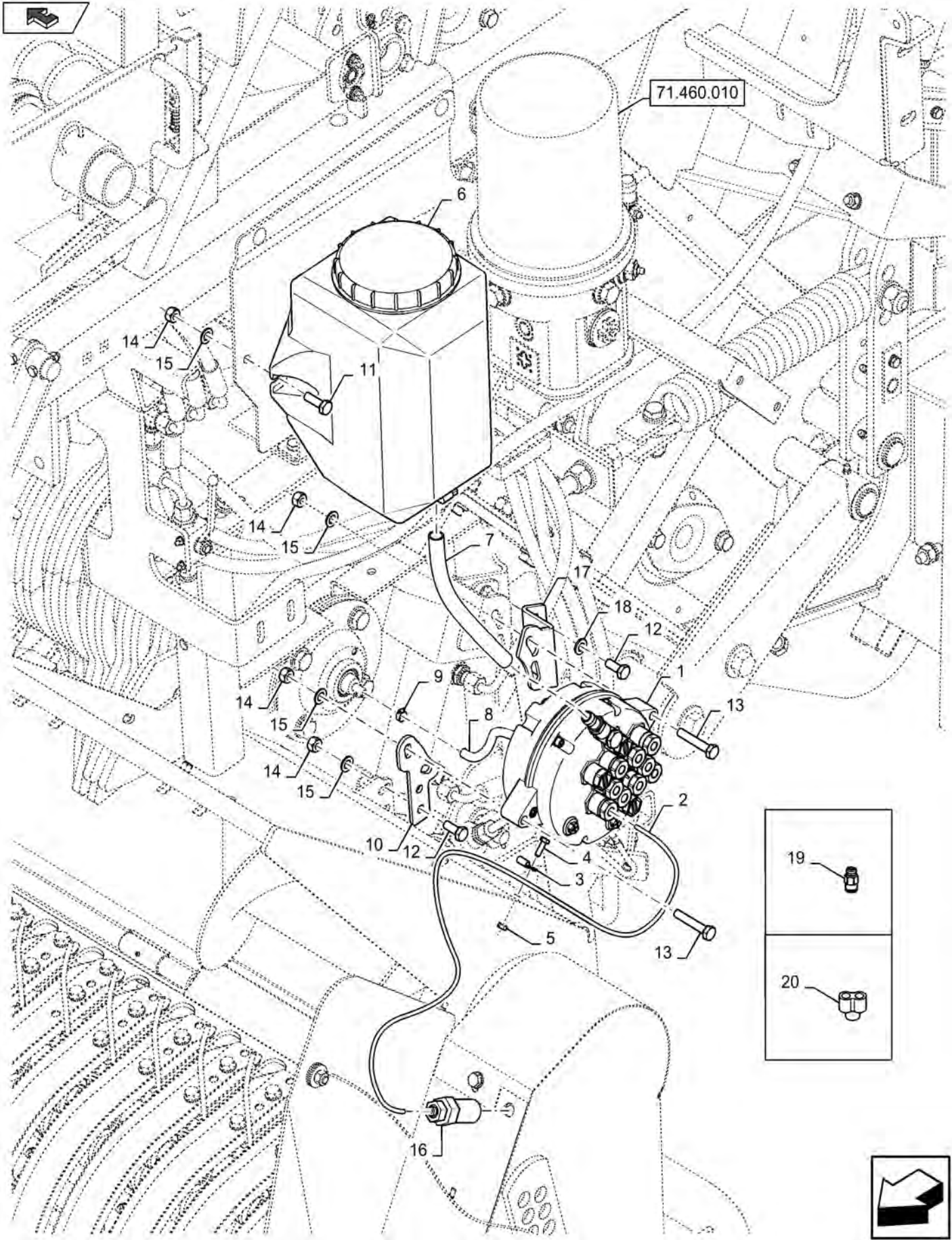
4/2017

GREASE PUMP

REF FN	PART NUMBER	YR/SN	QTY DESCRIPTION
1	84312795		1 PUMP
2	43128		2 BOLT M8 x 1.25 x 30mm, CI 8.8
3	86624184		2 WASHER 9mm ID x 16mm OD x 1.6mm Thk
4	437013		2 NUT

Orkel GP 1270 Kombi/ Orkel GP 1270S

OILING PUMP

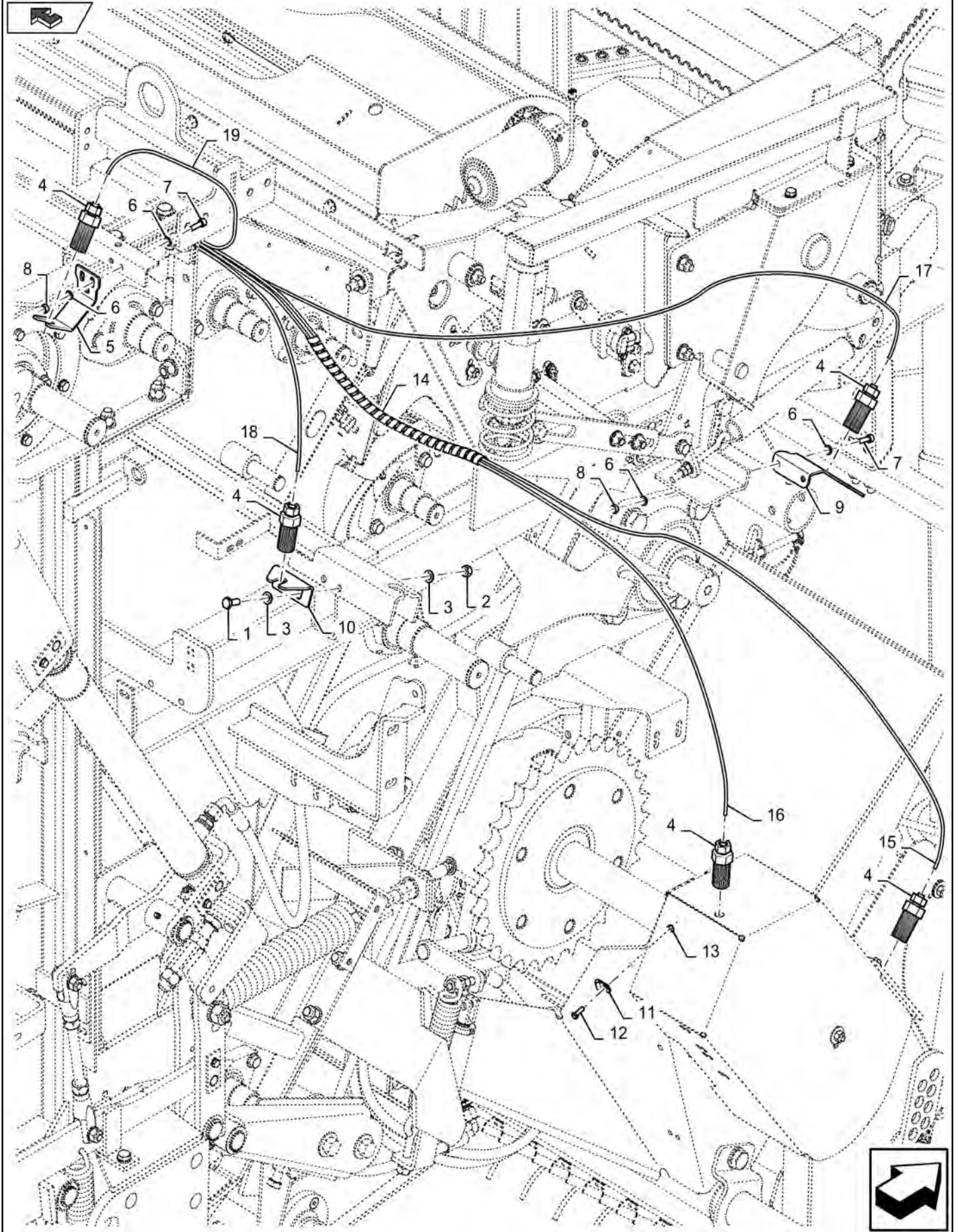


OILING PUMP

REF FN	PART NUMBER	YR/SN	QTY DESCRIPTION
1	47868279		1 LUBE PUMP
2	47868285		1 HOSE L=0.5M
3	47799518		2 CLAMP
4	10977821		2 BOLT M5 x 19.65mm OAL, CI 8.8
5	86508813		2 NUT M5, CI 8
6	47868281		1 RESERVOIR
7	47868288		1 HOSE L=0.7M
8	47868286		1 HOSE L=0.07M
9	47868283		2 CLAMP
10	47878258		1 BRACKET
11	43127		2 BOLT Hex, M8 x 1.25 x 25mm, CI 8.8
12	120104		4 BOLT Hex, M8 x 1.25 x 20mm, CI 8.8
13	386045		2 BOLT Hex, M8 x 1.25 x 45mm, CI 8.8
14	437013		6 NUT
15	86624184		6 WASHER 9mm ID x 16mm OD x 1.6mm Thk
16	9822519		1 COMMUTATOR BRUSH
17	47944101		1 BRACKET
18	11193871		2 BELLEVILLE WASHER M8 Bolt Size x 16mm OD x 1.4mm Thk
19	47868282		1 FITTING
20	47929686		3 FITTING

Orkel GP 1270 Kombi/ Orkel GP 1270S

BALE FORMATION AND PICK-UP OILING



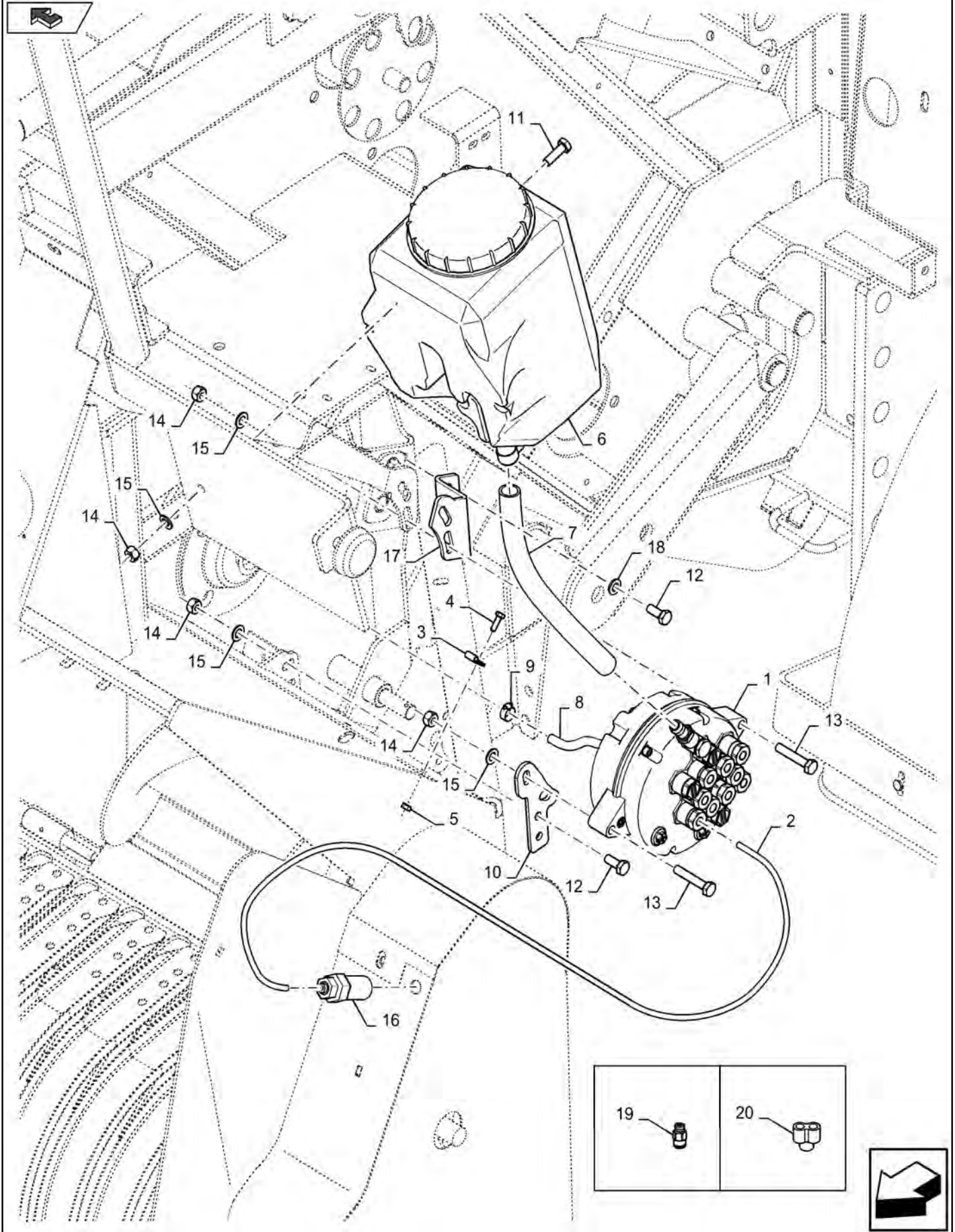
BALE FORMATION AND PICK-UP OILING

REF FN	PART NUMBER	YR/SN	QTY DESCRIPTION
1	120104		2 BOLT Hex, M8 x 1.25 x 20mm, CI 8.8
2	437013		2 NUT
3	86624184		4 WASHER 9mm ID x 16mm OD x 1.6mm Thk
4	1 9822519		6 COMMUTATOR BRUSH
5	47906552		1 BRACKET
6	86588450		8 WASHER 6.6mm ID x 12mm OD x 1.6mm Thk
7	86531615		4 HEX SOC SCREW M6 x 20mm, CI 8.8
8	86500688		4 NUT Hex, M6 x 1.0, CI 10.9
9	47986756		1 BRACKET
10	48037160		1 BRACKET
11	47799518		5 CLAMP
12	10977821		5 BOLT M5 x 19.65mm OAL, CI 8.8
13	86508813		5 NUT M5, CI 8
14	47868269		1 PROTECTOR
15	47868285		1 HOSE L=6.6M
16	47868285		1 HOSE L=6.2M
17	47868285		2 HOSE L=5.6M
18	47868285		1 HOSE L=4.15M
19	47868285		1 HOSE L=3.4M

(1) MAINTENANCE PART

Orkel GP 1270 Kombi/ Orkel GP 1270S

OILING PUMP

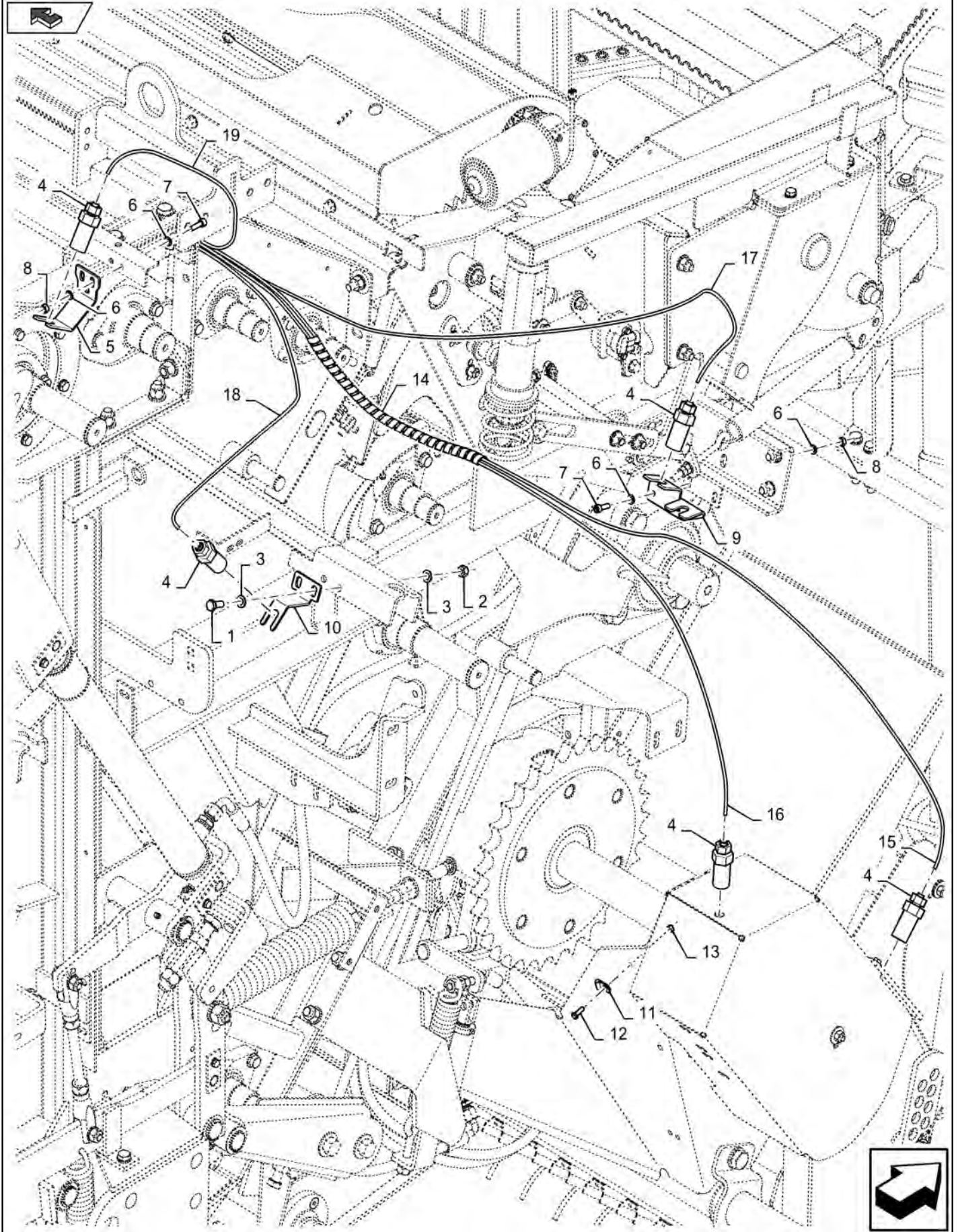


OILING PUMP

REF FN	PART NUMBER	YR/SN	QTY DESCRIPTION
1	47868279		1 LUBE PUMP
2	47868285		1 HOSE L = 5 M
3	47799518		2 CLAMP
4	10977821		2 BOLT M5 x 19.65mm OAL, CI 8.8
5	86508813		2 NUT M5, CI 8
6	47868281		1 RESERVOIR
7	47868288		1 HOSE
8	47868286		1 HOSE L=0,07M
9	47868283		2 CLAMP
10	47878258		1 BRACKET
11	43127		2 BOLT Hex, M8 x 1.25 x 25mm, CI 8.8
12	120104		4 BOLT Hex, M8 x 1.25 x 20mm, CI 8.8
13	386045		2 BOLT Hex, M8 x 1.25 x 45mm, CI 8.8
14	437013		6 NUT
15	86624184		6 WASHER 9mm ID x 16mm OD x 1.6mm Thk
16	9822519		1 COMMUTATOR BRUSH
17	47944101		1 BRACKET
18	11193871		2 BELLEVILLE WASHER M8 Bolt Size x 16mm OD x 1.4mm Thk
19	47868282		1 FITTING
20	47929686		3 FITTING

Orkel GP 1270 Kombi/ Orkel GP 1270S

BALE FORMATION AND PICK-UP OILING



BALE FORMATION AND PICK-UP OILING

REF FN	PART NUMBER	YR/SN	QTY DESCRIPTION
1	120104		2 BOLT Hex, M8 x 1.25 x 20mm, CI 8.8
2	437013		2 NUT
3	86624184		4 WASHER 9mm ID x 16mm OD x 1.6mm Thk
4	1 9822519		6 COMMUTATOR BRUSH
5	47906552		1 BRACKET
6	86588450		8 WASHER 6.6mm ID x 12mm OD x 1.6mm Thk
7	86531615		4 HEX SOC SCREW M6 x 20mm, CI 8.8
8	86500688		4 NUT Hex, M6 x 1.0, CI 10.9
9	47906563		1 BRACKET
10	48037160		1 BRACKET
11	47799518		5 CLAMP
12	10977821		5 BOLT M5 x 19.65mm OAL, CI 8.8
13	86508813		5 NUT M5, CI 8
14	47868269		1 PROTECTOR
15	47868285		1 HOSE L=6,6M
16	47868285		1 HOSE L=6,2M
17	47868285		1 HOSE L=5,6M
18	47868285		1 HOSE L=4,15M
19	47868285		1 HOSE L=3,4M
(1)	MAINTENANCE PART		

Orkel GP 1270 Kombi/ Orkel GP 1270S

SECTION INDEX

ACCESSORIES

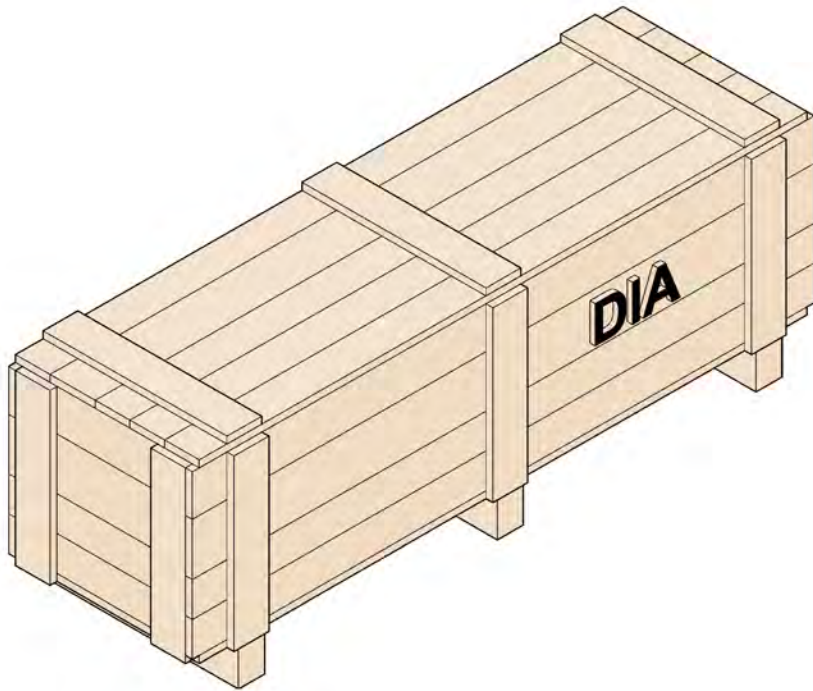
88.000.00		SECTION INDEX - ACCESSORIES
88.033.001	01	DIA KIT: PNEUMATIC BRAKE KIT - (NOT APPROVED ACCORDING TO EU REGULATION 2015/68)
88.033.001	02	DIA KIT: PNEUMATIC BRAKE KIT - (NOT APPROVED ACCORDING TO EU REGULATION 2015/68)
88.033.001	03	DIA KIT: PNEUMATIC BRAKE KIT - (NOT APPROVED ACCORDING TO EU REGULATION 2015/68)
88.033.001	04	DIA KIT: PNEUMATIC BRAKE KIT - (NOT APPROVED ACCORDING TO EU REGULATION 2015/68)
88.033.001	05	DIA KIT: PNEUMATIC BRAKE KIT - (NOT APPROVED ACCORDING TO EU REGULATION 2015/68)
88.033.020	01	DIA KIT: HYDRAULIC BRAKE KIT - (NOT APPROVED ACCORDING TO EU REGULATION 2015/68)
88.033.020	02	DIA KIT: HYDRAULIC BRAKE KIT - (NOT APPROVED ACCORDING TO EU REGULATION 2015/68)
88.055.010		DIA KIT : SIDE MARKER LIGHT KIT
88.055.020		DIA KIT : SIDE MARKER LIGHT KIT
88.055.030		DIA KIT : WORKING LIGHT KIT
88.055.040		DIA KIT: CAMERA KIT
88.055.050		DIA KIT, ROTATING BEACON
88.055.070		DIA KIT: COLOUR MONITOR - INTELLIVIEW™ IV/ AFS PRO 700 & TRACTOR WIRING
88.060.010		DIA KIT : PICK-UP DRIVE CLUTCH
88.060.020		DIA KIT : BLANK KNIVES KIT
88.060.030		DIA KIT : BLANK KNIVES KIT
88.060.040	01	DIA KIT: ROTOR DE-CLUTCH KIT
88.060.040	02	DIA KIT: ROTOR DE-CLUTCH KIT
88.060.040	03	DIA KIT: ROTOR DE-CLUTCH KIT
88.062.010		DIA KIT : STRAW KIT
88.068.010		DIA KIT : QUARTER TURN BALE KIT
88.068.020		DIA KIT : BALE DROP PROTECTION KIT
88.070.010		DIA KIT : BALE KICKER
88.090.010		DIA KIT : TOOLBOX

88.000.00

p1

4/2017

SECTION INDEX - ACCESSORIES



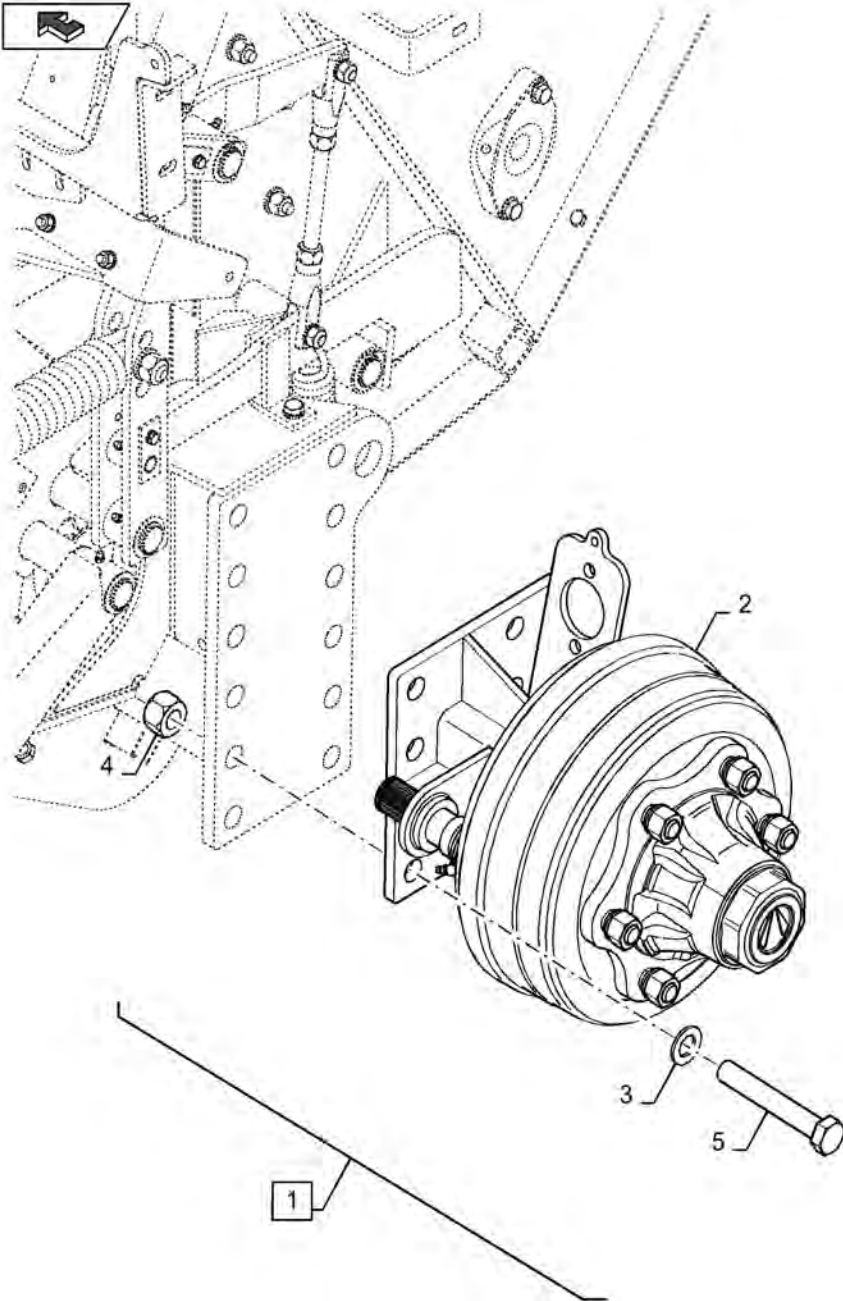
88.033.001

01

p1

4/2017

DIA KIT: PNEUMATIC BRAKE KIT - (NOT APPROVED ACCORDING TO EU REGULATION 2015/68)



88.033.001

01

p1

4/2017

DIA KIT: PNEUMATIC BRAKE KIT - (NOT APPROVED ACCORDING TO EU REGULATION 2015/68)

REF FN	PART NUMBER	YR/SN	QTY DESCRIPTION
1	47904134		1 DIA KIT, GP Incl 2 - 5 1 HUB
2	47666922		LH
2	47666969		1 HUB RH
3	86511327		12 WASHER 21mm ID x 37mm OD x 3mm Thk
4	725637		12 NUT M20 x 2.5, Cl 8
5	86601713		12 BOLT Hex, M20 x 65mm, Cl 8.8, Full Thd

Orkel GP 1270 Kombi/ Orkel GP 1270S

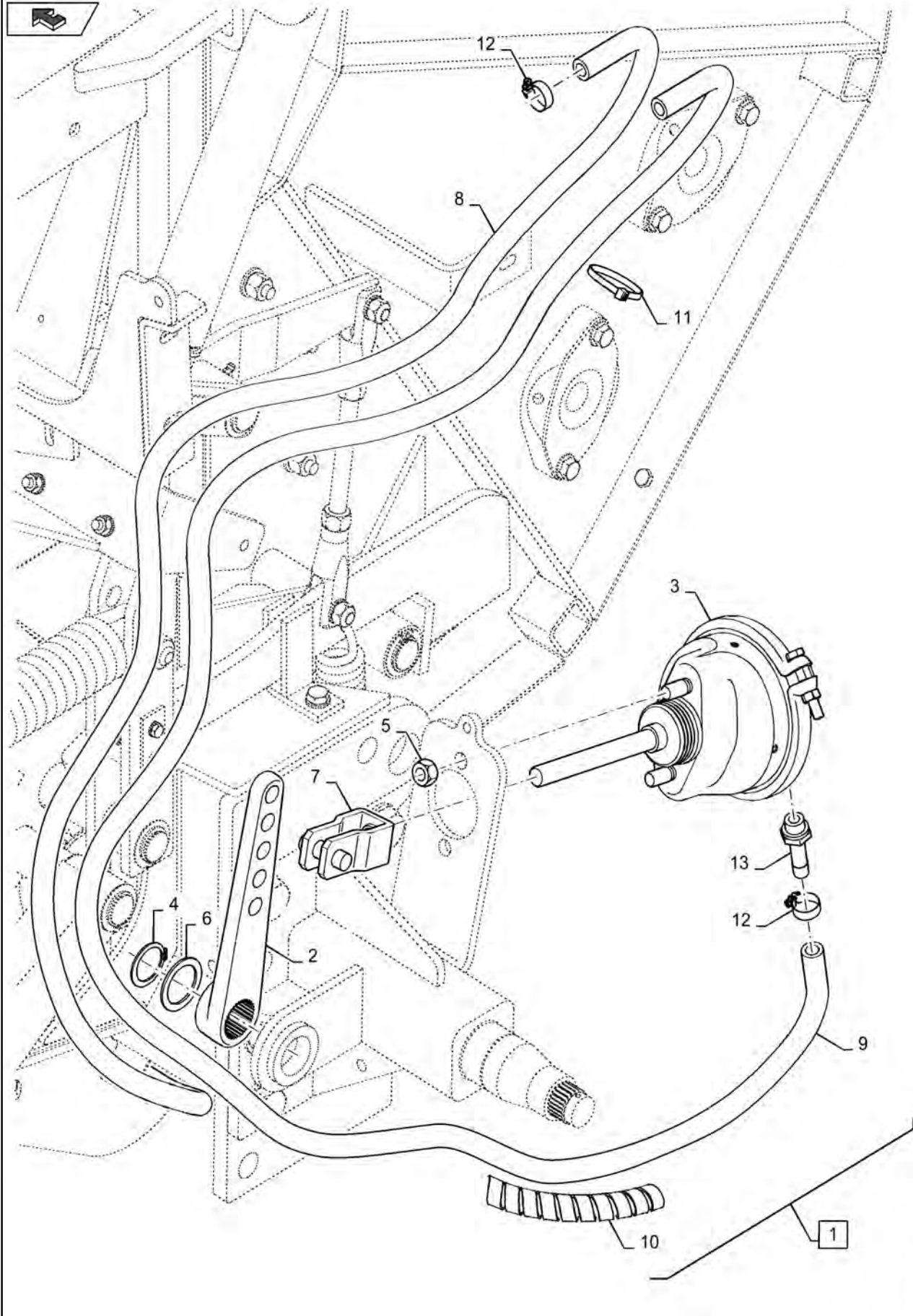
88.033.001

02

p1

4/2017

DIA KIT: PNEUMATIC BRAKE KIT - (NOT APPROVED ACCORDING TO EU REGULATION 2015/68)



88.033.001

02

p1

4/2017

DIA KIT: PNEUMATIC BRAKE KIT - (NOT APPROVED ACCORDING TO EU REGULATION 2015/68)

REF FN	PART NUMBER	YR/SN	QTY DESCRIPTION
1	47904134		1 DIA KIT, GP Incl 2 - 13
2	47670574		2 LEVER
3	47666972		2 DIAPHRAGM
4	9840045		2 CIRCLIP M32, Ext
5	330327		4 NUT M12 x 1.5, CI 8
6	47693800		2 WASHER
7	84078897		2 KIT
8	84014198		1 HOSE 18mm OD x 3.5mm Thk L=3.7M
9	84014198		1 HOSE 18mm OD x 3.5mm Thk L=2.1M
10	47507971		3 TUBE L=0.3M
11	86566989		4 CABLE TIE 208mm L
12	326082		4 CLAMP 18mm - 25mm
13	9512534		2 HYD CONNECTOR

Orkel GP 1270 Kombi/ Orkel GP 1270S

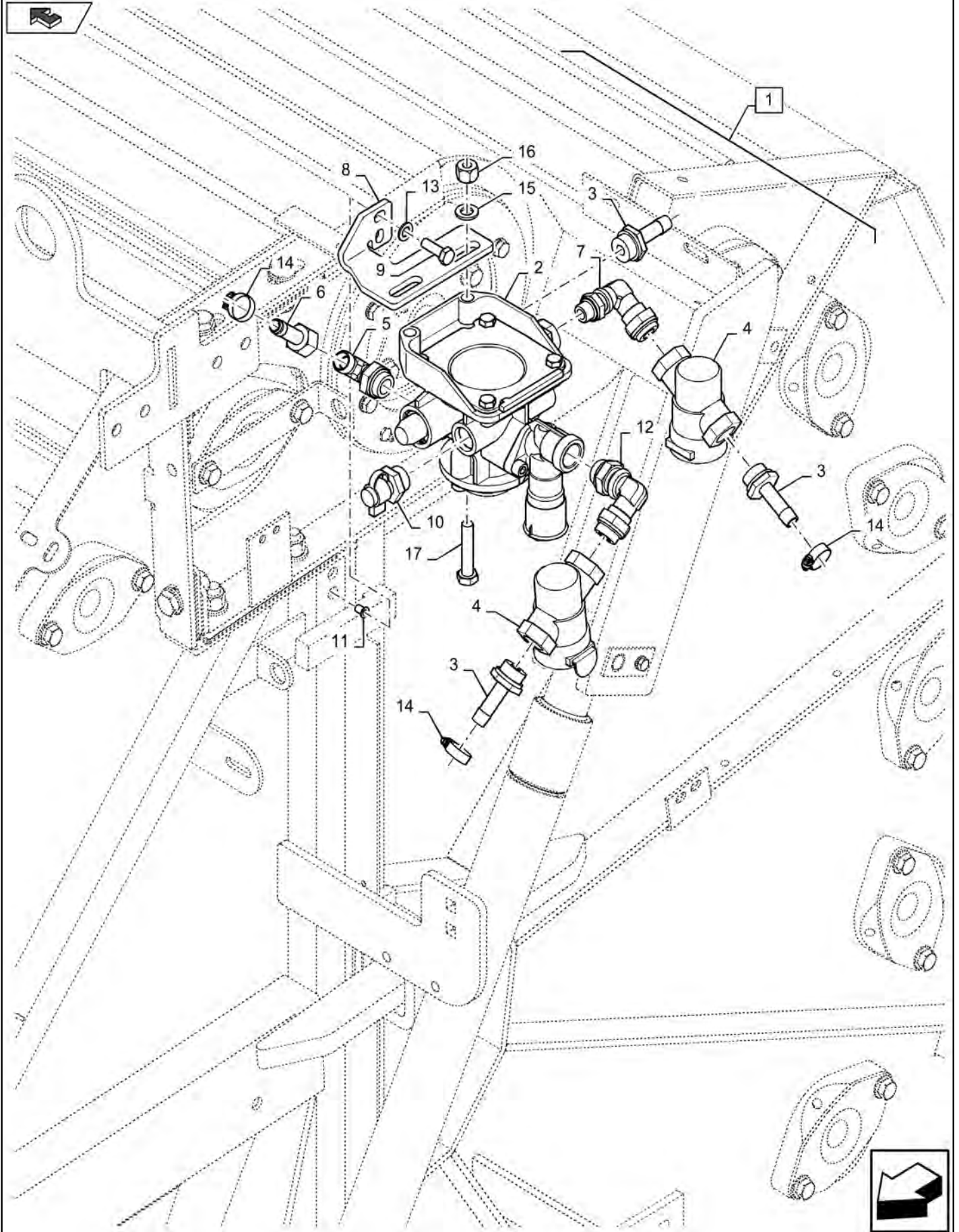
88.033.001

03

p1

4/2017

DIA KIT: PNEUMATIC BRAKE KIT - (NOT APPROVED ACCORDING TO EU REGULATION 2015/68)



88.033.001

03

p1

4/2017

DIA KIT: PNEUMATIC BRAKE KIT - (NOT APPROVED ACCORDING TO EU REGULATION 2015/68)

REF FN	PART NUMBER	YR/SN	QTY DESCRIPTION
1	47904134		1 DIA KIT, GP Incl 2 - 17
2	87019852		1 BRAKE VALVE
3	9512531		4 HYD CONNECTOR
4	9512545		2 AIR FILTER
5	47681484		1 FITTING
6	47681471		1 FITTING
7	47681488		1 90 ELBOW
8	47863358		1 MOUNTING PLATE
9	43127		2 BOLT Hex, M8 x 1.25 x 25mm, CI 8.8
10	9512540		1 HYD CONNECTOR
11	47447328		2 THREADED INSERT
12	47681487		1 90 ELBOW
13	86624184		2 WASHER 9mm ID x 16mm OD x 1.6mm Thk
14	326082		2 CLAMP 18mm - 25mm
15	86624176		2 WASHER 11mm ID x 20mm OD x 2mm Thk
16	12577211		2 LOCK NUT M10 x 1.5mm Pitch, 12.30mm High, CI 8, ZND
17	120069		2 BOLT M10 x 1.5 x 56.58mm OAL, CI 8.8

Orkel GP 1270 Kombi/ Orkel GP 1270S

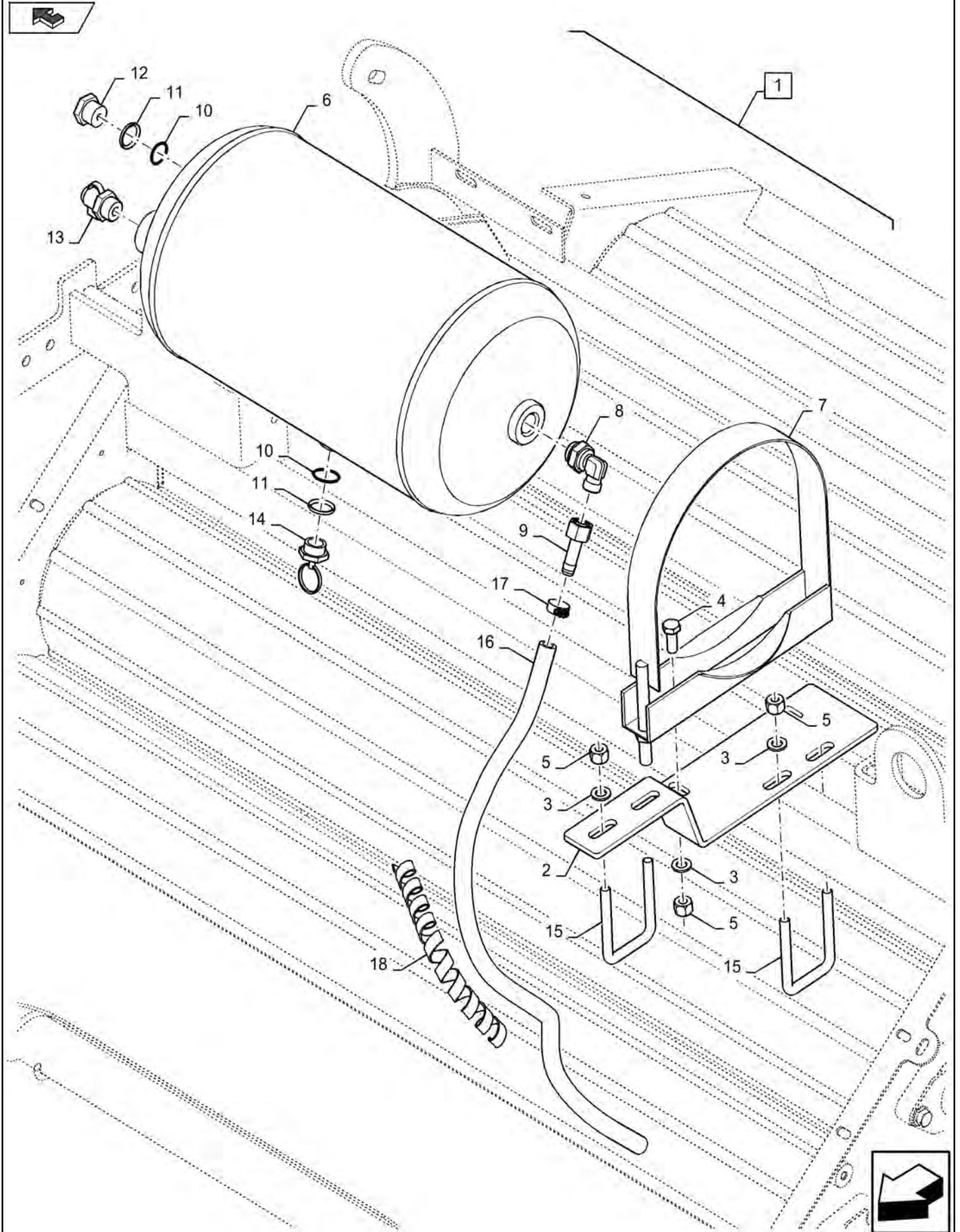
88.033.001

04

p1

4/2017

DIA KIT: PNEUMATIC BRAKE KIT - (NOT APPROVED ACCORDING TO EU REGULATION 2015/68)



DIA KIT: PNEUMATIC BRAKE KIT - (NOT APPROVED ACCORDING TO EU REGULATION 2015/68)

REF FN	PART NUMBER	YR/SN	QTY DESCRIPTION
1	47904134		1 DIA KIT, GP Incl 2 - 18
2	47863373		2 MOUNTING PLATE
3	86624176		12 WASHER 11mm ID x 20mm OD x 2mm Thk
4	43139		4 BOLT M10 x 1.5 x 25mm, Cl 8.8
5	12574511		12 LOCK NUT M10 x 1.25, Cl 8
6	84459203		1 AIR RESERVOIR
7	87028121		2 CLAMP
8	47681484		1 FITTING
9	47681471		1 FITTING
10	9512529		2 O-RING
11	9512530		2 WASHER, THRUST 22mm ID x 27mm OD x 2.6mm Thk
12	9512523		1 PLUG
13	9512540		1 HYD CONNECTOR
14	9512541		1 DRAIN PLUG
15	47863348		4 ROD
16	84014198		1 HOSE 18mm OD x 3.5mm Thk L=1.3M
17	326082		1 CLAMP 18mm - 25mm
18	47507971		2 TUBE L=0.4M

Orkel GP 1270 Kombi/ Orkel GP 1270S

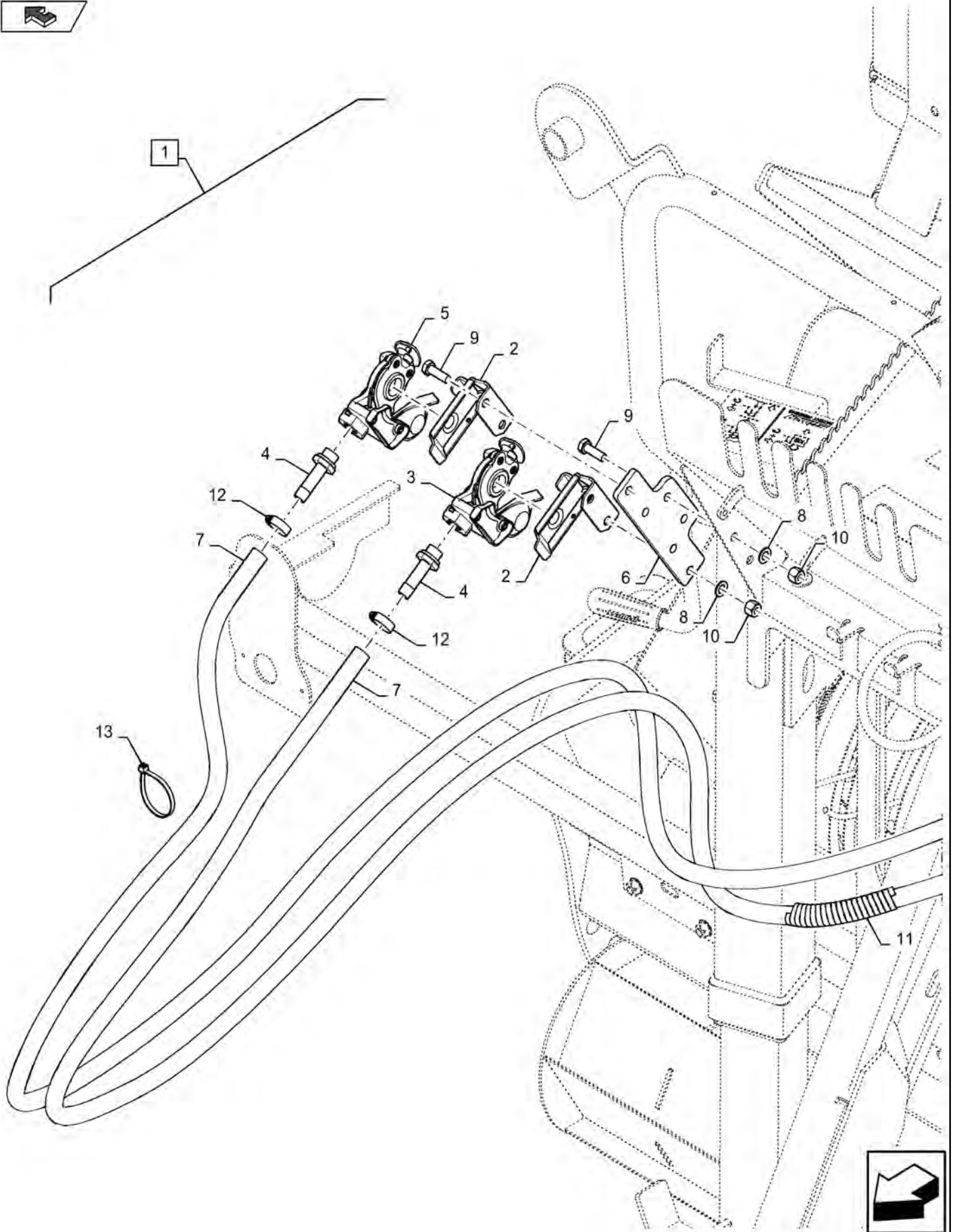
88.033.001

05

p1

4/2017

DIA KIT: PNEUMATIC BRAKE KIT - (NOT APPROVED ACCORDING TO EU REGULATION 2015/68)



88.033.001

05

p1

4/2017

DIA KIT: PNEUMATIC BRAKE KIT - (NOT APPROVED ACCORDING TO EU REGULATION 2015/68)

REF FN	PART NUMBER	YR/SN	QTY DESCRIPTION
1	47904134		1 DIA KIT, GP Incl 2 - 13 2
2	47681493		COUPLING
3	9512546		1 COUPLING BLOCK
4	9512534		2 HYD CONNECTOR
5	9512537		1 COUPLING BLOCK
6	47871312		1 MOUNTING PLATE
7	84014198		2 HOSE 18mm OD x 3.5mm Thk L=5M
8	86624184		6 WASHER 9mm ID x 16mm OD x 1.6mm Thk
9	43127		6 BOLT Hex, M8 x 1.25 x 25mm, CI 8.8
10	16104121		6 NUT M8 x 1.25, CI 10
11	47496805		2 TUBE L=0.4M
12	326082		2 CLAMP 18mm - 25mm
13	86566989		6 CABLE TIE 208mm L

Orkel GP 1270 Kombi/ Orkel GP 1270S

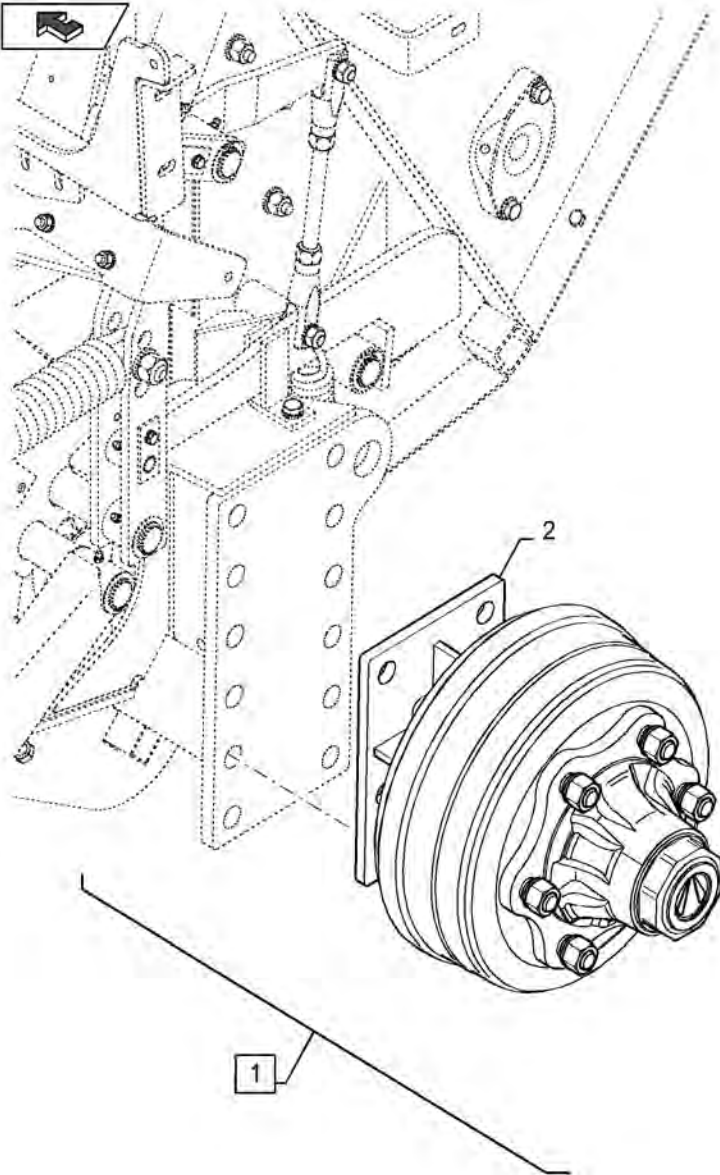
88.033.020

01

p1

4/2017

DIA KIT: HYDRAULIC BRAKE KIT - (NOT APPROVED ACCORDING TO EU REGULATION 2015/68)



88.033.020

01

p1

4/2017

DIA KIT: HYDRAULIC BRAKE KIT - (NOT APPROVED ACCORDING TO EU REGULATION 2015/68)

REF FN	PART NUMBER	YR/SN	QTY DESCRIPTION
1	47904133		1 DIA KIT, GP Incl 2 2 HUB
2	47493816		RH
2	47538474		2 HUB LH

Orkel GP 1270 Kombi/ Orkel GP 1270S

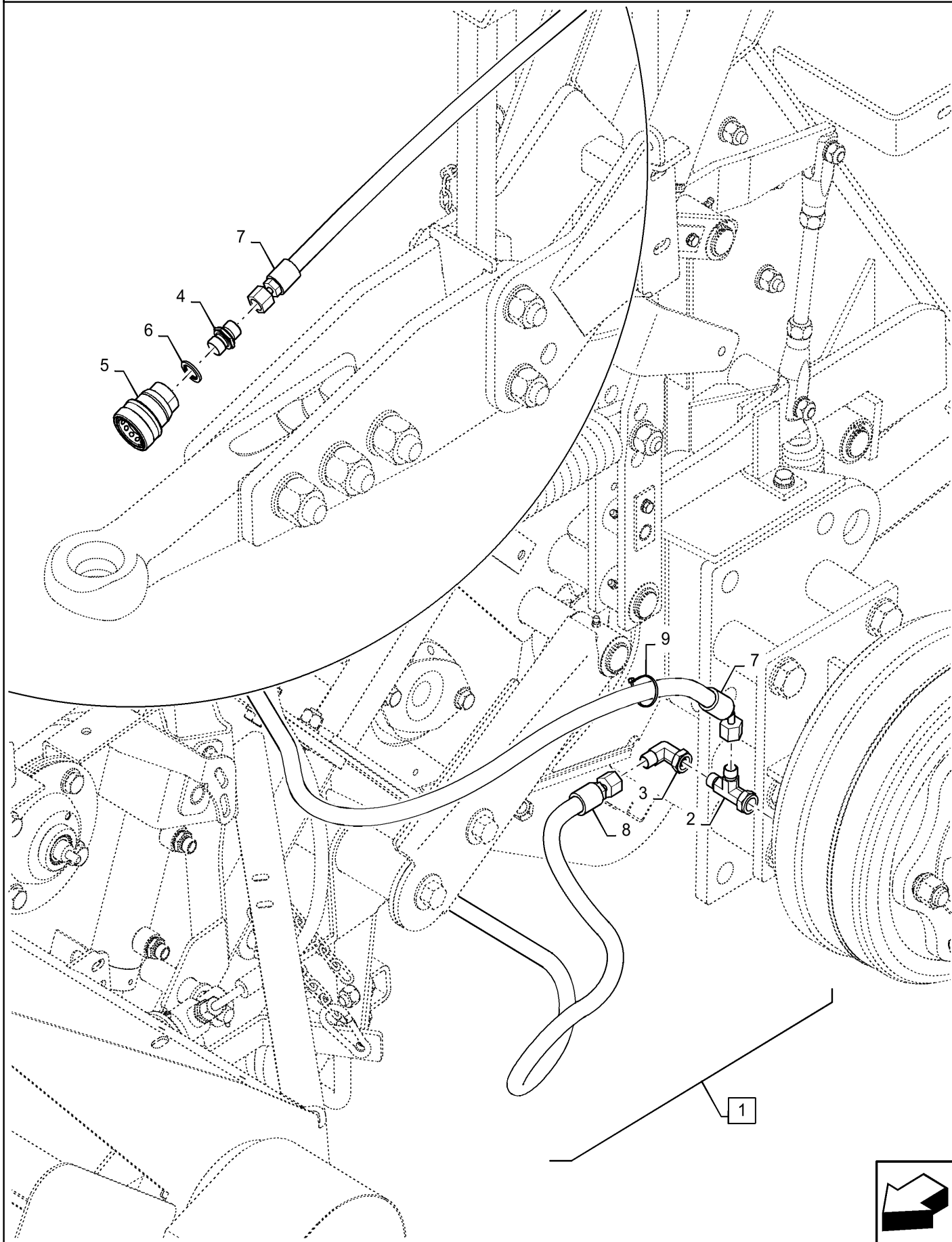
88.033.020

02

p1

4/2017

DIA KIT: HYDRAULIC BRAKE KIT - (NOT APPROVED ACCORDING TO EU REGULATION 2015/68)



88.033.020

02

p1

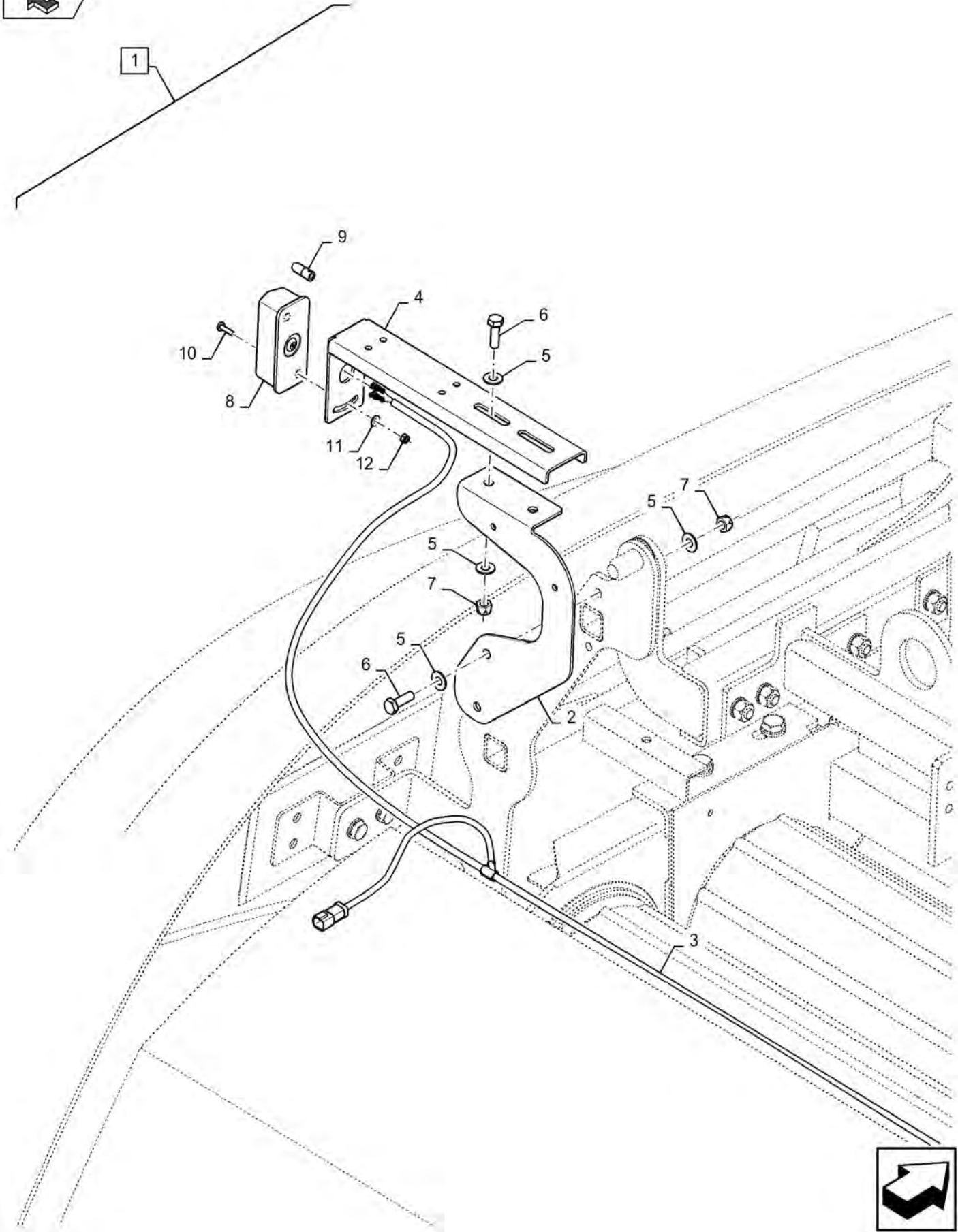
4/2017

DIA KIT: HYDRAULIC BRAKE KIT - (NOT APPROVED ACCORDING TO EU REGULATION 2015/68)

REF FN	PART NUMBER	YR/SN	QTY DESCRIPTION
1	47904133		1 DIA KIT, GP Incl 2 - 9
2	47498141		1 RUN TEE
3	47497798		1 90 ELBOW
4	47489346		1 UNION
5	47508037		1 COUPLING, QUICK, FEM
6	47490084		1 WASHER
7	47512160		1 HYDRAULIC HOSE 6.4mm ID x 5000mm L, SAE 100R16 L=5M
8	47512161		1 HYDRAULIC HOSE 6.4mm ID x 2400mm L, SAE 100R16 L=2.4M
9	L11541		6 CABLE TIE 203.2mm L, Nylon

Orkel GP 1270 Kombi/ Orkel GP 1270S

DIA KIT : SIDE MARKER LIGHT KIT

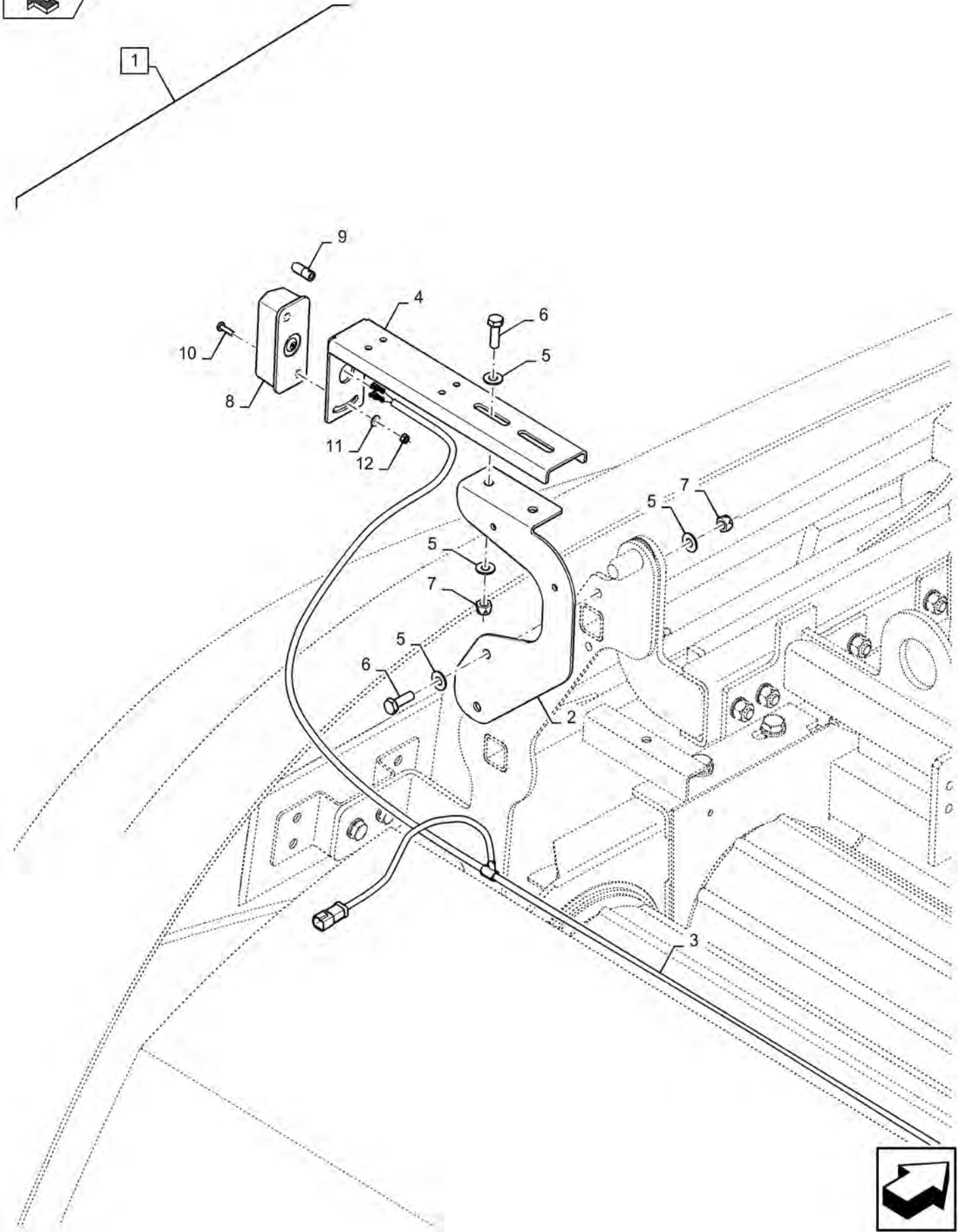


DIA KIT : SIDE MARKER LIGHT KIT

REF FN	PART NUMBER	YR/SN	QTY DESCRIPTION
1	47871138		1 DIA KIT, GP Incl 2 - 12 1
2	47873684		BRACKET LH
2	47873686		1 BRACKET RH
3	47926532		1 WIRE HARNESS
4	47865785		2 BRACKET
5	322358		16 BELLEVILLE WASHER M8 Bolt Size x 18mm OD x 1.4mm Thk
6	43127		8 BOLT Hex, M8 x 1.25 x 25mm, CI 8.8
7	43442		8 NUT
8	47381350		2 POSITION LAMP
9	353078		2 BULB T8/4, 12V, 4W
10	86511042		4 SCREW Pan Head, M4 x 0.7 x 16mm, CI 4.8
11	322355		4 BELLEVILLE WASHER M4 Bolt Size x 10mm OD x 0.9mm Thk
12	385681		4 NUT M4 x 0.7, CI 8

Orkel GP 1270 Kombi/ Orkel GP 1270S

DIA KIT : SIDE MARKER LIGHT KIT

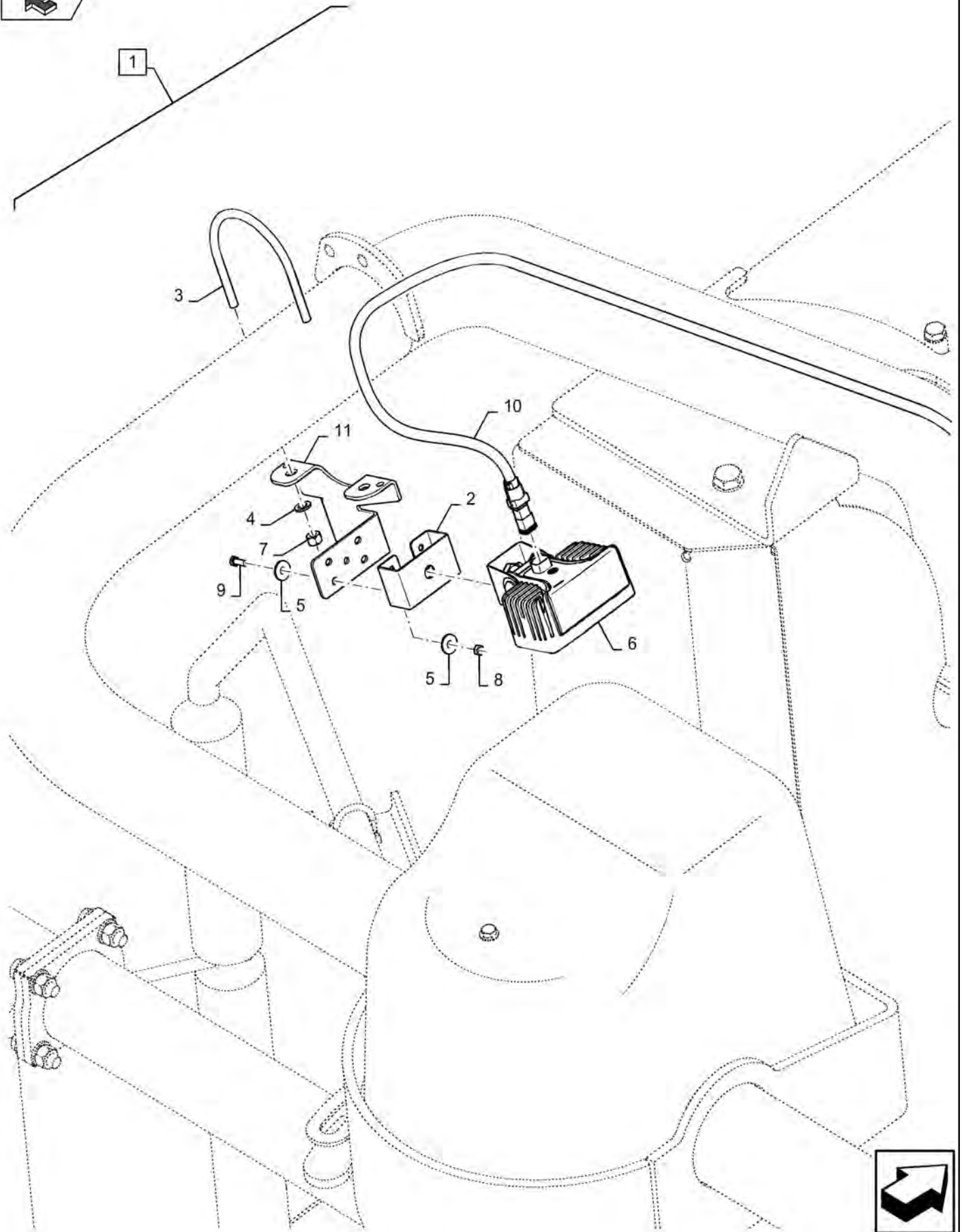


DIA KIT : SIDE MARKER LIGHT KIT

REF FN	PART NUMBER	YR/SN	QTY DESCRIPTION
1	47675673		1 DIA KIT, GP Incl 2 - 12 1
2	47865781		BRACKET LH
2	47865783		1 BRACKET RH
3	47926528		1 WIRE HARNESS
4	47865785		2 BRACKET
5	322358		16 BELLEVILLE WASHER M8 Bolt Size x 18mm OD x 1.4mm Thk
6	43127		8 BOLT Hex, M8 x 1.25 x 25mm, CI 8.8
7	43442		8 NUT
8	47381350		2 POSITION LAMP
9	353078		2 BULB T8/4, 12V, 4W
10	86511042		4 SCREW Pan Head, M4 x 0.7 x 16mm, CI 4.8
11	322355		4 BELLEVILLE WASHER M4 Bolt Size x 10mm OD x 0.9mm Thk
12	385681		4 NUT M4 x 0.7, CI 8

Orkel GP 1270 Kombi/ Orkel GP 1270S

DIA KIT : WORKING LIGHT KIT



88.055.030

p1

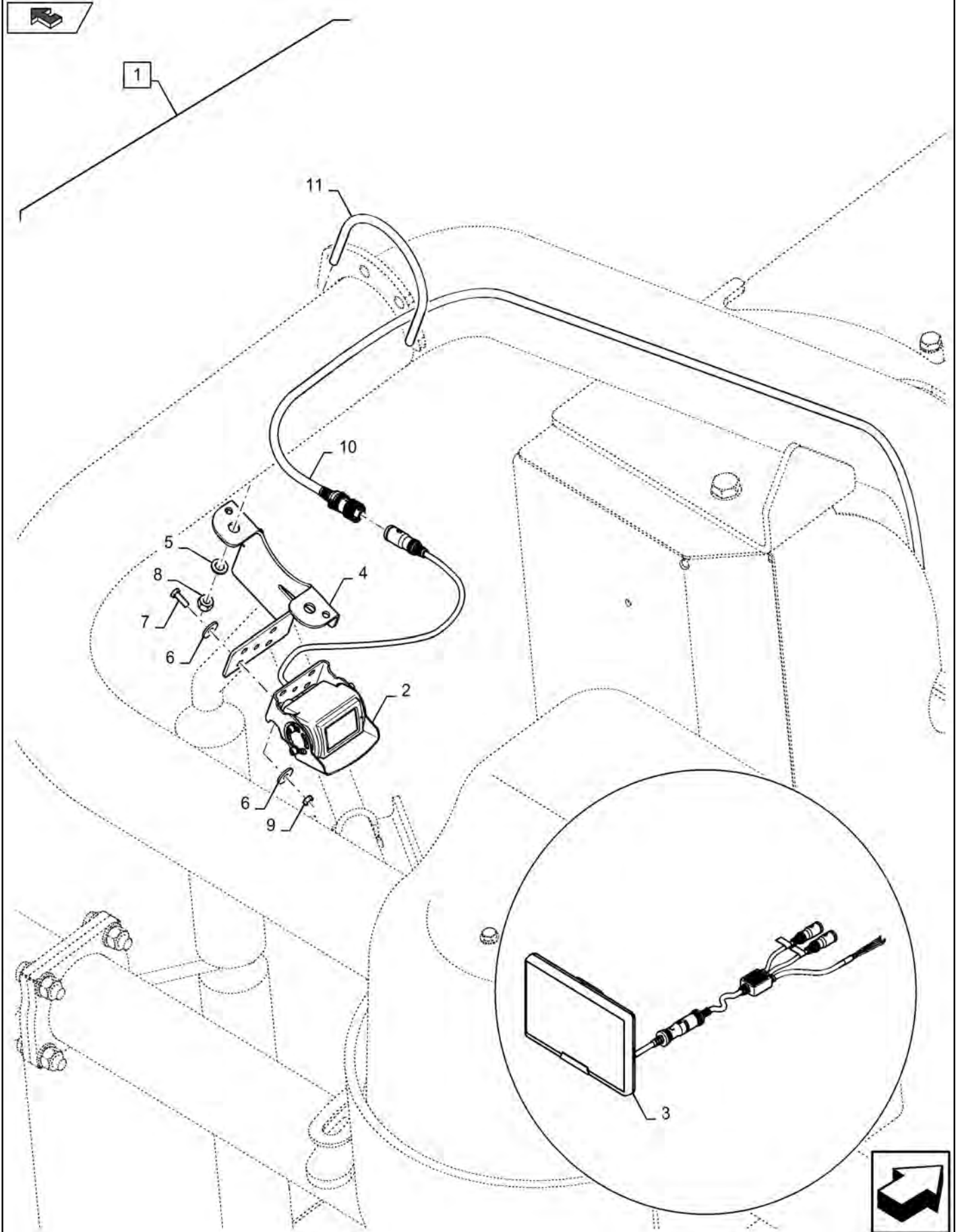
4/2017

DIA KIT : WORKING LIGHT KIT

REF FN	PART NUMBER	YR/SN	QTY DESCRIPTION
1	47876232		1 DIA KIT, GP Incl 2 - 11
2	47518838		1 MOUNTING PLATE
3	47898341		1 U-BOLT
4	86624184		2 WASHER 9mm ID x 16mm OD x 1.6mm Thk
5	84188433		4 WASHER 6.15mm ID x 18mm OD x 2mm Thk
6	84555763		1 WORK LAMP LED, 12V, Clear
7	437013		2 NUT
8	86508813		2 NUT M5, Cl 8
9	10977834		2 BOLT Hex, M5 x 16mm, Cl 10.9, Full Thd
10	47926056		1 WIRE HARNESS
11	47898340		1 BRACKET

Orkel GP 1270 Kombi/ Orkel GP 1270S

DIA KIT: CAMERA KIT



88.055.040

p1

4/2017

DIA KIT: CAMERA KIT

REF FN	PART NUMBER	YR/SN	QTY DESCRIPTION
1	47456637		1 DIA KIT, GP Incl 2 - 11
2	84315054		1 VIDEO CAMERA
3	84377704		1 MONITOR
4	47898340		1 BRACKET
5	86624184		2 WASHER 9mm ID x 16mm OD x 1.6mm Thk
6	84188433		8 WASHER 6.15mm ID x 18mm OD x 2mm Thk
7	10977821		4 BOLT M5 x 19.65mm OAL, CI 8.8
8	437013		2 NUT
9	86508813		4 NUT M5, CI 8
10	47501091		1 CABLE EXTENSION
11	47898341		1 U-BOLT

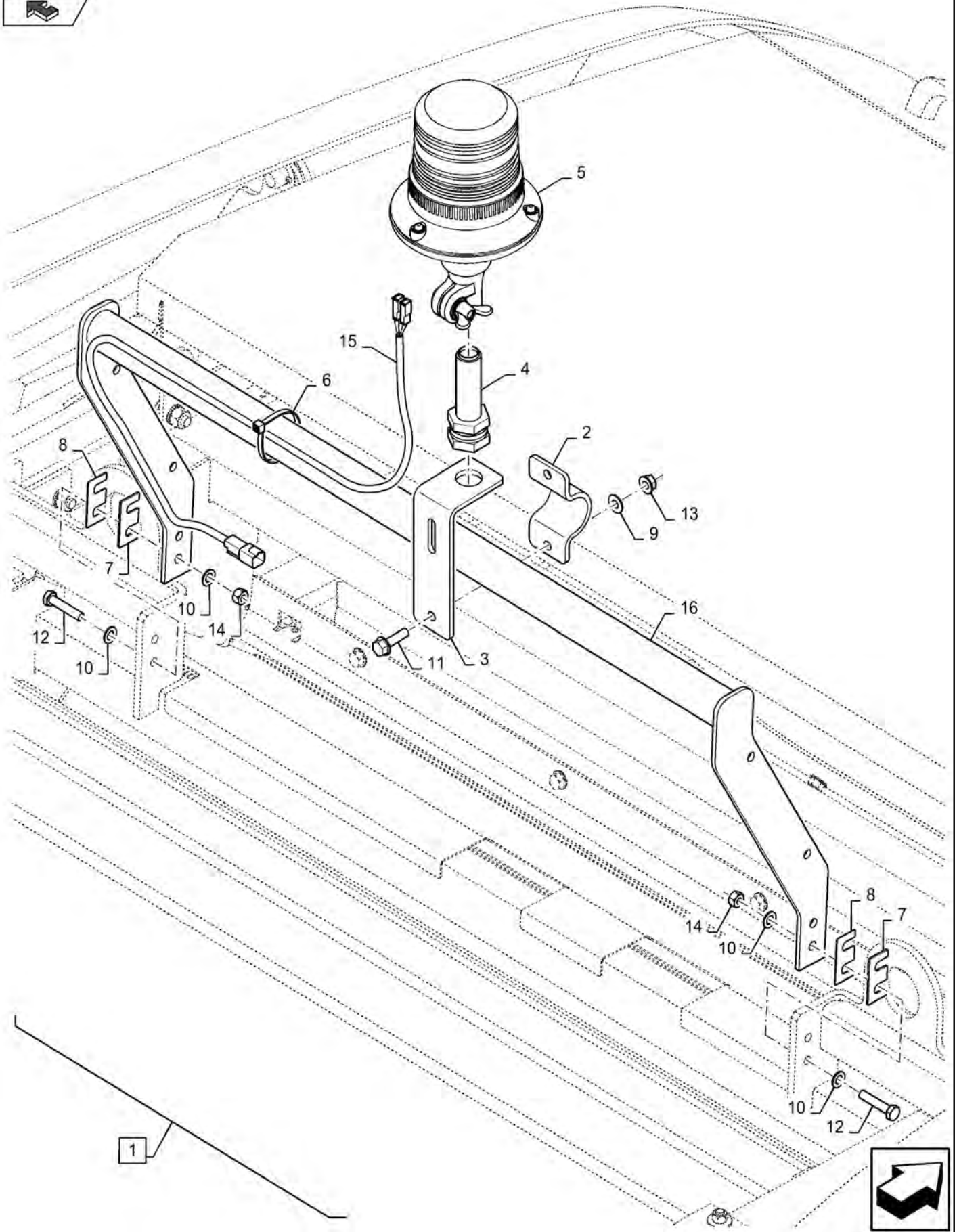
Orkel GP 1270 Kombi/ Orkel GP 1270S

88.055.050

p1

4/2017

DIA KIT, ROTATING BEACON

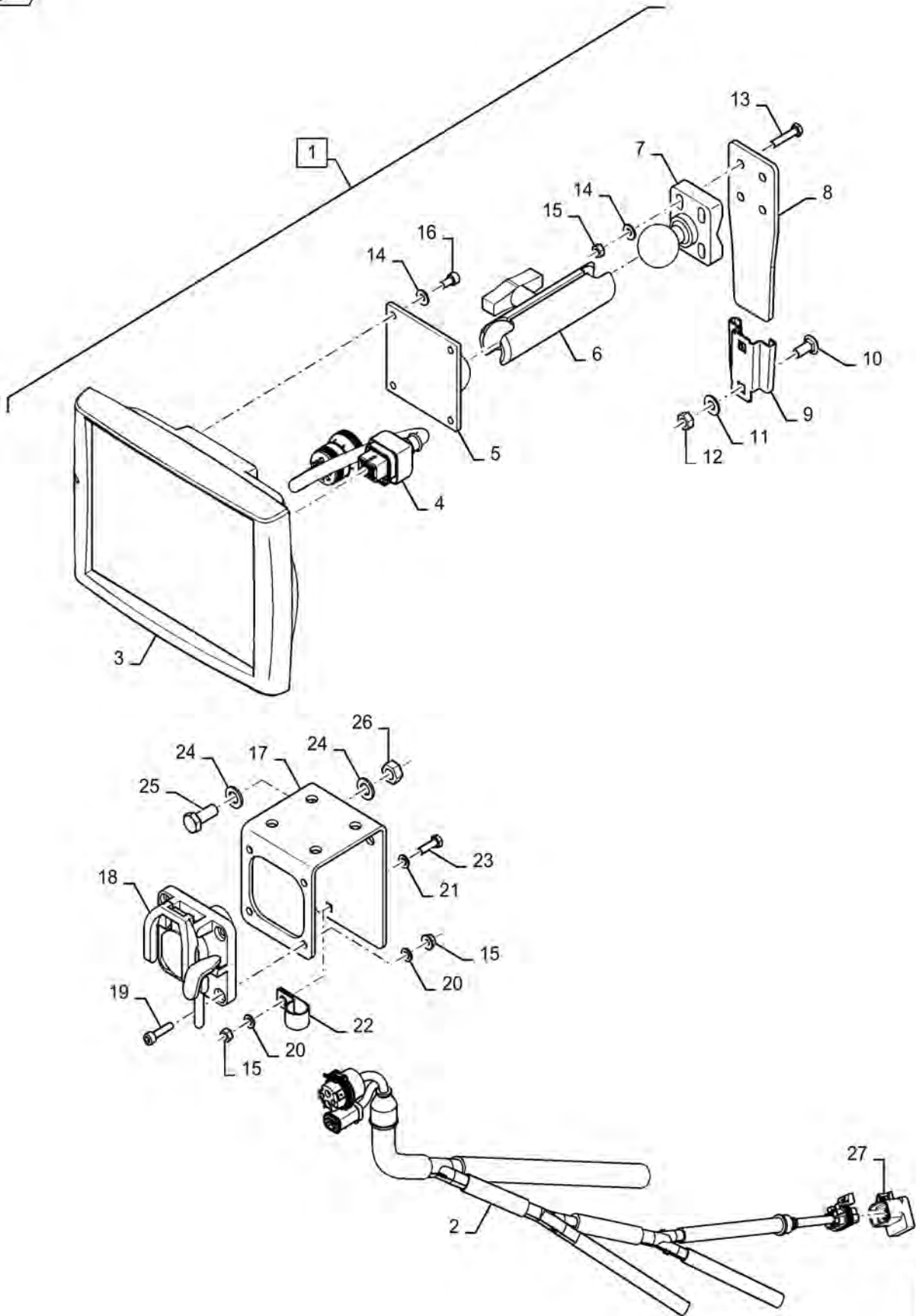


DIA KIT, ROTATING BEACON

REF FN	PART NUMBER	YR/SN	QTY DESCRIPTION
1	47675623		1 DIA KIT, GP Incl 2 - 16
2	87024645		1 CLAMP
3	47899406		1 BRACKET
4	9513422		1 BASE
5	47730264		1 BEACON
6	646223		5 STRAP 8.0" L
7	47613496		4 SHIM
8	47613497		6 SHIM
9	322358		2 BELLEVILLE WASHER M8 Bolt Size x 18mm OD x 1.4mm Thk
10	86624184		8 WASHER 9mm ID x 16mm OD x 1.6mm Thk
11	9804260		2 BOLT Hex, M8 x 1.25 x 30mm, Full Thd, CI 8.8
12	43129		4 BOLT Hex, M8 x 1.25 x 40mm, LH Thd, CI 8.8
13	9804277		2 FLANGE NUT Hex, M8 x 1.25, CI 8
14	437013		4 NUT
15	47930829		1 WIRE HARNESS
16	47871656		1 SUPPORT

Orkel GP 1270 Kombi/ Orkel GP 1270S

DIA KIT: COLOUR MONITOR - ORKEL PLUS IV MONITOR & TRACTOR WIRING



DIA KIT: COLOUR MONITOR - ORKEL PLUS IV MONITOR & TRACTOR WIRING

REF FN	PART NUMBER	YR/SN	QTY DESCRIPTION
1	47963722		1 DIA KIT, HARVESTER Incl 2 - 27
2	47752681		1 WIRE HARNESS
3	47963721		1 KIT
4	47533754		1 WIRE HARNESS
5	87386398		1 SUPPORTING ARM
6	87284257		1 ARM
7	87284259		1 PLATE
8	84348886		1 MOUNTING PLATE
9	9837606		1 CLIP
10	86507486		2 CARRIAGE BOLT M8 x 1.25 x 20mm, CI 8.8
11	322358		2 BELLEVILLE WASHER M8 Bolt Size x 18mm OD x 1.4mm Thk
12	9706690		2 NUT M8 x 1.25, CI 8
13	120101		4 BOLT Hex, M6 x 1 x 30mm, CI 8.8
14	322357		8 BELLEVILLE WASHER M6 Bolt Size x 14mm OD x 1.3mm Thk
15	9706755		9 NUT M6, CI 8
16	63582		4 HEX SOC SCREW M6 x 12mm, CI 8.8
17	47754590		1 MOUNTING PLATE
18	87522416		1 ELEC CONNECTOR Female, 5 Cavities
19	9832203		4 HEX SOC SCREW M6 x 25mm, CI 8.8, Full Thd
20	86588450		2 WASHER 6.6mm ID x 12mm OD x 1.6mm Thk
21	80681		4 LOCK WASHER 5/16"
22	9706732		1 CLAMP 19mm ID, 8.7mm Bolt Hole, P Type
23	120100		1 BOLT M6 x 20mm, CI 8.8
24	81547		4 LOCK WASHER 7/16"
25	43139		2 BOLT M10 x 1.5 x 25mm, CI 8.8
26	100016		2 NUT M10 x 1.5, CI 8
27	87601142		1 ELEC CONNECTOR Female, 6 Cavities

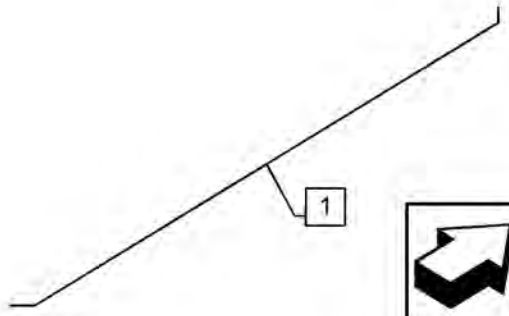
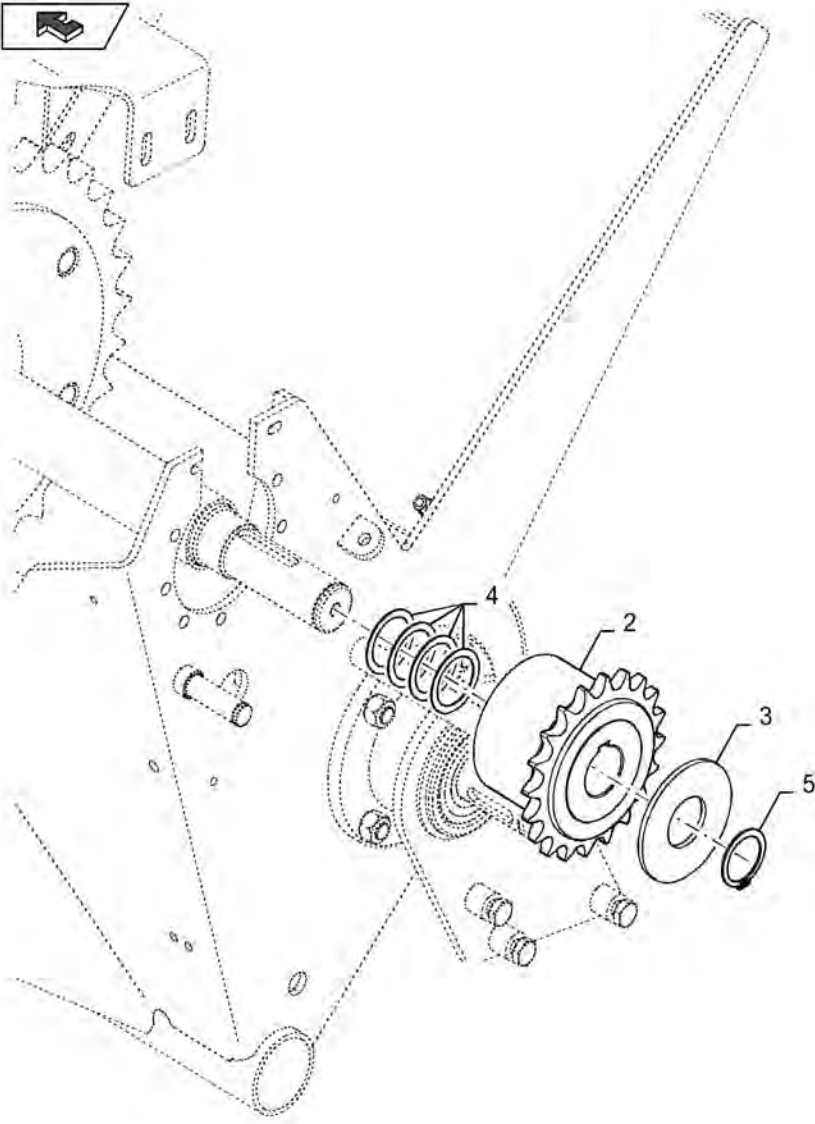
Orkel GP 1270 Kombi/ Orkel GP 1270S

88.060.010

p1

4/2017

DIA KIT : PICK-UP DRIVE CLUTCH



88.060.010

p1

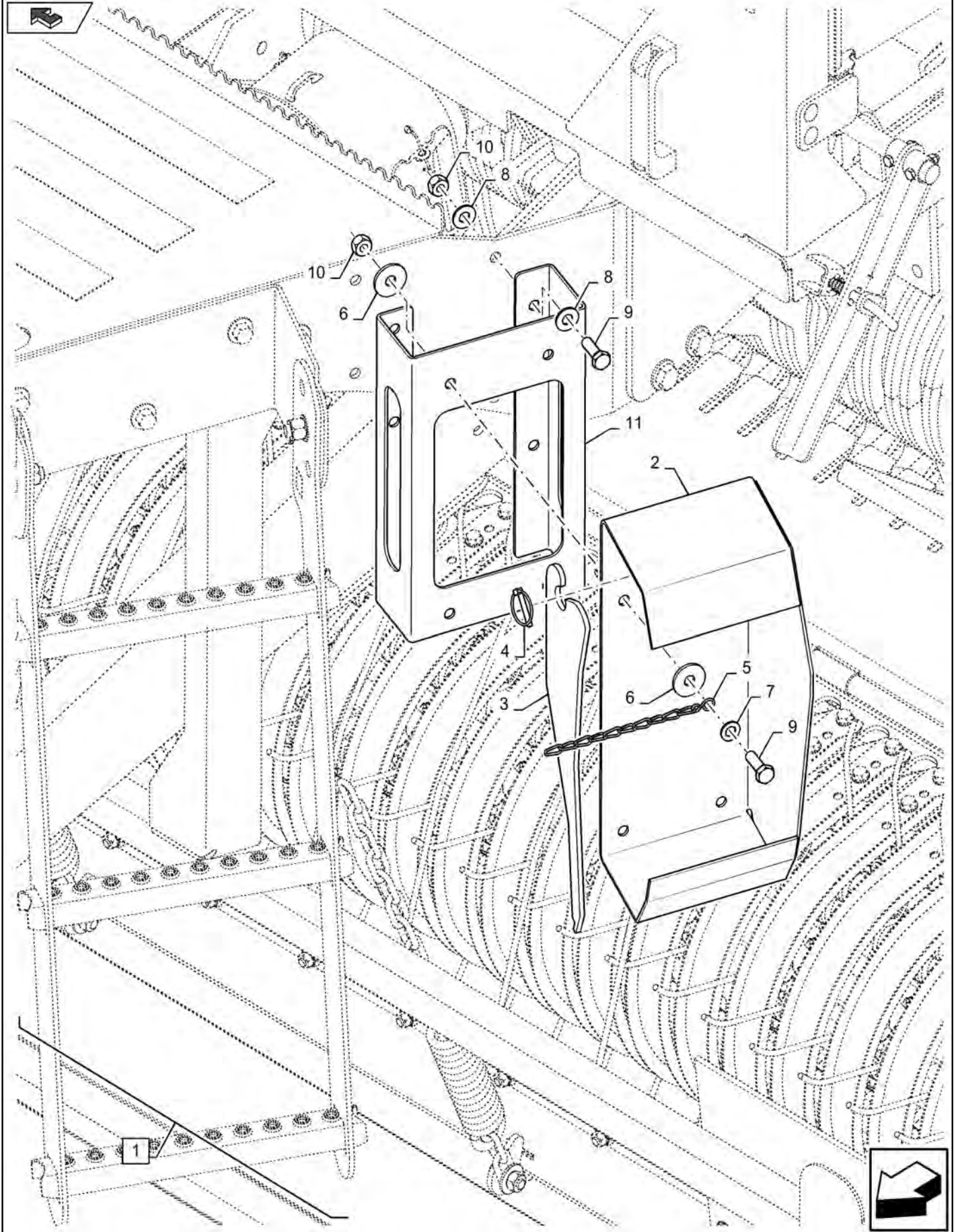
4/2017

DIA KIT : PICK-UP DRIVE CLUTCH

REF FN	PART NUMBER	YR/SN	QTY DESCRIPTION
1	47909504		1 DIA KIT, GP Incl 2 - 5
2	47481761		1 CLUTCH
3	47445808		1 PLATE
4	47450458		4 WASHER
5	370004		1 SNAP RING M35 x 1.5mm Thk, External

Orkel GP 1270 Kombi/ Orkel GP 1270S

DIA KIT : BLANK KNIVES KIT



DIA KIT : BLANK KNIVES KIT

REF FN	PART NUMBER	YR/SN	QTY DESCRIPTION
1	47904143		1 DIA KIT, GP Incl 2 -11 1
2	47454791		SUPPORT
3	47454788		20 SUPPORT
4	86508947		1 LINCH PIN 18.8mm OD
5	84025509		1 CHAIN 180mm L
6	140042		8 WASHER 11mm ID x 34mm OD x 3mm Thk
7	86624176		1 WASHER 11mm ID x 20mm OD x 2mm Thk
8	86625253		8 WASHER 11mm ID x 24mm OD x 2mm Thk
9	43140		8 BOLT Hex, M10 x 1.5 x 30mm, CI 8.8
10	84100524		8 NUT M10 x 1.5, CI 8
11	47933602		1 BRACKET

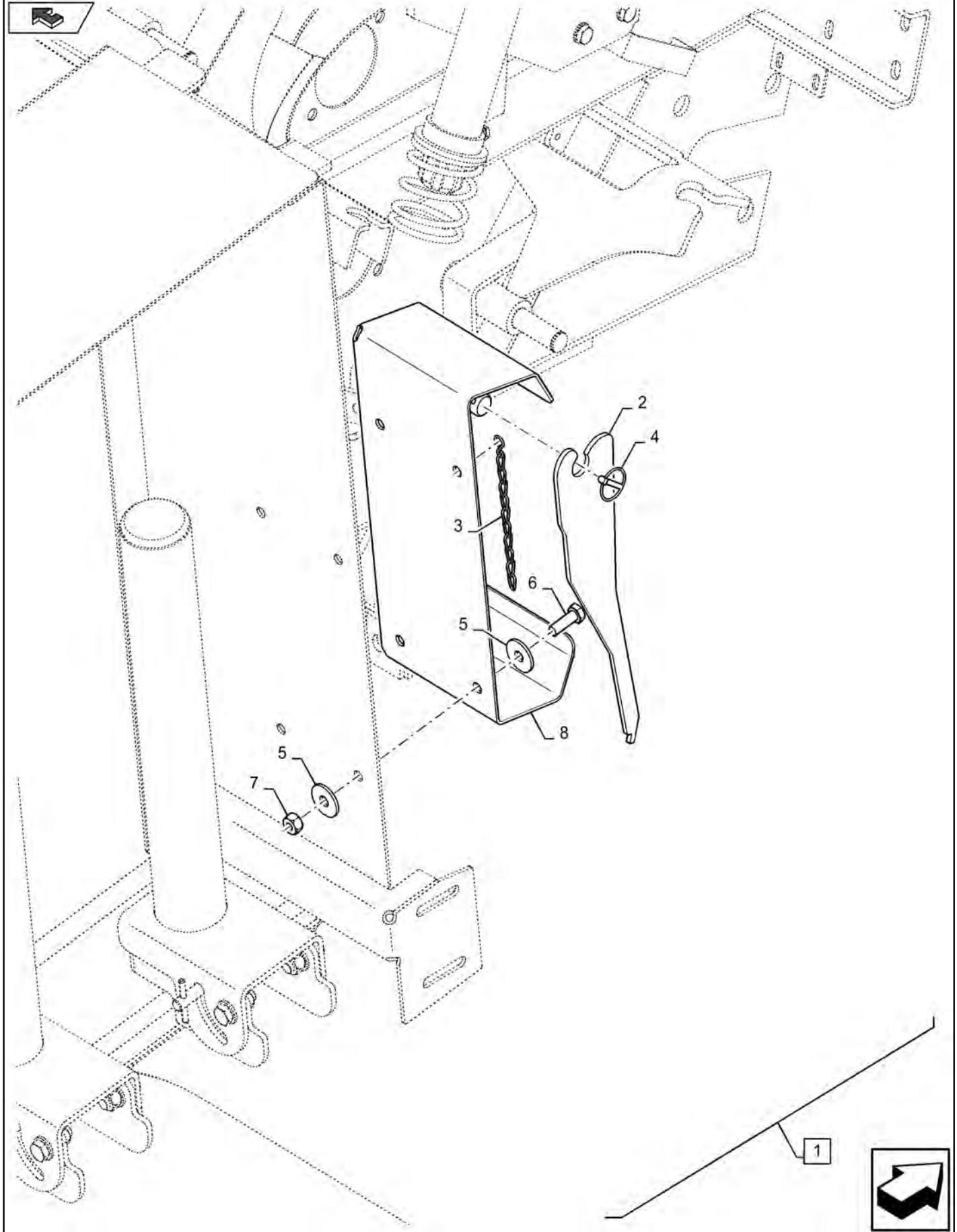
Orkel GP 1270 Kombi/ Orkel GP 1270S

88.060.030

p1

4/2017

DIA KIT : BLANK KNIVES KIT



88.060.030

p1

4/2017

DIA KIT : BLANK KNIVES KIT

REF FN	PART NUMBER	YR/SN	QTY DESCRIPTION
1	47904142		1 DIA KIT, GP incl 2 - 8 20
2	47454788		SUPPORT
3	84025509		1 CHAIN 180mm L
4	86508947		1 LINCH PIN 18.8mm OD
5	140042		8 WASHER 11mm ID x 34mm OD x 3mm Thk
6	43140		4 BOLT Hex, M10 x 1.5 x 30mm, CI 8.8
7	84100524		4 NUT M10 x 1.5, CI 8
8	47454791		1 SUPPORT

Orkel GP 1270 Kombi/ Orkel GP 1270S

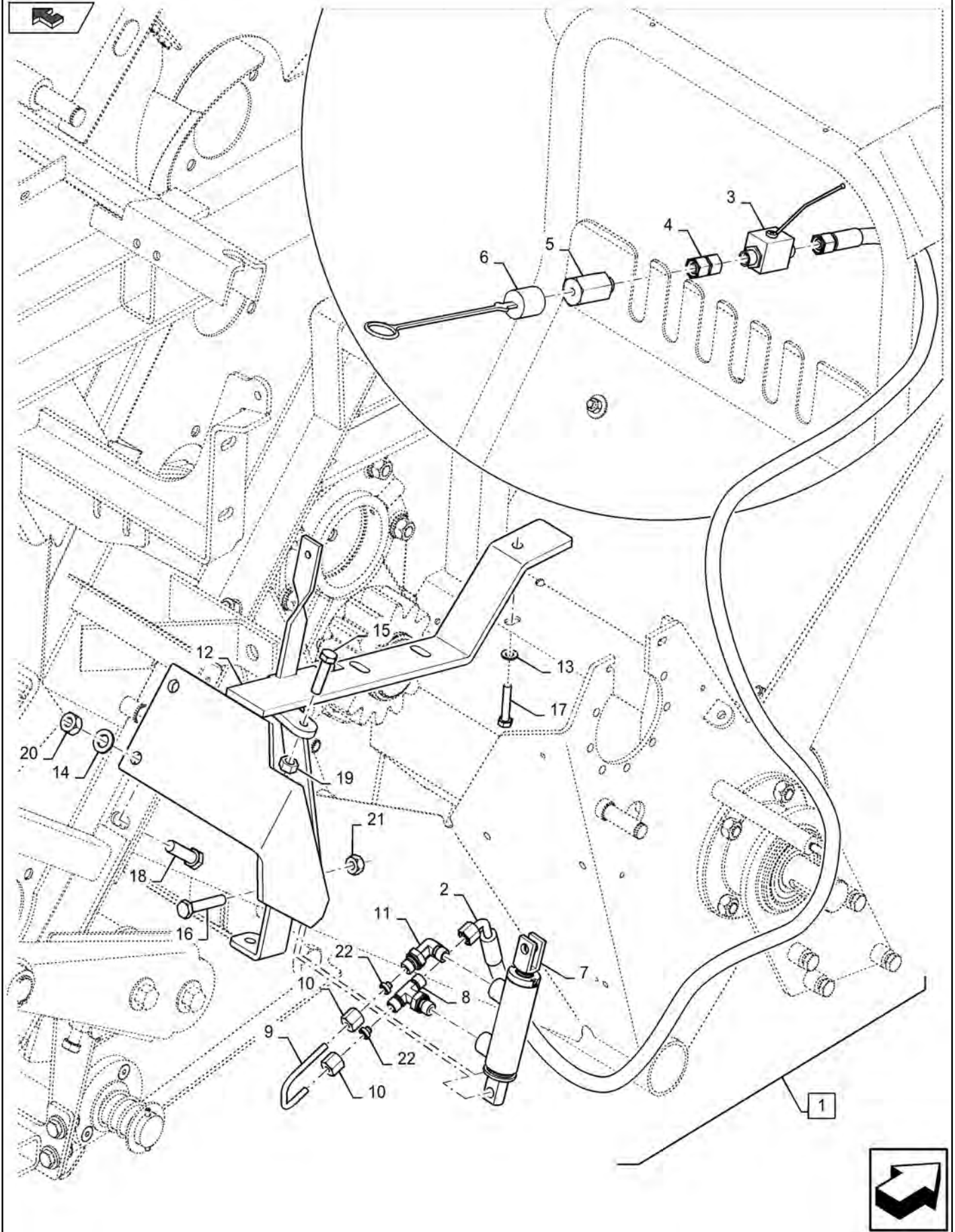
88.060.040

01

p1

4/2017

DIA KIT: ROTOR DE-CLUTCH KIT



88.060.040

01

p1

4/2017

DIA KIT: ROTOR DE-CLUTCH KIT

REF FN	PART NUMBER	YR/SN	QTY DESCRIPTION
1	47675654		1 DIA KIT, GP Incl 2 - 22
2	47494648		1 HYDRAULIC HOSE 6.3mm ID x 5600mm L, SAE 100R16
3	84043962		1 DRAINCOCK/TAP SUPPLY
4	84515054		1 UNION
5	84819661		1 QUICK MALE COUPLING
6	84819669		1 DUST CAP
7	47480157		1 HYDRAULIC CYLINDER Double Acting, 16mm Rod, 50mm Stroke
8	47498137		1 BRANCH TEE
9	47481660		1 HYD TUBE
10	47499830		2 TUBE NUT
11	47498129		1 ELBOW
12	47898734		1 BRACKET
13	14496501		1 WASHER 8.4mm ID x 17mm OD x 1.6mm Thk
14	86511324		2 WASHER 13mm ID x 24mm OD x 2.5mm Thk
15	120112		1 BOLT Hex, M10 x 1.5 x 40mm, CI 8.8, Full Thd
16	412151		1 BOLT M10 x 1.5 x 61.58mm, CI 8.8
17	43127		1 BOLT Hex, M8 x 1.25 x 25mm, CI 8.8
18	9628065		2 SCREW Hex, M12 x 1.75 x 45mm, CI 8.8
19	100016		1 NUT M10 x 1.5, CI 8
20	84278115		2 NUT
21	84100524		1 NUT M10 x 1.5, CI 8
22	47499878		2 CONE TYPE FERRULE

Orkel GP 1270 Kombi/ Orkel GP 1270S

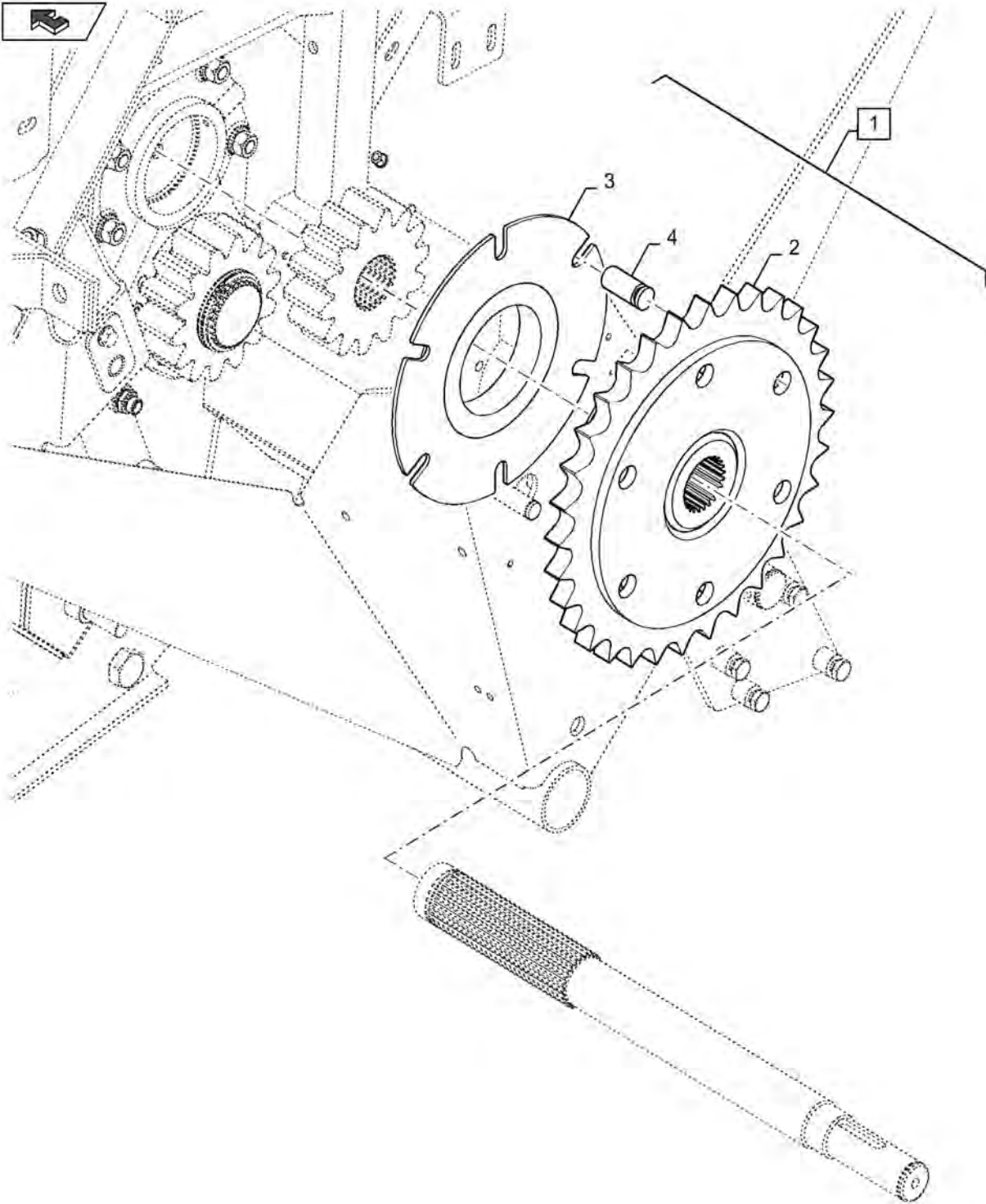
88.060.040

02

p1

4/2017

DIA KIT: ROTOR DE-CLUTCH KIT



88.060.040

02

p1

4/2017

DIA KIT: ROTOR DE-CLUTCH KIT

REF FN	PART NUMBER	YR/SN	QTY DESCRIPTION
1	47675654		1 DIA KIT, GP Incl 2 - 4 1
2	47481460		SPROCKET
3	47481461		1 BUSHING
4	47481457		6 DOWEL

Orkel GP 1270 Kombi/ Orkel GP 1270S

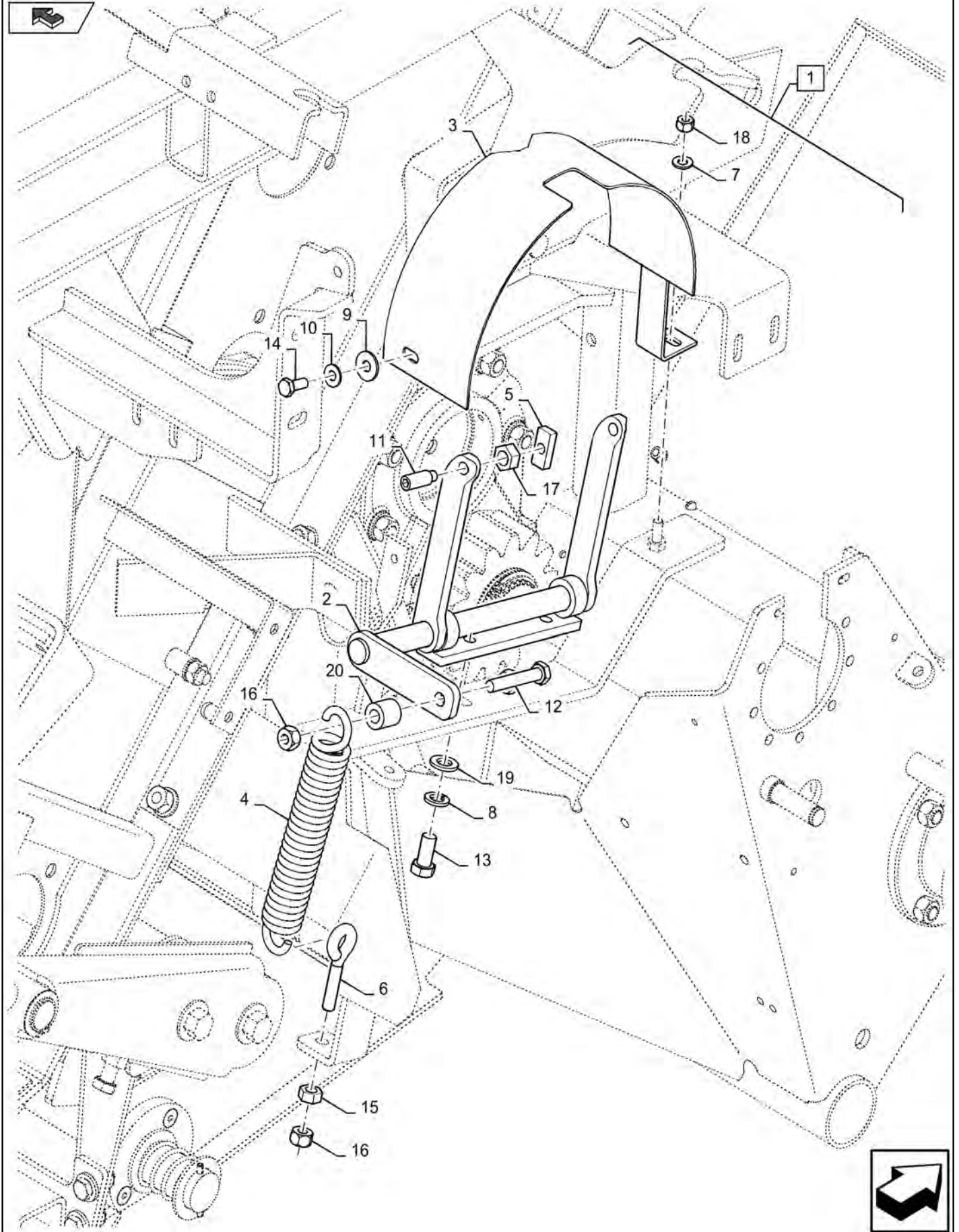
88.060.040

03

p1

4/2017

DIA KIT: ROTOR DE-CLUTCH KIT



88.060.040

03

p1

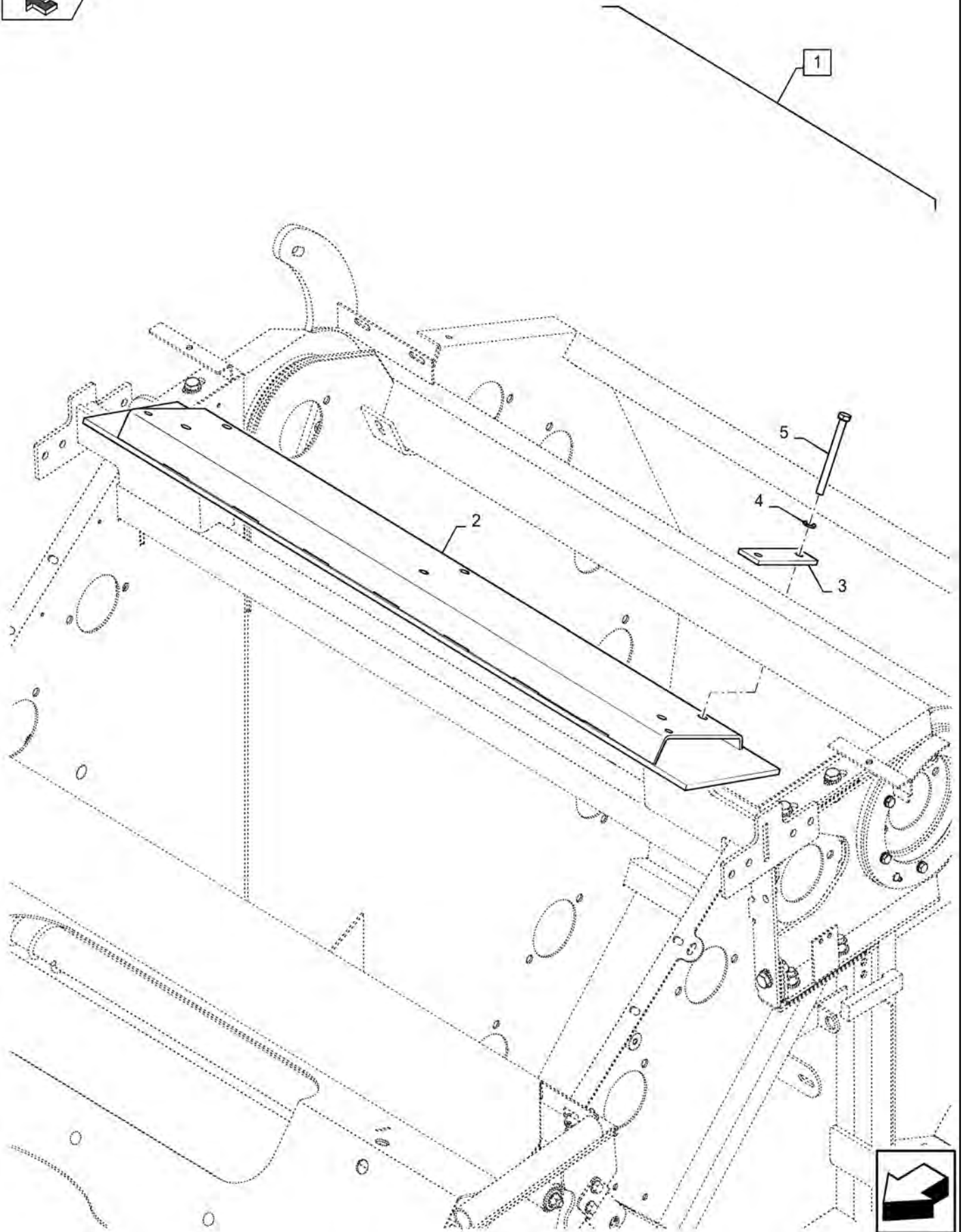
4/2017

DIA KIT: ROTOR DE-CLUTCH KIT

REF FN	PART NUMBER	YR/SN	QTY DESCRIPTION
1	47675654		1 DIA KIT, GP Incl 2 - 20
2	47898739		1 SUPPORT
3	48017330		1 BRACKET
4	47480487		1 SPRING
5	47490481		2 PLATE
6	47479137		1 EYEBOLT
7	14496501		1 WASHER 8.4mm ID x 17mm OD x 1.6mm Thk
8	412123		2 LOCK WASHER 13.1mm ID x 21.1mm OD x 2.55mm Thk
9	86639313		1 WASHER 9mm ID x 24mm OD x 2mm Thk
10	322358		1 BELLEVILLE WASHER M8 Bolt Size x 18mm OD x 1.4mm Thk
11	47501578		2 SET SCREW
12	120071		1 BOLT Hex, M10 x 65, 8.8
13	300388		2 BOLT Hex, M12 x 1.75 x 25mm, CI 8.8
14	120103		1 BOLT M8 x 1.25 x 16mm, CI 8.8
15	100016		1 NUT M10 x 1.5, CI 8
16	84100524		2 NUT M10 x 1.5, CI 8
17	9706685		2 NUT M12 x 1.75, CI 8
18	437013		1 NUT
19	86511324		2 WASHER 13mm ID x 24mm OD x 2.5mm Thk
20	87585960		1 SPACER 11mm ID x 22mm OD x 22mm L

Orkel GP 1270 Kombi/ Orkel GP 1270S

DIA KIT : STRAW KIT



88.062.010

p1

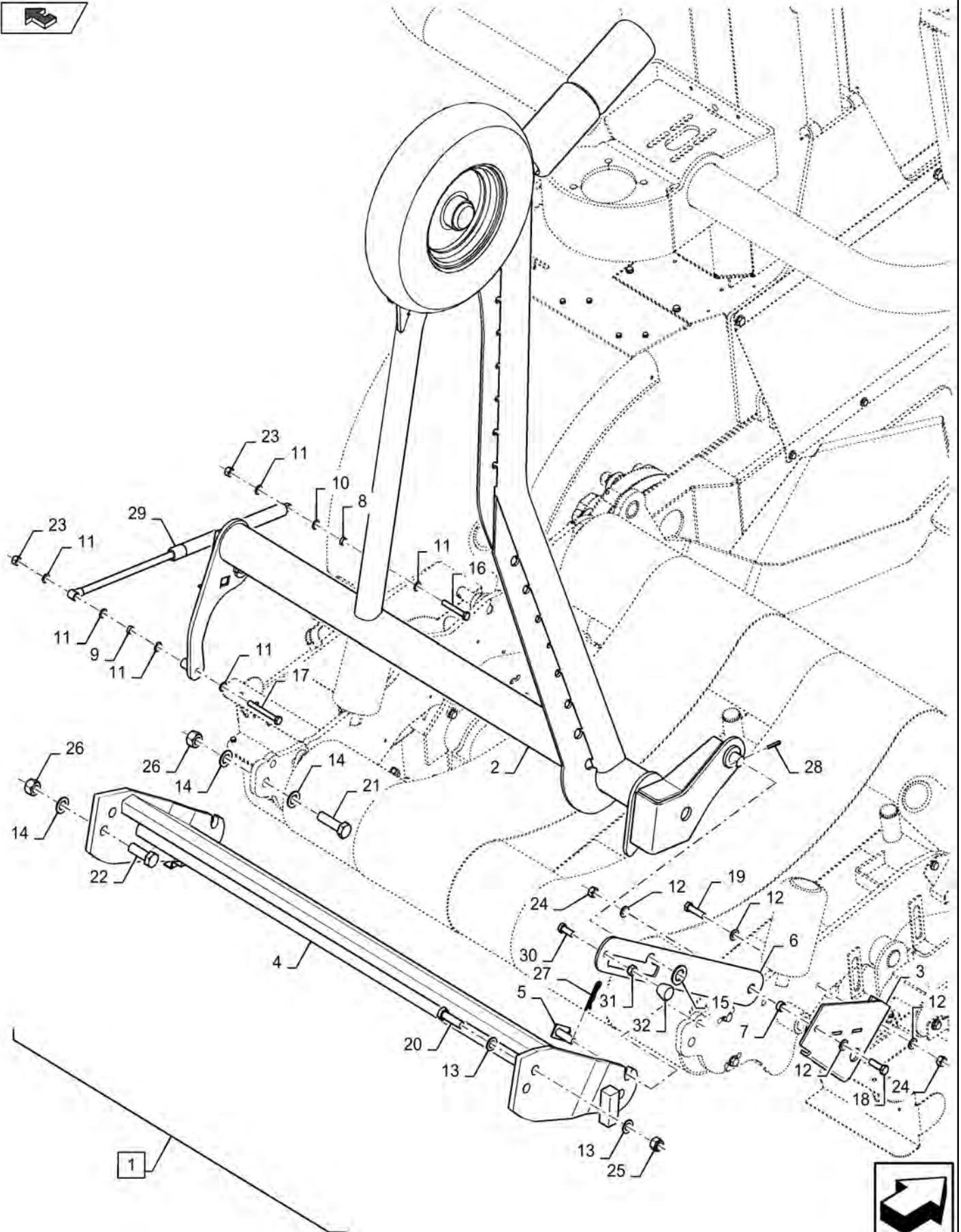
4/2017

DIA KIT : STRAW KIT

REF FN	PART NUMBER	YR/SN	QTY DESCRIPTION
1	47909502		1 DIA KIT, GP Incl 2 -5
2	47912215		1 RETAINER
3	47486996		3 PLATE
4	140028		6 WASHER 10.2mm ID x 18.1mm OD x 2.2mm Thk
5	86508573		6 BOLT Hex, M10 x 110mm, Cl 8.8

Orkel GP 1270 Kombi/ Orkel GP 1270S

DIA KIT : QUARTER TURN BALE KIT

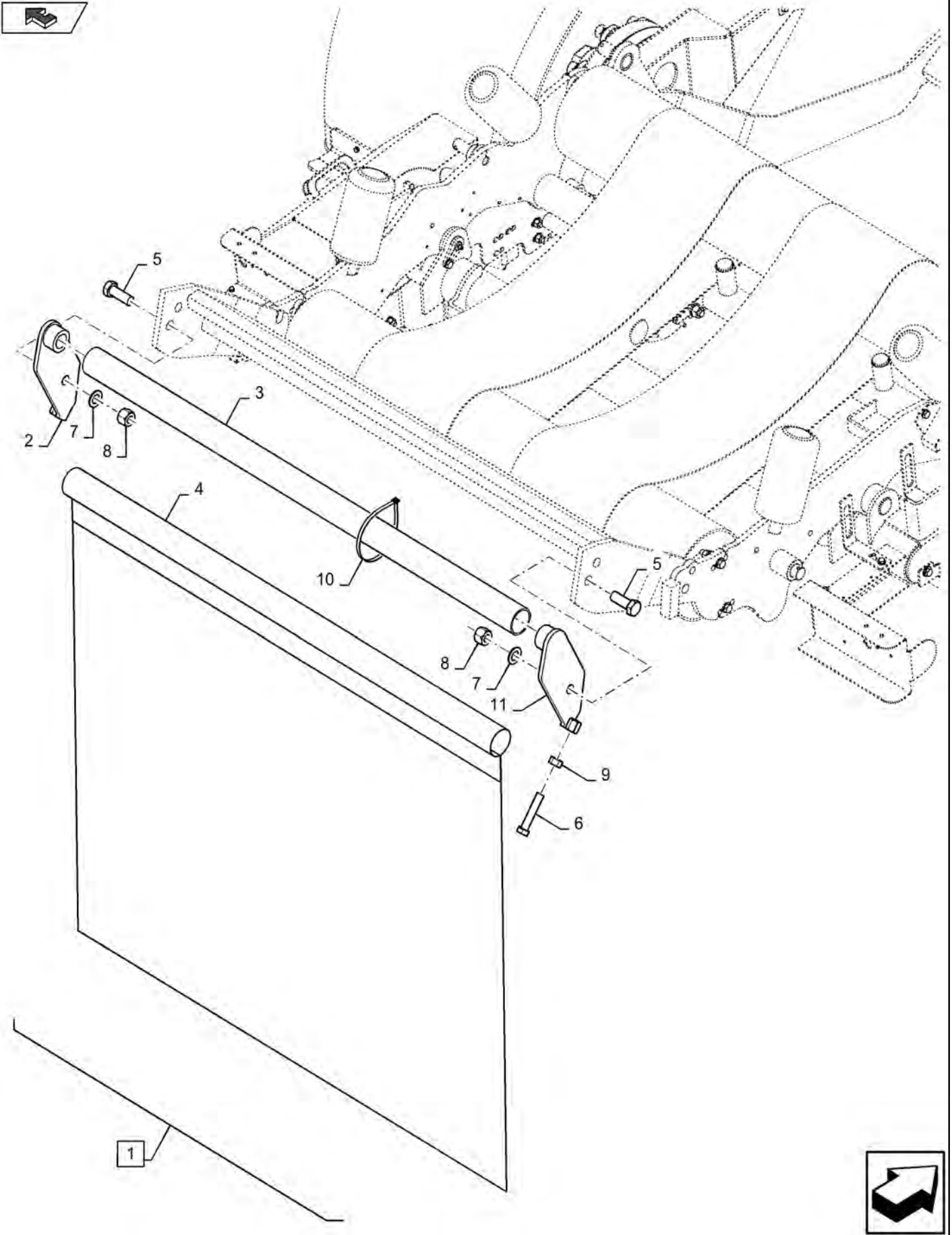


DIA KIT : QUARTER TURN BALE KIT

REF FN	PART NUMBER	YR/SN	QTY DESCRIPTION
1	47762312		1 DIA KIT, GP Incl 2 - 32
2	47714305		1 WHEEL
3	47933190		1 SUPPORT
4	48040165		1 FRAME
5	47932632		2 SHAFT
6	47875807		1 PLATE
7	47876888		1 RING
8	698748		1 BUSHING 10.3mm ID x 15.88mm OD x 9.53mm L
9	87342153		1 SPACER 10.34mm ID x 15.88mm OD x 6.3mm L
10	12641001		2 WASHER 10.2mm ID x 20mm OD x 3mm Thk
11	140017		6 WASHER M10 x 20mm OD x 2mm Thk
12	86511324		7 WASHER 13mm ID x 24mm OD x 2.5mm Thk
13	86511326		4 WASHER 17mm ID x 30mm OD x 3mm Thk
14	86511327		6 WASHER 21mm ID x 37mm OD x 3mm Thk
15	140022		1 WASHER 26mm ID x 44mm OD x 4mm Thk
16	43144		1 BOLT Hex, M10 x 70mm, CI 8.8
17	120074		1 BOLT Hex, M10 x 90, 8.8
18	86629541		1 BOLT Hex, M12 x 1.75 x 40mm, CI 8.8
19	9628065		2 SCREW Hex, M12 x 1.75 x 45mm, CI 8.8
20	87573374		2 BOLT Hex, M16 x 55mm, CI 8.8
21	15988531		2 BOLT Hex, M20 x 1.5 x 70mm, CI 10.9, Full Thd
22	15988334		2 BOLT Hex, M20 x 1.5 x 60mm, CI 10.9
23	412141		2 NUT M10 x 1.5, CI 8
24	84278115		3 NUT
25	412066		2 NUT M16 x 2.0, CI 8
26	87489983		4 NUT M24 x 1.5, CI. 10
27	37851		2 PIN 7.5mm x 72mm L
28	300869		1 LOCK PIN 6mm OD x 40mm L, Slotted
29	48024259		1 GAS STRUT
30	9706687		1 BOLT M12 x 1.75 x 30mm, CI 8.8
31	9706685		1 NUT M12 x 1.75, CI 8
32	372783		1 KNOB

Orkel GP 1270 Kombi/ Orkel GP 1270S

DIA KIT : BALE DROP PROTECTION KIT



88.068.020

p1

4/2017

DIA KIT : BALE DROP PROTECTION KIT

REF FN	PART NUMBER	YR/SN	QTY DESCRIPTION
1	47934635		1 DIA KIT, GP incl 2 - 11
2	47476769		1 SUPPORT
3	47568170		1 TUBE
4	47459459		1 CANVAS
5	86503156		2 BOLT Hex, M20 x 2.5 x 55mm, CI 8.8, Full Thd
6	394674		2 BOLT Hex, M16 x 2 x 80mm, CI 8.8, Full Thd
7	86511327		2 WASHER 21mm ID x 37mm OD x 3mm Thk
8	412180		2 NUT M20 x 2.5, CI 8
9	100020		2 NUT M16 x 2.0, CI 8
10	14569387		2 HOSE CLIP
11	47476767		1 SUPPORT

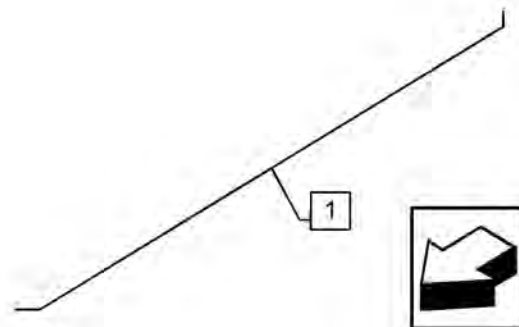
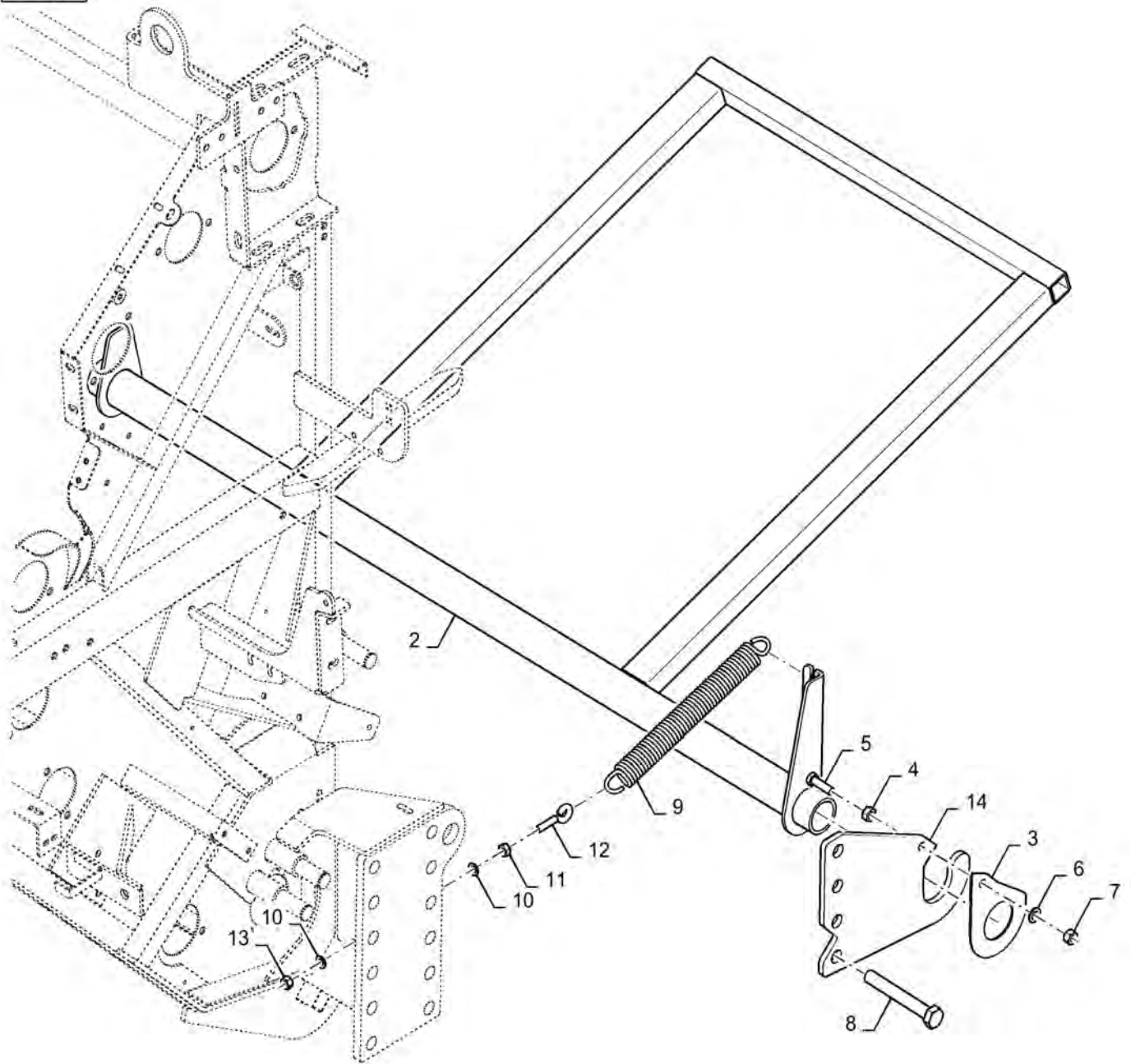
Orkel GP 1270 Kombi/ Orkel GP 1270S

88.070.010

p1

4/2017

DIA KIT : BALE KICKER

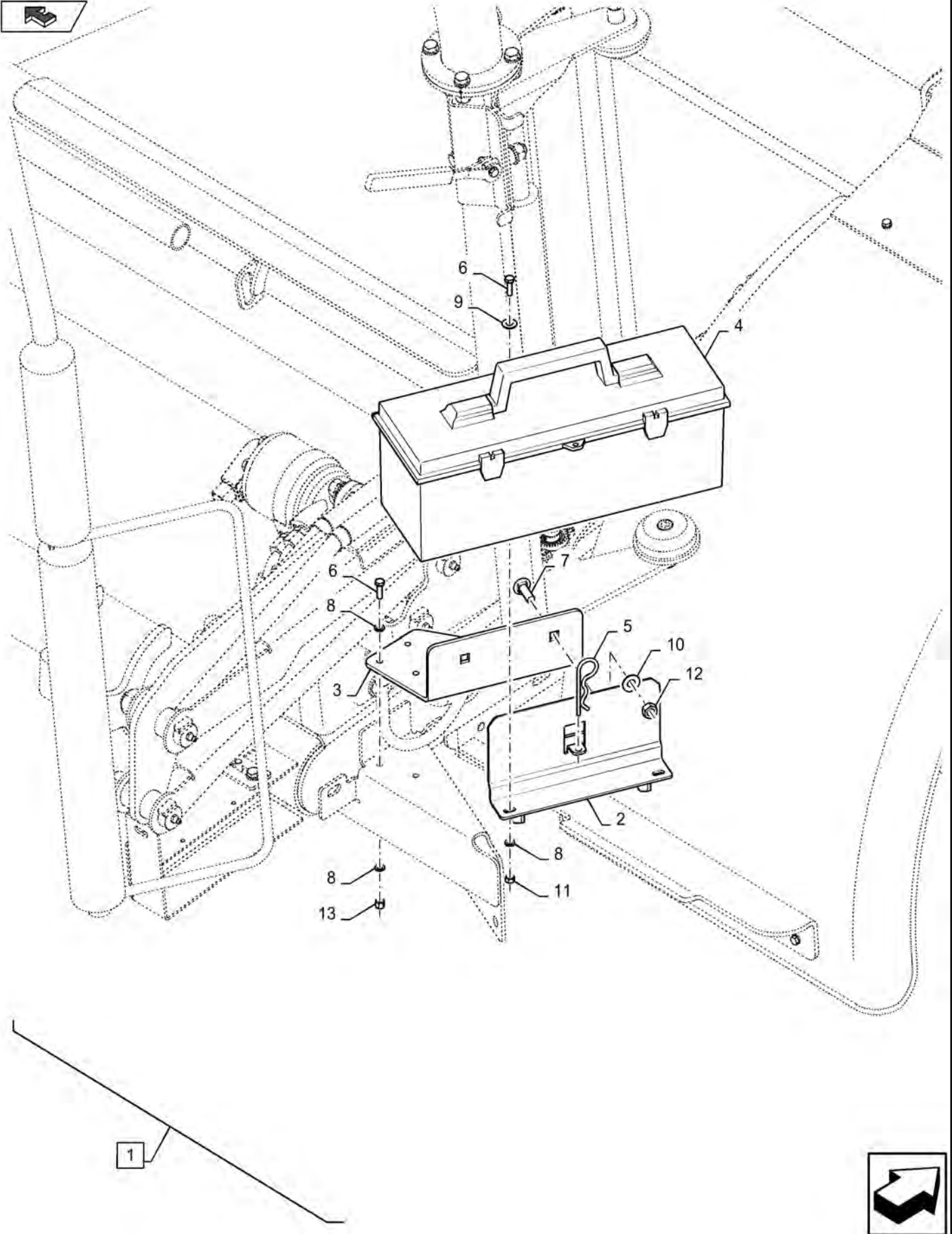


DIA KIT : BALE KICKER

REF FN	PART NUMBER	YR/SN	QTY DESCRIPTION
1	47934631		1 DIA KIT, GP Incl 2 - 14
2	47474030		1 EJECTOR
3	47474031		2 PLATE
4	9706685		2 NUT M12 x 1.75, CI 8
5	86629541		2 BOLT Hex, M12 x 1.75 x 40mm, CI 8.8
6	86511324		2 WASHER 13mm ID x 24mm OD x 2.5mm Thk
7	84278115		2 NUT
8	384656		6 BOLT Hex, M20 x 2.5 x 140mm, CI 8.8
9	47484015		1 TENSION SPRING
10	86511323		2 WASHER 10.5mm ID x 20mm OD x 2mm Thk
11	100016		1 NUT M10 x 1.5, CI 8
12	47479137		1 EYEBOLT
13	84100524		1 NUT M10 x 1.5, CI 8
14	47474027		2 PLATE

Orkel GP 1270 Kombi/ Orkel GP 1270S

DIA KIT : TOOLBOX



DIA KIT : TOOLBOX

REF FN	PART NUMBER	YR/SN	QTY DESCRIPTION
1	47934633		1 DIA KIT, GP Incl 2 - 13
2	47425621		1 SUPPORT
3	47873696		1 SUPPORT
4	47450371		1 TOOL BOX
5	437424		1 COTTER PIN
6	86977786		5 BOLT Hex, M6 x 1 x 25mm, CI 8.8
7	86633356		2 CARRIAGE BOLT M10 x 34.8mm, CI 8.8
8	86588450		8 WASHER 6.6mm ID x 12mm OD x 1.6mm Thk
9	322358		2 BELLEVILLE WASHER M8 Bolt Size x 18mm OD x 1.4mm Thk
10	140045		2 BELLEVILLE WASHER M10 Bolt Size x 22mm OD x 1.6mm Thk
11	86500688		2 NUT Hex, M6 x 1.0, CI 10.9
12	86500689		2 NUT M10 x 1.5, CI 10
13	393392		3 LOCK NUT Prev Torque, M6 x 1, CI 8

Orkel GP 1270 Kombi/ Orkel GP 1270S

SECTION INDEX

PLATFORM, CAB, BODYWORK AND DECALS

90.000.00	01	SECTION INDEX - PLATFORM, CAB, BODYWORK AND DECALS
90.105.010		ROTOR CUTTER AUGER DRIVE SHIELDING
90.105.020		PICK-UP REEL DRIVE SHIELDING
90.105.030		REAR SHIELD
90.105.040		TOP SHIELD
90.105.050		NET WRAPPER SHIELD
90.105.060		LOWER SHIELD, LH
90.105.070		LOWER SHIELD, RH
90.105.080		UPPER SHIELD, LH
90.105.090		UPPER SHIELD, RH
90.105.100		FRONT SHIELD, LH & RH
90.105.110		STORAGE BOX
90.105.120		TOOLBOX
90.105.130		TOP SHIELD
90.105.140		PLASTIC WRAPPER SHIELD
90.105.150		SHIELDING, LH & RH
90.105.160		FRONT SHIELD, LH & RH
90.108.010		SAFETY AND INSTRUCTION DECALS
90.108.020		COMMERCIAL DECALS
90.108.040		COMMERCIAL DECALS
90.108.060		SIGNAL PLATES
90.108.070		SIGNAL PLATES
90.116.010		MUD GUARDS, LH & RH
90.118.010		FRONT ACCES PLATFORM
90.118.020		FRONT ACCES LADDER

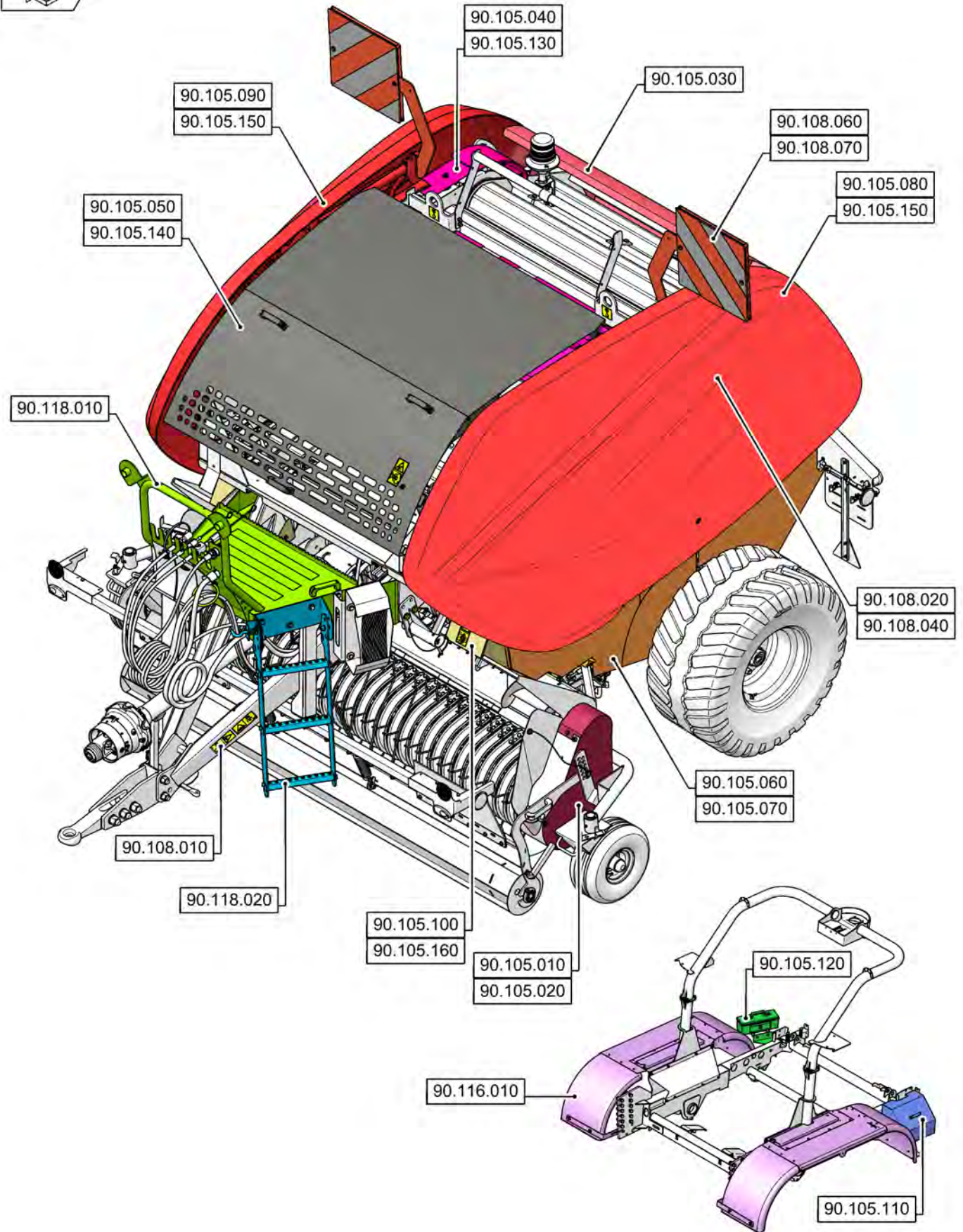
90.000.00

01

p1

4/2017

SECTION INDEX - PLATFORM, CAB, BODYWORK AND DECALS



90.000.00

01

p1

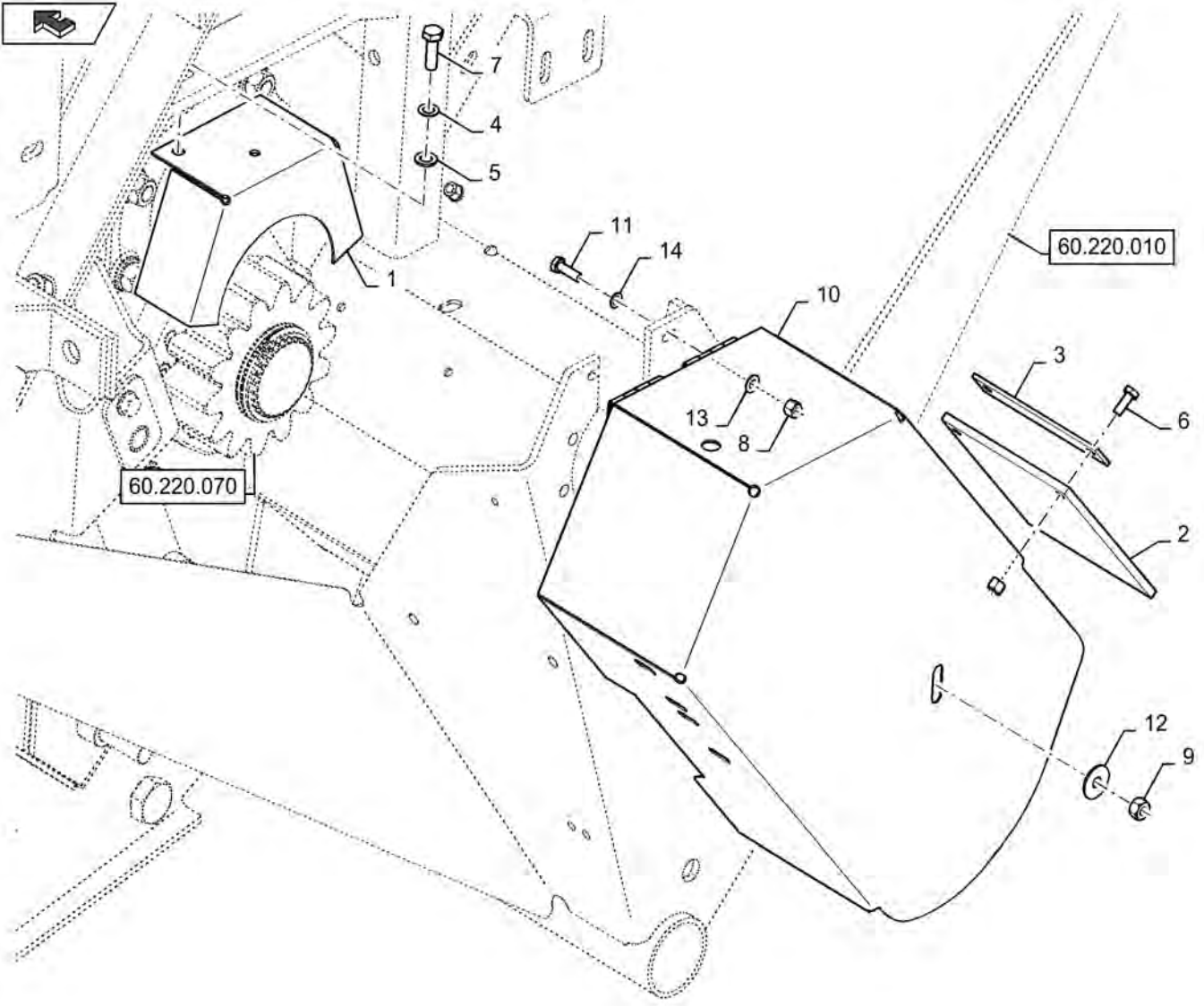
4/2017

SECTION INDEX - PLATFORM, CAB, BODYWORK AND DECALS

REF FN	PART NUMBER	YR/SN	QTY DESCRIPTION
---------------	--------------------	--------------	------------------------

Orkel GP 1270 Kombi/ Orkel GP 1270S

ROTOR CUTTER AUGER DRIVE SHIELDING

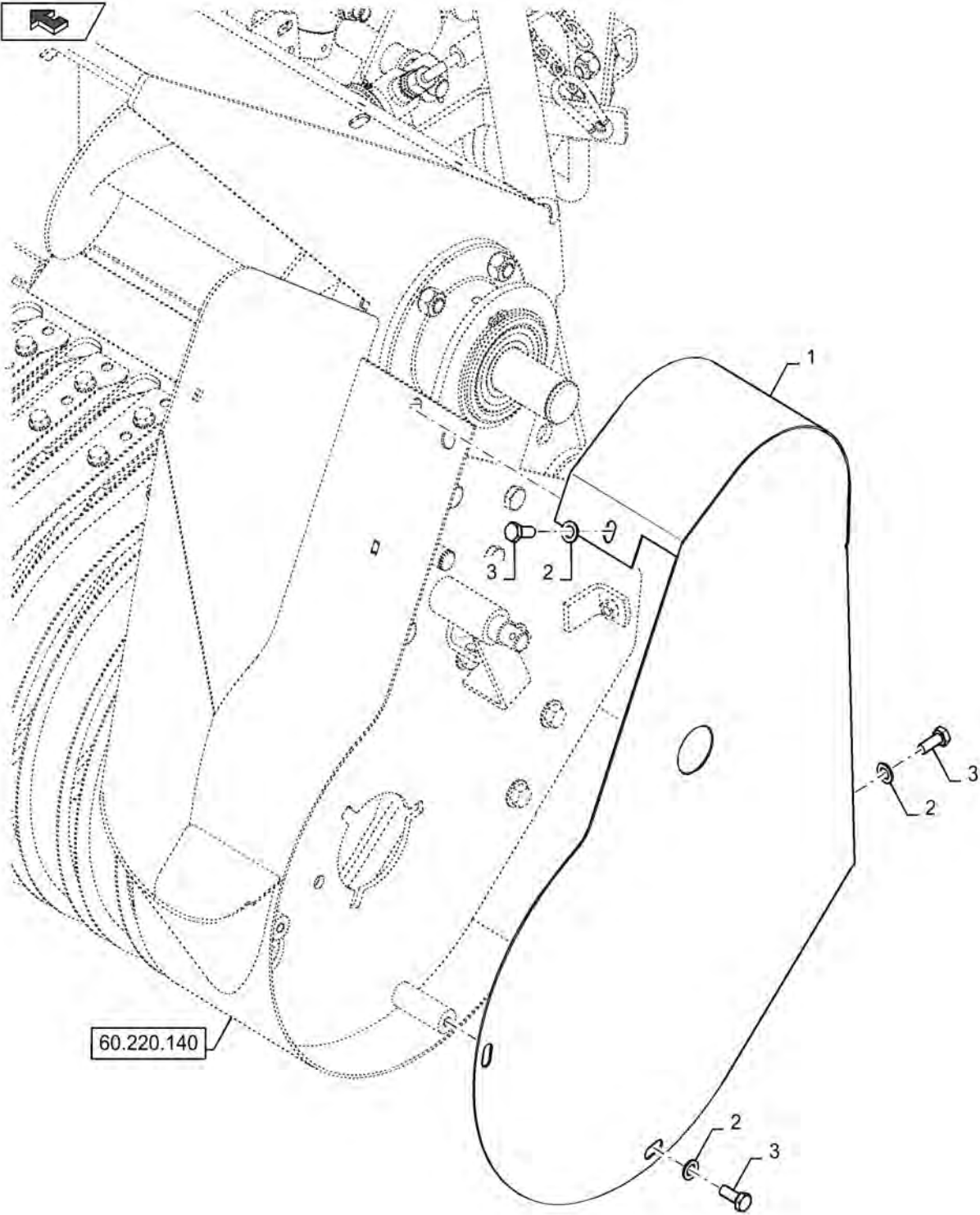


ROTOR CUTTER AUGER DRIVE SHIELDING

REF FN	PART NUMBER	YR/SN	QTY DESCRIPTION
1	47479138		1 GUARD
2	47697885		1 RUBBER STRIP
3	47995419		1 PLATE
4	10571774		1 LOCK WASHER 8.1mm ID x 14.8mm OD x 2mm Thk
5	86624184		1 WASHER 9mm ID x 16mm OD x 1.6mm Thk
6	86508568		2 BOLT Hex, M6 x 1 x 16mm, CI 8.8
7	43127		1 BOLT Hex, M8 x 1.25 x 25mm, CI 8.8
8	393392		4 LOCK NUT Prev Torque, M6 x 1, CI 8
9	437013		1 NUT
10	47934567		1 GUARD
11	120100		2 BOLT M6 x 20mm, CI 8.8
12	12642001		1 WASHER 8.15mm ID x 25mm OD x 1.5mm Thk
13	13550201		2 WASHER 6.15mm ID x 13mm OD x 1mm Thk
14	12639701		2 WASHER 6.15mm ID x 11mm OD x 1mm Thk

Orkel GP 1270 Kombi/ Orkel GP 1270S

PICK-UP REEL DRIVE SHIELDING



90.105.020

p1

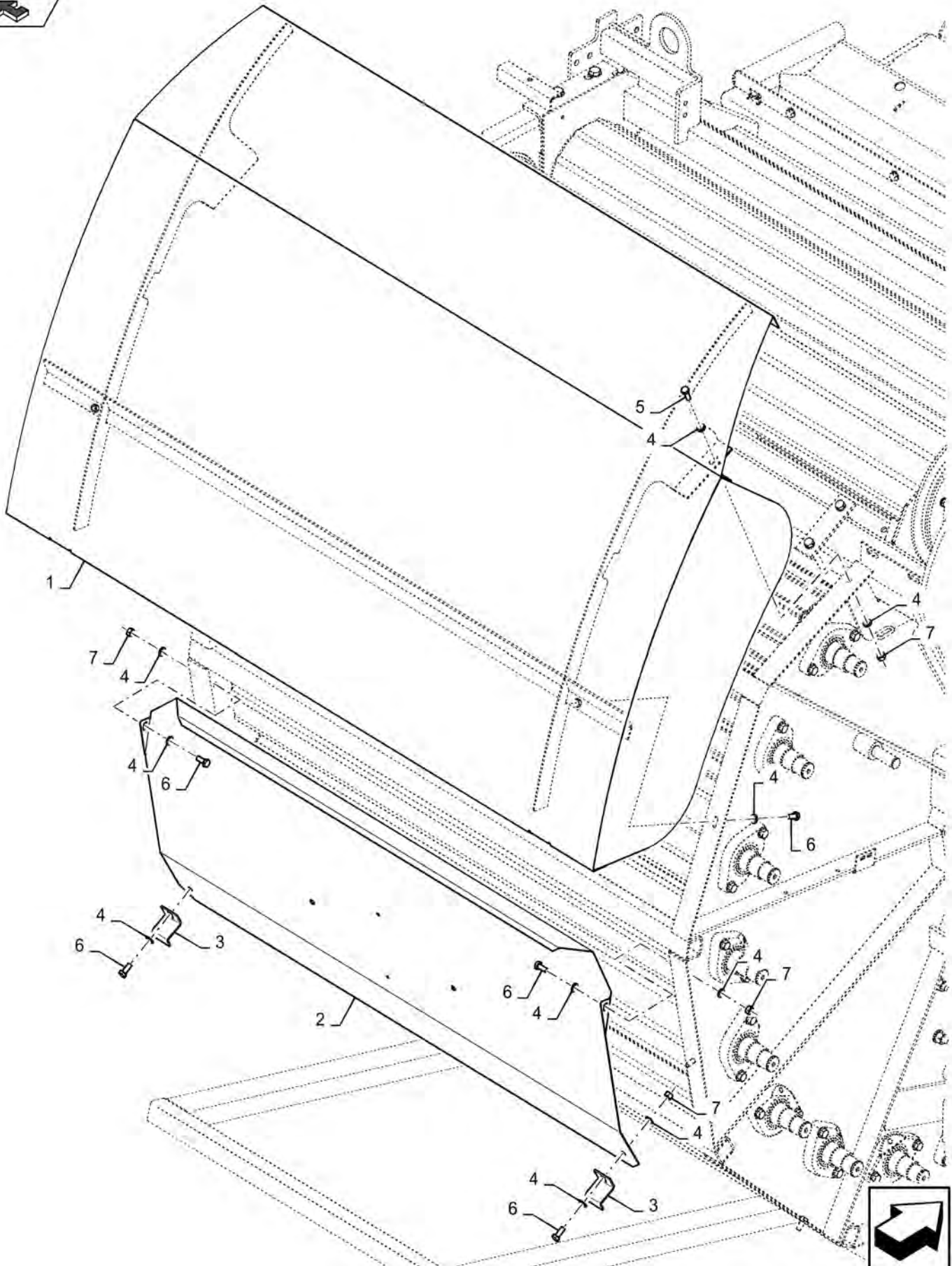
4/2017

PICK-UP REEL DRIVE SHIELDING

REF FN	PART NUMBER	YR/SN	QTY DESCRIPTION
1	47692156		1 PLATE LH
1	47691547		1 PLATE RH
2	86624184		7 WASHER 9mm ID x 16mm OD x 1.6mm Thk
3	120104		7 BOLT Hex, M8 x 1.25 x 20mm, Cl 8.8

Orkel GP 1270 Kombi/ Orkel GP 1270S

REAR SHIELD

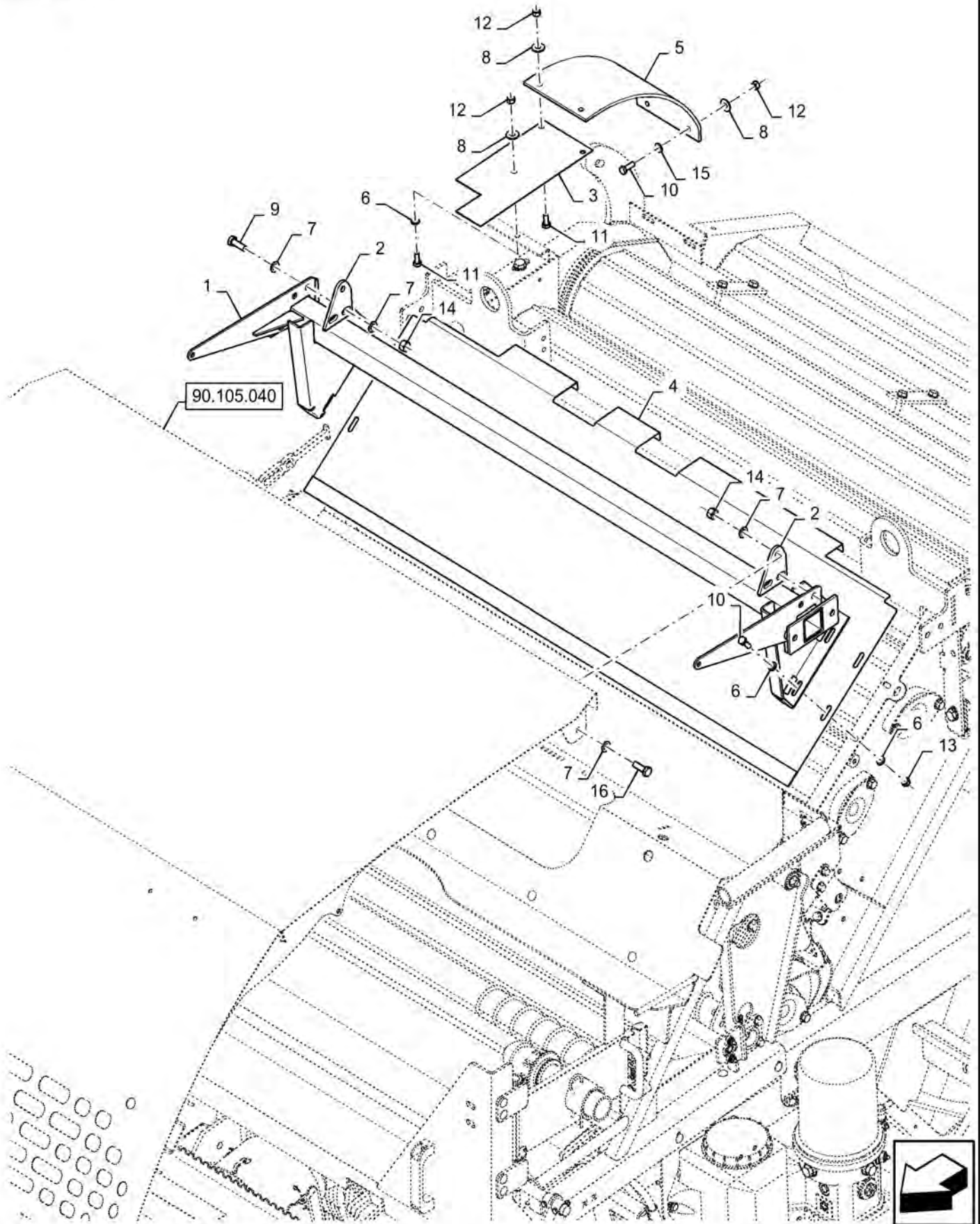


REAR SHIELD

REF FN	PART NUMBER	YR/SN	QTY DESCRIPTION
1	47824449		1 SHIELD
2	47827148		1 SHIELD
3	47475160		2 SUPPORT
4	86624184		14 WASHER 9mm ID x 16mm OD x 1.6mm Thk
5	86625001		2 BOLT Hex, M8 x 22mm, Cl 8.8, Full Thd
6	120104		6 BOLT Hex, M8 x 1.25 x 20mm, Cl 8.8
7	437013		6 NUT

Orkel GP 1270 Kombi/ Orkel GP 1270S

TOP SHIELD

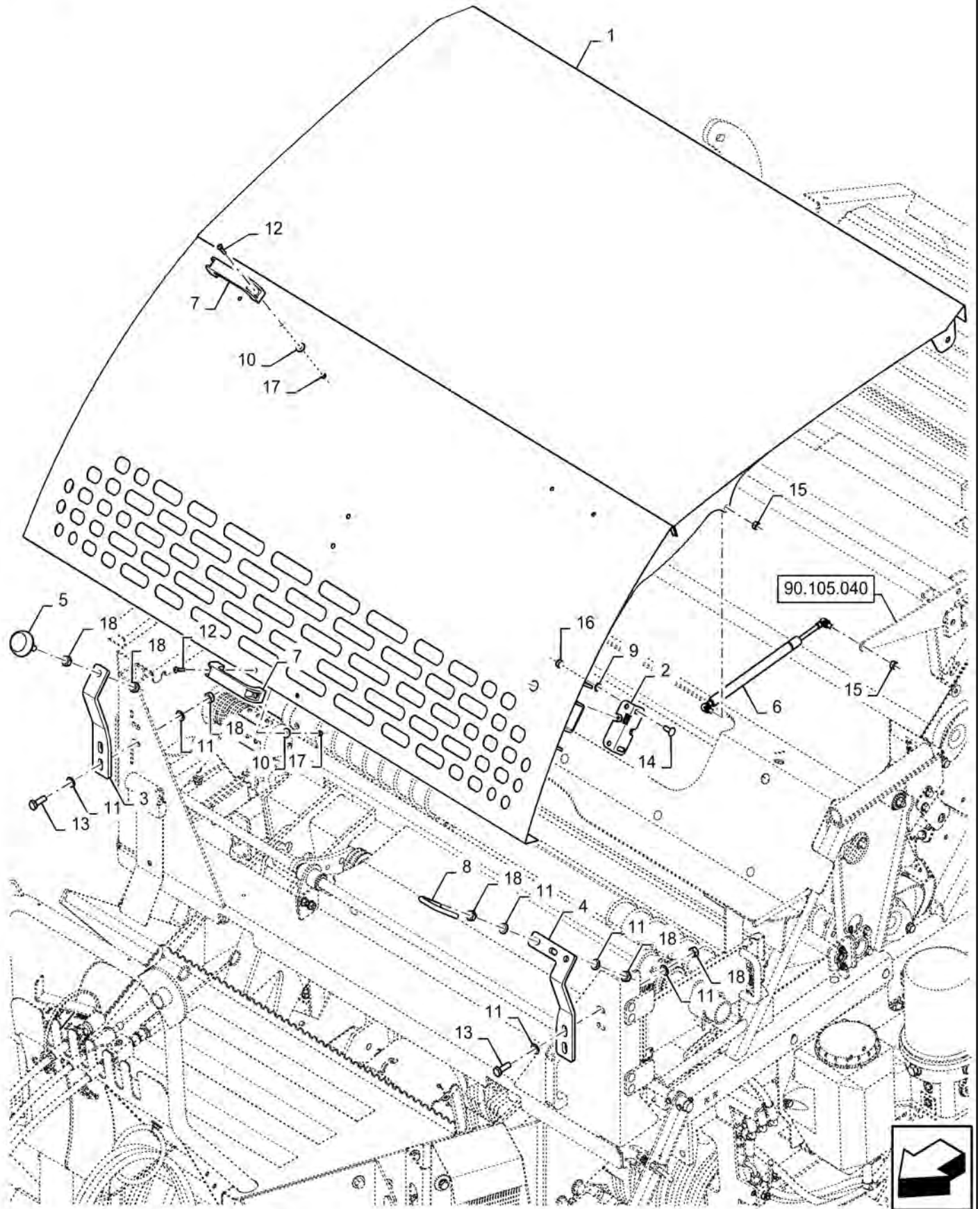


TOP SHIELD

REF FN	PART NUMBER	YR/SN	QTY DESCRIPTION
1	47824606		1 FRAME
2	47825520		2 BRACKET
3	47908411		1 PLATE
4	47873190		1 SIDE PLATE
5	47440309		1 RUBBER MOUNTING
6	86624184		9 WASHER 9mm ID x 16mm OD x 1.6mm Thk
7	86624176		12 WASHER 11mm ID x 20mm OD x 2mm Thk
8	86639313		5 WASHER 9mm ID x 24mm OD x 2mm Thk
9	43140		4 BOLT Hex, M10 x 1.5 x 30mm, CI 8.8
10	43127		6 BOLT Hex, M8 x 1.25 x 25mm, CI 8.8
11	120104		3 BOLT Hex, M8 x 1.25 x 20mm, CI 8.8
12	437013		5 NUT
13	9706690		4 NUT M8 x 1.25, CI 8
14	412141		6 NUT M10 x 1.5, CI 8
15	83931520		2 WASHER 8.4mm ID x 17mm OD x 2mm Thk
16	9706704		2 BOLT Hex, M10 x 1.5 x 41.58mm, CI 8.8

Orkel GP 1270 Kombi/ Orkel GP 1270S

NET WRAPPER SHIELD

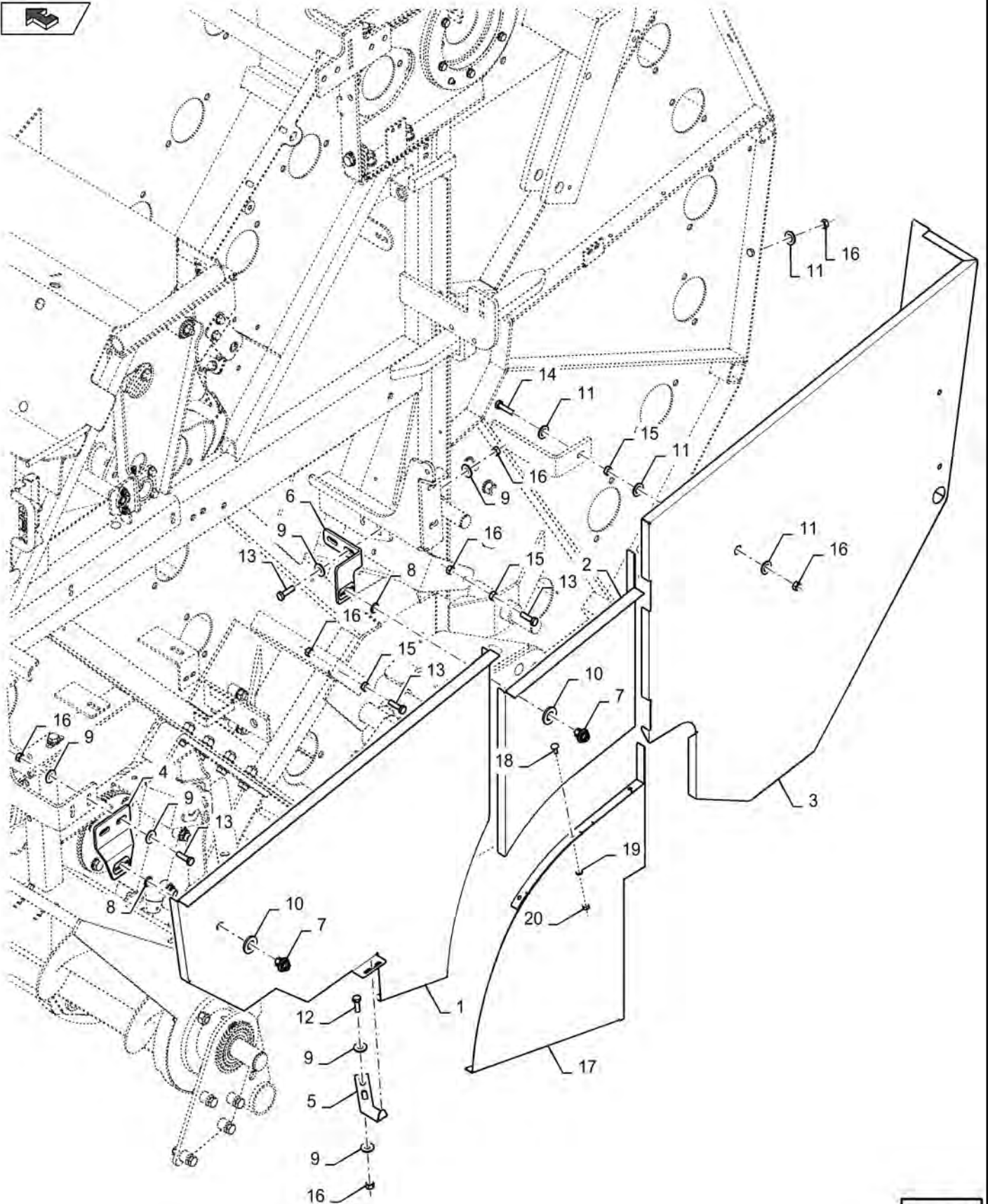


NET WRAPPER SHIELD

REF FN	PART NUMBER	YR/SN	QTY DESCRIPTION
1	47824663		1 HOOD
2	84015292		1 LATCH
3	47825507		1 BRACKET
4	47825508		1 BRACKET
5	84440416		2 INSULATOR BLOCK
6	47905616		2 GAS STRUT
7	47440785		3 DOOR HANDLE
8	47824628		1 ROD
9	86624184		2 WASHER 9mm ID x 16mm OD x 1.6mm Thk
10	140182		6 WASHER 5.5mm ID x 18mm OD x 2mm Thk
11	86624176		12 WASHER 11mm ID x 20mm OD x 2mm Thk
12	86511827		6 SCREW Phillips Drive, Pan HD, M5 x 20mm, CI 4.8
13	43140		4 BOLT Hex, M10 x 1.5 x 30mm, CI 8.8
14	86507486		2 CARRIAGE BOLT M8 x 1.25 x 20mm, CI 8.8
15	437013		4 NUT
16	9706690		2 NUT M8 x 1.25, CI 8
17	86639241		6 NUT Prev Torque, M5 x 0.8, CI 8
18	100016		12 NUT M10 x 1.5, CI 8

Orkel GP 1270 Kombi/ Orkel GP 1270S

LOWER SHIELD, LH

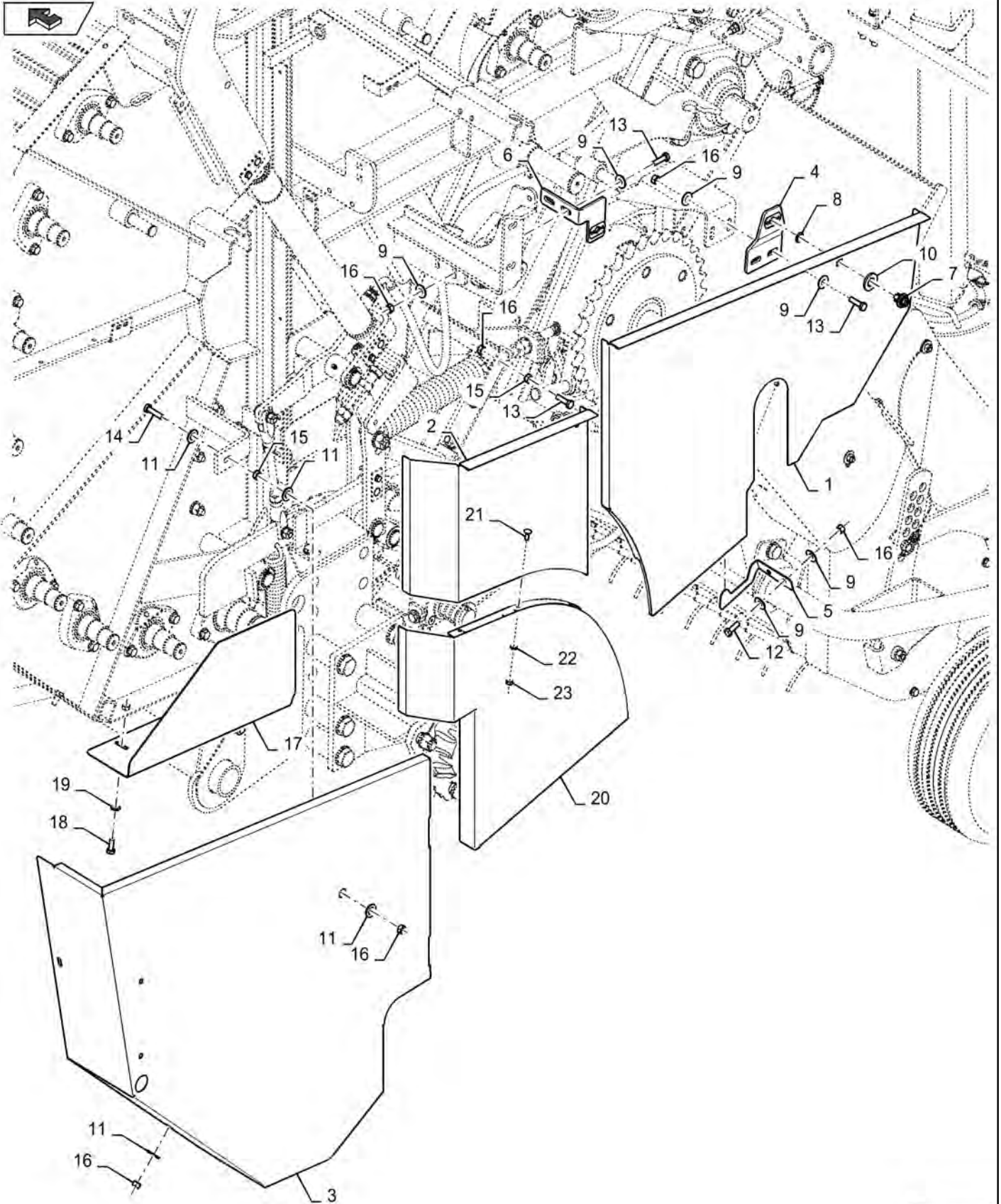


LOWER SHIELD, LH

REF FN	PART NUMBER	YR/SN	QTY DESCRIPTION
1	47824474		1 SHIELD
2	47894920		1 SHIELD
3	47824483		1 SHIELD
4	47903963		1 BRACKET
5	47893803		1 MOUNTING PLATE
6	47894929		1 BRACKET
7	9514603		2 LOCK 1/4 Turn, 28.8mm OAL
8	9514605		2 LOCK WASHER 9.8mm ID x 18.5mm OD x 1.5mm Thk
9	86639313		12 WASHER 9mm ID x 24mm OD x 2mm Thk
10	13580101		2 WASHER 16.4mm ID x 32mm OD x 4mm Thk
11	86511324		5 WASHER 13mm ID x 24mm OD x 2.5mm Thk
12	43127		2 BOLT Hex, M8 x 1.25 x 25mm, CI 8.8
13	43128		6 BOLT M8 x 1.25 x 30mm, CI 8.8
14	412479		1 BOLT Hex, M8 x 1.25 x 35mm, CI 8.8
15	9706690		4 NUT M8 x 1.25, CI 8
16	437013		12 NUT
17	47920137		1 SHIELD
18	86512439		3 CARRIAGE BOLT M6 x 16mm, CI 8.8
19	12649601		3 WASHER 6.15mm ID x 11.5mm OD x 2.5mm Thk
20	9706755		3 NUT M6, CI 8

Orkel GP 1270 Kombi/ Orkel GP 1270S

LOWER SHIELD, RH

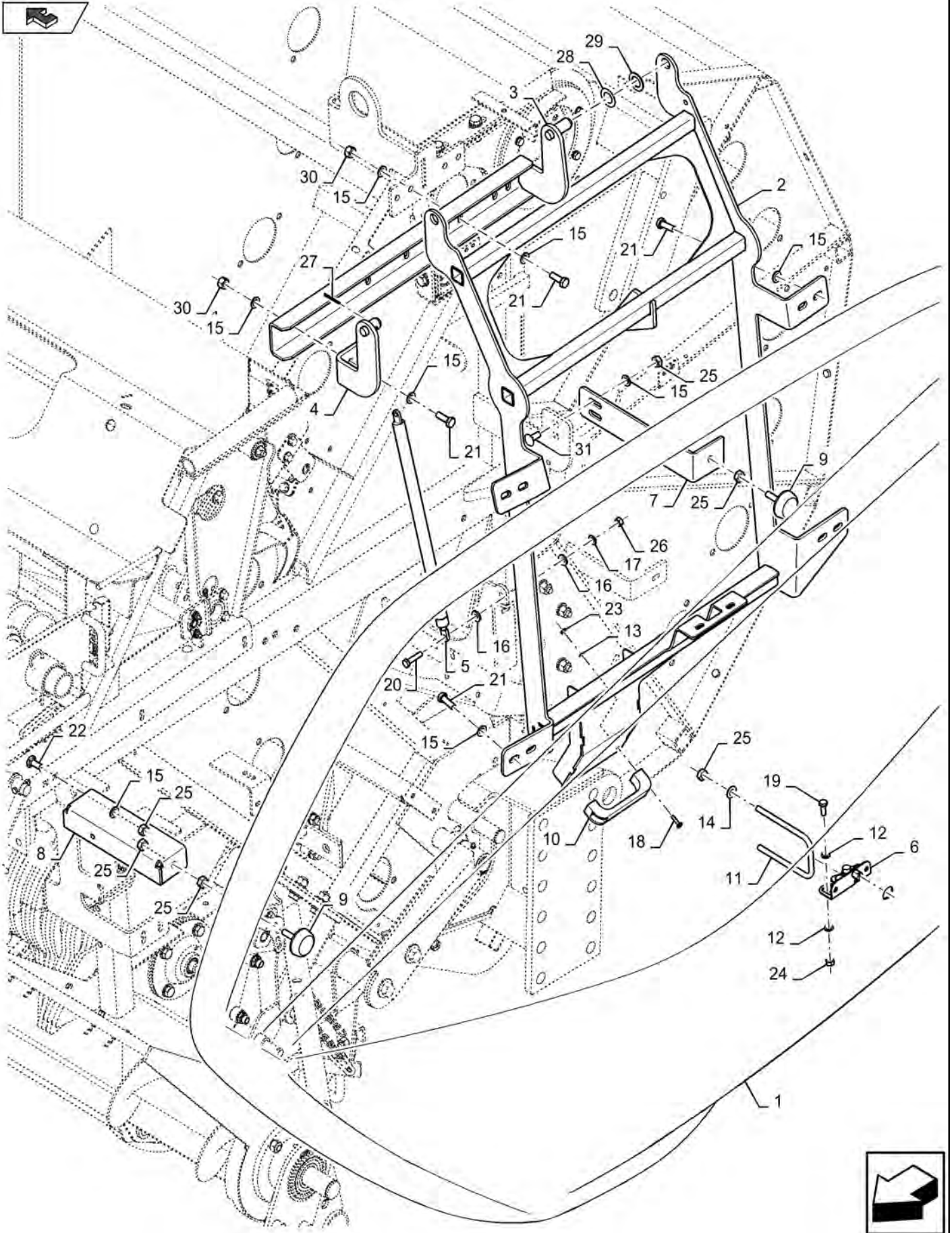


LOWER SHIELD, RH

REF FN	PART NUMBER	YR/SN	QTY DESCRIPTION
1	47824465		1 SHIELD
2	47893779		1 SHIELD
3	47824472		1 SHIELD
4	47903963		1 BRACKET
5	47893804		1 BRACKET
6	47894240		1 BRACKET
7	9514603		2 LOCK 1/4 Turn, 28.8mm OAL
8	9514605		2 LOCK WASHER 9.8mm ID x 18.5mm OD x 1.5mm Thk
9	86639313		12 WASHER 9mm ID x 24mm OD x 2mm Thk
10	13580101		2 WASHER 16.4mm ID x 32mm OD x 4mm Thk
11	86511324		5 WASHER 13mm ID x 24mm OD x 2.5mm Thk
12	43127		2 BOLT Hex, M8 x 1.25 x 25mm, CI 8.8
13	43128		6 BOLT M8 x 1.25 x 30mm, CI 8.8
14	412479		1 BOLT Hex, M8 x 1.25 x 35mm, CI 8.8
15	9706690		4 NUT M8 x 1.25, CI 8
16	437013		12 NUT
17	48005187		1 SHIELD
18	14496501		2 WASHER 8.4mm ID x 17mm OD x 1.6mm Thk
19	120104		2 BOLT Hex, M8 x 1.25 x 20mm, CI 8.8
20	47920138		1 SHIELD
21	86512439		3 CARRIAGE BOLT M6 x 16mm, CI 8.8
22	12649601		3 WASHER 6.15mm ID x 11.5mm OD x 2.5mm Thk
23	9706755		3 NUT M6, CI 8

Orkel GP 1270 Kombi/ Orkel GP 1270S

UPPER SHIELD, LH

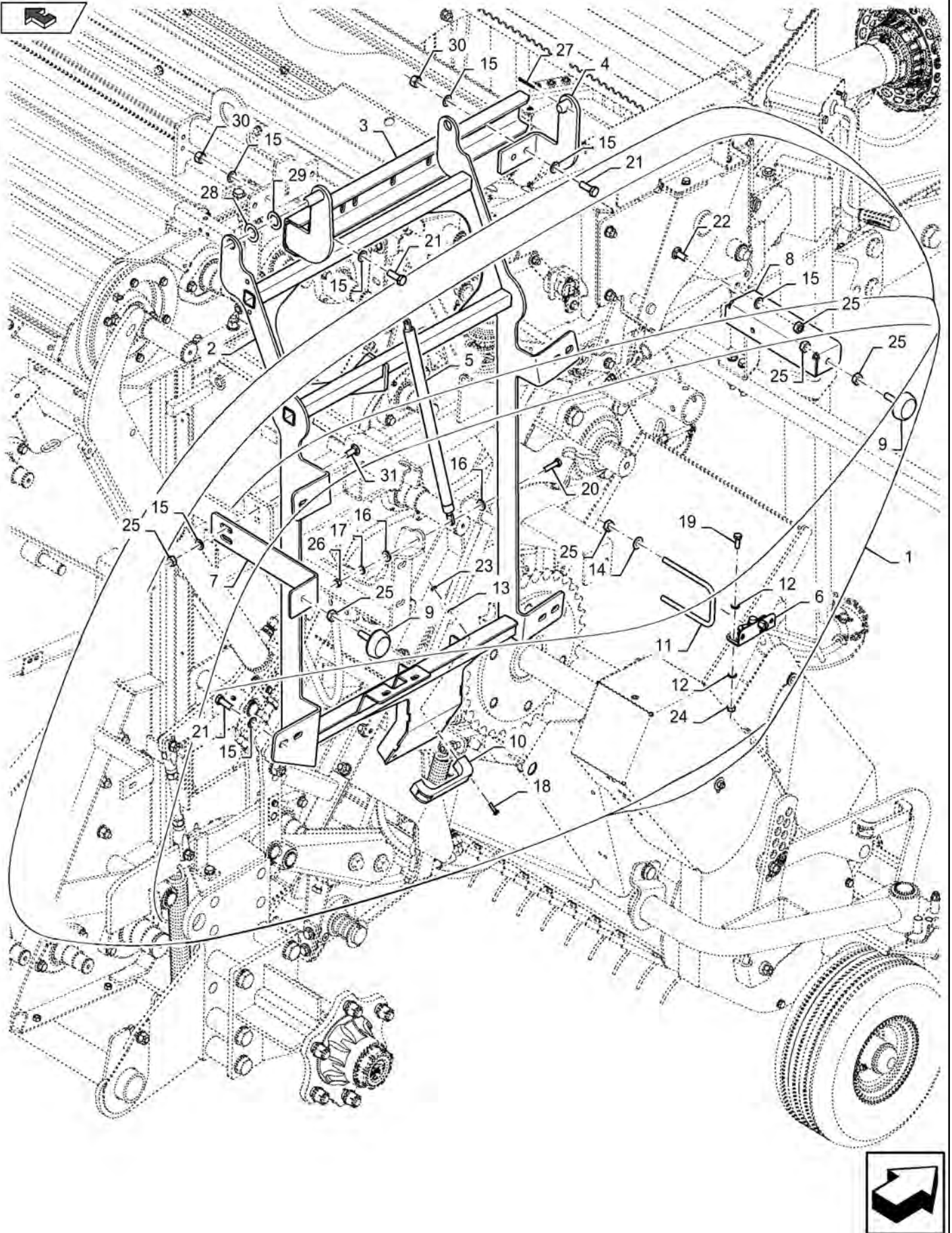


UPPER SHIELD, LH

REF FN	PART NUMBER	YR/SN	QTY DESCRIPTION
1	47824777		1 SHIELD
2	47824747		1 SUPPORT
3	47824626		1 BRACKET
4	47824619		1 BRACKET
5	47824482		1 GAS STRUT
6	84015292		1 LATCH
7	47824928		1 BRACKET
8	47829310		1 BRACKET
9	84440416		2 INSULATOR BLOCK
10	47440785		1 DOOR HANDLE
11	47823796		1 ROD
12	86624184		4 WASHER 9mm ID x 16mm OD x 1.6mm Thk
13	9824326		2 WASHER 5.3mm ID x 10mm OD x 1mm Thk
14	140045		4 BELLEVILLE WASHER M10 Bolt Size x 22mm OD x 1.6mm Thk
15	86624176		28 WASHER 11mm ID x 20mm OD x 2mm Thk
16	12647121		4 WASHER 8.15mm ID x 20mm OD x 3mm Thk
17	10519601		1 WASHER 8.15mm ID x 17mm OD x 2mm Thk
18	86585710		2 SCREW Phillips Drive, Pan HD, M5 x 25mm, CI 4.8
19	86625001		2 BOLT Hex, M8 x 22mm, CI 8.8, Full Thd
20	412479		3 BOLT Hex, M8 x 1.25 x 35mm, CI 8.8
21	43140		16 BOLT Hex, M10 x 1.5 x 30mm, CI 8.8
22	86633356		2 CARRIAGE BOLT M10 x 34.8mm, CI 8.8
23	86639241		2 NUT Prev Torque, M5 x 0.8, CI 8
24	9706690		2 NUT M8 x 1.25, CI 8
25	100016		12 NUT M10 x 1.5, CI 8
26	437013		2 NUT
27	10734601		1 COTTER PIN 3.2mm OD x 28mm OAL
28	13580001		3 WASHER 21mm ID x 36mm OD x 0.5mm Thk
29	5126031		2 WASHER 21mm ID x 35mm OD x 2mm Thk
30	412141		8 NUT M10 x 1.5, CI 8
31	86512446		2 CARRIAGE BOLT M10 x 1.5 x 30mm, CI 8.8

Orkel GP 1270 Kombi/ Orkel GP 1270S

UPPER SHIELD, RH



UPPER SHIELD, RH

REF FN	PART NUMBER	YR/SN	QTY DESCRIPTION
1	47823097		1 SHIELD
2	47823757		1 SUPPORT
3	47824622		1 BRACKET
4	47824615		1 BRACKET
5	47824482		1 GAS STRUT
6	84015292		1 LATCH
7	47824928		1 BRACKET
8	47829310		1 BRACKET
9	84440416		2 INSULATOR BLOCK
10	47440785		1 DOOR HANDLE
11	47823796		1 ROD
12	86624184		4 WASHER 9mm ID x 16mm OD x 1.6mm Thk
13	9824326		2 WASHER 5.3mm ID x 10mm OD x 1mm Thk
14	140045		4 BELLEVILLE WASHER M10 Bolt Size x 22mm OD x 1.6mm Thk
15	86624176		28 WASHER 11mm ID x 20mm OD x 2mm Thk
16	12647121		4 WASHER 8.15mm ID x 20mm OD x 3mm Thk
17	10519601		1 WASHER 8.15mm ID x 17mm OD x 2mm Thk
18	86585710		2 SCREW Phillips Drive, Pan HD, M5 x 25mm, CI 4.8
19	86625001		2 BOLT Hex, M8 x 22mm, CI 8.8, Full Thd
20	412479		3 BOLT Hex, M8 x 1.25 x 35mm, CI 8.8
21	43140		16 BOLT Hex, M10 x 1.5 x 30mm, CI 8.8
22	86633356		2 CARRIAGE BOLT M10 x 34.8mm, CI 8.8
23	86639241		2 NUT Prev Torque, M5 x 0.8, CI 8
24	9706690		2 NUT M8 x 1.25, CI 8
25	100016		12 NUT M10 x 1.5, CI 8
26	437013		2 NUT
27	10734601		1 COTTER PIN 3.2mm OD x 28mm OAL
28	13580001		3 WASHER 21mm ID x 36mm OD x 0.5mm Thk
29	5126031		2 WASHER 21mm ID x 35mm OD x 2mm Thk
30	412141		8 NUT M10 x 1.5, CI 8
31	86512446		2 CARRIAGE BOLT M10 x 1.5 x 30mm, CI 8.8

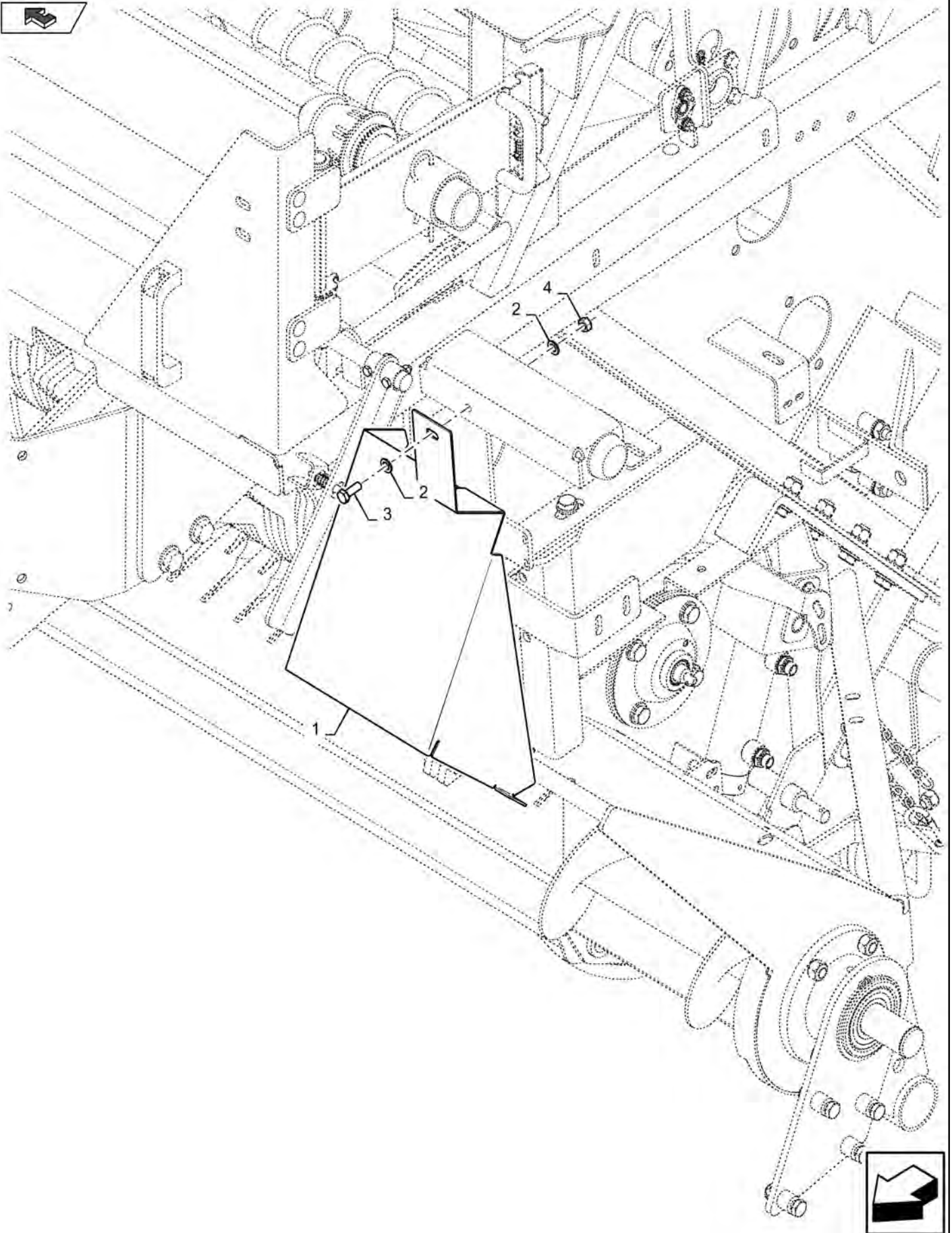
Orkel GP 1270 Kombi/ Orkel GP 1270S

90.105.100

p1

4/2017

FRONT SHIELD, LH & RH

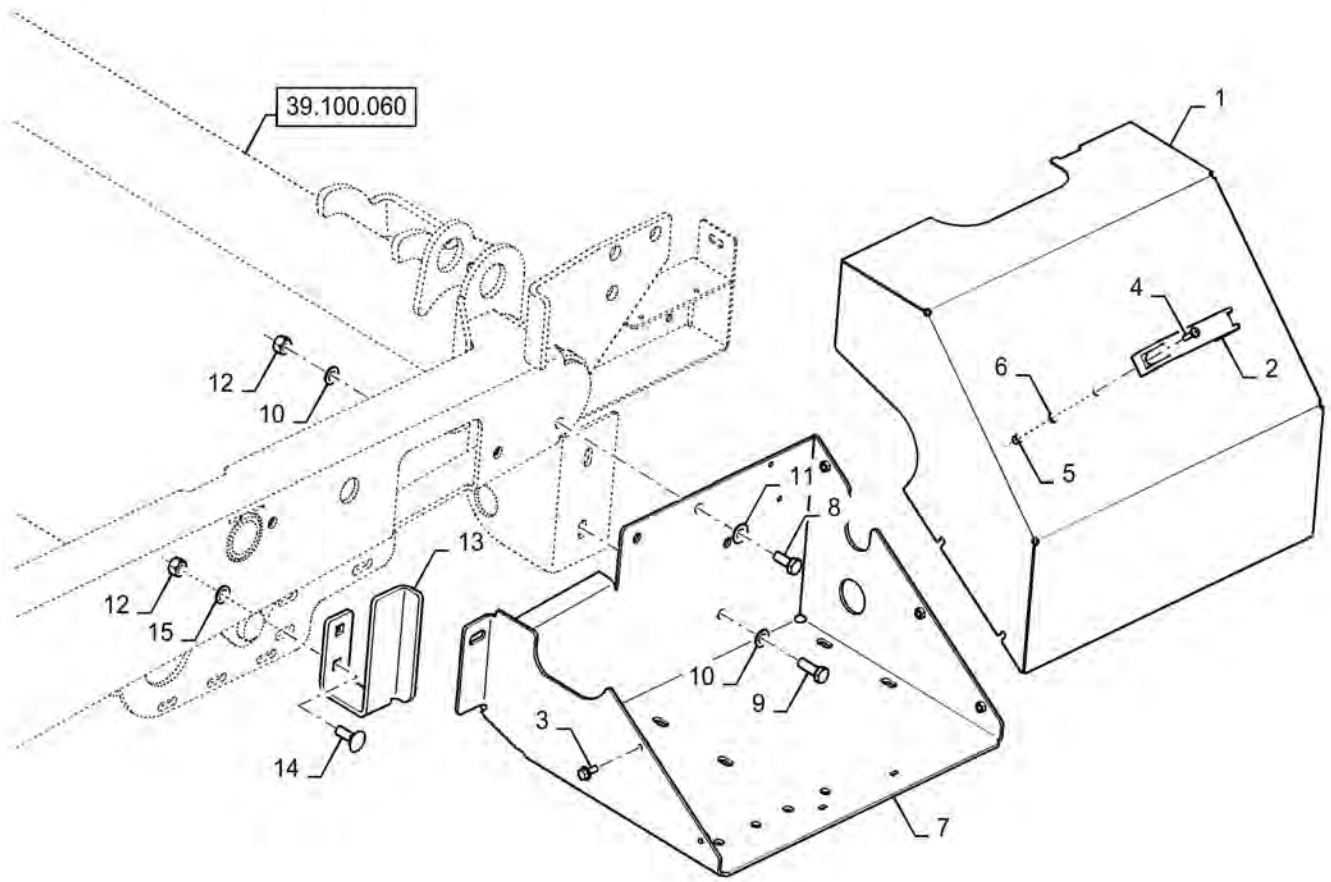


FRONT SHIELD, LH & RH

REF FN	PART NUMBER	YR/SN	QTY DESCRIPTION
1	47834430		1 SHIELD LH
1	47834431		1 SHIELD RH
2	86624184		8 WASHER 9mm ID x 16mm OD x 1.6mm Thk
3	86625001		4 BOLT Hex, M8 x 22mm, Cl 8.8, Full Thd
4	9706690		4 NUT M8 x 1.25, Cl 8

Orkel GP 1270 Kombi/ Orkel GP 1270S

STORAGE BOX

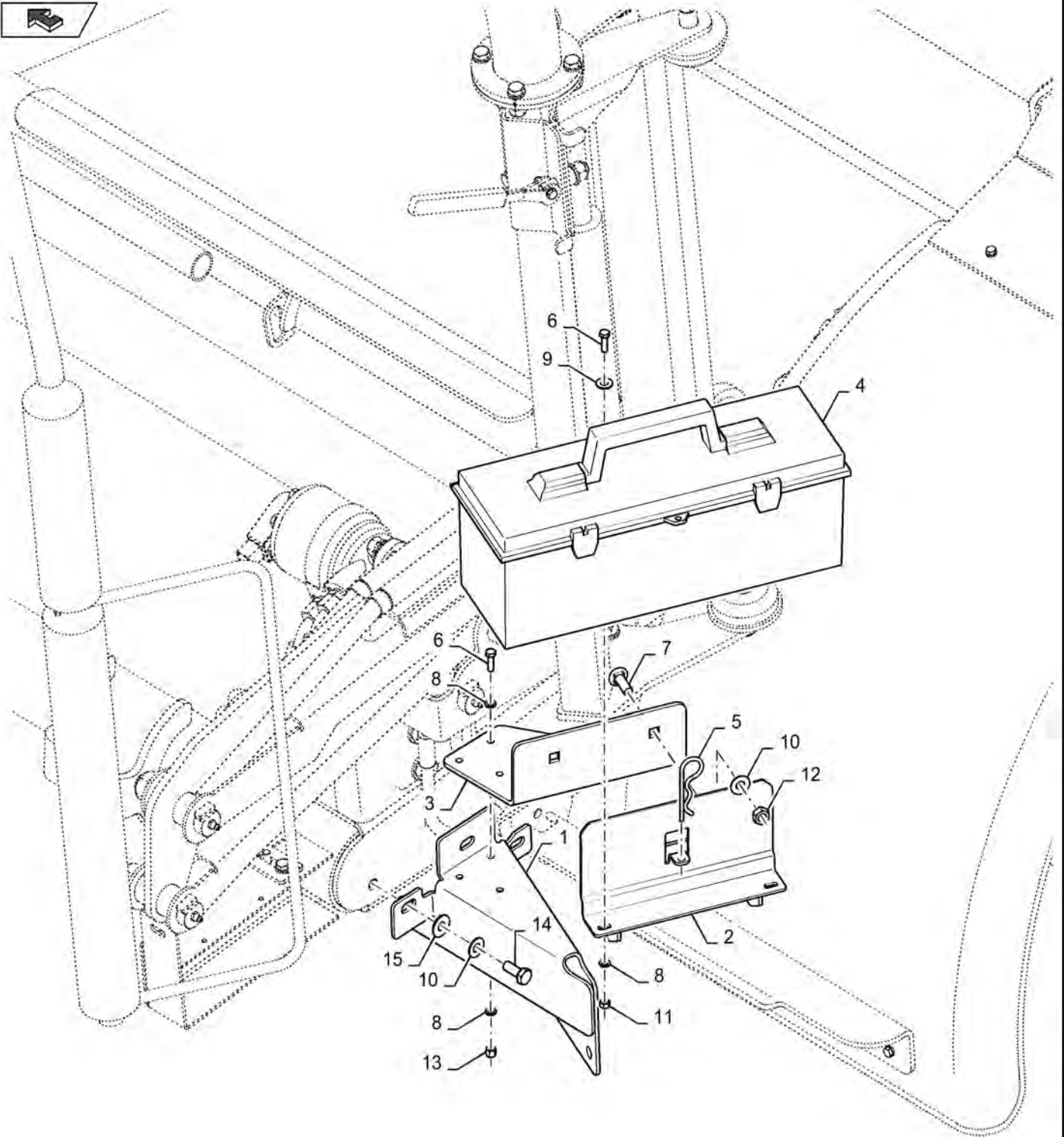


STORAGE BOX

REF FN	PART NUMBER	YR/SN	QTY DESCRIPTION
1	47712045		1 COVER
2	47440785		1 DOOR HANDLE
3	9804255		3 BOLT Hex, M6 x 1 x 16mm, Full Thd, CI 8.8
4	86511827		2 SCREW Phillips Drive, Pan HD, M5 x 20mm, CI 4.8
5	86639241		2 NUT Prev Torque, M5 x 0.8, CI 8
6	9824326		2 WASHER 5.3mm ID x 10mm OD x 1mm Thk
7	47973129		1 BRACKET
8	43139		2 BOLT M10 x 1.5 x 25mm, CI 8.8
9	43140		2 BOLT Hex, M10 x 1.5 x 30mm, CI 8.8
10	86511323		4 WASHER 10.5mm ID x 20mm OD x 2mm Thk
11	140045		2 BELLEVILLE WASHER M10 Bolt Size x 22mm OD x 1.6mm Thk
12	412141		4 NUT M10 x 1.5, CI 8
13	48020312		1 BRACKET
14	86512424		2 CARRIAGE BOLT Sq Nk, M10 x 30mm, CI 8.8, Full Thd
15	86624176		2 WASHER 11mm ID x 20mm OD x 2mm Thk

Orkel GP 1270 Kombi/ Orkel GP 1270S

TOOLBOX

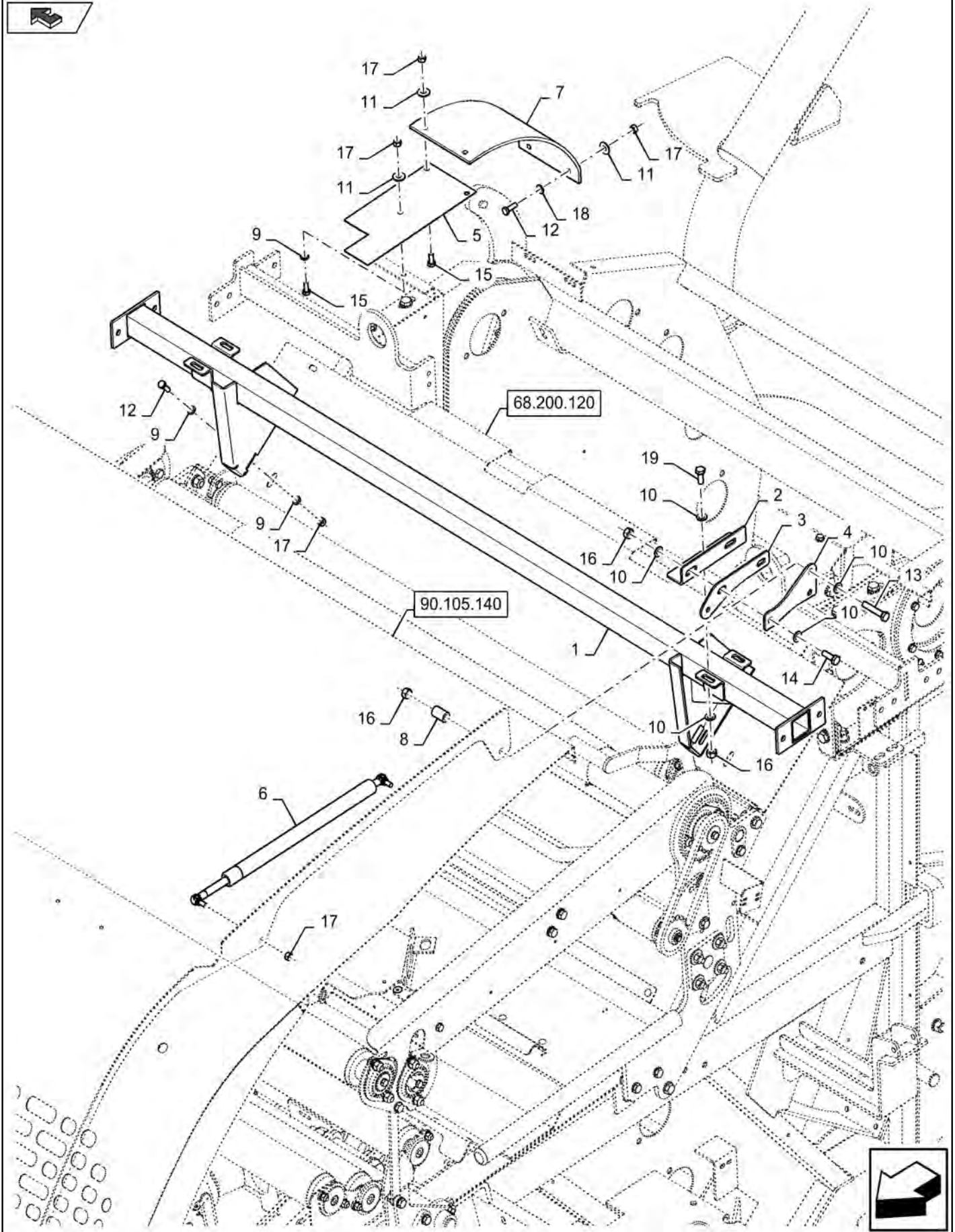


TOOLBOX

REF FN	PART NUMBER	YR/SN	QTY DESCRIPTION
1	47972971		1 SUPPORT
2	47425621		1 SUPPORT
3	47873696		1 SUPPORT
4	47450371		1 TOOL BOX
5	437424		1 COTTER PIN
6	86977786		5 BOLT Hex, M6 x 1 x 25mm, CI 8.8
7	86633356		2 CARRIAGE BOLT M10 x 34.8mm, CI 8.8
8	86588450		8 WASHER 6.6mm ID x 12mm OD x 1.6mm Thk
9	322358		2 BELLEVILLE WASHER M8 Bolt Size x 18mm OD x 1.4mm Thk
10	140045		5 BELLEVILLE WASHER M10 Bolt Size x 22mm OD x 1.6mm Thk
11	86500688		2 NUT Hex, M6 x 1.0, CI 10.9
12	86500689		2 NUT M10 x 1.5, CI 10
13	393392		3 LOCK NUT Prev Torque, M6 x 1, CI 8
14	43139		3 BOLT M10 x 1.5 x 25mm, CI 8.8
15	12646801		3 WASHER 10.2mm ID x 25mm OD x 2mm Thk

Orkel GP 1270 Kombi/ Orkel GP 1270S

TOP SHIELD

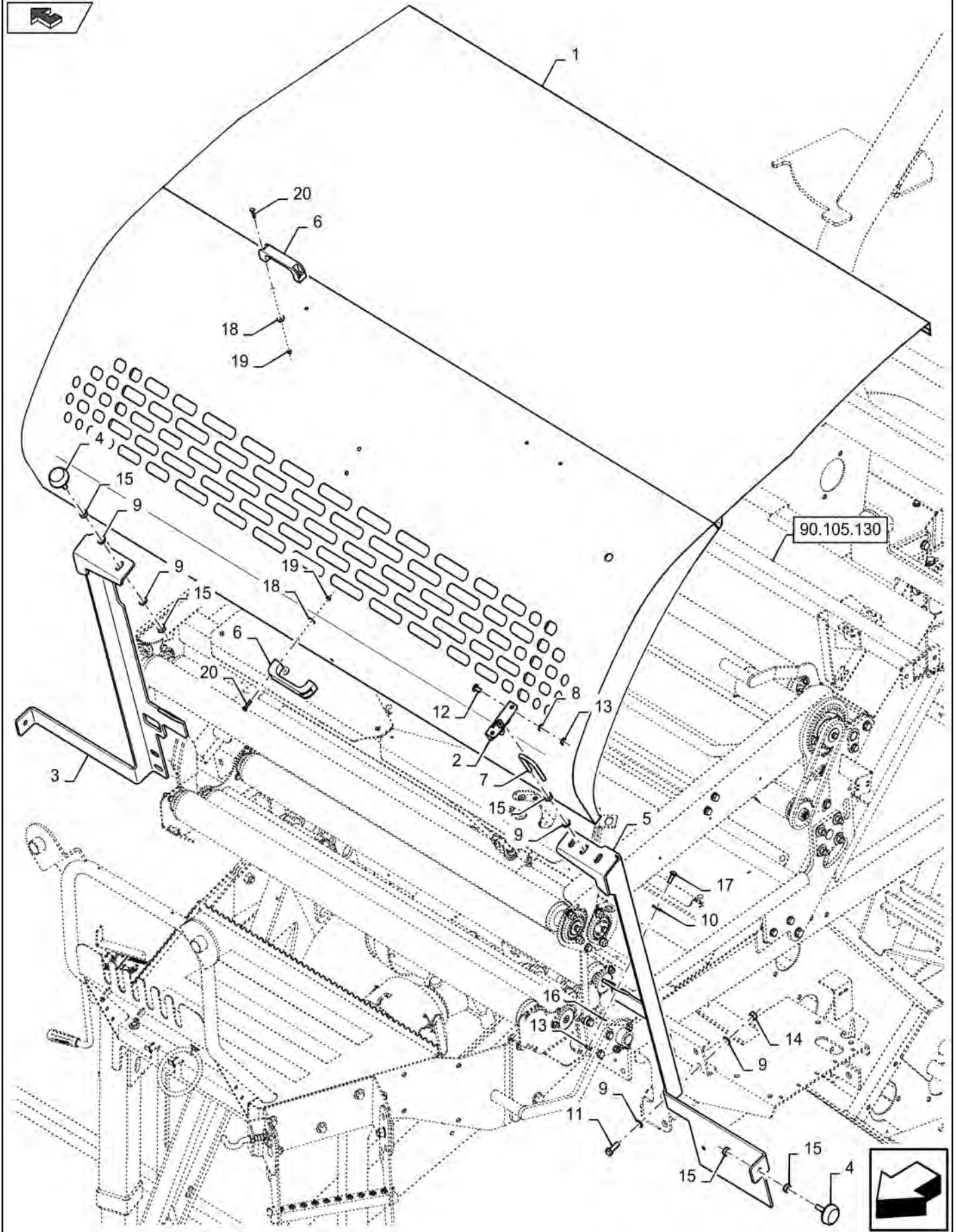


TOP SHIELD

REF FN	PART NUMBER	YR/SN	QTY DESCRIPTION
1	47839509		1 FRAME
2	47839518		1 BRACKET LH
2	47839519		1 BRACKET RH
3	47839941		2 MOUNTING PLATE
4	47839940		2 MOUNTING PLATE
5	47908411		1 PLATE
6	47907797		2 GAS STRUT
7	47440309		1 RUBBER MOUNTING
8	47928594		2 BUSHING
9	86624184		9 WASHER 9mm ID x 16mm OD x 1.6mm Thk
10	86511323		18 WASHER 10.5mm ID x 20mm OD x 2mm Thk
11	86639313		5 WASHER 9mm ID x 24mm OD x 2mm Thk
12	43127		6 BOLT Hex, M8 x 1.25 x 25mm, CI 8.8
13	412151		2 BOLT M10 x 1.5 x 61.58mm, CI 8.8
14	43140		4 BOLT Hex, M10 x 1.5 x 30mm, CI 8.8
15	120104		3 BOLT Hex, M8 x 1.25 x 20mm, CI 8.8
16	84100524		10 NUT M10 x 1.5, CI 8
17	437013		13 NUT
18	83931520		2 WASHER 8.4mm ID x 17mm OD x 2mm Thk
19	43139		4 BOLT M10 x 1.5 x 25mm, CI 8.8

Orkel GP 1270 Kombi/ Orkel GP 1270S

PLASTIC WRAPPER SHIELD

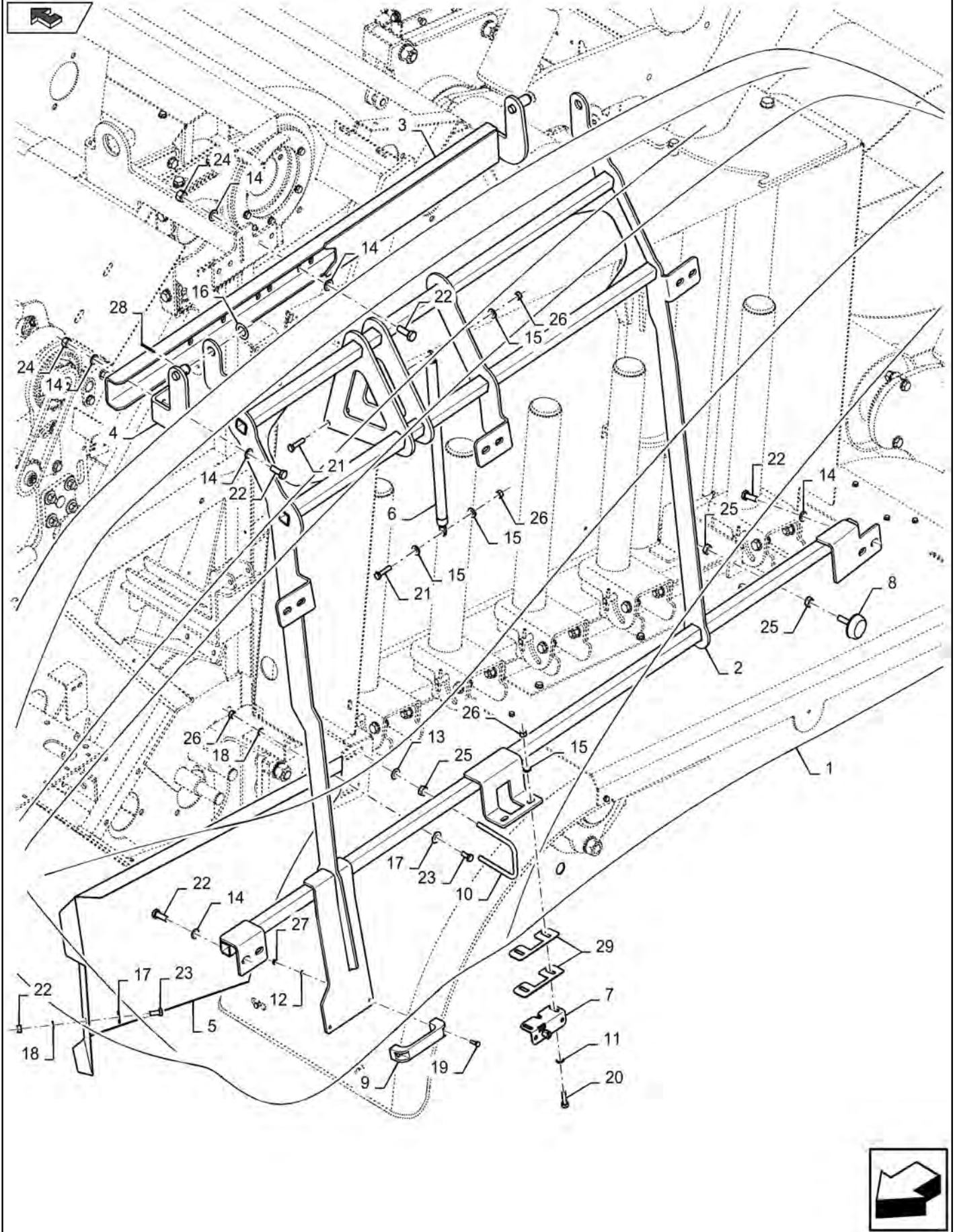


PLASTIC WRAPPER SHIELD

REF FN	PART NUMBER	YR/SN	QTY DESCRIPTION
1	47839520		1 COVER
2	84015292		1 LATCH
3	47839964		1 BUMPER
4	84440416		4 INSULATOR BLOCK
5	47839966		1 BUMPER
6	47440785		3 DOOR HANDLE
7	47824628		1 ROD
8	86624184		2 WASHER 9mm ID x 16mm OD x 1.6mm Thk
9	86624176		16 WASHER 11mm ID x 20mm OD x 2mm Thk
10	86639313		2 WASHER 9mm ID x 24mm OD x 2mm Thk
11	43140		4 BOLT Hex, M10 x 1.5 x 30mm, CI 8.8
12	86507486		2 CARRIAGE BOLT M8 x 1.25 x 20mm, CI 8.8
13	9706690		4 NUT M8 x 1.25, CI 8
14	84100524		4 NUT M10 x 1.5, CI 8
15	100016		12 NUT M10 x 1.5, CI 8
16	322358		2 BELLEVILLE WASHER M8 Bolt Size x 18mm OD x 1.4mm Thk
17	308761		2 CARRIAGE BOLT M8 x 1.25 x 25mm, CI 8.8
18	140182		6 WASHER 5.5mm ID x 18mm OD x 2mm Thk
19	86639241		6 NUT Prev Torque, M5 x 0.8, CI 8
20	86511827		6 SCREW Phillips Drive, Pan HD, M5 x 20mm, CI 4.8

Orkel GP 1270 Kombi/ Orkel GP 1270S

SHIELDING, LH & RH

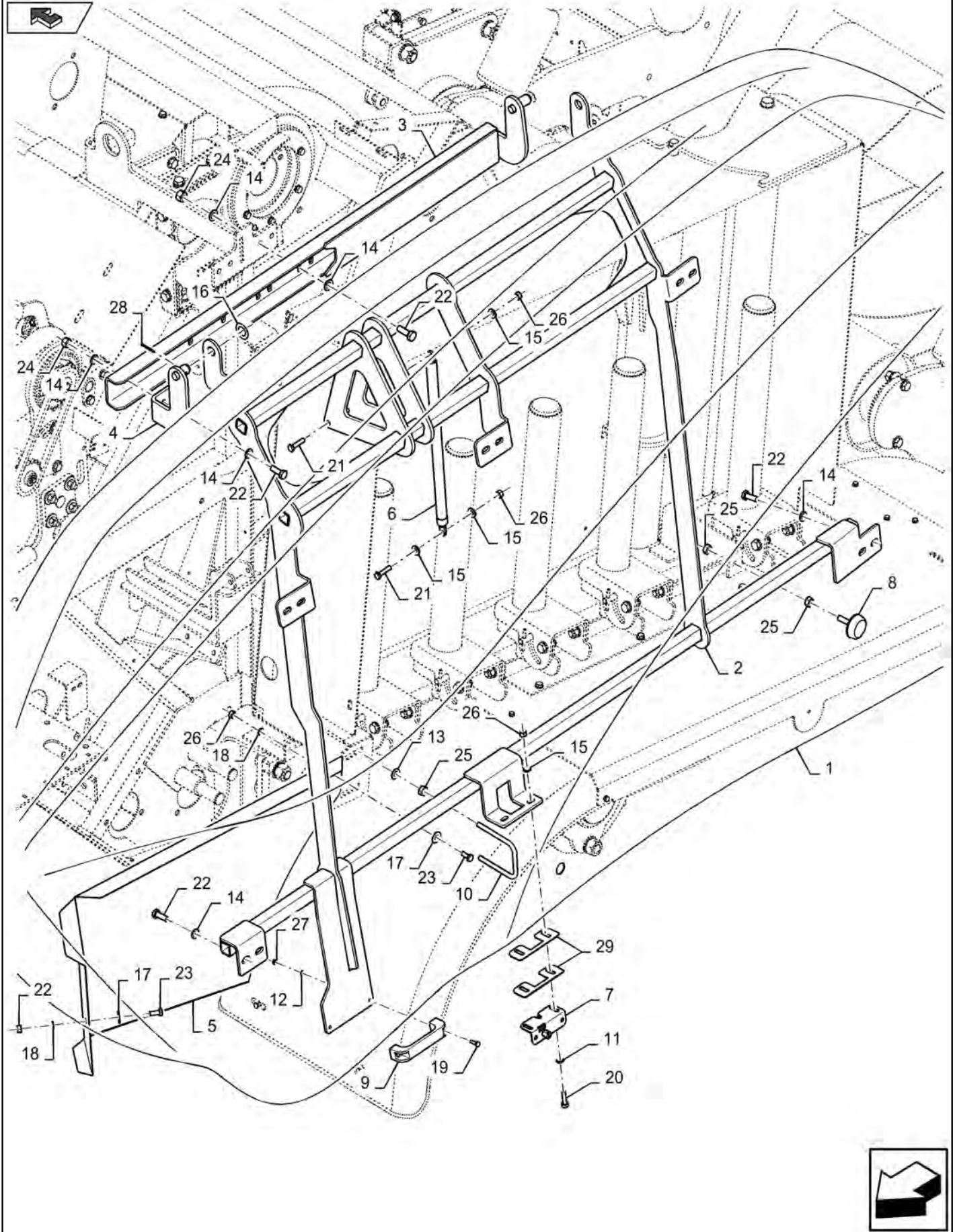


SHIELDING, LH & RH

REF FN	PART NUMBER	YR/SN	QTY DESCRIPTION
1	47830985		1 SHIELD LH
1	47826002		1 SHIELD RH
2	47836840		1 SUPPORT LH
2	47836842		1 SUPPORT RH
3	47837836		1 BRACKET LH
3	47837817		1 BRACKET RH
4	47837829		1 BRACKET LH
4	47837815		1 BRACKET RH
5	47837845		1 SHIELD LH
5	47837856		1 SHIELD RH
6	47824482		2 GAS STRUT
7	84015292		1 LATCH
8	84440416		1 INSULATOR BLOCK
9	47440785		1 DOOR HANDLE
10	47837823		1 ROD
11	86624184		4 WASHER 9mm ID x 16mm OD x 1.6mm Thk
12	9824326		2 WASHER 5.3mm ID x 10mm OD x 1mm Thk
13	140045		4 BELLEVILLE WASHER M10 Bolt Size x 22mm OD x 1.6mm Thk
14	86624176		26 WASHER 11mm ID x 20mm OD x 2mm Thk
15	12647121		6 WASHER 8.15mm ID x 20mm OD x 3mm Thk
16	13580001		3 WASHER 21mm ID x 36mm OD x 0.5mm Thk
17	86639313		2 WASHER 9mm ID x 24mm OD x 2mm Thk
18	10571774		2 LOCK WASHER 8.1mm ID x 14.8mm OD x 2mm Thk
19	86585710		2 SCREW Phillips Drive, Pan HD, M5 x 25mm, CI 4.8
20	43128		2 BOLT M8 x 1.25 x 30mm, CI 8.8
21	412479		4 BOLT Hex, M8 x 1.25 x 35mm, CI 8.8
22	43140		18 BOLT Hex, M10 x 1.5 x 30mm, CI 8.8
23	120104		2 BOLT Hex, M8 x 1.25 x 20mm, CI 8.8
24	412141		8 NUT M10 x 1.5, CI 8
25	100016		6 NUT M10 x 1.5, CI 8
26	437013		8 NUT

Orkel GP 1270 Kombi/ Orkel GP 1270S

SHIELDING, LH & RH



SHIELDING, LH & RH

REF FN	PART NUMBER	YR/SN	QTY DESCRIPTION
27	86639241		2 NUT Prev Torque, M5 x 0.8, Cl 8
28	10734601		1 COTTER PIN 3.2mm OD x 28mm OAL
29	48021051		4 SPACER

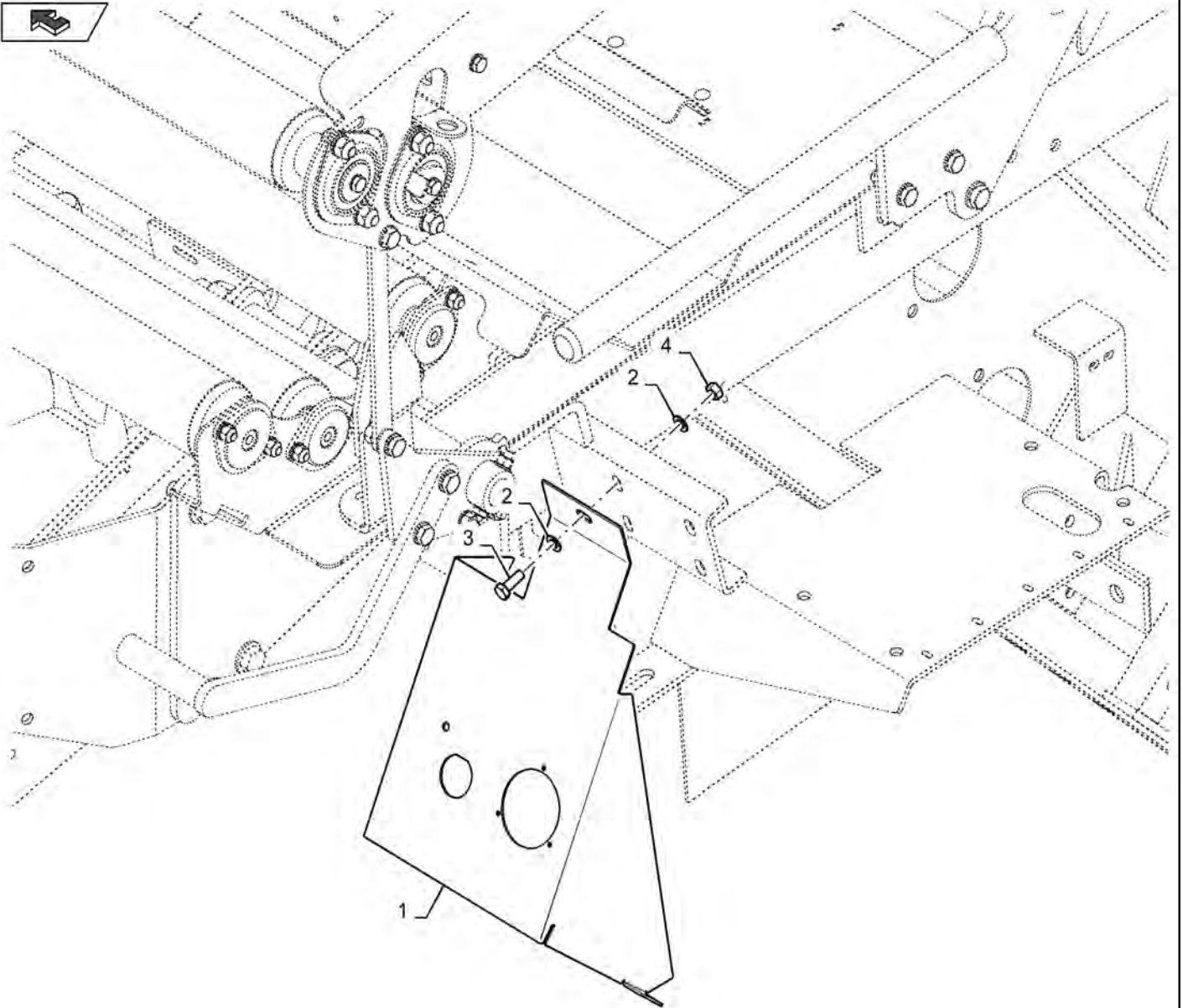
Orkel GP 1270 Kombi/ Orkel GP 1270S

90.105.160

p1

4/2017

FRONT SHIELD, LH & RH



FRONT SHIELD, LH & RH

REF FN	PART NUMBER	YR/SN	QTY DESCRIPTION
1	47838591		1 SHIELD LH
1	47838588		1 SHIELD RH
2	86624184		8 WASHER 9mm ID x 16mm OD x 1.6mm Thk
3	86625001		4 BOLT Hex, M8 x 22mm, Cl 8.8, Full Thd
4	9706690		4 NUT M8 x 1.25, Cl 8

Orkel GP 1270 Kombi/ Orkel GP 1270S

SAFETY AND INSTRUCTION DECALS



L 1



L 2



L 3



L 4



L 5



L 6



L 7



L 8



L 9



L 10



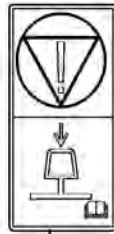
L 11



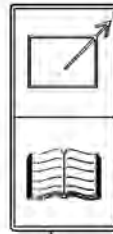
L 12



L 13



L 14



L 15



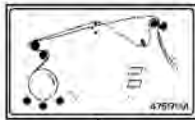
L 16



L 17



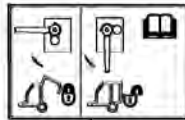
L 18



L 19



L 20



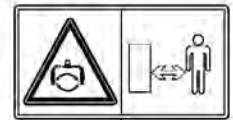
L 21



L 22



L 23



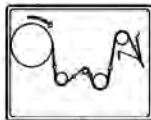
L 24



L 25



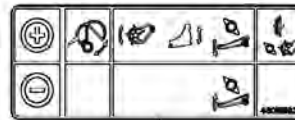
L 26



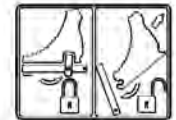
L 27



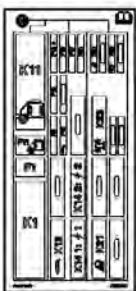
L 28



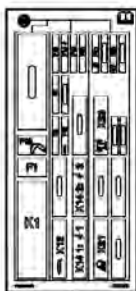
L 29



L 30



L 31



L 32



L 33



L 34



L 35



L 36



L 37



L 38



SAFETY AND INSTRUCTION DECALS

REF FN	PART NUMBER	YR/SN	QTY DESCRIPTION
1	84005363		1 DANGER DECAL
2	84004738		1 DECAL
3	84014115		1 DECAL
4	84014114		1 CAUTION DECAL
5	84021105		1 DECAL
6	84004731		1 WARNING DECAL
7	84004744		1 IMPORTANT DECAL
8	84004734		1 WARNING DECAL
9	84078384		1 DECAL
10	84100296		1 DECAL
11	47361241		1 WARNING DECAL
12	47361329		1 DANGER DECAL
13	84004736		1 DANGER DECAL
14	48023249		1 DECAL
15	48024795		1 DECAL
16	86516139		1 CAUTION DECAL
17	86642359		1 DANGER DECAL
18	449973		1 DECAL
19	48032573		1 DECAL
20	47517892		1 CAUTION DECAL
21	48016770		1 DECAL
21	48103570		1 DECAL
22	48041414		1 DECAL
23	47361285		1 WARNING DECAL
24	48016633		1 CAUTION DECAL
25	1 48016632		1 CAUTION DECAL
26	2 47932282		1 DECAL
27	47871624		1 DECAL
28	1 48015583		1 DECAL
29	2 48015582		1 DECAL
30	47700754		1 CAUTION DECAL
31	1 47886514		1 DECAL
(1)	FOR ROLL BALER 125 COMBI ONLY		
(2)	FOR ROLL BALER 125 ONLY		

Orkel GP 1270 Kombi/ Orkel GP 1270S

SAFETY AND INSTRUCTION DECALS



L 1



L 2



L 3



L 4



L 5



L 6



L 7



L 8



L 9



L 10



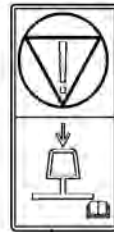
L 11



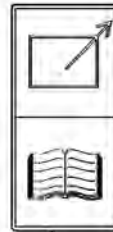
L 12



L 13



L 14



L 15



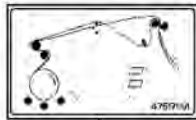
L 16



L 17



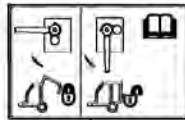
L 18



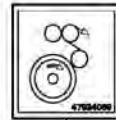
L 19



L 20



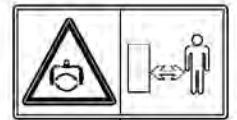
L 21



L 22



L 23



L 24



L 25



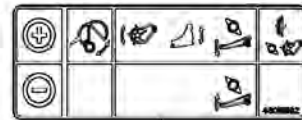
L 26



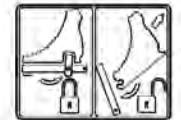
L 27



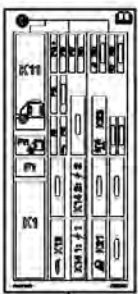
L 28



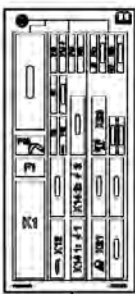
L 29



L 30



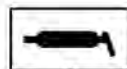
L 31



L 32



L 33



L 34



L 35



L 36



L 37



L 38



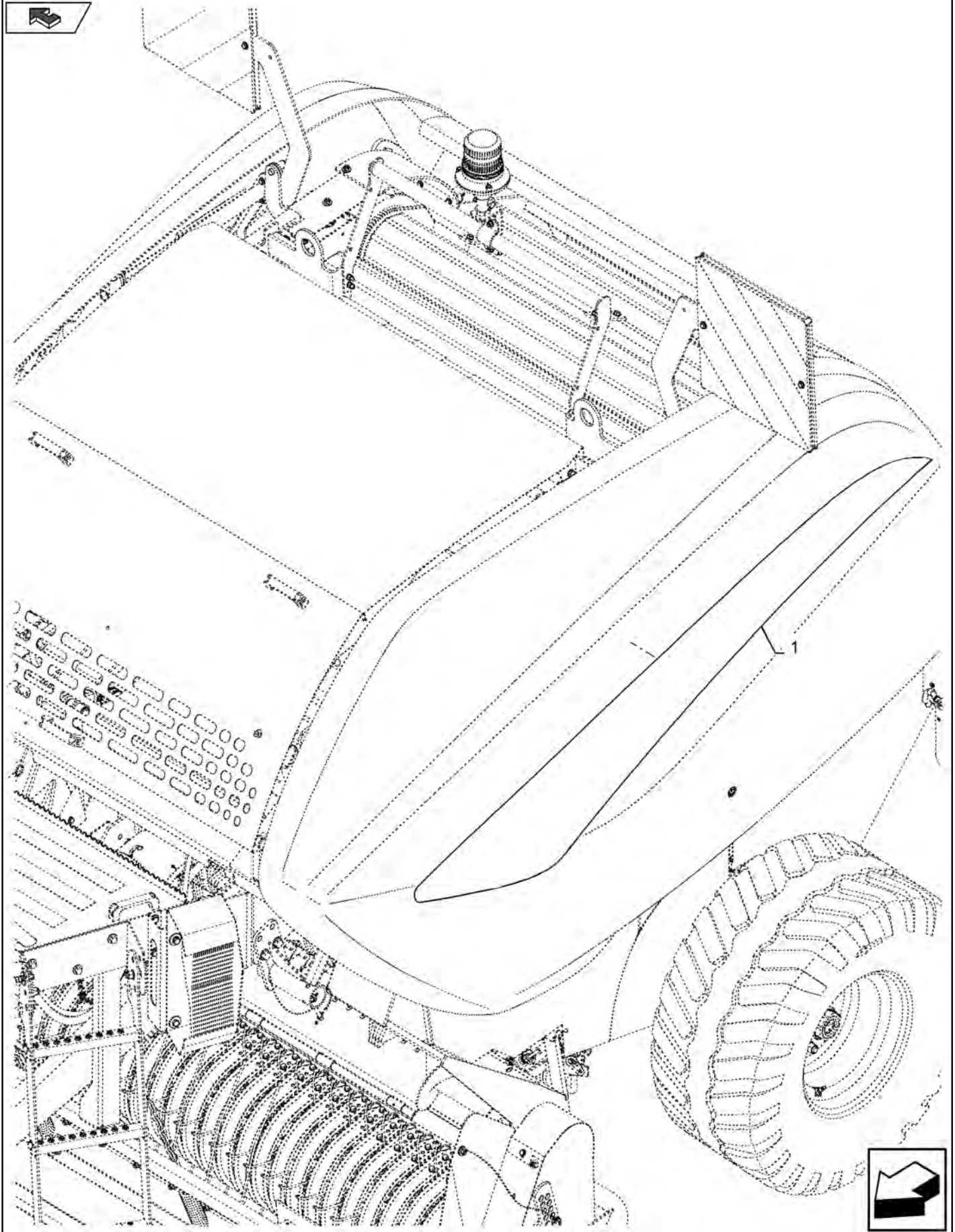
SAFETY AND INSTRUCTION DECALS

REF FN	PART NUMBER	YR/SN	QTY DESCRIPTION
32	1 47886517		1 DECAL
33	9846526		1 DECAL
34	165109		1 DECAL
35	47927043		1 DECAL
36	47702482		1 DECAL LxB=0.7Mx0.21M
37	48016635		1 DECAL LxB=0.265Mx0.21M
38	48016634		1 DECAL LxB=0.522Mx0.21M

(1) FOR ROLL BALER 125 ONLY

Orkel GP 1270 Kombi/ Orkel GP 1270S

COMMERCIAL DECALS



90.108.020

p1

4/2017

COMMERCIAL DECALS

REF FN	PART NUMBER	YR/SN	QTY DESCRIPTION
1	47851218		1 DECAL LH
1	47851217		1 DECAL RH

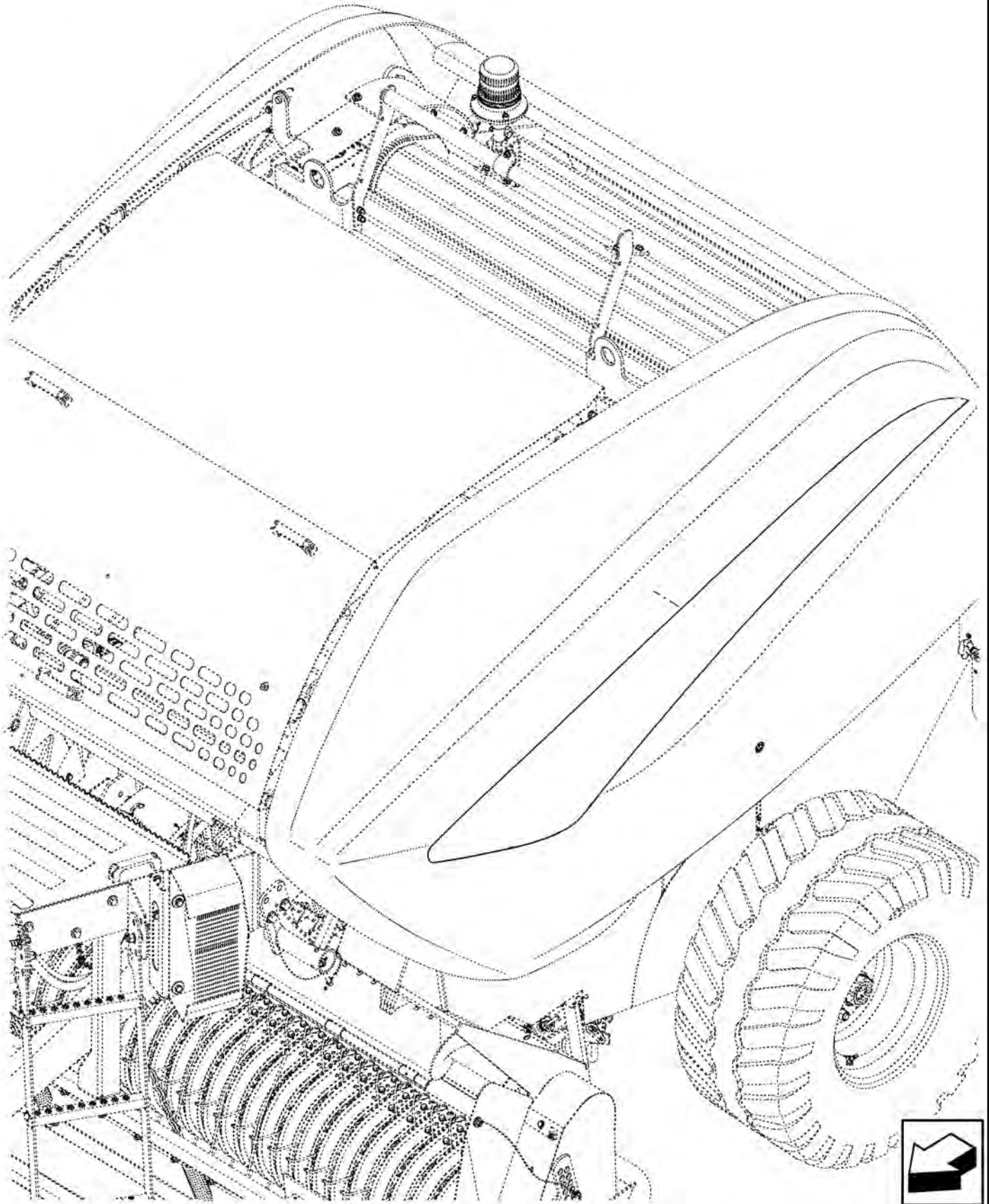
Orkel GP 1270 Kombi/ Orkel GP 1270S

90.108.040

p1

4/2017

COMMERCIAL DECALS

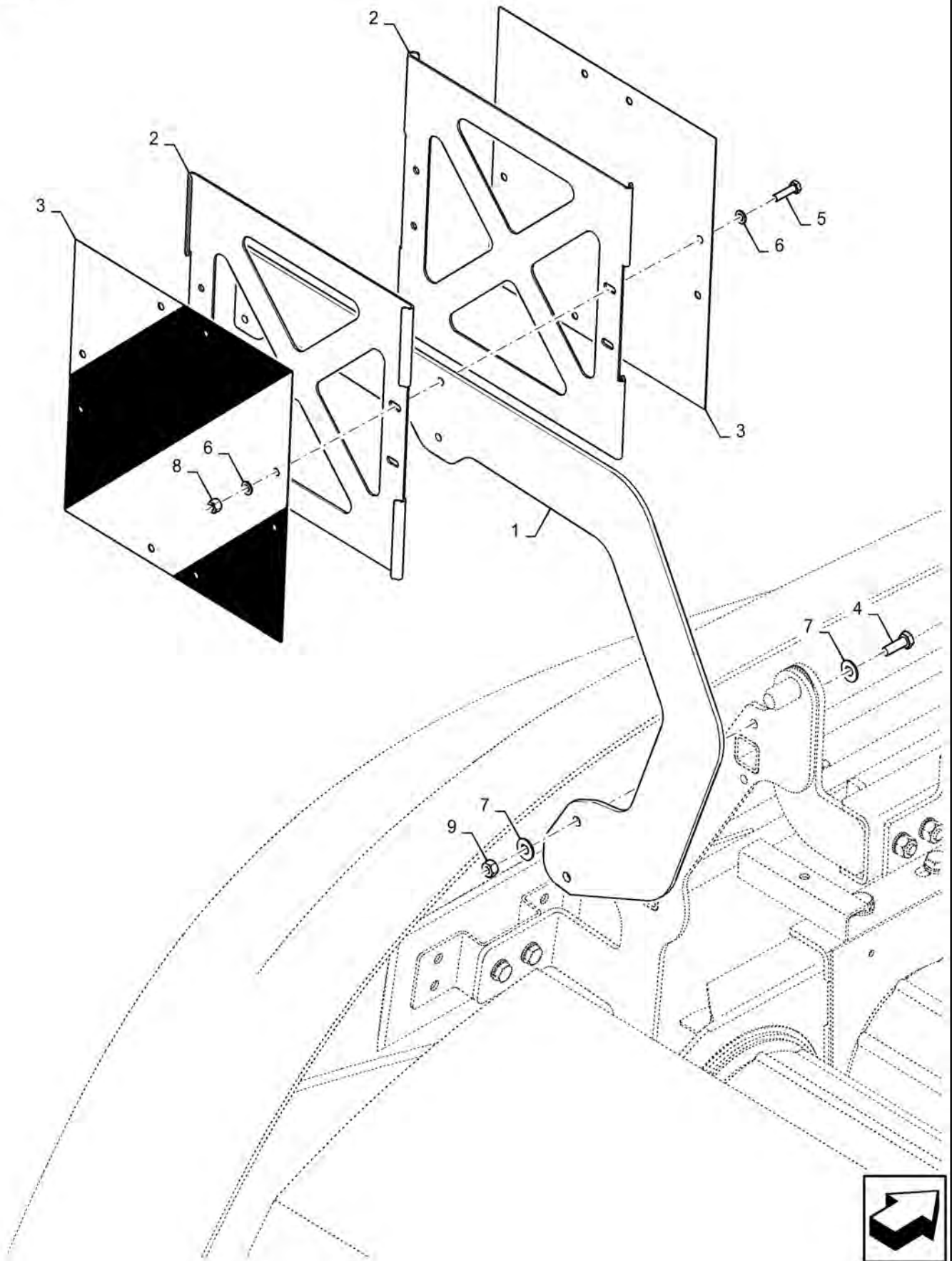


COMMERCIAL DECALS

REF FN	PART NUMBER	YR/SN	QTY DESCRIPTION
1	47851337		1 DECAL LH
1	47851332		1 DECAL RH
2	47851349		1 DECAL LH
2	47855720		1 DECAL RH
3	87302511		1 SYMBOL
4	87439523		2 RUBBER WASHER
5	48032484		2 CAP
6	84429041		2 LOCKING RING

Orkel GP 1270 Kombi/ Orkel GP 1270S

SIGNAL PLATES

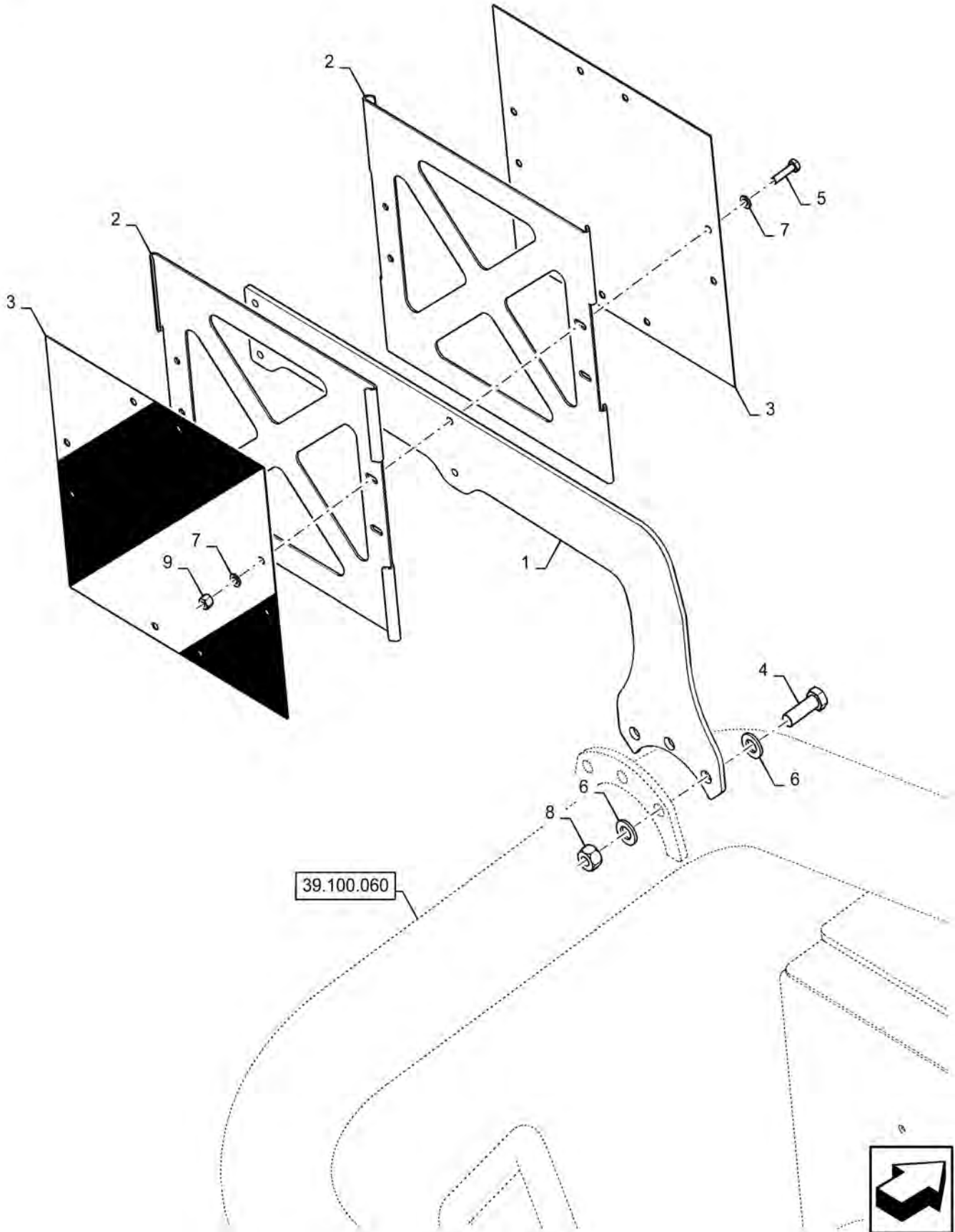


SIGNAL PLATES

REF FN	PART NUMBER	YR/SN	QTY DESCRIPTION
1	48067637		2 BRACKET
2	48045178		4 MOUNTING PLATE
3	48064922		4 PLATE
4	43127		4 BOLT Hex, M8 x 1.25 x 25mm, CI 8.8
5	86977786		8 BOLT Hex, M6 x 1 x 25mm, CI 8.8
6	86588450		16 WASHER 6.6mm ID x 12mm OD x 1.6mm Thk
7	86625263		8 WASHER 9mm ID x 20mm OD x 1.6mm Thk
8	393392		8 LOCK NUT Prev Torque, M6 x 1, CI 8
9	437013		4 NUT

Orkel GP 1270 Kombi/ Orkel GP 1270S

SIGNAL PLATES

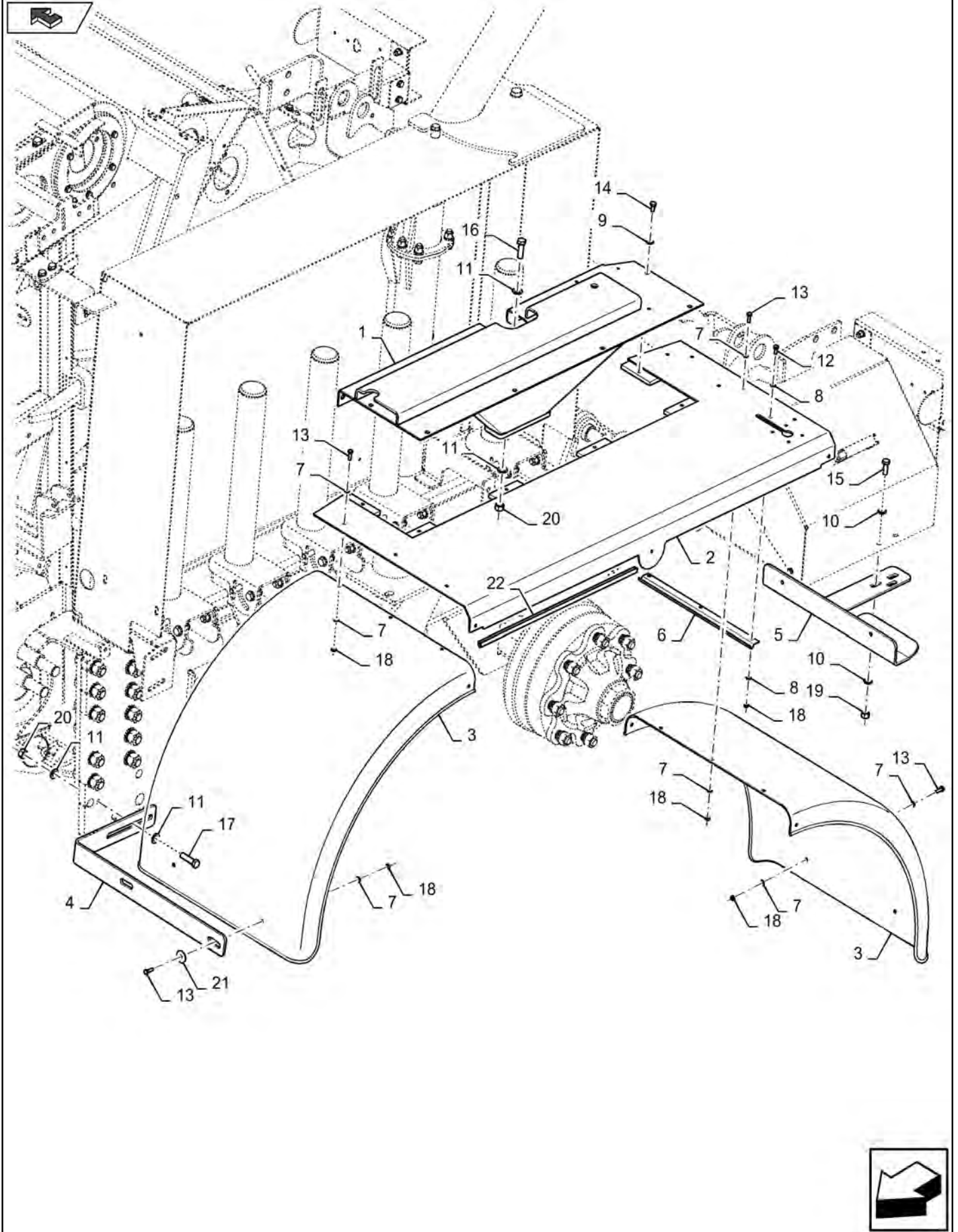


SIGNAL PLATES

REF FN	PART NUMBER	YR/SN	QTY DESCRIPTION
1	48068023		2 PLATE
2	48045178		4 MOUNTING PLATE
3	48064922		4 PLATE
4	300389		6 BOLT M12 x 1.75 x 35mm, CI 8.8
5	86977786		8 BOLT Hex, M6 x 1 x 25mm, CI 8.8
6	86511324		12 WASHER 13mm ID x 24mm OD x 2.5mm Thk
7	86588450		16 WASHER 6.6mm ID x 12mm OD x 1.6mm Thk
8	84278115		6 NUT
9	393392		8 LOCK NUT Prev Torque, M6 x 1, CI 8

Orkel GP 1270 Kombi/ Orkel GP 1270S

MUD GUARDS, LH & RH

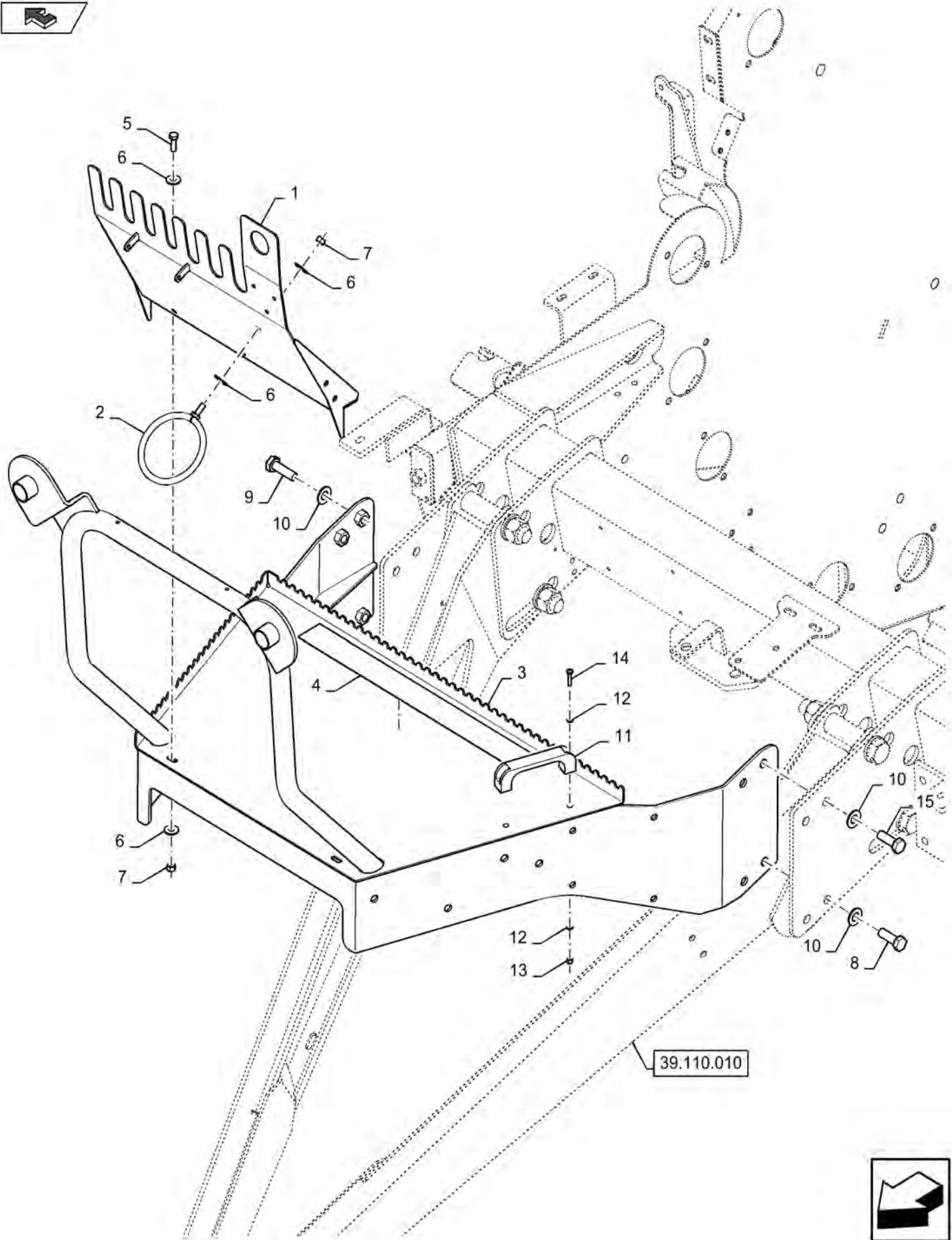


MUD GUARDS, LH & RH

REF FN	PART NUMBER	YR/SN	QTY DESCRIPTION
1	47658731		1 FENDER LH
1	47658720		1 FENDER RH
2	47774949		1 SUPPORT LH
2	47776229		1 SUPPORT RH
3	47774849		4 FENDER
4	47777361		2 SUPPORT
5	47777948		1 SUPPORT LH
5	47779183		1 SUPPORT RH
6	47894532		1 SUPPORT
7	9824259		44 WASHER 6.4mm ID x 12mm OD x 1.6mm Thk
8	86588450		6 WASHER 6.6mm ID x 12mm OD x 1.6mm Thk
9	14496501		12 WASHER 8.4mm ID x 17mm OD x 1.6mm Thk
10	86624176		4 WASHER 11mm ID x 20mm OD x 2mm Thk
11	86511324		12 WASHER 13mm ID x 24mm OD x 2.5mm Thk
12	86508568		3 BOLT Hex, M6 x 1 x 16mm, CI 8.8
13	120100		24 BOLT M6 x 20mm, CI 8.8
14	120103		12 BOLT M8 x 1.25 x 16mm, CI 8.8
15	43140		2 BOLT Hex, M10 x 1.5 x 30mm, CI 8.8
16	86629541		4 BOLT Hex, M12 x 1.75 x 40mm, CI 8.8
17	9628065		2 SCREW Hex, M12 x 1.75 x 45mm, CI 8.8
18	412152		27 NUT M6 x 1, CI 8.8
19	412141		2 NUT M10 x 1.5, CI 8
20	84278115		6 NUT
21	12624904		4 WASHER 6.15mm ID x 30mm OD x 1.5mm Thk
22	291186		4 PROTECTION STRIP 9.9mm W L= 0.55M

Orkel GP 1270 Kombi/ Orkel GP 1270S

FRONT ACCES PLATFORM

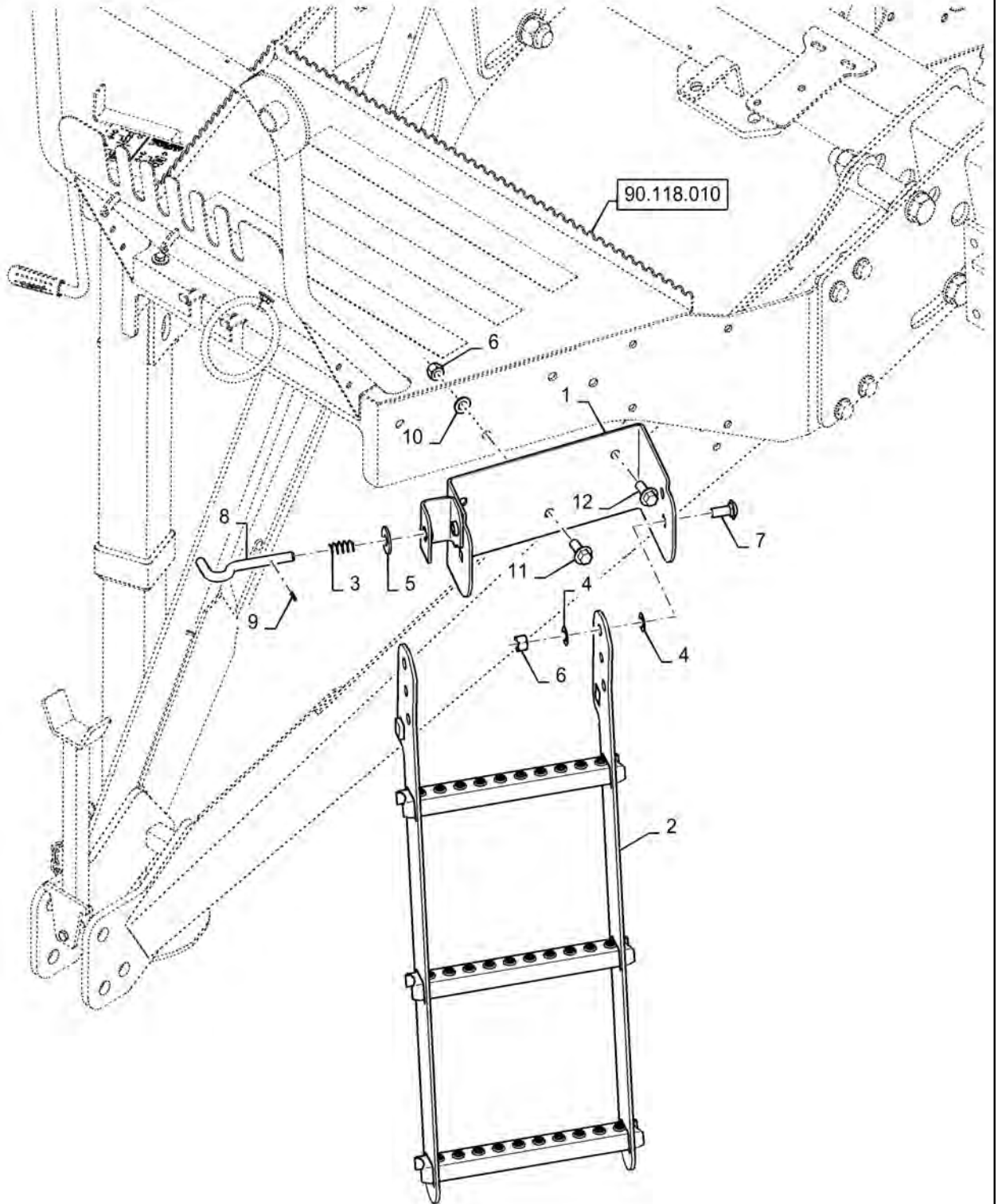


FRONT ACCES PLATFORM

REF FN	PART NUMBER	YR/SN	QTY DESCRIPTION
1	47768662		1 SUPPORT
2	47468364		1 RING
3	47937337		1 PLATFORM
4	401502		3 ANTI-SKID STRIP L=0.5M
5	43127		3 BOLT Hex, M8 x 1.25 x 25mm, Cl 8.8
6	86639313		8 WASHER 9mm ID x 24mm OD x 2mm Thk
7	437013		4 NUT
8	87672190		4 BOLT
9	87672180		2 BOLT Hex, M14 x 2 x 40mm, Cl 8.8, Full Thd
10	87389396		8 BELLEVILLE WASHER M14 Bolt Size x 30mm OD x 2.4mm Thk
11	47440785		1 DOOR HANDLE
12	9824326		4 WASHER 5.3mm ID x 10mm OD x 1mm Thk
13	86639241		2 NUT Prev Torque, M5 x 0.8, Cl 8
14	86585710		2 SCREW Phillips Drive, Pan HD, M5 x 25mm, Cl 4.8
15	86509597		2 BOLT Hex, M30 x 14mm, Cl 8.8

Orkel GP 1270 Kombi/ Orkel GP 1270S

FRONT ACCES LADDER



FRONT ACCES LADDER

REF FN	PART NUMBER	YR/SN	QTY DESCRIPTION
1	47934475		1 STEP
2	47934476		1 STEP
3	596127		1 SPRING 38.1mm Free Length
4	140175		4 WASHER 13.2mm ID x 25mm OD x 1mm Thk
5	87016607		1 WASHER 13.5mm ID x 37mm OD x 3mm Thk
6	412126		5 NUT M12 x 1.75
7	120044		2 CARRIAGE BOLT M12 x 1.75 x 30mm, Cl 8.8
8	84335923		1 PIN 12.75mm OD
9	300865		1 LOCK PIN M3 x 20mm OAL, Slotted
10	86511324		3 WASHER 13mm ID x 24mm OD x 2.5mm Thk
11	9670066		2 FLANGE BOLT Hex, M12 x 30mm, Cl 8.8
12	9670288		1 BOLT Hex, M12 x 35mm, Cl 8.8

Orkel GP 1270 Kombi/ Orkel GP 1270S

INDEX - INDICE - INDEX - ZAHLENVERZEICHNIS - INDICE - INDICE - INDHOLD - INHOUD

Number	Figure	Sequence	Ref.	Number	Figure	Sequence	Ref.
	05.100.03	01	30	10571774	68.200.250		16
	05.100.03	01	31	10571774	90.105.010		4
	05.100.03	01	32	10571774	90.105.150		18
	05.100.03	01	33	10571879	31.220.010		9
	05.100.03	01	34	10571879	68.200.140		19
100012	35.568.010		12	10717521	55.633.010		11
100012	55.404.050		32	10733601	33.300.090		6
100016	33.110.010		15	10734601	90.105.080		27
100016	35.565.010		19	10734601	90.105.090		27
100016	39.100.050		36	10734601	90.105.150		28
100016	55.905.020		15	10910321	68.200.210		20
100016	60.220.110		14	10977821	55.530.010		7
100016	68.200.150		12	10977821	71.480.010		4
100016	70.280.010		11	10977821	71.480.020		12
100016	88.055.070		26	10977821	71.480.030		4
100016	88.060.040	01	19	10977821	71.480.040		12
100016	88.060.040	03	15	10977821	88.055.040		7
100016	88.070.010		11	10977834	55.404.060		9
100016	90.105.050		18	10977834	88.055.030		9
100016	90.105.080		25	11066476	60.220.090		15
100016	90.105.090		25	11066476	60.220.100		18
100016	90.105.140		15	11066476	60.220.130		13
100016	90.105.150		25	11083176	35.914.020		6
100020	39.100.050		37	11083176	68.200.170		1
100020	55.633.010		12	11119421	39.100.050		23
100020	62.140.130		18	11193871	71.480.010		18
100020	62.140.140		26	11193871	71.480.030		18
100020	62.140.150		14	115680	39.110.010		18
100020	62.140.160		24	120038	68.200.010		13
100020	68.200.320		9	120038	68.200.020		17
100020	88.068.020		9	120044	60.220.040		6
100037	60.220.140		10	120044	60.220.050		6
100037	68.200.140		24	120044	90.118.020		7
100037	68.200.290		20	120061	68.200.220		31
10402480	68.200.220		7	120061	68.200.230		13
10445221	62.140.170		12	120062	68.200.250		19
10519601	39.100.060		14	120068	68.200.270		11
10519601	55.404.050		13	120069	33.300.030		16
10519601	55.404.050		23	120069	33.300.070		13
10519601	60.220.150		26	120069	88.033.001	03	17
10519601	90.105.080		17	120071	60.220.110		11
10519601	90.105.090		17	120071	60.220.180		19
10520501	60.220.030		15	120071	88.060.040	03	12
10569379	35.914.030		16	120074	68.200.300		17
10571770	68.200.270		10	120074	88.068.010		17
10571774	35.914.020		13	120075	68.200.160		17
10571774	39.100.030		10	120092	68.200.290		15
10571774	39.100.040		10	120093	68.200.320		6
10571774	68.200.140		20	120098	55.404.020		16
10571774	68.200.170		10	120098	55.404.050		19

INDEX - INDICE - INDEX - ZAHLENVERZEICHNIS - INDICE - INDICE - INDHOLD - INHOUD

Number	Figure	Sequence	Ref.	Number	Figure	Sequence	Ref.
120100	35.914.020		7	120104	90.105.040		11
120100	55.100.010		21	120104	90.105.070		19
120100	55.100.030		26	120104	90.105.130		15
120100	55.404.010		18	120104	90.105.150		23
120100	55.404.050		26	120107	68.200.250		20
120100	55.404.050		9	120112	35.565.010		15
120100	55.422.020		4	120112	39.100.050		21
120100	55.640.010		15	120112	68.200.120		10
120100	55.905.020		11	120112	68.200.130		10
120100	68.200.160		16	120112	68.200.150		7
120100	68.200.230		12	120112	88.060.040	01	15
120100	88.055.070		23	12574511	33.300.040		4
120100	90.105.010		11	12574511	33.300.070		12
120100	90.116.010		13	12574511	33.300.080		14
120101	55.520.010		6	12574511	88.033.001	04	5
120101	68.200.220		33	12575321	39.110.040		3
120101	88.055.070		13	12575321	39.110.061		3
120103	35.599.030		4	12577211	33.300.030		15
120103	55.100.010		22	12577211	39.100.030		20
120103	55.100.030		19	12577211	39.100.040		20
120103	60.220.110		13	12577211	88.033.001	03	16
120103	88.060.040	03	14	12577311	33.110.020		15
120103	90.116.010		14	12577311	68.200.210		23
120104	35.599.040		6	12577511	39.100.060		10
120104	35.914.020		12	12624904	90.116.010		21
120104	39.100.020		14	12625201	68.200.210		15
120104	39.100.030		13	12638501	60.220.150		30
120104	39.100.040		13	12639701	90.105.010		14
120104	39.100.060		15	12641001	68.200.300		10
120104	55.100.010		13	12641001	88.068.010		10
120104	55.100.030		23	12642001	90.105.010		12
120104	55.404.020		18	12644301	60.220.180		13
120104	55.633.010		4	12646201	68.200.270		9
120104	55.640.010		5	12646701	60.220.150		33
120104	55.640.020		5	12646701	71.460.010		7
120104	60.220.150		29	12646801	60.220.020		29
120104	68.200.010		18	12646801	90.105.120		15
120104	68.200.110		22	12647121	90.105.080		16
120104	68.200.140		11	12647121	90.105.090		16
120104	68.200.150		6	12647121	90.105.150		15
120104	68.200.170		9	12649601	90.105.060		19
120104	68.200.210		16	12649601	90.105.070		22
120104	68.200.270		12	134921	05.100.04	02	7
120104	71.460.010		4	134921	60.220.120		9
120104	71.480.010		12	13550201	90.105.010		13
120104	71.480.020		1	13579907	68.200.230		19
120104	71.480.030		12	13580001	68.200.280		25
120104	71.480.040		1	13580001	90.105.080		28
120104	90.105.020		3	13580001	90.105.090		28
120104	90.105.030		6	13580001	90.105.150		16

INDEX - INDICE - INDEX - ZAHLENVERZEICHNIS - INDICE - INDICE - INDHOLD - INHOUD

Number	Figure	Sequence	Ref.	Number	Figure	Sequence	Ref.
13580101	90.105.060		10	14496501	88.060.040	01	13
13580101	90.105.070		10	14496501	88.060.040	03	7
136521	05.100.04	02	3	14496501	90.105.070		18
136521	60.220.120		14	14496501	90.116.010		9
140017	68.200.300		11	14496601	68.200.290		12
140017	88.068.010		11	14496931	39.110.020		6
140022	68.200.300		15	14569387	68.200.320		10
140022	88.068.010		15	14569387	88.068.020		10
140028	62.140.120		3	14607074	35.914.040		13
140028	88.062.010		4	14607270	35.914.050		11
140042	60.220.200		6	14641491	35.599.010		23
140042	60.220.210		5	146988	60.220.020		13
140042	68.200.010		21	14724710	68.200.270		17
140042	68.200.070		13	150024	35.550.010		3
140042	88.060.020		6	15212521	33.202.060		9
140042	88.060.030		5	15212521	33.202.061		9
140045	33.110.010		13	15213621	68.200.220		22
140045	68.200.060		22	15224321	62.140.160		20
140045	68.200.060		9	15224321	68.200.320		5
140045	68.200.070		11	15224921	62.140.130		20
140045	88.090.010		10	15871934	39.110.040		2
140045	90.105.080		14	15871934	39.110.061		2
140045	90.105.090		14	15988334	68.200.300		22
140045	90.105.110		11	15988334	88.068.010		22
140045	90.105.120		10	15988531	39.100.060		20
140045	90.105.150		13	15988531	68.200.300		21
140046	33.110.010		8	15988531	88.068.010		21
140046	68.200.070		12	15990331	39.110.070		4
140103	60.220.170		20	16043620	68.200.210		19
140103	60.220.180		18	16044321	39.110.010		5
140175	90.118.020		4	16044321	68.200.130		21
140182	90.105.050		10	16102311	68.200.210		27
140182	90.105.140		18	16103621	68.200.210		24
14048211	35.569.020		12	16104121	33.300.050		9
14048211	35.599.030		19	16104121	60.220.150		27
14164470	35.560.010		13	16104121	88.033.001	05	10
14168971	68.200.290		9	16105011	68.200.210		11
14306621	60.220.090		21	161909	39.100.050		24
14359421	35.914.030		19	161909	55.433.030		15
14422321	60.220.070		13	1636004	35.914.030		15
144403	68.200.060		15	1636005	35.914.030		14
14441421	68.200.160		15	165109	90.108.010		34
14442021	35.914.010		3	1665749	35.568.020		8
14442021	68.200.160		14	1665749	35.599.010		14
14442221	60.220.020		22	1725021	35.568.010		11
14442621	60.220.090		22	177822	55.433.030		8
14496501	35.565.010		13	218921	68.200.310		9
14496501	60.220.110		6	237910	55.100.040		3
14496501	68.200.220		40	27291	68.200.020		10
14496501	68.200.280		17	27291	68.200.020		2

INDEX - INDICE - INDEX - ZAHLENVERZEICHNIS - INDICE - INDICE - INDHOLD - INHOUD

Number	Figure	Sequence	Ref.	Number	Figure	Sequence	Ref.
27310	68.200.040		1	322357	55.404.050		27
273672	39.110.010		17	322357	55.520.010		14
280251	68.200.060		26	322357	55.520.010		7
291186	55.640.010		10	322357	55.640.010		12
291186	55.640.020		9	322357	55.640.020		10
291186	90.116.010		22	322357	68.200.040		22
2928383	35.914.060		13	322357	88.055.070		14
29524	60.220.180		10	322358	35.204.010		9
2977215	55.404.020		4	322358	55.100.010		20
2977215	55.404.050		7	322358	55.100.030		18
29840	68.200.030		8	322358	55.404.030		4
29840	68.200.050		7	322358	55.404.040		9
300380	39.100.060		8	322358	55.404.050		31
300388	60.220.110		12	322358	55.433.030		12
300388	88.060.040	03	13	322358	55.520.010		9
300389	33.110.010		7	322358	55.640.010		13
300389	60.220.010		16	322358	55.640.020		13
300389	60.220.060		13	322358	60.220.010		25
300389	60.220.070		10	322358	60.220.110		9
300389	68.200.120		24	322358	60.220.150		16
300389	68.200.230		20	322358	68.200.020		18
300389	68.200.290		13	322358	68.200.050		14
300389	90.108.070		4	322358	68.200.210		25
300477	68.200.210		28	322358	88.055.010		5
300480	68.200.270		14	322358	88.055.020		5
300512	35.568.020		2	322358	88.055.050		9
300512	35.914.030		23	322358	88.055.070		11
300627	68.200.050		16	322358	88.060.040	03	10
300639	60.220.040		10	322358	88.090.010		9
300639	60.220.050		10	322358	90.105.120		9
300865	90.118.020		9	322358	90.105.140		16
300869	60.220.030		11	323866	60.220.170		9
300869	68.200.300		28	325103	60.220.150		6
300869	88.068.010		28	326082	33.300.020		16
308761	60.220.150		13	326082	33.300.030		13
308761	68.200.010		15	326082	33.300.040		16
308761	68.200.050		10	326082	33.300.050		11
308761	68.200.070		23	326082	33.300.070		14
308761	68.200.110		20	326082	88.033.001	02	12
308761	90.105.140		17	326082	88.033.001	03	14
321204	35.550.010		4	326082	88.033.001	04	17
321204	39.100.050		8	326082	88.033.001	05	12
321204	60.220.020		15	330327	33.300.020		5
322355	55.404.030		10	330327	33.300.090		12
322355	55.433.030		11	330327	88.033.001	02	5
322355	88.055.010		11	337563	39.100.030		14
322355	88.055.020		11	337563	39.100.040		14
322356	55.433.070		6	337563	39.100.060		16
322357	55.100.010		19	338263	60.220.150		14
322357	55.100.030		27	338413	71.460.020		2

INDEX - INDICE - INDEX - ZAHLENVERZEICHNIS - INDICE - INDICE - INDHOLD - INHOUD

Number	Figure	Sequence	Ref.	Number	Figure	Sequence	Ref.
34439	60.220.190		6	393392	68.200.070		21
350460	35.568.020		3	393392	68.200.110		14
350656	35.599.010		8	393392	68.200.130		19
353078	55.404.030		8	393392	68.200.160		19
353078	88.055.010		9	393392	68.200.220		42
353078	88.055.020		9	393392	88.090.010		13
360956	68.200.140		22	393392	90.105.010		8
364164	33.300.020		9	393392	90.105.120		13
364164	33.300.090		9	393392	90.108.060		8
370003	62.140.150		12	393392	90.108.070		9
370003	62.140.160		15	393393	55.404.050		16
370003	68.200.310		10	393393	55.404.050		24
370004	60.220.100		17	393393	68.200.070		25
370004	60.220.130		12	394674	88.068.020		6
370004	60.220.160		4	394818	35.560.010		12
370004	60.220.180		28	395087	60.220.150		9
370004	88.060.010		5	395448	44.520.120		3
370006	62.140.140		17	395528	60.220.030		14
370006	62.140.150		13	396718	55.100.030		21
370008	62.140.160		16	397977	35.550.010		5
370010	60.220.080		9	397977	35.599.010		15
370024	62.140.150		15	401223	35.599.040		8
370027	60.220.070		12	401502	90.118.010		4
372783	68.200.300		1	411809	55.404.010		11
372783	88.068.010		32	412066	39.110.020		7
374890	31.220.010		17	412066	68.200.280		28
374891	68.200.070		17	412066	68.200.300		25
374891	68.200.130		11	412066	88.068.010		25
378245	60.220.150		17	412087	39.100.030		16
378246	33.300.080		12	412087	39.100.040		16
37851	68.200.300		27	412123	60.220.110		7
37851	88.068.010		27	412123	88.060.040	03	8
380530	68.200.270		13	412126	33.300.080		13
384656	70.280.010		8	412126	55.404.010		8
384656	88.070.010		8	412126	90.118.020		6
385681	55.404.030		11	412141	60.220.020		27
385681	88.055.010		12	412141	68.200.220		38
385681	88.055.020		12	412141	68.200.240		11
385922	68.200.280		27	412141	68.200.280		21
385922	68.200.290		14	412141	68.200.300		23
386045	71.480.010		13	412141	88.068.010		23
386045	71.480.030		13	412141	90.105.040		14
388113	60.220.080		15	412141	90.105.080		30
393392	35.550.010		13	412141	90.105.090		30
393392	39.100.050		31	412141	90.105.110		12
393392	55.404.010		19	412141	90.105.150		24
393392	55.404.020		22	412141	90.116.010		19
393392	55.404.050		10	412151	35.565.010		16
393392	60.220.010		13	412151	88.060.040	01	16
393392	62.140.170		15	412151	90.105.130		13

INDEX - INDICE - INDEX - ZAHLENVERZEICHNIS - INDICE - INDICE - INDHOLD - INHOUD

Number	Figure	Sequence	Ref.	Number	Figure	Sequence	Ref.
412152	60.220.030		19	43127	90.105.130		12
412152	68.200.220		36	43127	90.108.060		4
412152	68.200.230		16	43127	90.118.010		5
412152	90.116.010		18	43128	35.569.020		10
412180	88.068.020		8	43128	35.599.030		18
412189	68.200.040		12	43128	39.110.020		9
412427	27.550.010		19	43128	68.200.210		21
412427	27.550.020		20	43128	68.200.220		17
412479	39.100.020		12	43128	71.460.010		3
412479	68.200.280		18	43128	71.460.070		2
412479	90.105.060		14	43128	90.105.060		13
412479	90.105.070		14	43128	90.105.070		13
412479	90.105.080		20	43128	90.105.150		20
412479	90.105.090		20	43129	55.404.040		12
412479	90.105.150		21	43129	88.055.050		12
412547	55.404.010		21	43133	68.200.220		16
412655	35.599.050		33	43138	35.914.050		13
418283	35.568.010		5	43138	68.200.140		13
420434	68.200.020		12	43138	68.200.250		18
43127	33.202.040		22	43138	68.200.280		22
43127	33.202.050		12	43139	31.220.010		10
43127	33.300.030		8	43139	33.202.040		20
43127	33.300.050		8	43139	33.300.040		3
43127	35.204.010		16	43139	33.300.080		10
43127	35.565.010		17	43139	35.599.050		34
43127	35.599.030		17	43139	55.905.020		14
43127	39.100.020		10	43139	68.200.140		14
43127	39.100.030		15	43139	88.033.001	04	4
43127	39.100.040		15	43139	88.055.070		25
43127	55.404.030		5	43139	90.105.110		8
43127	55.404.050		12	43139	90.105.120		14
43127	55.404.050		22	43139	90.105.130		19
43127	60.220.020		8	43140	33.110.010		10
43127	68.200.010		19	43140	33.110.020		5
43127	68.200.120		9	43140	39.100.050		20
43127	68.200.140		12	43140	60.220.020		26
43127	68.200.160		24	43140	60.220.200		9
43127	68.200.240		10	43140	60.220.210		6
43127	68.200.280		23	43140	68.200.110		8
43127	71.480.010		11	43140	68.200.130		8
43127	71.480.030		11	43140	68.200.220		14
43127	88.033.001	03	9	43140	68.200.220		32
43127	88.033.001	05	9	43140	68.200.290		17
43127	88.055.010		6	43140	88.060.020		9
43127	88.055.020		6	43140	88.060.030		6
43127	88.060.040	01	17	43140	90.105.040		9
43127	90.105.010		7	43140	90.105.050		13
43127	90.105.040		10	43140	90.105.080		21
43127	90.105.060		12	43140	90.105.090		21
43127	90.105.070		12	43140	90.105.110		9

INDEX - INDICE - INDEX - ZAHLENVERZEICHNIS - INDICE - INDICE - INDHOLD - INHOUD

Number	Figure	Sequence	Ref.	Number	Figure	Sequence	Ref.
43140	90.105.130		14	437013	68.200.050		15
43140	90.105.140		11	437013	68.200.110		15
43140	90.105.150		22	437013	68.200.120		19
43140	90.116.010		15	437013	68.200.130		15
43144	55.404.010		3	437013	68.200.140		15
43144	68.200.300		16	437013	68.200.150		8
43144	88.068.010		16	437013	68.200.160		25
43232	68.200.040		10	437013	68.200.220		18
43235	60.220.150		25	437013	68.200.230		18
43362	68.200.220		37	437013	68.200.250		21
43442	55.404.030		6	437013	68.200.270		15
43442	88.055.010		7	437013	71.460.010		6
43442	88.055.020		7	437013	71.460.070		4
43465	68.200.010		16	437013	71.480.010		14
43473	68.200.120		12	437013	71.480.020		2
43475	60.220.010		10	437013	71.480.030		14
43480	62.140.140		22	437013	71.480.040		2
435895	55.404.010		13	437013	88.055.030		7
435895	55.404.020		10	437013	88.055.040		8
435895	55.404.050		17	437013	88.055.050		14
437013	05.100.04	09	13	437013	88.060.040	03	18
437013	05.102.010		6	437013	90.105.010		9
437013	33.110.010		17	437013	90.105.030		7
437013	33.202.040		19	437013	90.105.040		12
437013	33.202.050		11	437013	90.105.050		15
437013	39.100.020		11	437013	90.105.060		16
437013	39.100.050		32	437013	90.105.070		16
437013	39.110.010		11	437013	90.105.080		26
437013	39.110.020		4	437013	90.105.090		26
437013	55.100.010		14	437013	90.105.130		17
437013	55.100.030		25	437013	90.105.150		26
437013	55.404.020		21	437013	90.108.060		9
437013	55.404.040		14	437013	90.118.010		7
437013	55.404.060		7	437424	88.090.010		5
437013	55.433.030		14	437424	90.105.120		5
437013	55.530.010		8	440434	68.200.290		8
437013	55.640.010		6	44085	27.550.040		19
437013	55.640.020		6	442203	60.220.090		16
437013	60.220.020		14	445394	55.100.030		16
437013	60.220.060		15	445394	55.100.040		5
437013	60.220.090		23	445394	55.404.010		24
437013	60.220.100		15	445394	55.422.020		6
437013	60.220.110		17	449973	90.108.010		18
437013	60.220.130		11	470017	55.404.020		24
437013	60.220.150		31	470017	55.404.050		5
437013	60.220.150		34	47361241	90.108.010		11
437013	60.220.170		17	47361285	90.108.010		23
437013	60.220.180		25	47361329	90.108.010		12
437013	68.200.010		25	47373275	55.433.010		1
437013	68.200.020		19	47381350	55.404.030		7

INDEX - INDICE - INDEX - ZAHLENVERZEICHNIS - INDICE - INDICE - INDHOLD - INHOUD

Number	Figure	Sequence	Ref.	Number	Figure	Sequence	Ref.
47381350	88.055.010		8	47445671	60.220.060		3
47381350	88.055.020		8	47445675	60.220.060		7
47385274	55.640.010		8	47445677	60.220.060		6
47385274	55.640.020		8	47445678	60.220.060		8
47398072	55.640.010		9	47445682	60.220.060		4
47400473	55.404.020		2	47445688	60.220.070		5
47400473	55.404.050		6	47445690	60.220.070		2
47406566	39.110.030		2	47445693	60.220.070		3
47425621	88.090.010		2	47445702	60.220.070		4
47425621	90.105.120		2	47445716	60.220.080		5
47431597	60.220.100		21	47445723	60.220.080		8
47431597	60.220.130		16	47445733	60.220.080		6
47432155	60.220.120		21	47445796	60.220.090		7
47436701	31.220.020		1	47445808	60.220.160		2
47436704	05.100.04	01	1	47445808	88.060.010		3
47436704	31.201.010		1	47445907	60.220.170		3
47440248	39.100.030		7	47445910	60.220.170		4
47440248	39.100.040		7	47445957	60.220.010		6
47440249	39.100.030		5	47445958	60.220.010		7
47440249	39.100.040		5	47445972	05.100.04	09	9
47440251	39.100.030		6	47445972	60.220.100		7
47440251	39.100.040		6	47445972	60.220.130		5
47440262	39.100.030		9	47445976	60.220.080		4
47440262	39.100.040		9	47447328	33.300.030		10
47440309	90.105.040		5	47447328	35.599.040		5
47440309	90.105.130		7	47447328	55.633.010		5
47440314	27.550.010		16	47447328	55.640.010		3
47440314	27.550.020		17	47447328	55.640.020		3
47440785	60.220.150		10	47447328	88.033.001	03	11
47440785	68.200.010		5	47447743	68.200.050		9
47440785	90.105.050		7	47448624	55.100.010		15
47440785	90.105.080		10	47448624	55.100.030		11
47440785	90.105.090		10	47450371	88.090.010		4
47440785	90.105.110		2	47450371	90.105.120		4
47440785	90.105.140		6	47450457	60.220.080		10
47440785	90.105.150		9	47450458	60.220.090		17
47440785	90.118.010		11	47450458	60.220.100		11
47441004	39.100.030		2	47450458	60.220.130		8
47441004	39.100.040		2	47450458	60.220.160		3
47441019	27.550.010		1	47450458	88.060.010		4
47445001	60.220.080		13	47450460	60.220.100		10
47445227	35.550.010		7	47450460	60.220.130		7
47445245	60.220.030		21	47450462	60.220.070		8
47445573	60.220.130		1	47450463	60.220.070		7
47445590	05.100.04	09	11	47450464	60.220.070		6
47445590	60.220.090		12	47450465	60.220.080		11
47445590	60.220.100		6	47450467	60.220.080		12
47445590	60.220.130		4	47451341	05.100.04	12	1
47445670	05.100.04	09	2	47451341	68.200.120		7
47445670	60.220.060		2	47451342	05.100.04	12	9

INDEX - INDICE - INDEX - ZAHLENVERZEICHNIS - INDICE - INDICE - INDHOLD - INHOUD

Number	Figure	Sequence	Ref.	Number	Figure	Sequence	Ref.
47451342	68.200.170		5	47452665	31.220.020		5
47451343	05.100.04	12	5	47452666	31.220.020		2
47451343	35.914.020		2	47452667	31.220.020		14
47451344	05.100.04	12	2	47452669	31.220.020		8
47451344	35.914.020		11	47452671	31.220.020		18
47451345	05.100.04	12	10	47452673	31.220.020		11
47451345	68.200.170		4	47452675	31.220.020		12
47451346	05.100.04	12	8	47452677	31.220.020		6
47451346	68.200.170		6	47454156	05.100.04	08	7
47451347	68.200.160		13	47454156	62.140.090		7
47452435	68.200.130		6	47454157	05.100.04	07	3
47452452	31.201.010		2	47454157	05.100.04	08	3
47452455	31.201.010		3	47454157	62.140.010		5
47452457	31.201.010		4	47454157	62.140.050		7
47452458	31.201.010		7	47454157	62.140.080		4
47452459	31.201.010		11	47454157	62.140.110		6
47452460	31.201.010		12	47454158	05.100.04	07	4
47452462	31.201.010		13	47454158	05.100.04	08	4
47452464	05.100.04	01	2	47454158	62.140.010		6
47452464	31.201.010		14	47454158	62.140.020		5
47452466	31.201.010		25	47454158	62.140.030		5
47452469	31.201.010		15	47454158	62.140.040		5
47452470	31.201.010		26	47454158	62.140.060		5
47452472	31.201.010		16	47454158	62.140.070		5
47452473	31.201.010		17	47454158	62.140.080		5
47452474	31.201.010		18	47454158	62.140.090		6
47452475	31.201.010		19	47454158	62.140.100		5
47452477	31.201.010		20	47454158	62.140.110		5
47452478	05.100.04	01	3	47454159	05.100.04	07	5
47452478	31.201.010		21	47454159	05.100.04	08	5
47452479	31.201.010		22	47454159	55.633.010		6
47452480	31.201.010		23	47454159	62.140.020		4
47452482	31.201.010		24	47454159	62.140.030		4
47452484	31.201.010		5	47454159	62.140.040		4
47452484	31.201.010		8	47454159	62.140.050		4
47452486	31.201.010		6	47454159	62.140.060		4
47452488	31.201.010		9	47454159	62.140.070		4
47452490	31.201.010		10	47454159	62.140.100		4
47452630	31.220.020		13	47454179	68.200.160		7
47452641	31.220.020		7	47454788	60.220.200		3
47452644	31.220.020		23	47454788	60.220.210		2
47452645	31.220.020		17	47454788	88.060.020		3
47452647	31.220.020		15	47454788	88.060.030		2
47452649	31.220.020		10	47454791	60.220.200		2
47452651	31.220.020		4	47454791	60.220.210		1
47452652	31.220.020		3	47454791	88.060.020		2
47452661	31.220.020		20	47454791	88.060.030		8
47452662	31.220.020		16	47454809	44.520.120		1
47452663	31.220.020		19	47455884	35.914.010		2
47452664	31.220.020		9	47455884	68.200.160		4

INDEX - INDICE - INDEX - ZAHLENVERZEICHNIS - INDICE - INDICE - INDHOLD - INHOUD

Number	Figure	Sequence	Ref.	Number	Figure	Sequence	Ref.
47456281	68.200.150		2	47458933	05.100.04	03	5
47456285	68.200.120		5	47458933	05.100.04	04	5
47456289	68.200.160		10	47458933	62.140.130		5
47456291	68.200.160		9	47458933	62.140.140		6
47456292	68.200.150		13	47459459	68.200.320		4
47456322	68.200.130		4	47459459	88.068.020		4
47456637	88.055.040		1	47459640	62.140.010		7
47456958	68.200.150		4	47459640	62.140.020		6
47456959	68.200.160		12	47459640	62.140.030		6
47456960	68.200.170		2	47459640	62.140.040		6
47456963	68.200.170		3	47459640	62.140.060		6
47456964	68.200.110		7	47459640	62.140.070		6
47456964	68.200.120		8	47459640	62.140.080		6
47456964	68.200.130		7	47459640	62.140.090		8
47456964	68.200.150		5	47459640	62.140.100		6
47456965	68.200.160		11	47459640	62.140.110		7
47456967	68.200.140		10	47460594	68.200.120		3
47456973	05.100.04	04	1	47460595	68.200.120		23
47456973	62.140.140		5	47461070	39.100.050		11
47456974	31.220.010		4	47461071	39.100.050		12
47456978	31.220.010		5	47461078	05.100.04	12	3
47456980	68.200.120		11	47461078	35.914.020		3
47457058	05.100.04	07	1	47461080	05.100.04	12	4
47457058	05.100.04	08	1	47461080	05.100.04	12	7
47457058	62.140.010		4	47461080	35.914.020		4
47457058	62.140.080		8	47461080	68.200.170		8
47457058	62.140.110		3	47461082	35.568.020		1
47457730	05.100.04	07	2	47461082	35.914.010		1
47457730	05.100.04	08	2	47461110	39.100.050		15
47457730	62.140.010		3	47461276	35.550.010		9
47457730	62.140.020		3	47461276	39.100.050		10
47457730	62.140.030		3	47461285	39.100.050		9
47457730	62.140.040		3	47461623	62.140.040		7
47457730	62.140.050		3	47461623	62.140.050		5
47457730	62.140.060		3	47461635	62.140.140		1
47457730	62.140.070		3	47461651	62.140.160		1
47457730	62.140.080		3	47461664	62.140.130		3
47457730	62.140.090		5	47461671	62.140.160		2
47457730	62.140.100		3	47461674	62.140.150		3
47457730	62.140.110		4	47461675	62.140.130		2
47457731	05.100.04	08	6	47461675	62.140.140		4
47457731	62.140.090		4	47461679	62.140.130		1
47458928	05.100.04	05	2	47461679	62.140.140		2
47458928	05.100.04	06	1	47461679	62.140.160		3
47458928	62.140.150		4	47461683	62.140.150		2
47458928	62.140.160		4	47461790	35.914.020		5
47458931	05.100.04	06	2	47461795	68.200.160		3
47458931	62.140.160		5	47461820	68.200.150		3
47458932	05.100.04	05	1	47462196	35.550.010		7
47458932	62.140.150		5	47462321	39.110.030		3

INDEX - INDICE - INDEX - ZAHLENVERZEICHNIS - INDICE - INDICE - INDHOLD - INHOUD

Number	Figure	Sequence	Ref.	Number	Figure	Sequence	Ref.
47463518	05.100.04	10	1	47473589	62.140.130		11
47463518	39.100.050		14	47473938	31.220.010		18
47463520	05.100.04	10	2	47474027	70.280.010		1
47463520	39.100.050		13	47474027	88.070.010		14
47463522	62.140.130		6	47474030	70.280.010		2
47463522	62.140.140		7	47474030	88.070.010		2
47463522	62.140.160		7	47474031	70.280.010		3
47463562	39.100.050		17	47474031	88.070.010		3
47463562	68.200.150		14	47474156	68.200.110		2
47463637	05.100.04	12	6	47474935	68.200.120		4
47463637	68.200.170		7	47474965	68.200.140		3
47464002	35.914.020		14	47475160	90.105.030		3
47464002	68.200.140		21	47475410	68.200.140		4
47464002	68.200.170		11	47475419	68.200.140		5
47467202	39.100.050		3	47475424	68.200.140		6
47468350	39.110.030		1	47475515	68.200.150		1
47468356	35.550.010		10	47475538	68.200.140		8
47468356	39.100.050		18	47475551	68.200.160		5
47468356	60.220.020		6	47475888	55.433.010		2
47468357	62.140.130		9	47476767	68.200.320		1
47468357	62.140.140		12	47476767	88.068.020		11
47468357	62.140.160		10	47476769	68.200.320		2
47468357	68.200.050		18	47476769	88.068.020		2
47468364	90.118.010		2	47477687	39.100.050		5
47469108	39.100.050		16	47477688	39.100.050		6
47469672	39.110.030		4	47477689	39.100.050		4
47470500	39.100.050		1	47478716	62.140.010		8
47470743	62.140.130		8	47478716	62.140.020		7
47470743	62.140.140		11	47478716	62.140.030		7
47470743	62.140.150		8	47478716	62.140.040		8
47470743	62.140.160		9	47478716	62.140.050		6
47470744	62.140.140		10	47478716	62.140.060		7
47471077	62.140.140		8	47478716	62.140.070		7
47471079	62.140.140		28	47478716	62.140.080		7
47471163	39.110.010		4	47478716	62.140.090		9
47471232	62.140.170		9	47478716	62.140.100		7
47472663	62.140.140		14	47478716	62.140.110		8
47472663	62.140.150		9	47479137	60.220.110		5
47472663	62.140.160		11	47479137	70.280.010		12
47472663	68.200.250		15	47479137	88.060.040	03	6
47472667	62.140.140		15	47479137	88.070.010		12
47472667	62.140.150		11	47479138	90.105.010		1
47472667	62.140.160		13	47480157	35.565.010		6
47472669	62.140.160		14	47480157	88.060.040	01	7
47472670	62.140.150		10	47480313	60.220.090		8
47472670	62.140.160		12	47480316	60.220.090		9
47472782	55.633.010		7	47480395	05.100.04	09	8
47473196	31.220.010		11	47480395	60.220.130		2
47473328	31.220.010		15	47480400	55.404.020		11
47473342	31.220.010		13	47480406	60.220.070		1

INDEX - INDICE - INDEX - ZAHLENVERZEICHNIS - INDICE - INDICE - INDHOLD - INHOUD

Number	Figure	Sequence	Ref.	Number	Figure	Sequence	Ref.
47480487	60.220.110		3	47493127	27.550.010		8
47480487	88.060.040	03	4	47493127	27.550.020		8
47480493	05.100.04	09	7	47493127	27.550.040		8
47480493	60.220.090		11	47493129	27.550.020		7
47480493	60.220.100		8	47493129	27.550.030		7
47480493	60.220.130		6	47493130	27.550.020		6
47481457	60.220.080		14	47493130	27.550.030		6
47481457	88.060.040	02	4	47493132	27.550.010		5
47481458	60.220.090		1	47493132	27.550.020		5
47481459	60.220.130		3	47493132	27.550.030		5
47481460	05.100.04	09	3	47493134	27.550.020		4
47481460	60.220.080		1	47493135	27.550.020		3
47481460	88.060.040	02	2	47493135	27.550.030		3
47481461	60.220.080		2	47493137	27.550.020		10
47481461	88.060.040	02	3	47493137	27.550.030		10
47481462	05.100.04	09	6	47493138	27.550.020		11
47481462	60.220.090		10	47493138	27.550.030		11
47481551	60.220.090		6	47493140	27.550.020		12
47481552	60.220.150		7	47493140	27.550.030		12
47481660	35.565.010		9	47493142	27.550.020		13
47481660	88.060.040	01	9	47493142	27.550.030		13
47481761	05.100.04	09	5	47493142	27.550.040		13
47481761	60.220.160		1	47493143	33.202.010		2
47481761	88.060.010		2	47493144	33.202.010		3
47484015	70.280.010		9	47493144	33.202.030		3
47484015	88.070.010		9	47493146	33.202.010		4
47484283	60.220.040		11	47493147	33.202.010		5
47484283	68.200.260		9	47493147	33.202.030		5
47484288	60.220.050		11	47493148	33.202.010		6
47485751	35.550.010		8	47493149	33.202.010		7
47486996	62.140.120		2	47493151	33.202.010		8
47486996	88.062.010		3	47493151	33.202.030		8
47487375	05.102.010		2	47493152	33.202.010		9
47487623	39.110.070		2	47493152	33.202.030		9
47487626	39.110.070		3	47493153	33.202.010		10
47489005	55.633.010		8	47493153	33.202.030		10
47489346	33.202.020		3	47493154	33.202.010		11
47489346	88.033.020	02	4	47493155	33.202.010		12
47490068	35.599.030		12	47493155	33.202.030		12
47490068	35.914.030		27	47493155	33.300.010		6
47490084	33.202.020		5	47493156	33.202.010		13
47490084	35.550.010		6	47493157	33.202.010		14
47490084	35.599.010		16	47493158	33.202.010		15
47490084	88.033.020	02	6	47493158	33.202.030		15
47490086	33.202.050		8	47493159	33.202.010		16
47490086	33.202.061		11	47493159	33.202.030		16
47490086	35.599.030		21	47493159	33.300.010		8
47490126	35.599.030		22	47493159	33.300.060		8
47490481	60.220.110		4	47493813	33.202.060		7
47490481	88.060.040	03	5	47493813	33.202.061		7

INDEX - INDICE - INDEX - ZAHLENVERZEICHNIS - INDICE - INDICE - INDHOLD - INHOUD

Number	Figure	Sequence	Ref.	Number	Figure	Sequence	Ref.
47493814	33.202.060		8	47507971	33.202.061		12
47493814	33.202.061		8	47507971	33.300.020		14
47493816	27.550.020		1	47507971	33.300.040		17
47493816	33.202.010		1	47507971	35.550.020		11
47493816	88.033.020	01	2	47507971	88.033.001	02	10
47494643	68.200.010		8	47507971	88.033.001	04	18
47494643	68.200.110		18	47507973	33.202.061		13
47494648	35.565.010		1	47507973	35.550.030		12
47494648	88.060.040	01	2	47507974	35.550.020		12
47495214	31.220.010		2	47507975	35.599.030		24
47495215	31.220.010		3	47508002	35.599.030		14
47495296	44.520.010		2	47508037	33.202.020		4
47495301	44.520.010		1	47508037	88.033.020	02	5
47495304	44.520.020		1	47508439	35.550.010		2
47495306	44.520.020		2	47511493	33.202.040		7
47496805	33.300.050		10	47512160	33.202.020		6
47496805	88.033.001	05	11	47512160	88.033.020	02	7
47497769	33.202.050		6	47512161	33.202.020		7
47497798	33.202.020		2	47512161	88.033.020	02	8
47497798	33.202.060		11	47512755	35.599.030		11
47497798	88.033.020	02	3	47517892	90.108.010		20
47497812	60.220.030		22	47518838	55.404.060		2
47498129	35.565.010		11	47518838	88.055.030		2
47498129	88.060.040	01	11	47521113	68.200.110		5
47498133	35.550.020		4	47521133	68.200.110		4
47498137	35.565.010		8	47522264	68.200.160		8
47498137	88.060.040	01	8	47524529	68.200.160		6
47498141	33.202.020		1	47529126	90.108.020		2
47498141	88.033.020	02	2	47529253	60.220.180		14
47498145	33.202.060		6	47530082	39.110.020		2
47498893	33.202.050		4	47530741	33.202.060		5
47499064	33.202.061		6	47533754	55.520.010		1
47499783	33.202.050		7	47533754	88.055.070		4
47499830	35.565.010		10	47538474	27.550.020		1
47499830	88.060.040	01	10	47538474	33.202.010		1
47499878	35.565.010		22	47538474	88.033.020	01	2
47499878	88.060.040	01	22	47544885	39.110.040		1
47500291	68.200.010		27	47544886	39.110.040		1
47501084	44.520.130		1	47544887	39.110.040		1
47501091	55.530.010		10	47549562	27.550.010		3
47501091	88.055.040		10	47549566	27.550.010		4
47501250	68.200.010		7	47549568	27.550.010		6
47501250	68.200.110		17	47549569	27.550.010		7
47501578	60.220.110		10	47549573	27.550.010		10
47501578	88.060.040	03	11	47549578	27.550.010		11
47504715	33.110.020		3	47549580	27.550.010		13
47506825	39.110.050		1	47551168	33.202.060		3
47506828	39.110.060		1	47552618	33.202.060		4
47507317	68.200.010		10	47553404	35.550.020		8
47507317	68.200.110		19	47553404	35.560.020		4

INDEX - INDICE - INDEX - ZAHLENVERZEICHNIS - INDICE - INDICE - INDHOLD - INHOUD

Number	Figure	Sequence	Ref.	Number	Figure	Sequence	Ref.
47554015	35.560.020		3	47653226	27.550.010		9
47557137	55.404.020		8	47653873	68.200.250		7
47568170	68.200.320		3	47653873	68.200.310		4
47568170	88.068.020		3	47655442	68.200.020		8
47575424	35.565.010		7	47655496	68.200.020		9
47579345	39.110.010		3	47656088	68.200.040		2
47581985	39.110.010		6	47658056	68.200.230		3
47582001	39.110.010		12	47658058	68.200.230		4
47589249	35.550.010		1	47658059	68.200.230		5
47590327	35.550.020		7	47658060	68.200.230		6
47590401	39.110.070		1	47658102	68.200.280		1
47604670	55.640.010		7	47658112	68.200.280		2
47604670	55.640.020		7	47658117	68.200.280		3
47613496	55.404.040		7	47658124	68.200.280		4
47613496	88.055.050		7	47658125	68.200.280		15
47613497	55.404.040		8	47658127	68.200.280		14
47613497	88.055.050		8	47658134	68.200.280		9
47614406	68.200.140		7	47658136	68.200.280		10
47622875	39.100.020		7	47658140	68.200.280		8
47622880	39.100.020		6	47658145	68.200.280		7
47625141	62.140.150		7	47658157	68.200.220		23
47636381	68.200.310		7	47658167	68.200.220		24
47636575	60.220.010		1	47658168	68.200.220		27
47637231	27.550.020		15	47658190	68.200.230		2
47637231	27.550.030		17	47658194	68.200.220		30
47637235	27.550.020		16	47658196	68.200.230		8
47637235	27.550.030		16	47658200	68.200.280		13
47637256	33.202.010		19	47658262	68.200.220		29
47637258	33.202.010		18	47658262	68.200.220		6
47641351	60.220.030		1	47658694	68.200.230		1
47641393	27.550.020		9	47658698	68.200.230		9
47641393	27.550.030		9	47658702	68.200.250		1
47641394	27.550.020		14	47658704	68.200.260		3
47641394	27.550.030		14	47658706	68.200.260		1
47642252	60.220.030		3	47658707	68.200.270		1
47642278	60.220.010		3	47658711	68.200.240		1
47642316	60.220.020		1	47658714	68.200.240		2
47642342	60.220.020		4	47658715	68.200.240		5
47650124	68.200.230		10	47658720	90.116.010		1
47650292	68.200.210		3	47658731	90.116.010		1
47651399	68.200.210		2	47658744	68.200.210		1
47651831	68.200.030		7	47658751	68.200.220		1
47651831	68.200.040		8	47658758	68.200.220		2
47651831	68.200.050		8	47660645	68.200.280		6
47651914	68.200.250		5	47662622	68.200.280		11
47651914	68.200.310		5	47662623	68.200.280		12
47652025	60.220.140		8	47663023	68.200.060		3
47652399	60.220.030		9	47663564	68.200.040		5
47653224	27.550.010		14	47664287	44.520.030		3
47653225	27.550.010		15	47664290	44.520.030		2

INDEX - INDICE - INDEX - ZAHLENVERZEICHNIS - INDICE - INDICE - INDHOLD - INHOUD

Number	Figure	Sequence	Ref.	Number	Figure	Sequence	Ref.
47664291	44.520.030		1	47678949	60.220.150		3
47664322	68.200.220		26	47678950	60.220.150		4
47665466	68.200.060		11	47680589	60.220.170		14
47665489	68.200.030		5	47680589	60.220.180		12
47665489	68.200.060		14	47680951	68.200.060		27
47665507	68.200.060		1	47681459	60.220.140		2
47666099	27.550.040		15	47681471	33.300.030		5
47666593	68.200.210		4	47681471	33.300.040		8
47666599	05.100.04	13	2	47681471	88.033.001	03	6
47666599	68.200.210		7	47681471	88.033.001	04	9
47666602	68.200.230		11	47681484	33.300.030		4
47666752	68.200.240		6	47681484	33.300.040		7
47666752	68.200.250		9	47681484	88.033.001	03	5
47666784	68.200.260		5	47681484	88.033.001	04	8
47666788	68.200.260		4	47681487	33.300.030		11
47666792	35.914.040		4	47681487	33.300.070		2
47666803	05.100.04	11	1	47681487	88.033.001	03	12
47666803	68.200.270		4	47681488	33.300.030		6
47666870	68.200.050		5	47681488	88.033.001	03	7
47666922	27.550.030		1	47681493	33.300.050		1
47666922	33.300.010		1	47681493	88.033.001	05	2
47666922	88.033.001	01	2	47681495	60.220.140		3
47666950	33.300.090		3	47681709	33.300.010		2
47666953	33.300.090		4	47681712	33.300.010		3
47666969	27.550.030		1	47681716	33.300.010		4
47666969	33.300.010		1	47681718	33.300.010		5
47666969	88.033.001	01	2	47681722	33.300.010		7
47666972	33.300.020		2	47681758	27.550.030		4
47666972	88.033.001	02	3	47681768	27.550.030		8
47667239	35.914.040		1	47681769	27.550.030		15
47667638	33.300.090		7	47681840	55.433.030		5
47668081	27.550.040		17	47682227	60.220.010		5
47670574	33.300.020		1	47682234	60.220.010		4
47670574	88.033.001	02	2	47682490	55.433.010		3
47671284	60.220.180		1	47682514	35.914.060		3
47671293	60.220.180		1	47682515	35.550.030		7
47672771	68.200.020		4	47682515	35.599.010		6
47673696	27.550.040		15	47682515	35.914.040		15
47674476	39.100.010		1	47682517	35.599.010		2
47674517	39.100.020		1	47682517	35.599.040		11
47675623	88.055.050		1	47683381	68.200.040		7
47675654	88.060.040	01	1	47683534	60.220.040		1
47675654	88.060.040	02	1	47683592	60.220.050		1
47675654	88.060.040	03	1	47684670	60.220.040		2
47675673	88.055.020		1	47684670	60.220.050		2
47677102	68.200.020		7	47685984	05.100.04	09	14
47677196	68.200.020		11	47685984	60.220.100		1
47678059	60.220.150		11	47686042	60.220.050		3
47678927	60.220.140		1	47686048	60.220.040		3
47678947	60.220.150		2	47686114	05.100.04	09	10

INDEX - INDICE - INDEX - ZAHLENVERZEICHNIS - INDICE - INDICE - INDHOLD - INHOUD

Number	Figure	Sequence	Ref.	Number	Figure	Sequence	Ref.
47686114	60.220.100		20	47698725	35.599.010		12
47686114	60.220.130		15	47698726	35.599.010		9
47686883	60.220.080		3	47698727	35.599.010		10
47686898	60.220.080		7	47698730	35.568.020		7
47687599	39.100.020		9	47698745	35.599.030		25
47687655	39.100.020		8	47699619	35.914.030		1
47688331	60.220.170		1	47699639	68.200.010		1
47689639	55.433.030		4	47699670	35.599.040		3
47689898	55.404.010		10	47699672	35.914.030		28
47689903	60.220.170		2	47699673	35.914.030		30
47689921	60.220.170		2	47699674	35.914.040		9
47691011	60.220.180		4	47699675	35.914.040		10
47691234	05.100.03	01	10	47699676	35.914.040		11
47691234	35.599.030		2	47699677	35.914.050		7
47691239	35.914.060		1	47699678	35.914.050		8
47691311	68.200.030		15	47699679	35.914.050		9
47691547	90.105.020		1	47699680	35.914.050		10
47691640	60.220.100		3	47699681	35.914.060		8
47691680	60.220.100		5	47699682	35.914.060		9
47691704	35.560.010		9	47699683	35.914.060		10
47692139	60.220.100		2	47699684	35.914.060		11
47692156	90.105.020		1	47699835	68.200.250		8
47692580	33.202.050		5	47699836	68.200.250		6
47692580	35.914.060		4	47699837	68.200.270		6
47693001	35.560.010		8	47699841	68.200.260		2
47693800	33.110.020		17	47699863	68.200.220		28
47693800	33.300.020		6	47699870	35.914.050		12
47693800	33.300.090		11	47700161	35.204.010		12
47693800	88.033.001	02	6	47700754	90.108.010		30
47694326	68.200.030		6	47701130	68.200.250		10
47694326	68.200.050		6	47701131	68.200.250		11
47696742	68.200.050		1	47701135	68.200.250		2
47696822	68.200.030		3	47701136	68.200.250		12
47696884	68.200.030		1	47702482	90.108.010		36
47696929	68.200.010		2	47703949	55.640.010		1
47696937	68.200.010		3	47703949	55.640.020		1
47697001	55.433.020		2	47703990	55.640.010		2
47697714	35.560.010		10	47703990	55.640.020		2
47697733	35.560.010		11	47703997	55.100.010		11
47697885	90.105.010		2	47703997	55.100.030		22
47698517	68.200.250		3	47706124	35.550.030		10
47698638	35.550.030		11	47706418	68.200.020		3
47698639	35.550.030		6	47706654	55.404.010		12
47698692	35.599.030		8	47706796	68.200.210		22
47698704	35.599.030		7	47708056	55.100.030		1
47698711	35.599.030		5	47709227	68.200.040		19
47698713	35.599.030		6	47711265	68.200.290		5
47698714	35.599.030		1	47711267	68.200.290		6
47698716	35.568.010		9	47711270	68.200.290		1
47698722	35.599.010		11	47711273	68.200.290		2

INDEX - INDICE - INDEX - ZAHLENVERZEICHNIS - INDICE - INDICE - INDHOLD - INHOUD

Number	Figure	Sequence	Ref.	Number	Figure	Sequence	Ref.
47711927	35.599.040		4	47737892	68.200.270		3
47711979	35.569.020		9	47737894	05.100.04	11	3
47711979	35.599.030		9	47737894	68.200.270		2
47712045	90.105.110		1	47738077	55.433.030		6
47712279	55.100.040		1	47739502	68.200.050		4
47712280	55.433.070		1	47740217	68.200.010		4
47712281	55.433.070		2	47740856	35.568.010		3
47714305	88.068.010		2	47740857	35.560.010		17
47714375	68.200.310		1	47740857	35.569.020		1
47716011	39.100.060		3	47740863	35.560.010		3
47716013	39.100.060		4	47740865	35.560.010		4
47716074	60.220.030		4	47740866	35.569.020		2
47716076	60.220.030		5	47740868	35.569.020		3
47716092	39.110.010		2	47740870	35.569.020		4
47716099	55.404.010		1	47740872	35.569.020		5
47716869	35.550.020		6	47740875	35.560.020		1
47717500	55.404.050		8	47740877	35.599.010		17
47719754	60.220.030		10	47740878	35.599.010		18
47719769	60.220.030		8	47740880	35.599.010		19
47719774	27.550.040		16	47740882	35.599.010		20
47720650	68.200.290		1	47741259	62.140.020		1
47720652	68.200.290		7	47741259	62.140.030		1
47722334	55.404.050		1	47741259	62.140.040		1
47723187	60.220.020		23	47741259	62.140.060		1
47723189	60.220.020		17	47741259	62.140.070		1
47723191	60.220.020		18	47741259	62.140.100		1
47723195	60.220.020		19	47742045	62.140.010		2
47723197	60.220.020		20	47742045	62.140.020		2
47723198	60.220.020		24	47742045	62.140.030		2
47723465	05.100.04	09	1	47742045	62.140.040		2
47723465	60.220.030		6	47742045	62.140.050		2
47723468	60.220.030		7	47742045	62.140.060		2
47725713	35.914.040		3	47742045	62.140.070		2
47726220	68.200.280		5	47742045	62.140.080		2
47727006	35.568.010		1	47742045	62.140.090		3
47730264	55.404.040		5	47742045	62.140.100		2
47730264	88.055.050		5	47742045	62.140.110		2
47731493	68.200.070		6	47743412	68.200.310		2
47731495	68.200.070		7	47744226	60.220.180		3
47732300	55.100.010		1	47744227	60.220.180		3
47732301	55.404.020		1	47747997	68.200.040		20
47732971	35.568.010		2	47750714	68.200.160		1
47732973	35.560.010		2	47750717	68.200.160		2
47732978	68.200.020		5	47751055	68.200.040		18
47733254	68.200.210		5	47752681	55.905.020		1
47733255	68.200.210		6	47752681	88.055.070		2
47735228	68.200.240		4	47752682	68.200.210		10
47735944	05.100.04	13	3	47754590	55.905.020		6
47735944	68.200.210		8	47754590	88.055.070		17
47737892	05.100.04	11	4	47762312	88.068.010		1

INDEX - INDICE - INDEX - ZAHLENVERZEICHNIS - INDICE - INDICE - INDHOLD - INHOUD

Number	Figure	Sequence	Ref.	Number	Figure	Sequence	Ref.
47768657	39.110.010		1	47818779	62.140.080		1
47768662	90.118.010		1	47818781	62.140.050		1
47772299	33.110.020		2	47818781	62.140.110		1
47772303	33.110.020		4	47818783	62.140.090		1
47772850	35.560.010		1	47819083	62.140.090		2
47773060	33.202.030		1	47819292	35.569.010		1
47773667	27.550.040		1	47820569	27.550.040		1
47773715	27.550.040		1	47820572	27.550.040		1
47774849	90.116.010		3	47820574	33.300.060		1
47774949	90.116.010		2	47823097	90.105.090		1
47776229	90.116.010		2	47823631	55.433.070		5
47777361	90.116.010		4	47823757	90.105.090		2
47777948	90.116.010		5	47823796	90.105.080		11
47779183	90.116.010		5	47823796	90.105.090		11
47787216	68.200.040		3	47824449	90.105.030		1
47787711	33.110.020		1	47824465	90.105.070		1
47788649	68.200.240		3	47824472	90.105.070		3
47796785	68.200.070		22	47824474	90.105.060		1
47799518	71.480.010		3	47824482	90.105.080		5
47799518	71.480.020		11	47824482	90.105.090		5
47799518	71.480.030		3	47824482	90.105.150		6
47799518	71.480.040		11	47824483	90.105.060		3
47802423	33.202.030		2	47824606	90.105.040		1
47802424	33.202.030		4	47824615	90.105.090		4
47802425	33.202.030		6	47824619	90.105.080		4
47802426	33.202.030		7	47824622	90.105.090		3
47802427	33.202.030		11	47824626	90.105.080		3
47802428	33.202.030		13	47824628	90.105.050		8
47802429	33.202.030		14	47824628	90.105.140		7
47802430	27.550.040		7	47824663	90.105.050		1
47802431	27.550.040		6	47824747	90.105.080		2
47802432	27.550.040		5	47824777	90.105.080		1
47802433	27.550.040		4	47824928	90.105.080		7
47802434	27.550.040		3	47824928	90.105.090		7
47802435	27.550.040		9	47825507	90.105.050		3
47802436	27.550.040		10	47825508	90.105.050		4
47802437	27.550.040		11	47825520	90.105.040		2
47802438	27.550.040		12	47826002	90.105.150		1
47802439	27.550.040		2	47827003	55.404.020		5
47808323	62.140.130		7	47827005	55.404.020		6
47808323	62.140.140		9	47827148	90.105.030		2
47808323	62.140.160		8	47829310	90.105.080		8
47814071	60.220.150		23	47829310	90.105.090		8
47814085	60.220.150		24	47830024	60.220.150		1
47814499	39.110.010		13	47830985	90.105.150		1
47815111	68.200.120		2	47834430	90.105.100		1
47816818	68.200.010		6	47834431	90.105.100		1
47816885	68.200.010		9	47834735	35.914.050		1
47817965	35.914.030		11	47835700	39.100.030		4
47818779	62.140.010		1	47835700	39.100.040		4

INDEX - INDICE - INDEX - ZAHLENVERZEICHNIS - INDICE - INDICE - INDHOLD - INHOUD

Number	Figure	Sequence	Ref.	Number	Figure	Sequence	Ref.
47836840	90.105.150		2	47855602	68.200.210		18
47836842	90.105.150		2	47855709	60.220.090		5
47837815	90.105.150		4	47855712	05.100.04	09	4
47837817	90.105.150		3	47855712	60.220.090		4
47837823	90.105.150		10	47855715	60.220.090		3
47837829	90.105.150		4	47855720	90.108.040		2
47837836	90.105.150		3	47855949	68.200.110		6
47837845	90.105.150		5	47856477	68.200.110		1
47837856	90.105.150		5	47856839	55.633.010		9
47838132	35.914.050		4	47856875	68.200.140		1
47838588	90.105.160		1	47856890	55.633.010		2
47838591	90.105.160		1	47857181	60.220.010		23
47838596	39.100.030		1	47857401	35.568.010		7
47838828	62.140.140		3	47857975	60.220.010		2
47839506	62.140.140		16	47858165	60.220.010		22
47839509	90.105.130		1	47858274	39.100.020		5
47839518	90.105.130		2	47858913	35.568.010		8
47839519	90.105.130		2	47858914	35.568.010		9
47839520	90.105.140		1	47862616	68.200.140		9
47839521	62.140.140		13	47862819	39.100.050		2
47839940	90.105.130		4	47862824	39.100.050		2
47839941	90.105.130		3	47863348	33.300.040		14
47839964	90.105.140		3	47863348	33.300.080		15
47839966	90.105.140		5	47863348	88.033.001	04	15
47841505	39.100.040		1	47863358	33.300.030		7
47842904	71.460.010		2	47863358	88.033.001	03	8
47842908	60.220.060		5	47863373	33.300.040		1
47842911	60.220.060		9	47863373	88.033.001	04	2
47843651	35.914.030		20	47865781	55.404.030		1
47843829	60.220.020		3	47865781	88.055.020		2
47844273	60.220.150		8	47865783	55.404.030		1
47844660	35.599.020		1	47865783	88.055.020		2
47844661	35.599.050		1	47865785	55.404.030		3
47844663	35.550.030		1	47865785	88.055.010		4
47844664	35.204.010		1	47865785	88.055.020		4
47848832	55.100.040		9	47868261	71.460.030		11
47851217	90.108.020		1	47868265	71.460.050		14
47851218	90.108.020		1	47868265	71.460.060		13
47851332	90.108.040		1	47868266	71.460.050		12
47851337	90.108.040		1	47868266	71.460.060		11
47851349	90.108.040		2	47868267	71.460.050		13
47852107	68.200.220		3	47868267	71.460.060		12
47852111	68.200.220		4	47868269	71.460.020		13
47852118	68.200.220		9	47868269	71.480.020		14
47852129	35.599.050		32	47868269	71.480.040		14
47852141	68.200.220		5	47868279	71.480.010		1
47852178	68.200.220		41	47868279	71.480.030		1
47854438	35.914.060		5	47868281	71.480.010		6
47855227	68.200.140		2	47868281	71.480.030		6
47855470	68.200.130		5	47868282	71.480.010		19

INDEX - INDICE - INDEX - ZAHLENVERZEICHNIS - INDICE - INDICE - INDHOLD - INHOUD

Number	Figure	Sequence	Ref.	Number	Figure	Sequence	Ref.
47868282	71.480.030		19	47868577	35.599.050		5
47868283	71.480.010		9	47868577	35.914.030		10
47868283	71.480.030		9	47868579	35.599.050		2
47868285	71.480.010		2	47868581	35.599.020		31
47868285	71.480.020		15	47868583	35.599.020		30
47868285	71.480.020		16	47868584	35.599.020		29
47868285	71.480.020		17	47868588	35.204.010		6
47868285	71.480.020		18	47868588	35.599.020		28
47868285	71.480.020		19	47868592	35.599.020		27
47868285	71.480.030		2	47868596	35.599.020		26
47868285	71.480.040		15	47868601	35.599.020		25
47868285	71.480.040		16	47868606	71.460.030		9
47868285	71.480.040		17	47868608	71.460.050		1
47868285	71.480.040		18	47868609	71.460.030		6
47868285	71.480.040		19	47868609	71.460.040		6
47868286	71.480.010		8	47868609	71.460.050		7
47868286	71.480.030		8	47868609	71.460.060		6
47868288	71.480.010		7	47868610	71.460.030		5
47868288	71.480.030		7	47868610	71.460.040		5
47868300	68.200.040		17	47868610	71.460.050		6
47868392	35.914.030		4	47868610	71.460.060		5
47868393	35.914.030		6	47868611	71.460.020		6
47868396	35.914.030		5	47868611	71.460.030		12
47868525	35.550.030		5	47868611	71.460.050		3
47868526	35.550.030		3	47868611	71.460.060		14
47868530	35.599.020		18	47868612	71.460.030		4
47868530	35.599.050		20	47868612	71.460.040		4
47868532	35.204.010		4	47868612	71.460.050		4
47868532	35.550.030		4	47868612	71.460.060		4
47868532	35.599.020		16	47868613	71.460.030		3
47868532	35.599.050		18	47868613	71.460.040		3
47868534	35.550.030		2	47868613	71.460.050		5
47868534	35.599.020		3	47868613	71.460.060		3
47868534	35.599.050		4	47868614	71.460.020		5
47868553	35.599.050		28	47868614	71.460.030		2
47868554	35.599.050		27	47868614	71.460.040		2
47868555	35.599.050		26	47868614	71.460.050		2
47868557	35.599.050		22	47868614	71.460.060		2
47868561	35.599.050		16	47868615	71.460.060		1
47868562	35.599.050		15	47868616	35.204.010		5
47868563	35.599.050		14	47868616	35.599.020		24
47868565	35.599.050		13	47868618	71.460.030		1
47868566	35.599.050		12	47868618	71.460.040		1
47868567	35.599.050		8	47868619	35.599.020		23
47868568	35.599.050		11	47868622	35.599.020		22
47868570	35.599.020		7	47868628	71.460.020		12
47868572	35.599.050		9	47868629	71.460.020		11
47868573	35.599.050		7	47868631	71.460.020		16
47868575	35.599.050		6	47868632	71.460.020		15
47868577	35.599.020		4	47868633	71.460.020		14

INDEX - INDICE - INDEX - ZAHLENVERZEICHNIS - INDICE - INDICE - INDHOLD - INHOUD

Number	Figure	Sequence	Ref.	Number	Figure	Sequence	Ref.
47868634	71.460.020		7	47876570	35.550.020		9
47868635	71.460.020		9	47876570	35.560.020		5
47868636	71.460.020		8	47876570	35.599.030		20
47868637	71.460.020		1	47876888	68.200.300		7
47868638	71.460.020		10	47876888	88.068.010		7
47868640	35.599.020		21	47877483	39.110.010		1
47868641	35.599.020		20	47877485	39.110.010		2
47868642	35.599.020		19	47878258	71.480.010		10
47868643	35.599.020		17	47878258	71.480.030		10
47868643	35.599.050		19	47880328	68.200.120		25
47868644	35.204.010		3	47880740	35.204.010		2
47868644	35.599.020		15	47880741	35.204.010		7
47868644	35.599.050		17	47881979	68.200.210		12
47868645	35.599.020		14	47882689	55.404.020		7
47868647	35.599.020		13	47885875	60.220.060		12
47868648	35.599.020		12	47885879	60.220.030		18
47868649	35.599.020		11	47886514	90.108.010		31
47868650	35.599.020		10	47886517	90.108.010		32
47868651	35.599.020		9	47886913	35.599.010		24
47868652	35.599.020		8	47886914	35.204.010		11
47868653	35.599.020		6	47887324	68.200.130		1
47868654	35.599.020		5	47889171	35.550.020		1
47870057	35.599.010		21	47890060	60.220.020		5
47870058	35.599.010		22	47893779	90.105.070		2
47870060	35.599.010		7	47893803	90.105.060		5
47870093	35.569.010		2	47893804	90.105.070		5
47870450	05.100.04	09	3	47893885	33.300.060		7
47870450	60.220.080		1	47893887	33.300.060		12
47870455	60.220.020		16	47893889	33.300.060		4
47871138	88.055.010		1	47893892	33.300.060		5
47871312	33.300.050		5	47893893	33.300.060		6
47871312	88.033.001	05	6	47893895	33.300.060		10
47871624	90.108.010		27	47893901	33.300.060		11
47871656	55.404.040		1	47893903	33.300.060		13
47871656	88.055.050		16	47893905	33.300.060		3
47873190	90.105.040		4	47893906	33.300.060		14
47873307	68.200.070		5	47893907	33.300.060		15
47873684	55.404.030		1	47894240	90.105.070		6
47873684	88.055.010		2	47894532	90.116.010		6
47873686	55.404.030		1	47894560	27.550.040		9
47873686	88.055.010		2	47894566	27.550.040		13
47873696	88.090.010		3	47894571	27.550.040		8
47873696	90.105.120		3	47894575	27.550.040		14
47875653	39.100.030		3	47894583	27.550.040		2
47875653	39.100.040		3	47894588	33.300.060		9
47875654	39.100.030		2	47894920	90.105.060		2
47875654	39.100.040		2	47894929	90.105.060		6
47875807	68.200.300		6	47896297	35.599.030		13
47875807	88.068.010		6	47897363	33.110.010		2
47876232	88.055.030		1	47898340	55.404.060		1

INDEX - INDICE - INDEX - ZAHLENVERZEICHNIS - INDICE - INDICE - INDHOLD - INHOUD

Number	Figure	Sequence	Ref.	Number	Figure	Sequence	Ref.
47898340	55.530.010		1	47915913	60.220.020		28
47898340	88.055.030		11	47916342	60.220.030		2
47898340	88.055.040		4	47917511	60.220.060		1
47898341	55.404.060		3	47920137	90.105.060		17
47898341	55.530.010		11	47920138	90.105.070		20
47898341	88.055.030		3	47923039	68.200.070		16
47898341	88.055.040		11	47923741	68.200.040		4
47898734	35.565.010		12	47924812	39.100.060		6
47898734	88.060.040	01	12	47924814	39.100.060		5
47898739	60.220.110		1	47925021	68.200.290		3
47898739	88.060.040	03	2	47925109	68.200.120		1
47899406	55.404.040		3	47926056	55.404.060		10
47899406	88.055.050		3	47926056	88.055.030		10
47899976	35.914.040		12	47926335	35.599.050		21
47899977	35.914.030		29	47926346	35.599.050		23
47901063	35.914.050		6	47926347	35.599.050		24
47901157	35.914.060		7	47926348	35.599.050		29
47901213	35.914.050		3	47926349	35.599.050		30
47901267	05.100.04	11	2	47926528	55.404.030		2
47901267	68.200.270		5	47926528	88.055.020		3
47903963	90.105.060		4	47926532	55.404.030		2
47903963	90.105.070		4	47926532	88.055.010		3
47904133	88.033.020	01	1	47926827	33.110.010		3
47904133	88.033.020	02	1	47927043	90.108.010		35
47904134	88.033.001	01	1	47928446	55.422.010		2
47904134	88.033.001	02	1	47928594	90.105.130		8
47904134	88.033.001	03	1	47928721	60.220.180		11
47904134	88.033.001	04	1	47928723	60.220.180		11
47904134	88.033.001	05	1	47928911	60.220.180		2
47904142	88.060.030		1	47928915	60.220.180		2
47904143	88.060.020		1	47929232	55.404.010		9
47905616	90.105.050		6	47929686	71.480.010		20
47906550	60.220.180		6	47929686	71.480.030		20
47906551	60.220.180		6	47930829	55.404.040		15
47906552	71.480.020		5	47930829	88.055.050		15
47906552	71.480.040		5	47932071	60.220.010		24
47906563	71.480.040		9	47932091	60.220.010		21
47906993	60.220.170		6	47932282	90.108.010		26
47907206	60.220.180		5	47932632	68.200.300		5
47907797	90.105.130		6	47932632	88.068.010		5
47908411	90.105.040		3	47933190	68.200.300		3
47908411	90.105.130		5	47933190	88.068.010		3
47909502	88.062.010		1	47933602	60.220.200		1
47909504	88.060.010		1	47933602	88.060.020		11
47912215	62.140.120		1	47933699	33.202.040		1
47912215	88.062.010		2	47934475	90.118.020		1
47912670	68.200.010		12	47934476	90.118.020		2
47913359	55.905.010		1	47934567	90.105.010		10
47915546	62.140.170		8	47934631	88.070.010		1
47915907	39.100.060		13	47934633	88.090.010		1

INDEX - INDICE - INDEX - ZAHLENVERZEICHNIS - INDICE - INDICE - INDHOLD - INHOUD

Number	Figure	Sequence	Ref.	Number	Figure	Sequence	Ref.
47934635	88.068.020		1	47972971	90.105.120		1
47936647	39.110.020		10	47973129	90.105.110		7
47937337	90.118.010		3	47973511	55.404.050		14
47937385	39.110.020		1	47973914	35.914.030		7
47937486	55.404.010		2	47973915	35.914.030		8
47937488	55.404.010		2	47974152	55.404.050		15
47938592	39.110.010		6	47975369	44.520.110		2
47941620	39.100.010		2	47976122	39.100.060		1
47941620	39.100.020		2	47986756	71.480.020		9
47942011	39.110.020		8	47988418	05.100.04	03	1
47943672	55.422.020		2	47988418	62.140.130		4
47943996	55.433.030		17	47995419	90.105.010		3
47944101	71.480.010		17	47996110	35.914.030		2
47944101	71.480.030		17	48003190	55.100.020		1
47944108	60.220.180		30	48005187	90.105.070		17
47957005	35.599.040		10	48005376	71.460.020		1
47957006	35.599.040		9	48007005	55.433.070		14
47957007	35.599.040		2	48007005	68.200.210		26
47957008	35.599.040		1	48009106	33.202.040		17
47957038	05.100.04	05	3	48009108	33.202.050		9
47957038	05.100.04	06	3	48010784	68.200.110		3
47957038	62.140.150		6	48010784	68.200.130		20
47957038	62.140.160		6	48010821	68.200.130		3
47960501	39.100.060		2	48010862	35.204.010		20
47960871	05.100.04	03	2	48010867	68.200.130		2
47960871	62.140.170		4	48011762	68.200.250		4
47960882	05.100.04	03	3	48012813	35.914.030		9
47960882	05.100.04	04	3	48012819	35.914.030		3
47960882	62.140.170		6	48013379	39.110.061		1
47960904	05.100.04	03	4	48014716	55.404.010		15
47960904	05.100.04	04	4	48014718	55.404.010		16
47960904	62.140.170		7	48015582	90.108.010		29
47960914	05.100.04	04	2	48015583	90.108.010		28
47960914	62.140.170		5	48015944	33.202.040		3
47960931	05.100.04	05	4	48015944	33.202.040		8
47960931	62.140.170		2	48015945	33.202.040		4
47960939	05.100.04	05	5	48015946	33.202.040		11
47960939	05.100.04	06	5	48015947	33.202.040		14
47960939	62.140.170		3	48016027	33.202.050		3
47960955	05.100.04	06	4	48016064	33.202.040		2
47960955	62.140.170		1	48016067	33.202.040		9
47963128	62.140.150		16	48016068	33.202.040		10
47963560	62.140.150		1	48016069	33.202.040		5
47963575	05.100.04	01	4	48016070	33.202.040		6
47963575	31.220.010		6	48016082	33.202.040		12
47963582	05.100.04	01	5	48016083	33.202.040		13
47963582	31.220.010		7	48016083	33.202.040		16
47963721	55.520.010		2	48016084	33.202.040		15
47963721	88.055.070		3	48016586	33.202.050		1
47963722	88.055.070		1	48016630	33.202.050		2

INDEX - INDICE - INDEX - ZAHLENVERZEICHNIS - INDICE - INDICE - INDHOLD - INHOUD

Number	Figure	Sequence	Ref.	Number	Figure	Sequence	Ref.
48016632	90.108.010		25	48061075	35.599.030		10
48016633	90.108.010		24	48064922	90.108.060		3
48016634	90.108.010		38	48064922	90.108.070		3
48016635	90.108.010		37	48067637	90.108.060		1
48016770	90.108.010		21	48068023	90.108.070		1
48017330	60.220.110		2	48074811	55.404.050		21
48017330	88.060.040	03	3	48096348	60.220.030		6
48019156	68.200.220		10	48097183	05.102.010		3
48020312	90.105.110		13	48103570	90.108.010		21
48020334	33.202.060		2	48105639	33.202.061		1
48020335	33.202.060		1	48105640	33.202.061		2
48021051	90.105.150		29	48105641	33.202.061		3
48022470	68.200.280		26	48105718	33.202.061		5
48022971	33.110.020		16	48105756	33.202.061		4
48022971	33.300.090		2	48120488	00.100.05		1
48023249	90.108.010		14	5119832	60.220.090		2
48024259	68.200.300		29	5126031	90.105.080		29
48024259	88.068.010		29	5126031	90.105.090		29
48024756	33.300.080		1	51400939	35.914.040		5
48024760	33.300.070		9	523310	68.200.040		23
48024795	90.108.010		15	52367	60.220.010		18
48025654	33.300.070		7	535866	05.100.04	02	5
48025654	33.300.080		4	535866	60.220.120		18
48025913	35.599.050		25	54695	05.100.04	02	2
48025914	35.599.050		10	54695	60.220.120		11
48026344	71.460.050		16	596127	90.118.020		3
48026345	71.460.050		17	62161	60.220.180		27
48027508	33.300.070		4	63582	55.520.010		13
48027510	33.300.070		8	63582	88.055.070		16
48029158	68.200.050		2	646223	55.404.040		6
48032484	90.108.020		5	646223	88.055.050		6
48032484	90.108.040		5	698748	68.200.040		9
48032573	90.108.010		19	698748	68.200.070		4
48033054	35.914.060		2	698748	68.200.300		8
48037160	71.480.020		10	698748	88.068.010		8
48037160	71.480.040		10	725626	39.100.050		7
48039866	05.100.04	13	1	725637	27.550.030		19
48039866	68.200.210		9	725637	88.033.001	01	4
48040165	68.200.300		4	73170208	60.220.020		30
48040165	88.068.010		4	73171233	35.914.020		8
48041189	39.110.040		5	746294	55.404.020		9
48041189	39.110.061		5	746294	55.404.050		18
48041414	90.108.010		22	774-14219	68.200.230		7
48043236	35.599.050		31	799266	55.404.010		14
48045178	90.108.060		2	800-1135	68.200.250		24
48045178	90.108.070		2	800-1135	68.200.310		11
48045348	68.200.120		6	800956	05.100.04	09	15
48046437	68.200.220		25	800956	60.220.010		19
48057967	60.220.150		28	800956	60.220.090		13
48061075	35.204.010		13	80280503	60.220.120		17

INDEX - INDICE - INDEX - ZAHLENVERZEICHNIS - INDICE - INDICE - INDHOLD - INHOUD

Number	Figure	Sequence	Ref.	Number	Figure	Sequence	Ref.
80680	60.220.120		16	84022088	39.100.030		8
80681	88.055.070		21	84022088	39.100.040		8
80702	68.200.050		13	84024216	60.220.020		21
80720	68.200.020		13	84024585	68.200.060		4
80974	55.433.010		5	84024749	68.200.060		6
81547	88.055.070		24	84025509	60.220.200		5
82020635	27.550.010		18	84025509	60.220.210		3
82020635	27.550.020		19	84025509	88.060.020		5
82020635	27.550.040		20	84025509	88.060.030		3
82020635	31.220.010		19	84037257	35.914.030		21
82020635	60.220.030		20	84041731	55.433.010		6
82020635	62.140.130		16	84041902	60.220.180		8
82020635	62.140.140		24	84043962	35.204.010		18
82020635	62.140.160		22	84043962	35.560.020		2
82020635	68.200.280		24	84043962	35.565.010		2
838-3860	60.220.170		12	84043962	88.060.040	01	3
83931520	90.105.040		15	84064562	35.560.010		7
83931520	90.105.130		18	84064562	35.569.020		7
83959716	55.404.050		29	84064562	35.599.010		5
84004731	90.108.010		6	84067964	55.404.020		23
84004734	90.108.010		8	84067964	55.404.050		4
84004736	90.108.010		13	84068369	00.100.05		2
84004738	90.108.010		2	84068370	00.100.05		2
84004744	90.108.010		7	84068371	00.100.05		2
84005363	90.108.010		1	84068372	00.100.05		3
84012277	60.220.170		18	84075487	55.100.010		18
84012277	60.220.180		31	84075487	55.100.030		17
84012756	60.220.010		27	84078384	90.108.010		9
84014114	90.108.010		4	84078395	33.110.010		4
84014115	90.108.010		3	84078783	55.905.020		2
84014198	33.300.020		12	84078784	55.905.020		3
84014198	33.300.020		13	84078897	33.300.020		7
84014198	33.300.040		15	84078897	88.033.001	02	7
84014198	33.300.050		6	84100296	90.108.010		10
84014198	33.300.070		10	84100524	33.110.020		13
84014198	88.033.001	02	8	84100524	35.565.010		21
84014198	88.033.001	02	9	84100524	39.100.050		33
84014198	88.033.001	04	16	84100524	39.110.010		16
84014198	88.033.001	05	7	84100524	55.404.010		6
84014245	33.300.020		8	84100524	60.220.010		14
84014311	33.300.020		11	84100524	60.220.110		15
84014311	33.300.090		5	84100524	60.220.180		23
84014312	33.300.020		10	84100524	60.220.200		10
84014312	33.300.090		8	84100524	60.220.210		7
84015292	90.105.050		2	84100524	68.200.010		26
84015292	90.105.080		6	84100524	68.200.070		15
84015292	90.105.090		6	84100524	68.200.110		16
84015292	90.105.140		2	84100524	68.200.120		20
84015292	90.105.150		7	84100524	68.200.130		16
84021105	90.108.010		5	84100524	68.200.140		16

INDEX - INDICE - INDEX - ZAHLENVERZEICHNIS - INDICE - INDICE - INDHOLD - INHOUD

Number	Figure	Sequence	Ref.	Number	Figure	Sequence	Ref.
84100524	68.200.150		9	84278115	39.100.060		9
84100524	68.200.160		18	84278115	60.220.010		17
84100524	68.200.220		20	84278115	60.220.040		8
84100524	68.200.250		22	84278115	60.220.050		8
84100524	68.200.270		16	84278115	60.220.070		11
84100524	70.280.010		13	84278115	62.140.140		27
84100524	88.060.020		10	84278115	68.200.120		21
84100524	88.060.030		7	84278115	68.200.220		21
84100524	88.060.040	01	21	84278115	68.200.230		22
84100524	88.060.040	03	16	84278115	68.200.260		8
84100524	88.070.010		13	84278115	68.200.290		19
84100524	90.105.130		16	84278115	68.200.300		24
84100524	90.105.140		14	84278115	70.280.010		7
8411057	35.599.030		3	84278115	88.060.040	01	20
84127702	05.100.04	01	8	84278115	88.068.010		24
84127702	55.100.010		5	84278115	88.070.010		7
84127702	55.100.030		5	84278115	90.108.070		8
84127703	05.100.04	01	9	84278115	90.116.010		20
84127703	55.100.010		8	84291843	60.220.120		5
84127703	55.100.030		8	84291845	60.220.120		3
84127704	05.100.04	01	10	84310718	71.460.050		11
84127704	55.100.010		7	84310718	71.460.060		10
84127704	55.100.030		7	84312238	39.100.050		35
84132501	60.220.170		19	84312238	55.433.030		19
84153830	05.100.04	01	11	84312238	60.220.170		10
84153830	55.100.010		9	84312238	60.220.180		24
84153830	55.100.030		9	84312238	62.140.130		17
84157159	05.100.04	01	12	84312238	62.140.140		25
84157159	55.100.010		2	84312238	62.140.160		23
84157159	55.100.030		2	84312238	68.200.250		23
84168348	35.550.010		14	84312238	68.200.290		18
84168348	39.100.050		38	84312795	71.460.010		1
84168348	60.220.020		2	84312795	71.460.070		1
84188433	55.404.060		5	84315054	55.530.010		2
84188433	55.530.010		6	84315054	88.055.040		2
84188433	88.055.030		5	84320615	44.520.110		1
84188433	88.055.040		6	84320807	33.300.090		1
84191453	55.100.010		16	84324246	60.220.100		22
84191453	55.100.030		12	84324246	60.220.130		17
84205000	35.914.020		1	84327846	60.220.120		2
84236053	44.520.120		2	84327847	60.220.120		4
84253578	05.100.04	01	13	84335923	90.118.020		8
84253578	55.100.030		3	84348886	55.520.010		4
84274758	33.110.010		1	84348886	88.055.070		8
84278115	33.110.020		12	84350126	05.100.04	02	9
84278115	35.565.010		20	84350126	60.220.120		12
84278115	35.568.020		6	84377704	55.530.010		3
84278115	35.914.030		24	84377704	88.055.040		3
84278115	35.914.040		8	84382002	05.100.04	02	6
84278115	39.100.050		34	84382002	60.220.120		8

INDEX - INDICE - INDEX - ZAHLENVERZEICHNIS - INDICE - INDICE - INDHOLD - INHOUD

Number	Figure	Sequence	Ref.	Number	Figure	Sequence	Ref.
84382749	39.100.010		3	84477606	33.110.010		5
84382749	39.100.020		3	84484709	55.520.010		3
84391774	55.422.010		1	84515054	35.204.010		19
84391774	55.433.020		1	84515054	35.565.010		3
84391774	55.433.050		1	84515054	88.060.040	01	4
84391774	55.433.050		2	84539290	05.100.04	01	14
84391774	55.433.050		3	84539290	55.100.010		4
84391774	55.433.060		1	84539290	55.100.030		4
84391774	55.433.060		2	84555763	55.404.060		6
84391774	55.433.060		3	84555763	88.055.030		6
84391774	55.433.060		4	84559050	05.100.04	02	10
84391774	55.433.060		5	84559050	60.220.140		4
84391774	55.433.070		15	84568797	68.200.070		2
84391774	55.433.070		16	84568800	68.200.070		1
84391774	55.433.070		3	84569292	68.200.050		3
84391774	55.633.020		1	8475948	68.200.060		25
84391774	55.633.020		2	84800800	60.220.190		1
84403671	55.433.030		1	84807240	71.460.030		10
84403671	55.433.030		2	84807240	71.460.040		10
84404932	55.100.010		10	84807242	71.460.040		11
84404932	55.100.030		10	84807242	71.460.050		15
84405631	60.220.120		1	84807247	71.460.030		13
84405638	60.220.120		6	84807307	55.433.070		4
84405642	60.220.120		6	84814929	68.200.220		8
84406850	35.914.030		25	84819661	35.204.010		14
84406851	31.220.010		12	84819661	35.565.010		4
84414367	33.300.080		2	84819661	88.060.040	01	5
84414378	33.300.080		3	84819669	35.565.010		5
84420719	60.220.120		15	84819669	88.060.040	01	6
84429037	60.220.190		2	84819676	35.599.030		16
84429038	60.220.190		3	84819677	35.204.010		15
84429039	60.220.190		4	84819677	35.560.020		6
84429041	90.108.020		6	84820498	68.200.290		4
84429041	90.108.040		6	84972729	68.200.310		3
84429871	68.200.250		17	86000439	55.433.030		20
84438926	60.220.040		4	86000441	60.220.170		11
84438926	60.220.050		4	86015195	39.100.060		21
84440416	90.105.050		5	86050233	68.200.140		23
84440416	90.105.080		9	86050286	68.200.050		12
84440416	90.105.090		9	864-12050	68.200.220		35
84440416	90.105.140		4	864-12065	68.200.220		34
84440416	90.105.150		8	86500688	71.460.020		4
84455036	35.914.050		15	86500688	71.460.030		7
84459203	33.300.040		5	86500688	71.460.040		9
84459203	88.033.001	04	6	86500688	71.460.050		10
84464	68.200.040		21	86500688	71.460.050		8
84467073	05.100.04	02	4	86500688	71.460.060		9
84467073	60.220.120		7	86500688	71.480.020		8
84477010	05.100.04	01	13	86500688	71.480.040		8
84477010	55.100.010		3	86500688	88.090.010		11

INDEX - INDICE - INDEX - ZAHLENVERZEICHNIS - INDICE - INDICE - INDHOLD - INHOUD

Number	Figure	Sequence	Ref.	Number	Figure	Sequence	Ref.
86500688	90.105.120		11	86511315	35.204.010		17
86500689	88.090.010		12	86511315	35.569.020		11
86500689	90.105.120		12	86511315	35.599.030		23
86503156	88.068.020		5	86511315	35.599.040		7
86507486	05.102.010		4	86511315	68.200.270		7
86507486	33.110.010		11	86511323	39.100.030		19
86507486	55.520.010		8	86511323	39.100.040		19
86507486	60.220.170		16	86511323	39.100.050		28
86507486	60.220.180		21	86511323	55.404.010		5
86507486	68.200.010		29	86511323	60.220.010		12
86507486	68.200.030		12	86511323	60.220.040		5
86507486	68.200.050		11	86511323	60.220.050		5
86507486	68.200.120		13	86511323	68.200.110		13
86507486	71.460.010		5	86511323	68.200.120		16
86507486	88.055.070		10	86511323	68.200.130		14
86507486	90.105.050		14	86511323	68.200.140		18
86507486	90.105.140		12	86511323	68.200.150		11
86508454	33.110.010		9	86511323	68.200.220		11
86508568	55.404.020		19	86511323	68.200.240		8
86508568	60.220.030		12	86511323	68.200.250		13
86508568	90.105.010		6	86511323	68.200.270		8
86508568	90.116.010		12	86511323	68.200.280		20
86508573	62.140.120		4	86511323	70.280.010		10
86508573	88.062.010		5	86511323	88.070.010		10
86508583	60.220.170		8	86511323	90.105.110		10
86508583	60.220.180		20	86511323	90.105.130		10
86508618	60.220.040		7	86511324	33.110.020		9
86508618	60.220.050		7	86511324	35.565.010		14
86508813	55.100.040		8	86511324	35.568.020		4
86508813	55.404.060		8	86511324	35.914.030		17
86508813	55.433.070		13	86511324	35.914.030		22
86508813	55.530.010		9	86511324	35.914.040		6
86508813	71.480.010		5	86511324	39.100.030		11
86508813	71.480.020		13	86511324	39.100.040		11
86508813	71.480.030		5	86511324	39.100.050		29
86508813	71.480.040		13	86511324	39.100.060		11
86508813	88.055.030		8	86511324	55.404.010		4
86508813	88.055.040		9	86511324	60.220.010		15
86508817	33.110.020		14	86511324	60.220.060		11
86508947	60.220.170		13	86511324	60.220.070		9
86508947	60.220.180		29	86511324	60.220.110		18
86508947	60.220.200		4	86511324	62.140.140		21
86508947	60.220.210		4	86511324	68.200.040		14
86508947	88.060.020		4	86511324	68.200.120		15
86508947	88.060.030		4	86511324	68.200.210		13
86509597	90.118.010		15	86511324	68.200.220		12
86509761	55.433.030		3	86511324	68.200.230		15
86511042	55.404.030		9	86511324	68.200.260		6
86511042	88.055.010		10	86511324	68.200.290		10
86511042	88.055.020		10	86511324	68.200.300		12

INDEX - INDICE - INDEX - ZAHLENVERZEICHNIS - INDICE - INDICE - INDHOLD - INHOUD

Number	Figure	Sequence	Ref.	Number	Figure	Sequence	Ref.
86511324	68.200.310		6	86511816	55.404.010		20
86511324	70.280.010		6	86511816	55.433.070		8
86511324	88.060.040	01	14	86511827	90.105.050		12
86511324	88.060.040	03	19	86511827	90.105.110		4
86511324	88.068.010		12	86511827	90.105.140		20
86511324	88.070.010		6	86511841	60.220.010		9
86511324	90.105.060		11	86511841	68.200.010		28
86511324	90.105.070		11	86511845	60.220.100		24
86511324	90.108.070		6	86511845	60.220.130		19
86511324	90.116.010		11	86511845	68.200.070		18
86511324	90.118.020		10	86512418	60.220.010		8
86511325	33.110.020		10	86512420	55.404.020		17
86511325	62.140.130		13	86512420	60.220.150		12
86511326	31.220.010		1	86512424	39.100.030		17
86511326	35.560.010		16	86512424	39.100.040		17
86511326	39.100.050		30	86512424	90.105.110		14
86511326	55.633.010		10	86512425	68.200.120		22
86511326	60.220.020		11	86512439	90.105.060		18
86511326	60.220.170		7	86512439	90.105.070		21
86511326	60.220.180		16	86512446	68.200.010		14
86511326	62.140.140		20	86512446	68.200.060		18
86511326	62.140.160		19	86512446	90.105.080		31
86511326	68.200.250		14	86512446	90.105.090		31
86511326	68.200.280		29	86512554	60.220.040		9
86511326	68.200.290		11	86512554	60.220.050		9
86511326	68.200.300		13	86516139	90.108.010		16
86511326	88.068.010		13	86517328	35.914.020		10
86511327	27.550.010		17	86517328	71.460.020		3
86511327	27.550.020		18	86517328	71.460.030		8
86511327	27.550.030		18	86517328	71.460.040		8
86511327	27.550.040		21	86517328	71.460.050		9
86511327	31.220.010		16	86517328	71.460.060		8
86511327	39.100.060		18	86523012	33.110.020		7
86511327	39.110.010		7	86531615	71.480.020		7
86511327	39.110.040		6	86531615	71.480.040		7
86511327	39.110.050		2	86539482	55.433.030		7
86511327	39.110.060		2	86540330	68.200.030		4
86511327	39.110.061		6	86548974	60.220.150		5
86511327	60.220.030		16	86553668	05.102.010		1
86511327	62.140.130		12	86561786	68.200.070		10
86511327	62.140.140		19	86566989	33.300.020		15
86511327	62.140.160		18	86566989	33.300.050		12
86511327	68.200.280		19	86566989	88.033.001	02	11
86511327	68.200.300		14	86566989	88.033.001	05	13
86511327	68.200.320		7	86566990	33.202.060		10
86511327	88.033.001	01	3	86566990	33.202.061		10
86511327	88.068.010		14	86566990	55.100.030		15
86511327	88.068.020		7	86566990	55.100.040		4
86511328	39.110.040		4	86566990	55.404.010		25
86511328	39.110.061		4	86566990	55.422.020		7

INDEX - INDICE - INDEX - ZAHLENVERZEICHNIS - INDICE - INDICE - INDHOLD - INHOUD

Number	Figure	Sequence	Ref.	Number	Figure	Sequence	Ref.
86566990	55.433.070		11	86624176	39.100.010		4
86585707	55.404.050		30	86624176	39.100.020		4
86585710	60.220.150		15	86624176	55.905.020		13
86585710	68.200.010		30	86624176	60.220.200		7
86585710	90.105.080		18	86624176	68.200.010		22
86585710	90.105.090		18	86624176	68.200.070		19
86585710	90.105.150		19	86624176	88.033.001	03	15
86585710	90.118.010		14	86624176	88.033.001	04	3
86588450	55.404.010		17	86624176	88.060.020		7
86588450	55.404.020		15	86624176	90.105.040		7
86588450	55.422.020		3	86624176	90.105.050		11
86588450	55.905.020		8	86624176	90.105.080		15
86588450	68.200.070		20	86624176	90.105.090		15
86588450	68.200.160		23	86624176	90.105.110		15
86588450	71.480.020		6	86624176	90.105.140		9
86588450	71.480.040		6	86624176	90.105.150		14
86588450	88.055.070		20	86624176	90.116.010		10
86588450	88.090.010		8	86624182	35.914.020		9
86588450	90.105.120		8	86624182	62.140.170		11
86588450	90.108.060		6	86624182	68.200.110		11
86588450	90.108.070		7	86624182	68.200.130		18
86588450	90.116.010		8	86624184	05.102.010		5
86588502	33.110.010		14	86624184	33.110.010		12
86590413	55.100.030		14	86624184	33.202.040		18
86590413	55.100.040		2	86624184	33.202.050		10
86590413	55.404.010		23	86624184	33.300.030		12
86590413	55.422.020		5	86624184	33.300.050		7
86592711	60.220.090		19	86624184	39.100.020		13
86593724	05.100.04	12	1	86624184	39.100.030		12
86593724	68.200.040		6	86624184	39.100.040		12
86598046	35.550.030		9	86624184	39.100.050		27
86601285	68.200.030		9	86624184	39.110.010		8
86601713	27.550.030		20	86624184	55.100.010		12
86601713	88.033.001	01	5	86624184	55.100.030		24
86617942	68.200.030		2	86624184	55.404.040		10
86617942	68.200.060		2	86624184	55.404.060		4
86619060	68.200.020		20	86624184	55.530.010		5
86619800	55.905.020		9	86624184	55.633.010		3
86620026	60.220.100		19	86624184	55.640.010		4
86620026	60.220.130		14	86624184	55.640.020		4
86621124	35.550.020		10	86624184	60.220.020		10
86621124	35.599.030		15	86624184	60.220.090		18
86622552	68.200.020		15	86624184	68.200.010		20
86624166	68.200.060		21	86624184	68.200.070		24
86624176	33.110.020		11	86624184	68.200.110		12
86624176	33.202.040		21	86624184	68.200.120		14
86624176	33.300.030		14	86624184	68.200.130		13
86624176	33.300.040		2	86624184	68.200.140		17
86624176	33.300.070		11	86624184	68.200.150		10
86624176	33.300.080		11	86624184	68.200.160		26

INDEX - INDICE - INDEX - ZAHLENVERZEICHNIS - INDICE - INDICE - INDHOLD - INHOUD

Number	Figure	Sequence	Ref.	Number	Figure	Sequence	Ref.
86624184	71.460.070		3	86629541	70.280.010		5
86624184	71.480.010		15	86629541	88.068.010		18
86624184	71.480.020		3	86629541	88.070.010		5
86624184	71.480.030		15	86629541	90.116.010		16
86624184	71.480.040		3	86629542	05.100.04	02	8
86624184	88.033.001	03	13	86629542	60.220.120		20
86624184	88.033.001	05	8	86629542	60.220.180		22
86624184	88.055.030		4	86629544	05.100.04	09	16
86624184	88.055.040		5	86629544	60.220.010		20
86624184	88.055.050		10	86629544	60.220.090		14
86624184	90.105.010		5	86629891	35.569.010		5
86624184	90.105.020		2	86633356	55.433.010		7
86624184	90.105.030		4	86633356	60.220.100		23
86624184	90.105.040		6	86633356	60.220.130		18
86624184	90.105.050		9	86633356	68.200.070		8
86624184	90.105.080		12	86633356	88.090.010		7
86624184	90.105.090		12	86633356	90.105.080		22
86624184	90.105.100		2	86633356	90.105.090		22
86624184	90.105.130		9	86633356	90.105.120		7
86624184	90.105.140		8	86636815	60.220.150		32
86624184	90.105.150		11	86636815	68.200.110		9
86624184	90.105.160		2	86639241	55.404.020		20
86625000	35.204.010		10	86639241	55.404.050		20
86625001	35.550.030		8	86639241	60.220.150		22
86625001	90.105.030		5	86639241	68.200.010		32
86625001	90.105.080		19	86639241	90.105.050		17
86625001	90.105.090		19	86639241	90.105.080		23
86625001	90.105.100		3	86639241	90.105.090		23
86625001	90.105.160		3	86639241	90.105.110		5
86625035	55.404.050		25	86639241	90.105.140		19
86625075	62.140.170		14	86639241	90.105.150		27
86625140	62.140.130		10	86639241	90.118.010		13
86625140	62.140.140		18	86639305	35.560.010		15
86625140	62.140.160		17	86639310	55.433.070		7
86625220	05.100.04	09	12	86639311	55.433.030		18
86625220	60.220.090		20	86639313	39.110.020		3
86625220	60.220.100		14	86639313	55.404.020		14
86625220	60.220.130		10	86639313	60.220.110		8
86625220	68.200.130		12	86639313	60.220.170		15
86625253	60.220.100		13	86639313	60.220.180		17
86625253	60.220.200		8	86639313	68.200.010		23
86625253	68.200.130		17	86639313	68.200.110		21
86625253	88.060.020		8	86639313	68.200.120		18
86625263	39.100.060		12	86639313	88.060.040	03	9
86625263	90.108.060		7	86639313	90.105.040		8
86627923	68.200.060		13	86639313	90.105.060		9
86628837	60.220.100		4	86639313	90.105.070		9
86629541	39.100.060		7	86639313	90.105.130		11
86629541	68.200.300		18	86639313	90.105.140		10
86629541	68.200.310		8	86639313	90.105.150		17

INDEX - INDICE - INDEX - ZAHLENVERZEICHNIS - INDICE - INDICE - INDHOLD - INHOUD

Number	Figure	Sequence	Ref.	Number	Figure	Sequence	Ref.
86639313	90.118.010		6	87045051	44.520.020		3
86639325	60.220.020		25	87045051	44.520.110		3
86639847	60.220.030		17	87045051	44.520.130		3
86640785	68.200.060		12	87105683	55.905.010		2
86641342	68.200.060		5	87284257	88.055.070		6
86641856	05.100.04	02	1	87284259	88.055.070		7
86641856	60.220.120		10	87302193	68.200.240		9
86642359	90.108.010		17	87302511	90.108.020		3
86642464	31.220.010		8	87302511	90.108.040		3
86642464	39.110.010		14	87342073	55.422.020		1
86642464	68.200.120		17	87342073	55.433.050		4
86642464	68.200.160		21	87342073	55.633.010		1
86977726	68.200.220		13	87342153	68.200.300		9
86977758	68.200.030		14	87342153	88.068.010		9
86977758	68.200.050		17	87343584	39.110.040		7
86977786	35.550.010		11	87343584	39.110.050		3
86977786	39.100.050		19	87343584	39.110.060		3
86977786	88.090.010		6	87343584	39.110.061		7
86977786	90.105.120		6	87343790	35.599.010		3
86977786	90.108.060		5	87343790	35.599.040		12
86977786	90.108.070		5	87347	68.200.060		20
86977790	71.460.040		7	87348039	35.550.020		5
86977790	71.460.060		7	87355383	55.433.040		1
87015928	68.200.030		11	87358558	55.404.010		22
87015928	68.200.060		17	87358558	55.433.070		9
87016189	68.200.030		10	87362	60.220.180		15
87016189	68.200.060		19	87363211	55.630.010		1
87016469	55.100.040		7	87381134	35.560.010		6
87016469	55.433.070		12	87381134	35.568.010		6
87016607	35.914.030		26	87381134	35.569.010		3
87016607	90.118.020		5	87384106	55.433.030		9
87016944	35.569.010		4	87386396	55.520.010		11
87017328	68.200.020		6	87386398	88.055.070		5
87019852	33.300.030		1	87389396	68.200.210		14
87019852	33.300.070		1	87389396	90.118.010		10
87019852	88.033.001	03	2	87389403	55.433.070		10
87020998	68.200.010		11	87397756	68.200.020		1
87023168	55.640.010		11	87414	39.110.060		5
87024645	55.404.040		2	87439523	90.108.020		4
87024645	88.055.050		2	87439523	90.108.040		4
87028121	33.300.040		6	87479525	35.560.010		5
87028121	88.033.001	04	7	87479525	35.569.020		6
87028323	60.220.010		26	87479526	35.550.020		2
87028495	68.200.070		3	87489983	39.110.040		8
87034817	05.100.04	02	12	87489983	39.110.050		4
87034817	60.220.140		7	87489983	39.110.060		4
87039762	05.100.04	02	11	87489983	39.110.061		8
87039762	60.220.140		6	87489983	39.110.070		5
87043391	44.520.130		2	87489983	68.200.300		26
87045051	44.520.010		3	87489983	88.068.010		26

INDEX - INDICE - INDEX - ZAHLENVERZEICHNIS - INDICE - INDICE - INDHOLD - INHOUD

Number	Figure	Sequence	Ref.	Number	Figure	Sequence	Ref.
87493574	35.560.010		14	88130	60.220.120		13
87493574	35.569.020		8	88206	68.200.020		22
87493575	35.550.020		3	905835R1	60.220.060		10
87497918	39.100.030		18	920091705	62.140.130		15
87497918	39.100.040		18	920091705	62.140.160		21
87497918	39.100.060		17	9507812	33.300.080		17
87522416	55.905.020		4	9512523	33.300.040		11
87522416	88.055.070		18	9512523	33.300.080		8
87525881	60.220.100		9	9512523	88.033.001	04	12
87529311	39.110.010		9	9512529	33.300.040		9
87555733	62.140.130		14	9512529	33.300.080		5
87563868	27.550.040		18	9512529	88.033.001	04	10
87563868	35.914.040		2	9512530	33.300.040		10
87563868	35.914.050		2	9512530	33.300.080		6
87563868	35.914.050		5	9512530	88.033.001	04	11
87563868	35.914.060		6	9512531	33.300.030		2
87563868	68.200.240		7	9512531	33.300.070		5
87563868	68.200.250		25	9512531	88.033.001	03	3
87563868	68.200.280		16	9512534	33.300.020		4
87573374	68.200.300		20	9512534	33.300.050		3
87573374	88.068.010		20	9512534	33.300.090		13
87585960	60.220.110		19	9512534	88.033.001	02	13
87585960	88.060.040	03	20	9512534	88.033.001	05	4
87601142	55.100.010		17	9512535	33.300.080		16
87601142	55.100.030		20	9512537	05.100.04	01	7
87601142	55.905.020		5	9512537	33.300.050		4
87601142	88.055.070		27	9512537	88.033.001	05	5
87602337	39.100.060		19	9512540	33.300.030		9
87613338	60.220.060		14	9512540	33.300.040		12
87643130	68.200.020		14	9512540	33.300.070		6
87644291	60.220.100		12	9512540	33.300.080		9
87644291	60.220.130		9	9512540	88.033.001	03	10
87654458	68.200.230		21	9512540	88.033.001	04	13
87655334	05.100.04	01	15	9512541	33.300.040		13
87655334	55.100.010		6	9512541	33.300.080		7
87655334	55.100.030		6	9512541	88.033.001	04	14
87672180	90.118.010		9	9512545	05.100.03	01	20
87672190	68.200.210		17	9512545	33.300.030		3
87672190	90.118.010		8	9512545	33.300.070		3
87680388	33.300.090		10	9512545	88.033.001	03	4
87684280	68.200.060		16	9512546	05.100.04	01	6
87699341	35.599.010		1	9512546	33.300.050		2
87699341	35.914.030		12	9512546	88.033.001	05	3
87699341	35.914.050		14	9513422	55.404.040		4
87716495	55.422.020		8	9513422	88.055.050		4
87716495	55.630.010		2	9514603	90.105.060		7
87734612	35.568.010		4	9514603	90.105.070		7
87737472	55.100.010		23	9514605	90.105.060		8
87737472	55.100.030		13	9514605	90.105.070		8
87936	68.200.020		21	9615969	60.220.180		7

INDEX - INDICE - INDEX - ZAHLENVERZEICHNIS - INDICE - INDICE - INDHOLD - INHOUD

Number	Figure	Sequence	Ref.	Number	Figure	Sequence	Ref.
9628065	35.565.010		18	9706702	39.100.050		22
9628065	60.220.020		9	9706703	68.200.040		11
9628065	62.140.140		23	9706703	68.200.110		10
9628065	68.200.220		15	9706704	33.110.020		8
9628065	68.200.290		16	9706704	39.110.010		15
9628065	68.200.300		19	9706704	68.200.130		9
9628065	88.060.040	01	18	9706704	90.105.040		16
9628065	88.068.010		19	9706732	55.905.020		10
9628065	90.116.010		17	9706732	88.055.070		22
9635082	68.200.060		23	9706755	55.404.050		28
9637692	60.220.120		19	9706755	55.520.010		12
9670066	55.404.010		7	9706755	55.640.010		16
9670066	90.118.020		11	9706755	55.640.020		11
9670288	90.118.020		12	9706755	55.905.020		12
9671714	68.200.020		23	9706755	68.200.160		20
9706685	35.568.020		5	9706755	88.055.070		15
9706685	60.220.020		12	9706755	90.105.060		20
9706685	60.220.110		16	9706755	90.105.070		23
9706685	60.220.150		21	9804255	55.433.010		4
9706685	68.200.300		2	9804255	90.105.110		3
9706685	70.280.010		4	9804258	55.433.020		3
9706685	88.060.040	03	17	9804258	55.433.030		10
9706685	88.068.010		31	9804258	60.220.030		13
9706685	88.070.010		4	9804258	68.200.010		17
9706687	35.914.030		18	9804260	55.404.040		11
9706687	68.200.300		30	9804260	88.055.050		11
9706687	88.068.010		30	9804261	60.220.140		9
9706690	55.520.010		10	9804261	68.200.040		13
9706690	55.640.010		17	9804262	60.220.140		5
9706690	55.640.020		12	9804262	68.200.020		16
9706690	60.220.150		20	9804262	68.200.060		8
9706690	68.200.060		24	9804271	39.110.020		5
9706690	68.200.220		19	9804271	60.220.020		7
9706690	68.200.230		17	9804276	68.200.040		16
9706690	88.055.070		12	9804277	55.404.040		13
9706690	90.105.040		13	9804277	55.433.020		4
9706690	90.105.050		16	9804277	55.433.030		13
9706690	90.105.060		15	9804277	60.220.150		19
9706690	90.105.070		15	9804277	68.200.010		24
9706690	90.105.080		24	9804277	68.200.020		24
9706690	90.105.090		24	9804277	68.200.030		13
9706690	90.105.100		4	9804277	88.055.050		13
9706690	90.105.140		13	9804278	55.433.010		8
9706690	90.105.160		4	9804278	60.220.100		16
9706693	68.200.260		7	9804278	60.220.100		25
9706694	39.110.010		10	9804278	60.220.130		20
9706694	62.140.130		19	9804278	68.200.040		15
9706694	68.200.320		8	9804278	68.200.060		10
9706702	33.110.020		6	9804278	68.200.070		14
9706702	35.914.040		7	9804279	33.110.010		16

INDEX - INDICE - INDEX - ZAHLENVERZEICHNIS - INDICE - INDICE - INDHOLD - INHOUD

Number	Figure	Sequence	Ref.	Number	Figure	Sequence	Ref.
9804280	55.433.030		16	9843611	31.220.010		14
9813512	35.550.010		5	9846526	90.108.010		33
9814004	39.100.050		25	9846918	68.200.070		9
9822519	05.100.04	14	1	9850318	35.204.010		8
9822519	71.480.010		16	9850318	35.568.020		9
9822519	71.480.020		4	9850318	35.599.010		4
9822519	71.480.030		16	9850318	35.599.040		13
9822519	71.480.040		4	9850318	35.914.030		13
9824259	35.550.010		12	9850318	35.914.040		14
9824259	39.100.050		26	9850318	35.914.060		12
9824259	55.404.020		12	AIR	05.100.03	01	
9824259	55.404.050		11	CAPACITIES	05.100.03	01	
9824259	55.640.010		14	HYDRAULIC	05.100.03	01	
9824259	60.220.010		11	L11541	33.202.020		8
9824259	68.200.160		22	L11541	35.599.010		13
9824259	68.200.220		39	L11541	88.033.020	02	9
9824259	68.200.230		14	NSS	27.550.010		12
9824259	90.116.010		7	NSS	27.550.010		2
9824326	55.100.040		6	NSS	27.550.020		2
9824326	55.404.020		13	NSS	27.550.030		2
9824326	55.404.020		3	NSS	31.220.020		21
9824326	55.404.050		3	NSS	31.220.020		22
9824326	60.220.150		18	NSS	33.202.010		17
9824326	68.200.010		31	NSS	33.202.030		17
9824326	90.105.080		13	NSS	33.300.060		2
9824326	90.105.090		13	NSS	35.599.020		2
9824326	90.105.110		6	NSS	35.599.050		3
9824326	90.105.150		12	NSS	55.530.010		4
9824326	90.118.010		12	NSS	60.220.190		5
9824840	35.568.010		10				
9824840	62.140.170		10				
9827956	68.200.060		7				
9832203	55.905.020		7				
9832203	62.140.170		13				
9832203	88.055.070		19				
9835804	55.404.020		25				
9835804	55.404.050		2				
9837606	55.520.010		5				
9837606	88.055.070		9				
9837788	60.220.170		21				
9837788	60.220.180		26				
9838358	33.110.010		6				
9838669	39.100.030		8				
9838669	39.100.040		8				
9838996	60.220.170		5				
9838996	60.220.180		9				
9840045	33.110.020		18				
9840045	33.300.020		3				
9840045	33.300.090		14				
9840045	88.033.001	02	4				