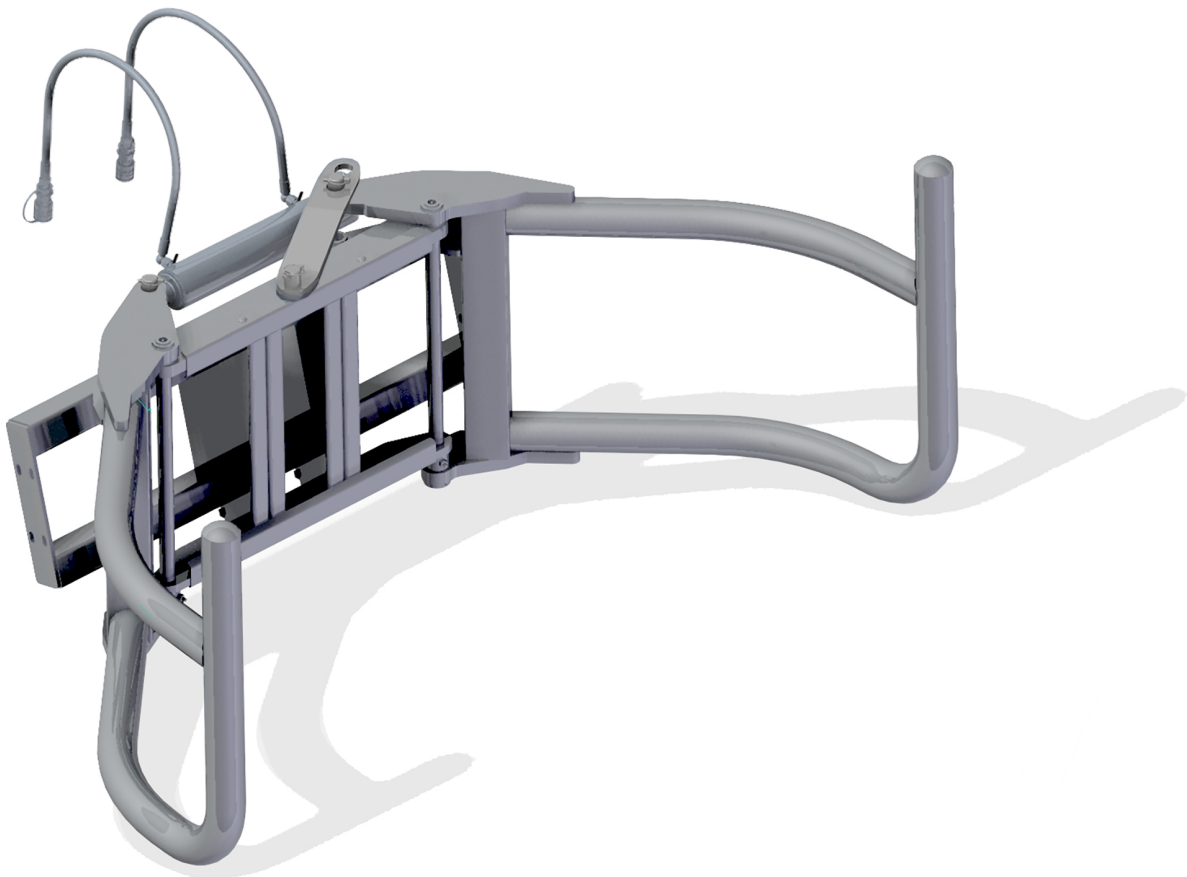


# Operator's Manual

Flexigrip

160 | 200



Original instructions - Bruksanvisning i original - Original Betriebsanleitung -  
Notice originale - Manual original - Instrukcja oryginalna -  
Original brugsanvisning - Alkuperäiset ohjeet - Original driftsinstruks



**Caution!**

Read through the entire instruction manual before you start to use the product.  
it contains important information for your safety.





## TABLE OF CONTENTS

<b>1. PREFACE.....</b>	<b>5</b>
1.1. General information.....	5
<b>2. SAFETY INSTRUCTIONS.....</b>	<b>6</b>
2.1. General information.....	6
2.1.1. Warning decals.....	6
2.2. Explanation of warning levels.....	7
2.2.1. Explanation of symbols.....	7
2.3. Supervision and users.....	7
2.3.1. Responsibility.....	7
<b>3. DESCRIPTION.....</b>	<b>10</b>
3.1. Definitions.....	10
3.1.1. 3rd service.....	10
3.1.2. ErgoDrive / ErgoDrive LCS.....	10
3.1.3. ElectroDrive CDC / ElectroDrive LCS / EasyDrive LCS.....	11
3.1.4. Hose kit.....	11
3.2. Tool carrier.....	11
<b>4. DRIVING INSTRUCTIONS.....</b>	<b>12</b>
4.0.1. Designated use.....	12
4.0.2. Fitting.....	12
4.1. Before operating the implement.....	14
4.1.1. Dump/Roll back the implement.....	15
4.1.2. Open/close the implement - EasyDrive LCS and ElectroDrive LCS.....	15
4.1.3. Open/close the implement - ErgoDrive LCS/ ErgoDrive.....	15
4.1.4. Opening/closing the implement - ElectroDrive CDC.....	15
4.1.5. Open/close the implement - Hose kit.....	15
4.1.6. Operating instructions.....	16
4.1.7. Parking the implement.....	16
<b>5. LUBRICATION AND MAINTENANCE.....</b>	<b>17</b>
5.1. Lubrication points.....	17
5.2. Storage.....	17
5.3. Hoses and cylinders.....	18
5.3.1. Checking the hydraulic connections.....	18
5.3.2. Repairing the hydraulic cylinders.....	18
<b>6. DATA.....</b>	<b>19</b>
6.1. Table of recommendations.....	19
<b>7. WARRANTY CONDITIONS.....</b>	<b>21</b>
EU Declaration of Conformity.....	21
UK DECLARATION OF CONFORMITY .....	22

## INNEHÅLLSFÖRTECKNING

<b>8. FÖRORD.....</b>	<b>23</b>
8.1. Allmän information.....	23
<b>9. SÄKERHETSINSTRUKTIONER.....</b>	<b>24</b>
9.1. Allmän information.....	24
9.1.1. Varningsdekaler.....	24
9.2. Förklaring av varningsnivåer.....	25
9.2.1. Symbolförklaring.....	25
9.3. Arbetsledning och brukare.....	25

9.3.1. Ansvar.....	25
<b>10. BESKRIVNING.....</b>	<b>28</b>
10.1. Definitioner.....	28
10.1.1. 3:e funktion.....	28
10.1.2. ErgoDrive / ErgoDrive LCS.....	28
10.1.3. ElectroDrive CDC / ElectroDrive LCS / EasyDrive LCS.....	29
10.1.4. Slangsats.....	29
10.2. Redskapsfästen.....	29
<b>11. KÖRINSTRUKTIONER.....</b>	<b>30</b>
11.0.1. Avsedd användning.....	30
11.0.2. Montering.....	30
11.1. Att göra innan användning av redskapet.....	32
11.1.1. Tömma/bryta upp redskap.....	33
11.1.2. Öppna/stänga redskapet - EasyDrive LCS och ElectroDrive LCS.....	33
11.1.3. Öppna/stänga redskapet - ErgoDrive LCS/ ErgoDrive.....	33
11.1.4. Öppna/stänga redskapet - ElectroDrive CDC.....	33
11.1.5. Öppna/stänga redskapet - Slangsats.....	33
11.1.6. Körinstruktion.....	34
11.1.7. Vid avställning.....	34
<b>12. SMÖRJNING OCH UNDERHÅLL.....</b>	<b>35</b>
12.1. Smörjpunkter.....	35
12.2. Förvaring.....	35
12.3. Slangar och cylindrar.....	36
12.3.1. Kontroll av hydraulanslutningar.....	36
12.3.2. Reparation av hydraulcylindrar.....	36
<b>13. DATA.....</b>	<b>37</b>
13.1. Rekommendationstabell.....	37
<b>14. GARANTIBESTÄMMELSER.....</b>	<b>38</b>
EG-försäkran om överensstämmelse.....	38
UK DECLARATION OF CONFORMITY .....	39

## INHALT

<b>15. VORWORT.....</b>	<b>40</b>
15.1. Allgemeine Informationen.....	40
<b>16. SICHERHEITSANWEISUNGEN.....</b>	<b>41</b>
16.1. Allgemeine Informationen.....	41
16.1.1. Warnschilder.....	41
16.2. Erklärung der Warnstufen.....	42
16.2.1. Symbolerklärung.....	42
16.3. Arbeitsleitung und Bediener.....	43
16.3.1. Verantwortung.....	43
<b>17. BESCHREIBUNG.....</b>	<b>46</b>
17.1. Definitionen.....	46
17.1.1. 3. Funktion.....	46
17.1.2. ErgoDrive / ErgoDrive LCS.....	46
17.1.3. ElectroDrive CDC / ElectroDrive LCS / EasyDrive LCS.....	47
17.1.4. Schlauch-satz.....	47
17.2. Gerätehalterungen.....	47
<b>18. FAHRANWEISUNGEN.....</b>	<b>48</b>

18.0.1. Verwendungszweck.....	48
18.0.2. Montage.....	48
18.1. Inbetriebnahme des Geräts.....	50
18.1.1. Gerät ankippen / abkippen.....	51
18.1.2. Gerät öffnen/schließen - EasyDrive LCS und ElectroDrive LCS.....	51
18.1.3. Gerät öffnen/schließen - ErgoDrive LCS/ ErgoDrive.....	51
18.1.4. Gerät öffnen/schließen - ElectroDrive CDC.....	51
18.1.5. Gerät öffnen/schließen - Schlauchsatz.....	52
18.1.6. Fahrweisung.....	52
18.1.7. Abstellung.....	52

## **19. SCHMIERUNG UND WARTUNG..... 53**

19.1. Schmierpunkte.....	53
19.2. Aufbewahrung.....	53
19.3. Schläuche und Zylinder.....	54
19.3.1. Überprüfung von Hydraulikanschlüssen.....	54
19.3.2. Reparatur von Hydraulikzylindern.....	54

## **20. TECHNISCHE DATEN..... 55**

20.1. Tabelle mit Empfehlungen.....	55
-------------------------------------	----

## **21. GARANTIEBEDINGUNGEN..... 56**

EU-Konformitätserklärung.....	56
UK DECLARATION OF CONFORMITY .....	57

## **SOMMAIRE**

### **22. PRÉFACE..... 58**

22.1. Autres informations.....	58
--------------------------------	----

### **23. CONSIGNES DE SÉCURITÉ..... 59**

23.1. Autres informations.....	59
23.1.1. Autocollants de mise en garde.....	59
23.2. Explication des niveaux de mise en garde.....	60
23.2.1. Explication des symboles.....	60
23.3. Encadrement et utilisateurs.....	60
23.3.1. Responsabilité.....	60

### **24. DESCRIPTION..... 64**

24.1. Définitions.....	64
24.1.1. 3ème fonction hydraulique.....	64
24.1.2. ErgoDrive / ErgoDrive LCS.....	64
24.1.3. ElectroDrive CDC / ElectroDrive LCS / EasyDrive LCS.....	65
24.1.4. Jeu de flexibles.....	65
24.2. Porte-outil.....	65

### **25. INSTRUCTIONS DE CONDUITE..... 66**

25.0.1. Utilisation prévue.....	66
25.0.2. Montage.....	66
25.1. Avant la mise en service de l'outil.....	68
25.1.1. Fonction bennage/cavage.....	69
25.1.2. Pour ouvrir/fermer l'outil - EasyDrive LCS et ElectroDrive LCS.....	69
25.1.3. Ouvrir/fermer l'outil - ErgoDrive LCS/ ErgoDrive.....	69
25.1.4. Pour ouvrir/fermer l'outil - ElectroDrive CDC.....	69
25.1.5. Pour ouvrir/fermer l'outil - Jeu de flexibles.....	70
25.1.6. Utilisation.....	70
25.1.7. Stationnement de l'outil.....	70

## **26. LUBRIFICATION ET ENTRETIEN..... 71**

26.1. Points de graissage.....	71
26.2. Rangement.....	71
26.3. Flexibles et vérins.....	72
26.3.1. Contrôle des raccords hydrauliques.....	72
26.3.2. Réparation des vérins hydrauliques.....	72

## **27. CARACTÉRISTIQUES**

### **TECHNIQUES..... 73**

27.1. Tableau de recommandations.....	73
---------------------------------------	----

## **28. CONDITIONS DE GARANTIE..... 75**

Attestation de conformité UE.....	75
UK DECLARATION OF CONFORMITY .....	76

## **ÍNDICE**

### **29. INTRODUCCIÓN..... 77**

29.1. Información general.....	77
--------------------------------	----

### **30. INSTRUCCIONES DE**

#### **SEGURIDAD..... 78**

30.1. Información general.....	78
30.1.1. Pegatinas de advertencia.....	78
30.2. Explicación de los niveles de advertencia.....	79
30.2.1. Explicación de símbolos.....	79
30.3. Supervisión y usuarios.....	79
30.3.1. Responsabilidad.....	79

### **31. DESCRIPCIÓN..... 83**

31.1. Definiciones.....	83
31.1.1. 3ª función.....	83
31.1.2. ErgoDrive / ErgoDrive LCS.....	83
31.1.3. ElectroDrive CDC / ElectroDrive LCS / EasyDrive LCS.....	84
31.1.4. Juego de mangueras.....	84
31.2. Fijaciones de implemento.....	84

### **32. INSTRUCCIONES DE**

#### **OPERACIÓN..... 85**

32.0.1. Usos específicos.....	85
32.0.2. Montaje.....	85
32.1. Efectuar antes de utilizar el implemento.....	87
32.1.1. Vaciado/inclinación hacia arriba del implemento.....	88
32.1.2. Abrir/cerrar el implemento - EasyDrive LCS y ElectroDrive LCS.....	88
32.1.3. Abrir/cerrar el implemento - ErgoDrive LCS/ ErgoDrive.....	88
32.1.4. Abrir/cerrar el implemento - ElectroDrive CDC.....	88
32.1.5. Abrir/cerrar el implemento - Juego de mangueras.....	89
32.1.6. Instrucciones de operación.....	89
32.1.7. Para desacoplarlo.....	89

### **33. LUBRICACIÓN Y**

#### **MANTENIMIENTO..... 90**

33.1. Puntos de lubricación.....	90
33.2. Almacenamiento.....	90
33.3. Mangueras y cilindros.....	91



33.3.1. Control de las conexiones hidráulicas.....	91
33.3.2. Reparación de los cilindros hidráulicos.....	91
<b>34. DATOS.....</b>	<b>92</b>
34.1. Tabla de recomendaciones.....	92
<b>35. CONDICIONES DE GARANTÍA.....</b>	<b>93</b>
Declaración de conformidad CE.....	93
UK DECLARATION OF CONFORMITY .....	94

## SPIS TREŚCI

<b>36. WSTĘP.....</b>	<b>95</b>
36.1. Informacje ogólne.....	95
<b>37. INSTRUKCJA BEZPIECZEŃSTWA.....</b>	<b>96</b>
37.1. Informacje ogólne.....	96
37.1.1. Naklejki ostrzegawcze.....	96
37.2. Objasnienie poziomów ostrzeżeń.....	97
37.2.1. Objasnienie symboli.....	97
37.3. Dotyczy kierownictwa i użytkowników.....	98
37.3.1. Odpowiedzialność.....	98
<b>38. OPIS.....</b>	<b>101</b>
38.1. Definicje.....	101
38.1.1. Funkcja nr 3.....	101
38.1.2. ErgoDrive / ErgoDrive LCS.....	101
38.1.3. ElectroDrive CDC / ElectroDrive LCS / EasyDrive LCS.....	102
38.1.4. Zestaw przewodów giętkich.....	102
38.2. Mocowania osprzętu.....	102
<b>39. INSTRUKCJA UŻYTKOWANIA.....</b>	<b>103</b>
39.0.1. Przewidziane zastosowania.....	103
39.0.2. Montaż.....	103
39.1. Czynności do wykonania przed rozpoczęciem użytkowania osprzętu.....	105
39.1.1. Opróżnianie/podnoszenie osprzętu.....	106
39.1.2. Otwieranie/zamykanie osprzętu – EasyDrive LCS i ElectroDrive LCS.....	106
39.1.3. Otwieranie/zamykanie osprzętu - ErgoDrive LCS/ ErgoDrive.....	106
39.1.4. Otwieranie/zamykanie osprzętu – ElectroDrive CDC.....	106
39.1.5. Otwieranie/zamykanie osprzętu - Zespól przewodów giętkich.....	107
39.1.6. Instrukcja użytkowania.....	107
39.1.7. Przy odstawianiu.....	107
<b>40. SMAROWANIE I KONSERWACJA..</b>	<b>108</b>
40.1. Punkty smarowania.....	108
40.2. Przechowywanie.....	108
40.3. Przewody giętkie i siłowniki.....	109
40.3.1. Kontrola połączeń hydraulicznych.....	109
40.3.2. Naprawa siłowników hydraulicznych.....	109
<b>41. DANE.....</b>	<b>110</b>
41.1. Tabela zaleceń.....	110
<b>42. POSTANOWIENIA GWARANCYJNE.....</b>	<b>111</b>
Deklaracja zgodności WE.....	111

UK DECLARATION OF CONFORMITY .....	112
------------------------------------	-----

## INDHOLDSFORTEGNELSE

<b>43. FORORD.....</b>	<b>113</b>
43.1. Generel information.....	113
<b>44. SIKKERHEDSVEJLEDNING.....</b>	<b>114</b>
44.1. Generel information.....	114
44.1.1. Advarselsmærkater.....	114
44.2. Forklaring af advarselsniveauer.....	115
44.2.1. Symbolforklaring.....	115
44.3. Arbejdsledelse og brugere.....	115
44.3.1. Ansvar.....	115
<b>45. BESKRIVELSE.....</b>	<b>118</b>
45.1. Definitioner.....	118
45.1.1. 3. funktion.....	118
45.1.2. ErgoDrive / ErgoDrive LCS.....	118
45.1.3. ElectroDrive CDC / ElectroDrive LCS / EasyDrive LCS.....	119
45.1.4. Slangesæt.....	119
45.2. Redskabsbeslag.....	119
<b>46. ANVENDELSESVEJLEDNING.....</b>	<b>120</b>
46.0.1. Korrekt brug.....	120
46.0.2. Montering.....	120
46.1. Ting, der skal gøres, inden redskabet anvendes...122	
46.1.1. Tømning/opadvipning af redskab.....	123
46.1.2. Åbne/lukke redskabet - EasyDrive LCS og ElectroDrive LCS.....	123
46.1.3. Åbne/lukke redskabet - ErgoDrive LCS/ ErgoDrive.....	123
46.1.4. Åbne/lukke redskabet - ElectroDrive CDC.....	123
46.1.5. Åbning/lukning af redskabet - slangesæt.....	123
46.1.6. Anvendelsesvejledning.....	124
46.1.7. Ved afsætning.....	124
<b>47. SMØRING OG VEDLIGEHOLDELSE.....</b>	<b>125</b>
47.1. Smøresteder.....	125
47.2. Opbevaring.....	125
47.3. Slinger og cylindre.....	126
47.3.1. Kontrol af hydrauliktillutninger.....	126
47.3.2. Reparation af hydraulikcylindre.....	126
<b>48. DATA.....</b>	<b>127</b>
48.1. Tabel over anbefalinger.....	127
<b>49. GARANTIBESTEMMELSER.....</b>	<b>128</b>
EF-overensstemmelseserklæring.....	128
UK DECLARATION OF CONFORMITY .....	129
<b>SISÄLLYSLUETTELO</b>	
<b>50. JOHDANTO.....</b>	<b>130</b>
50.1. Yleistä.....	130
<b>51. TURVALLISUUSOHJEET.....</b>	<b>131</b>
51.1. Yleistä.....	131
51.1.1. Varoitustarrat.....	131
51.2. Varoitustasojen selitys.....	132

51.2.1. Symbolien selostus.....	132	59.2. Redskapsfester.....	153
51.3. Työnjohto ja käyttäjät.....	132	<b>60. KJØREINSTRUKSJONER.....</b>	<b>154</b>
51.3.1. Vastuu.....	132	60.0.1. Tiltent bruk.....	154
<b>52. KUVAAUS.....</b>	<b>135</b>	60.0.2. Montering.....	154
52.1. Määritelmät.....	135	60.1. Klargjøring av redskap for bruk.....	156
52.1.1. 3. toiminto.....	135	60.1.1. Tømme/bryte opp redskap.....	157
52.1.2. ErgoDrive / ErgoDrive LCS.....	135	60.1.2. Åpne/stenge redskapet – EasyDrive LCS og ElectroDrive LCS.....	157
52.1.3. ElectroDrive CDC / ElectroDrive LCS / EasyDrive LCS.....	136	60.1.3. Åpne/stenge redskapet - ErgoDrive LCS/ ErgoDrive.....	157
52.1.4. Letkusarja.....	136	60.1.4. Åpne/stenge redskapet – ElectroDrive CDC... 157	
52.2. Työvälineevyt.....	136	60.1.5. Åpne/stenge redskapet – Slangesett.....	157
<b>53. KÄYTTÖOHJEET.....</b>	<b>137</b>	60.1.6. Kjøreinstruksjon.....	158
53.0.1. Tarkoitettu käyttö.....	137	60.1.7. Ved utkobling.....	158
53.0.2. Asennus.....	137	<b>61. SMØRING OG VEDLIKEHOLD.....</b>	<b>159</b>
53.1. Valmistelut ennen työlaitteen käyttöä.....	139	61.1. Smørepunkter.....	159
53.1.1. Varusteen tyhjennys/avaus.....	140	61.2. Oppbevaring.....	159
53.1.2. Avaa/sulje työväline - EasyDrive LCS ja ElectroDrive LCS.....	140	61.3. Slinger og sylindere.....	160
53.1.3. Avaa/sulje työväline - ErgoDrive LCS/ ErgoDrive.....	140	61.3.1. Kontroll av hydraulikktilkoblinger.....	160
53.1.4. Työvälineen avaaminen/sulkeminen - ElectroDrive CDC.....	140	61.3.2. Reparasjon av hydraulikksylindere.....	160
53.1.5. Työvälineen avaaminen/sulkeminen - Letkusarja.....	141	<b>62. DATA.....</b>	<b>161</b>
53.1.6. Käyttöohje.....	141	62.1. Anbefalingstabell.....	161
53.1.7. Irrottaminen.....	141	<b>63. GARANTIBESTEMMELSER.....</b>	<b>162</b>
<b>54. VOITELU JA HUOLTO.....</b>	<b>142</b>	EU-deklarasjon om overensstemmelse.....	162
54.1. Voitelukohtat.....	142	UK DECLARATION OF CONFORMITY .....	163
54.2. Säilytys.....	142		
54.3. Letkut ja sylinterit.....	143		
54.3.1. Hydrauliliitäntöjen tarkastus.....	143		
54.3.2. Hydraulisylinterien korjaus.....	143		
<b>55. TIEDOT.....</b>	<b>144</b>		
55.1. Suositustaulukko.....	144		
<b>56. TAKUUMÄÄRÄYKSET.....</b>	<b>145</b>		
EY-vaatimustenmukaisuusvakuutus.....	145		
UK DECLARATION OF CONFORMITY .....	146		

## INNHOLDSFORTEGNELSE

<b>57. FORORD.....</b>	<b>147</b>
57.1. Generell informasjon.....	147
<b>58. SIKKERHETSINSTRUKSJONER.....</b>	<b>148</b>
58.1. Generell informasjon.....	148
58.1.1. Varselskilt.....	148
58.2. Forklaring av farenivåer.....	149
58.2.1. Symbolforklaring.....	149
58.3. Arbeidsledelse og brukere.....	149
58.3.1. Ansvar.....	149
<b>59. BESKRIVELSE.....</b>	<b>152</b>
59.1. Definisjoner.....	152
59.1.1. 3. funksjon.....	152
59.1.2. ErgoDrive / ErgoDrive LCS.....	152
59.1.3. ElectroDrive CDC / ElectroDrive LCS / EasyDrive LCS.....	153
59.1.4. Slangesett.....	153



## 2. SAFETY INSTRUCTIONS

### 2.1. General information

Driver safety is one of the most important matters when a new implement is designed. The designer builds in as many safety functions as possible. Several accidents occur every year which could have been avoided by taking a few seconds of consideration, and through more careful operation of the implement.

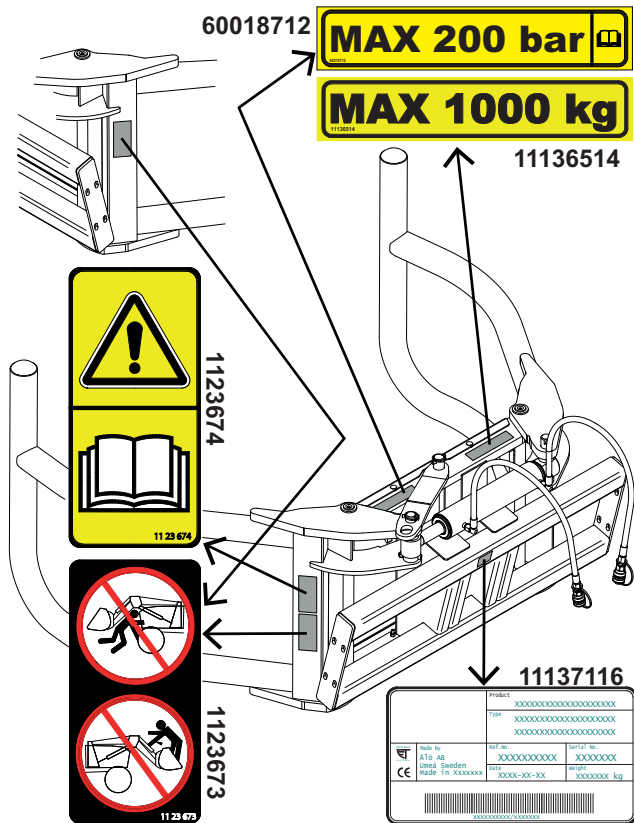
Avoid personal injury. Read the following personal safety instructions and insist that everybody who works with you, or for you, also complies with the instructions.

#### 2.1.1. Warning decals

Warning decals are fitted in different locations on the attachment. Locate, read and find out what the decals mean before loader and implement are used.

- Do not cover or remove any of the warning decals. If a warning decal is missing or illegible, replace it with a new decal. New warning decals are available from your dealer.

Fig.4 Location of warning decals and machine plate.



## 2.2. Explanation of warning levels

When you see the safety symbol and the signal words on decals or in the instruction manual, the instructions **MUST** be followed since they are related to your own personal safety.

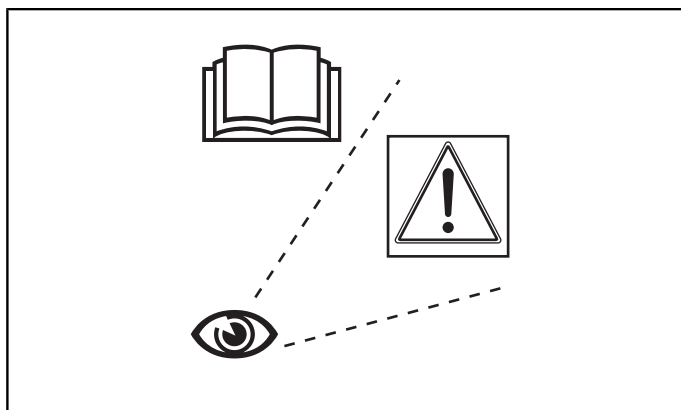



Fig.5 Locate, read and find out what the decals mean before the loader and implement are used.


### 2.2.1. Explanation of symbols

Safety symbol. Information adjacent to this symbol refers to your personal safety and must be observed.


---

 **Danger!**  
Means an immediately dangerous situation which, if not avoided, will lead to death or serious personal injury. (North America only)

---

 **Warning!**  
Means that an accident could occur if the instruction is not followed. The accident might lead to serious personal injury or death.

---

 **Caution!**  
Means that an accident could occur if the instruction is not followed. An accident could lead to personal injury.

---

The following texts and instructions do not refer to personal safety, but are used consistently in the instruction manual, to provide tips about operation or service of the implement.


**Important!** Means that an accident could occur if the instruction is not followed. The accident might lead to damage to the property or to the process, or personal injury.

*Note.* Refers to extra information which could facilitate the understanding or implementation of a certain task.

## 2.3. Supervision and users

### 2.3.1. Responsibility

---

 **Caution!**  
Always store this instruction manual as well as the tractor's own instruction manual in the tractor.

---

- If there is no instruction manual included with the tractor then obtain one from the reseller before fitting and using the loader and the attachment.
- Read through all material carefully and learn how to use the equipment in a safe and correct manner.



Fig.6 Safety symbol.

**Warning!**  
Do NOT use the loader or the attachment as a working platform.

**Warning!**  
Only use the attachment for the intended application area.

**Warning!**  
Do not grip objects that extend the centre of gravity to a significant extent. This can lead to instability.

**Warning!**  
Do NOT use the loader to lift or transport people.

- Only qualified individuals are permitted to operate the machine.

**Warning!**  
Always check the machine's surroundings and ensure that all individuals, especially children and animals have moved away before starting or driving the machine.

You may not hear any shouting to attract your attention from individuals on the outside when you are sitting in the cab with the door closed.

**Danger!**  
To prevent serious injury or death from crushing: Keep all individuals and objects clear while any part of this machine is in motion.



Fig.7 Do NOT use the loader or the attachment as a working platform.



Fig.8 Do NOT use the loader or attachment to lift or transport people.



Fig.9 Before starting, make sure that no individuals are in the vicinity of the machine.

Familiarise yourself with the working area and terrain. Pay attention to vertical clearance and limitations that arise due to the increased reach.

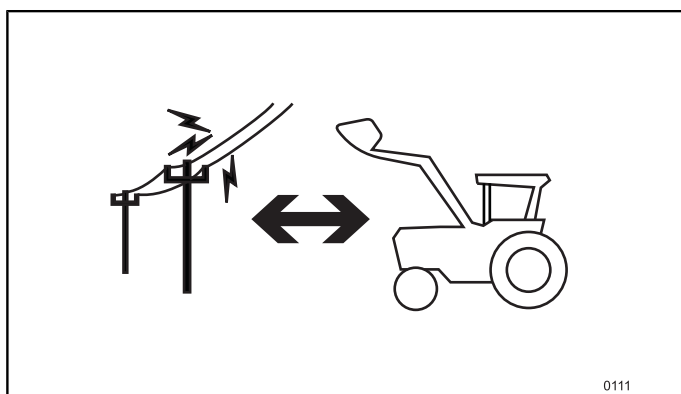


Fig.10 Familiarise yourself with the working area before starting. Maintain a safe distance from electrical cables and other obstructions.

**Warning!**  
Always look at the implement. Objects can fall or roll backwards onto the driver when the loader is raised. Only lift loads that are designed for each specific implement.

**Warning!**  
Always look at the implement. Objects can fall out during transport. Only transport loads that are designed for each specific implement.

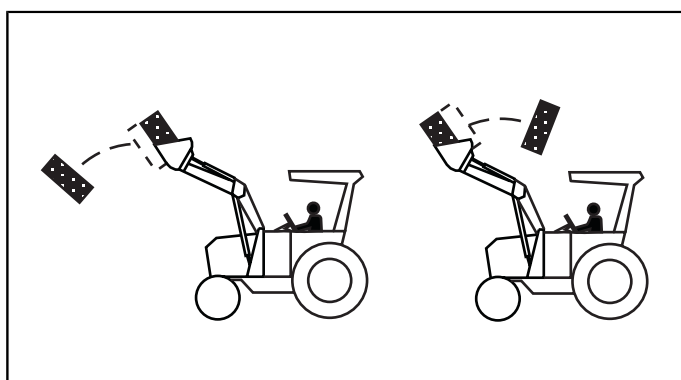


Fig.11 Always look at the implement. Objects can fall or roll backwards onto the driver when the loader is raised.

**Warning!**  
Never stand between the front of the tractor and the loader's cross tubes.

**Warning!**  
Risk of crushing and jamming  
The loader may fall downwards.  
Lower the loader/implement to the ground prior to lubrication.

**Warning!**  
When installing the hoses, check that these are long enough and that they do not get stuck between the tool carrier, the loader beam or the links. If necessary, adjust the couplings.

**Warning!**  
Pressurised oil.  
Hydraulic oil at high pressure can be injected into the body in the event of leakage and cause serious injury, blindness or fatality. Leakage may be invisible.  
Use approved protective safety glasses and protect the skin using strong leather gloves for example. Use cardboard or wood for leakage detection. If fluid has entered the skin then it **MUST** be removed within a couple of hours by a doctor who can treat this type of injury.



Fig.12 Never stand between the front of the tractor and the loader's cross tubes.



Fig.13 NEVER use fingers or hands for leakage detection.

### 3. DESCRIPTION

#### 3.1. Definitions

Following part is describing different accessories, that can be used together with the loader.

##### 3.1.1. 3rd service

Optional hydraulic function for operating the implement's hydraulics.

##### 3.1.2. ErgoDrive / ErgoDrive LCS

The ErgoDrive system is composed of a control valve and mechanical joystick as well as hydraulic connections and control cables for specified tractor models.

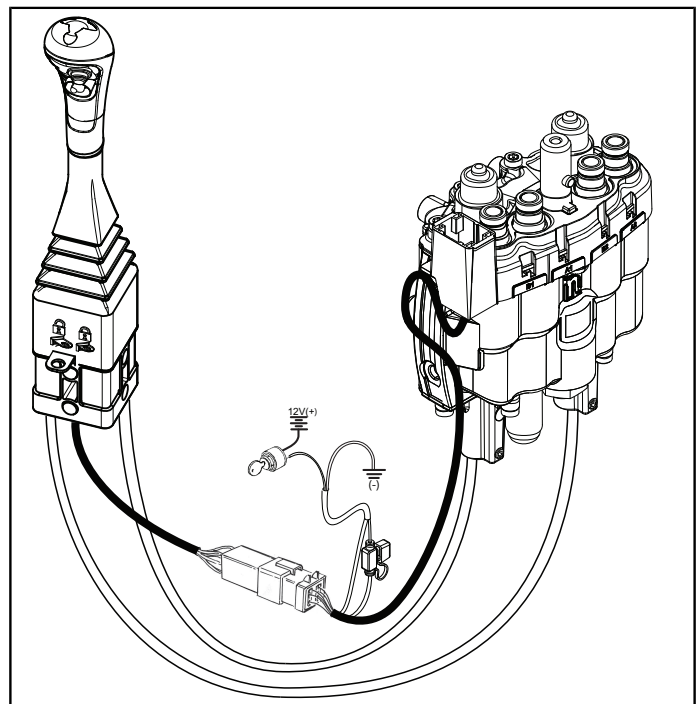
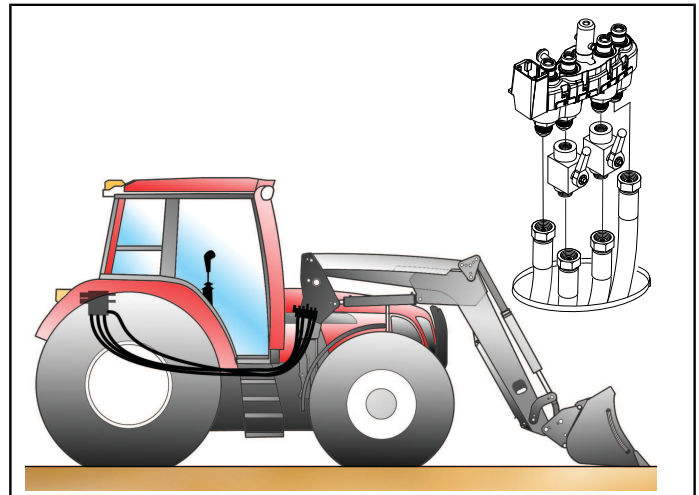


Fig.14 ErgoDrive



### 3.1.3. ElectroDrive CDC / ElectroDrive LCS / EasyDrive LCS

Installation kit as above but with an electrically operated valve and electronic joystick.

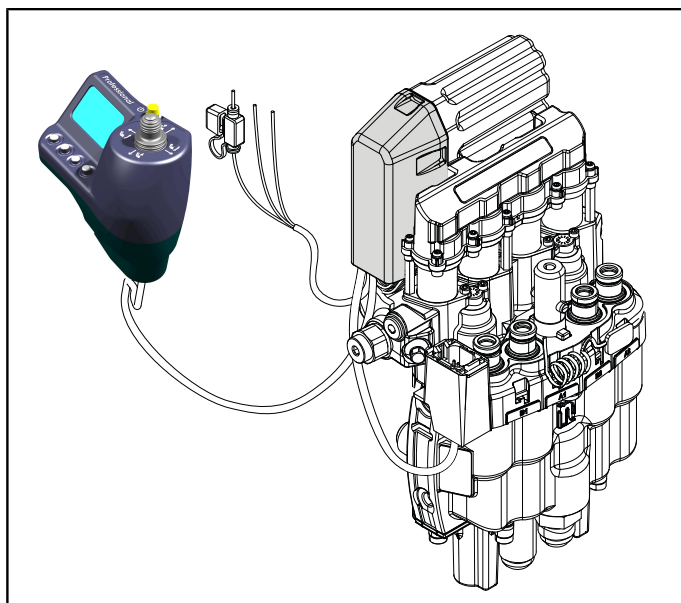


Fig.15 ElectroDrive

### 3.1.4. Hose kit

Hoses and hydraulic components for connecting the loader to the tractor's original valve.

Fig.16 Hose kit

## 3.2. Tool carrier

The implement can be equipped with various types of implement hook, depending on the loader's/base machine's attachment. There are various attachment systems for the hooks, e.g. welded or various bolted systems. For information about which implement hooks are available, contact Ålö AB. Take care to ensure that the implement hook is compatible with the loader's/base machine's attachment system. **Never improvise or adapt!**

Ensure that the implement is locked correctly according to the loader's/base machine's and the implement carrier's current instructions prior to use.

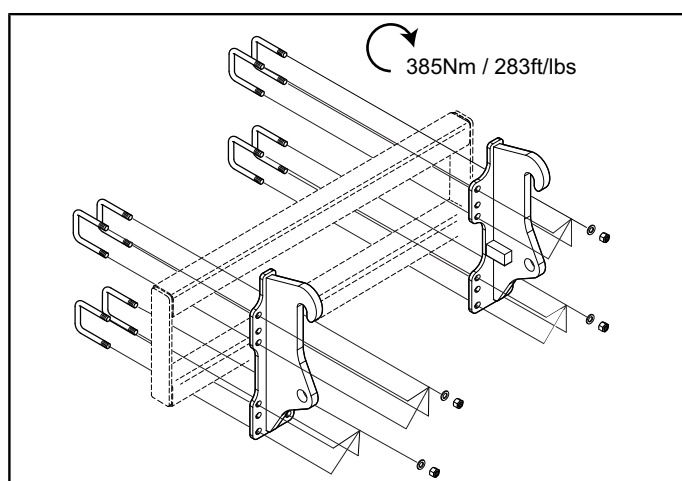


Fig.17 The implement can be equipped with various types of implement hook.

## 4. DRIVING INSTRUCTIONS

### 4.0.1. Designated use

The attachment is equipped with two grip arms that are used to carry the material. Transport the material as low as possible. The main application area is the handling of:

Lower the loader as far as possible when moving. Keep in mind that the higher you lift the loader, the higher the centre of gravity, resulting in increased risk of the tractor overturning.

### 4.0.2. Fitting

The attachment is supplied partly fitted.

The cylinder is supplied in the accompanying accessories box. Attachments and hoses between the implement and operating machine are supplied in separate kits. The cylinder (1) is fitted with the oil connections backwards. The pins (2) are locked with screws (3) as shown. The cylinder bearings are lubricated prior to fitting the pins.

The right or left grip arm movement can be limited using the strut (1). The strut is fitted between the frame and the pin. With the strut fitted, the bales can be stacked closer together. When handling bales of 120cm diameter, two further holes in the strut should be used (applicable to Flexigrip 160).

#### Back Stop

Som en extra säkerhetsåtgärd kan man montera en s.k. Back Stop. Denna hindrar balar från att rulla bakåt över traktorföraren. Den finns att beställa som tillbehör.

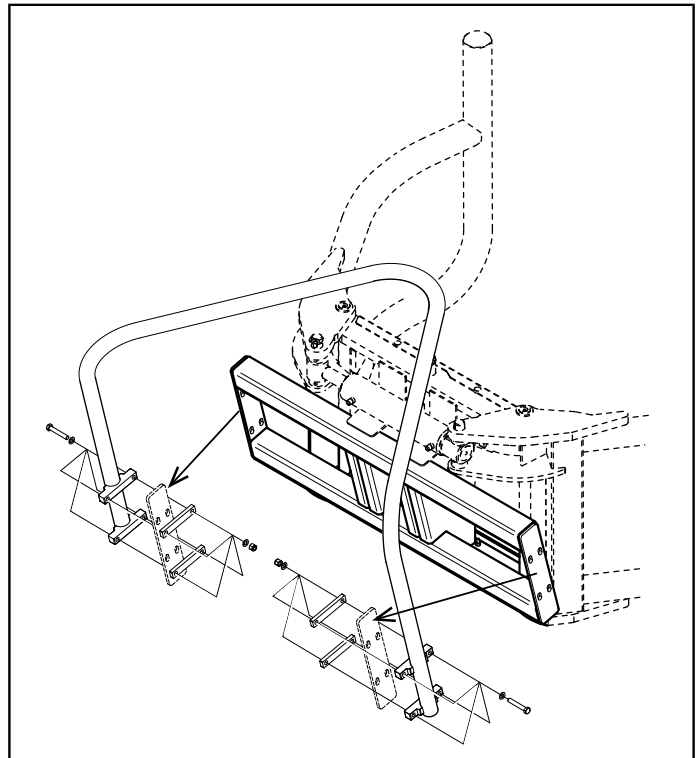


Fig.18 Fitting the hose kit.

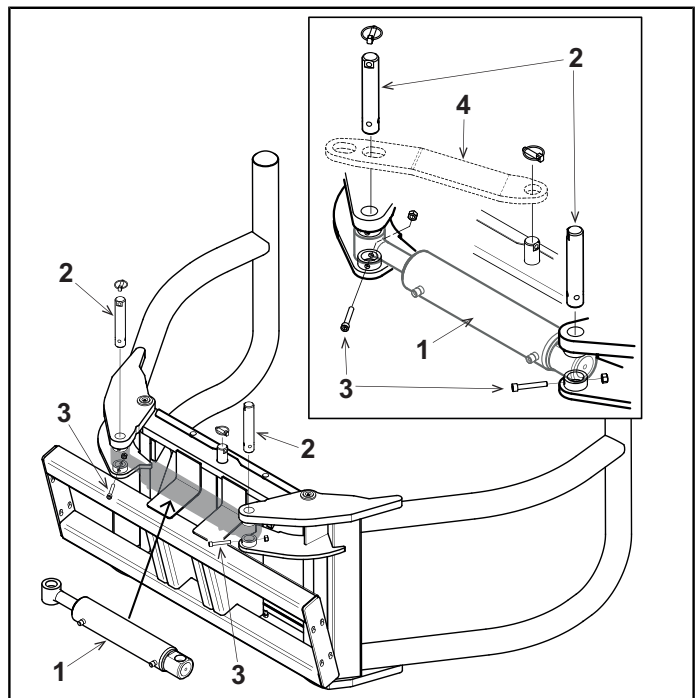


Fig.19 Fitting the cylinder and the restriction brace.

Fig.20 Fitting the BackStop

Hose kit

Connect the hose to the cylinder.

The hose connected to the cylinder's (+) is marked in red.

The hose connected to the cylinder's (-) is marked in blue.

The loader should be equipped with a double-acting oil return on the implement attachment.



**Warning!**

**When installing the hoses, check that these are long enough and that they do not get stuck between the tool carrier, the loader beam or the links. If necessary, adjust the couplings.**

The Attachment set is order separately from your dealer. Fit the attachment set as shown in supplied instruction.

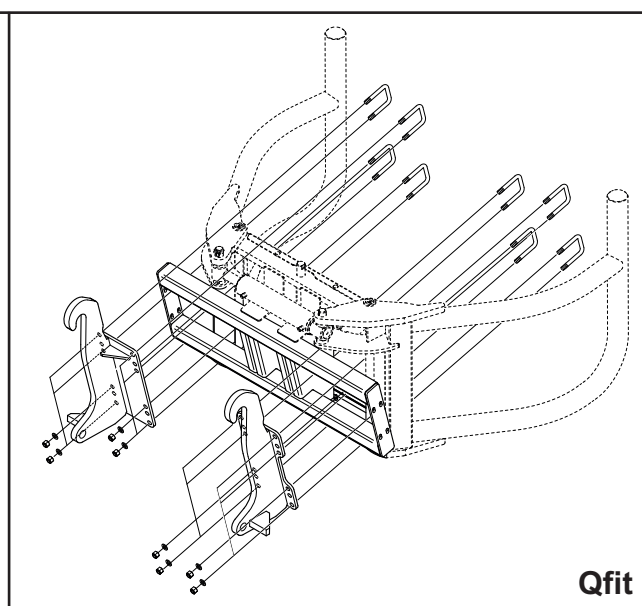
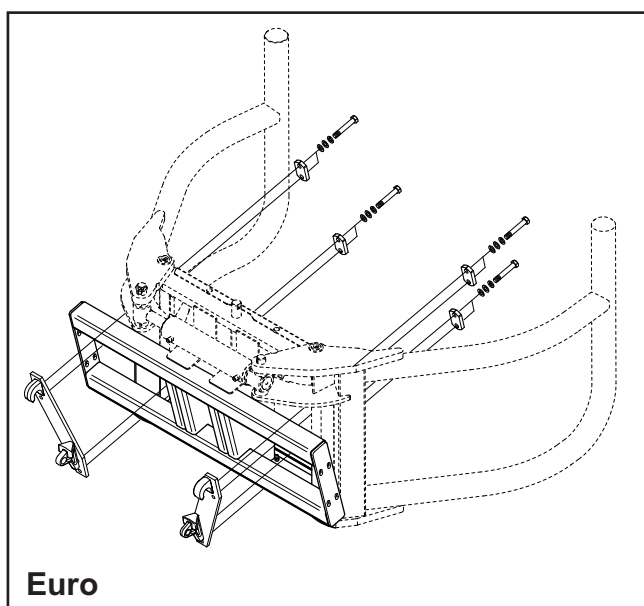
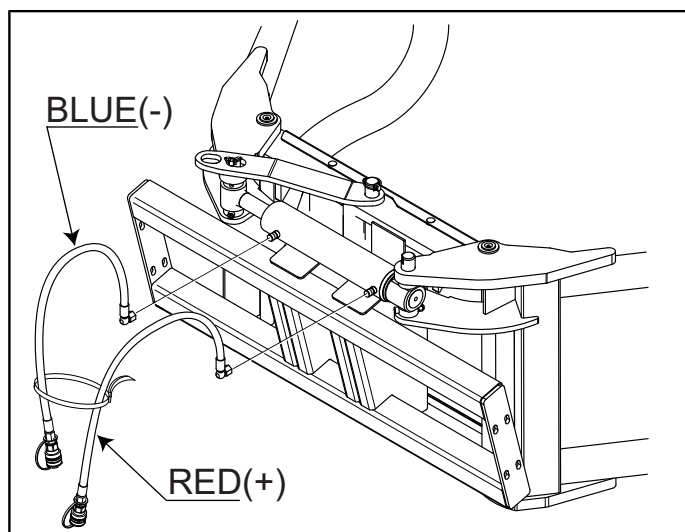


Fig.21 Example of fitting the attachment.

## 4.1. Before operating the implement

Check with caution that:

1. The hose connected to the cylinder's (+) side has red marking, and the implement moves in accordance with the open/close description.
2. There is no leakage of hydraulic oil.
3. The implement is correctly fitted and that the pins are in the locked position. Press the tip of the implement against the ground (1) to check that the implement is firmly fixed (2).

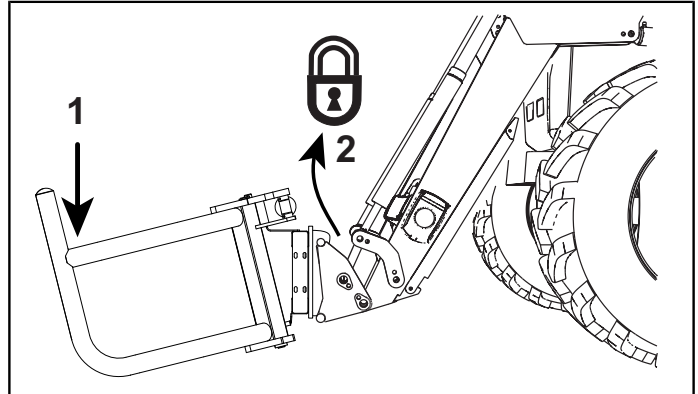


Fig.22 Check that the implement is secured by pressing its front end against the ground.

4. There is no risk of collision between loader and attachment (see illustration).
5. Lubricate the implement sufficiently 5. *Lubrication and maintenance.*

See also the chapter "Connection and disconnection of the implement" in the loader operating manual.

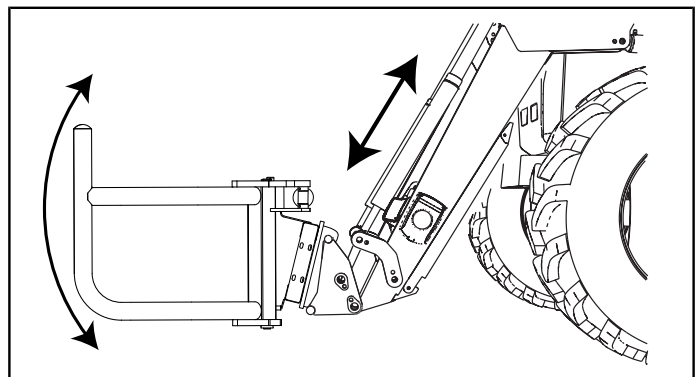


Fig.23 Check carefully that there is no risk of collision between loader and implement.



**Warning!**  
Do NOT stand, walk or work under a lifted loader. Make sure that you keep individuals, especially children and animals, away from the working area.



Fig.24 Do NOT stand, walk or work under a lifted loader.

### 4.1.1. Dump/Roll back the implement

Right-hand fitting: Move the lever to the left (4) to roll back the implement.

Move the lever to the right (5) to dump the implement.

*Note.* With left-hand mounting, the movements will be reversed. (This does not apply to EasyDrive LCS and ElectroDrive LCS which only have right-hand mounting.)

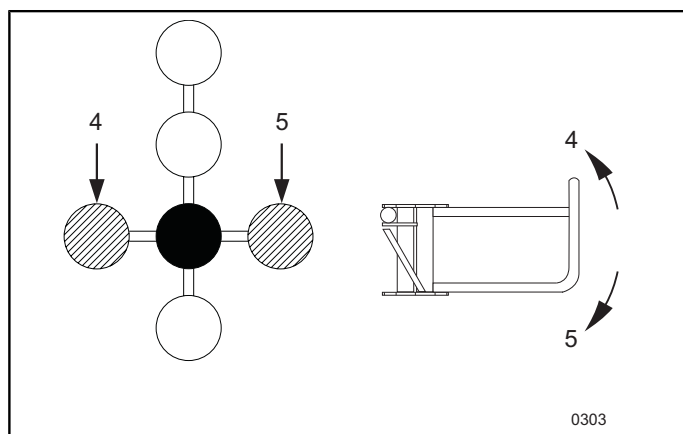


Fig.25 Dump/Roll back the implement

### 4.1.2. Open/close the implement - EasyDrive LCS and ElectroDrive LCS

To open and close the implement, use the third hydraulic function which is controlled by switch F2.

When the lever is moved to the right (5) the implement is opened, and when moved to the left (4) the implement is closed (right-hand fitting).

*Note.* When the switch for the third hydraulic service is released then the control immediately returns to the dump/roll back function.

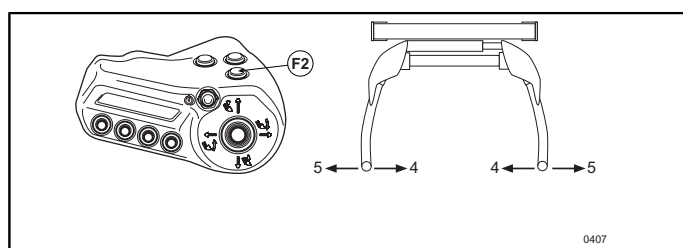


Fig.26 Open/close the implement - EasyDrive LCS and ElectroDrive LCS

### 4.1.3. Open/close the implement - ErgoDrive LCS/ErgoDrive

To open and close the implement, use the third hydraulic function which is controlled with a switch (A) on the front of the joystick control.

When the lever is moved to the right (5) the implement is opened, and when moved to the left (4) the implement is closed (right-hand fitting).

The movements are reversed for left-hand fitting.

*Note.* When the switch for the third hydraulic service is released then the control immediately returns to the dump/roll back function.

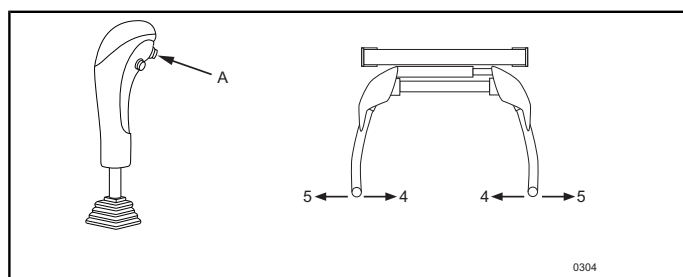


Fig.27 Open/close the implement - ErgoDrive LCS/ErgoDrive

### 4.1.4. Opening/closing the implement - ElectroDrive CDC

To open and close the implement, use the third hydraulic service which is controlled by switch P2.

When the lever is moved to the right (5) the implement is opened, and when moved to the left (4) the implement is closed (right-hand fitting).

The movements are reversed for left-hand fitting.

When the switch for the third hydraulic service is released then the control immediately returns to the dump/roll back function.

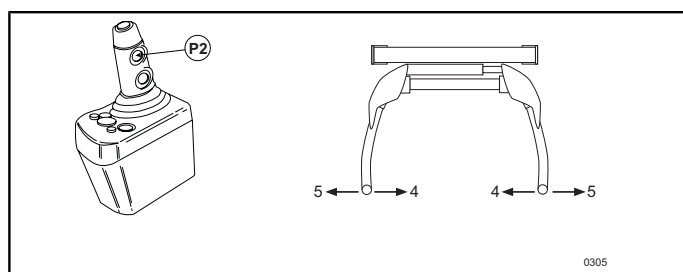


Fig.28 Opening/closing the implement - ElectroDrive CDC

### 4.1.5. Open/close the implement - Hose kit

Hose kit - tractor Joystick, see the instruction manual for the tractor.

### 4.1.6. Operating instructions

To avoid damage to the plastic, the upper section of the grip arm should be placed at the same level as the upper edge of the bale. Transport the bale horizontally - crowd it to vertical once at the loading/storage location.

*Note.* The bale should be turned at the lowest possible height as. For longer transportation distances, the grip can reduce, due to inner oil leakage in the loader's control valve, so that in the worst case scenario, the bale can be dropped. If this could be an issue, the implement can be equipped with a load holding valve (extra equipment).



**Warning!**  
For longer transportation distances, the grip can reduce, due to inner oil leakage in the loader's control valve, so that in the worst case scenario, the bale can be dropped.

To prevent "lost bales" caused by inner oil leakage, you can stop and increase the grip on the bale at regular intervals or the implement can be fitted with a load holding valve (extra equipment).

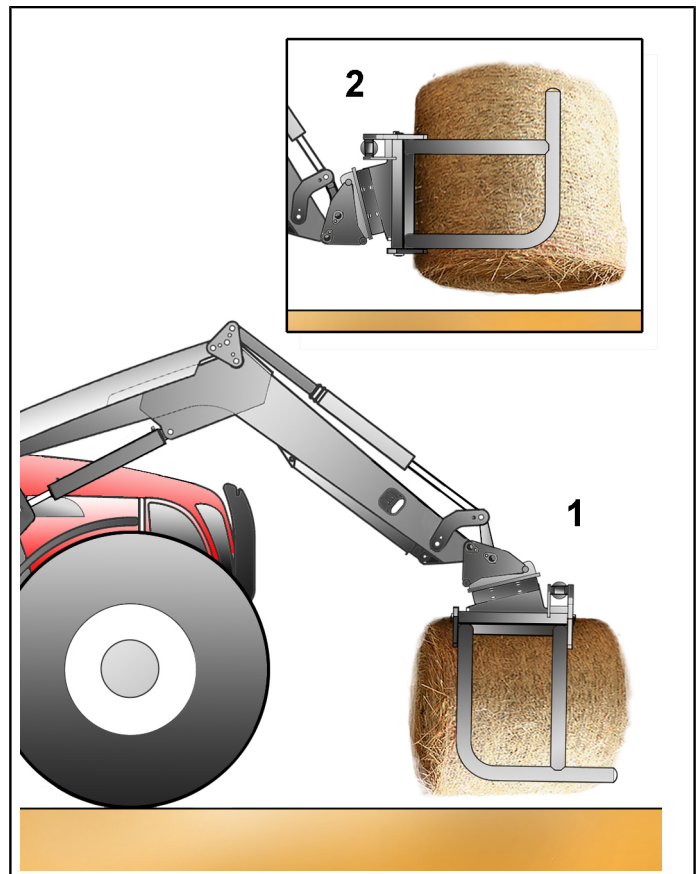


Fig.29 Transport the bale horizontally and at a low height (1) - crowd it to vertical once at the loading/storage location (2).

### 4.1.7. Parking the implement

Do not disconnect the cylinder from the implement at any of the end positions - difficulties may arise due to over-pressure, when the quick connections are to be connected.

See also the chapter "Connection and disconnection of the implement" in the loader operating manual.

## 5. LUBRICATION AND MAINTENANCE

**Warning!**  
 Never stand between the front of the tractor and the loader's cross tubes.



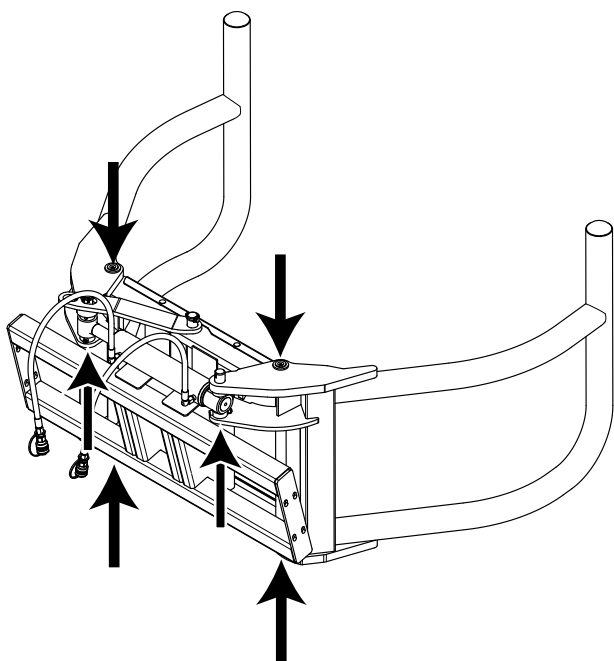
Fig.30 Never stand between the front of the tractor and the loader's cross tubes.

### 5.1. Lubrication points

All bearings are equipped with bushings, which normally only require lubrication once per month.

**Warning!**  
 Risk of crushing and jamming  
 The loader may fall downwards.  
 Lower the implement to the ground and close the attachment before starting to lubricate.

Fig.31 Lubrication points.



### 5.2. Storage

Apply a thin layer of grease on visible piston rods in order to protect them.

### 5.3. Hoses and cylinders

Read this before checking the hydraulic system for leakage:



**Warning!**  
**Pressurised oil.**

Hydraulic oil at high pressure can be injected into the body in the event of leakage and cause serious injury, blindness or fatality. Leakage may be invisible.

Use approved protective safety glasses and protect the skin using strong leather gloves for example. Use cardboard or wood for leakage detection. If fluid has entered the skin then it **MUST** be removed within a couple of hours by a doctor who can treat this type of injury.



*Fig.32 NEVER use fingers or hands for leakage detection.*

Check hoses and connections for wear and leakage at regular intervals. Ensure that hoses have sufficient clearance and do not scrape against other components. Replace damaged hoses and tighten all connections.

The cylinders are double-acting. They must always be maintained in good condition for optimal function. Leaks, internal or external, affect performance and may be dangerous.

In order for the implement to function optimally, it requires a hydraulic system that works at high pressure. Only use spare parts approved by the manufacturer.

#### 5.3.1. Checking the hydraulic connections

Check that all hoses and adapters are tightened and that they do not leak.

#### 5.3.2. Repairing the hydraulic cylinders

The removal, repair and fitting of the hydraulic cylinders require special tools to prevent damage to internal components. We recommend that a cylinder that needs repairing be sent to an authorised dealer to be fixed.



## 6. DATA

Model	160	200
Weight, without hooks	235 kg	260 kg
Ram	80 mm / 40 mm	80 mm / 40 mm
Bale size	120-160 cm	150-200 cm
Bale weight, max	1000 kg	1000 kg
Maximum working pressure	200bar / 20MPa *)	

\*) If the working pressure is greater than 200 bar, pressure restriction should be used. A pressure restriction kit is available to order as an accessory.

### 6.1. Table of recommendations

Loader model	Max load
X21	650 kg
X31, X41	750 kg
X51	800 kg
X26	950 kg
Q21 (+1.1), Q31 (+2.1), Q26 (+1.1P)	1000 kg
Q36 (+2.1P)	1000 kg
X36, Q33 (+2.3)	1000 kg
X46, Q41 (+3.1)	1000 kg
X56, Q51 (+4.1), Q38 (+2.3P), Q46 (+3.1P), Q49 (+3.4P)	1000 kg
Q56 (+4.1P)	1000 kg
Q48 (+3.3P)	1000 kg
Q61 (+5.1), Q58 (+4.3P)	1000 kg
Q66 (+5.1P)	1000 kg
Q68 (+5.3P), Q76 (+6.1P), Q78 (+6.3P), Q88 (+7.3P), Q98 (+8.3P)	1000 kg
Wheel loader/telescopic loader	1000 kg

**NORTH AMERICA ONLY !**

**Danger!**

Indicates an imminently hazardous situation which, if not avoided, will result in DEATH OR SERIOUS INJURY.

**Warning!**

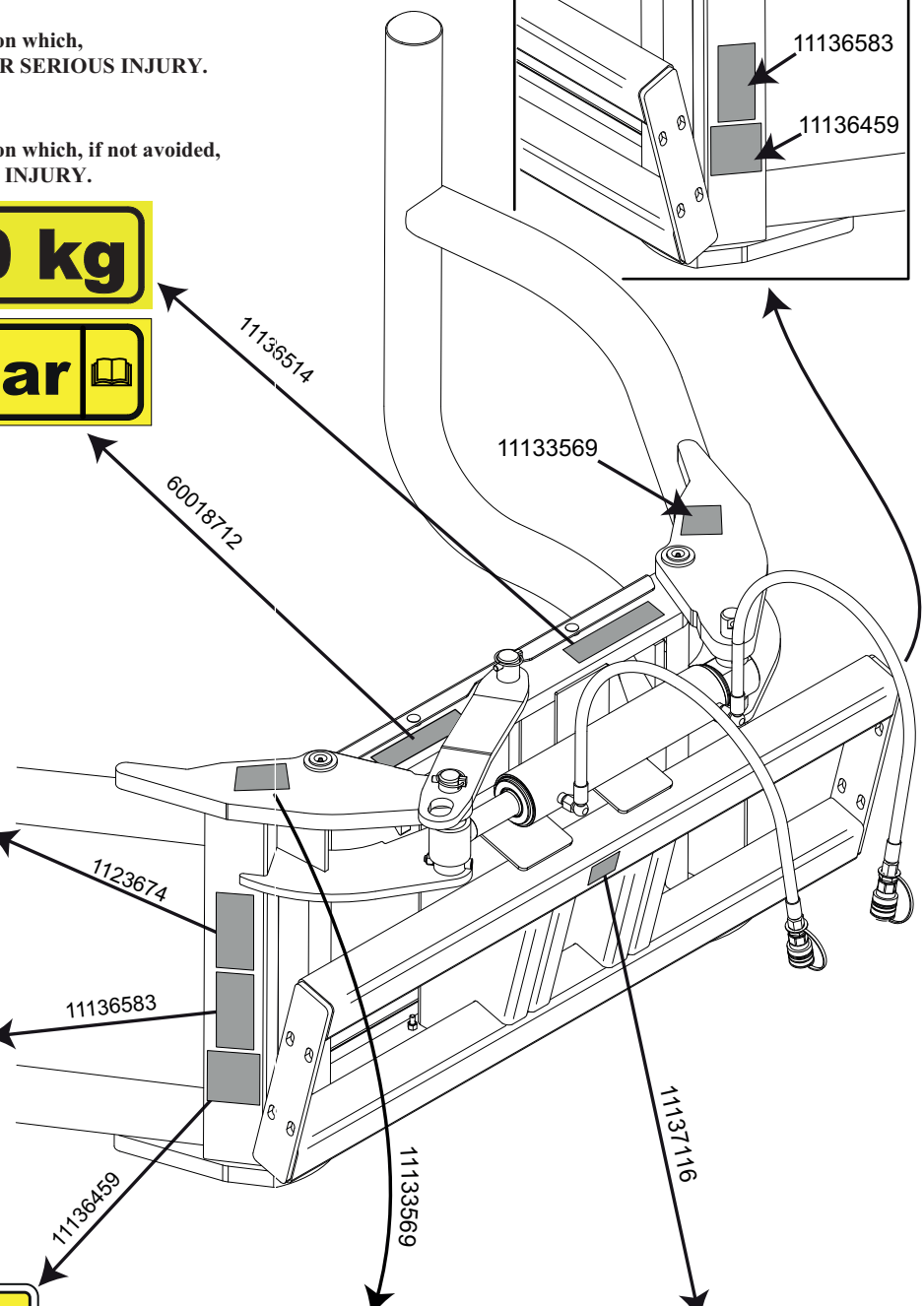
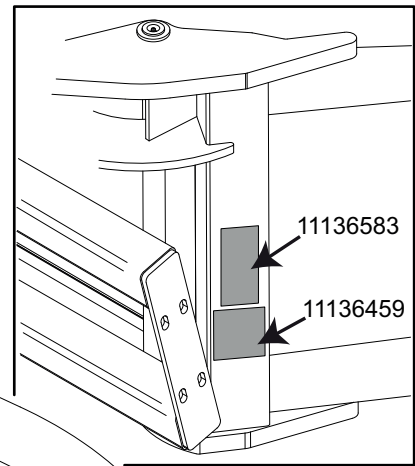
Indicates a potentially hazardous situation which, if not avoided, could result in DEATH OR SERIOUS INJURY.

**Caution!**

Indicates a potentially hazardous situation which, if not avoided, may result in MINOR OR MODERATE INJURY.



Product	XXXX XXXX XXXX	Made by	Åtö AB
Model Number	XXXXXXXXXX	Umeå Sweden	Made in XXXXXXXX
Year Built	XXXX-XX-XX	Weight	xxx kg
Ref. No.	XXXXXXXXXX	Serial No.	XXXXXXXXXX



## 7. WARRANTY CONDITIONS

ÅLÖ AB undertakes, for a period of 12 (twelve) months from the day that the loader/equipment was delivered to the purchaser, to replace or repair components which need to be rectified due to faults in the material or manufacturing. This is on condition that the fault is immediately notified to the supplier, and that the faulty loader/component is made freely available to the supplier.

For replaced components, the warranty is valid only for the remaining duration of the original warranty.

The warranty does not cover faults caused by accidents, inadequate maintenance, modification or incorrect installation by the purchaser. When heavily worn components are replaced under warranty, the purchaser shall be charged for the time that they have been used.

No compensation will be given for personal injury, stoppage, consequential damage or other losses.

Testing or fault diagnosis at the request of the purchaser will be carried out without charge to the purchaser if defects are established in that connection.

Otherwise the purchaser is charged for all costs.

Temporary repairs or extra costs incurred since work has been done outside ordinary working hours will not be compensated.

## EU DECLARATION OF CONFORMITY

(Directive 2006/42/EC, Annex 2A)

ÅLÖ AB

Brännland 300

SE-901 37 Umeå, Sweden

Tel. +46 (0)90 17 05 00

Hereby certifies that:

Attachment models described in this manual, see front, from and including manufacturing month November 2015.

A. manufactured in conformity with the provisions in the COUNCIL DIRECTIVE

dated 17 May 2006 on mutual approximation of the laws of the Member States relating to machinery, 2006/42/EC, with special reference to Annex 1 of the Directive on essential safety and health requirements in relation to the construction and manufacture of machines.

B. manufactured according to the following harmonised standards:

EN ISO 12100:2010, EN ISO 4413:2010, EN 12525:2000+A2 2010.

RISE SMP Svensk Maskinprovning AB, Box 7035, SE-75007 Uppsala, Sweden, has carried out voluntary type examination for ÅLÖ AB. The certificate number is: SEC/09/2051 – hydraulic implements.

The person authorized to compile technical documentation at ÅLÖ AB is Anders Lundgren, Executive Vice President R&D.



Umeå 2022-09-01

Niklas Åström

President and Chief Executive Officer (CEO)

## UK DECLARATION OF CONFORMITY

(Applies to the UK market)

Address: Manufacturer

ÅLÖ AB

Brännland 300

SE-901 37 Umeå, Sweden

Tel. +46 (0)90 17 05 00

Address: Authorized representative

Alo UK Ltd

Unit 1 Ryelands Business Centre,

Ryelands Lane,

Elmley Lovett,

Droitwich,

Worcestershire

WR9 0PT, UK

Hereby certifies that:

Attachment models described in this document, see front page, from and including manufacturing month November 2015.

- A. manufactured in conformity with the provisions in the Supply of Machinery (Safety) Regulations 2008,
- B. manufactured according to the following designated standards: BS EN ISO 12100:2010, BS EN ISO 4413:2010, BS EN 12525:2000+A2:2010.

RISE SMP Svensk Maskinprovning AB, Box 7035, SE-75007 Uppsala, Sweden, has carried out voluntary type examination for ÅLÖ AB. The certificate has number: SEC/09/2051 – hydraulic implements.

The person authorized to compile technical documentation at ÅLÖ AB is Anders Lundgren, Executive Vice President R&D.



Umeå 2022-09-01

Niklas Åström

President and Chief Executive Officer (CEO)



## 9. SÄKERHETSINSTRUKTIONER

### 9.1. Allmän information

Förarens säkerhet är en av de viktigaste angelägenheterna vid konstruktion av ett nytt redskap. Konstruktörer bygger in så många säkerhetsfunktioner som möjligt. Varje år sker flera olyckor som kan undvikas med några sekunders eftertanke samt en försiktigare manövrering av redskapet.

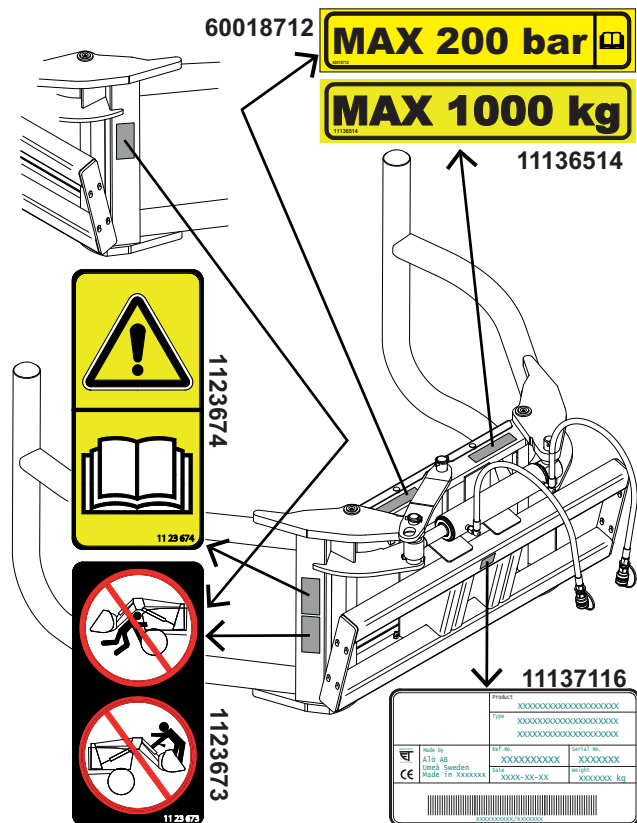
Undvik personskador. Läs följande instruktioner gällande personsäkerhet och insistera på att de personer som arbetar med eller för dig också följer instruktionerna.

#### 9.1.1. Varningsdekal

Varningsdekal är monterade på olika platser på redskapet. Lokalisera, läs och ta reda på vad dekalerna betyder innan lastare och redskap används.

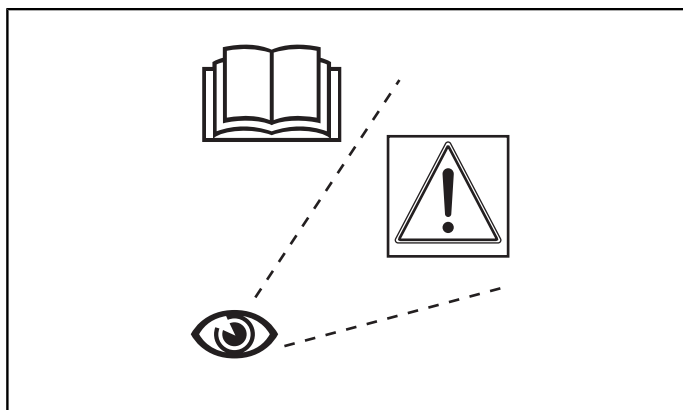
- Täck inte över eller avlägsna någon varningsdekal. Om en varningsdekal saknas eller är oläsbar, ersätt den med en ny dekal. Nya varningsdekal finns hos din återförsäljare.

Figur 36 Placering av varningsdekal och maskinskyt.



## 9.2. Förklaring av varningsnivåer

När du ser säkerhetssymbolen och signalord på dekalerna eller i användarhandboken, MÅSTE instruktionerna följas eftersom de har samband med din egen personliga säkerhet.



Figur 37 Lokalisera, läs och ta rätt på vad dekalerna betyder innan lastaren och redskapet används.

### 9.2.1. Symbolförklaring

Säkerhetssymbol. Information i samband med denna symbol gäller din personliga säkerhet och måste följas.



**Fara!**

Anger en omedelbart farlig situation som om den inte undviks kommer att leda till dödsfall eller allvarlig personskada. (North America)



**Varning!**

Anger att en olycka kan komma att inträffa om föreskriften ej följs. Olyckan kan leda till allvarlig personskada eller dödsfall.



**Försiktighet!**

Anger att en olycka kan komma att inträffa om föreskriften ej följs. Olyckan kan leda till personskada.

Följande text och instruktioner gäller inte personsäkerhet men används genomgående i användarhandboken för att ge ytterligare tips vid handhavande eller service av redskapet.

**Viktigt!** Anger att en olycka kan komma att inträffa om föreskriften ej följs. Olyckan kan leda till skada på egendom, process eller omgivning.

*Anm.* Anger extra information som kan underlätta förståelse eller utförande av ett visst moment.

## 9.3. Arbetsledning och brukare

### 9.3.1. Ansvar



**Försiktighet!**

Förvara alltid denna användarhandbok samt traktorns egen användarhandbok i traktorn.

- Finns ingen användarhandbok till traktorn, införskaffa en sådan från återförsäljaren innan du monterar och använder lastaren och redskapet.
- Läs igenom allt material noggrant och lär dig använda utrustningen på ett säkert och korrekt sätt.



Figur 38 Säkerhetssymbol.

**! Varning!**  
Använd **INTE** lastaren eller redskapet som arbetsplattform.

**! Varning!**  
Använd redskapet endast för avsett användningsområde.

**! Varning!**  
Greppa ej objekt som väsentligt förskjuter tyngdpunkten utåt. Kan leda till instabilitet.

**! Varning!**  
Använd **INTE** lastaren till att lyfta eller transportera personer.

- Låt endast kvalificerade personer köra maskinen.

**! Varning!**  
Kontrollera alltid omgivningen runt maskinen och se till att alla individer, speciellt barn och djur har flyttat sig innan maskinen startas eller körs iväg.

Eventuellt kan du inte höra varningsrop från personer utanför när du sitter inne i hytten med stängd dörr.

**! Fara!**  
För att förhindra allvarlig kläm- och krosskada som kan leda till dödsfall: Se till att individer och föremål är på behörigt avstånd medan redskapet används.

Lär känna arbetsområdet och terrängen. Var uppmärksam på fri höjd och begränsningar som uppstår av den ökade räckvidden.



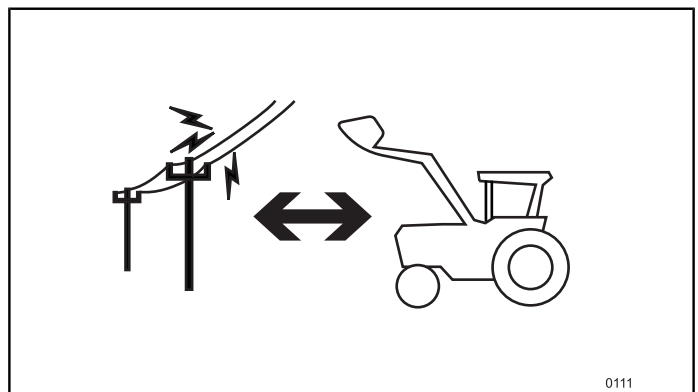
Figur 39 Använd **INTE** lastaren eller redskapet som arbetsplattform.



Figur 40 Använd **INTE** lastaren eller redskapet till att lyfta eller transportera personer.



Figur 41 Före start, se till att inga individer finns i maskinens närhet.



Figur 42 Lär känna arbetsområdet före start. Håll avstånd till elledningar och andra hinder.



**! Varning!**  
Titta alltid på redskapet. Föremål kan falla framför traktorn eller rulla bakåt på föraren när lastaren höjs. Lyft endast föremål som är avsedda för redskapet.

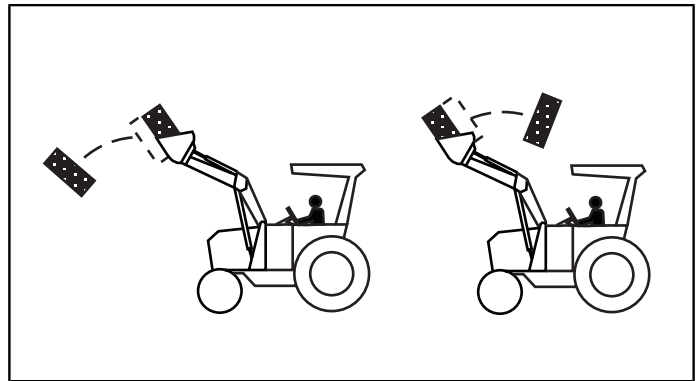
**! Varning!**  
Titta alltid på redskapet. Föremål kan falla ur vid transport. Transportera endast föremål som är avsedda för redskapet.

**! Varning!**  
Stå aldrig mellan traktorns front och lastarens tvärrör.

**! Varning!**  
Kross- och klämrisk.  
Lastaren kan falla ned.  
Sänk lastaren/redskapet till marken innan smörjning påbörjas.

**! Varning!**  
Kontrollera vid montering av slangarna att slanglängden räcker till och att de ej kommer i kläm mellan redskapsfäste, lastarm eller länkar - justera ev. kopplingarna.

**! Varning!**  
Trycksatt olja.  
Hydraulolja med högt tryck kan injiceras i kroppen vid läckage och orsaka allvarliga skador, blindhet eller dödsfall. Läckaget kan vara osynligt.  
Använd godkända skyddsglasögon och skydda huden med exempelvis kraftiga läderhandskar. Använd kartong eller trä vid sökning efter läckor. Om vätska har trängt in i huden MÅSTE den avlägsnas inom ett par timmar av läkare som kan behandla denna typ av skador.



Figur 43 Titta alltid på redskapet. Föremål kan falla framför traktorn eller rulla bakåt på föraren när lastaren höjs.



Figur 44 Stå aldrig mellan traktorns front och lastarens tvärrör.



Figur 45 Använd ALDRIG fingrar eller händer vid läckagesökning.

## 10. BESKRIVNING

### 10.1. Definitioner

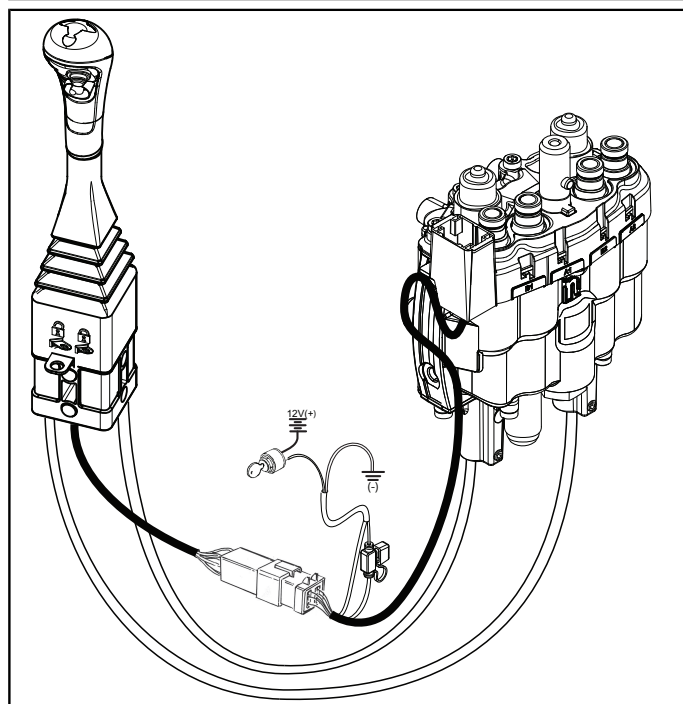
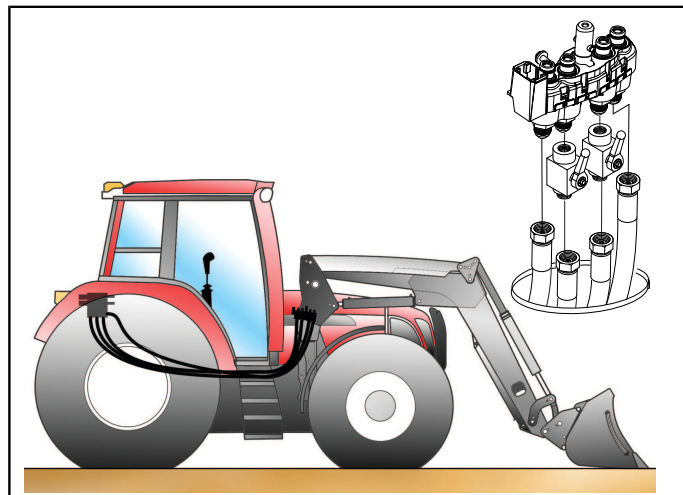
Här nedan följer beskrivningar på olika tillbehör som kan användas tillsammans med redskapet och frontlastare.

#### 10.1.1. 3:e funktion

Extra hydraulfunktion för manövrering av redskapets hydraulik och redskapslås.

#### 10.1.2. ErgoDrive / ErgoDrive LCS

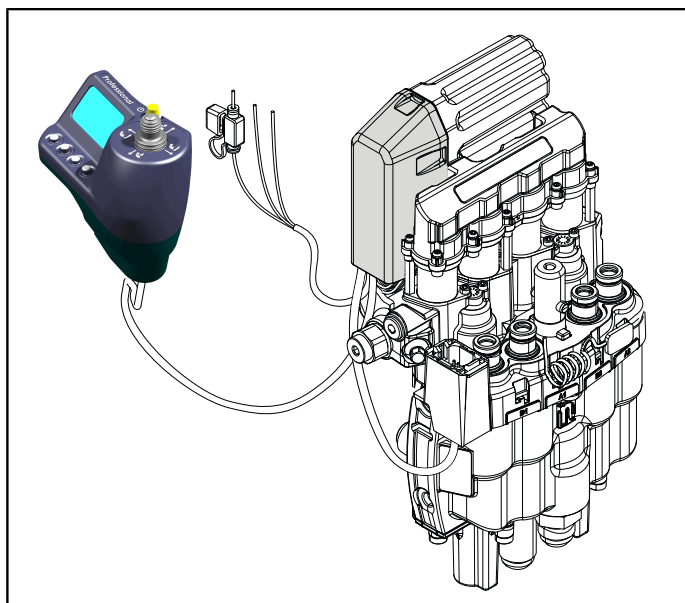
Monteringssatsen innehåller mekanisk manöverventil och mekaniskt manöverreglage samt hydraulanslutning för angiven traktormodell.



Figur 46 ErgoDrive

### 10.1.3. ElectroDrive CDC / ElectroDrive LCS / EasyDrive LCS

Monteringssats som ovanstående men med elektrisk manövrerventil och elektriskt manöverreglage.



Figur 47 ElectroDrive

### 10.1.4. Slangsats

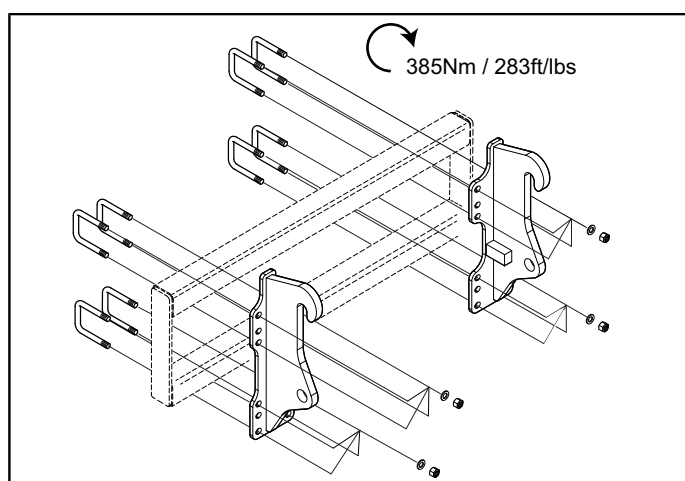
Slangar och hydraulkomponenter för anslutning av lastaren till traktorns originalventil.

Figur 48 Slangsats

## 10.2. Redskapsfästen

Redskapet kan utrustas med olika typer av redskapskrokar, beroende på lastarens/basmaskinens infästning. Det finns olika fästsystem för krokarna; svetsade eller olika alternativ av bultbara system. För information om vilka redskapskrokar som finns tillgängliga kontakta Ålö AB. Var noggrann med att redskapskroken är kompatibel med lastarens/basmaskinens infästningssystem. **Improvisera eller anpassa aldrig!**

Säkerställ att låsning av redskap sker korrekt utifrån lastarens/basmaskinens och redskapsfästets aktuella instruktioner innan användning.



Figur 49 Redskapet kan utrustas med olika typer av redskapskrokar.

## 11. KÖRINSTRUKTIONER

### 11.0.1. Avsedd användning

Redskapet är försedd med två griparmar som används för skonsam hantering av både liggande och stående rundbalar, samt fyrkantbalar.

Sänk lastaren så lågt som möjligt under färd. Kom ihåg att ju högre lastaren är lyft, desto högre blir tyngdpunkten och därmed blir risken för att traktorn ska välta också större.

### 11.0.2. Montering

Redskapet levereras delmonterat.

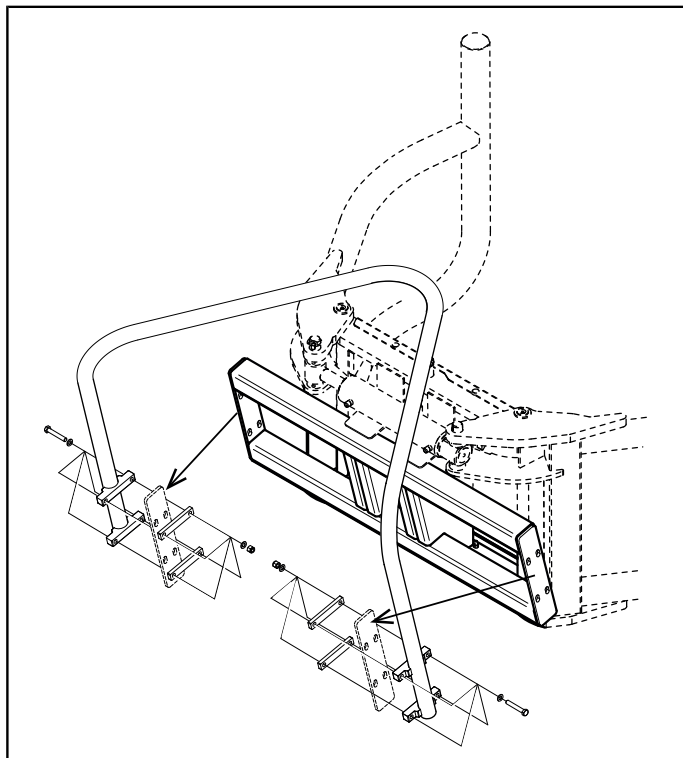
**Cylindern** levereras i medföljande tillbehörlåda.

Infästningar och slangar mellan redskap och maskin levereras i separata satser. Cylindern (1) monteras med oljeanslutningarna bakåt. Tapparna (2) låses med skruvar (3) enl. bild. Cylinderns lagringar infettas före montering av tappar.

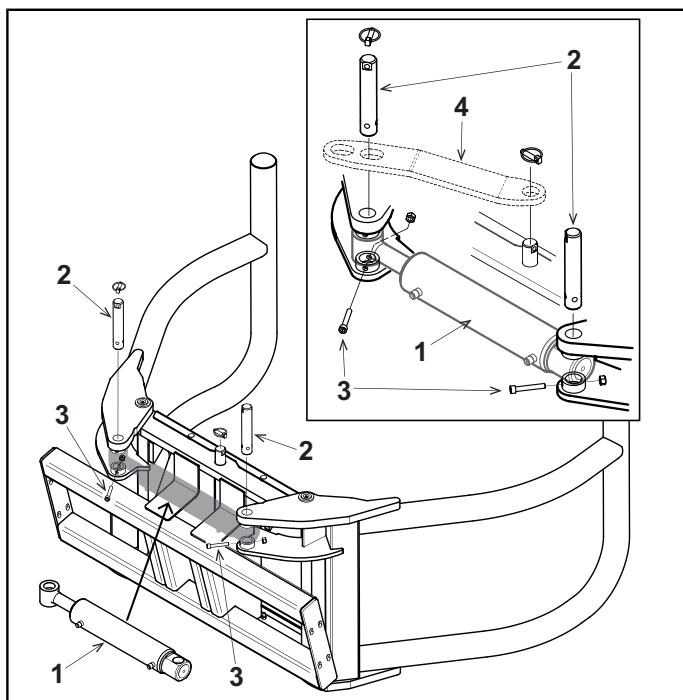
**Begränsningsstag.** Den högra alt. vänstra griparmens rörelse kan begränsas med hjälp av staget (4). Staget monteras mellan ram och tapp (2). Med staget monterat kan balarna staplas tätare intill varandra. Vid hantering av balar med diameter 120 cm skall det yttre av stagets två hål användas (gäller Flexigrip 160).

#### Back Stop

Som en extra säkerhetsåtgärd kan man montera en s.k. Back Stop. Denna hindrar balar från att rulla bakåt över traktorföraren. Den finns att beställa som tillbehör.



Figur 50 Montering av slangats



Figur 51 Montering av cylinder och låsstag

Figur 52 Montering av BackStop

**Slangats**

Anslut slangarna till cylindern.

Slangen som står i förbindelse med cylinderns (+) sida, skall ha röd färgmarkering.

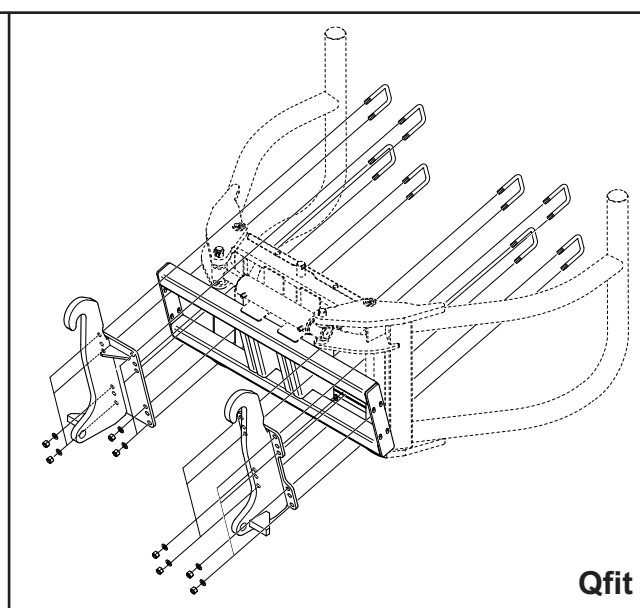
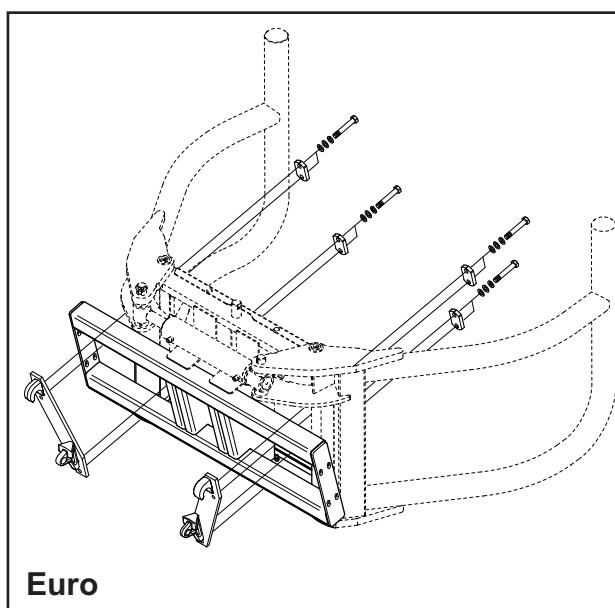
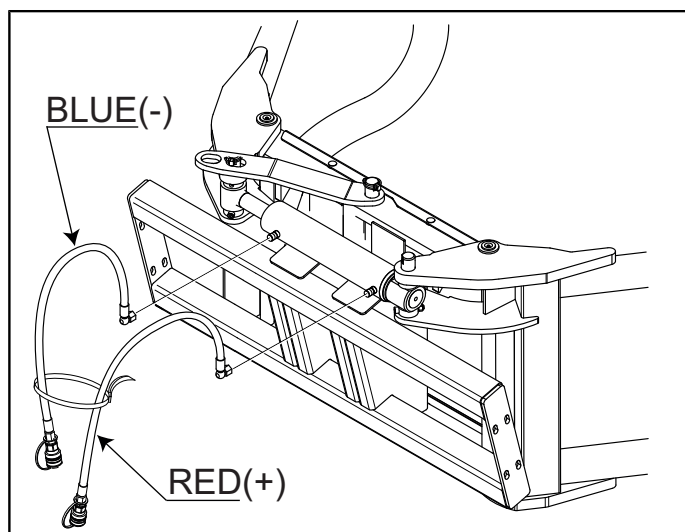
Slangen som står i förbindelse med cylinderns (-) sida, skall ha blå färgmarkering.

Lastaren skall vara utrustad med ett dubbelverkande oljeuttag vid redskapsfästet.

**Varning!**

Kontrollera vid montering av slangarna att slanglängden räcker till och att de ej kommer i kläm mellan redskapsfäste, lastarm eller länkar - justera ev. kopplingarna.

Kroksats beställs separat från återförsäljare. Monteras enligt medföljande instruktion.

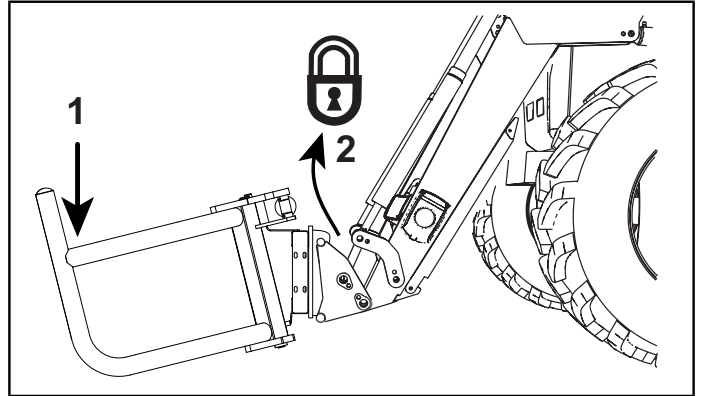


Figur 53 Exempel på montering av kroksats

## 11.1. Att göra innan användning av redskapet

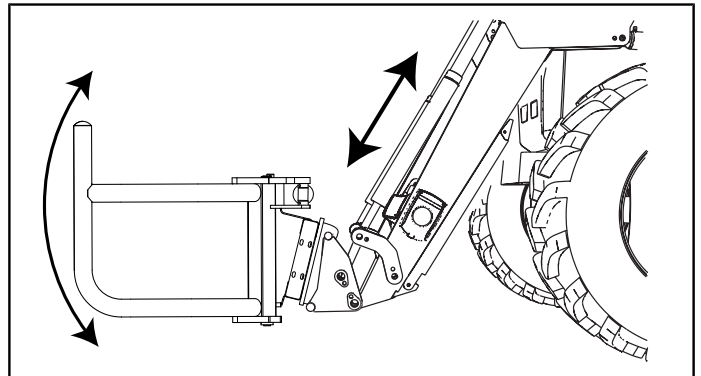
Kontrollera med försiktighet att:

1. Slang ansluten till cylinderns (+) sida har röd markering och att redskapet rör sig enligt beskrivning av öppna/stänga.
2. Inga hydrauloljeläckage förekommer.
3. Redskapet är korrekt monterat i redskapsfästet och att tapparna är i låst läge. Pressa redskapets spets mot marken (1) för att kontrollera att redskapet sitter fast (2).



Figur 54 Kontrollera att redskap sitter fast genom att pressa dess spets mot marken.

4. Ingen kollisionsrisk mellan lastare och redskap föreligger (se bild).
  5. Smörj redskapet enligt 12. Smörjning och underhåll.
- Se även Till- och fränkoppling av redskap i lastarens användarhandbok.



Figur 55 Kontrollera med försiktighet att ingen kollisionsrisk mellan lastare och redskap föreligger.



**Varning!**

Stå, gå eller arbeta **INTE** under en upplyft lastare. Se till att hålla alla individer, framför allt barn, och djur borta från arbetsområdet.



Figur 56 Stå, gå eller arbeta **INTE** under en upplyft lastare.

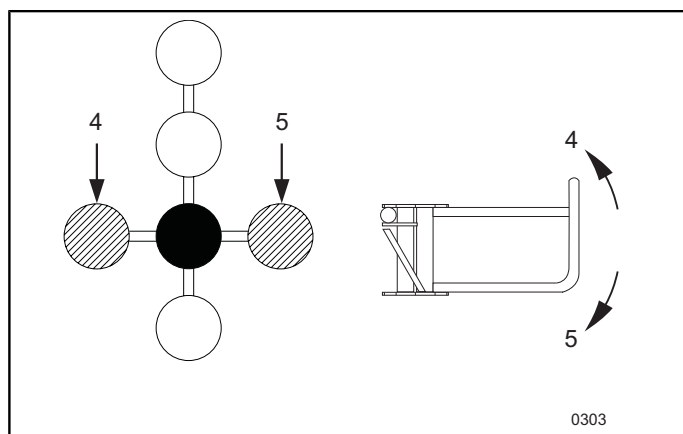
0106

### 11.1.1. Tömma/bryta upp redskap

Högermontage: För spaken åt vänster (4), för att bryta upp redskapet.

För spaken åt höger (5), för att tömma redskapet.

*Anm.* Vid vänstermontage blir rörelserna omvända (gäller inte EasyDrive LCS och ElectroDrive LCS som bara finns högermonterad).



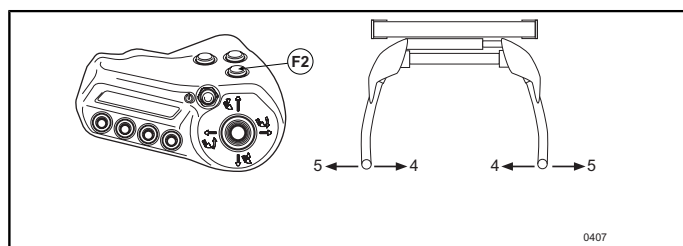
Figur 57 Tömma/bryta upp redskap

### 11.1.2. Öppna/stänga redskapet - EasyDrive LCS och ElectroDrive LCS

För att öppna och stänga redskapet används den tredje hydrauliska funktionen som styrs med strömbrytare F2.

När spaken förs till höger (5) öppnas redskapet och när den förs till vänster (4) stängs redskapet (högermontage).

*Anm.* När strömbrytaren för den tredje hydraulfunktionen släpps, återgår reglaget omgående till töm/brytfunktion.



Figur 58 Öppna/stänga redskapet - EasyDrive LCS och ElectroDrive LCS

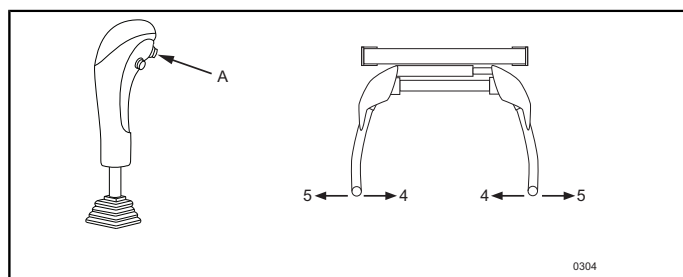
### 11.1.3. Öppna/stänga redskapet - ErgoDrive LCS/ErgoDrive

För att öppna och stänga redskapet används den tredje hydrauliska funktionen som styrs med en strömbrytare (A) på Joystick-reglagets framsida.

När spaken förs till höger (5) öppnas redskapet och när den förs till vänster (4) stängs redskapet (högermontage).

Vid vänstermontage blir rörelserna omvända.

*Anm.* När strömbrytaren för den tredje hydraulfunktionen släpps, återgår reglaget omgående till töm/brytfunktion.



Figur 59 Öppna/stänga redskapet - ErgoDrive LCS/ErgoDrive

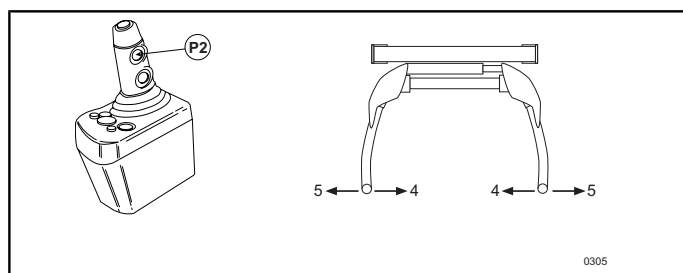
### 11.1.4. Öppna/stänga redskapet - ElectroDrive CDC

För att öppna och stänga redskapet används den tredje hydrauliska funktionen som styrs med strömbrytare P2.

När spaken förs till höger (5) öppnas redskapet och när den förs till vänster (4) stängs redskapet (högermontage).

Vid vänstermontage blir rörelserna omvända.

När strömbrytaren för den tredje hydraulfunktionen släpps, återgår reglaget omgående till töm/brytfunktion.



Figur 60 Öppna/stänga redskapet - ElectroDrive CDC

### 11.1.5. Öppna/stänga redskapet - Slangsats

Slangsats - traktorns Joystick, se traktorns användarhandbok.



### 11.1.6. Körinstruktion

För att undvika att plasten skadas, skall griparmarnas övre del placeras i höjd med balens överkant. Transportera balen liggande - bryt upp den till stående vid last-/lagringsplatsen.

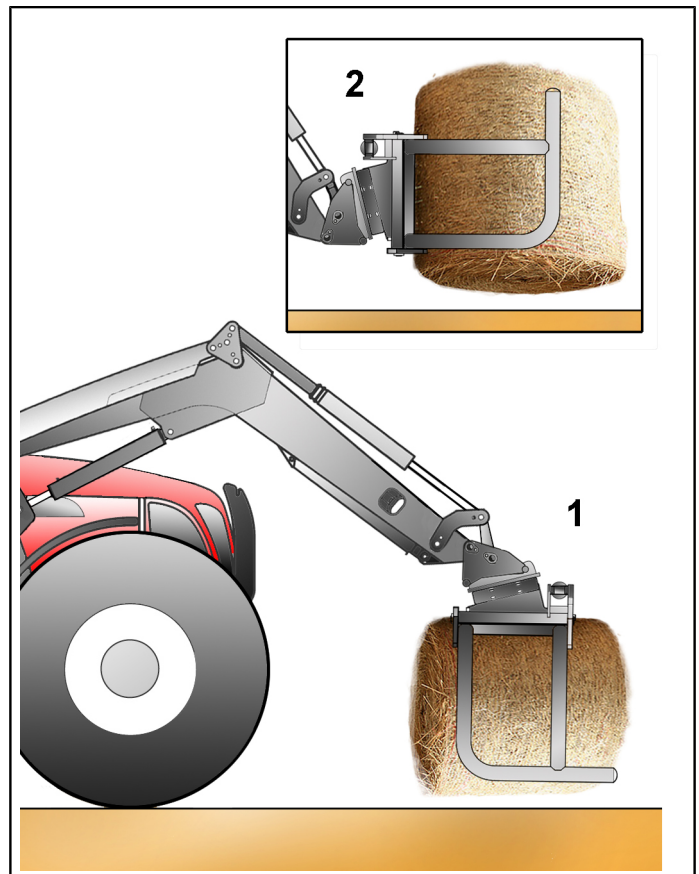
*Anm.* Balen bör vändas vid så låg höjd som möjligt.



#### Varning!

Vid långa transportsträckor kan klämkraften minska, p.g.a. inre oljeläckage i lastarens manöverventil, så att, om det vill sig illa kan balen tappas.

För att undvika "tappade balar" p.g.a. inre oljeläckage, kan man stanna och öka klämkraften på balen med jämna mellanrum eller utrusta redskapet med en lasthållningsventil (extra utrustning).



Figur 61 Transportera balen liggande och lågt (1) - bryt upp den till stående vid last-/lagringsplatsen (2).

### 11.1.7. Vid avställning

Koppla ej ifrån redskapet med cylindern i något av ändlägena - svårigheter kan då uppstå, p.g.a. övertyck, när snabbkopplingarna skall anslutas.

Se även Till- och fränkoppling av redskap i lastarens användarhandbok.



## 12. SMÖRJNING OCH UNDERHÅLL



**Varning!**  
Stå aldrig mellan traktorns front och lastarens tvärrör.



Figur 62 Stå aldrig mellan traktorns front och lastarens tvärrör.

### 12.1. Smörjpunkter

Samtliga lagringar är försedda med bussningar vilka normalt endast behöver infettas en gång/månad.

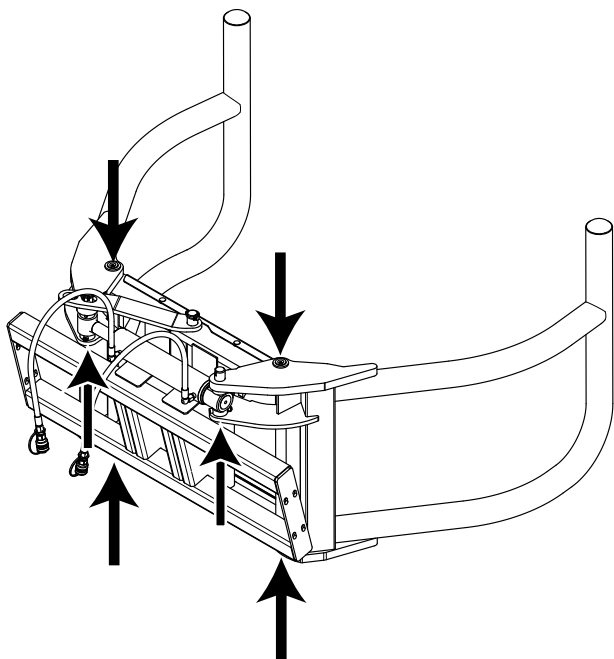


**Varning!**  
Kross- och klämrisk.

Lastaren kan falla ned.

Sänk redskapet till marken och stäng redskapet innan smörjning påbörjas.

Figur 63 Smörjpunkter.



### 12.2. Förvaring

Anbringa ett tunt lager fett på synliga kolvstänger för att skydda dem.

## 12.3. Slangar och cylindrar

Läs detta innan hydraulsystemet kontrolleras med avseende på läckage:



### Varning!

#### Trycksatt olja.

Hydraulolja med högt tryck kan injiceras i kroppen vid läckage och orsaka allvarliga skador, blindhet eller dödsfall. Läckaget kan vara osynligt.

Använd godkända skyddsglasögon och skydda huden med exempelvis kraftiga läderhandskar. Använd kartong eller trä vid sökning efter läckor. Om vätska har trängt in i huden **MÅSTE** den avlägsnas inom ett par timmar av läkare som kan behandla denna typ av skador.



0118a

Figur 64 Använd **ALDRIG** fingrar eller händer vid läckagesökning.

Kontrollera slangar och anslutningar med jämna mellanrum med avseende på slitage och läckage. Säkerställ att slangarna har tillräckligt spelrum och inte gnider mot andra komponenter. Byt skadade slangar och dra åt alla anslutningar.

Cylindrarna är dubbelverkande. De måste alltid hållas i god kondition för optimal funktion. Läckor, inre eller yttre, påverkar prestandan och kan vara farligt.

För att redskapet ska fungera optimalt krävs ett hydraulsystem som arbetar med högt tryck. Använd endast reservdelar som är godkända av tillverkaren.

### 12.3.1. Kontroll av hydraulanslutningar

Kontrollera att alla slangar och adaptrar är åtdragna och att de inte läcker.

### 12.3.2. Reparation av hydraulcylindrar

Demontering, reparation och montering av hydraulcylindrar kräver specialverktyg för att förhindra skador på invändiga komponenter. Vi rekommenderar att en cylinder som ska repareras skickas till en auktoriserad återförsäljare för åtgärder.

## 13. DATA

Modell	160	200
Vikt, utan krokar	235 kg	260 kg
Cylinder	80 mm / 40 mm	80 mm / 40 mm
Balstorlek	120-160 cm	150-200 cm
Balvikt max	1000 kg	1000 kg
Max. arbetstryck	200bar / 20MPa *)	

\*) Om arbetstrycket är högre än 200 bar, bör tryckbegränsning användas. Tryckbegränsningsatts finns att beställa som tillbehör.

### 13.1. Rekommendationstabell

Lastarmodell	Max last
X21	650 kg
X31, X41	750 kg
X51	800 kg
X26	950 kg
Q21 (+1.1), Q31 (+2.1), Q26 (+1.1P)	1000 kg
Q36 (+2.1P)	1000 kg
X36, Q33 (+2.3)	1000 kg
X46, Q41 (+3.1)	1000 kg
X56, Q51 (+4.1), Q38 (+2.3P), Q46 (+3.1P), Q49 (+3.4P)	1000 kg
Q56 (+4.1P)	1000 kg
Q48 (+3.3P)	1000 kg
Q61 (+5.1), Q58 (+4.3P)	1000 kg
Q66 (+5.1P)	1000 kg
Q68 (+5.3P), Q76 (+6.1P), Q78 (+6.3P), Q88 (+7.3P), Q98 (+8.3P)	1000 kg
Hjullastare / Teleskoplastare	1000 kg

## 14. GARANTIBESTÄMMELSER

ÅLÖ AB förbinder sig att under en period av 12 (tolv) månader från den dag lastaren / utrustningen levererats till köparen, utbyta eller reparera delar som p.g.a. fel i material eller tillverkningsarbete behöver åtgärdas. Detta under förutsättning att felet omedelbart anmäles till leverantören, samt att den felaktiga lastaren / detaljen fritt ställes till dennes förfogande.

För delar som utbyts gäller garantin endast under den återstående garantitiden.

Garantin omfattar icke fel förorsakade av olyckshändelse, bristfälligt underhåll, ändring, eller felaktig montering från köparens sida. Vid garantiutbyte av delar som är utsatta för särskilt stort slitage skall köparen erlagga ersättning för den tid de använts

Ersättning utgår icke för personskador, stillestånd, följdskador, eller andra förluster.

Test eller felsökning som görs på begäran av köparen utföres utan kostnad för köparen om därvid bristfälligheter konstateras.

I annat fall debiteras köparen samtliga kostnader.

Tillfälliga reparationer eller merkostnader p.g.a. att arbetet utföres på icke ordinarie arbetstid ersättes icke.

## EG-FÖRSÄKRAN OM ÖVERENSSTÄMMELSE

(Direktiv 2006/42/EG, Annex 2A)

ÅLÖ AB

Brännland 300

SE-901 37 Umeå, Sverige

Tel. +46 (0)90 17 05 00

Försäkrar härmed att:

Redskapsmodeller som beskrivs i denna bok, se framsida, fr o m tillverkningsmånad november 2015.

A. är tillverkade i överensstämmelse med RÅDETS DIREKTIV:

- av den 17 maj 2006 angående inbördes närmande av medlemsstaternas lagstiftning rörande maskiner, 2006/42/EG, med särskild hänvisning till direktivets Annex 1 om väsentliga hälso- och säkerhetskrav i samband med konstruktion och tillverkning av maskiner.

B. är tillverkad i överensstämmelse med följande harmoniserade standarder:

EN ISO 12100:2010, EN ISO 4413:2010, EN 12525:2000+A2 2010.

RISE SMP Svensk Maskinprovning AB, Box 7035, SE-75007 Uppsala, Sverige, har utfört frivillig typkontroll åt ÅLÖ AB. Certifikatet har nummer: SEC/09/2051 – hydrauliska redskap.

Behörig person att ställa samman den tekniska dokumentationen inom ÅLÖ AB är Anders Lundgren, Executive Vice President R&D.



Umeå 2022-09-01

Niklas Åström

VD

## UK DECLARATION OF CONFORMITY

(Gäller för marknaden i Storbritannien)

Address: Manufacturer

ÅLÖ AB

Brännland 300

SE-901 37 Umeå, Sweden

Tel. +46 (0)90 17 05 00

Address: Authorized representative

Alo UK Ltd

Unit 1 Ryelands Business Centre,

Ryelands Lane,

Elmley Lovett,

Droitwich,

Worcestershire

WR9 0PT, UK

Hereby certifies that:

Attachment models described in this document, see front page, from and including manufacturing month November 2015.

- A. manufactured in conformity with the provisions in the Supply of Machinery (Safety) Regulations 2008,
- B. manufactured according to the following designated standards: BS EN ISO 12100:2010, BS EN ISO 4413:2010, BS EN 12525:2000+A2:2010.

RISE SMP Svensk Maskinprovning AB, Box 7035, SE-75007 Uppsala, Sweden, has carried out voluntary type examination for ÅLÖ AB. The certificate has number: SEC/09/2051 – hydraulic implements.

The person authorized to compile technical documentation at ÅLÖ AB is Anders Lundgren, Executive Vice President R&D.



Umeå 2022-09-01

Niklas Åström

President and Chief Executive Officer (CEO)

# 15. VORWORT

## 15.1. Allgemeine Informationen



**Achtung!**  
**Fahrlässige oder falsche Anwendung kann schwere oder tödliche Verletzungen des Fahrers und anderer Personen verursachen. Beachten Sie die Sicherheitsanweisungen!**

In diesem Dokument werden Bedienung und Wartung des Geräts beschrieben. Die Angaben in der Bedienungsanleitung waren zum Zeitpunkt der Drucklegung korrekt. Wenden Sie sich bei Fragen zur Bedienungsanleitung an Ihren Händler.

Zu jedem Anbaugerät wird ein Benutzerhandbuch mitgeliefert, in dem die Bedienung und die Wartung des Geräts beschrieben sind. Lesen und benutzen Sie die Informationen, um das Gerät mit Sicherheit und kurzen Stillstandszeiten einsetzen zu können. Das Gerät ermöglicht eine einfache Instandhaltung und Wartung mit herkömmlichen Handwerkzeugen.

Die Bedienungsanleitung ist sorgfältig zu lesen und genau zu verstehen, bevor mit dem Gerät gearbeitet wird. Unerfahrene Fahrer sollten die Bedienungsanleitung besonders sorgfältig lesen und sich von erfahrenem Personal helfen lassen. Ihr Händler kann Ihnen auch bei der Bedienung helfen und Ihnen wertvolle Tipps zu den geeigneten Arbeitsmethoden geben. Diese Bedienungsanleitung sollte jederzeit griffbereit sein, möglichst im Inneren des Traktors. Besorgen Sie eine neue Bedienungsanleitung, wenn die alte beschädigt wurde oder abhanden gekommen ist.

Lesen Sie auch die Betriebsanleitung des Laders, sie enthält wichtige Informationen für Ihre Sicherheit.



**Vorsicht!**  
**Lesen Sie die gesamte Betriebsanleitung durch, bevor Sie das Produkt einsetzen.**

Wir behalten uns vor, ohne vorherige Ankündigung oder irgendwelche Verpflichtungen jederzeit Änderungen an Konstruktion oder Daten sowie Verbesserungen vorzunehmen.

Tragen Sie die Informationen vom Typenschild des Geräts ein und geben Sie diese bei einem Kontakt mit Ihrem Händler stets an.

Daten auf dem Schild:

Produkt, Typ, Referenz- und Seriennummer, Gewicht.

Immer anzugeben: Produkt (A), Typ (B) und Seriennummer (C) bei Servicefragen oder Ersatzteilbedarf.

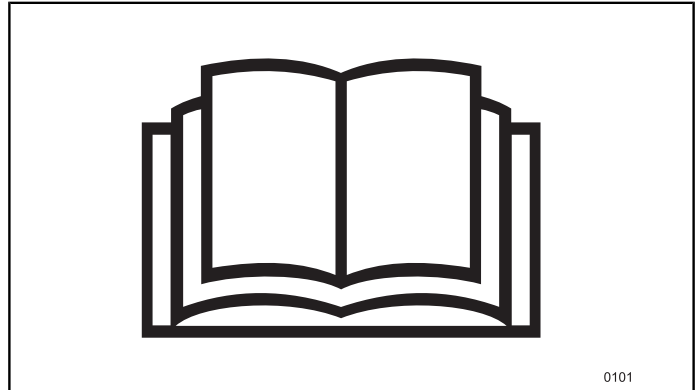


Abbildung 65 Lesen Sie die gesamte Betriebsanleitung durch, bevor Sie das Produkt einsetzen.

**Produktinformationen**

Product	
Type	
Ref. No.	
Serial No.	
Date	
Weight	
Manufacturer	
Reseller information	

Abbildung 66 Produktinformationen

 Made by A10 AB Umeå Sweden Made in xxxxxxxx	Product xxxxxxxxxxxxxxxxxxxxxxxxxxxxxxxx	Ref. No. xxxxxxxxx Serial No. / Year xxxxxxxxxxxx xxxxx	A B C
	Type xxxxxxxxxxxxxxxxxxxxxxxxxxxxxxxx xxxxxxxxxxxxxxxxxxxxxxxxxxxxxxxx		

Abbildung 67 Typenschild.

## 16. SICHERHEITSANWEISUNGEN

### 16.1. Allgemeine Informationen

Die Sicherheit des Fahrers zählt zu den wichtigsten Aspekten bei der Konstruktion eines neuen Geräts. Unsere Konstrukteure integrieren möglichst viele Sicherheitsfunktionen. Jedes Jahr geschehen mehrere Unfälle, die sich durch kurzes Nachdenken und vorsichtigere Gerätebedienung vermeiden lassen.

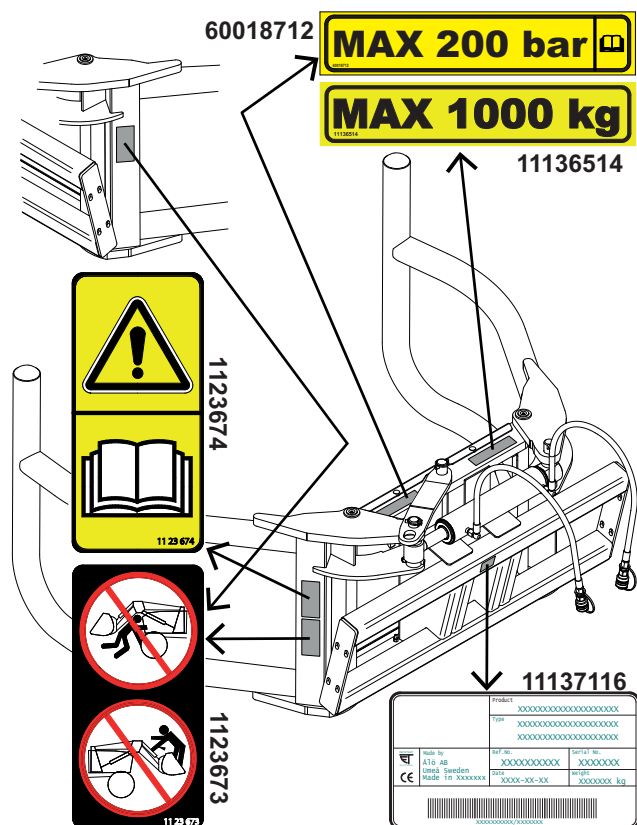
Verletzungen sind unbedingt zu vermeiden! Lesen Sie die folgenden Anweisungen zur Personensicherheit sorgfältig durch und bestehen Sie darauf, dass die mit Ihnen oder für Sie arbeitenden Personen diese ebenfalls einhalten.

#### 16.1.1. Warnschilder

Abbildung 68 Platzierung von Warnschildern und Typenschild

An mehreren Stellen des Geräts befinden sich Warnschilder. Lesen Sie die Schilder und machen Sie sich ihre Bedeutung klar, bevor Sie Lader und Gerät verwenden.

- Warnschilder dürfen nicht überdeckt oder entfernt werden. Wenn ein Warnschilder fehlt oder unleserlich ist, muss es durch ein neues ersetzt werden. Neue Warnschilder hält Ihr Händler für Sie bereit.



## 16.2. Erklärung der Warnstufen

Sicherheitssymbole und Hinweise auf Schildern oder in der Bedienungsanleitung sind UNBEDINGT zu beachten, weil davon Ihre persönliche Sicherheit abhängt.

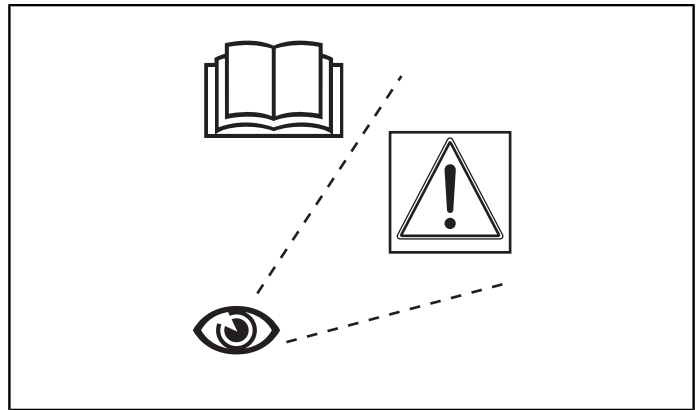


Abbildung 69 Vor der Benutzung von Lader und Gerät sind die Schilder zu suchen, zu lesen und zu verstehen.

### 16.2.1. Symbolerklärung

Sicherheitssymbol Informationen in Verbindung mit diesem Symbol beziehen sich auf Ihre persönliche Sicherheit und sind zu beachten.



**Gefahr!**

Bezeichnet eine unmittelbar gefährliche Situation, die zu ernsthaften Verletzungen oder Todesfällen führen kann, wenn sie nicht vermieden wird. (Nordamerika)



**Achtung!**

Hiermit wird darauf hingewiesen, dass sich ein Unfall ereignen kann, wenn die Vorschriften nicht befolgt werden. Ein solcher Unfall kann zu ernsthaften Verletzungen oder Todesfällen führen.



**Vorsicht!**

Hiermit wird darauf hingewiesen, dass sich ein Unfall ereignen kann, wenn die Vorschriften nicht befolgt werden. Ein solcher Unfall kann zu Verletzungen führen.



Abbildung 70 Sicherheitssymbol

Die folgenden Texte und Anweisungen beziehen sich nicht auf die Personensicherheit, sondern dienen in dieser Bedienungsanleitung durchgehend als zusätzliche Tipps für Bedienung oder Wartung des Geräts.

**Wichtig!** Hiermit wird darauf hingewiesen, dass sich ein Unfall ereignen kann, wenn die Vorschriften nicht befolgt werden. Ein solcher Unfall kann zu Schäden an Gegenständen, in Prozessanlagen oder im Umfeld führen.

*Hinweis:* Hiermit wird auf zusätzliche Informationen hingewiesen, die das Verständnis oder die Durchführung eines bestimmten Ablaufs erleichtern können.



## 16.3. Arbeitsleitung und Bediener

### 16.3.1. Verantwortung

**Vorsicht!**  
Diese Bedienungsanleitung ist zusammen mit der eigenen Betriebsanleitung des Traktors im Traktor mitzuführen.

- Falls Sie keine Betriebsanleitung für den Traktor besitzen, beschaffen Sie sich ein Exemplar bei Ihrem Händler, bevor Sie den Lader und das Gerät montieren sowie benutzen.
- Alle Unterlagen sorgfältig lesen und den Umgang mit der Ausrüstung auf sichere und korrekte Weise erlernen.

**Achtung!**  
Benutzen Sie den Lader oder das Gerät **NICHT** als Arbeitsplattform.

**Achtung!**  
Benutzen Sie das Gerät nur für den vorgesehenen Zweck.

**Achtung!**  
Nehmen Sie keine Lasten auf, die den Schwerpunkt wesentlich nach außen verlagern. Dies kann zu Instabilitäten führen.

**Achtung!**  
Den Lader **NICHT** zum Anheben oder Transport von Personen verwenden.

- Die Maschine darf nur von qualifiziertem Personal bedient werden.

**Achtung!**  
Kontrollieren Sie stets das Umfeld der Maschine und sorgen Sie dafür, dass alle Personen den Bereich verlassen, bevor Sie die Maschine starten und losfahren.

Wenn Sie bei geschlossener Tür in der Kabine sitzen, ist es möglich, dass Sie Warnrufe von Personen außerhalb nicht hören.

**Gefahr!**  
Um ernsthafte Verletzungen durch Einklemmen oder Quetschungen, die zum Tod führen können, zu vermeiden: Achten Sie darauf, dass sich Personen und Gegenstände während des Betriebs des Geräts in ausreichendem Abstand befinden.



Abbildung 71 Benutzen Sie den Lader oder das Gerät **NICHT** als Arbeitsplattform.



Abbildung 72 Verwenden Sie den Lader oder das Gerät **NICHT** zum Heben oder Transport von Personen.



Abbildung 73 Stellen Sie vor dem Start sicher, dass sich niemand in Maschinennähe aufhält.

Lernen Sie den Arbeitsplatz und das Gelände kennen.  
Achten Sie auf die freie Höhe und auf Einschränkungen  
aufgrund der größeren Reichweite.

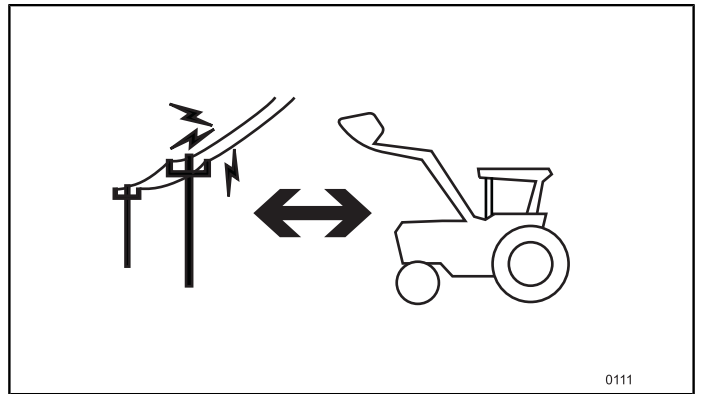


Abbildung 74 Machen Sie sich vor dem Start mit dem Arbeitsplatz vertraut. Halten Sie einen sicheren Abstand zu Stromleitungen u.a. Hindernissen.

**!** **Achtung!**  
Behalten Sie stets das Gerät im Auge.  
Gegenstände können vor den Traktor fallen oder  
nach hinten auf den Fahrer rollen, wenn der  
Lader angehoben wird. Nur Lasten heben, die für  
das Gerät ausgelegt sind.

**!** **Achtung!**  
Behalten Sie stets das Gerät im Auge. Beim  
Transport können Gegenstände herunterfallen.  
Nur Lasten transportieren, die für das Gerät  
ausgelegt sind.

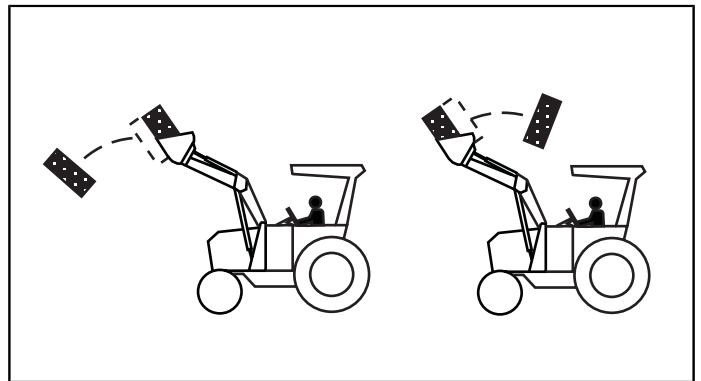


Abbildung 75 Behalten Sie stets das Gerät im Auge.  
Gegenstände können vor den Traktor fallen oder nach hinten  
auf den Fahrer rollen, wenn der Lader angehoben wird.

**!** **Achtung!**  
Stehen Sie nie zwischen der Front des Traktors  
und dem Querträger des Laders.

**!** **Achtung!**  
Quetsch- und Klemmgefahr.  
Der Lader kann herunterfallen.  
Den Lader/das Gerät vor Beginn der  
Schmierarbeiten auf den Boden absenken.

**!** **Achtung!**  
Nachdem Sie die Hydraulikschläuche montiert  
haben, prüfen Sie, ob diese lang genug  
sind bzw. stellen Sie sicher, dass diese nicht  
durch Gerätehalterung, Laderschwinge  
oder Gelenke eingeklemmt werden können.  
Verändern Sie bei Bedarf die Position der  
Schlauchanschlüsseanschlüsse.



Abbildung 76 Stehen Sie nie zwischen der Front des Traktors  
und dem Querträger des Laders.

**Achtung!****Unter Druck stehendes Öl.**

Hydrauliköl, das an undichten Stellen unter hohem Druck austritt, kann die Haut durchdringen und schwere Verletzungen, Blindheit oder Todesfälle verursachen. Undichte Stellen sind nicht immer mit bloßem Auge zu erkennen.

Tragen Sie vorschriftsmäßige Schutzbrillen und schützen Sie Ihre Hände durch kräftige Lederhandschuhe o.ä. Verwenden Sie bei der Suche nach undichten Stellen einen Karton oder eine Holzplatte. Falls Flüssigkeit durch die Haut eingedrungen ist, MUSS diese in den nächsten Stunden durch einen Arzt beseitigt werden, der diese Art von Verletzungen zu behandeln weiß.



Abbildung 77 Verwenden Sie bei der Lecksuche **UNTER KEINEN UMSTÄNDEN** Finger oder Hände.

## 17. BESCHREIBUNG

### 17.1. Definitionen

Hier unten folgen Beschreibungen von diverserem Zubehör, das zusammen mit dem Anbaugerät und dem Frontlader verwendet werden kann.

#### 17.1.1. 3. Funktion

Zusätzliche Hydraulikfunktion zur Betätigung von Aggregathydraulik.

#### 17.1.2. ErgoDrive / ErgoDrive LCS

Der Montagesatz beinhaltet ein mechanisches Steuerventil und mechanische Bedienelemente sowie einen Hydraulikanschluss für das betreffende Traktormodell.

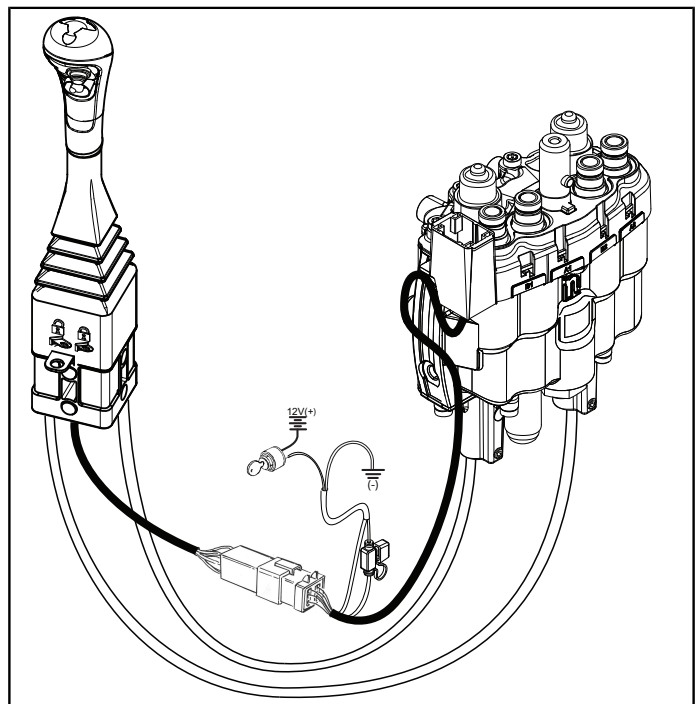
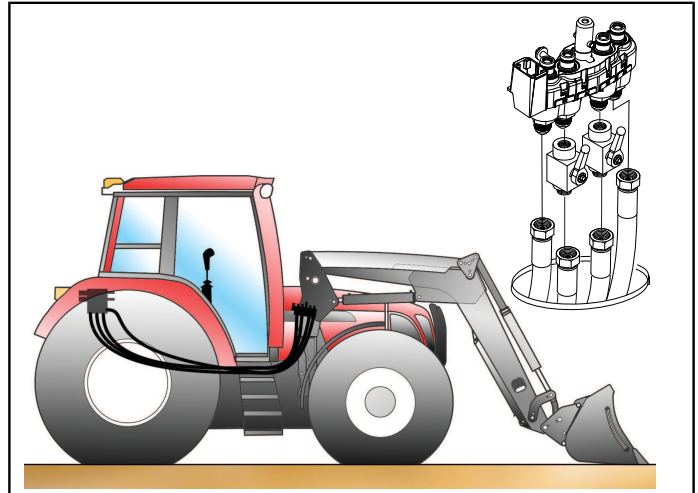


Abbildung 78 ErgoDrive

### 17.1.3. ElectroDrive CDC / ElectroDrive LCS / EasyDrive LCS

Montagesatz siehe oben, aber mit elektrischem Steuerventil und elektrischen Bedienelementen.

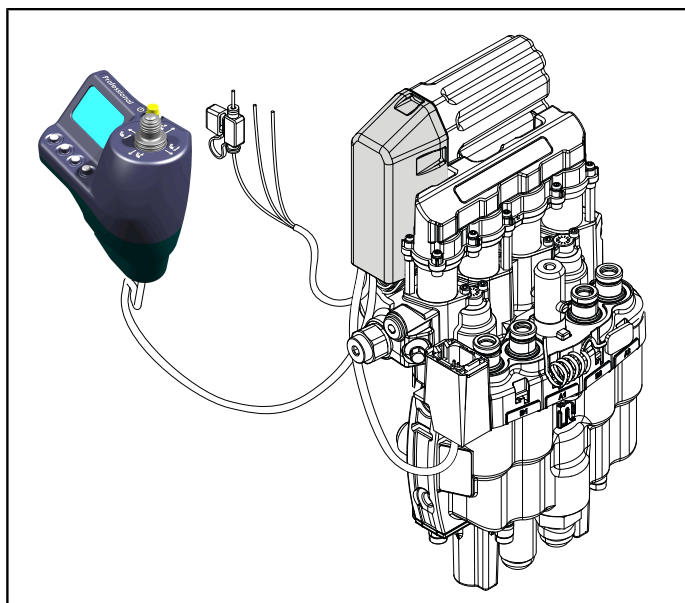


Abbildung 79 ElectroDrive

### 17.1.4. Schlauch-satz

Schläuche und Hydraulikkomponenten zum Anschluss des Laders an die Originalventile des Traktors.

Abbildung 80 Schlauchsatz

## 17.2. Gerätehalterungen

Das Gerät kann mit verschiedenen Arten von Gerätehaken ausgerüstet werden, abhängig von der Befestigung des Laders/der Basismaschine. Es gibt verschiedene Befestigungssysteme für die Haken; geschweißt oder mit unterschiedlichen Systemen zur Befestigung mit Bolzen. Kontaktieren Sie Älö AB, um Informationen zu den verschiedenen verfügbaren Gerätehaken zu erhalten. Achten Sie genau darauf, dass der Haken des Geräts mit dem Befestigungssystem der Basismaschine kompatibel ist. **Niemals improvisieren oder Anpassungen vornehmen!**

Stellen Sie vor dem Gebrauch sicher, dass die Befestigung des Geräts ordnungsgemäß entsprechend der für den Lader/ die Basismaschine und die Gerätehalterung geltenden Anweisungen erfolgt.

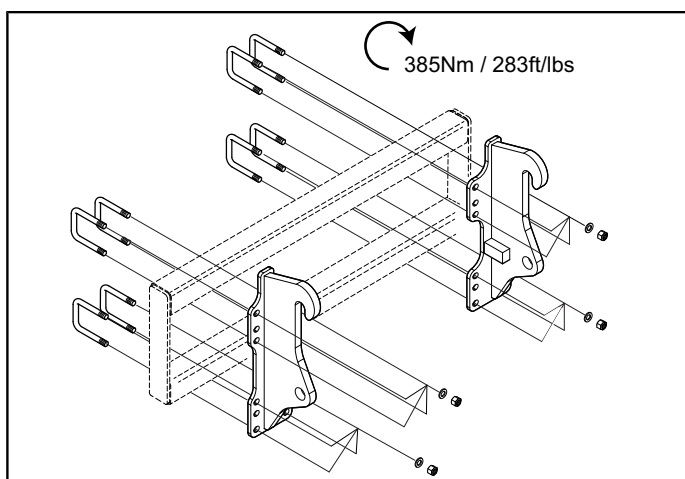


Abbildung 81 Das Gerät kann mit verschiedenen Arten von Gerätehaken ausgerüstet werden.

## 18. FAHRANWEISUNGEN

### 18.0.1. Verwendungszweck

Das Gerät besitzt zwei Greifarme zum Heben des Materials. Transportieren Sie das Material so niedrig wie möglich. Das Hauptanwendungsgebiet ist:

Während der Fahrt den Lader möglichst tief absenken. Je höher der Lader angehoben wird, desto höher liegt der Schwerpunkt und desto größer ist die Gefahr, dass der Traktor umstürzt.

### 18.0.2. Montage

Das Gerät wird nicht komplett zusammenmontiert ausgeliefert.

**Der Zylinder** wird im beiliegenden Zubehörpaket geliefert. Die Befestigungen und Schläuche zwischen Gerät und Lader werden in separaten Sätzen mitgeliefert. Der Zylinder (1) wird mit den Ölanschlüssen nach hinten gerichtet montiert. Die Steckbolzen (2) müssen mit den Schrauben (3) gesichert werden, siehe Abbildung. Die Zylinderlager müssen vor Montage der Steckbolzen gefettet werden.

**Begrenzungshebel.** Die Bewegung des rechten bzw. linken Greifbügels kann mit Hilfe des Hebels (4) begrenzt werden. Der Hebel wird zwischen Rahmen und Bolzen montiert. Mit dem montiertem Hebel können Ballen dichter abgelegt werden. Beim Handling von Ballen mit einem Durchmesser von 120 cm muss die äußere der beiden Bohrungen im Hebel genutzt werden (gilt für Flexigrip 160).

#### Back Stop

Som en extra säkerhetsåtgärd kan man montera en s.k. Back Stop. Denna hindrar balar från att rulla bakåt över traktorföraren. Den finns att beställa som tillbehör.

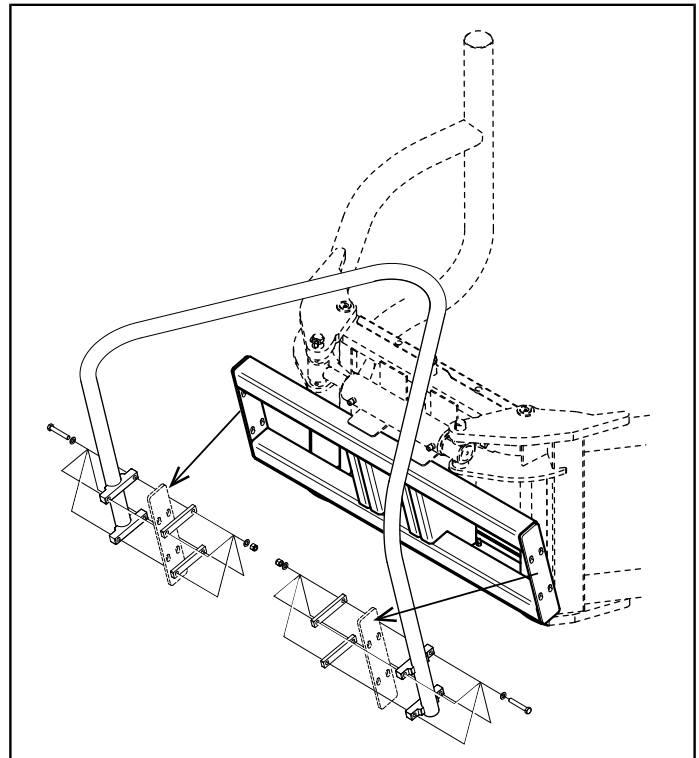


Abbildung 82 Montage von Schlauchsatz

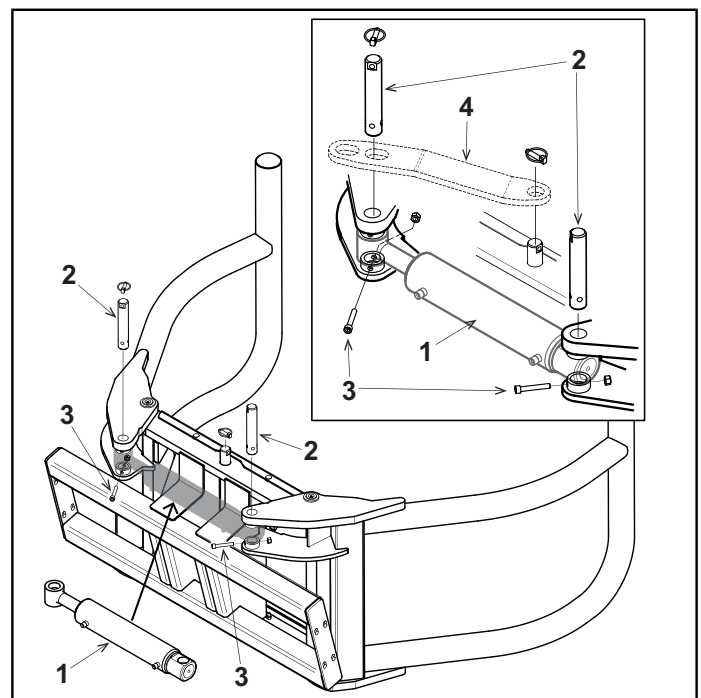


Abbildung 83 Montage von Zylinder und Arretierhebel

Abbildung 84 Montage von BackStop

Schlauch-satz

Schläuche mit dem Zylinder verbinden.

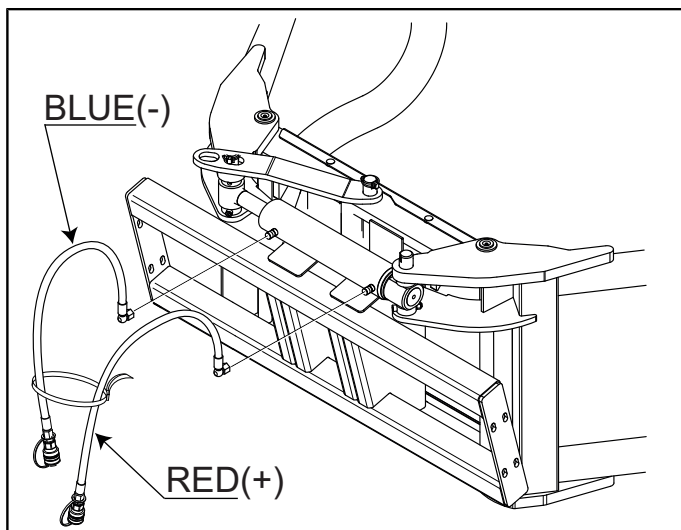
Der Schlauch, der mit der Minusseite (-) des Zylinders verbunden ist, muss rot markiert sein.

Der Schlauch, der mit der Plusseite (+) des Zylinders verbunden ist, muss blau markiert sein.

Der Lader muss mit einem doppelwirkenden Ölanschluss an der Geräteverriegelung ausgestattet sein.



**Achtung!**  
 Nachdem Sie die Hydraulikschläuche montiert haben, prüfen Sie, ob diese lang genug sind bzw. stellen Sie sicher, dass diese nicht durch Gerätehalterung, Laderschwinge oder Gelenke eingeklemmt werden können. Verändern Sie bei Bedarf die Position der Schlauchanschlüsse.



Die Hakenaufnahme wird separat vom Händler bestellt. Montage gemäß beiliegender Anweisung.

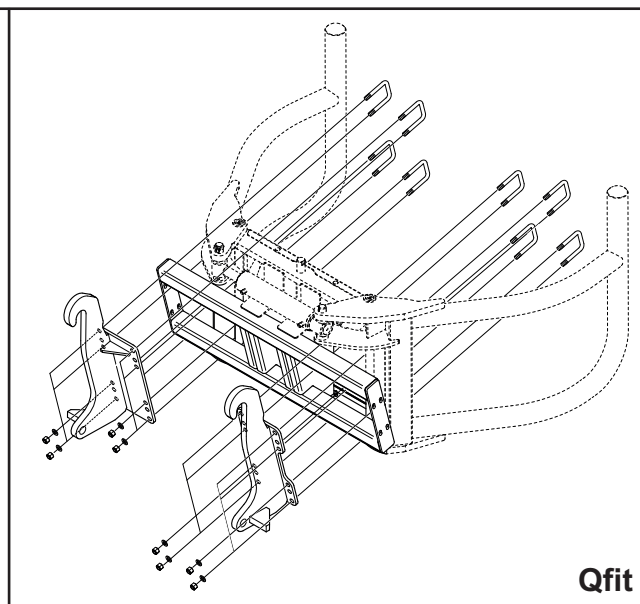
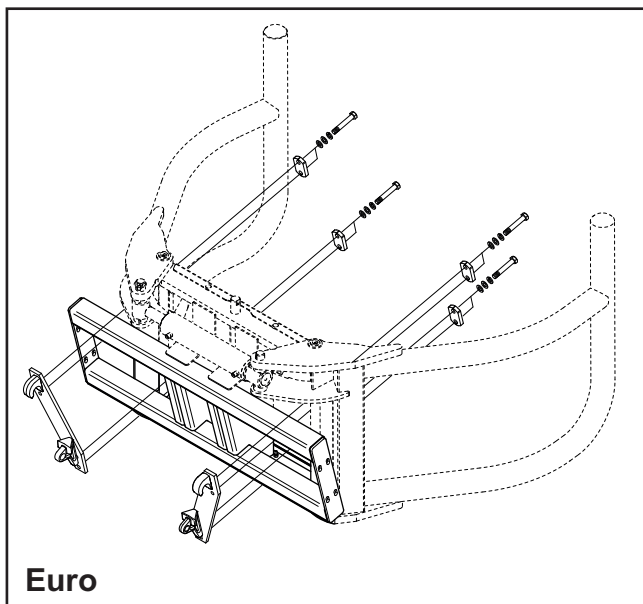


Abbildung 85 Beispiel für Montage der Hakenaufnahme

## 18.1. Inbetriebnahme des Geräts

Überprüfen Sie sorgfältig, dass

1. Der Schlauch muss an den Pluspol des Zylinders (rote Markierung) angeschlossen werden und das Arbeitsgerät muss sich gemäß der Beschreibung öffnen/schließen.
2. keine Leckage von Hydrauliköl vorkommt,
3. Das Arbeitsgerät ist korrekt in der Halterung montiert und die Bolzen befinden sich in geschlossener Position. Drücken Sie die Spitze des Arbeitsgeräts gegen den Boden (1), um den festen Sitz (2) des Arbeitsgeräts zu kontrollieren.

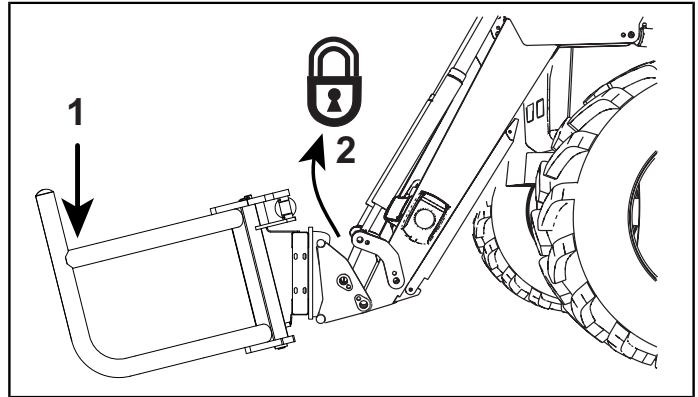


Abbildung 86 Prüfen Sie, ob das Gerät fest sitzt, indem Sie die Spitze auf den Boden drücken.

4. keine Kollisionsgefahr zwischen Lader und Gerät besteht (siehe Abbildung).
5. Schmierung des Geräts gemäß 19. *Schmierung und Wartung*.

Siehe auch unter "An- und Abkuppeln von Geräten" in der Betriebsanleitung des Laders.

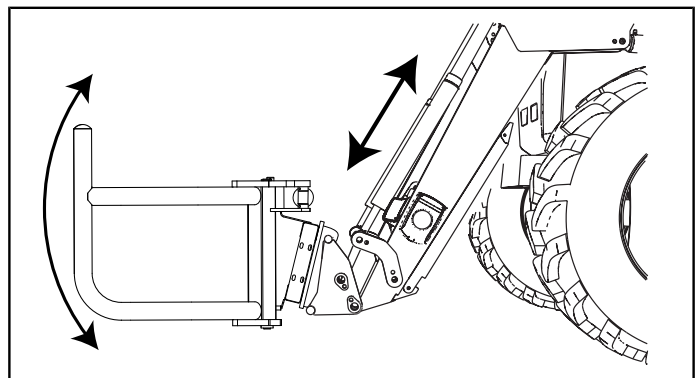


Abbildung 87 Vorsichtig kontrollieren, dass keine Kollisionsgefahr zwischen Lader und Gerät besteht.



### Achtung!

Unter einem angehobenen Lader NIE stehen, gehen oder arbeiten. Sicherstellen, dass alle Einzelpersonen – vor allem Kinder – sowie Tiere sich aus dem Arbeitsbereich entfernen.



Abbildung 88 Unter einem angehobenen Lader NIE stehen, gehen oder arbeiten.



### 18.1.1. Gerät ankippen / abkippen

Montage rechts: Den Hebel nach links bewegen (4), um das Gerät anzukippen.

Den Hebel nach rechts (5) führen, um das Gerät auszukippen.

*Hinweis:* Bei Montage links sind die Bewegungen umgekehrt (ausgenommen EasyDrive LCS und ElectroDrive LCS, die nur rechts montiert lieferbar sind).

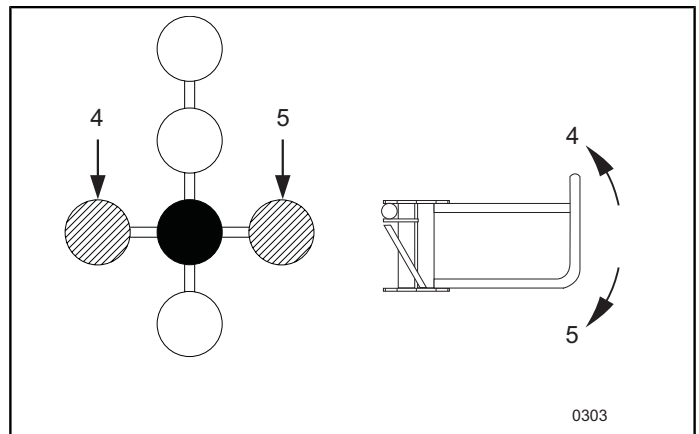


Abbildung 89 Gerät ankippen / abkippen

### 18.1.2. Gerät öffnen/schließen - EasyDrive LCS und ElectroDrive LCS

Um das Arbeitsgerät zu öffnen und zu schließen, wird die durch den Schalter F2 gesteuerte dritte hydraulische Funktion verwendet.

Wird der Hebel nach rechts (5) bewegt, öffnet sich das Arbeitsgerät. Wird der Hebel nach links (4) bewegt, schließt sich das Arbeitsgerät (Montage rechts).

*Hinweis:* Lassen Sie den Schalter für die 3. Hydraulikfunktion los, kehrt der Steuerhebel unmittelbar auf Entleerung/Hochkippen zurück.

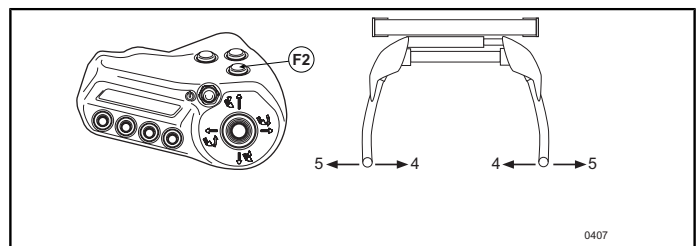


Abbildung 90 Gerät öffnen/schließen - EasyDrive LCS und ElectroDrive LCS

### 18.1.3. Gerät öffnen/schließen - ErgoDrive LCS/ErgoDrive

Um das Arbeitsgerät zu öffnen und zu schließen, wird die dritte hydraulische Funktion verwendet, die durch einen Schalter (A) auf der Rückseite des Joysticks gesteuert wird.

Wird der Hebel nach rechts (5) bewegt, öffnet sich das Arbeitsgerät. Wird der Hebel nach links (4) bewegt, schließt sich das Arbeitsgerät (Montage rechts).

Bei Montage links sind die Hebelbewegungen umgekehrt.

*Hinweis:* Lassen Sie den Schalter für die 3. Hydraulikfunktion los, kehrt der Steuerhebel unmittelbar auf Entleerung/Hochkippen zurück.

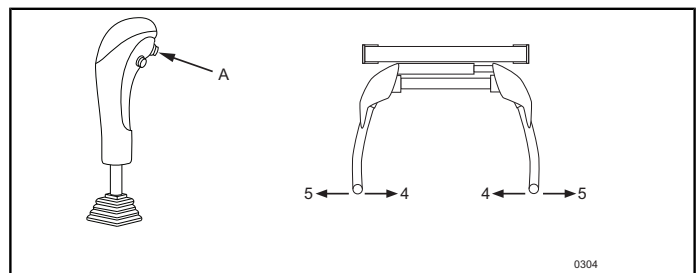


Abbildung 91 Gerät öffnen/schließen - ErgoDrive LCS/ ErgoDrive

### 18.1.4. Gerät öffnen/schließen - ElectroDrive CDC

Um das Arbeitsgerät zu öffnen und zu schließen, wird die durch den Schalter P2 gesteuerte dritte hydraulische Funktion verwendet.

Wird der Hebel nach rechts (5) bewegt, öffnet sich das Arbeitsgerät. Wird der Hebel nach links (4) bewegt, schließt sich das Arbeitsgerät (Montage rechts).

Bei Montage links sind die Hebelbewegungen umgekehrt.

Lassen Sie den Schalter für die 3. Hydraulikfunktion los, kehrt der Steuerhebel unmittelbar auf Entleerung/Hochkippen zurück.

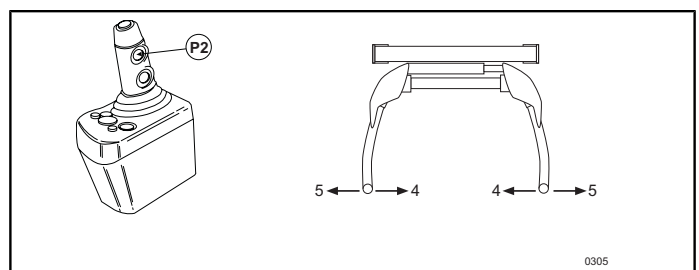


Abbildung 92 Gerät öffnen/schließen - ElectroDrive CDC

### 18.1.5. Gerät öffnen/schließen - Schlauchsatz

Schlauchsatz - Steuerhebel des Traktors, siehe Betriebsanleitung des Traktors.

### 18.1.6. Fahrerweisung

Um Schäden am Kunststoff zu vermeiden, ist der Greifarmoberteil auf Höhe des oberen Ballenabschlusses auszurichten. Transportieren Sie den Ballen liegend – zum Einlagern bzw. zum Laden richten Sie den Ballen in die stehende Position aus.

*Hinweis:* Der Ballen sollte in einer möglichst niedrigen Stellung gedreht werden.



#### **Achtung!**

**Bei langen Transportstrecken kann sich die Klemmkraft verringern, z.B. aufgrund von internen Öllecks im Steuerventil des Laders. Dadurch kann der Ballen herabfallen.**

Um wegen internen Öllecks keine Ballen zu verlieren, kann man anhalten und die Klemmkraft am Ballen in regelmäßigen Abständen nachstellen oder das Anbaugerät mit einem Lashalteventil (Sonderausrüstung) ausstatten.

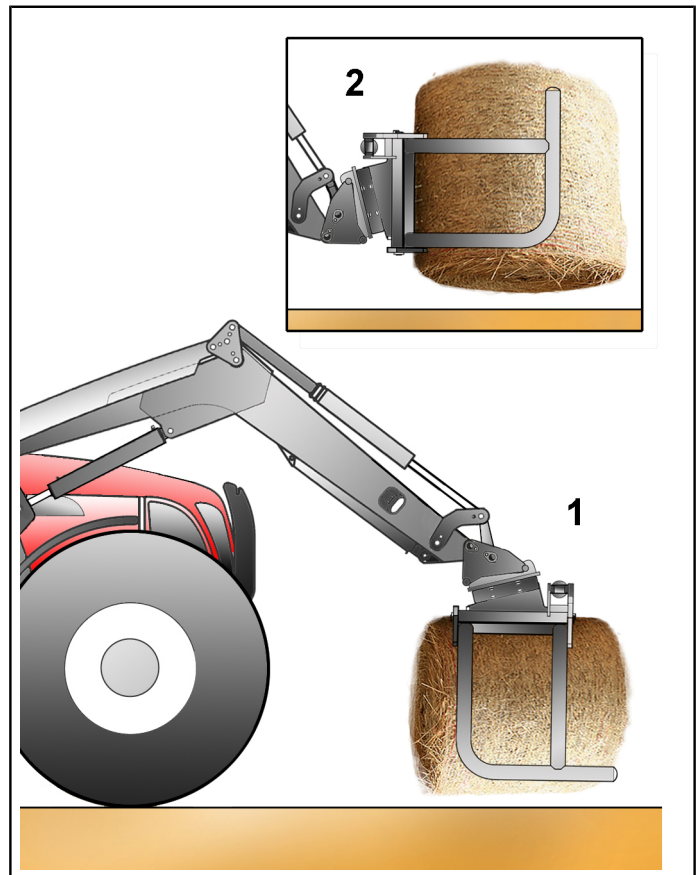


Abbildung 93 Transportieren Sie den Ballen liegend – zum Einlagern bzw. zum Laden richten Sie den Ballen in die stehende Position aus.

### 18.1.7. Abstellung

Kuppeln Sie das Gerät nicht mit dem Zylinder in Endstellung ab – dadurch können beim nächsten Anschluss der Schnellkupplung Probleme durch Überdruck auftreten.

Siehe auch unter "An- und Abkuppeln von Geräten" in der Betriebsanleitung des Laders.

## 19. SCHMIERUNG UND WARTUNG



**Achtung!**  
Stehen Sie nie zwischen der Front des Traktors  
und dem Querträger des Laders.



0106

Abbildung 94 Stehen Sie nie zwischen der Front des Traktors  
und dem Querträger des Laders.

### 19.1. Schmierpunkte

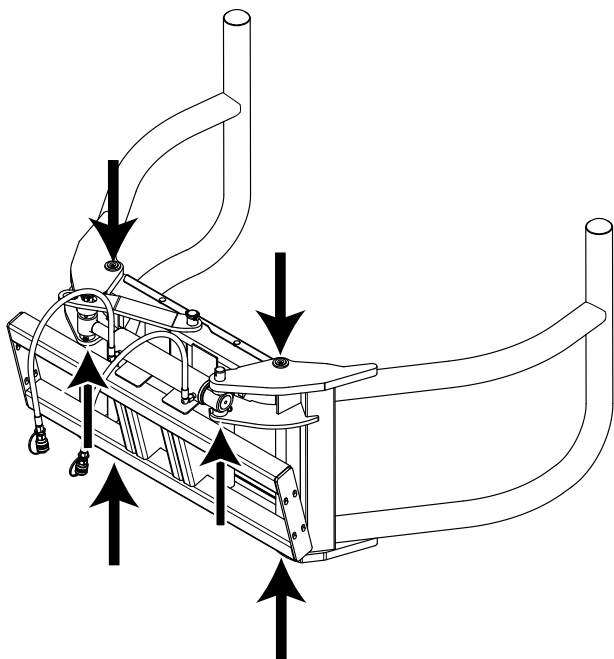
Alle Lagerpunkte sind mit Buchsen versehen, die unter Normalbedingungen nur einmal im Monat geschmiert werden müssen.



**Achtung!**  
Quetsch- und Klemmgefahr.  
Der Lader kann herunterfallen.

Vor Beginn der Schmierung das Gerät auf den  
Boden absenken und das Gerät schließen.

Abbildung 95 Schmierpunkte.



### 19.2. Aufbewahrung

Sichtbare Kolbenstangen zum Schutz mit einer dünnen  
Fettschicht bestreichen.

## 19.3. Schläuche und Zylinder

Lesen Sie dies, bevor Sie die Hydraulikanlage auf Undichtigkeiten überprüfen.



### **Achtung!**

**Unter Druck stehendes Öl.**

Hydrauliköl, das an undichten Stellen unter hohem Druck austritt, kann die Haut durchdringen und schwere Verletzungen, Blindheit oder Todesfälle verursachen. Undichte Stellen sind nicht immer mit bloßem Auge zu erkennen.

Tragen Sie vorschriftsmäßige Schutzbrillen und schützen Sie Ihre Hände durch kräftige Lederhandschuhe o.ä. Verwenden Sie bei der Suche nach undichten Stellen einen Karton oder eine Holzplatte. Falls Flüssigkeit durch die Haut eingedrungen ist, MUSS diese in den nächsten Stunden durch einen Arzt beseitigt werden, der diese Art von Verletzungen zu behandeln weiß.



Abbildung 96 Verwenden Sie bei der Lecksuche UNTER KEINEN UMSTÄNDEN Finger oder Hände.

Kontrollieren Sie Schläuche und Anschlüsse regelmäßig auf Abnutzung und Undichtigkeiten. Sorgen Sie dafür, dass die Schläuche genügend Platz haben und sich nicht an anderen Bauteilen reiben. Tauschen Sie beschädigte Schläuche aus und ziehen Sie alle Anschlüsse fest.

Die Zylinder sind doppelwirkend. Sie müssen in gutem Zustand gehalten werden, um eine optimale Funktion zu erzielen. Undichtigkeiten, ob innere oder äußere, beeinträchtigen die Leistung und können gefährlich sein.

Für die optimale Funktion des Geräts ist eine mit hohem Druck arbeitende Hydraulikanlage erforderlich. Verwenden Sie nur vom Hersteller genehmigte Ersatzteile.

### **19.3.1. Überprüfung von Hydraulikanschlüssen**

Überprüfen Sie, ob alle Schläuche und Adapter festgezogen und dicht sind.

### **19.3.2. Reparatur von Hydraulikzylindern**

Für Ausbau, Reparatur und Einbau von Hydraulikzylindern sind Spezialwerkzeuge erforderlich, um Schäden an inneren Bauteilen zu vermeiden. Es empfiehlt sich, einen zu reparierenden Zylinder zur Bearbeitung an einen Vertragshändler zu schicken.

## 20. TECHNISCHE DATEN

Modell	160	200
Gewicht, ohne Haken	235 kg	260 kg
Zylinder	80 mm / 40 mm	80 mm / 40 mm
Ballengröße	120-160 cm	150-200 cm
Maximales Ballengewicht	1000 kg	1000 kg
Max. Arbeitsdruck	200bar / 20MPa *)	

\*) Ist der Arbeitsdruck höher als 200 bar, muss der Druck begrenzt werden. Das entsprechende Set zur Druckbegrenzung kann als Zubehör bestellt werden.

### 20.1. Tabelle mit Empfehlungen

Ladermodell	Max. Last
X21	650 kg
X31, X41	750 kg
X51	800 kg
X26	950 kg
Q21 (+1.1), Q31 (+2.1), Q26 (+1.1P)	1000 kg
Q36 (+2.1P)	1000 kg
X36, Q33 (+2.3)	1000 kg
X46, Q41 (+3.1)	1000 kg
X56, Q51 (+4.1), Q38 (+2.3P), Q46 (+3.1P), Q49 (+3.4P)	1000 kg
Q56 (+4.1P)	1000 kg
Q48 (+3.3P)	1000 kg
Q61 (+5.1), Q58 (+4.3P)	1000 kg
Q66 (+5.1P)	1000 kg
Q68 (+5.3P), Q76 (+6.1P), Q78 (+6.3P), Q88 (+7.3P), Q98 (+8.3P)	1000 kg
Radlader / Teleskoplader	1000 kg

## **21. GARANTIEBEDINGUNGEN**

ÅLÖ AB verpflichtet sich, innerhalb eines Zeitraums von 12 (zwölf) Monaten nach dem Auslieferungstermin des Laders an den Käufer Teile auszutauschen oder zu reparieren, die Materialfehler aufweisen oder bei denen Herstellungsarbeiten zu beheben sind. Dies gilt unter der Voraussetzung, dass der Fehler dem Hersteller unmittelbar mitgeteilt wird und der fehlerhafte Lader bzw. das mangelhafte Teil diesem kostenfrei zur Verfügung gestellt wird.

Bei ausgetauschten Teilen gilt die Garantie lediglich für den Rest der Garantiezeit.

Die Garantie deckt keine Fehler ab, die durch Unfälle, mangelhafte Wartung, Änderungen oder falsche Montage auf Seiten des Käufers verursacht werden. Bei einem Austausch von Teilen, die besonders starker Abnutzung ausgesetzt sind, im Rahmen der Garantie hat der Käufer eine Nutzungsgebühr für den Zeitraum der Nutzung zu zahlen.

Es wird keine Entschädigung für Verletzungen, Ausfallzeiten, Folgeschäden oder sonstige Verluste geleistet.

Prüfungen oder Fehlersuchen auf Verlangen des Käufers ziehen keine Kosten für den Käufer nach sich, falls dabei Mängel festgestellt werden.

Andernfalls trägt der Käufer sämtliche Kosten.

Provisorische Reparaturen oder Mehrkosten durch Arbeiten, die außerhalb der normalen Arbeitszeit ausgeführt wurden, werden nicht erstattet.

## **EU-KONFORMITÄTSERKLÄRUNG**

(Richtlinie 2006/42/EG, Anhang 2A)

ÅLÖ AB

Brännland 300

SE-901 37 Umeå, Schweden

Tel. +46 (0)90 17 05 00

versichert hiermit, dass

In diesem Buch beschriebene Gerätemodelle, siehe Titelseite, ab Herstellungsmonat November 2015.

A. übereinstimmend mit den RICHTLINIEN DES RATS:

- vom 17. Mai 2006 bezüglich der gegenseitigen Annäherung der Gesetzgebung der Mitgliedstaaten zu Maschinen, 2006/42/EG, unter besonderem Hinweis auf Anhang 1 der Richtlinie über wesentliche Gesundheits- und Sicherheitsvorschriften bei der Konstruktion und Herstellung von Maschinen

B. übereinstimmend mit folgenden harmonisierten Standards hergestellt wird:

EN ISO 12100:2010, EN ISO 4413:2010, EN 12525:2000+A2 2010.

Die RISE SMP Svensk Maskinprovning AB, Box 7035, SE-75007 Uppsala, Schweden, hat eine freiwillige Typenprüfung für die ÅLÖ AB durchgeführt. Das Zertifikat besitzt die Nummer SEC/09/2051 - Hydraulikgeräte.

Die Befugnis zur Zusammenstellung der technischen Dokumentation innerhalb von ÅLÖ AB wurde Anders Lundgren, Executive Vice President R&D, erteilt.



Umeå 2022-09-01

Niklas Åström

Geschäftsführer

**UK DECLARATION OF CONFORMITY** **UK  
CA**

(Gilt für den britischen Markt)

Address: Manufacturer

ÅLÖ AB

Brännland 300

SE-901 37 Umeå, Sweden

Tel. +46 (0)90 17 05 00

Address: Authorized representative

Alo UK Ltd

Unit 1 Ryelands Business Centre,

Ryelands Lane,

Elmley Lovett,

Droitwich,

Worcestershire

WR9 0PT, UK

Hereby certifies that:

Attachment models described in this document, see front page, from and including manufacturing month November 2015.

- A. manufactured in conformity with the provisions in the Supply of Machinery (Safety) Regulations 2008,
- B. manufactured according to the following designated standards: BS EN ISO 12100:2010, BS EN ISO 4413:2010, BS EN 12525:2000+A2:2010.

RISE SMP Svensk Maskinprovning AB, Box 7035, SE-75007 Uppsala, Sweden, has carried out voluntary type examination for ÅLÖ AB. The certificate has number: SEC/09/2051 – hydraulic implements.

The person authorized to compile technical documentation at ÅLÖ AB is Anders Lundgren, Executive Vice President R&D.



Umeå 2022-09-01

Niklas Åström

President and Chief Executive Officer (CEO)

## 22. PRÉFACE

### 22.1. Autres informations



**Avertissement !**

Une utilisation imprudente ou incorrecte peut entraîner des blessures graves voire fatales pour le conducteur et les personnes alentour. Respectez les consignes de sécurité.

Ce manuel d'instruction décrit l'utilisation et l'entretien de l'outil. L'information fournie dans le manuel était correcte au moment de la mise sous presse. Veuillez consulter votre concessionnaire s'il y a quelque chose dans le manuel que vous ne comprenez pas.

Un manuel d'utilisation est fourni avec chaque outil afin que l'utilisateur sache comment le manier et l'entretenir. Lisez et appliquez les informations qu'il contient afin de pouvoir utiliser l'outil en toute sécurité en minimisant la durée d'immobilisation. Dans un souci de facilité, l'entretien s'effectue avec des outils à main courants.

Lisez et étudiez soigneusement les textes de ce manuel avant de commencer à utiliser l'outil. Si votre expérience de conduite est restreinte, étudiez le manuel d'utilisation et demandez à un conducteur expérimenté de vous assister. Votre concessionnaire peut vous aider à apprendre l'opération de la machine ainsi que des méthodes de travail appropriées. Veillez à ce que ce manuel soit aisément à portée de main, de préférence à l'intérieur du tracteur. Procurez-vous un nouvel exemplaire si l'original est endommagé ou perdu.

Lire également le manuel d'instructions, il contient des informations importantes pour la sécurité.



**Prudence !**

Lisez la totalité du manuel d'instructions avant de commencer à utiliser le produit.

Nous nous réservons le droit d'introduire à tout moment et sans engagements ou préavis des modifications en ce qui concerne l'aspect et les spécifications ou des améliorations.

Complétez les informations indiquées sur la plaque signalétique de l'outil et mentionnez-les toujours lorsque vous contactez votre revendeur.

Cette plaque indique :

Produit, type, numéro de référence, numéro de série et poids.

Indiquez toujours le produit (A), le type (B) et le numéro de série (C) pour toute requête de maintenance ou de pièces de rechange.

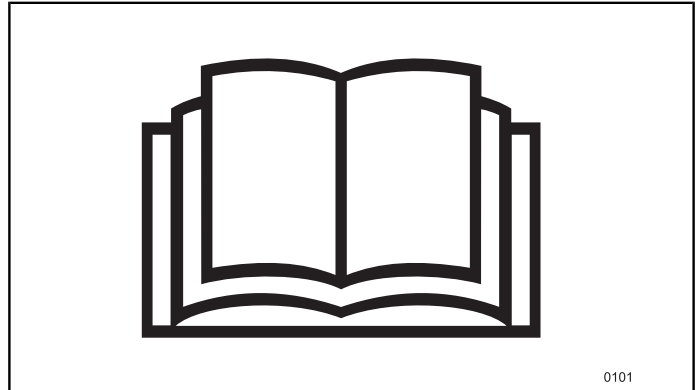


Fig.97 Lisez la totalité du manuel d'utilisation avant de commencer à utiliser le produit.

**Information produit**

Product	
Type	
Ref. No.	
Serial No.	
Date	
Weight	
Manufacturer	
Reseller information	

Fig.98 Information produit

	Product	XXXXXXXXXXXXXXXXXXXXXXXXXXXX	<b>A</b> <b>B</b> <b>C</b>
	Type	XXXXXXXXXXXXXXXXXXXXXXXXXXXX	
Made by ÅTÖ AB Umeå Sweden Made in xxxxxxxx	Ref.No.	XXXXXXXXXX	Serial No. / year XXXXXXXXXXXX XXXXX
	Kit no.	XXXXXXXXXX	

Fig.99 Plaque machine.





## 23.2. Explication des niveaux de mise en garde

Lorsque vous voyez, sur un autocollant ou dans le manuel, un symbole de sécurité et une mise en garde, les instructions DOIVENT être suivies car elles concernent directement votre sécurité personnelle.

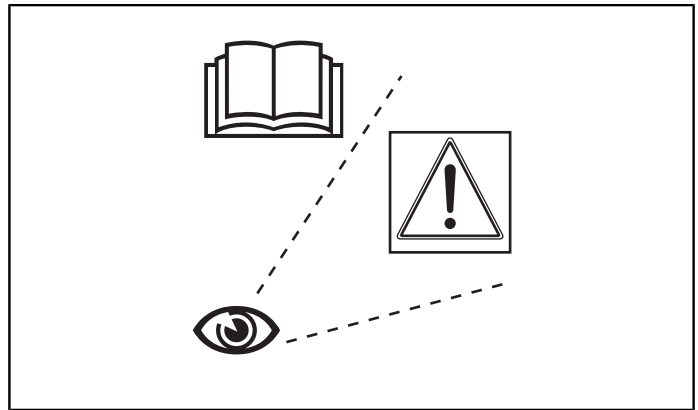


Fig.101 Localisez les autocollants et soyez sûr de bien comprendre la signification avant d'utiliser le chargeur et l'outil.

### 23.2.1. Explication des symboles

Symbole sécurité. L'information qui accompagne ce symbole concerne votre sécurité personnelle et doit être suivie.



**Danger !**

**Indique une situation dangereuse qui conduit à des blessures ou la mort. (Amérique du Nord)**



**Avertissement !**

**Indique qu'un accident peut se produire si la consigne n'est pas respectée. L'accident peut entraîner des dommages corporels graves sinon même mortels.**



**Prudence !**

**Indique qu'un accident peut se produire si la consigne n'est pas respectée. L'accident peut entraîner des dommages corporels.**

Le texte et les instructions qui suivent ne concernent pas la sécurité personnelle mais sont utilisés dans le manuel d'utilisation pour fournir des informations supplémentaires quant à l'utilisation ou l'entretien de l'outil.

**Important !** Indique qu'un accident peut se produire si la consigne n'est pas respectée. L'accident peut endommager le matériel ou son entourage.

*N.B.* Indique un supplément d'information pour faciliter la compréhension ou l'exécution d'une opération.

## 23.3. Encadrement et utilisateurs

### 23.3.1. Responsabilité



**Prudence !**

**Conservez toujours ce manuel d'utilisation et le manuel de conduite du tracteur à bord de ce dernier.**

- En l'absence de manuel d'utilisation, il convient de s'en procurer un auprès du concessionnaire avant de monter et d'utiliser le chargeur et l'outil.



Fig.102 Symbole sécurité.

- Lisez soigneusement toute la documentation et apprenez à utiliser l'équipement de manière sûre et correcte.

**⚠ Avertissement !**  
**Il ne faut PAS utiliser le chargeur ou l'outil comme plate-forme de travail.**

**⚠ Avertissement !**  
**L'outil doit être exclusivement utilisé pour ce à quoi il est destiné.**

**⚠ Avertissement !**  
**Ne saisissez pas d'objets susceptibles de déplacer anormalement le centre de gravité vers l'extérieur. Cela peut affecter la stabilité du véhicule.**

**⚠ Avertissement !**  
**NE PAS utiliser le chargeur pour élever ou transporter des personnes.**

- Laissez uniquement des personnes qualifiées conduire la machine

**⚠ Avertissement !**  
**Avant de démarrer ou déplacer la machine, contrôlez toujours l'environnement immédiat de la machine afin de vous assurer que personne, et en particulier des enfants ou des animaux, ne se trouve à proximité.**

Il se peut que vous ne puissiez pas entendre un appel en provenance de l'extérieur si vous vous trouvez dans la cabine avec la porte fermée.

**⚠ Danger !**  
**Pour éviter tout risque grave de pincement ou d'écrasement pouvant entraîner la mort : lorsque l'outil est utilisé, veillez à ce que toute personne et objet se tiennent à une distance de sécurité.**



Fig.103 Il ne faut PAS utiliser le chargeur ou l'outil comme plate-forme de travail.



Fig.104 Le chargeur ne doit PAS être utilisé pour soulever ou transporter des personnes.



Fig.105 Avant le démarrage, il convient donc de veiller à ce que personne ne se trouve à proximité de la machine.

Familiarisez-vous avec la zone de travail et la nature du terrain. Faites attention à la hauteur disponible et aux limites qu'impose l'augmentation de portée.

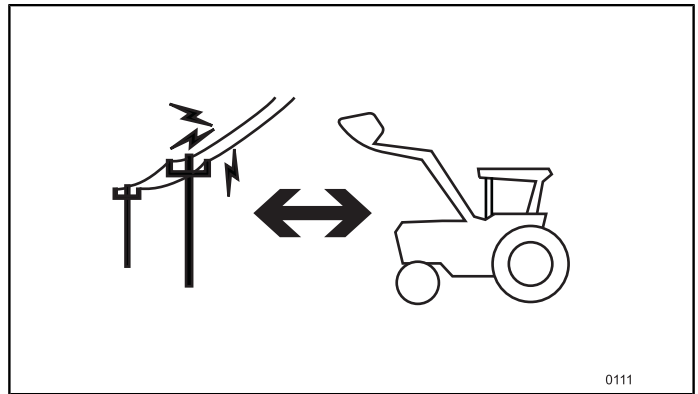


Fig.106 Familiarisez-vous avec la zone de travail avant de démarrer. Restez suffisamment éloigné des lignes électriques et d'autres obstacles.

**!** **Avertissement !**  
Toujours garder un œil sur l'outil. Des objets peuvent tomber devant le tracteur ou rouler vers l'arrière sur le conducteur, lorsque la charge est relevée. Soulever uniquement des charges destinées à l'usage de l'outil.

**!** **Avertissement !**  
Toujours garder un œil sur l'outil. Des objets peuvent chuter durant le transport. Transporter uniquement des objets destinés à l'usage de l'outil.

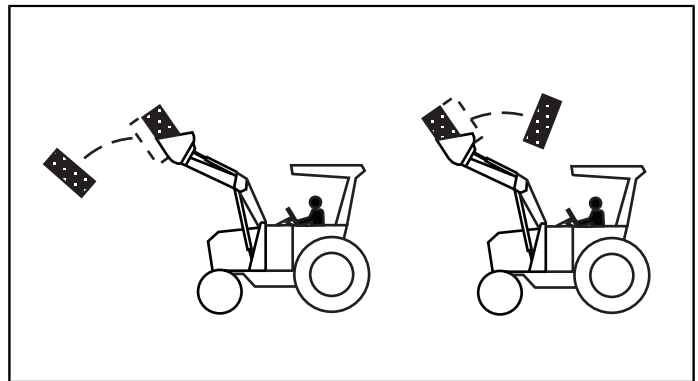


Fig.107 Toujours garder un œil sur l'outil. Des objets peuvent tomber devant le tracteur ou rouler vers l'arrière sur le conducteur lorsque la charge est relevée.

**!** **Avertissement !**  
Ne vous tenez jamais entre l'avant du tracteur et le tube transversal du chargeur.

**!** **Avertissement !**  
Risque d'écrasement et de coincement.  
Le chargeur peut s'affaisser.  
Abaissez le chargeur/l'outil jusqu'au sol avant de commencer le graissage.

**!** **Avertissement !**  
Contrôler lors du montage que les flexibles sont suffisamment longs et qu'ils ne risquent pas d'être coincés entre le porte-outil, le bras de chargeur et les liaisons. Si nécessaire, ajuster l'orientation des raccords des vérins.



Fig.108 Ne vous tenez jamais entre l'avant du tracteur et le tube transversal du chargeur.



**Avertissement !**  
**Huile sous pression.**

L'huile hydraulique sous haute pression peut, en cas de fuite, pénétrer à travers la peau et causer de graves blessures, la cécité voire la mort. La fuite peut être invisible.

Utilisez des lunettes de protection homologuées et protégez la peau avec des gants en cuir épais. Utilisez un morceau de carton ou de bois pour rechercher les fuites. Si du liquide a pénétré sous la peau, il **DOIT** être éliminé dans un délai de deux heures par un médecin compétent pour ce type de blessure.



*Fig.109 N'utilisez JAMAIS les doigts ou la main pour rechercher une fuite.*

## 24. DESCRIPTION

### 24.1. Définitions

Voici les descriptions des différents accessoires qui peuvent être utilisés avec l'outil et le chargeur frontal.

#### 24.1.1. 3ème fonction hydraulique

Fonction hydraulique supplémentaire pour la commande de l'hydraulique de l'outil et le verrou de celui-ci.

#### 24.1.2. ErgoDrive / ErgoDrive LCS

Le jeu de montage comprend une commande mécanique et un monolevier ainsi que les raccords hydrauliques pour le modèle de tracteur indiqué.

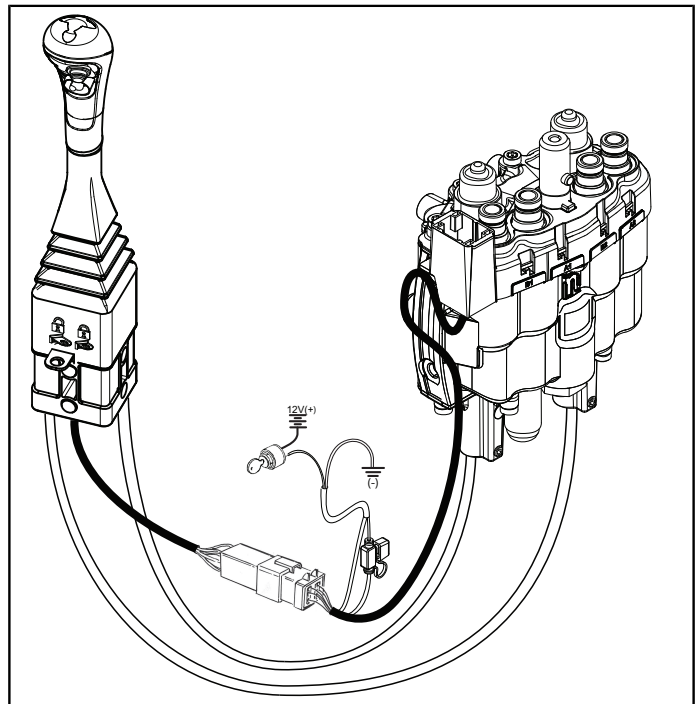
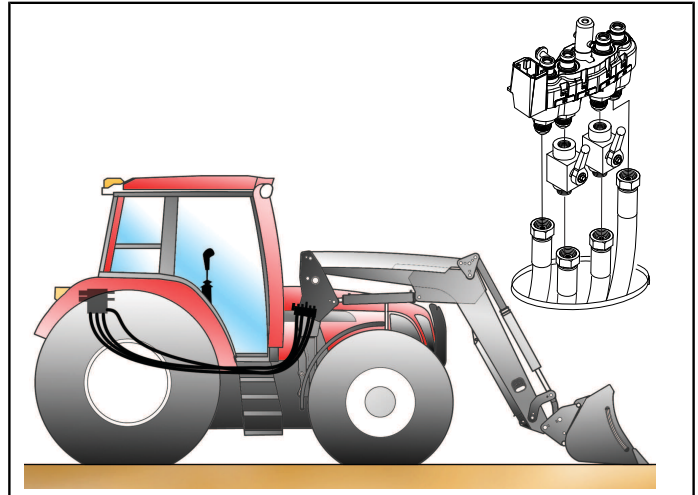


Fig.110 ErgoDrive

### 24.1.3. ElectroDrive CDC / ElectroDrive LCS / EasyDrive LCS

Jeu de montage comme ci-dessus mais avec distributeur de commande électronique et joystick.

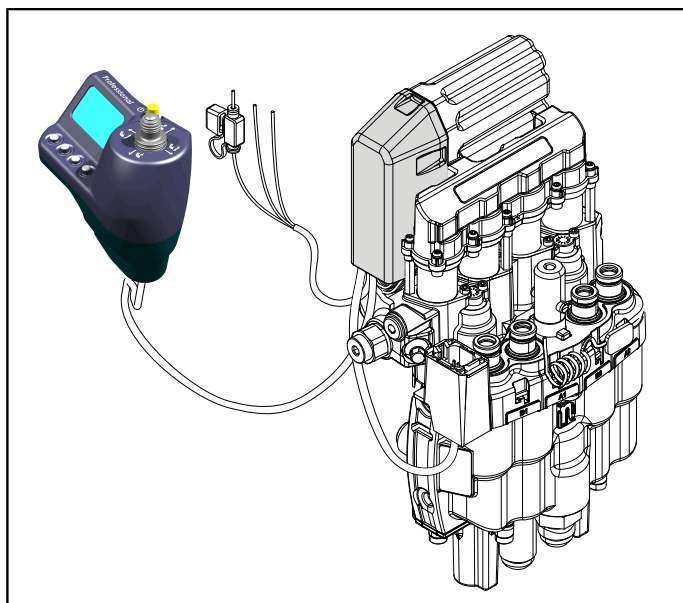


Fig.111 ElectroDrive

### 24.1.4. Jeu de flexibles

Flexibles et autres composants hydrauliques pour connecter le chargeur au distributeur originale du tracteur.

Fig.112 Jeu de flexibles

## 24.2. Porte-outil

L'outil peut être équipé de différents types d'accrochages d'outils, selon le type d'accouplement du véhicule porteur. Il existe différents systèmes de fixation pour les accrochages : soudés ou différents systèmes de boulonnage. Pour toutes informations concernant les accrochages d'outils disponibles, veuillez contacter Ålö AB. S'assurer que l'accrochage est compatible avec le système de fixation du chargeur/du porteur. **Ne jamais improviser ou adapter !**

Assurez-vous que le verrouillage de l'outil se déroule correctement, par rapport aux instructions actuelles du chargeur/du porteur avant toute utilisation.

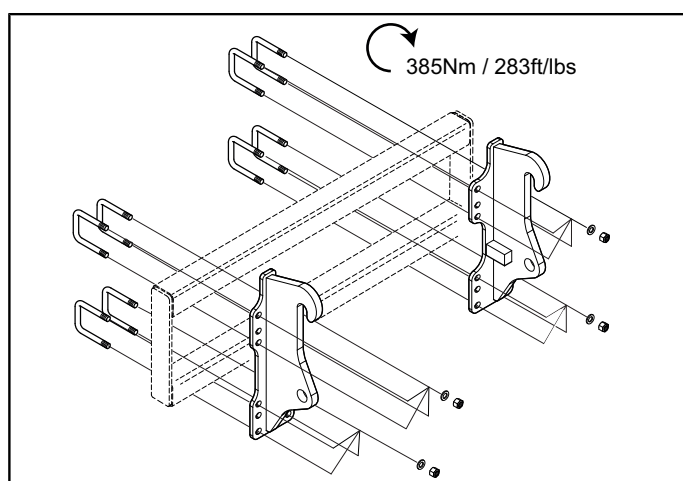


Fig.113 L'outil peut être équipé de différents types d'accrochages.

## 25. INSTRUCTIONS DE CONDUITE

### 25.0.1. Utilisation prévue

L'outil est muni de 2 bras preneurs destinés à supporter la charge transportée. Le transport doit s'effectuer le plus près possible du sol. Le domaine d'utilisation principal est la manutention de :

Abaissez le chargeur autant que possible en cours de route. Souvenez-vous que plus le chargeur est haut, plus le centre de gravité est élevé, ce qui augmente le risque de retournement du tracteur.

### 25.0.2. Montage

L'outil est livré en partie monté.

**Le vérin** est livré dans la caisse d'accessoire fournie. Les fixations et les flexibles entre l'outil et la machine sont livrées sous forme d'ensembles séparés. Le vérin (1) se monte avec les raccords d'huile vers l'arrière. Verrouiller les axes (2) à l'aide des vis (3) selon la figure. Graisser les paliers du vérin avant de monter les axes.

**Tirant limiteur de mouvement.** Le mouvement du bras droit ou gauche de la pince peut être limité à l'aide du tirant (4). Fixer le tirant entre le châssis et l'axe (2). Avec l'étaï en place, il est plus facile d'empiler les balles plus près l'une de l'autre. Lors de manutention de balles de 120 cm de diamètre, utiliser les deux trous de l'étaï extérieur (concerne Flexigrip 160).

#### Back Stop

Som en extra säkerhetsåtgärd kan man montera en s.k. Back Stop. Denna hindrar balar från att rulla bakåt över traktorföraren. Den finns att beställa som tillbehör.

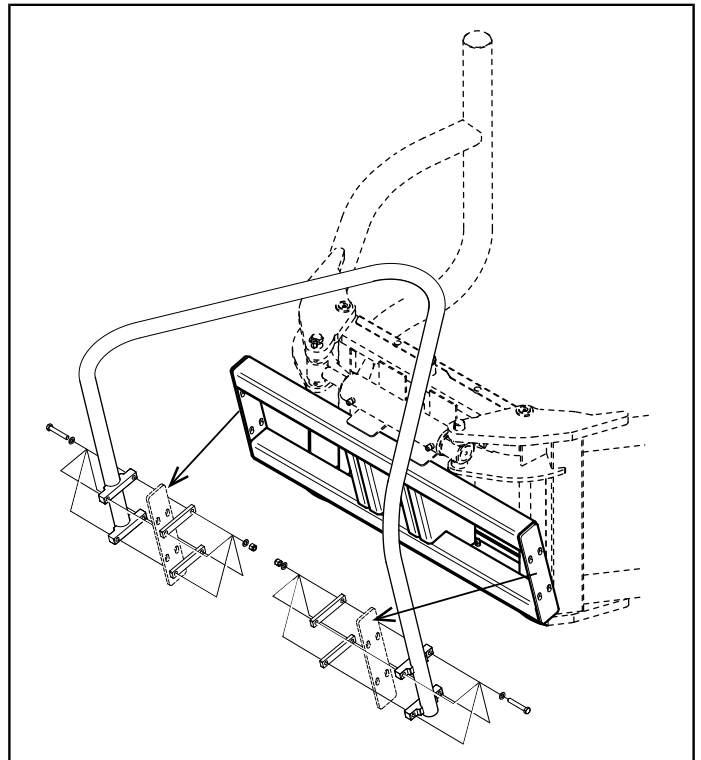


Fig.114 Montage du lot de flexibles

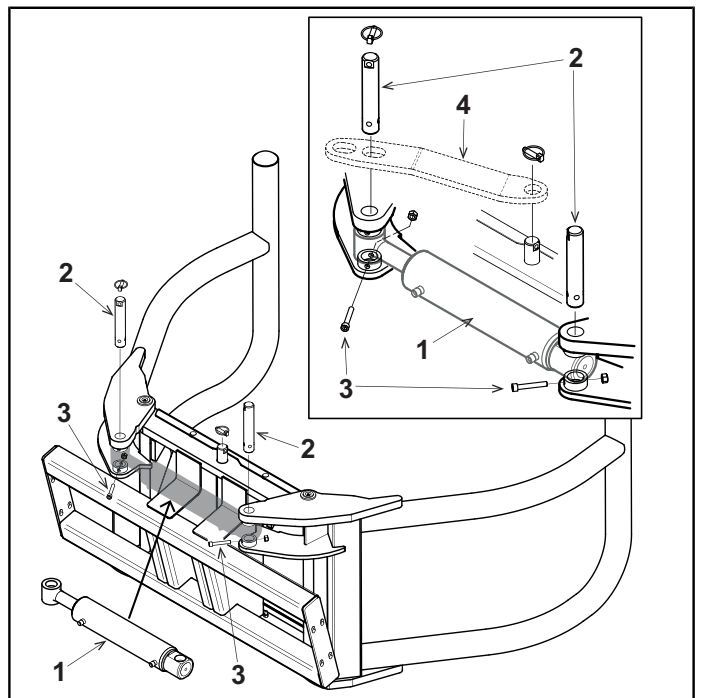


Fig.115 Montage du vérin et du tirant de verrouillage

Fig.116 Montage du BackStop



## Jeu de flexibles

Raccorder les flexibles au vérin.

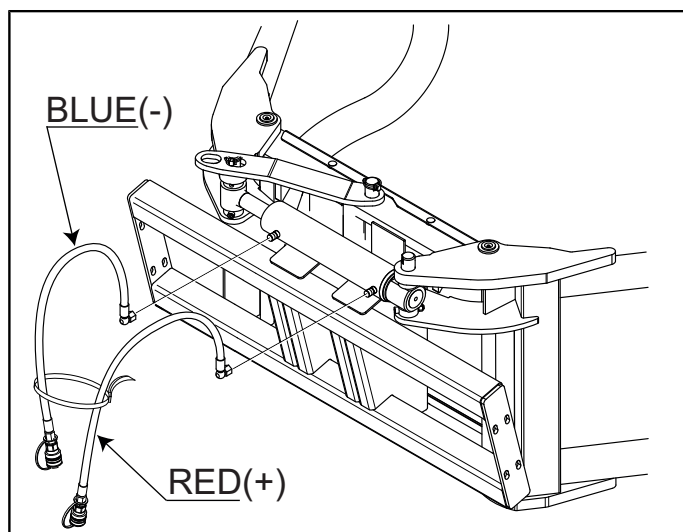
Le flexible relié au côté (+) du vérin doit être identifié par un repère rouge.

Le flexible relié au côté (-) du vérin doit être identifié par un repère bleu.

Le chargeur doit être équipé d'une prise d'huile double effet sur le porte-outil.

**Avertissement !**

**Contrôler lors du montage que les flexibles sont suffisamment longs et qu'ils ne risquent pas d'être coincés entre le porte-outil, le bras de chargeur et les liaisons. Si nécessaire, ajuster l'orientation des raccords des vérins.**



Le lot de crochets se commande séparément chez le revendeur. Se monte selon les instructions fournies.

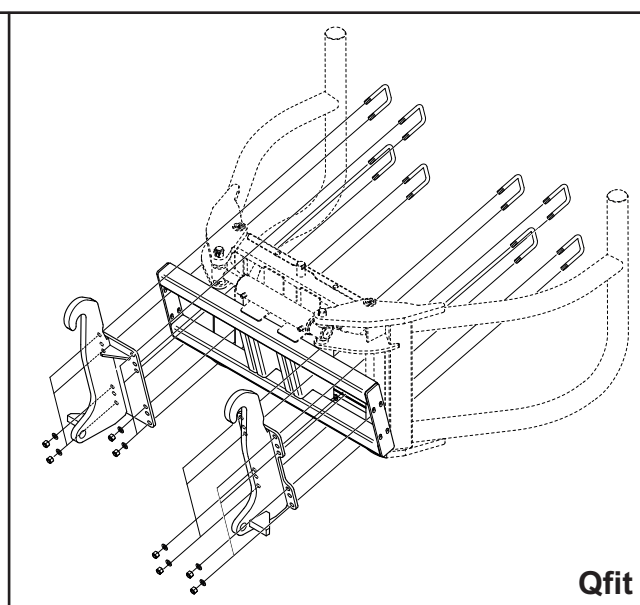
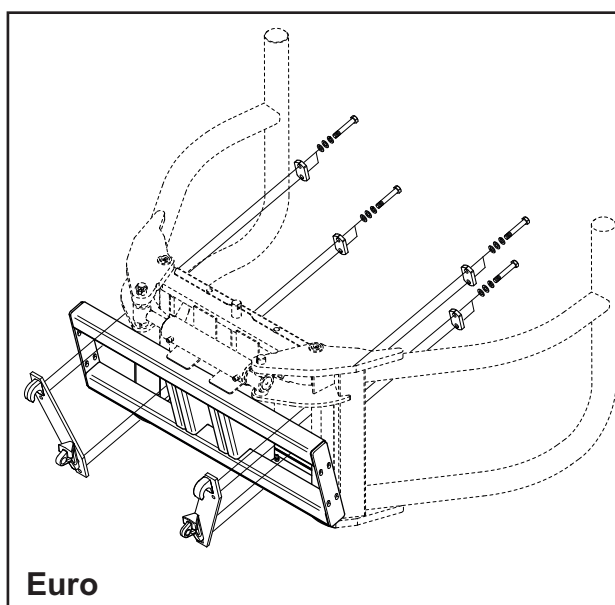


Fig.117 Exemples de montage du lot de crochets

## 25.1. Avant la mise en service de l'outil

Vérifiez avec soin

1. Que le flexible connecté du côté (+) du vérin comporte un repère rouge et l'outil se déplace comme indiqué entre position ouverte et fermée.
2. qu'il n'y a aucune fuite d'huile hydraulique.
3. Que l'outil est correctement monté sur le porte-outils et que les chevilles sont en position verrouillée. Appuyez l'extrémité de l'outil sur le sol (1) pour vous assurer qu'il est bien fixé sur le porte-outil (2).

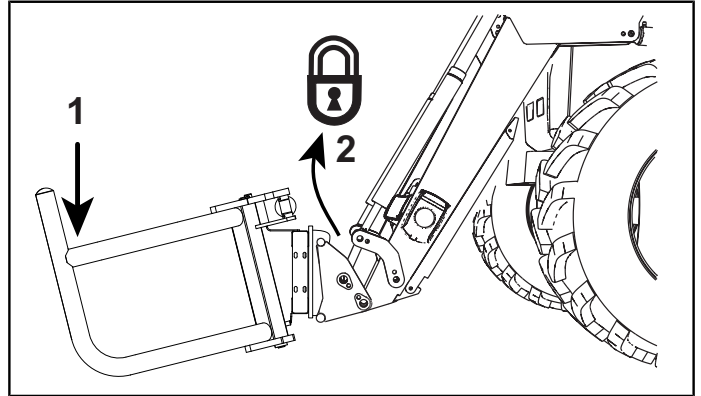


Fig.118 Vérifiez que l'outil est correctement fixé en pressant l'avant sur le sol.

4. Qu'il n'y a aucun risque de collision entre le chargeur et l'outil (voir illustration).
  5. Graisser l'outil selon 26. *Lubrification et entretien.*
- Voir également "Accouplement et désaccouplement de l'équipement" dans le manuel d'utilisation de la chargeuse.

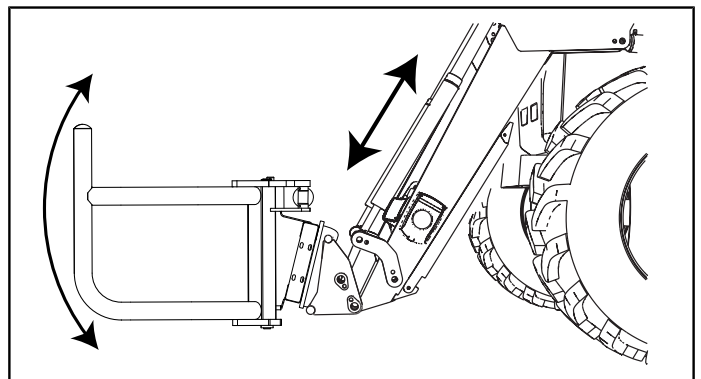


Fig.119 Vérifier avec précaution qu'il n'y a pas de risque de collision entre le chargeur et l'outil.



### Avertissement !

**NE PAS rester, marcher ou travailler sous un chargeur en position élevée. Veillez à ce que tout le monde, les enfants en particulier, ainsi que les animaux aient quitté la zone de travail.**



0106

Fig.120 NE PAS rester, marcher ou travailler sous un chargeur en position élevée.

### 25.1.1. Fonction bennage/cavage

Montage à droite : Poussez le levier vers la gauche (4) pour relever l'outil (caver).

Poussez le levier vers la droite (5) pour vider l'outil (Benner).

*N.B.* Dans le cas d'un montage à gauche, les mouvements sont inversés (ne concerne pas EasyDrive LCS et ElectroDrive LCS qui existent uniquement avec montage à droite).

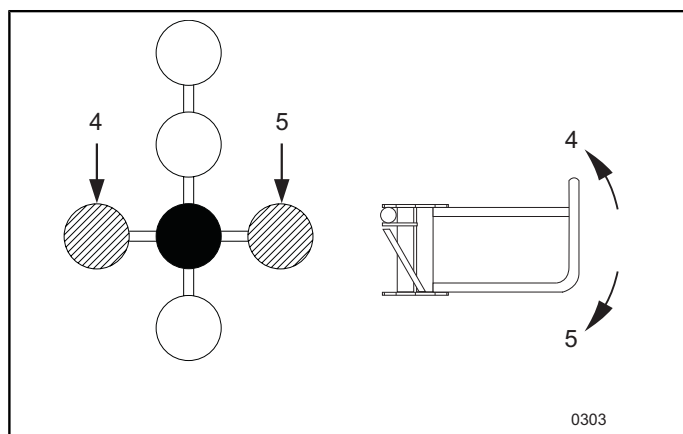


Fig.121 Fonction bennage/cavage

### 25.1.2. Pour ouvrir/fermer l'outil - EasyDrive LCS et ElectroDrive LCS

Pour ouvrir et fermer l'outil, il convient d'utiliser la troisième fonction hydraulique, commandée par l'interrupteur P2.

L'équipement s'ouvre en repoussant le levier vers la droite (5) et se ferme en le repoussant vers la gauche (4) (montage à droite).

*N.B.* Lorsque l'interrupteur de la troisième fonction hydraulique est relâché, la commande revient immédiatement en position fonction bennage/cavage.

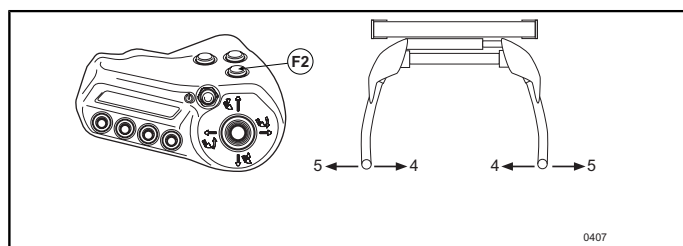


Fig.122 Pour ouvrir/fermer l'outil - EasyDrive LCS et ElectroDrive LCS

### 25.1.3. Ouvrir/fermer l'outil - ErgoDrive LCS/ErgoDrive

Pour ouvrir et fermer l'outil, il convient d'utiliser la 3ème fonction hydraulique, commandée par un interrupteur (A) situé sur le devant du joystick.

L'équipement s'ouvre en repoussant le levier vers la droite (5) et se ferme en le repoussant vers la gauche (4) (montage à droite).

Dans le cas d'un montage à gauche, les mouvements sont inversés.

*N.B.* Lorsque l'interrupteur de la troisième fonction hydraulique est relâché, la commande revient immédiatement en position fonction bennage/cavage.

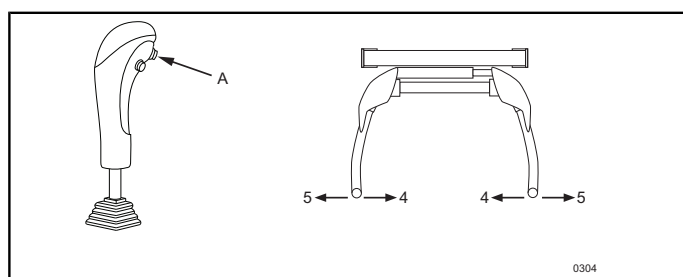


Fig.123 Ouvrir/fermer l'outil - ErgoDrive LCS/ErgoDrive

### 25.1.4. Pour ouvrir/fermer l'outil - ElectroDrive CDC

Pour ouvrir et fermer l'outil, il convient d'utiliser la troisième fonction hydraulique, commandée par l'interrupteur P2.

L'équipement s'ouvre en repoussant le levier vers la droite (5) et se ferme en le repoussant vers la gauche (4) (montage à droite).

Dans le cas d'un montage à gauche, les mouvements sont inversés.

Lorsque l'interrupteur de la troisième fonction hydraulique est relâché, la commande revient immédiatement en position fonction bennage/cavage.

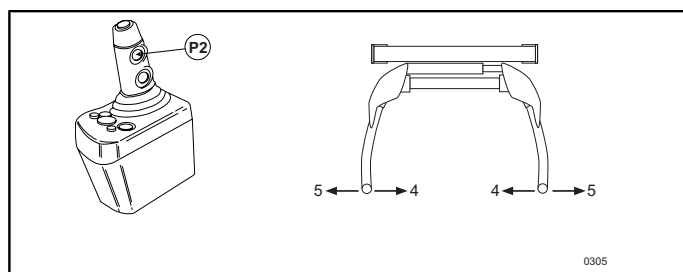


Fig.124 Pour ouvrir/fermer l'outil - ElectroDrive CDC

### 25.1.5. Pour ouvrir/fermer l'outil - Jeu de flexibles

Jeu de flexibles - Levier de commande du tracteur, voir le manuel de conduite de ce dernier.

### 25.1.6. Utilisation

Pour éviter d'endommager le plastique, placer la partie supérieure des bras preneurs à hauteur du bord supérieur de la balle. Transporter la balle dans le sens horizontal - la placer verticalement sur le site de chargement/entreposage.

*N.B.* Tourner la balle le plus près possible du sol.



#### Avertissement !

**Sur de longs trajets, la force de préhension peut diminuer à cause des fuites d'huile internes éventuelles dans le distributeur du chargeur, d'où le risque de chute de la balle.**

Afin d'éviter toute « chute de balles » en raison de fuite d'huile interne, vous pouvez arrêter et augmenter la force de serrage sur la balle à intervalles réguliers, ou équiper l'outil d'une vanne de maintien de charge (en option).

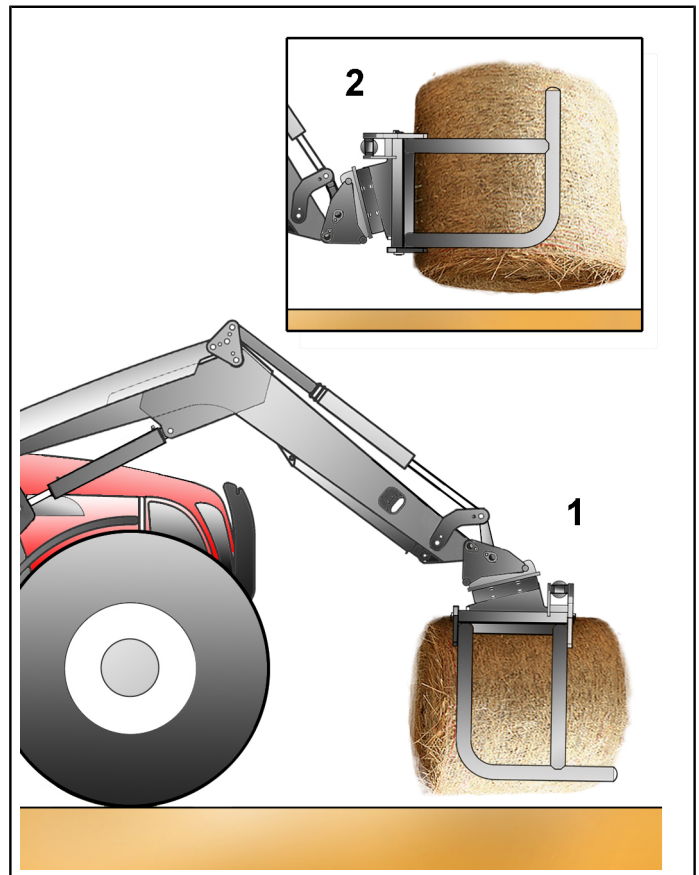


Fig.125 Transporter la balle près du sol et dans le sens horizontal - la placer verticalement sur le site de chargement/entreposage (2).

### 25.1.7. Stationnement de l'outil

Ne pas décrocher l'outil lorsque le vérin est sur l'une des butées. Des problèmes pourraient apparaître pour le raccordement de raccords rapide en raison de la surpression.

Voir également "Accouplement et désaccouplement de l'équipement" dans le manuel d'utilisation de la chargeuse.

## 26. LUBRIFICATION ET ENTRETIEN



**Avertissement !**

Ne vous tenez jamais entre l'avant du tracteur et le tube transversal du chargeur.



Fig.126 Ne vous tenez jamais entre l'avant du tracteur et le tube transversal du chargeur.

### 26.1. Points de graissage

Tous les paliers sont munis de bagues qui en principe n'ont besoin d'être graissées qu'une fois par an.



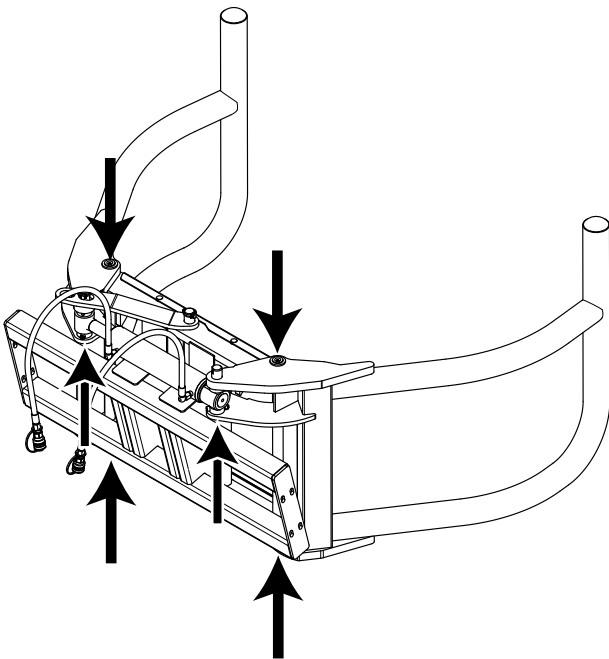
**Avertissement !**

Risque d'écrasement et de coincement.

Le chargeur peut s'affaisser.

Abaissez de l'outil jusqu'au sol et mettez l'équipement au repos avant de commencer le graissage.

Fig.127 Points de graissage.



### 26.2. Rangement

Appliquez une fine couche de graisse sur la partie visible des tiges de piston pour les protéger.

## 26.3. Flexibles et vérins

Lisez ces instructions avant de rechercher une fuite dans le système hydraulique :



**Avertissement !  
Huile sous pression.**

**L'huile hydraulique sous haute pression peut, en cas de fuite, pénétrer à travers la peau et causer de graves blessures, la cécité voire la mort. La fuite peut être invisible.**

**Utilisez des lunettes de protection homologuées et protégez la peau avec des gants en cuir épais. Utilisez un morceau de carton ou de bois pour rechercher les fuites. Si du liquide a pénétré sous la peau, il DOIT être éliminé dans un délai de deux heures par un médecin compétent pour ce type de blessure.**



*Fig. 128 N'utilisez JAMAIS les doigts ou la main pour rechercher une fuite.*

Vérifiez régulièrement les flexibles et les raccords pour rechercher toute trace éventuelle d'usure ou de fuite. Veillez à ce que les flexibles disposent de suffisamment d'espace et qu'ils ne frottent pas contre d'autres composants. Remplacez les flexibles endommagés et serrez tous les raccords.

Les vérins sont à double effet. Ils doivent être maintenus en bon état pour un fonctionnement optimal. Les fuites, internes ou externes, affectent les performances et peuvent être dangereuses.

Pour fonctionner de manière optimale, l'outil nécessite un système hydraulique fonctionnant sous haute pression. Utilisez uniquement des pièces de rechange homologuées par le fabricant.

### 26.3.1. Contrôle des raccords hydrauliques

Vérifiez que les flexibles et les adaptateurs sont bien serrés et qu'ils ne fuient pas.

### 26.3.2. Réparation des vérins hydrauliques

La dépose, la réparation et la mise en place des vérins hydrauliques exigent des outils spéciaux pour éviter d'endommager les composants internes. Nous recommandons d'envoyer tout vérin à réparer à un concessionnaire agréé.

## 27. CARACTÉRISTIQUES TECHNIQUES

Modèle	160	200
Poids, sans crochet	235 kg	260 kg
Vérin	80 mm / 40 mm	80 mm / 40 mm
Dimension de balle	120-160 cm	150-200 cm
Poids de balle max.	1000 kg	1000 kg
Pression de service maxi	200bar / 20MPa *)	

\*) Si la pression de service est supérieure à 200 bar, installez un limiteur de pression. Un kit limiteur de pression est disponible en accessoire.

### 27.1. Tableau de recommandations

Modèle de chargeur	Charge maxi.
X21	650 kg
X31, X41	750 kg
X51	800 kg
X26	950 kg
Q21 (+1.1), Q31 (+2.1), Q26 (+1.1P)	1000 kg
Q36 (+2.1P)	1000 kg
X36, Q33 (+2.3)	1000 kg
X46, Q41 (+3.1)	1000 kg
X56, Q51 (+4.1), Q38 (+2.3P), Q46 (+3.1P), Q49 (+3.4P)	1000 kg
Q56 (+4.1P)	1000 kg
Q48 (+3.3P)	1000 kg
Q61 (+5.1), Q58 (+4.3P)	1000 kg
Q66 (+5.1P)	1000 kg
Q68 (+5.3P), Q76 (+6.1P), Q78 (+6.3P), Q88 (+7.3P), Q98 (+8.3P)	1000 kg
Chargeuse sur pneus / Chargeurs télescopiques	1000 kg

**NORTH AMERICA ONLY !**

**Danger!**

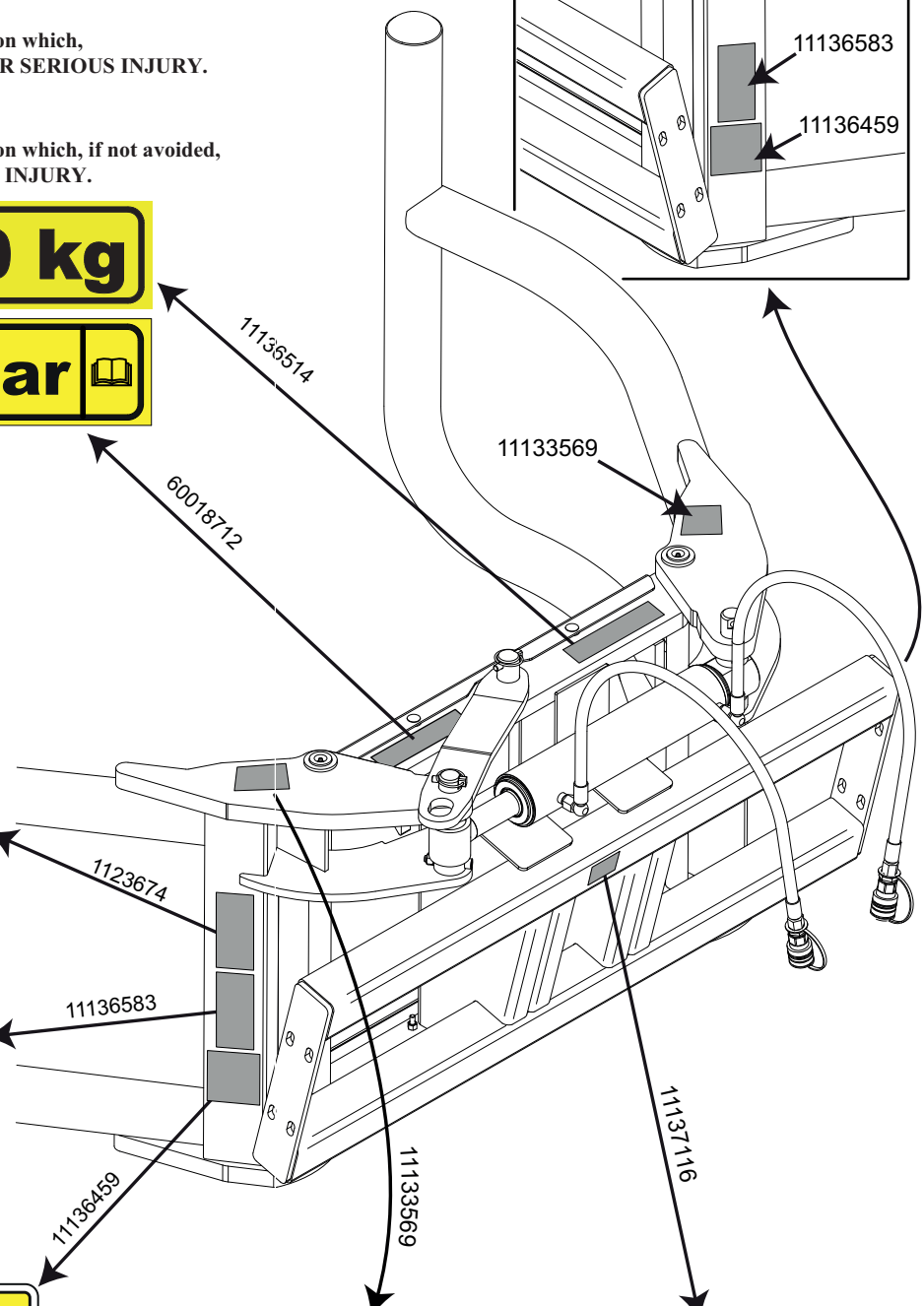
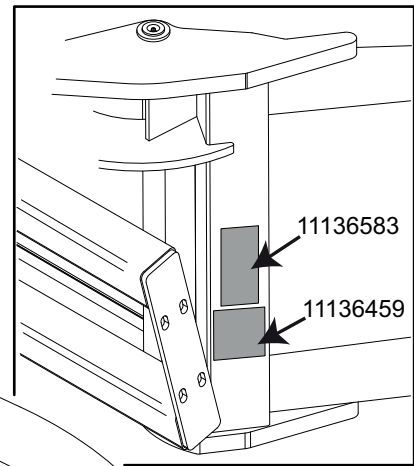
Indicates an imminently hazardous situation which, if not avoided, will result in DEATH OR SERIOUS INJURY.

**Warning!**

Indicates a potentially hazardous situation which, if not avoided, could result in DEATH OR SERIOUS INJURY.

**Caution!**

Indicates a potentially hazardous situation which, if not avoided, may result in MINOR OR MODERATE INJURY.



Product	XXXX XXXX XXXX	Made by	Åtö AB
Model Number	XXXXXXXXXX		Umeå Sweden
Year Built	XXXX-XX-XX		Made in XXXXXXXX
Ref. No.	XXXXXXXXXX	Weight	xxx kg
		Serial No.	XXXXXXXXXX



## 28. CONDITIONS DE GARANTIE

ÅLÖ AB s'engage, pour une période de 12 (douze) mois à compter de la date de livraison du chargeur/de l'équipement à l'acheteur, à remplacer ou à réparer les pièces qui, suite à un défaut de matériau ou vice de fabrication, nécessitent une intervention. Ceci, à condition que le défaut soit immédiatement communiqué au fournisseur et que le chargeur ou les pièces en faute soient mises sans frais à sa disposition.

Pour les pièces qu'il faut remplacer, la garantie n'est applicable que pendant la période résiduelle de garantie.

La garantie ne comprend pas les pannes causées par un accident, un entretien insuffisant, une modification ou un montage erroné de la part de l'acheteur. Pour le remplacement sous garantie de pièces qui ont été soumises à une usure particulièrement grande, l'acheteur sera dans l'obligation de payer une somme correspondant à l'usage réel.

Les accidents corporels, temps d'interruption, dommages consécutifs et autres pertes ne sont pas compensés.

Tout contrôle et recherche de pannes exécutés sur demande de l'acheteur sont gratuits si un problème est constaté.

Dans le cas contraire, les frais seront à la charge de l'acheteur.

Aucune compensation n'est accordée pour les réparations provisoires ou les frais supplémentaires causés par l'exécution des travaux en dehors des heures ouvrables.

## ATTESTATION DE CONFORMITÉ UE

(Directive 2006/42/CE, Annexe 2A)

ÅLÖ AB

Brännland 300

SE-901 37 Umeå Suède

Tél. : +46 (0)90 17 05 00

Assure par la présente que :

Modèles d'outils/accessoires décrits dans ce manuel, voir page de couverture, fabriqués à partir de novembre 2015.

A. est fabriqué selon la DIRECTIVE DU CONSEIL :

- 2006/42/CE du 17 mai 2006 concernant le rapprochement des législations des États membres relatives aux machines, et en particulier l'Annexe 1 de la directive intitulée "Exigences essentielles de santé et de sécurité relatives à la conception et à la construction des machines".

B. est fabriquée conformément aux normes harmonisées suivantes :

EN ISO 12100:2010, EN ISO 4413:2010, EN 12525:2000+A2 2010.

RISE SMP Svensk Maskinprovning AB, Box 7035, SE-75007 Uppsala, Suède a réalisé un contrôle de type facultatif pour le compte de ÅLÖ AB. Numéro de certificat : SEC/09/2051 - outils hydrauliques

Le responsable habilité à constituer la documentation technique au sein de ÅLÖ AB est Anders Lundgren, Executive Vice President R&D.



Umeå 2022-09-01

Niklas Åström

DG

## UK DECLARATION OF CONFORMITY

(Applicable au marché britannique)

Address: Manufacturer

ÅLÖ AB

Brännland 300

SE-901 37 Umeå, Sweden

Tel. +46 (0)90 17 05 00

Address: Authorized representative

Alo UK Ltd

Unit 1 Ryelands Business Centre,

Ryelands Lane,

Elmley Lovett,

Droitwich,

Worcestershire

WR9 0PT, UK

Hereby certifies that:

Attachment models described in this document, see front page, from and including manufacturing month November 2015.

- A. manufactured in conformity with the provisions in the Supply of Machinery (Safety) Regulations 2008,
- B. manufactured according to the following designated standards: BS EN ISO 12100:2010, BS EN ISO 4413:2010, BS EN 12525:2000+A2:2010.

RISE SMP Svensk Maskinprovning AB, Box 7035, SE-75007 Uppsala, Sweden, has carried out voluntary type examination for ÅLÖ AB. The certificate has number: SEC/09/2051 – hydraulic implements.

The person authorized to compile technical documentation at ÅLÖ AB is Anders Lundgren, Executive Vice President R&D.



Umeå 2022-09-01

Niklas Åström

President and Chief Executive Officer (CEO)

## 29. INTRODUCCIÓN

### 29.1. Información general



**¡Advertencia!**

El uso descuidado o incorrecto puede causar daños graves e incluso mortales, al conductor o a otras personas. Siga las instrucciones de seguridad.

Este manual de instrucciones describe el manejo y mantenimiento del implemento. La información del manual de instrucciones era correcta en el momento de la impresión. Diríjase a su concesionario si hay algo que no comprende del manual.

Con cada implemento se entrega un manual de usuario para mostrar al operario cómo se maneja y mantiene el implemento. Lea y aplique la información para poder el implemento de una manera segura en combinación con un tiempo de parada breve. Este implemento ha sido diseñado pensando en la facilidad de servicio y su mantenimiento puede realizarse con herramientas de mano habituales.

Lea y estudie detenidamente el texto del manual de instrucciones antes de comenzar a usar el implemento. Si usted carece de experiencia como conductor, estudie el manual de instrucciones y solicite información de conductores experimentados. Su concesionario puede ayudarle, enseñándole el manejo y métodos de trabajo adecuados. Mantenga el manual de instrucciones en un lugar fácilmente accesible, preferiblemente en el tractor. Si se estropea o se pierde el manual de instrucciones, adquiera uno nuevo.

Lea también el manual de instrucciones de la cargadora, que contiene información importante para su seguridad.



**¡Precaución!**

Lea el manual de instrucciones en su totalidad antes de comenzar a usar el producto.

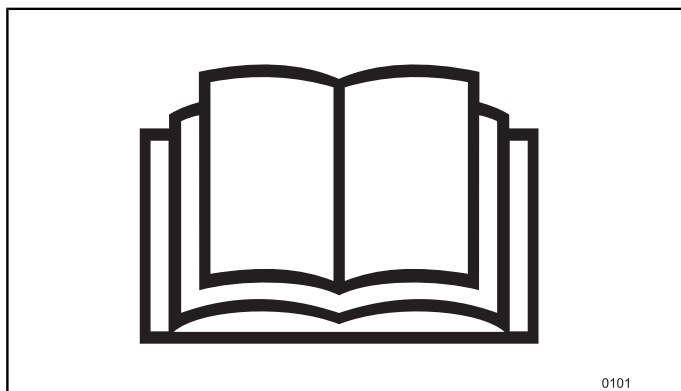
Nos reservamos el derecho a introducir en cualquier momento modificaciones en el diseño y las especificaciones, o mejoras, sin previo aviso ni obligación.

Rellene los datos de la placa de equipo del implemento y comunique siempre dicha información en el contacto con su concesionario.

La placa indica:

Producto, tipo, número de referencia y de serie y peso.

Indique siempre el producto (A), el tipo (B) y el número de serie (C) para cuestiones de servicio o pedido de piezas de repuesto.



0101

Figura 129 Lea el manual de operación en su totalidad antes de comenzar a usar el producto.

**Información de producto**

Product	
Type	
Ref. No.	
Serial No.	
Date	
Weight	
Manufacturer	
Reseller information	

Figura 130 Información de producto

	Product	XXXXXXXXXXXXXXXXXXXXXXXXXXXX	← A
	Type	XXXXXXXXXXXXXXXXXXXXXXXXXXXX	
	Ref.No.	XXXXXXXXXX	← C
	Serial No. / Year	XXXXXXXXXX XXXX	
Made by ÅTÖ AB	Kit No.	XXXXXXXXXX	Weight XXXXXXXX kg
CE UK CA	Umeå Sweden Made in XXXXXXX		

Figura 131 Placa de equipo.



## 30.2. Explicación de los niveles de advertencia

Cuando vea el símbolo de seguridad y la palabra de advertencia en el manual de instrucciones, deberán seguirse OBLIGATORIAMENTE las instrucciones, ya que su seguridad personal depende de ellas.

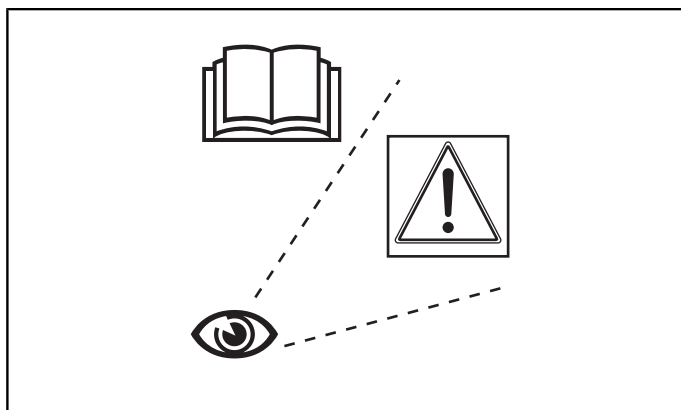


Figura 133 Localice, lea y compruebe el significado de las pegatinas antes de usar la cargadora y el implemento.

### 30.2.1. Explicación de símbolos

Símbolo de seguridad. La información en relación con este símbolo se aplica a su seguridad personal y es obligatorio seguirla.



**¡Peligro!**

Significa una situación de peligro inminente que, si no se evita, puede causar la muerte o lesiones corporales graves. (Sólo en Norteamérica)



**¡Advertencia!**

Indica que puede producirse un accidente si no se sigue la directriz. Un accidente puede dar lugar a lesiones graves e incluso mortales.



**¡Precaución!**

Indica que puede producirse un accidente si no se sigue la directriz. Un accidente puede causar daños personales.



Figura 134 Símbolo de seguridad.

El texto y las instrucciones siguientes no se aplican a la seguridad personal, pero se usa en la totalidad del manual de instrucciones para proporcionar consejos prácticos adicionales para el manejo o el servicio del implemento.

**¡Importante!** Indica que puede producirse un accidente si no se sigue la directriz. El accidente puede causar daños en objetos, procesos y entorno.

*NOTA:* Contiene información adicional para facilitar la comprensión o la ejecución de una cierta operación.

## 30.3. Supervisión y usuarios

### 30.3.1. Responsabilidad



**¡Precaución!**

Guarde siempre en el tractor este manual de instrucciones junto con el manual de instrucciones del tractor.

- Si el tractor carece de manual de instrucciones, adquiéralo del concesionario antes de montar y usar la cargadora y el implemento.

## Instrucciones de seguridad

- Lea todo el material con atención y aprenda a usar el equipo de forma correcta y segura.



**¡Advertencia!**

**NO utilice la cargadora ni el implemento como plataforma de trabajo.**



**¡Advertencia!**

**Use el implemento solamente para sus aplicaciones de diseño.**



**¡Advertencia!**

**No agarrar objetos que desplacen considerablemente el centro de gravedad hacia el exterior. Ello puede producir inestabilidad.**



**¡Advertencia!**

**NO utilice la pala para elevar ni transportar personas.**

- La máquina sólo debe ser manejada por personas calificadas.



**¡Advertencia!**

**Compruebe siempre la zona alrededor de la máquina y asegúrese de que todas las personas -especialmente los niños- y animales se hayan retirado antes de arrancar la máquina o ponerla en movimiento.**

Lo más probable es que no pueda oír un grito de advertencia de personas que se encuentran en el exterior cuando está sentado en la cabina con la puerta cerrada.



**¡Peligro!**

**Para evitar lesiones graves por aplastamiento y atrapamiento que pueden ser mortales: asegurarse de que las personas y los objetos se mantengan a la distancia requerida mientras se utiliza el implemento.**



*Figura 135 NO utilice la cargadora ni el implemento como plataforma de trabajo.*



*Figura 136 NO utilice la cargadora ni el implemento para elevar ni transportar personas.*



*Figura 137 Antes de arrancar, comprobar que no haya ninguna persona en las proximidades de la máquina.*

Familiarícese con la zona de trabajo y el terreno. Preste atención a la altura libre y a las limitaciones debidas al alcance ampliado.

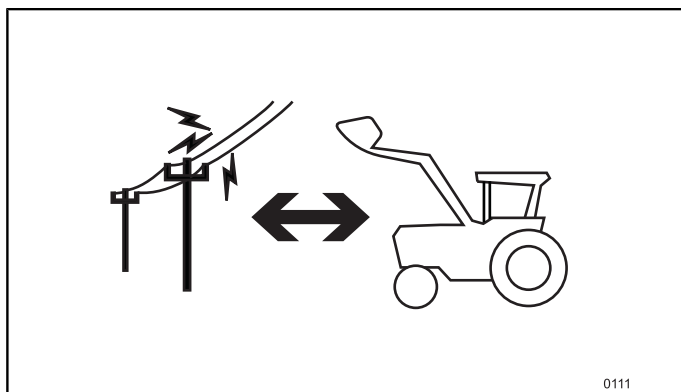


Figura 138 Estudiar la zona de trabajo antes de arrancar. Mantenerse a distancia de cables eléctricos y otros obstáculos.

**¡Advertencia!**  
**Mirar siempre el implemento. Cuando se eleva la pala, existe riesgo de caída o bajada de objetos hacia atrás, sobre el conductor. Elevar solamente objetos destinados a manipular con el implemento.**

**¡Advertencia!**  
**Mirar siempre el implemento. Hay riesgo de caída de objetos durante el transporte. Transportar solamente objetos destinados a manipular con el implemento.**

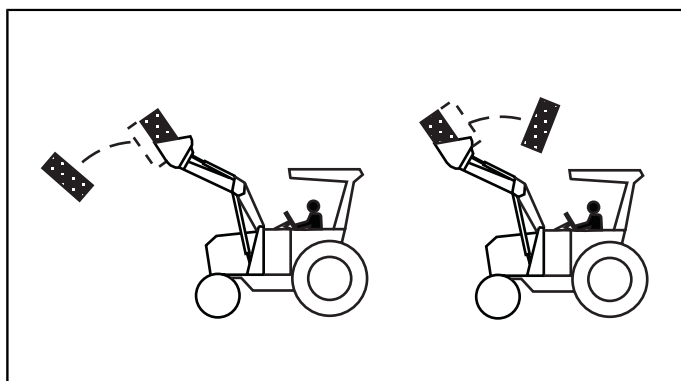


Figura 139 Mirar siempre el implemento. Cuando se eleva la pala, existe riesgo de caída o bajada de objetos hacia atrás, sobre el conductor.

**¡Advertencia!**  
**No se coloque nunca entre la frontal del tractor y el tubo transversal de la pala.**

**¡Advertencia!**  
**Riesgo de fracturas y aplastamiento.**  
**La cargadora puede caer.**  
**Bajar la pala cargadora/el implemento hasta el suelo antes de iniciar la lubricación.**

**¡Advertencia!**  
**Cuando instale las mangueras, compruebe que sean lo suficientemente largas y que no queden enganchadas entre la fijación de implemento, el brazo de carga o las articulaciones. Ajuste en caso necesario los acoplamientos.**



Figura 140 No se coloque nunca entre la frontal del tractor y el tubo transversal de la pala.



**¡Advertencia!**  
**Aceite presurizado.**

El aceite hidráulico a alta presión puede penetrar en el cuerpo en caso de fugas, causando lesiones graves, ceguera o incluso la muerte. La fuga puede ser invisible.

Use gafas de protección homologadas y proteja la piel, por ejemplo, con guantes de cuero gruesos. Use un cartón o un trozo de madera para la búsqueda de fugas. Si ha penetrado líquido en la piel **ES ESENCIAL** que lo elimine en el plazo de un par de horas un médico cualificado para tratar ese tipo de lesiones.

---



*Figura 141 No utilice NUNCA los dedos o las manos en la búsqueda de fugas.*



## 31. DESCRIPCIÓN

### 31.1. Definiciones

A continuación se describen los diferentes accesorios que se pueden utilizar con los implementos y las cargadoras frontales.

#### 31.1.1. 3ª función

Función hidráulica adicional para la maniobra del dispositivo hidráulico y del cierre del implemento.

#### 31.1.2. ErgoDrive / ErgoDrive LCS

El kit de montaje contiene una válvula de maniobra mecánica, un mando de maniobra mecánico y conexión hidráulica para el modelo de tractor indicado.

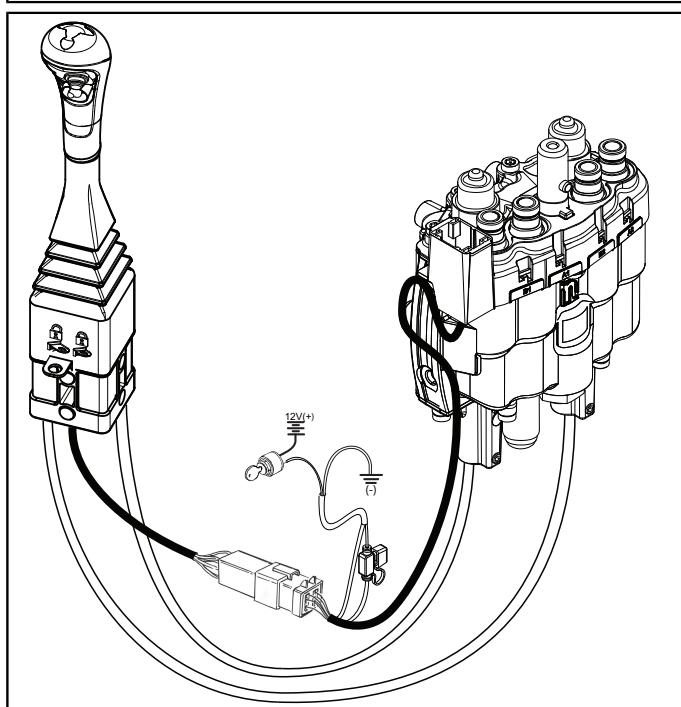
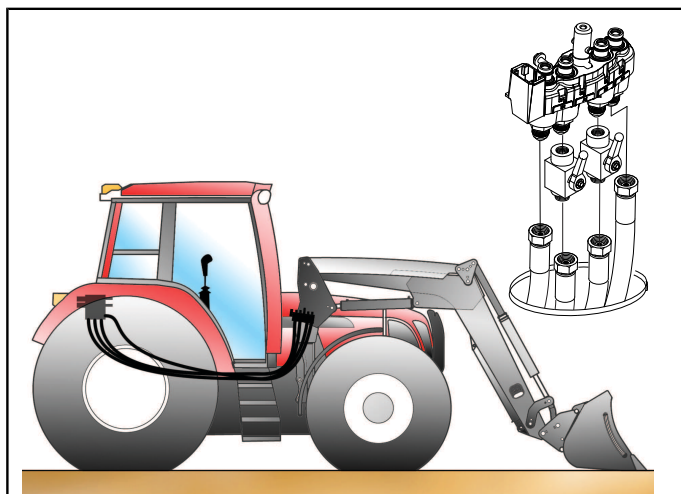


Figura 142 ErgoDrive

### 31.1.3. ElectroDrive CDC / ElectroDrive LCS / EasyDrive LCS

Kit de montaje igual al anterior, pero con válvula de maniobra eléctrica y mando de maniobra eléctrico.

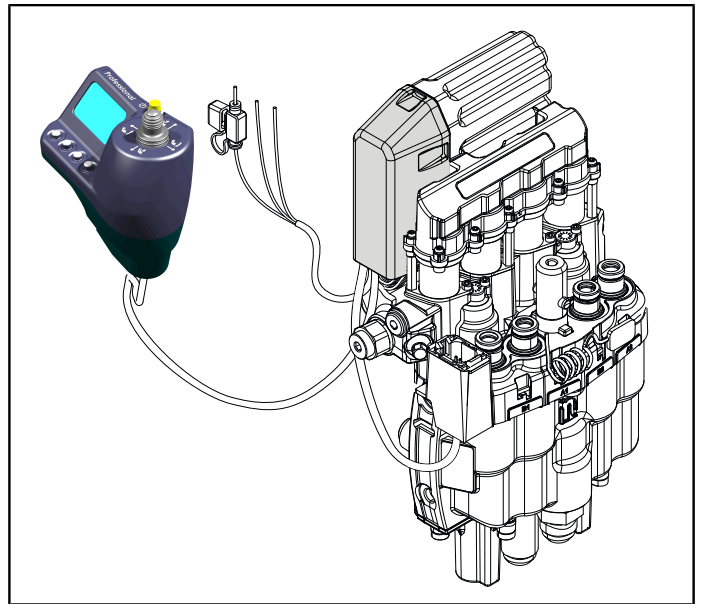


Figura 143 ElectroDrive

### 31.1.4. Juego de mangueras

Mangueras y componentes hidráulicos para la conexión de la cargadora con la válvula original del tractor.

Figura 144 Juego de mangueras

## 31.2. Fijaciones de implemento

El implemento puede equiparse con diversos tipos de ganchos según el acoplamiento de la cargadora/máquina básica. Existen diversos sistemas de acoplamiento para los ganchos: soldados o diferentes alternativas de sistemas atornillados. Para obtener información acerca de los ganchos disponibles para los implementos, póngase en contacto con Ålö AB. Preste atención a que el gancho del implemento sea compatible con el sistema de acoplamiento de la cargadora/máquina de base. **¡Nunca improvise ni haga adaptaciones!**

Antes del uso, asegúrese de que el bloqueo del implemento se realice correctamente teniendo en cuenta las instrucciones aplicables de la cargadora/máquina básica y el acoplamiento de implementos.

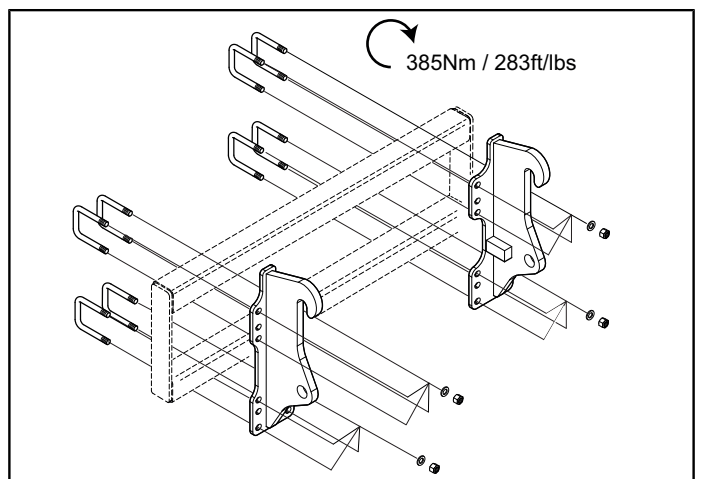


Figura 145 El implemento puede equiparse con distintos tipos ganchos.

## 32. INSTRUCCIONES DE OPERACIÓN

### 32.0.1. Usos específicos

El implemento está equipado con dos brazos de agarre que se usan para soportar el material. Transporte el material lo más bajo posible. Las áreas de aplicación principales son la manipulación de:

Baje la pala al nivel más bajo posible durante la conducción. Recuerde que cuanto más alta esté la pala, más alto se encontrará su centro de gravedad y, por lo tanto, mayor será el riesgo de vuelco del tractor.

### 32.0.2. Montaje

El implemento se suministra parcialmente montado.

**El cilindro** se entrega en la caja de accesorios suministrada. Las fijaciones y las mangueras entre el implemento y la máquina se suministran en kits separados. El cilindro (1) se monta con las conexiones de aceite dirigidas hacia atrás. Los pasadores (2) se fijan con tornillos (3), como en la figura. Los cojinetes del cilindro deben engrasarse antes de montar los pasadores.

**Barra limitadora.** El movimiento del brazo de agarre derecho, o del izquierdo, puede limitarse con la ayuda de la barra (4). La barra se monta entre el bastidor y el pasador (2). Con la barra montada, las balas pueden apilarse más cerca unas de otras. Al manipular balas de 120 cm de diámetro, debe utilizarse el agujero exterior de la barra (para Flexigrip 160).

#### Back Stop

Som en extra säkerhetsåtgärd kan man montera en s.k. Back Stop. Denna hindrar balar från att rulla bakåt över traktorföraren. Den finns att beställa som tillbehör.

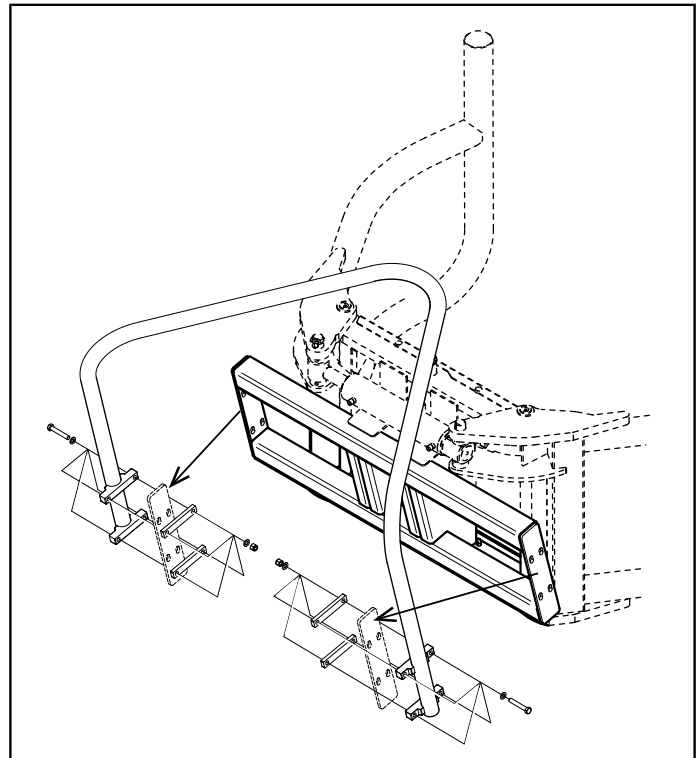


Figura 146 Montaje del juego de mangueras

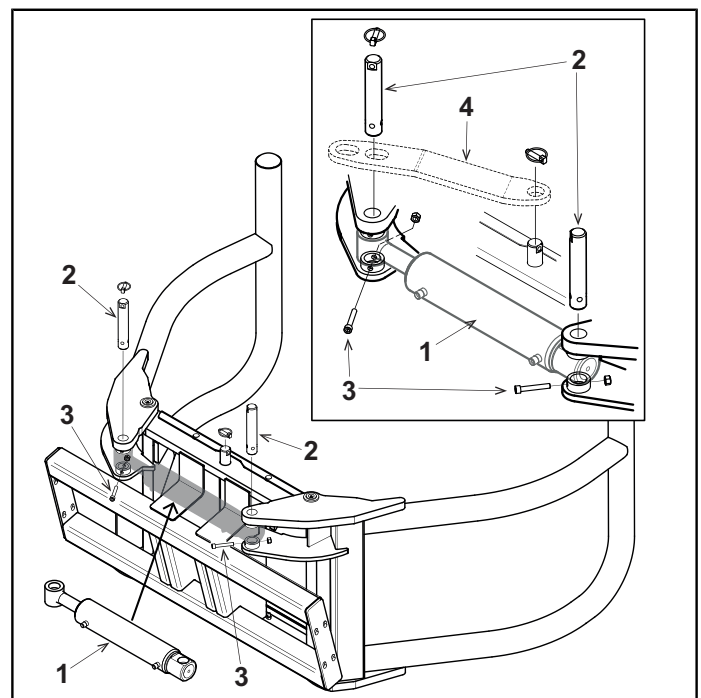


Figura 147 Montaje del cilindro y la barra de bloqueo

Figura 148 Montaje de BackStop

## Instrucciones de operación

### Juego de mangueras

Conecte las mangueras al cilindro.

La manguera conectada con el lado (+) del cilindro debe tener una marca de color rojo.

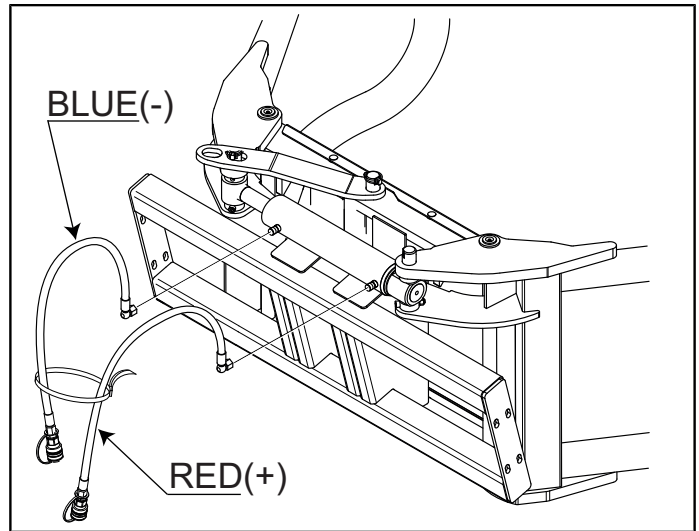
La manguera conectada con el lado (-) del cilindro debe tener una marca de color azul.

La cargadora debe estar equipada con una salida de aceite de doble efecto en el portaimplementos.



#### ¡Advertencia!

Cuando instale las mangueras, compruebe que sean lo suficientemente largas y que no queden enganchadas entre la fijación de implemento, el brazo de carga o las articulaciones. Ajuste en caso necesario los acoplamientos.



El juego de ganchos se solicita por separado al distribuidor. Se monta de acuerdo con las instrucciones suministradas.

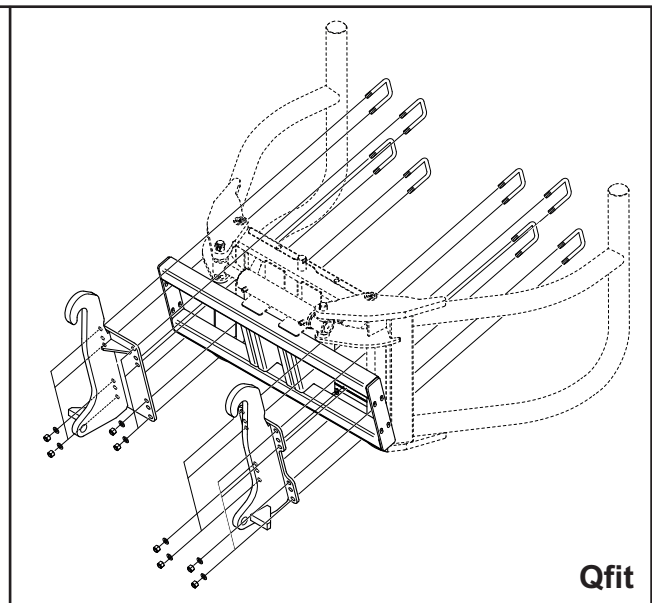
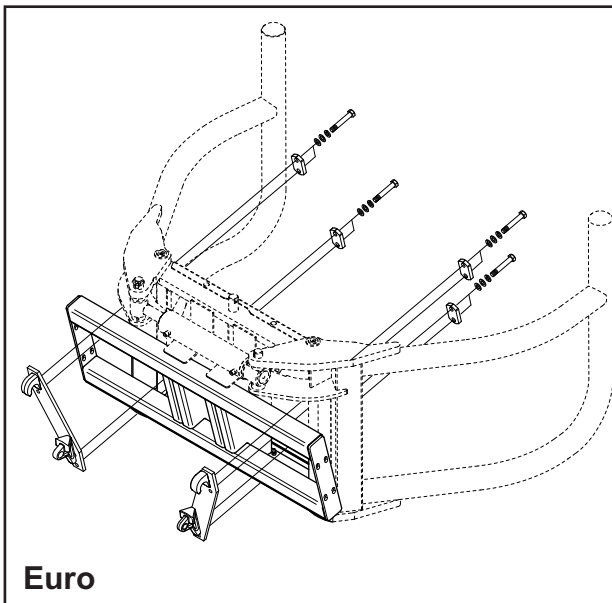


Figura 149 Ejemplos de montaje del juego de ganchos

### 32.1. Efectuar antes de utilizar el implemento

Compruebe minuciosamente lo siguiente:

1. La manguera conectada al lado (+) del cilindro tiene una marca roja y el implemento se mueve según la descripción de apertura/cierre.
2. No hay ninguna fuga de aceite hidráulico.
3. El implemento se halla montado correctamente en su fijación y los pasadores se encuentran en posición bloqueada. Presione la punta del implemento contra el suelo (1) para comprobar su correcta sujeción (2).

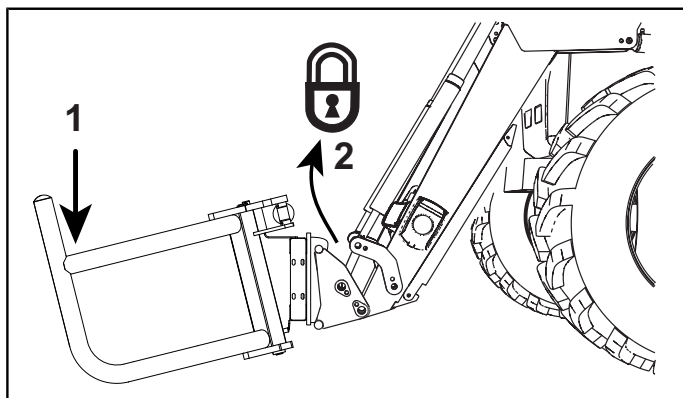


Figura 150 Compruebe que el implemento esté bien sujeto presionando la punta contra el suelo.

4. No hay riesgo de colisión entre la cargadora y el implemento (vea la figura).
5. Lubrique el engranaje de acuerdo 33. *Lubricación y mantenimiento.*

Vea también las instrucciones de conexión y desconexión del implemento en el manual de instrucciones de la cargadora.

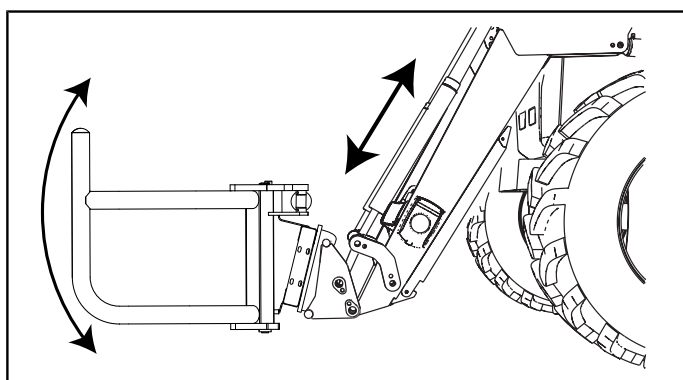


Figura 151 Comprobar con cuidado que no haya riesgo de colisión entre la cargadora y el implemento.



**¡Advertencia!**

**NO se sitúe, desplace ni opere por debajo de una pala alzada. Asegurarse de que todas las personas -especialmente los niños- y los animales estén alejados de la zona de trabajo.**



0106

Figura 152 NO se sitúe, desplace ni opere por debajo de una pala alzada.

### 32.1.1. Vaciado/inclinación hacia arriba del implemento

Montaje a la derecha: Mueva la palanca hacia la izquierda (4) para inclinar el implemento hacia arriba.

Mueva la palanca hacia la derecha (5) para vaciar el implemento.

*NOTA:* Con montaje a la izquierda los movimientos serán opuestos (excepto en EasyDrive LCS y ElectroDrive LCS, que sólo se encuentran disponibles en montaje a la derecha).

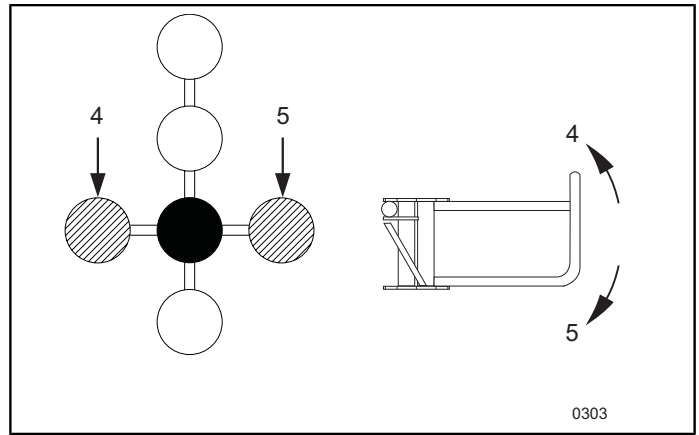


Figura 153 Vaciado/inclinación hacia arriba del implemento

### 32.1.2. Abrir/cerrar el implemento - EasyDrive LCS y ElectroDrive LCS

Para abrir y cerrar el implemento se utiliza la tercera función hidráulica, controlada con el interruptor F2.

Moviendo la palanca hacia la derecha (5) se abre el implemento y hacia la izquierda (4) se cierra (montaje a la derecha).

*NOTA:* Cuando se suelta el interruptor para la tercera función hidráulica, el mando vuelve inmediatamente a la función de vaciado/inclinación.

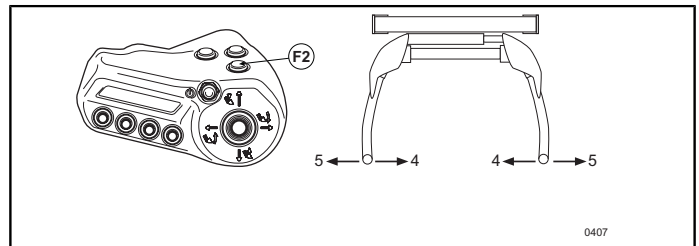


Figura 154 Abrir/cerrar el implemento - EasyDrive LCS y ElectroDrive LCS

### 32.1.3. Abrir/cerrar el implemento - ErgoDrive LCS/ErgoDrive

Para abrir y cerrar el implemento se usa la tercera función hidráulica, controlada con un interruptor (A) en la parte delantera de la palanca de mando.

Moviendo la palanca hacia la derecha (5) se abre el implemento y hacia la izquierda (4) se cierra (montaje a la derecha).

Con montaje a la izquierda los movimientos serán a la inversa.

*NOTA:* Cuando se suelta el interruptor para la tercera función hidráulica, el mando vuelve inmediatamente a la función de vaciado/inclinación.

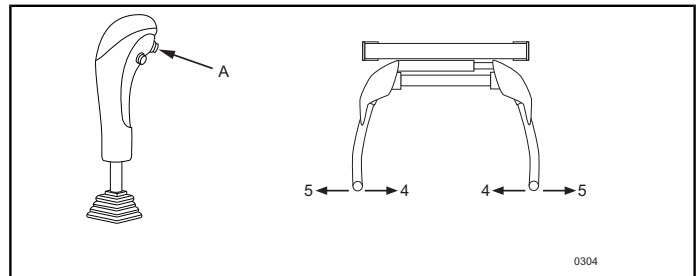


Figura 155 Abrir/cerrar el implemento - ErgoDrive LCS/ErgoDrive

### 32.1.4. Abrir/cerrar el implemento - ElectroDrive CDC

Para abrir y cerrar el implemento se utiliza la tercera función hidráulica, controlada con el interruptor P2.

Moviendo la palanca hacia la derecha (5) se abre el implemento y hacia la izquierda (4) se cierra (montaje a la derecha).

Con montaje a la izquierda los movimientos serán a la inversa.

Cuando se suelta el interruptor para la tercera función hidráulica, el mando vuelve inmediatamente a la función de vaciado/inclinación.

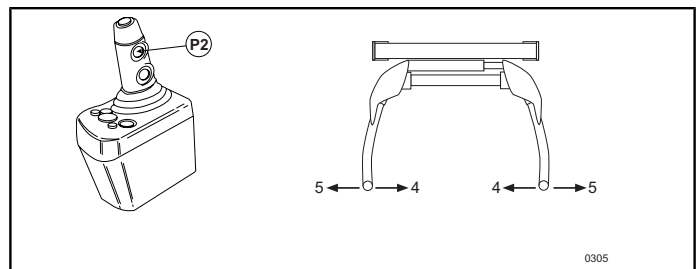


Figura 156 Abrir/cerrar el implemento - ElectroDrive CDC

### 32.1.5. Abrir/cerrar el implemento - Juego de mangueras

Juego de mangueras - palanca de mando del tractor, vea el manual de instrucciones del tractor.

### 32.1.6. Instrucciones de operación

Para evitar daños al plástico, la parte superior de los brazos de agarre debe colocarse al nivel del borde superior de la bala. Transporte la bala horizontalmente – apílela en posición vertical al cargarla / almacenarla.

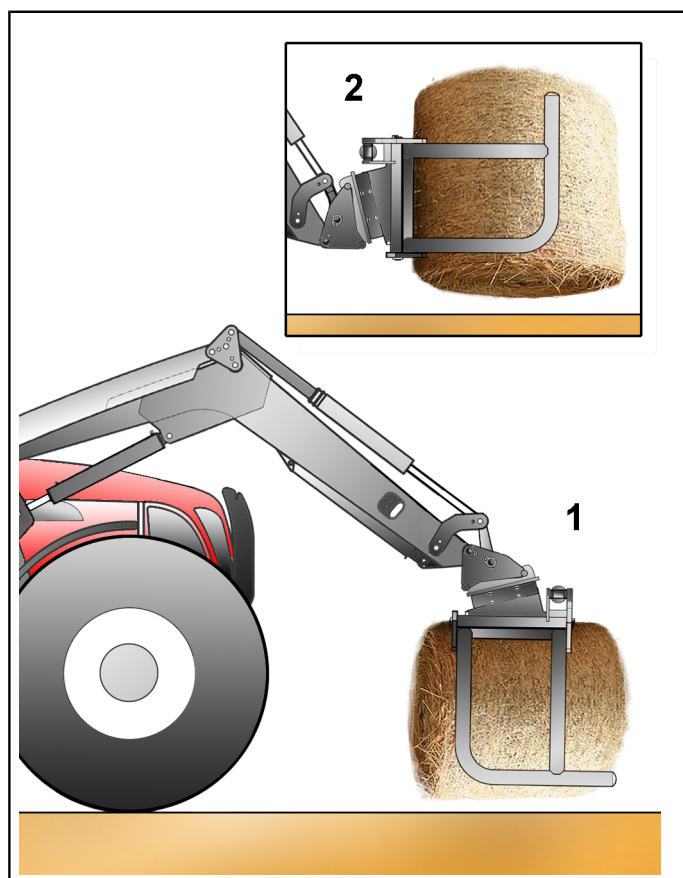
*NOTA:* La bala debe girarse a la altura mínima posible.



#### ¡Advertencia!

**En transportes largos, la fuerza de apriete puede disminuir debido a, por ejemplo, una fuga de aceite interior en la válvula de control de la cargadora y, en el peor de los casos, la bala puede caer.**

Para evitar la caída de balas debido a fugas internas de aceite, se puede detener la máquina y aumentar la fuerza de sujeción de la bala a intervalos regulares o colocar una válvula de retención de la carga en el implemento (equipo opcional).



*Figura 157 Transportar la bala en una posición horizontal y baja (1) – levantarla a la posición al llegar al lugar de carga/almacenamiento (2).*

### 32.1.7. Para desacoplarlo

No desconecte el implemento con los cilindros en una de sus posiciones extremas. De hacerlo, podría haber problemas debidos a sobrepresiones al conectar los acoplamientos rápidos.

Vea también las instrucciones de conexión y desconexión del implemento en el manual de instrucciones de la cargadora.



### 33. LUBRICACIÓN Y MANTENIMIENTO

**¡Advertencia!**  
No se coloque nunca entre la frontal del tractor y el tubo transversal de la pala.



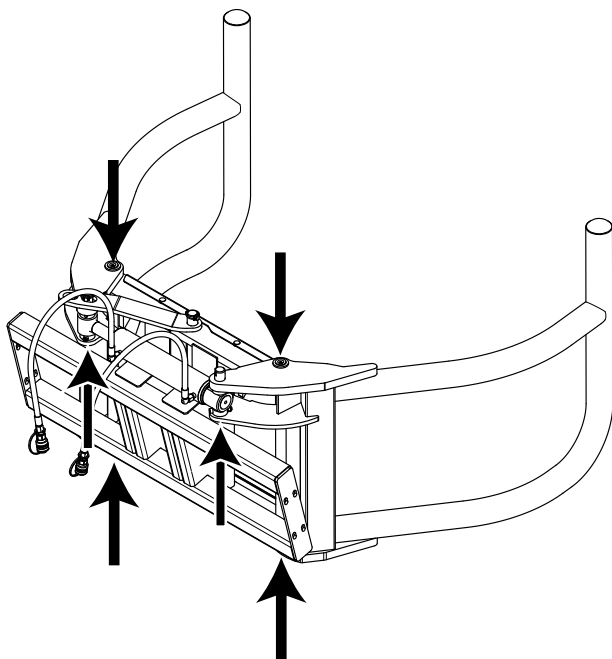
Figura 158 No se coloque nunca entre la frontal del tractor y el tubo transversal de la pala.

#### 33.1. Puntos de lubricación

Todos los cojinetes están provistos de casquillos, que normalmente requieren engrase una vez al mes.

**¡Advertencia!**  
Riesgo de fracturas y aplastamiento.  
La cargadora puede caer.  
Baje el implemento al suelo y cierre el implemento antes de iniciar la lubricación.

Figura 159 Puntos de lubricación.



#### 33.2. Almacenamiento

Aplique una fina capa de grasa a los vástagos de pistón visibles para protegerlos.



### 33.3. Mangueras y cilindros

Lea esto antes de examinar las posibles fugas del sistema hidráulico:



**¡Advertencia!**

**Aceite presurizado.**

El aceite hidráulico a alta presión puede penetrar en el cuerpo en caso de fugas, causando lesiones graves, ceguera o incluso la muerte. La fuga puede ser invisible.

Use gafas de protección homologadas y proteja la piel, por ejemplo, con guantes de cuero gruesos. Use un cartón o un trozo de madera para la búsqueda de fugas. Si ha penetrado líquido en la piel **ES ESENCIAL** que lo elimine en el plazo de un par de horas un médico cualificado para tratar ese tipo de lesiones.



0118a

*Figura 160 No utilice NUNCA los dedos o las manos en la búsqueda de fugas.*

Compruebe periódicamente el posible desgaste y fugas de las mangueras y conexiones. Asegúrese de que las mangueras tienen suficiente huelgo para moverse y que no rocen con otros componentes. Cambie las mangueras dañadas y apriete todas las conexiones.

Los cilindros son de doble efecto. Es necesario mantenerlos siempre en buen estado para un funcionamiento óptimo. Las fugas, internas o externas, afectan al rendimiento y pueden resultar peligrosas.

Esta herramienta requiere un sistema hidráulico que opere a alta presión. Utilices sólo piezas de repuesto aprobadas por el fabricante.

#### 33.3.1. Control de las conexiones hidráulicas

Compruebe que todas las mangueras y adaptadores estén correctamente apretados y no presenten fugas.

#### 33.3.2. Reparación de los cilindros hidráulicos

El desmontaje, la reparación y el montaje de los cilindros hidráulicos requiere de herramientas especiales para prevenir daños en componentes internos. Recomendamos el envío de los cilindros objeto de reparación a un concesionario autorizado.

## 34. DATOS

Modelo	160	200
Peso sin ganchos	235 kg	260 kg
Cilindro	80 mm / 40 mm	80 mm / 40 mm
Tamaño de bala	120-160 cm	150-200 cm
Peso máximo de la bala	1000 kg	1000 kg
Presión máxima de trabajo	200bar / 20MPa *)	

\*) Si la presión de trabajo supera los 200 bar deberá aplicarse limitación de presión. Puede encargarse como accesorio un juego de limitación de presión.

### 34.1. Tabla de recomendaciones

Modelo de cargadora	Carga máxima:
X21	650 kg
X31, X41	750 kg
X51	800 kg
X26	950 kg
Q21 (+1.1), Q31 (+2.1), Q26 (+1.1P)	1000 kg
Q36 (+2.1P)	1000 kg
X36, Q33 (+2.3)	1000 kg
X46, Q41 (+3.1)	1000 kg
X56, Q51 (+4.1), Q38 (+2.3P), Q46 (+3.1P), Q49 (+3.4P)	1000 kg
Q56 (+4.1P)	1000 kg
Q48 (+3.3P)	1000 kg
Q61 (+5.1), Q58 (+4.3P)	1000 kg
Q66 (+5.1P)	1000 kg
Q68 (+5.3P), Q76 (+6.1P), Q78 (+6.3P), Q88 (+7.3P), Q98 (+8.3P)	1000 kg
Cargadoras de ruedas/cargadoras telescópicas	1000 kg

## 35. CONDICIONES DE GARANTÍA

ÅLÖ AB se compromete, durante un período de 12 (doce) meses a partir de la entrega al comprador de la cargadora o equipo, a sustituir o reparar las piezas que, por defectos de material o de fabricación, requieran de corrección. Esto siempre y cuando se informe al proveedor inmediatamente del fallo y se ponga la cargadora o el componente a la libre disposición del proveedor.

Con las piezas sustituidas la garantía sólo tendrá validez durante el plazo de garantía restante.

La garantía no cubre los fallos causados por accidente, mantenimiento defectuoso, modificación o montaje incorrecto por parte del comprador. En la sustitución bajo garantía de piezas sometidas a un desgaste especialmente considerable, el comprador deberá compensar económicamente por el tiempo que hayan sido usadas.

No se aplicará una compensación por daños personales, paradas técnicas, daños derivados u otras pérdidas.

La prueba o localización de fallos que se realice a petición del comprador se efectuará sin coste para éste caso de comprobarse la existencia de defectos.

De lo contrario se cargarán todos los gastos al comprador.

No se retribuirán las reparaciones temporales ni los costes adicionales debidos a que el trabajo se efectúe fuera del horario laboral ordinario.

## DECLARACIÓN DE CONFORMIDAD CE

(Directiva 2006/42/CE, Anexo 2A)

ÅLÖ AB

Brännland 300

SE-901 37 Umeå (Suecia)

Tel. +46 (0)90 17 05 00

Declara por la presente que:

Los modelos de implemento descritos en el presente manual (ver portada) a partir del mes de fabricación noviembre de 2015.

A. han sido manufacturados de conformidad con la DIRECTIVA DEL CONSEJO:

- de 17 de mayo de 2006 sobre aproximación de las legislaciones de los estados miembros relativas a las máquinas, 2006/42/CE, con especial referencia al Anexo 1 sobre requisitos esenciales de seguridad y salud relativos al diseño y la fabricación de las máquinas.

B. están fabricados de conformidad con las siguientes normas armonizadas:

EN ISO 12100:2010, EN ISO 4413:2010, EN 12525:2000+A2 2010.

RISE SMP Svensk Maskinprovning AB, Box 7035, SE-75007 Uppsala, Suecia, ha efectuado el control de tipo voluntario para ÅLÖ AB. El certificado tiene el número: SEC/09/2051 – herramientas hidráulicas.

La persona autorizada para elaborar la documentación técnica en ÅLÖ AB es Anders Lundgren, vicepresidente ejecutivo de I +D.



Umeå 2022-09-01

Niklas Åström

Director Gerente

## UK DECLARATION OF CONFORMITY

(Aplicable al mercado del Reino Unido)

Address: Manufacturer	Address: Authorized representative
ÅLÖ AB	Alo UK Ltd
Brännland 300	Unit 1 Ryelands Business Centre,
SE-901 37 Umeå, Sweden	Ryelands Lane,
Tel. +46 (0)90 17 05 00	Elmley Lovett,
	Droitwich,
	Worcestershire
	WR9 0PT, UK

Hereby certifies that:

Attachment models described in this document, see front page, from and including manufacturing month November 2015.

- A. manufactured in conformity with the provisions in the Supply of Machinery (Safety) Regulations 2008,
- B. manufactured according to the following designated standards: BS EN ISO 12100:2010, BS EN ISO 4413:2010, BS EN 12525:2000+A2:2010.

RISE SMP Svensk Maskinprovning AB, Box 7035, SE-75007 Uppsala, Sweden, has carried out voluntary type examination for ÅLÖ AB. The certificate has number: SEC/09/2051 – hydraulic implements.

The person authorized to compile technical documentation at ÅLÖ AB is Anders Lundgren, Executive Vice President R&D.



Umeå 2022-09-01

Niklas Åström

President and Chief Executive Officer (CEO)



## 37. INSTRUKCJA BEZPIECZEŃSTWA

### 37.1. Informacje ogólne

Bezpieczeństwo operatora jest jednym z najważniejszych czynników uwzględnianych przy projektowaniu nowego osprzętu. Konstruktorzy wyposażają sprzęt w możliwie jak najwięcej funkcji bezpieczeństwa. Co roku dochodzi do wielu wypadków, których można by uniknąć dzięki większej rozwadze i ostrożniejszemu manewrowaniu osprzętem.

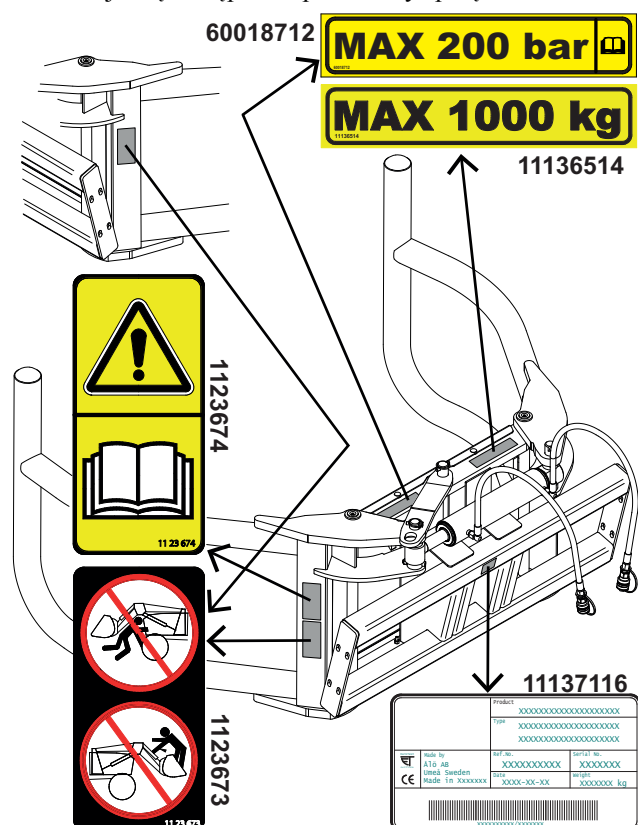
Unikaj wypadków prowadzących do obrażeń ciała. Przeczytaj poniższe instrukcje dotyczące bezpieczeństwa osób i nakłaniaj swoich pracowników/współpracowników do ich przestrzegania.

#### 37.1.1. Naklejki ostrzegawcze

Naklejki ostrzegawcze są umieszczone w różnych punktach osprzętu. Znajdź, przeczytaj i zastanów się nad znaczeniem naklejek, zanim rozpoczniesz użytkowanie ładowarki oraz jej osprzętu.

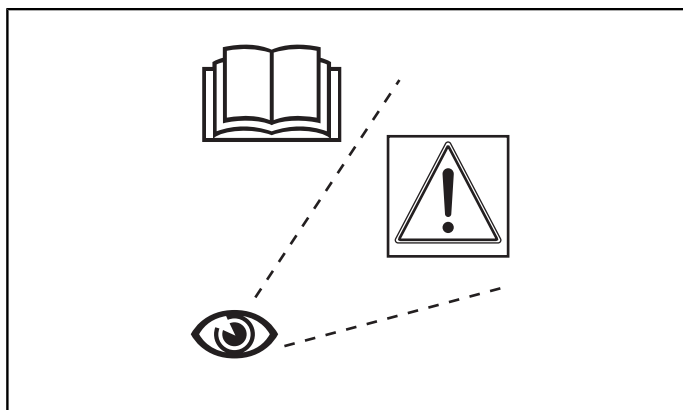
- Nie zasłaniaj i nie usuwaj żadnych naklejek ostrzegawczych. Jeżeli naklejki ostrzegawczej nie ma lub jest ona nieczytelna, zastąp ją nową naklejką. Nowe naklejki są dostępne u sprzedawcy sprzętu.

*Rys. 164 Rozmieszczenie naklejek ostrzegawczych i tabliczki znamionowej maszyny.*



## 37.2. Objąsnienie poziomów ostrzeżeń

Jeżeli na naklejkach lub w instrukcji obsługi znajdziesz symbol bezpieczeñstwa i teksty ostrzegawcze, MUSISZ przestrzegać podanych tam instrukcji, poniewaŹ mają one związek z Twoim bezpieczeñstwem osobistym.



Rys. 165 Znajdź, przeczytaj i zastanów się nad znaczeniem naklejek, zanim rozpoczniesz uŹytkowanie ładowarki oraz jej osprzętu.

### 37.2.1. Objąsnienie symboli

Symbol bezpieczeñstwa. Informacje podane przy tym symbolu dotyczą Twojego bezpieczeñstwa osobistego i trzeba ich przestrzegać.



**Niebezpieczeństwo!**

Oznacza sytuację stwarzającą bezpośrednie zagrożenie, która może spowodować poważne obrażenia ciała lub śmierć, jeśli się jej nie uniknie. (North America)



**Ostrzeżenie!**

Oznacza, że nieprzestrzeganie instrukcji może doprowadzić do nieszczęśliwego wypadku. Wypadek może spowodować poważne obrażenia ciała lub śmierć.



**Ostrożnie!**

Oznacza, że nieprzestrzeganie instrukcji może doprowadzić do nieszczęśliwego wypadku. Wypadek może spowodować obrażenia ciała.



Rys. 166 Symbol bezpieczeñstwa.

Poniższy tekst oraz towarzyszące mu instrukcje nie dotyczą bezpieczeñstwa osobistego, ale pojawiają się często w instrukcji i zawierają dodatkowe wskazówki dotyczące obsługi lub serwisu osprzętu.

**Ważne!** Oznacza, że nieprzestrzeganie instrukcji może doprowadzić do nieszczęśliwego wypadku. Wypadek może spowodować szkody materialne, zakłócenie procesu produkcyjnego lub zanieczyszczenie środowiska.

*Uwaga.* Zawiera dodatkowe informacje, które mogą ułatwić zrozumienie lub wykonanie określonej czynności.

## 37.3. Dotyczy kierownictwa i użytkowników

### 37.3.1. Odpowiedzialność

**!** **Ostrożnie!**  
Niniejszą instrukcję obsługi oraz instrukcję traktora należy zawsze przechowywać w traktorze.

- Jeżeli nie posiadasz instrukcji obsługi traktora, zamów ją u sprzedawcy, zanim zainstalujesz i rozpoczniesz użytkowanie ładowarki i osprzętu.
- Należy dokładnie przeczytać wszystkie materiały i nauczyć się obsługiwać sprzęt w bezpieczny i prawidłowy sposób.

**!** **Ostrzeżenie!**  
**NIE używaj ładowarki lub osprzętu jako platformy roboczej.**

**!** **Ostrzeżenie!**  
Używaj osprzętu wyłącznie do przewidzianych zastosowań.

**!** **Ostrzeżenie!**  
Nie chwytaj przedmiotów, które spowodują znaczne przesunięcie środka ciężkości na zewnątrz. Może to doprowadzić do utraty stabilności.

**!** **Ostrzeżenie!**  
NIE używaj ładowarki do podnoszenia lub przewożenia osób.

- Maszynę mogą obsługiwać wyłącznie osoby wykwalifikowane.

**!** **Ostrzeżenie!**  
Przed uruchomieniem maszyny lub ruszeniem z miejsca zawsze sprawdź otoczenie maszyny, by upewnić się, że w jej pobliżu nie ma ludzi (zwłaszcza dzieci) i zwierząt.

Gdy siedzisz w kabinie z zamkniętymi drzwiami możesz nie słyszeć ewentualnych okrzyków ostrzegawczych osób znajdujących się na zewnątrz.

**!** **Niebezpieczeństwo!**  
Aby nie dopuścić do zgniecenia lub przygniecenia, które może doprowadzić do poważnych obrażeń ciała, a nawet śmierci: Upewnij się, że podczas użytkowania osprzętu osoby i przedmioty znajdują się w odpowiedniej odległości.



Rys. 167 NIE używaj ładowarki lub osprzętu jako platformy roboczej.



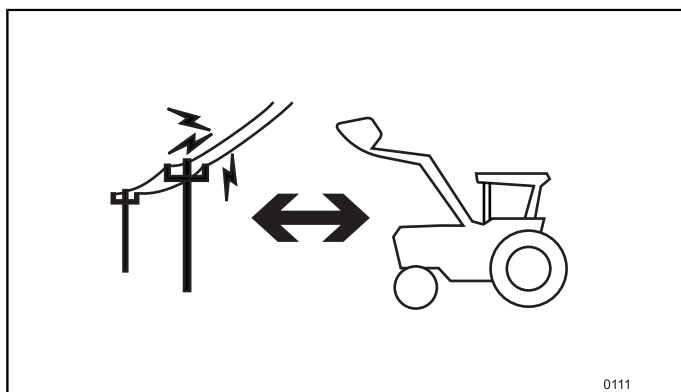
Rys. 168 NIE używaj ładowarki lub osprzętu do podnoszenia lub przewożenia osób.





Rys. 169 Przed uruchomieniem maszyny upewnij się, że w jej pobliżu nie ma żadnych osób.

Zapoznaj się z obszarem roboczym i ukształtowaniem terenu. Uważaj na prześwity nad maszyną oraz na ograniczenia wynikające ze zwiększonego zasięgu.



Rys. 170 Przed rozpoczęciem pracy zapoznaj się z obszarem roboczym. Zachowaj odpowiednią odległość od przewodów elektrycznych i innych przeszkód.



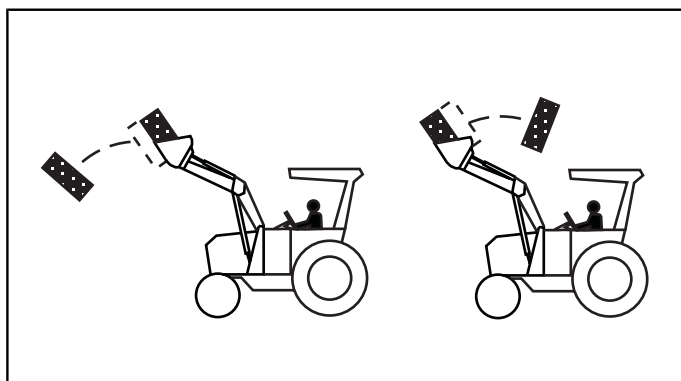
**Ostrzeżenie!**

Zawsze patrz na osprzęt. Przy podnoszeniu ładowarki przedmioty mogą spaść przed traktor lub stoczyć się na operatora. Podnoś wyłącznie przedmioty, do których przeznaczony jest dany rodzaj osprzętu.





**Ostrzeżenie!**

Zawsze patrz na osprzęt. Przedmioty mogą wypaść podczas transportu. Transportuj wyłącznie przedmioty, do których przeznaczony jest dany rodzaj osprzętu.




Rys. 171 Zawsze patrz na osprzęt. Przy podnoszeniu ładowarki przedmioty mogą spaść przed traktor lub stoczyć się na operatora.


 **Ostrzeżenie!**  
Nigdy nie stawaj między przodem traktora a rurą poprzeczną ładowarki.

 **Ostrzeżenie!**  
Niebezpieczeństwo przygniecenia i przytrzaśnięcia.

Ładowarka może spaść.

Przed rozpoczęciem smarowania opuść ładowarkę/osprzęt na ziemię.

 **Ostrzeżenie!**  
Montując przewody giętkie, sprawdź, czy ich długość jest wystarczająca i czy nie ulegną zgnieceniu między mocowaniem osprzętu, ramieniem ładowarki i elementami mechanizmu - ewentualnie wyreguluj złącza.

 **Ostrzeżenie!**  
Olej pod ciśnieniem.

Olej hydrauliczny pod wysokim ciśnieniem może w przypadku nieszczelności wystrzelić na ciało i spowodować poważne obrażenia, utratę wzroku lub śmierć. Wyciek może być niewidoczny.

Używaj atestowanych okularów ochronnych i chroń skórę na przykład mocnymi rękawicami skórzanymi. Do szukania wycieków użyj kawałka kartonu lub drewna. Jeżeli ciecz wnika w skórę, MUSI zostać usunięta w ciągu paru godzin przez lekarza, który potrafi postępować z tego rodzaju obrażeniami.



Rys. 172 Nigdy nie stawaj między przodem traktora a rurą poprzeczną ładowarki.



Rys. 173 NIGDY nie szukaj wycieków palcami lub dłońmi.

## 38. OPIS

### 38.1. Definicje

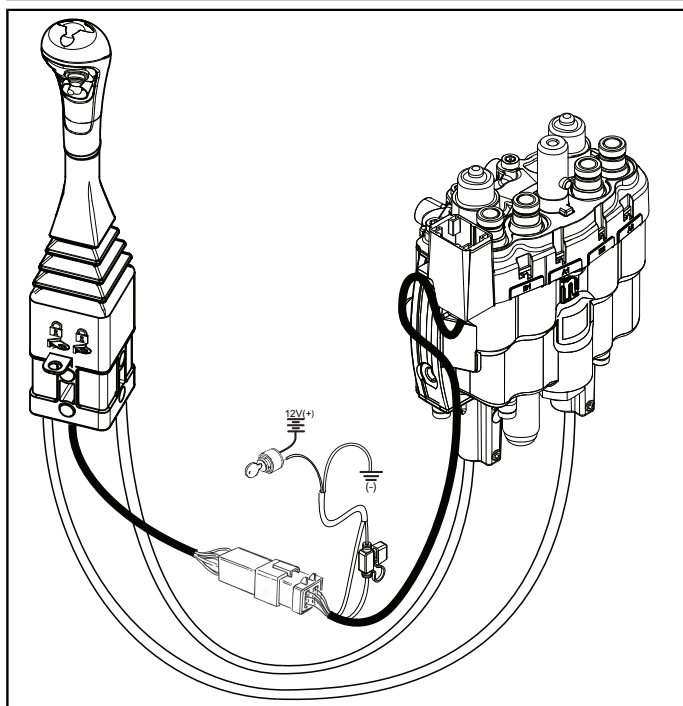
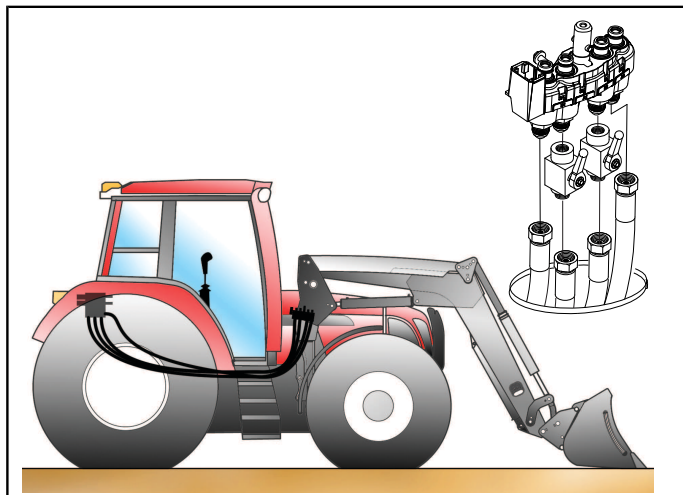
Poniżej zamieszczono opisy różnych rodzajów wyposażenia dodatkowego, którego można używać razem z osprzętem i ładowarką czołową.

#### 38.1.1. Funkcja nr 3

Dodatkowa funkcja hydrauliczna do sterowania hydrauliką i blokadą osprzętu.

#### 38.1.2. ErgoDrive / ErgoDrive LCS

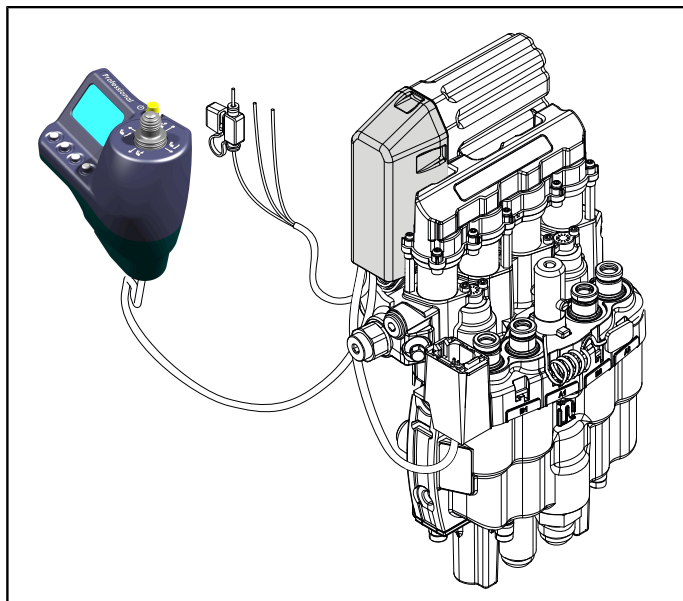
Zestaw montażowy zawiera mechaniczny zawór sterujący i mechaniczną dźwignię sterowniczą oraz przyłącze hydrauliczne dla danego modelu traktora.



Rys. 174 ErgoDrive

### 38.1.3. ElectroDrive CDC / ElectroDrive LCS / EasyDrive LCS

Zestaw montażowy jak powyżej, ale z elektrycznym zaworem sterującym i elektryczną dźwignią sterowniczą.



Rys. 175 ElectroDrive

### 38.1.4. Zestaw przewodów giętkich

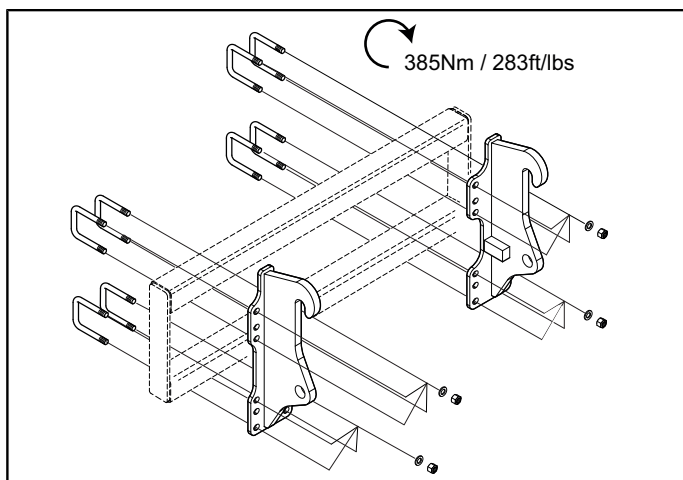
Przewody giętkie oraz inne podzespoły hydrauliczne umożliwiające podłączenie ładowarki do oryginalnego zaworu traktora.

Rys. 176 Zestaw przewodów giętkich

## 38.2. Mocowania osprzętu

Osprzęt może być wyposażony w różne typy haków osprzętu w zależności od zaczepów występujących w ładowarce/maszynie bazowej. Istnieją różne systemy mocowania haków - spawane lub różne wersje systemów przykręcanych. Aby uzyskać informacje o dostępnych hakach osprzętu, skontaktuj się z firmą Ålö AB. Zwróć uwagę, czy hak osprzętu jest zgodny z systemem mocowania zastosowanym w ładowarce/maszynie bazowej. **Nigdy nie improwizuj ani nie wprowadzaj modyfikacji!**

Przed przystąpieniem do użytkowania osprzętu upewnij się, czy został on prawidłowo zablokowany zgodnie z instrukcją ładowarki/maszyny bazowej i zamocowania osprzętu.



Rys. 177 Osprzęt może być wyposażony w różne typy haków osprzętu.

## 39. INSTRUKCJA UŻYTKOWANIA

### 39.0.1. Przewidziane zastosowania

Osprzęt jest wyposażony w dwa chwytaki służące do przenoszenia materiału. Materiał należy transportować na możliwie jak najniższej wysokości. Podstawowe obszary zastosowania to przenoszenie:

Podczas jazdy należy maksymalnie obniżyć ładownicę. Pamiętaj, że im wyżej podniesiona jest ładownica, tym wyżej znajduje się środek ciężkości i tym większe ryzyko przewrócenia się traktora.

### 39.0.2. Montaż

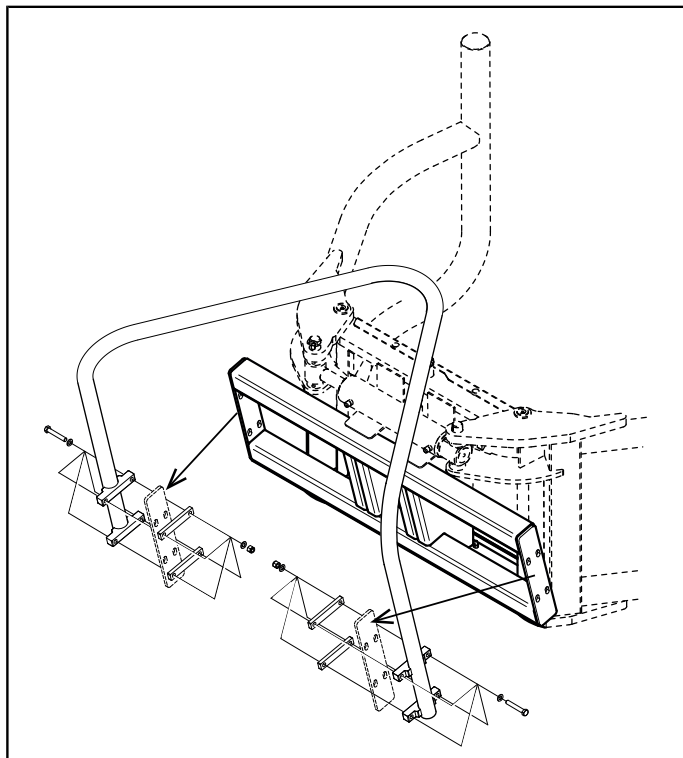
Osprzęt jest dostarczany w stanie częściowo zmontowanym.

**Siłownik** jest dostarczany w dołączonej skrzynce z wyposażeniem dodatkowym. Mocowania i przewody giętkie między osprzętem a maszyną są dostarczane w oddzielnych zestawach. Siłownik (1) należy zamontować w taki sposób, by przyłącza oleju były skierowane do tyłu. Sworznie (2) należy zablokować śrubami (3) w sposób pokazany na rysunku. Łożyskowania siłownika należy nasmarować przez zamontowaniem sworzni.

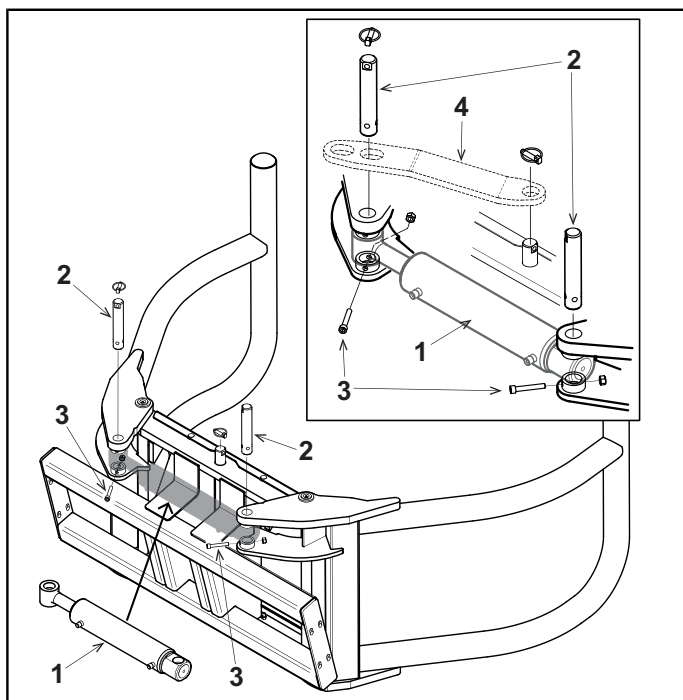
**Drażek ograniczający.** Ruch prawego lub lewego chwytaka można ograniczyć za pomocą drążka (4). Drażek montuje się między ramą a sworzniem (2). Po zamontowaniu drążka bele można układać bliżej siebie. Przy przenoszeniu bel o średnicy 120 cm należy użyć skrajnego spośród dwóch otworów drążka (dotyczy Flexigrip 160).

#### Back Stop

Som en extra säkerhetsåtgärd kan man montera en s.k. Back Stop. Denna hindrar balar från att rulla bakåt över traktorföraren. Den finns att beställa som tillbehör.



Rys. 178 Montaż zestawu przewodów giętkich



Rys. 179 Montaż siłownika i drążka blokującego

Rys. 180 Montaż elementu BackStop

## Instrukcja użytkowania

Zestaw przewodów giętkich

Podłącz przewody giętkie do siłownika.

Przewód giętki mający połączenie z siłownikiem po stronie (+) powinien być oznaczony kolorem czerwonym.

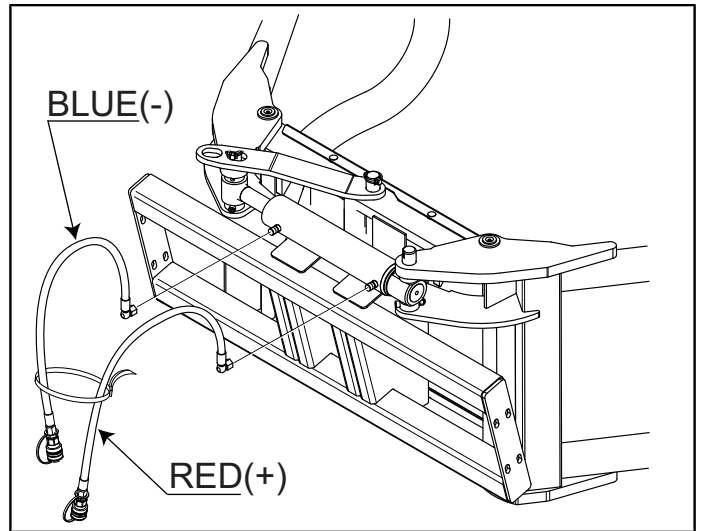
Przewód giętki mający połączenie z siłownikiem po stronie (-) powinien być oznaczony kolorem niebieskim.

Ładowarka powinna być wyposażona w dwukierunkowe przyłącze oleju przy zamocowaniu osprzętu.

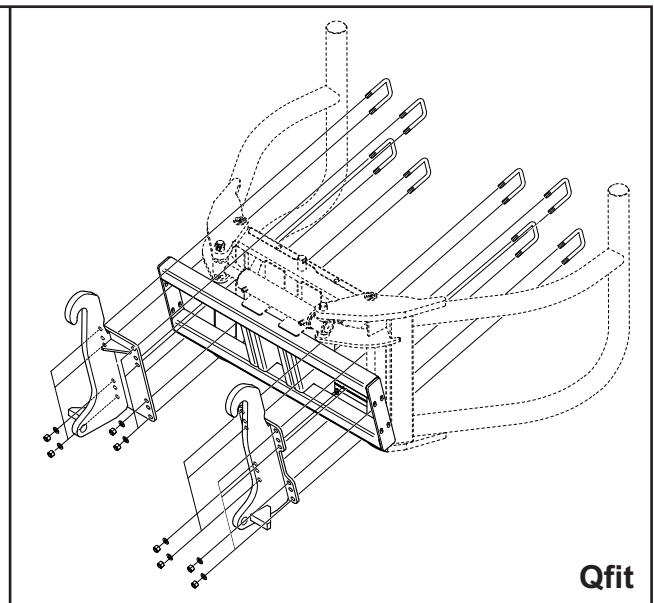
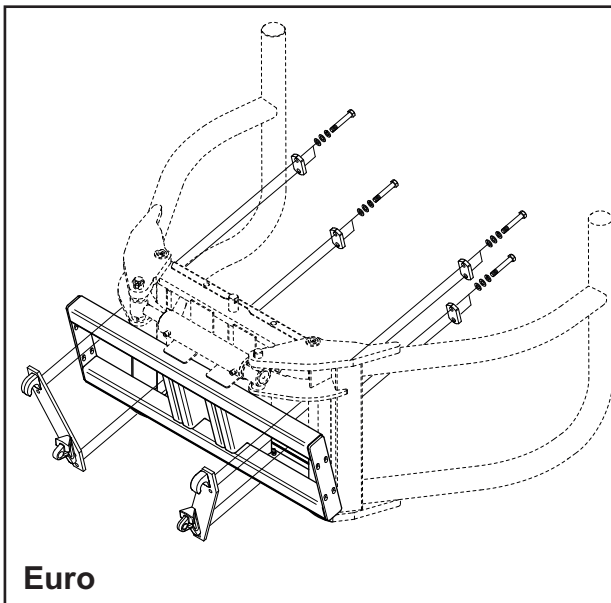


### Ostrzeżenie!

Montując przewody giętkie, sprawdź, czy ich długość jest wystarczająca i czy nie ulegną zgnieceniu między mocowaniem osprzętu, ramieniem ładowarki i elementami mechanizmu - ewentualnie wyreguluj złącza.



Zestaw haków zamawia się oddzielnie u sprzedawcy sprzętu. Montażu należy dokonać zgodnie z dołączoną instrukcją.

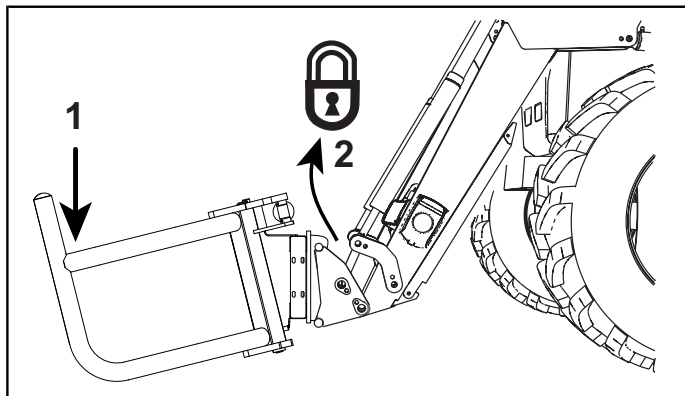


Rys. 181 Przykład zamontowania zestawu haków

### 39.1. Czynnności do wykonania przed rozpoczęciem użytkowania osprzętu

Sprawdź, zachowując ostrożność, czy:

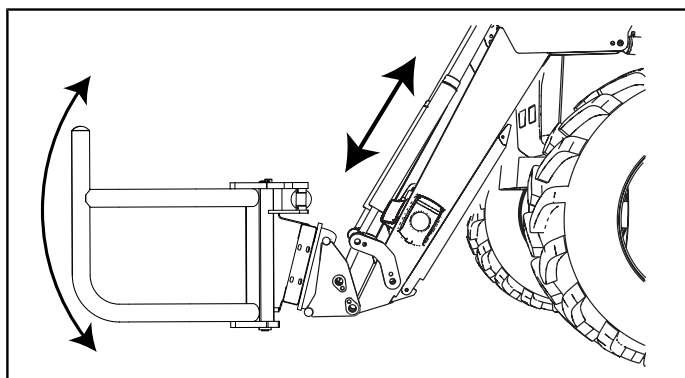
1. Przewód giętki podłączony do siłownika po stronie (+) posiada czerwone oznaczenie i czy osprzęt porusza się zgodnie z opisem czynności otwierania/zamykania.
2. Nie występują wycieki oleju hydraulicznego.
3. Osprzęt został prawidłowo zamontowany w uchwycie i wszystkie sworznie są zablokowane. Naciśnij krawędź osprzętu w kierunku podłoża (1), aby sprawdzić, czy jest dobrze zamocowany (2).



Rys. 182 Sprawdź, czy osprzęt jest dobrze zamocowany, naciskając jego krawędź w kierunku podłoża.

4. Nie występuje niebezpieczeństwo kolizji ładowarki z osprzętem (patrz rysunek).
5. Nasmaruj osprzęt zgodnie z punktem 40. *Smarowanie i konserwacja.*

Patrz też punkt „Podłączanie i odłączanie osprzętu” w instrukcji obsługi ładowarki.



Rys. 183 Sprawdź dokładnie, że nie istnieje ryzyko zderzenia ładowacza i wdrożenia.



**Ostrzeżenie!**

**NIE WOLNO** podchodzić, stawać lub pracować pod podniesioną ładowarką. W miejscu pracy nie powinny przebywać osoby postronne (szczególnie dzieci) i zwierzęta.



0106

Rys. 184 **NIE WOLNO** podchodzić, stawać lub pracować pod podniesioną ładowarką.

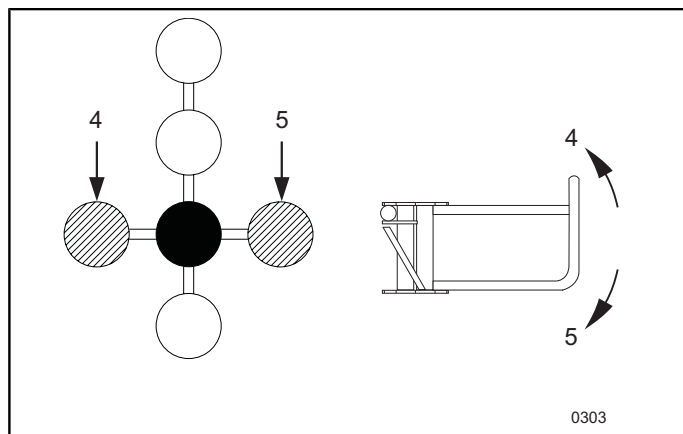


### 39.1.1. Opróżnianie/podnoszenie osprzętu

Montaż prawostronny: Przesuń dźwignię w lewo (4), aby podnieść osprzęt.

Przesuń dźwignię w prawo (5), aby opróżnić osprzęt.

*Uwaga.* W przypadku montażu lewostronnego kierunek ruchów jest przeciwny (nie dotyczy EasyDrive LCS i ElectroDrive LCS, które występują tylko w wersji z montażem prawostronnym).



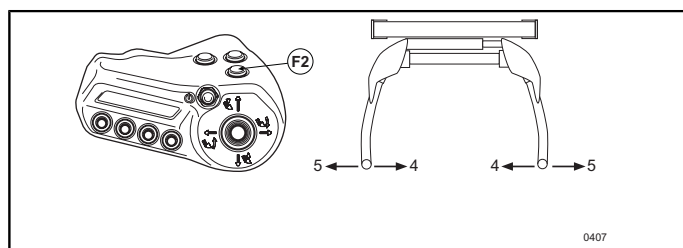
Rys. 185 Opróżnianie/podnoszenie osprzętu

### 39.1.2. Otwieranie/zamykanie osprzętu – EasyDrive LCS i ElectroDrive LCS

Do otwierania i zamykania osprzętu wykorzystywana jest trzecia funkcja hydrauliczna sterowana za pomocą wyłącznika F2.

Przesunięcie dźwigni w prawo (5) powoduje otwarcie osprzętu, a przesunięcie dźwigni w lewo (4) powoduje zamknięcie osprzętu (montaż prawostronny).

*Uwaga.* Zwolnienie wyłącznika trzeciej funkcji hydraulicznej powoduje natychmiastowy powrót dźwigni sterowniczej do funkcji opróżniania/podnoszenia.



Rys. 186 Otwieranie/zamykanie osprzętu – EasyDrive LCS i ElectroDrive LCS

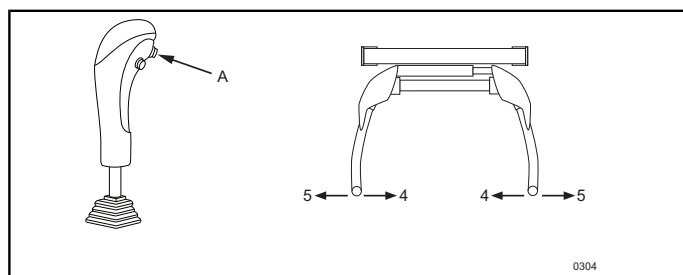
### 39.1.3. Otwieranie/zamykanie osprzętu – ErgoDrive LCS/ErgoDrive

Do otwierania i zamykania osprzętu wykorzystywana jest trzecia funkcja hydrauliczna, do sterowania którą służy wyłącznik (A) umieszczony z przodu dźwigni sterowniczej.

Przesunięcie dźwigni w prawo (5) powoduje otwarcie osprzętu, a przesunięcie dźwigni w lewo (4) powoduje zamknięcie osprzętu (montaż prawostronny).

W przypadku montażu lewostronnego kierunek ruchów jest przeciwny.

*Uwaga.* Zwolnienie wyłącznika trzeciej funkcji hydraulicznej powoduje natychmiastowy powrót dźwigni sterowniczej do funkcji opróżniania/podnoszenia.



Rys. 187 Otwieranie/zamykanie osprzętu – ErgoDrive LCS/ ErgoDrive

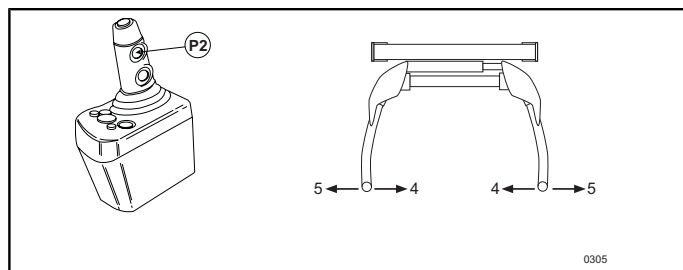
### 39.1.4. Otwieranie/zamykanie osprzętu – ElectroDrive CDC

Do otwierania i zamykania osprzętu wykorzystywana jest trzecia funkcja hydrauliczna sterowana za pomocą wyłącznika P2.

Przesunięcie dźwigni w prawo (5) powoduje otwarcie osprzętu, a przesunięcie dźwigni w lewo (4) powoduje zamknięcie osprzętu (montaż prawostronny).

W przypadku montażu lewostronnego kierunek ruchów jest przeciwny.

Zwolnienie wyłącznika trzeciej funkcji hydraulicznej powoduje natychmiastowy powrót dźwigni sterowniczej do funkcji opróżniania/podnoszenia.



Rys. 188 Otwieranie/zamykanie osprzętu – ElectroDrive CDC



### 39.1.5. Otwieranie/zamykanie osprzętu - Zespół przewodów giętkich

Zespół przewodów giętkich - dźwignia sterownicza traktora, patrz instrukcja obsługi traktora.

### 39.1.6. Instrukcja użytkowania

Aby uniknąć uszkodzenia folii, górną część chwytaków należy umieścić na wysokości górnej krawędzi beli. Transportuj belę w pozycji leżącej - podnieś ją do pozycji stojącej na miejscu załadunku/składowania.

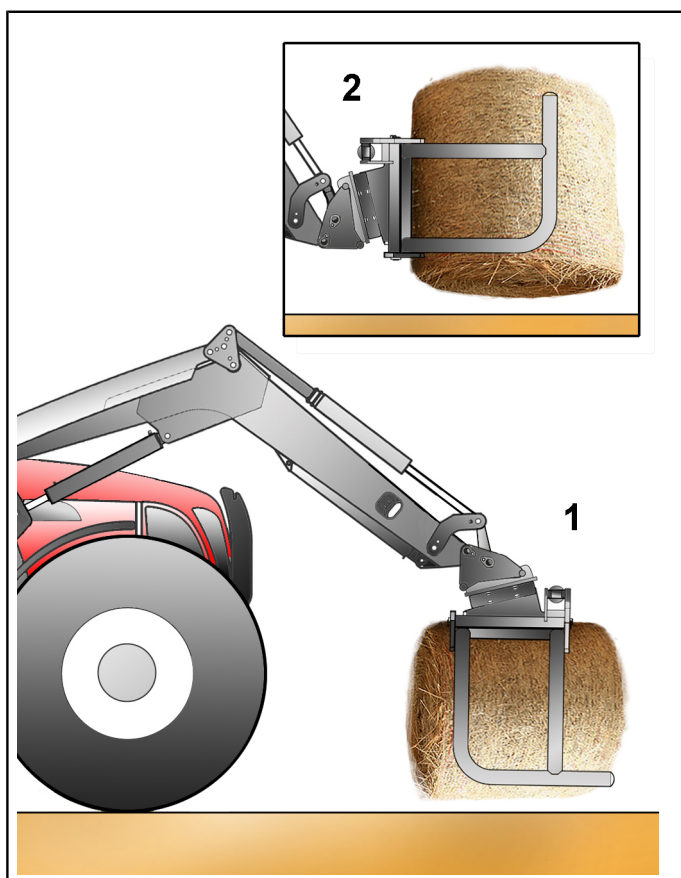
*Uwaga.* Belę należy obracać na jak najmniejszej wysokości.



#### Ostrzeżenie!

Belę należy obracać na możliwie jak najmniejszej wysokości. Podczas transportowania na duże odległości siła zacisku może się zmniejszyć na skutek wewnętrznego przecieku oleju w zaworze sterującym ładowarki.

Aby uniknąć upuszczania bel z powodu wewnętrznego przecieku oleju można zatrzymywać maszynę i zwiększać siłę zacisku na beli w równych odstępach czasu lub wyposażyć osprzęt w zawór podtrzymujący obciążenie (wyposażenie dodatkowe).



Rys. 189 Transportuj belę w pozycji leżącej i na małej wysokości (1) - podnieś ją do pozycji stojącej na miejscu załadunku/składowania.

### 39.1.7. Przy odstawianiu

Nie odłączaj osprzętu, gdy siłownik znajduje się w jednym ze skrajnych położeń - przy podłączeniu szybkozłączek może to spowodować trudności związane z nadmiernym ciśnieniem.

Patrz też punkt „Podłączanie i odłączanie osprzętu” w instrukcji obsługi ładowarki.

## 40. SMAROWANIE I KONSERWACJA

**!** **Ostrzeżenie!**  
Nigdy nie stawaj między przodem traktora a rurą poprzeczną ładowarki.



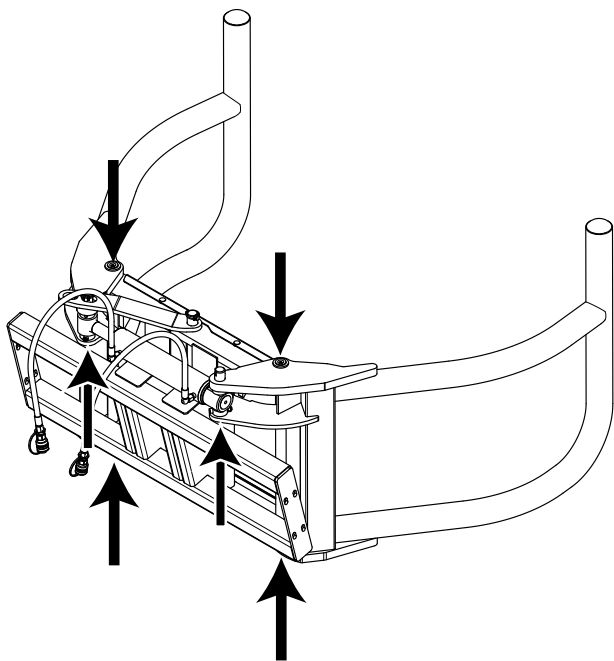
Rys. 190 Nigdy nie stawaj między przodem traktora a rurą poprzeczną ładowarki.

### 40.1. Punkty smarowania

Wszystkie łożyskowania są wyposażone w tuleje, które normalnie wymagają smarowania tylko raz w miesiącu.

**!** **Ostrzeżenie!**  
Niebezpieczeństwo przygniecenia i przytrzaśnięcia.  
Ładowarka może spaść.  
Przed rozpoczęciem smarowania opuść osprzęt na ziemię i zamknij osprzęt.

Rys. 191 Punkty smarowania.



### 40.2. Przechowywanie

Nanieś cienką warstwę smaru na widoczne tłoczyska, aby je zabezpieczyć.

### 40.3. Przewody giętkie i siłowniki

Przeczytaj poniższy tekst przed rozpoczęciem kontroli szczelności układu hydraulicznego:



**Ostrzeżenie!**  
**Olej pod ciśnieniem.**

Olej hydrauliczny pod wysokim ciśnieniem może w przypadku nieszczelności wystrzelić na ciało i spowodować poważne obrażenia, utratę wzroku lub śmierć. Wyciek może być niewidoczny.

Używaj atestowanych okularów ochronnych i chroń skórę na przykład mocnymi rękawicami skórzanymi. Do szukania wycieków użyj kawałka kartonu lub drewna. Jeżeli ciecz wniknie w skórę, **MUSI** zostać usunięta w ciągu paru godzin przez lekarza, który potrafi postępować z tego rodzaju obrażeniami.



0118a

Rys. 192 **NIGDY** nie szukaj wycieków palcami lub dłońmi.

Regularnie sprawdzaj przewody giętkie i połączenia pod względem zużycia i wycieków. Upewnij się, że przewody giętkie mają wystarczającą ilość miejsca i nie ocierają się o inne elementy. Wymień uszkodzone przewody giętkie i dokręć wszystkie połączenia.

Siłowniki są siłownikami dwustronnego działania. Dla zapewnienia optymalnego działania trzeba je zawsze utrzymywać w dobrym stanie. Wycieki, wewnętrzne lub zewnętrzne, wpływają na ich sprawność i mogą być niebezpieczne.

Optymalne działanie osprzętu wymaga układu hydraulicznego pracującego pod wysokim ciśnieniem. Używaj wyłącznie części zamiennych zatwierdzonych przez producenta.

#### 40.3.1. Kontrola połączeń hydraulicznych

Sprawdź, czy wszystkie przewody giętkie i końcówki są dokręcone i czy nie przeciekają.

#### 40.3.2. Naprawa siłowników hydraulicznych

Demontaż, naprawa i montaż siłowników hydraulicznych wymagają zastosowania narzędzi specjalnych, by nie doszło do uszkodzenia elementów wewnętrznych. Zalecamy, by siłowniki wymagające naprawy wysłać do autoryzowanego sprzedawcy, który podejmie odpowiednie działania.

## 41. DANE

<b>Model</b>	<b>160</b>	<b>200</b>
Masa, bez haków	235 kg	260 kg
Siłownik	80 mm / 40 mm	80 mm / 40 mm
Wielkość bel	120-160 cm	150-200 cm
Maks. masa beli	1000 kg	1000 kg
Maks. ciśnienie robocze	200bar / 20MPa *)	

\*) Jeśli ciśnienie robocze jest wyższe niż 200 bar, należy zastosować ogranicznik ciśnienia. Zestaw ogranicznika ciśnienia można zamówić jako wyposażenie dodatkowe.

### 41.1. Tabela zaleceń

<b>Model ładowarki</b>	<b>Maks. obciążenie</b>
X21	650 kg
X31, X41	750 kg
X51	800 kg
X26	950 kg
Q21 (+1.1), Q31 (+2.1), Q26 (+1.1P)	1000 kg
Q36 (+2.1P)	1000 kg
X36, Q33 (+2.3)	1000 kg
X46, Q41 (+3.1)	1000 kg
X56, Q51 (+4.1), Q38 (+2.3P), Q46 (+3.1P), Q49 (+3.4P)	1000 kg
Q56 (+4.1P)	1000 kg
Q48 (+3.3P)	1000 kg
Q61 (+5.1), Q58 (+4.3P)	1000 kg
Q66 (+5.1P)	1000 kg
Q68 (+5.3P), Q76 (+6.1P), Q78 (+6.3P), Q88 (+7.3P), Q98 (+8.3P)	1000 kg
Ładowarka kołowa / ładowarka teleskopowa	1000 kg

## 42. POSTANOWIENIA GWARANCYJNE

Firma ÅLÖ AB zobowiązuje się przez okres 12 (dwunastu) miesięcy od dnia dostarczenia ładowacza czołowego/sprzętu nabywcy wymienić lub naprawić części, które będą tego wymagać z powodu wad materiału lub wykonania. Obowiązuje przy tym warunek, by wada została niezwłocznie zgłoszona dostawcy, a także by wadliwa ładowacz czołowy/element zostały przekazane do jego swobodnej dyspozycji.

W odniesieniu do części wymienionych gwarancja obowiązuje jedynie przez pozostały okres gwarancyjny.

Gwarancja nie obejmuje usterek spowodowanych niebezpiecznym wypadkiem, nieprawidłową konserwacją, przeróbką lub nieprawidłowo wykonanym montażem ze strony nabywcy. W przypadku wymiany gwarancyjnej części, które są narażone na szczególnie duże zużycie, nabywca jest zobowiązany zapłacić za czas ich eksploatacji.

Nie wypłacamy odszkodowań za obrażenia ciała, przestoje, szkody następce lub inne straty.

Testy lub czynności diagnostyczne wykonywane na zlecenie nabywcy nie wiążą się z kosztami dla nabywcy, jeżeli w ich wyniku zostaną wykryte wady.

W pozostałych przypadkach nabywca będzie obciążony wszystkimi kosztami.

Nie pokrywamy kosztów napraw prowizorycznych lub kosztów dodatkowych związanych z wykonywaniem prac poza zwykłym czasem pracy.

## DEKLARACJA ZGODNOŚCI WE

(Dyrektywa 2006/42/WE, Załącznik 2A)

ÅLÖ AB

Brännland 300

SE-901 37 Umeå, Szwecja

Tel. +46 (0)90 17 05 00

Zapewnia niniejszym, że:

Modele osprzętu opisane w niniejszej instrukcji (patrz pierwsza strona), począwszy od miesiąca produkcji: listopad 2015.

A. został wykonany zgodnie z DYREKTYWAMI RADY:

- z dnia 17 maja 2006 roku w sprawie zbliżenia ustawodawstw Państw Członkowskich odnoszących się do maszyn, nr 2006/42/WE, ze szczególnym uwzględnieniem Załącznika 1 dyrektywy określającego zasadnicze wymagania w zakresie ochrony zdrowia i bezpieczeństwa odnoszące się do projektowania i wykonywania maszyn.

B. został wykonany zgodnie z następującymi normami zharmonizowanymi:

EN ISO 12100:2010, EN ISO 4413:2010, EN 12525:2000+A2 2010.

Firma RISE SMP Svensk Maskinprovning AB, Box 7035, SE-750 07 Uppsala, Szwecja, przeprowadziła dobrowolne badanie typu dla ÅLÖ AB. Numer certyfikatu: SEC/09/2051 – osprzęt hydrauliczny.

Osobą odpowiedzialną za przygotowanie dokumentacji technicznej w firmie ÅLÖ AB jest Anders Lundgren, Executive Vice President R&D.



Umeå 2022-09-01

Niklas Åström

Dyrektor naczelny

## UK DECLARATION OF CONFORMITY

(Dotyczy rynku Wielkiej Brytanii)

Address: Manufacturer	Address: Authorized representative
ÅLÖ AB	Alo UK Ltd
Brännland 300	Unit 1 Ryelands Business Centre,
SE-901 37 Umeå, Sweden	Ryelands Lane,
Tel. +46 (0)90 17 05 00	Elmley Lovett,
	Droitwich,
	Worcestershire
	WR9 0PT, UK

Hereby certifies that:

Attachment models described in this document, see front page, from and including manufacturing month November 2015.

- A. manufactured in conformity with the provisions in the Supply of Machinery (Safety) Regulations 2008,
- B. manufactured according to the following designated standards: BS EN ISO 12100:2010, BS EN ISO 4413:2010, BS EN 12525:2000+A2:2010.

RISE SMP Svensk Maskinprovning AB, Box 7035, SE-75007 Uppsala, Sweden, has carried out voluntary type examination for ÅLÖ AB. The certificate has number: SEC/09/2051 – hydraulic implements.

The person authorized to compile technical documentation at ÅLÖ AB is Anders Lundgren, Executive Vice President R&D.



Umeå 2022-09-01

Niklas Åström

President and Chief Executive Officer (CEO)

## 43. FORORD

### 43.1. Generel information



**Advarsel!**

Uforsigtig eller forkert anvendelse kan medføre alvorlige skader eller dødsfald for føreren eller andre. Følg sikkerhedsinstruktionerne.

Denne instruktionsbog beskriver anvendelse og vedligeholdelse af redskabet. Instruktionsbogens informationer var korrekte på tidspunktet for trykningen. Kontakt din forhandler, hvis der er dele af bogen, du ikke forstår.

Der leveres en brugerhåndbog sammen med hvert redskab for at vise føreren, hvordan redskabet skal håndteres og vedligeholdes. Læs og brug informationerne, så du er i stand til at bruge redskabet på en sikker måde og i kombination med korte stilstandstider. Dette redskab er konstrueret med let service for øje, og det kan vedligeholdes med normale håndværktøjer.

Gennemlæs og forstå instruktionsbogen nøje, inden du begynder at anvende redskabet. Hvis du er en uerfaren fører, skal du gennemlæse instruktionsbogen og spørge erfarne førere om råd. Forhandleren kan også hjælpe dig med at lære at betjene redskabet og anvende egnede arbejdsmetoder. Opbevar denne instruktionsbog på et lettilgængeligt sted - f.eks. på traktoren. Hvis den gamle instruktionsbog bliver beskadiget eller forsvinder, bør du anskaffe en ny.

Læs også læsserens instruktionsbog, den indeholder informationer, der er vigtige for din sikkerhed.



**Forsigtig!**

Gennemlæs hele instruktionsbogen, inden du begynder at bruge produktet.

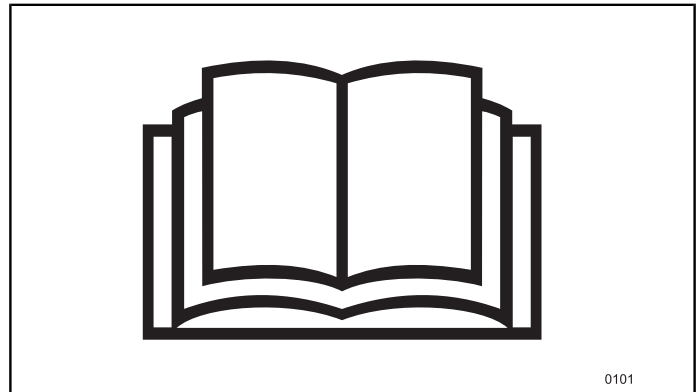
Vi forbeholder os ret til når som helst at indføre ændringer hvad angår udformning, specifikationer eller forbedringer uden forudgående meddelelse eller ansvar.

Notér informationerne fra redskabets maskinskilt, og angiv altid disse, når du kontakter din forhandler.

Skiltet angiver:

Produkt, type, reference- og serienummer og vægt.

Angiv altid: Produkt (A), type (B) og serienummer (C) ved servicespørgsmål eller reservedelsbehov.



Figur 193 Gennemlæs hele brugerhåndbogen, inden du begynder at bruge produktet.

**Produktinformation**

Product	
Type	
Ref. No.	
Serial No.	
Date	
Weight	
Manufacturer	
Reseller information	

Figur 194 Produktinformation

	Product	XXXXXXXXXXXXXXXXXXXXXXXXXXXX	← A
	Type	XXXXXXXXXXXXXXXXXXXXXXXXXXXX XXXXXXXXXXXXXXXXXXXXXXXXXXXX	
	Ref.No.	XXXXXXXXXX	← C
	Serial No. / year	XXXXXXXXXX XXXXX	
Made by ÅTÖ AB	Kit No.	XXXXXXXXXX	Weight XXXXXXXX kg
Umeå Sweden Made in xxxxxxxx			

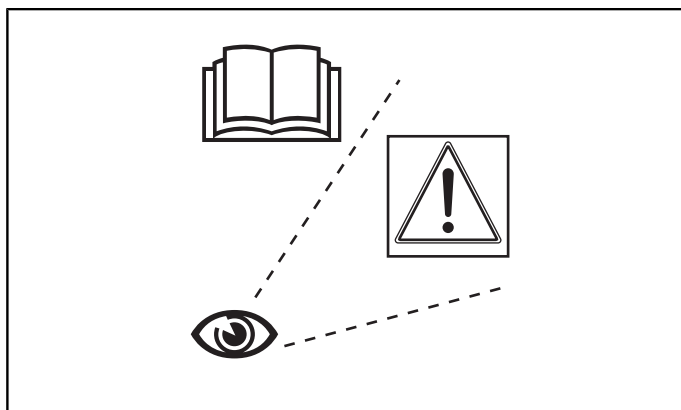
Figur 195 Maskinskilt.





## 44.2. Forklaring af advarselsniveauer

Når du ser sikkerhedssymboler og signalord, på mærkater eller i instruktionsbogen, SKAL instruktionerne følges, eftersom de handler om din egen personlige sikkerhed.



Figur 197 Find, læs og sæt dig ind i, hvad mærkaterne betyder, før læsseren og redskabet anvendes.

### 44.2.1. Symbolforklaring

Sikkerhedssymbol. Information i forbindelse med dette symbol vedrører din personlige sikkerhed og skal følges.



**Fare!**

Betyder en umiddelbart farlig situation, som, hvis den ikke undgås, vil medføre dødsfald eller alvorlig personskade. (Kun i Nordamerika)



**Advarsel!**

Angiver, at der kan ske en ulykke, hvis forskrifterne ikke følges. Ulykken kan medføre alvorlig personskade eller dødsfald.



**Forsigtig!**

Angiver, at der kan ske en ulykke, hvis forskrifterne ikke følges. Ulykken kan medføre personskade.

Følgende tekst og instruktioner gælder ikke personsikkerhed, men anvendes gennemgående i instruktionsbogen for at give yderligere tips ved betjening af eller service på redskabet.

**Vigtigt!** Angiver, at der kan ske en ulykke, hvis forskrifterne ikke følges. Ulykken kan medføre skade på ting, proces eller omgivelser.

*Bem.* Angiver ekstra informationer, som kan lette forståelsen eller udførelsen af en bestemt handling.

## 44.3. Arbejdsledelse og brugere

### 44.3.1. Ansvar



**Forsigtig!**

Denne instruktionsbog og traktorens egen instruktionsbog skal altid opbevares i traktoren.

- Hvis der ikke er en instruktionsbog til traktoren, skal du skaffe en fra forhandleren, før du monterer og bruger læsseren og redskabet.
- Gennemlæs nøje alt materiale, og lær at anvende udstyret sikkert og korrekt.



Figur 198 Sikkerhedssymbol

**!** Advarsel!  
Brug IKKE læsseren eller redskabet som arbejdsplatform.

**!** Advarsel!  
Brug kun redskabet til det formål, det er beregnet til.

**!** Advarsel!  
Grib ikke genstande, der forskyder tyngdepunktet væsentligt udefter. Dette kan medføre ustabilitet.

**!** Advarsel!  
Brug IKKE læsseren til at løfte eller transportere personer.

- Lad kun kvalificerede personer køre maskinen.

**!** Advarsel!  
Kontroller altid omgivelserne omkring maskinen, og sørg for, at alle personer, især børn, og dyr har flyttet sig, inden maskinen startes eller flyttes.

Du kan ikke høre eventuelle advarselsråb fra personer udenfor, når du sidder inde i førerhuset med lukket dør.

**!** Fare!  
Sådan forhindrer du alvorlige fastklemnings- og knusningsskader, som kan medføre dødsfald: Sørg for, at personer og materiel er på tilstrækkelig afstand, mens redskabet anvendes.

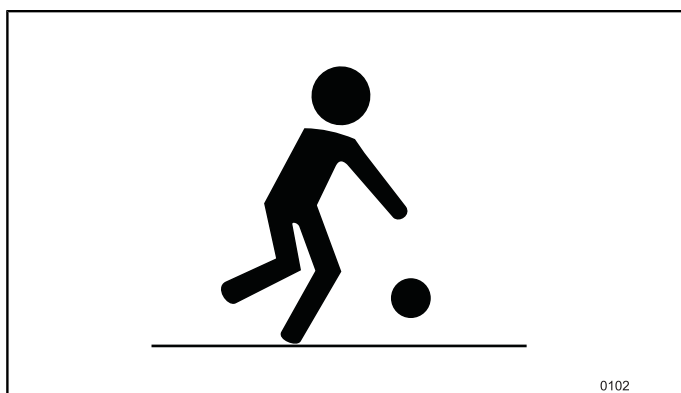
Lær arbejdsområdet og terrænet at kende. Vær opmærksom på frihøjder og begrænsninger, der opstår som følge af den forøgede rækkevidde.



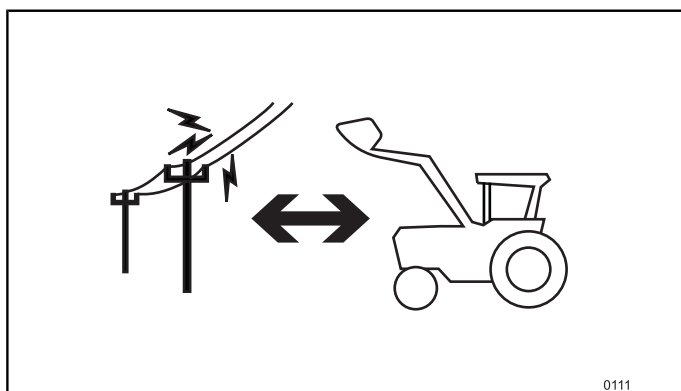
Figur 199 Brug IKKE læsseren eller redskabet som arbejdsplatform.



Figur 200 Brug IKKE læsseren eller redskabet til at løfte eller transportere personer.



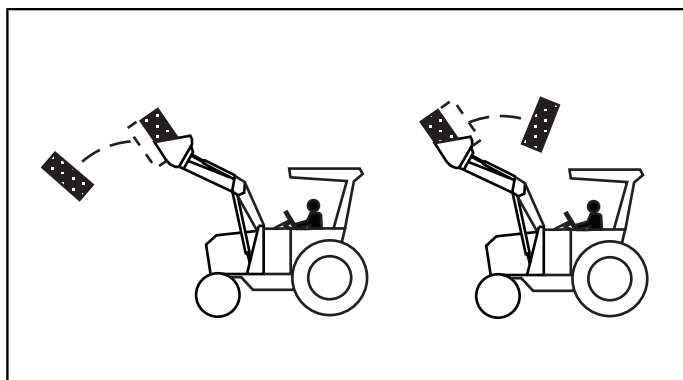
Figur 201 Inden start skal du kontrollere, at der ikke opholder sig personer i nærheden af maskinen.



Figur 202 Lær arbejdsområdet at kende inden start. Hold afstand til elledninger og andre forhindringer.

**⚠ Advarsel!**  
Se altid på redskabet. Genstande kan falde ned foran traktoren eller rulle bagud og ramme føreren, når læsseren hæves. Løft kun genstande, som redskabet er beregnet til.

**⚠ Advarsel!**  
Se altid på redskabet. Genstande kan falde ud under transport. Transportér kun genstande, som redskabet er beregnet til.



Figur 203 Se altid på redskabet. Genstande kan falde ned foran traktoren eller rulle bagud og ramme føreren, når læsseren hæves.

**⚠ Advarsel!**  
Stå aldrig mellem traktorens front og læsserens tværrør.

**⚠ Advarsel!**  
Risiko for knusning og fastklemning. Læsseren kan falde ned. Sænk læsseren/redskabet ned på jorden, inden smøringen påbegyndes.

**⚠ Advarsel!**  
Kontroller ved montering af slangerne at de er lange nok, og at de ikke kommer i klemme mellem redskabsbeslag, læsserarm eller drejeled - juster evt. koblingerne.

**⚠ Advarsel!**  
Olie under tryk. Hydraulikolie under højt tryk kan blive sprøjtet ind i kroppen ved utæthed og medføre alvorlige skader, blindhed eller død. Utætheden kan være usynlig. Brug godkendte beskyttelsesbriller, og beskyt huden med f.eks. kraftige læderhandsker. Brug karton eller træ ved søgning efter utætheder. Hvis der er trængt væske ind i huden, SKAL den fjernes i løbet af et par timer af en læge, der kan behandle denne type skader.



Figur 204 Stå aldrig mellem traktorens front og læsserens tværrør.



Figur 205 Brug ALDRIG fingre eller hænder ved søgning efter utætheder.

## 45. BESKRIVELSE

### 45.1. Definitioner

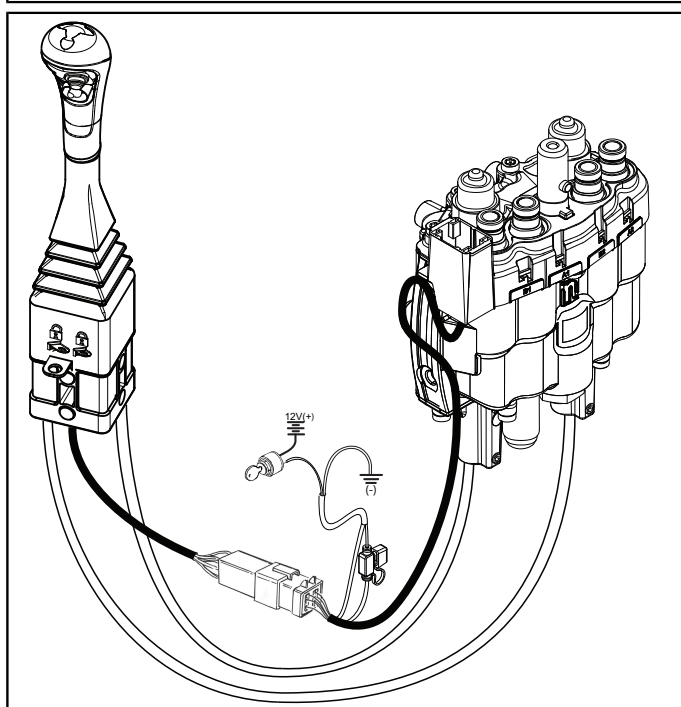
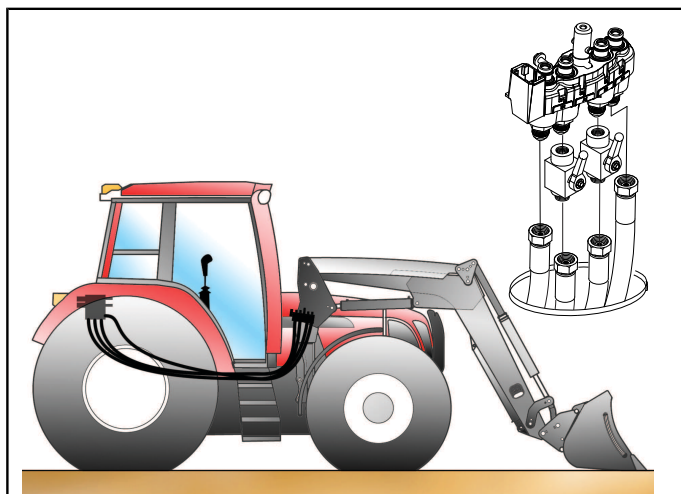
Herunder følger beskrivelser af forskelligt tilbehør, som kan bruges sammen med redskabet og frontlæssere.

#### 45.1.1. 3. funktion

Ekstra hydraulikfunktion til styring af redskabets hydraulik.

#### 45.1.2. ErgoDrive / ErgoDrive LCS

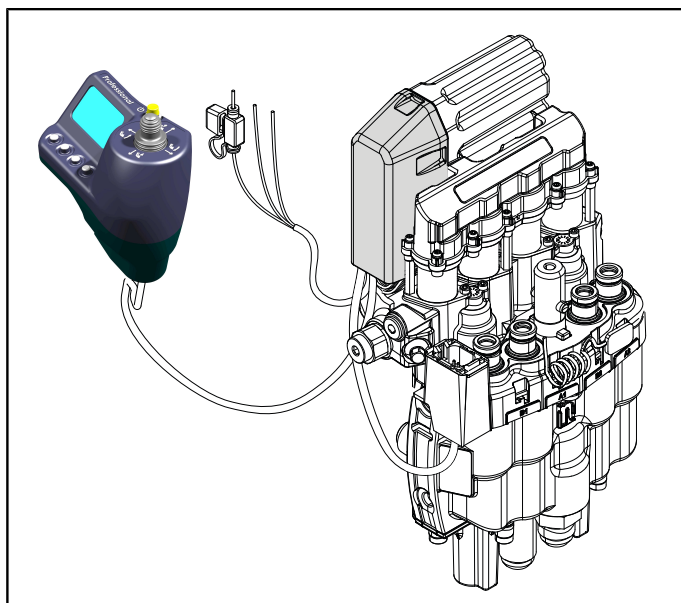
Monteringssættet indeholder en mekanisk styreventil og mekanisk styrekontrol samt hydrauliktilslutning til den anførte traktormodel.



Figur 206 ErgoDrive

### 45.1.3. ElectroDrive CDC / ElectroDrive LCS / EasyDrive LCS

Monteringsset som ovenstående, men med elektrisk styreventil og elektrisk joystick.



Figur 207 ElectroDrive

### 45.1.4. Slangesæt

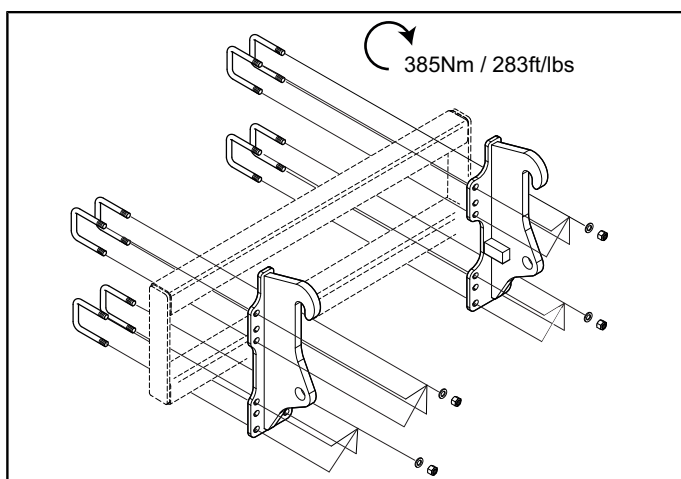
Slanger og hydraulikkomponenter for tilslutning af læsseren til traktorens originalventil.

Figur 208 Slangesæt

## 45.2. Redskabsbeslag

Redskabet kan udstyres med forskellige typer redskabskroge, afhængigt af læsserens/basismaskinens monteringsbeslag. Der er forskellige fastgørelsessystemer til krogene – svejsede eller forskellige andre skrubare systemer. Du kan få oplysninger om, hvilke redskabskroge der findes, ved at kontakte Ålö AB. Sørg for, at redskabskrogen passer til læsserens/basismaskinens monteringsystem. **Improviser eller tilpas aldrig!**

Kontrollér, at låsning af redskabet sker korrekt ud fra de aktuelle instruktioner for læsseren/basismaskinen og redskabsbeslaget før brug.



Figur 209 Redskabet kan udstyres med forskellige typer redskabskroge.

## 46. ANVENDELSESVEJLEDNING

### 46.0.1. Korrekt brug

Redskabet er udstyret med to gribearme, der benyttes til at bære materialet. Transporter materialet så lavt som muligt. Det væsentligste anvendelsesområde er håndtering af:

Sænk læsseren så langt ned som muligt under kørsel. Husk på, at jo højere lasten er løftet, desto højere bliver tyngdepunktet, og dermed bliver risikoen for, at traktoren vælter, også større.

### 46.0.2. Montering

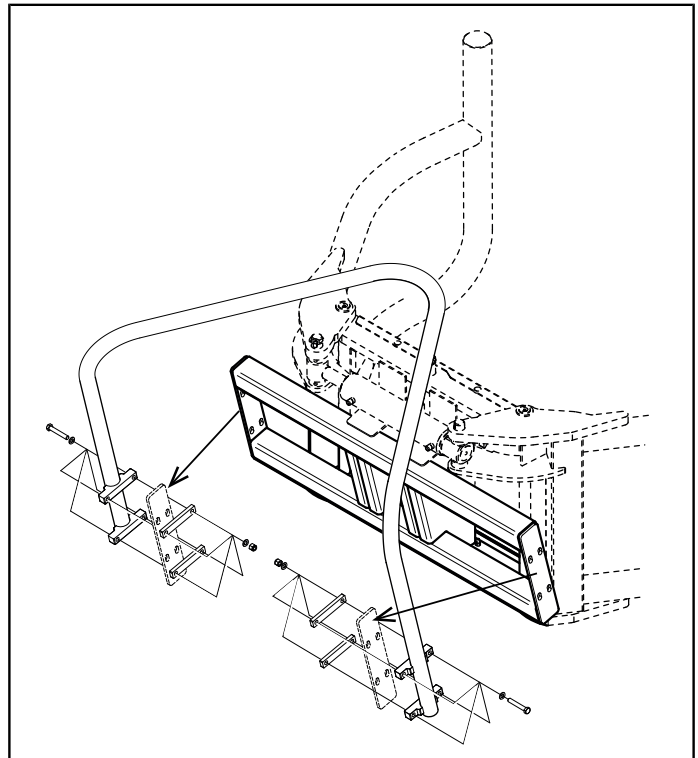
Redskabet leveres delmonteret.

**Cylinderen** leveres i medfølgende tilbehørskasse. Redskabskroge og slanger mellem redskab og maskine leveres i separate sæt. Cylinderen (1) monteres med slangeforskrutningerne bagud. Tappene (2) låses med skruer (3) som vist på billedet. Cylinderens lejringer smøres i fedt før montering af tappe.

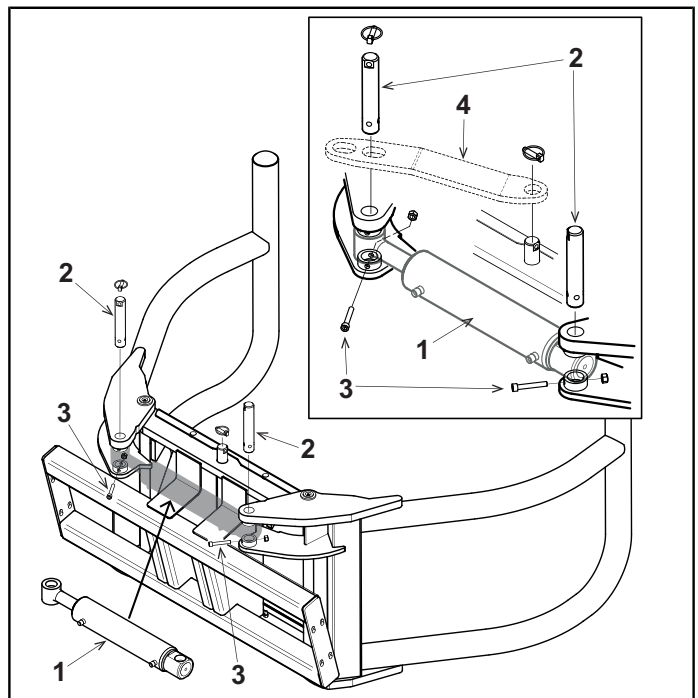
**Begrænsningsbeslag.** Den højre eller venstre arms vandring kan begrænses ved hjælp af låsebeslaget (4). Beslaget monteres mellem ramme og tap (2). Med beslaget monteret kan ballerne stables tættere sammen. Ved håndtering af baller med en diameter på 120 cm skal det yderste af beslagets to huller anvendes (gælder Flexigrip 160).

#### Back Stop

Som en extra sikkerhedsåtgærd kan man montera en s.k. Back Stop. Denna hindrar balar från att rulla bakåt över traktorföraren. Den finns att beställa som tillbehör.



Figur 210 Montering af slangesæt



Figur 211 Montering af cylinder og låsebeslag

Figur 212 Montering af BackStop

## Slangesæt

Monter slangerne til cylinderen.

Den slange, der er i forbindelse med cylinderens (+)-side, skal have rød farvemarkering.

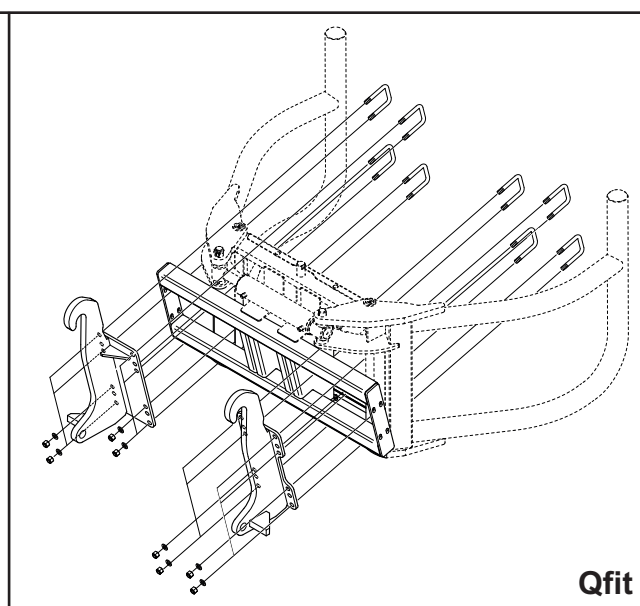
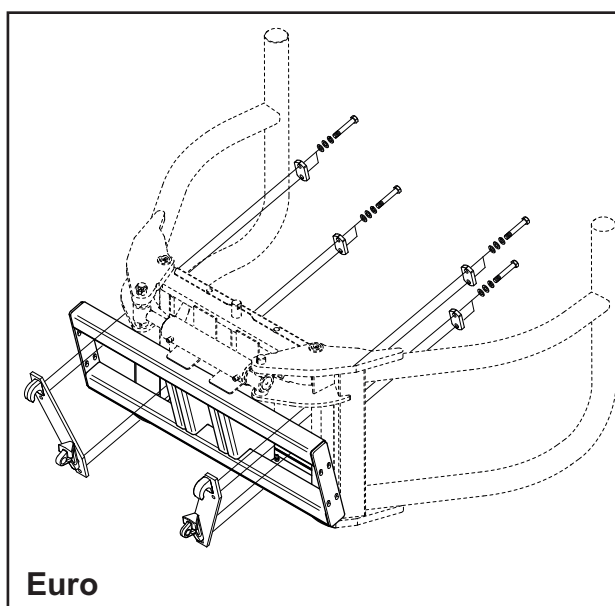
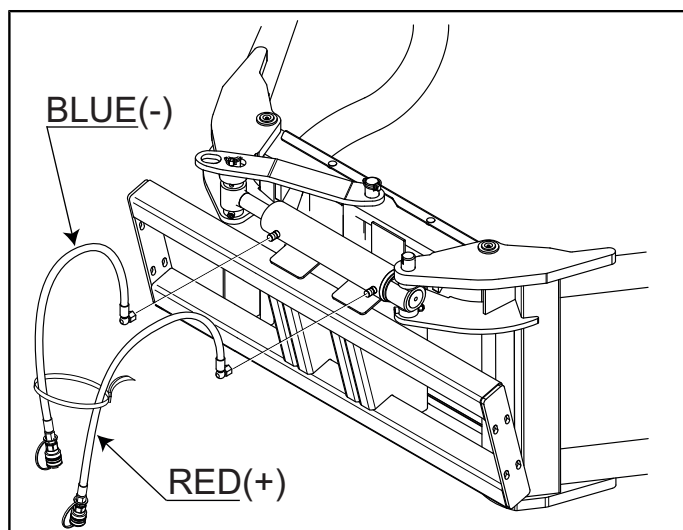
Den slange, der er i forbindelse med cylinderens (-)-side, skal have blå farvemarkering.

Læsseren skal være udstyret med et dobbeltvirkende olieudtag ved redskabsrammen.

**Advarsel!**

**Kontroller ved montering af slangerne at de er lange nok, og at de ikke kommer i klemme mellem redskabsbeslag, læsserarm eller drejeled - juster evt. koblingerne.**

**Krogsæt** bestilles separat hos forhandleren. Monteres i henhold til medfølgende instruktion.

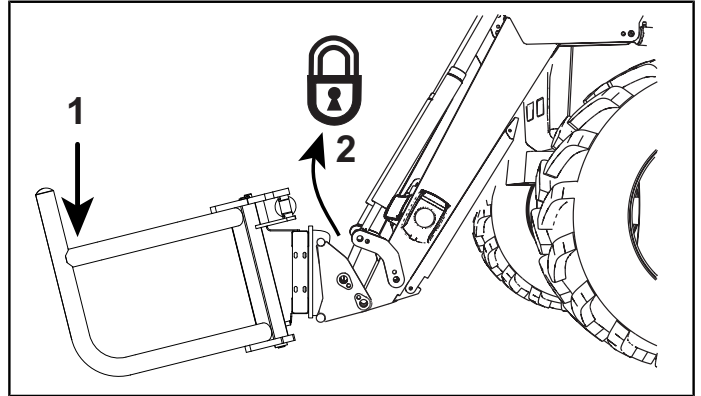


Figur 213 Eksempel på montering af krogsæt

## 46.1. Ting, der skal gøres, inden redskabet anvendes

Kontroller forsigtigt at:

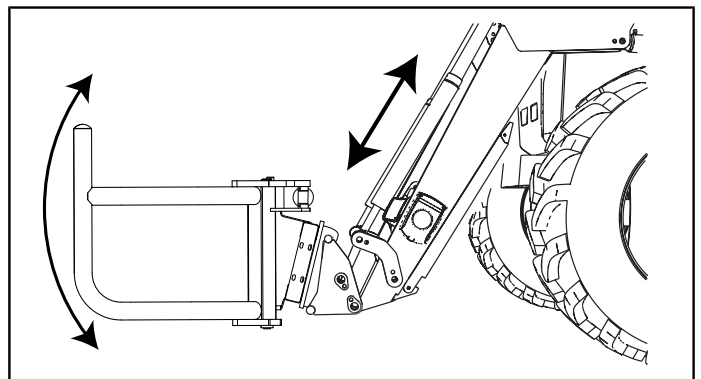
1. Slangen, der er tilsluttet cylinderens (+)-side har rød mærkning, og at redskabet bevæger sig i henhold til beskrivelsen af åbne/lukke.
2. Der ikke forekommer hydraulikolie-lækage.
3. Redskabet er korrekt monteret i redskabsbeslaget, og at tapperne er låst. Pres redskabets spids mod jorden (1) for at kontrollere, at redskabet sidder fast (2).



Figur 214 Kontrollér, at redskabet sidder fast ved at presse spidsen ned mod jorden.

4. Der ikke er risiko for kollision mellem læsser og redskab (se fig.)
5. Smør gear i overensstemmelse 47. *Smøring og vedligeholdelse.*

Se også Til- og frakobling af redskaber i læsserens instruktionsbog.



Figur 215 Kontrollér forsigtigt, at der ikke er risiko for kollision mellem læsseren og redskabet.



### Advarsel!

Stå, gå eller arbejd **IKKE** under en løftet læsser. Sørg for at holde enkeltpersoner - specielt børn - og dyr væk fra arbejdsområdet.



Figur 216 Stå, gå eller arbejd **IKKE** under en løftet læsser.

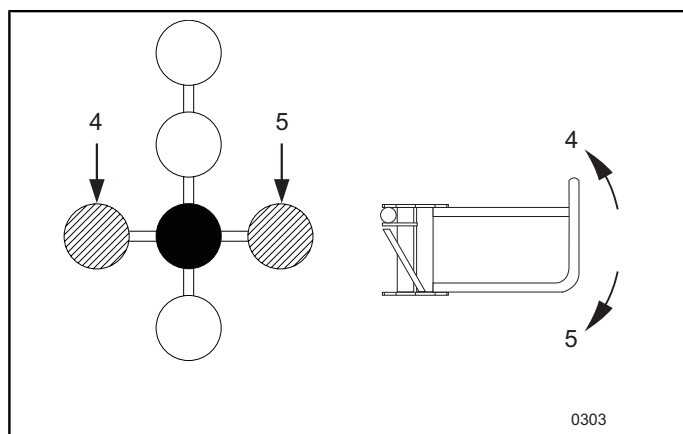


### 46.1.1. Tømning/opadvipning af redskab

Højremonteret: før grebet til venstre (4) for at dreje redskabet op efter.

Før grebet mod højre (5) for at tømme redskabet.

*Bem.* Ved venstremonteret bliver bevægelserne modsatte (gælder ikke EasyDrive LCS og ElectroDrive LCS, som kun findes som højremonteret).



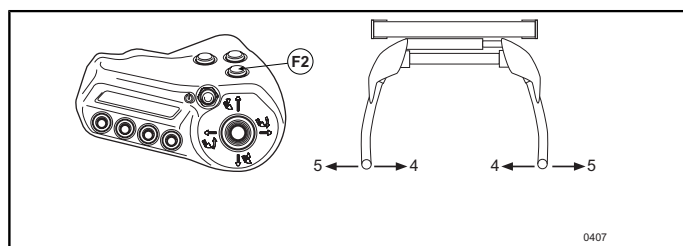
Figur 217 Tømning/opadvipning af redskab

### 46.1.2. Åbne/lukke redskabet - EasyDrive LCS og ElectroDrive LCS

Til åbning og lukning af redskabet benyttes den tredje hydraulikfunktion, der styres med kontakt F2.

Når grebet føres mod højre (5), åbnes redskabet, og når det føres mod venstre (4), lukkes redskabet (højremonteret).

*Bem.* Når kontakten for den tredje hydraulikfunktion slippes, vender redskabet straks tilbage til tømme/brydefunktion.



Figur 218 Åbne/lukke redskabet - EasyDrive LCS og ElectroDrive LCS

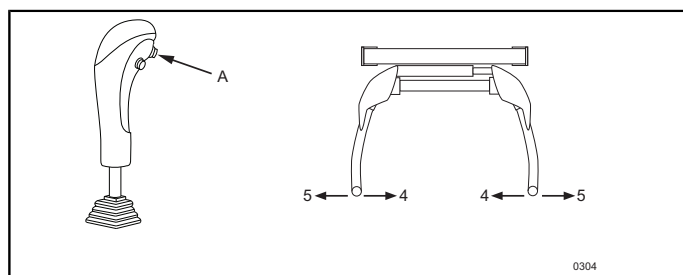
### 46.1.3. Åbne/lukke redskabet - ErgoDrive LCS/ErgoDrive

Til åbning og lukning af redskabet benyttes den tredje hydrauliske funktion, der styres med en kontakt (A) på forsiden af joystick-grebet.

Når grebet føres mod højre (5), åbnes redskabet, og når det føres mod venstre (4), lukkes redskabet (højremonteret).

Ved venstremonteret er bevægelserne modsat.

*Bem.* Når kontakten for den tredje hydraulikfunktion slippes, vender redskabet straks tilbage til tømme/brydefunktion.



Figur 219 Åbne/lukke redskabet - ErgoDrive LCS/ErgoDrive

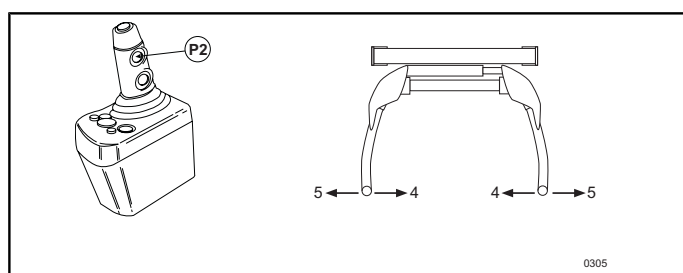
### 46.1.4. Åbne/lukke redskabet - ElectroDrive CDC

Til åbning og lukning af redskabet benyttes den tredje hydraulikfunktion, der styres med kontakt P2.

Når grebet føres mod højre (5), åbnes redskabet, og når det føres mod venstre (4), lukkes redskabet (højremonteret).

Ved venstremonteret er bevægelserne modsat.

Når kontakten for den tredje hydraulikfunktion slippes, vender redskabet straks tilbage til tømme/brydefunktion.



Figur 220 Åbne/lukke redskabet - ElectroDrive CDC

### 46.1.5. Åbning/lukning af redskabet - slangesæt

Slangesæt - traktorens joystick, se traktorens instruktionsbog.

### 46.1.6. Anvendelsesvejledning

For at undgå skader på plastikken skal armens øverste del placeres i højde med ballens overkant. Transporter ballen liggende – træk den op til stående leje ved læsse-/ opbevaringspladsen.

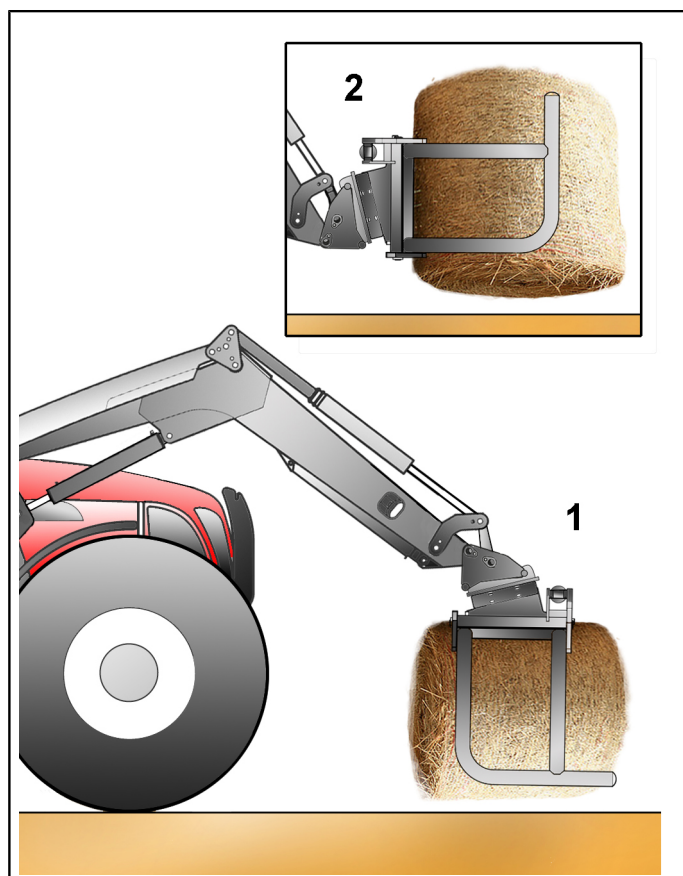
*Bem.* Ballen bør vendes ved så lav højde som muligt.



**Advarsel!**

**Ved lange transportafstande reduceres klemkraften evt. pga. indvendig olielækage i læsserens manøvreventil, således at ballen i værste fald tabes.**

For at undgå "tabte baller" pga. indre olielækage kan man standse og øge klemkraften på ballen med jævne mellemrum eller udstyre redskabet med en lastholdeventil (ekstraudstyr).



Figur 221 Transporter ballen liggende og lavt (1) – træk den op til stående leje ved læsse-/ opbevaringspladsen (2).

### 46.1.7. Ved afsætning

Redskabet må ikke kobles fra med cylinderen i en af yderstillingerne – det kan give problemer med overtryk, næste gang der skal tilsluttes lynkoblinger.

Se også Til- og frakobling af redskaber i læsserens instruktionsbog.

## 47. SMØRING OG VEDLIGEHOLDELSE



**Advarsel!**  
Stå aldrig mellem traktorens front og læsserens tværrør.



Figur 222 Stå aldrig mellem traktorens front og læsserens tværrør.

### 47.1. Smøresteder

Samtlige lejringer er monteret med bøsninger, der normalt kun behøver smøring en gang per måned.

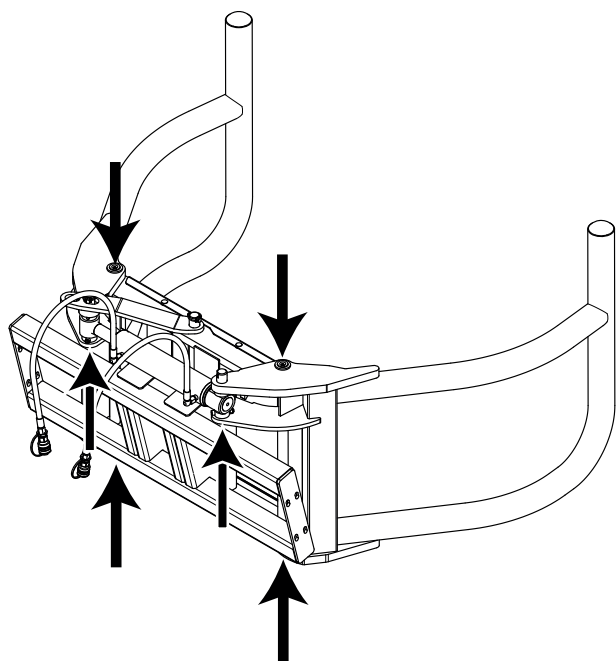


**Advarsel!**  
Risiko for knusning og fastklemning.

Læsseren kan falde ned.

Sænk redskabet ned på jorden og luk redskabet, inden smøring påbegyndes.

Figur 223 Smøresteder.



### 47.2. Opbevaring

Påfør et tyndt lag fedt på synlige stempelstænger for at beskytte dem.

## 47.3. Slanger og cylindre

Læs dette, inden hydrauliksystemet kontrolleres for utætheder:



**Advarsel!**

**Olie under tryk.**

Hydraulikolie under højt tryk kan blive sprøjtet ind i kroppen ved utæthed og medføre alvorlige skader, blindhed eller død. Utætheden kan være usynlig.

Brug godkendte beskyttelsesbriller, og beskyt huden med f.eks. kraftige læderhandsker. Brug karton eller træ ved søgning efter utætheder. Hvis der er trængt væske ind i huden, SKAL den fjernes i løbet af et par timer af en læge, der kan behandle denne type skader.



Figur 224 Brug ALDRIG fingre eller hænder ved søgning efter utætheder.

Kontroller slanger og tilslutninger for slid og utætheder med regelmæssige mellemrum. Sørg for, at slangerne har tilstrækkelig bevægelsesfrihed og ikke gnider mod andre komponenter. Udskift beskadigede slanger, og efterspænd alle tilslutninger.

Cylindrene er dobbeltvirkende. De skal altid holdes i god stand for optimal funktion. Utætheder, indre eller ydre, påvirker funktionen og kan være farlige.

Dette redskab kræver et hydrauliksystem, der arbejder med højt tryk. Brug kun reservedele, der er godkendt af fabrikanten.

### 47.3.1. Kontrol af hydrauliktilslutninger

Kontroller, at alle slanger og adaptere er spændt til, og at de ikke lækker.

### 47.3.2. Reparation af hydraulikcylindre

Demontering, reparation og montering af hydraulikcylindre kræver specialværktøj for at forhindre skader på indvendige komponenter. Vi anbefaler, at en cylinder, der skal repareres, sendes til en autoriseret forhandler for afhjælpning.

## 48. DATA

Model	160	200
Vægt, uden kroge	235 kg	260 kg
Cylinder	80 mm / 40 mm	80 mm / 40 mm
Ballestørrelse	120-160 cm	150-200 cm
Ballevægt maks.	1000 kg	1000 kg
Maks. arbejdstryk	200bar / 20MPa *)	

\*) Hvis arbejdstrykket er højere end 200 bar, bør der anvendes trykbegrænsning. Trykbegrænsningssæt kan bestilles som tilbehør.

### 48.1. Tabel over anbefalinger

Læssermodel	Max. last
X21	650 kg
X31, X41	750 kg
X51	800 kg
X26	950 kg
Q21 (+1.1), Q31 (+2.1), Q26 (+1.1P)	1000 kg
Q36 (+2.1P)	1000 kg
X36, Q33 (+2.3)	1000 kg
X46, Q41 (+3.1)	1000 kg
X56, Q51 (+4.1), Q38 (+2.3P), Q46 (+3.1P), Q49 (+3.4P)	1000 kg
Q56 (+4.1P)	1000 kg
Q48 (+3.3P)	1000 kg
Q61 (+5.1), Q58 (+4.3P)	1000 kg
Q66 (+5.1P)	1000 kg
Q68 (+5.3P), Q76 (+6.1P), Q78 (+6.3P), Q88 (+7.3P), Q98 (+8.3P)	1000 kg
Hjullæsser/teleskoplæsser	1000 kg

## 49. GARANTIBESTEMMELSER

ÅLÖ AB forpligter sig til i en periode på 12 (tolv) måneder fra den dag, hvor læsseren / udstyret leveres til køberen, at udskifte eller reparere dele, som p.g.a. fejl i materiale eller fabrikation kræver afhjælpning. Dette under forudsætning af, at fejlen omgående anmeldes til leverandøren, samt at den defekte læssekasse / del stilles til dennes frie disposition.

For dele, der udskiftes, gælder garantien kun i den resterende garantiperiode.

Garantien omfatter ikke fejl, der skyldes ulykker, manglende vedligeholdelse, ændring eller forkert montering fra købers side. Ved garantiudskiftning af dele, der er udsat for særlig stor slitage, skal køber betale godtgørelse for den tid, de er benyttet.

Godtgørelse ydes ikke for personskader, stilstand, følgeskader eller andre tab.

Test eller fejlfinding, der foretages på anmodning fra køber, udføres uden omkostning for køber, hvis der herved konstateres mangler.

I modsat fald debiteres køber samtlige omkostninger.

Midlertidige reparationer eller meromkostninger som følger af, at arbejdet ikke udføres i normal arbejdstid, godtgøres ikke.

## EF-OVERENSSTEMMELSESERKLÆRING

(Direktiv 2006/42/EF, bilag 2A)

ÅLÖ AB

Brännland 300

SE-901 37 Umeå, Sverige

Tlf. +46 (0)90 17 05 00

Erklærer hermed, at:

De redskabsmodeller, der beskrives i denne bog, se forsiden, fra og med produktionsmåned november 2015.

A. er fremstillet i overensstemmelse med RÅDETS DIREKTIV:

- af 17. maj 2006 om indbyrdes tilnærmelse af medlemsstaternes lovgivning om maskiner, 2006/42/EF, under særlig henvisning til direktivets Bilag 1 om væsentlige sikkerheds- og sundhedskrav i forbindelse med konstruktion og fremstilling af maskiner.

B. er fremstillet i overensstemmelse med følgende harmoniserede standarder:

EN ISO 12100:2010, EN ISO 4413:2010, EN 12525:2000+A2 2010.

RISE SMP Svensk Maskinprovning AB, Box 7035, SE-75007 Uppsala, Sverige, har udført frivillig typekontrol for ÅLÖ AB. Certifikatet har nummer: SEC/09/2051 - hydrauliska redskap.

Ansvarlig person for sammenstilling af den tekniske dokumentation i ÅLÖ AB er Anders Lundgren, Executive Vice President R&D. Anders Lundgren, Executive Vice President R&D.



Umeå 2022-09-01

Niklas Åström

Adm. dir.

## UK DECLARATION OF CONFORMITY

(Gælder for det britiske marked)

Address: Manufacturer

ÅLÖ AB

Brännland 300

SE-901 37 Umeå, Sweden

Tel. +46 (0)90 17 05 00

Address: Authorized representative

Alo UK Ltd

Unit 1 Ryelands Business Centre,

Ryelands Lane,

Elmley Lovett,

Droitwich,

Worcestershire

WR9 0PT, UK

Hereby certifies that:

Attachment models described in this document, see front page, from and including manufacturing month November 2015.

- A. manufactured in conformity with the provisions in the Supply of Machinery (Safety) Regulations 2008,
- B. manufactured according to the following designated standards: BS EN ISO 12100:2010, BS EN ISO 4413:2010, BS EN 12525:2000+A2:2010.

RISE SMP Svensk Maskinprovning AB, Box 7035, SE-75007 Uppsala, Sweden, has carried out voluntary type examination for ÅLÖ AB. The certificate has number: SEC/09/2051 – hydraulic implements.

The person authorized to compile technical documentation at ÅLÖ AB is Anders Lundgren, Executive Vice President R&D.



Umeå 2022-09-01

Niklas Åström

President and Chief Executive Officer (CEO)





## 51. TURVALLISUUSOHJEET

### 51.1. Yleistä

Kuljettajan turvallisuus on yksi tärkeimmistä seikoista uuden työvälineen suunnittelussa. Suunnittelijat varustavat kuormaimen mahdollisimman monilla turvatoiminnoilla. Joka vuosi tapahtuu useita onnettomuuksia, jotka olisi voitu välttää muutaman sekunnin harkinnalla ja työvälineen varovaisemmalla käytöllä.

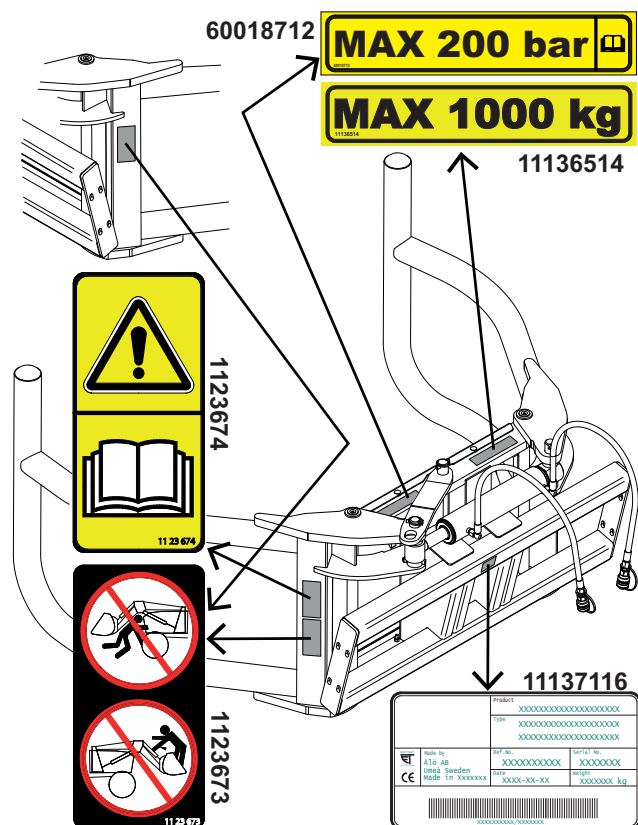
Estä henkilövahingot. Lue seuraavat henkilöturvallisuutta koskevat ohjeet ja vaadi, että sinun kassasi tai palveluksessasi työskentelevät myös noudattavat niitä.

#### 51.1.1. Varoitustarrat

Varoitustarroja on kiinnitetty eri paikkoihin työvälineeseen. Paikanna ja lue tarrat ja selvitä mitä ne merkitsevät, ennen kuin alat käyttää kuormainta ja työvälinettä.

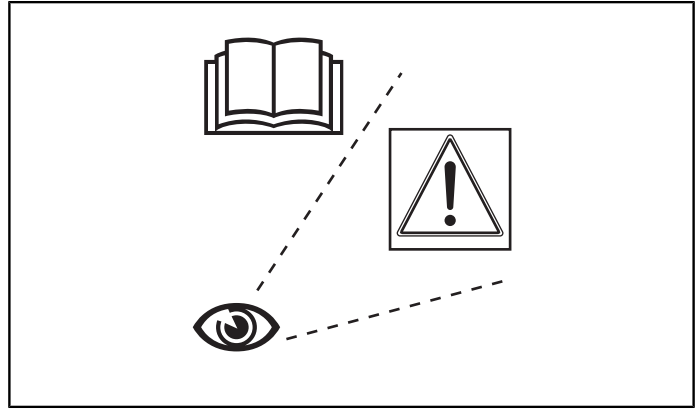
- Älä peitä äläkä poista yhtään varoitustarraa. Jos varoitustarra puuttuu tai sitä ei voi lukea, kiinnitä sen tilalle uusi tarra. Uusia varoitustarroja saa jälleenmyyjältä.

Kuva 228 Varoitustarrojen ja konekilven sijainti.



## 51.2. Varoitustasojen selitys

Tarroissa tai ohjekirjassa olevia turvallisuussymboleja ja määräyksiä TÄYTYY ehdottomasti noudattaa, sillä ne on laadittu oman turvallisuutesi vuoksi.



Kuva 229 Paikanna ja lue tarrat ja noudata niiden ohjeita, ennen kuin alat käyttää kuormainta ja työvälinettä.

### 51.2.1. Symbolien selostus

Turvallisuussymboli. Tämän symbolin yhteydessä olevat tiedot koskevat sinun henkilökohtaista turvallisuuttasi ja niitä on noudatettava.



**Vaara!**

Tarkoittaa välittömästi vaarallisen tilanteen, joka ellei sitä vältetä, johtaa kuolemaan tai vakavaan loukkaantumiseen. (Vain Pohjois-Amerikka)



**Varoitus!**

Ilmoittaa, että onnettomuus voi tapahtua, jos määräystä ei noudateta. Onnettomuus voi johtaa vakavaan henkilövahinkoon tai kuolemaan.



**Noudata varovaisuutta!**

Ilmoittaa, että onnettomuus voi tapahtua, jos määräystä ei noudateta. Onnettomuus voi johtaa henkilövahinkoon.

Seuraavat tekstit ja ohjeet eivät liity henkilöturvallisuuteen, vaan niillä annetaan työvälineen käsittelyä tai huoltoa koskevia lisäohjeita.

**Tärkeää!** Ilmoittaa, että onnettomuus voi tapahtua, jos määräystä ei noudateta. Onnettomuus voi aiheuttaa omaisuus-, prosessi- tai ympäristövahingon.

*Huom.* Sisältää lisätietoa, joka voi helpottaa työvaiheen ymmärtämistä tai suorittamista.

## 51.3. Työnjohto ja käyttäjät

### 51.3.1. Vastuu



**Noudata varovaisuutta!**

Säilytä aina tämä ohjekirja sekä traktorin oma ohjekirja traktorissa.

- Jos traktorissa ei ole ohjekirjaa, hanki sellainen jälleenmyyjältä ennen kuormaimen ja työvälineen asennusta ja käyttöä.
- Lue kaikki ohjeet huolellisesti ja opettele käyttämään laitteita turvallisella ja oikealla tavalla.



Kuva 230 Turvallisuussymboli.

**Varoitus!**  
ÄLÄ käytä kuormainta tai työvälinettä työtasona.

**Varoitus!**  
Käytä työvälinettä vain sille tarkoitetulla käyttöalueella.

**Varoitus!**  
Älä ota työvälineeseen kohdetta, joka siirtää painopistettä merkittävästi ulospäin. Tämä saattaa aiheuttaa epätasapainoa.

**Varoitus!**  
ÄLÄ käytä kuormainta henkilöiden nostamiseen tai kuljettamiseen.

- Vain valtuutetut henkilöt saavat ajaa konetta.

**Varoitus!**  
Tarkasta aina ennen koneen käynnistämistä ja liikkeelle lähtöä koneen ympäristö ja varmista, että kaikki ihmiset, etenkin lapset, ja eläimet ovat siirtyneet pois tieltä.

Et mahdollisesti kuule ulkopuolella olevien henkilöiden varoitushuutoja, kun istut ohjaamossa ja ovi on suljettuna.

**Vaara!**  
Mahdollisesti kuolemaan johtavien ruhjoutumis- ja puristumisvammojen ehkäisemiseksi varmista aina, että kaikki ihmiset ja esineet ovat riittävän etäällä työlaitetta käytettäessä.

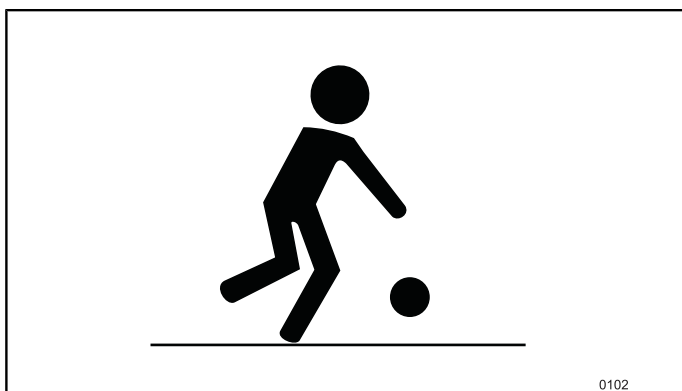
Tutustu työalueeseen ja maastoon. Tarkkaile vapaata kulkukorkeutta ja rajoituksia toimintasäteen laajentuessa.



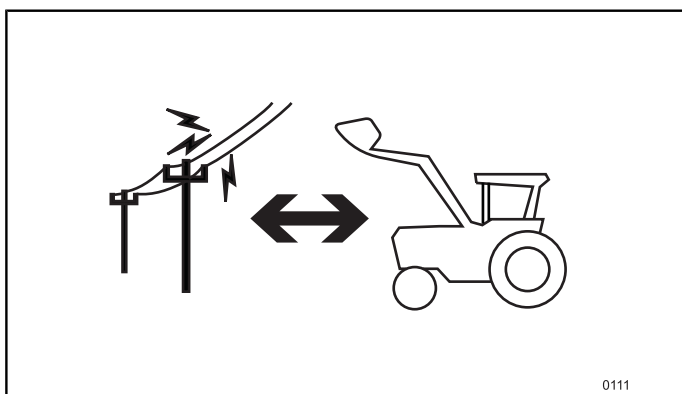
Kuva 231 ÄLÄ käytä kuormainta tai työvälinettä työtasona.



Kuva 232 ÄLÄ käytä kuormainta tai työvälinettä henkilöiden nostamiseen tai kuljettamiseen.



Kuva 233 Varmista aina ennen käynnistystä, että koneen lähellä ei ole ihmisiä.



Kuva 234 Tutustu työalueeseen ennen työn aloittamista. Pidä riittävä etäisyys sähköjohtoihin ja muihin esteisiin.



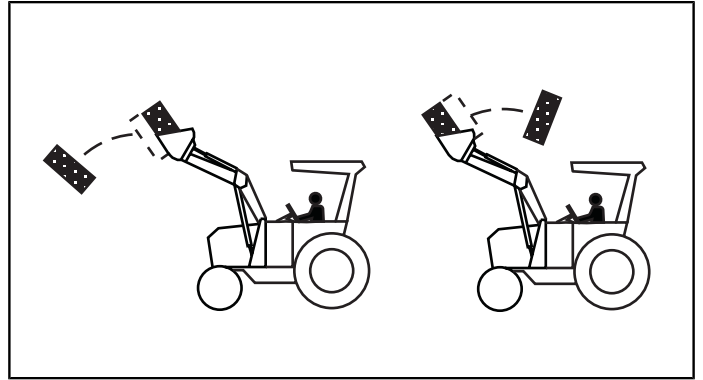
**Varoitus!**

Katso aina työlaitteeseen. Kohde saattaa kaataa traktorin eteenpäin tai se saattaa vieriä nostettaessa taaksepäin kuljettajan päälle. Nosta vain sellaista kohdetta, joka on tarkoitettu nostettavaksi työlaitteella.



**Varoitus!**

Katso aina työlaitteeseen. Kohde saattaa pudota kuljetuksen aikana. Kuljeta vain sellaista kohdetta, joka on tarkoitettu kuljetettavaksi työlaitteella.



Kuva 235 Katso aina työlaitteeseen. Kohde saattaa kaataa traktorin eteenpäin tai se saattaa vieriä nostettaessa taaksepäin kuljettajan päälle.



**Varoitus!**

Älä seiso koskaan traktorin etuosan ja kuormaimen poikkiputken välissä.



**Varoitus!**

Ruhjoutumis- ja puristumisvaara.

Kuormain voi pudota alas.

Laske kuormain/työlaite maahan ennen voitelun aloittamista.



0106

Kuva 236 Älä seiso koskaan traktorin etuosan ja kuormaimen poikkiputken välissä.



**Varoitus!**

Tarkista letkujen asennuksen yhteydessä että niiden pituus on aina riittävä ja että ne eivät missään tilanteessa jää puristuksiin työvälinelevyn, aisaston tai nivellenkkien suhteen. Säädä tarvittaessa.



**Varoitus!**

Paineenalaista öljyä.

Hydrauliöljysuihku voi kohdistua korkealla paineella kehoon vuotokohdasta ja seurauksena voi olla vakavia vammoja, sokeus tai kuolema. Vuoto voi olla näkymätön.

Käytä hyväksytyjä suojalaseja ja suojaa iho esimerkiksi paksuilla nahkahansikkailla. Käytä pahvia tai puuta vuotojen etsinnässä. Jos ihoon on tunkeutunut nestettä, se TÄYTYY poistaa parin tunnin sisällä tämän tyyppisiin vammoihin perehtyneen lääkärin toimesta.



0118a

Kuva 237 ÄLÄ KOSKAAN etsi vuotoja sormien tai käsien avulla.

## 52. KUVAUS

### 52.1. Määritelmät

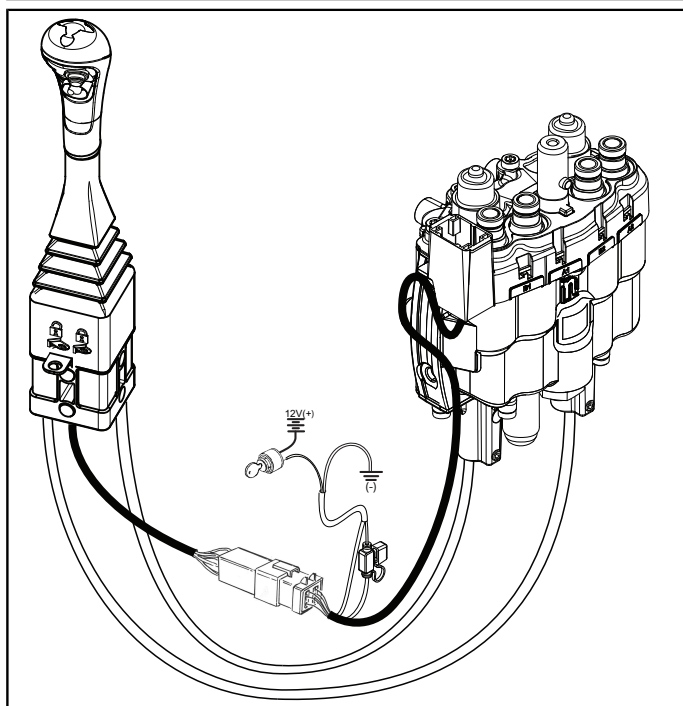
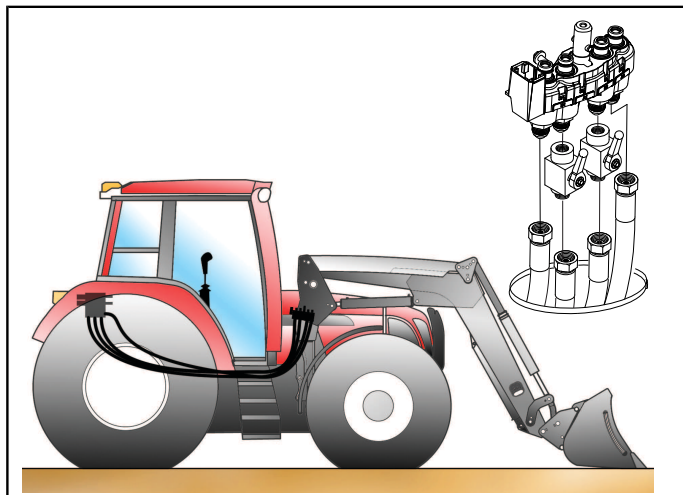
Alla on kuvattu varusteet, joita voi käyttää yhdessä työlaitteen ja etukuormaimen kanssa.

#### 52.1.1. 3. toiminto

Lisähydraulitoiminto varusteen hydrauliiikan ja lukituksen hallintaan.

#### 52.1.2. ErgoDrive / ErgoDrive LCS

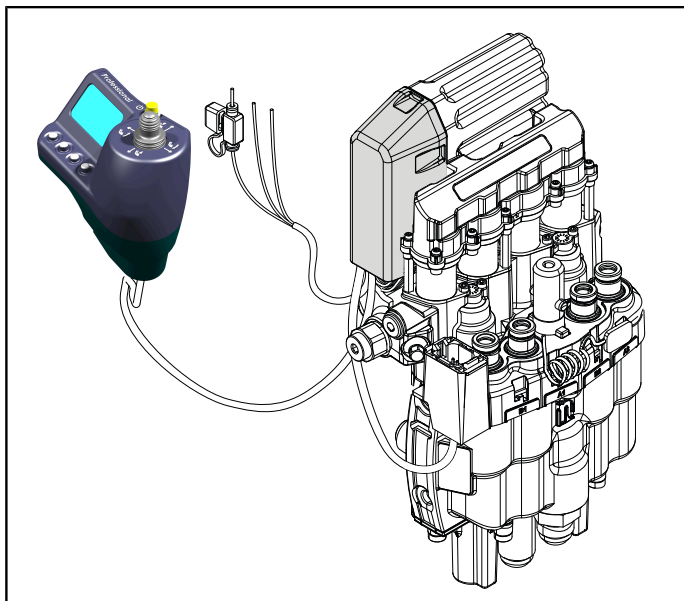
Asennussarja sisältää mekaanisen hallintaventtiilin ja hallintavivuston sekä traktorimallikohtaisen hydrauliliitännän.



Kuva 238 ErgoDrive

### 52.1.3. ElectroDrive CDC / ElectroDrive LCS / EasyDrive LCS

Asennussarja kuten edellä, mutta sähkötoimisella hallintaventtiilillä ja hallintavivustolla.



Kuva 239 ElectroDrive

### 52.1.4. Letkusarja

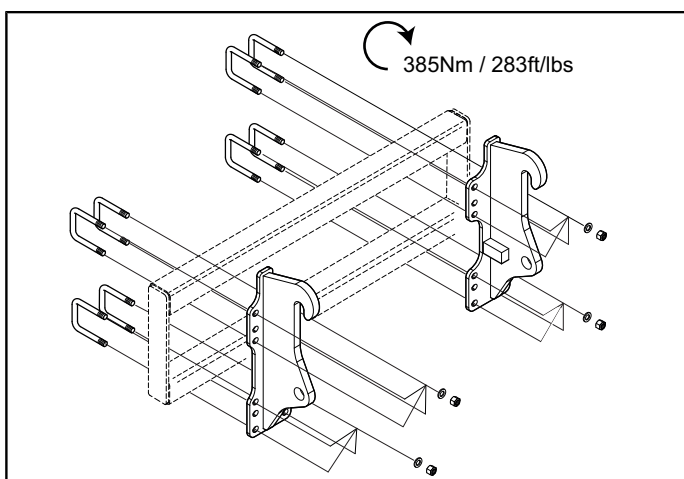
Letkut ja hydraulikomponentit kuormaimen liittämiseksi traktorin alkuperäiseen venttiiliin.

Kuva 240 Letkusarja

## 52.2. Työvälinelevyt

Työlaite voidaan varustaa erityyppisillä työlaitekoukuilla kuormajan/alustakoneen kiinnityksestä riippuen. Koukuilla on erilaisia kiinnitysjärjestelmiä, ne voidaan hitsata ja kiinnittää erilaisilla pulttavilla järjestelmillä. Lisätietoja siitä, mitä työlaitekoukkuja on saatavana, saat Ålö AB:ltä. Varmista, että työlaitekoukku on yhteensopiva kuormajan/alustakoneen kiinnitysjärjestelmän kanssa. **Älä koskaan improvisoi tai tee muutoksia kiinnitykseen!**

Varmista ennen käyttöä, että lukitset työlaitteen oikein kuormajan/alustakoneen ja työkalun kiinnityksen ajantasaisten ohjeiden mukaan.



Kuva 241 Työlaite voidaan varustaa erityyppisillä työlaitekoukuilla.

## 53. KÄYTTÖOHJEET

### 53.0.1. Tarkoitettu käyttö

Työlaite on varustettu kahdella tartuntavarrella, joita käytetään materiaalin kantamiseen. Kuljeta materiaalia niin matalalla kuin mahdollista. Pääasiallinen käyttöalue on seuraavien käsittely:

Laske kuormain mahdollisimman alas ajon ajaksi.

Muista, että mitä korkeammalle kuormain nostetaan sitä korkeammalle painopiste siirtyy, ja tällöin lisääntyy myös traktorin kaatumisen vaara.

### 53.0.2. Asennus

Työlaite toimitetaan osissa.

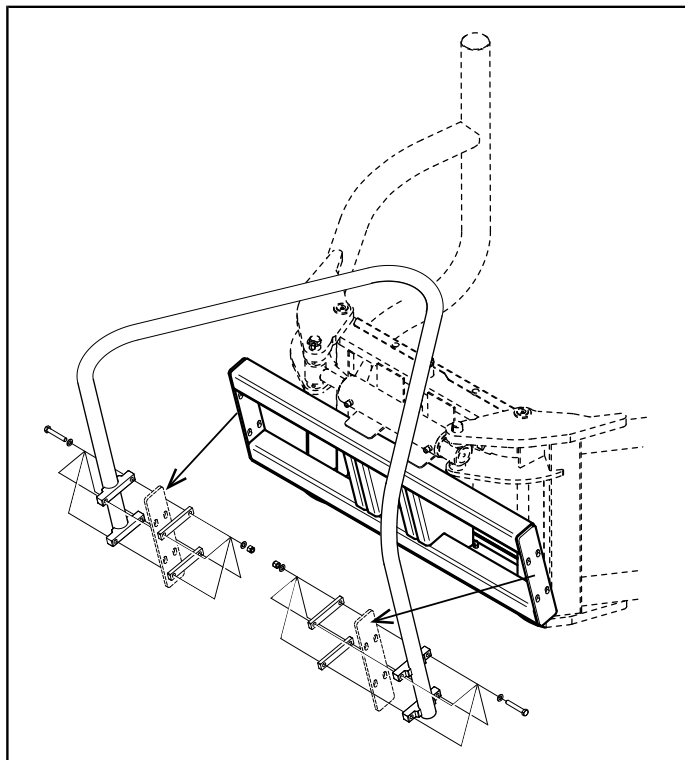
**Sylinterit** toimitetaan pakattuina omaan laatikkoonsa.

Työlaitteen ja koneen väliset kiinnikkeet ja letkut toimitetaan erikseen. Sylinteri (1) kiinnitetään siten, että öljylähdöt ovat taaksepäin. Tapit (2) lukitaan pultein (3) kuvan mukaisesti. Sylinterin laakerointipisteet on rasvattava ennen tappien asennusta.

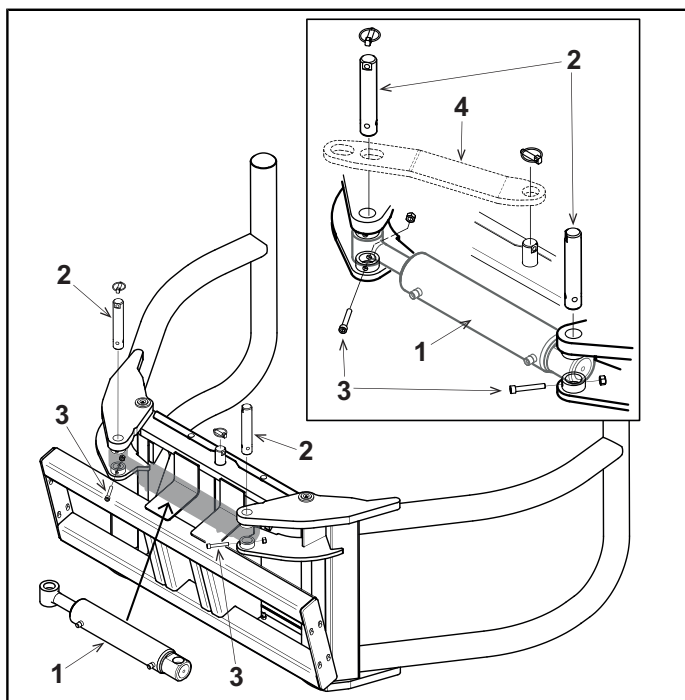
**Rajoitintuki.** Oikean tai vasemman tartuntavarren liikettä voidaan rajoittaa tuella (4). Tuki asennetaan rungon ja runkotapin (2) välille. Tukea käytettäessä paalit voidaan pinota tiiviimmin. Paalin halkaisijan ollessa 120 cm on käytettävä tuen ulompaa reikää (koskee mallia Flexigrip 160).

#### Back Stop

Som en extra säkerhetsåtgärd kan man montera en s.k. Back Stop. Denna hindrar balar från att rulla bakåt över traktorföraren. Den finns att beställa som tillbehör.



Kuva 242 Letkusarjan asennus



Kuva 243 Sylinterin ja tuen asennus

Kuva 244 BackStopin asennus

### Letkusarja

Kytke letkut sylinteriin.

Sylinterin (+) puolelle yhteydessä olevassa letkussa on oltava punainen värimerkintä.

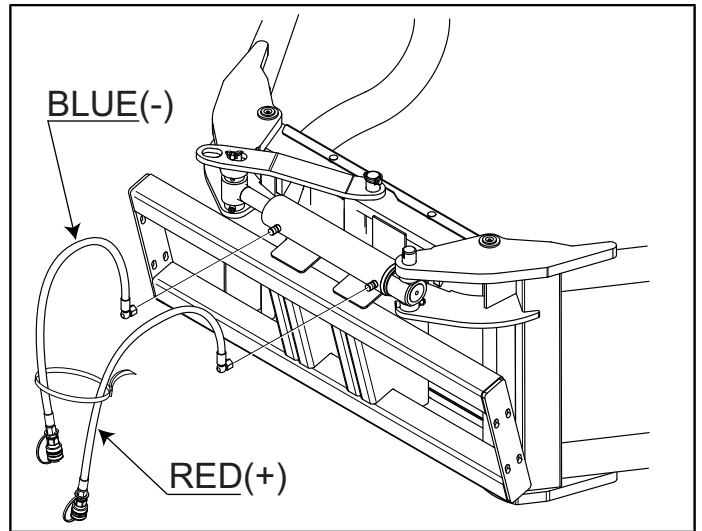
Sylinterin (-) puolelle yhteydessä olevassa letkussa on oltava sininen värimerkintä.

Kuormaimessa on oltava 3. hydraulitoiminto, joka sijaitsee työlaitekiinnikkeen läheisyydessä.

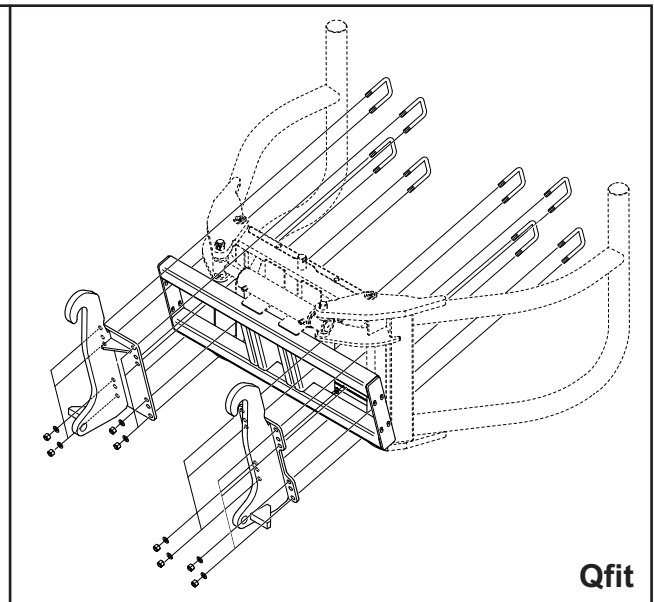
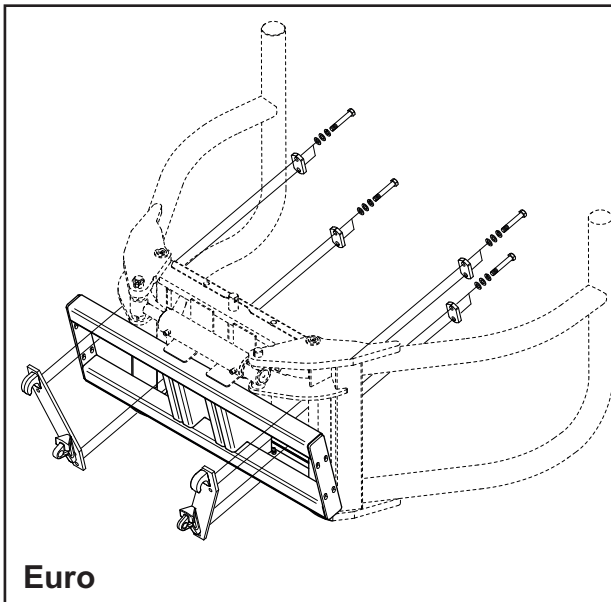


#### Varoitus!

Tarkista letkujen asennuksen yhteydessä että niiden pituus on aina riittävä ja että ne eivät missään tilanteessa jää puristuksiin työvälinelevyn, aisaston tai nivellenkkien suhteen. Säädä tarvittaessa.



**Koukkusarja** tilataan jälleenmyyjältä erikseen. Se asennetaan ohjeen mukaisesti.



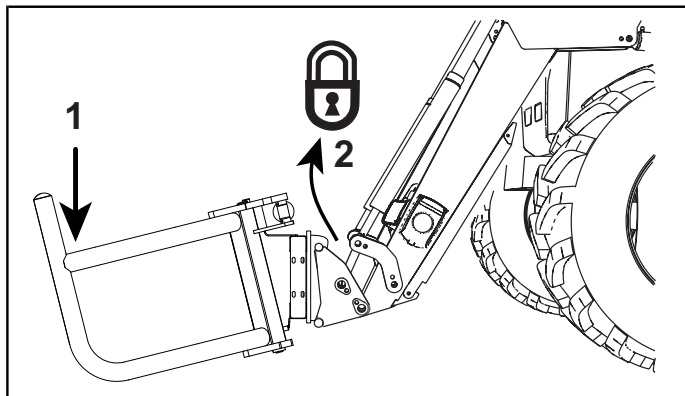
Kuva 245 Esimerkki koukkusarjan asentamisesta



## 53.1. Valmistelut ennen työlaitteen käyttöä

Tarkasta huolellisesti että:

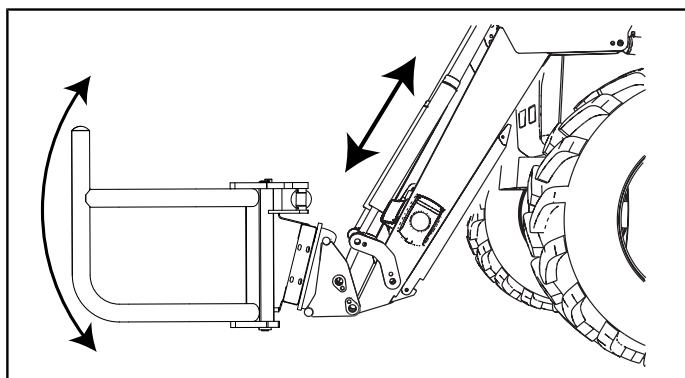
1. Sylinterin (+) puolelle liitetystä letkusta on punainen merkintä ja että työväline liikkuu auki/kiinni kuvauksen mukaan.
2. Mitään hydraulijyvuotoa ei esiinny.
3. Työväline on oikein asennettu työvälinelevyyn ja tapit ovat lukittuina paikoilleen. Paina työvälineen kärki maata vasten (1) nähdäksesi, onko se kunnolla kiinni (2).



Kuva 246 Tarkasta, että työväline on kunnolla kiinni painamalla sen kärki maata vasten.

4. Kuormaimen ja työlaitteen välistä törmäysvaaraa ei ole (katso kuvaa).
5. Voitele vaihde mukaisesti 54. Voitelu ja huolto.

Katso myös Työvälineen kiinnitys ja irrotus kuormaimen ohjekirjasta.



Kuva 247 Tarkista huolellisesti, ettei kuormaimen ja työlaitteen välillä ole törmäysvaaraa.



**Varoitus!**

**ÄLÄ seiso, kulje tai työskentele ylösnostetun kuormaimen alla. Pidä henkilöt, erityisesti lapset, ja eläimet työalueen ulkopuolella.**



0106

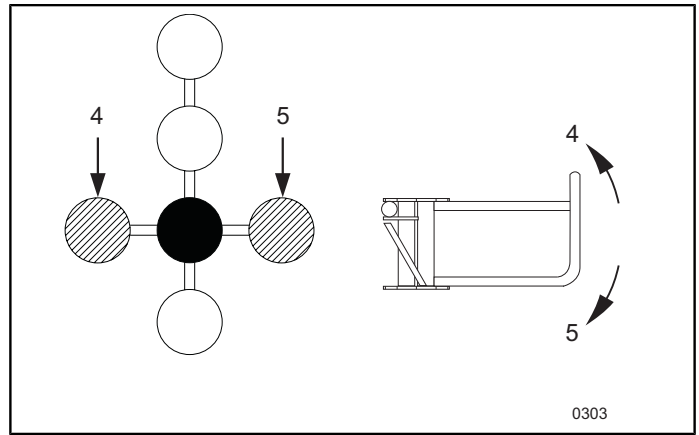
Kuva 248 ÄLÄ seiso, kulje tai työskentele ylösnostetun kuormaimen alla.

### 53.1.1. Varusteen tyhjennys/avaus

Oikeanpuoleinen asennus: Siirrä vipua vasemmalle (4) työvälineen irrottamiseksi.

Siirrä vipua oikealle (5) työvälineen tyhjentämiseksi.

*Huom.* Vasemmanpuoleisessa asennuksessa liikkeet ovat käänteiset (ei koske malleja EasyDrive LCS ja ElectroDrive LCS, jotka ovat saatavissa vain oikealle asennettuina).



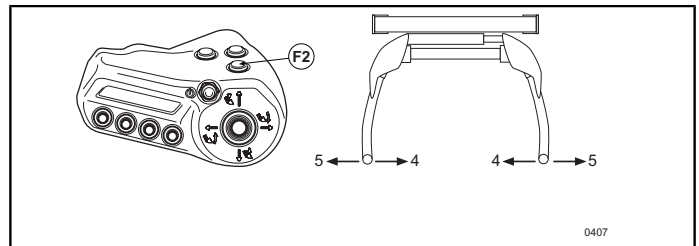
Kuva 249 Varusteen tyhjennys/avaus

### 53.1.2. Avaa/sulje työväline - EasyDrive LCS ja ElectroDrive LCS

Työväline avataan ja suljetaan kolmannen hydraulitoiminnon avulla, jota ohjataan kytkimellä P2.

Siirrettäessä vipua oikealle (5) työväline avautuu ja siirrettäessä vipua vasemmalle (4) työväline sulkeutuu (oikeanpuoleinen asennus).

*Huom.* Kun kolmannen hydraulitoiminnon kytkin vapautetaan, säädin palautuu välittömästi tyhjennys-/irrotustoimintoon.



Kuva 250 Avaa/sulje työväline - EasyDrive LCS ja ElectroDrive LCS

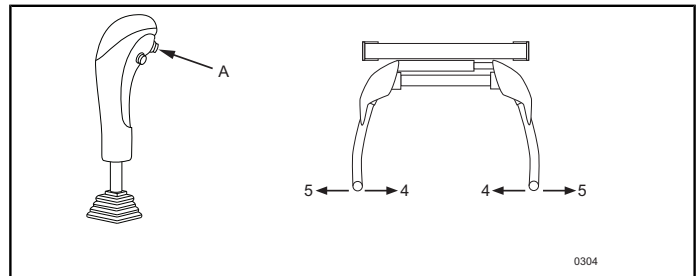
### 53.1.3. Avaa/sulje työväline - ErgoDrive LCS/ErgoDrive

Työvälineen avaamiseen ja sulkemiseen käytetään kolmatta hydraulitoimintoa, jota ohjataan ohjaussauvan säätimen etupuolella olevalla kytkimellä (A).

Siirrettäessä vipua oikealle (5) työväline avautuu ja siirrettäessä vipua vasemmalle (4) työväline sulkeutuu (oikeanpuoleinen asennus).

Vasemmanpuoleisessa asennuksessa liikkeet ovat päinvastaiset.

*Huom.* Kun kolmannen hydraulitoiminnon kytkin vapautetaan, säädin palautuu välittömästi tyhjennys-/irrotustoimintoon.



Kuva 251 Avaa/sulje työväline - ErgoDrive LCS/ErgoDrive

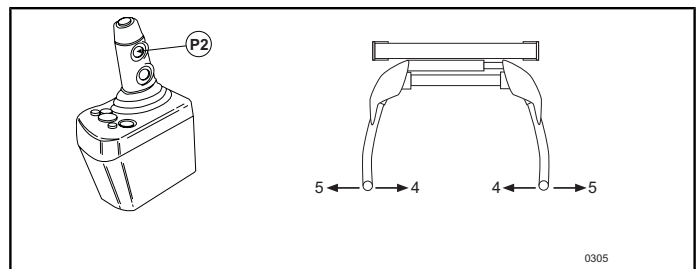
### 53.1.4. Työvälineen avaaminen/sulkeminen - ElectroDrive CDC

Työväline avataan ja suljetaan kolmannen hydraulitoiminnon avulla, jota ohjataan kytkimellä P2.

Siirrettäessä vipua oikealle (5) työväline avautuu ja siirrettäessä vipua vasemmalle (4) työväline sulkeutuu (oikeanpuoleinen asennus).

Vasemmanpuoleisessa asennuksessa liikkeet ovat päinvastaiset.

Kun kolmannen hydraulitoiminnon kytkin vapautetaan, säädin palautuu välittömästi tyhjennys-/irrotustoimintoon.



Kuva 252 Työvälineen avaaminen/sulkeminen - ElectroDrive CDC

### 53.1.5. Työvälineen avaaminen/ sulkeminen - Letkuserja

Letkuserja - traktorin ohjaussauva, katso traktorin ohjekirjaa.

### 53.1.6. Käyttöohje

Tartuntavarsien yläreunan on oltava paalin yläreunan tasolla, jotta estetään muovin vaurioituminen. Kuljeta paalia aina vaakatasossa ja käännä se takaisin pystyyn vasta lastaus-/varastointipaikalla.

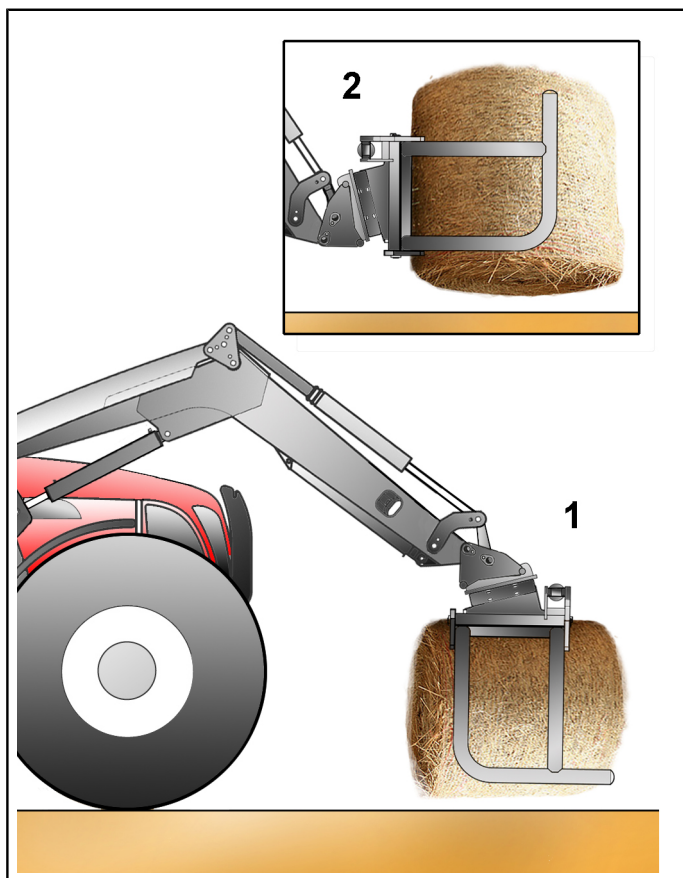
*Huom.* Paalin kääntöliike tehtävä aina niin alhaalla kuin se on mahdollista.



#### Varoitus!

**Jos kuljetusmatka on pitkä, puristusvoima saattaa heikentyä esim. kuormaimen hallintaventtiilin sisäinen öljyvuodon vuoksi, jolloin paali saattaa huonoimmassa tapauksessa pudota.**

Jotta estetään paalien putoaminen sisäisen öljyvuodon vuoksi, ajoneuvo voidaan pysäyttää ja tiukentaa puristusvoimaa paalista tasaisin väliajoin tai varustaa työlaite kuormanpitoventtiilillä (lisävaruste).



Kuva 253 Kuljeta paalia aina vaakatasossa ja matalalla (1) – käännä se takaisin pystyyn vasta lastaus-/varastointipaikalla (2).

### 53.1.7. Irrottaminen

Älä irrota letkuja työlaitteesta sylinterin ollessa pääteasennossa – muuten voi syntyä vaikeuksia, esim. ylipainetta, kun pikaliittimet seuraavan kerran kytketään.

Katso myös Työvälineen kiinnitys ja irrotus kuormaimen ohjekirjasta.

## 54. VOITELU JA HUOLTO



**Varoitus!**

Älä seiso koskaan traktorin etuosan ja kuormaimen poikkiputken välissä.



*Kuva 254 Älä seiso koskaan traktorin etuosan ja kuormaimen poikkiputken välissä.*

### 54.1. Voitelukohtat

Kaikissa laakeroinneissa on puslat, joita tarvitsee normaaliolosuhteissa rasvata kerran kuukaudessa.



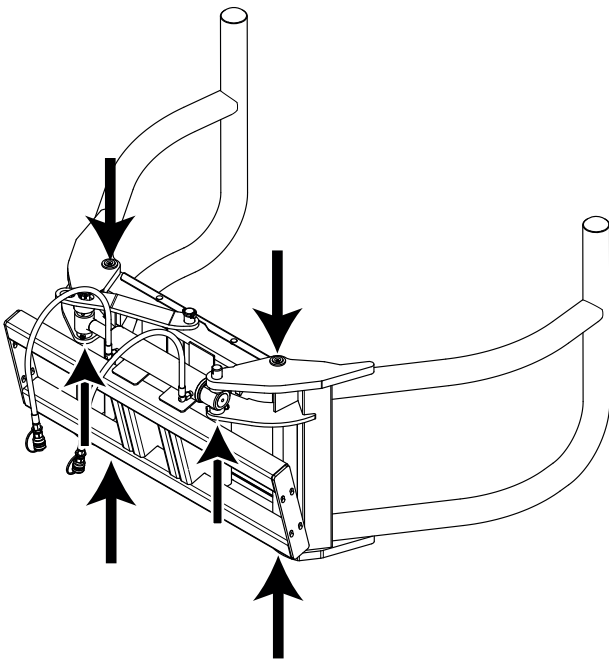
**Varoitus!**

**Ruhjoutumis- ja puristumisvaara.**

**Kuormain voi pudota alas.**

**Laske työkone maahan ja sulje työväline ennen voitelun aloittamista.**

*Kuva 255 Voitelukohtat.*



### 54.2. Säilytys

Laita ohut kerros rasvaa näkyvissä oleviin männäntankoihin niiden suojaamiseksi.

### 54.3. Letkut ja sylinterit

Lue tämä ennen kuin tarkastat, onko hydraulijärjestelmässä vuotoa:



#### Varoitus!

**Paineenalaista öljyä.**

Hydrauliöljysuihku voi kohdistua korkealla paineella kehoon vuotokohdasta ja seurauksena voi olla vakavia vammoja, sokeus tai kuolema. Vuoto voi olla näkymätön.

Käytä hyväksytyjä suojalaseja ja suojaa iho esimerkiksi paksuilla nahkahansikkailla. Käytä pahvia tai puuta vuotojen etsinnässä. Jos ihoon on tunkeutunut nestettä, se **TÄYTYY** poistaa parin tunnin sisällä tämän tyyppisiin vammoihin perehtyneen lääkärin toimesta.



0118a

Kuva 256 **ÄLÄ KOSKAAN** etsi vuotoja sormien tai käsien avulla.

Tarkasta letkut ja liitännät säännöllisin välein kuluneisuuden ja vuotojen varalta. Varmista, että letkuilla on riittävästi liikkumavaraa ja että ne eivät hankaudu muihin osiin. Vaihda vaurioituneet letkut ja kiristä kaikki liitännät.

Sylinterit ovat kaksitoimisia. Ne on pidettävä aina hyvässä kunnossa optimaalisen toiminnan varmistamiseksi. Vuodot, sisäiset tai ulkoiset, vaikuttavat suorituskykyyn ja voivat aiheuttaa vaaraa.

Tämä työkalu vaatii korkealla paineella toimivan hydraulijärjestelmän. Käytä vain valmistajan hyväksymiä varaosia.

#### 54.3.1. Hydrauliliitäntöjen tarkastus

Tarkasta, että letkut ja sovittimet on kiristetty ja että ne eivät vuoda.

#### 54.3.2. Hydraulisynterien korjaus

Hydraulisynterien irrotuksessa, korjauksessa ja asennuksessa on käytettävä erikoistyökaluja sisäisten komponenttien vaurioiden estämiseksi. Suosittelemme, että korjausta tarvitseva sylinteri lähetetään valtuutetulle jälleenmyyjälle korjattavaksi.

## 55. TIEDOT

Malli	160	200
Paino, ilman koukkuja	235 kg	260 kg
Sylinteri	80 mm / 40 mm	80 mm / 40 mm
Paalin koko	120-160 cm	150-200 cm
Paalin enimmäispaino	1000 kg	1000 kg
Maks. työpaine	200bar / 20MPa *)	

\*) Jos työpaine ylittää 200 baaria, on käytettävä paineenrajoitusta. Paineenrajoitussarjan voi tilata lisävarusteena.

### 55.1. Suositustaulukko

Kuormainmalli	Suurin kuorma
X21	650 kg
X31, X41	750 kg
X51	800 kg
X26	950 kg
Q21 (+1.1), Q31 (+2.1), Q26 (+1.1P)	1000 kg
Q36 (+2.1P)	1000 kg
X36, Q33 (+2.3)	1000 kg
X46, Q41 (+3.1)	1000 kg
X56, Q51 (+4.1), Q38 (+2.3P), Q46 (+3.1P), Q49 (+3.4P)	1000 kg
Q56 (+4.1P)	1000 kg
Q48 (+3.3P)	1000 kg
Q61 (+5.1), Q58 (+4.3P)	1000 kg
Q66 (+5.1P)	1000 kg
Q68 (+5.3P), Q76 (+6.1P), Q78 (+6.3P), Q88 (+7.3P), Q98 (+8.3P)	1000 kg
Pyöräkuormain/teleskooppikuormain	1000 kg

## 56. TAKUUMÄÄRÄYKSET

ÅLÖ AB sitoutuu 12 (kahdentoista) kuukauden ajan kuormaimen/varustuksen toimittamisesta ostajalle vaihtamaan tai korjaamaan osat, jotka aine- tai valmistusvian johdosta vaativat korjausta. Edellytyksenä on, että viasta ilmoitetaan toimittajalle välittömästi, sekä että viallinen kuormain/osa luovutetaan tämän käyttöön vapaasti.

Takuu kattaa vaihdetut osat vain jäljellä olevan takuuajan.

Takuu ei kata ostajasta johtuvia onnettomuudesta, puutteellisesta huollosta, muutoksesta tai virheellisestä asennuksesta aiheutuneita vikoja. Erityisen suurelle kulumiselle alttiina olleiden, takuuna vaihdettavien osien kohdalla ostaja vastaa kustannuksista niiden käyttöajan osalta

Henkilövahingot, seisonta-aika, seurannaisvahingot tai muut tappiot eivät sisälly korvaukseen.

Ostajan pyynnöstä tehty testi tai vianetsintä ei aiheuta kustannuksia ostajalle, jos siinä todetaan puutteellisuksia.

Muussa tapauksessa ostajaa veloitetaan kaikista kustannuksista.

Tilapäisiä korjauksia tai työajan ulkopuolella tehdyn työn aiheuttamia lisäkustannuksia ei korvata.

## EY-VAATIMUSTENMUKAISUUSVAKUUTUS

(direktiivi 2006/42/EY, liite 2A)

ÅLÖ AB

Brännland 300

SE-901 37 Umeå, Sverige

Puh. +46 (0)90 17 05 00

Täten vakuutetaan, että

Tässä kirjassa kuvatut työvälinemallit, katso etusivu, alkaen valmistuskuukauden marraskuun 2015 alusta.

A. ovat yhdenmukaisia seuraavien NEUVOSTON DIREKTIIVIEN kanssa:

- 17. toukokuuta 2006 annettu koneita koskeva direktiivi jäsenvaltioiden lainsäädännön lähentämisestä 2006/42/EY, viitaten erityisesti direktiivin Liitteeseen 1 koskien olennaisia terveys- ja turvallisuusvaatimuksia koneiden suunnittelussa ja valmistuksessa.

B. on valmistettu seuraavien yhdenmukaistettujen standardien mukaisesti:

EN ISO 12100:2010, EN ISO 4413:2010, EN 12525:2000+A2 2010.

RISE SMP Svensk Maskinprovning AB, Box 7035, SE-75007 Uppsala, Ruotsi, on suorittanut vapaaehtoisen tyypitarkastuksen, ÅLÖ AB sertifiikaatin numero on: SEC/09/2051 – hydrauliset työkalut.

Teknisestä dokumentaatiosta vastaava henkilö ÅLÖ AB:ssä on Anders Lundgren, Executive Vice President R&D.



Umeå 2022-09-01

Niklas Åström

Toimitusjohtaja

## UK DECLARATION OF CONFORMITY

(Koskee Ison-Britannian markkinoita)

Address: Manufacturer	Address: Authorized representative
ÅLÖ AB	Alo UK Ltd
Brännland 300	Unit 1 Ryelands Business Centre,
SE-901 37 Umeå, Sweden	Ryelands Lane,
Tel. +46 (0)90 17 05 00	Elmley Lovett,
	Droitwich,
	Worcestershire
	WR9 0PT, UK

Hereby certifies that:

Attachment models described in this document, see front page, from and including manufacturing month November 2015.

- A. manufactured in conformity with the provisions in the Supply of Machinery (Safety) Regulations 2008,
- B. manufactured according to the following designated standards: BS EN ISO 12100:2010, BS EN ISO 4413:2010, BS EN 12525:2000+A2:2010.

RISE SMP Svensk Maskinprovning AB, Box 7035, SE-75007 Uppsala, Sweden, has carried out voluntary type examination for ÅLÖ AB. The certificate has number: SEC/09/2051 – hydraulic implements.

The person authorized to compile technical documentation at ÅLÖ AB is Anders Lundgren, Executive Vice President R&D.



Umeå 2022-09-01

Niklas Åström

President and Chief Executive Officer (CEO)





## 58. SIKKERHETSINSTRUKSJONER

### 58.1. Generell informasjon

Førerens sikkerhet er et av de viktigste punktene ved konstruksjon av et nytt redskap. Konstruktørene bygger inn så mange sikkerhetsfunksjoner som mulig. Hvert år skjer det flere ulykker som kan unngås med noen sekunders ettertanke samt forsiktigere manøvrering av redskapet.

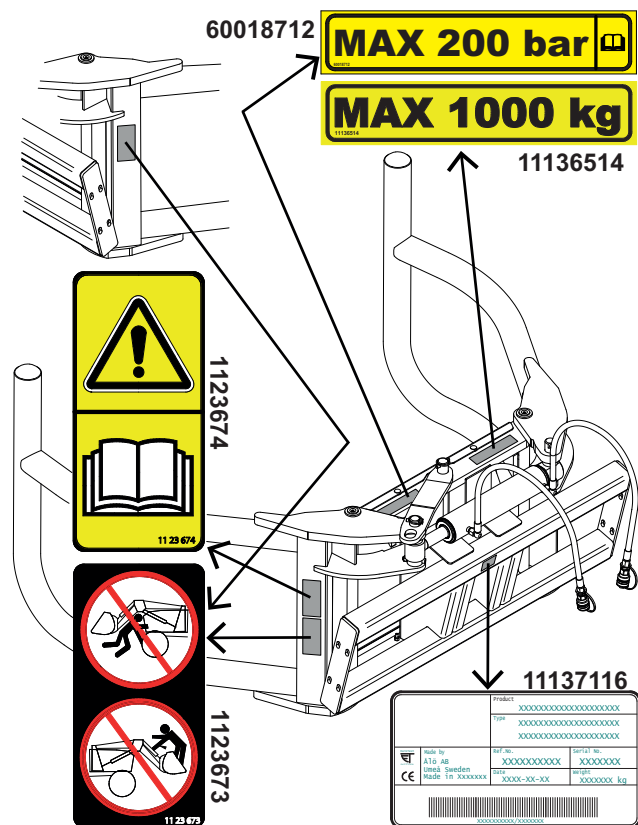
Unngå personskader. Les følgende instruksjoner for personsikkerhet og insister på at personer som arbeider med eller for deg, også følger instruksjonene.

#### 58.1.1. Varselskilt

Varselskilt er montert på forskjellige steder på redskapet. Lokaliser, les og finn ut hva skiltene betyr før laster og redskap tas i bruk.

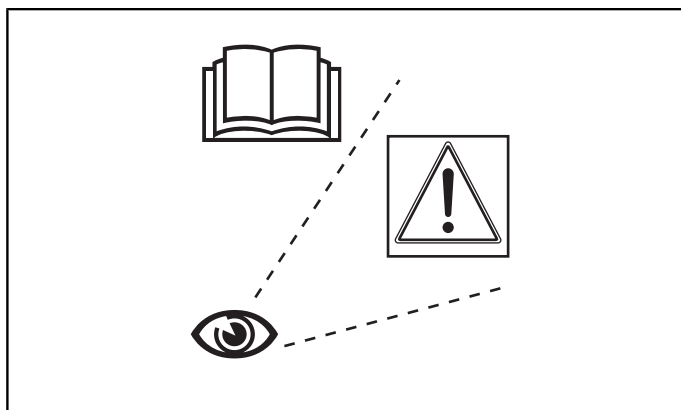
- Ikke dekk til eller fjern noen av varselskiltene. Hvis et varselskilt mangler eller er uleselig, må det erstattes med et nytt skilt. Du får nye varselskilt hos din forhandler.

Figur 260 Plassering av varselskilt og maskinskilt.



## 58.2. Forklaring av farenivåer

Når du ser sikkerhetssymboler og signalord, på varselskilt eller i instruksjonsboken, MÅ instruksjonene følges ettersom de er forbundet med din egen personlige sikkerhet.



Figur 261 Lokaliser, les og finn ut hva skiltene betyr før lasteren og redskapet tas i bruk.

### 58.2.1. Symbolforklaring

Sikkerhetssymbol. Informasjon i forbindelse med dette symbolet gjelder din personlige sikkerhet, og må følges.



**Fare!**

Betyr en øyeblikkelig farlig situasjon som, hvis den ikke unngås, vil føre til død eller alvorlig personskade. (Nord-Amerika)



**Advarsel!**

Angir at det kan komme til å inntreffe en ulykke hvis forskriften ikke følges. Ulykken kan føre til alvorlig personskade eller dødsfall.



**Forsiktig!**

Angir at det kan komme til å inntreffe en ulykke hvis forskriften ikke følges. Ulykken kan føre til personskade.

Følgende tekst og instruksjoner gjelder ikke personsikkerhet, men brukes gjennomgående i instruksjonsboken for å gi ytterligere tips i forbindelse med bruk av eller service av redskapet.

**Viktig!** Angir at det kan komme til å inntreffe en ulykke hvis forskriften ikke følges. Ulykken kan føre til skade på eiendeler, utstyr eller omgivelser.

*Merk:* Angir ekstra informasjon som kan gjøre det enklere å forstå eller gjennomføre et bestemt moment.

## 58.3. Arbeidsledelse og brukere

### 58.3.1. Ansvar



**Forsiktig!**

Oppbevar alltid denne instruksjonsboken og traktorens egen instruksjonsbok i traktoren.

- Dersom det ikke finnes noen instruksjonsbok for traktoren, må det anskaffes en slik fra forhandleren før du monterer og benytter lasteren og redskapet.
- Les nøye gjennom alt materiell og lær deg å bruke utstyret på sikker og riktig måte.



Figur 262 Sikkerhetssymbol.

**Advarsel!**  
**IKKE bruk lasteren eller redskapet som arbeidsplattform.**

**Advarsel!**  
**Bruk redskapet kun for tiltenkt bruksområde.**

**Advarsel!**  
**Ikke grip objekter som vesentlig forskyver tyngdepunktet utover. Kan føre til ustabilitet.**

**Advarsel!**  
**IKKE bruk lasteren til å løfte eller transportere personer.**

- La kun kvalifiserte personer kjøre maskinen.

**Advarsel!**  
**Kontroller alltid omgivelsene rundt maskinen og sørg for at alle mennesker, framfor alt barn, og dyr har flyttet seg før maskinen startes eller kjøres av gårde.**

Du kan ikke høre varselrop fra personer utenfor når du sitter inne i førerhuset med lukket dør.

**Fare!**  
**Ta hensyn til følgende for å unngå alvorlige klem- og knuseskader som kan sette liv og helse på spill: Sørg for at enkeltpersoner og gjenstander holder god avstand mens redskapet brukes.**

Gjør deg kjent med arbeidsområdet og terrenget. Vær oppmerksom på fri høyde og begrensninger som oppstår av den økte rekkevidden.



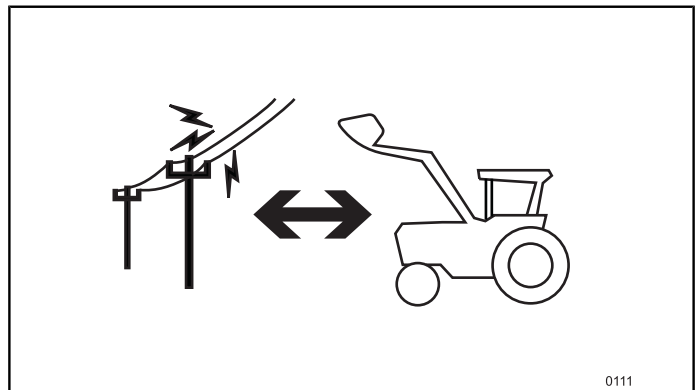
Figur 263 IKKE bruk lasteren eller redskapet som arbeidsplattform.



Figur 264 IKKE bruk lasteren eller redskapet til å løfte eller transportere personer.



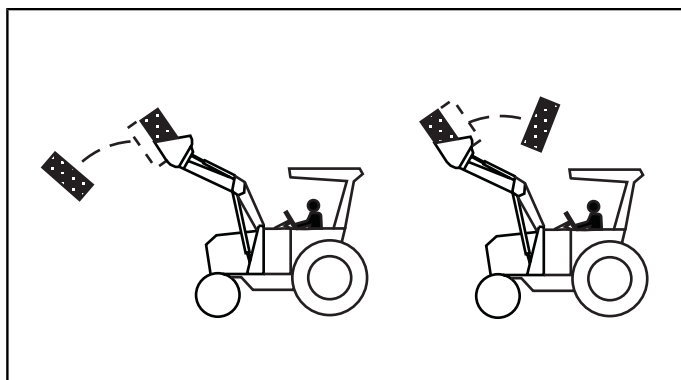
Figur 265 Før start må du forvise deg om at ingen personer befinner seg i nærheten av maskinen.



Figur 266 Gjør deg kjent med arbeidsområdet før start. Hold avstand til elektriske ledninger og andre hindringer.

**!** **Advarsel!**  
Hold alltid øye med redskapet. Gjenstander kan falle foran traktoren eller rulle bakover på føreren når lasteren heves. Løft kun gjenstander som redskapet er beregnet for.

**!** **Advarsel!**  
Hold alltid øye med redskapet. Gjenstander kan falle ut under transport. Transporter kun gjenstander som redskapet er beregnet for.



Figur 267 Hold alltid øye med redskapet. Gjenstander kan falle foran traktoren eller rulle bakover på føreren når lasteren heves.

**!** **Advarsel!**  
Stå aldri mellom traktorens front og lasterens tverrør.

**!** **Advarsel!**  
Knuse- og klemfare.  
Lasteren kan falle ned.  
Senk lasteren/redskapet til bakken før du begynner smøringen.

**!** **Advarsel!**  
Kontroller ved montering av slangene at slangelengden er lang nok og at de ikke kommer i klem mellom redskapsfeste, lasterarm eller overføringer – juster ev. koblingene.

**!** **Advarsel!**  
Trykksatt olje.  
Hydraulikkolje med høyt trykk kan sprøytes inn i kroppen ved lekkasje og forårsake alvorlige skader, blindhet eller dødsfall. Lekkasjen kan være usynlig.  
Benytt godkjente vernebriller, og beskytt huden med f.eks. kraftige skinnhansker. Benytt papp eller tre ved søking etter lekkasjer. Hvis det har trengt inn væske i huden, MÅ den fjernes i løpet av et par timer av lege som kan behandle denne typen skader.



Figur 268 Stå aldri mellom traktorens front og lasterens tverrør.



Figur 269 Benytt ALDRI fingre eller hender ved lekkasjesøking.

## 59. BESKRIVELSE

### 59.1. Definisjoner

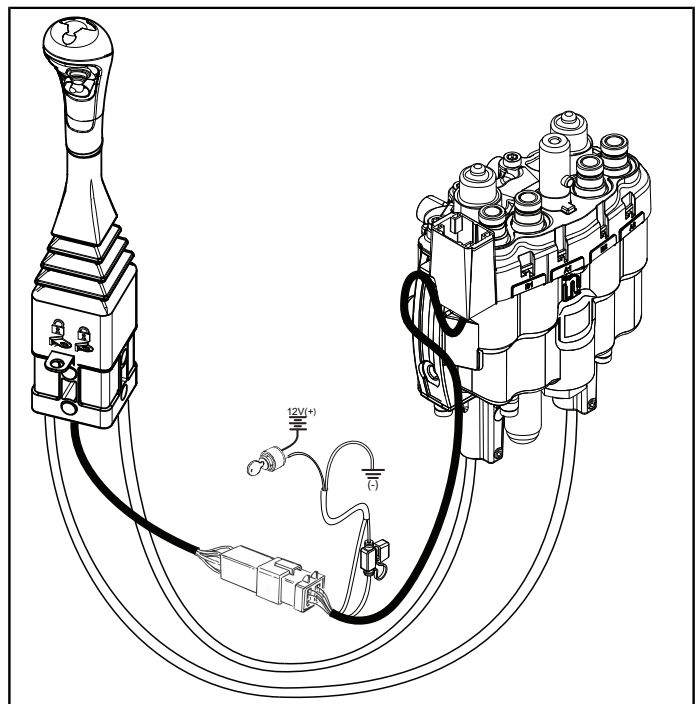
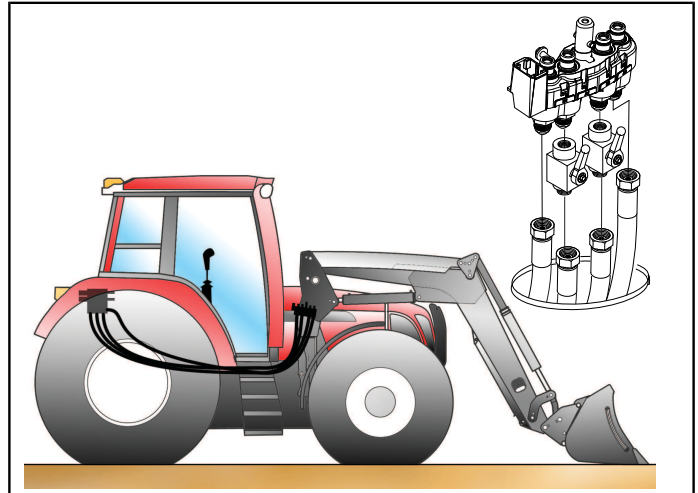
Nedenfor finner du beskrivelser på forskjellig tilbehør som kan brukes sammen med redskaper og frontlastere.

#### 59.1.1. 3. funksjon

Ekstra hydraulikkfunksjon for betjening av redskapets hydraulikk og redskapslås.

#### 59.1.2. ErgoDrive / ErgoDrive LCS

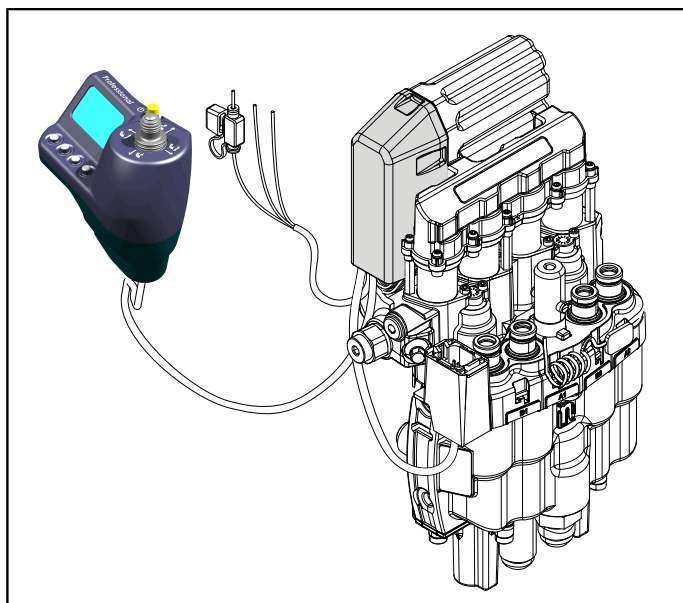
Monteringssettet inneholder en mekanisk manøvrerventil og mekanisk manøvrercontroller samt hydraulikktilkobling for angitt traktormodell.



Figur 270 ErgoDrive

### 59.1.3. ElectroDrive CDC / ElectroDrive LCS / EasyDrive LCS

Monteringssett som ovanfor, men med elektrisk manøverventil og elektrisk manøverkontroller.



Figur 271 ElectroDrive

### 59.1.4. Slangesett

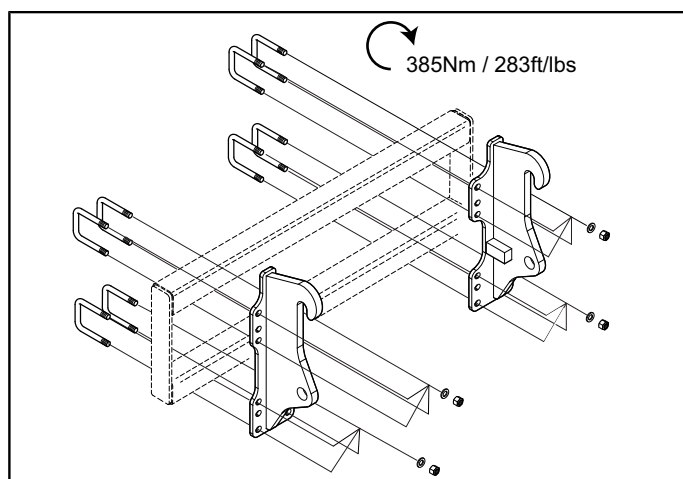
Slanger og hydraulikkomponenter for tilkobling av lasteren til traktorens originalventil.

Figur 272 Slangesett

## 59.2. Redskapsfester

Redskapet kan utstyres med ulike typer redskapskroker, avhengig av lasterens/basismaskinens innfesting. Det finnes ulike festesystemer for krokene; sveisede eller ulike boltede systemer. Hvis du ønsker informasjon om hvilke redskapskroker som er tilgjengelige, kan du kontakte Ålö AB. Forviss deg om at redskapskroken er kompatibel med lasterens/basismaskinens innfestingssystem. **Du må aldri improvisere eller gjøre tilpasninger!**

Sørg for at redskapene låses riktig i henhold til instruksjonene for lasteren/basismaskinen og redskapsfestet før bruk.



Figur 273 Redskapet kan utstyres med ulike typer redskapskroker.

## 60. KJØREINSTRUKSJONER

### 60.0.1. Tiltent bruk

Redskapet er utstyrt med to gripearmer som brukes til å bære materialet. Transporter materialet så lavt som mulig. Det viktigste bruksområdet er håndtering av:

Senk lasteren så lavt som mulig under kjøringen. Husk at jo høyere lasteren er løftet, desto høyere ligger tyngdepunktet, og dermed er faren for at traktoren skal velte også større.

### 60.0.2. Montering

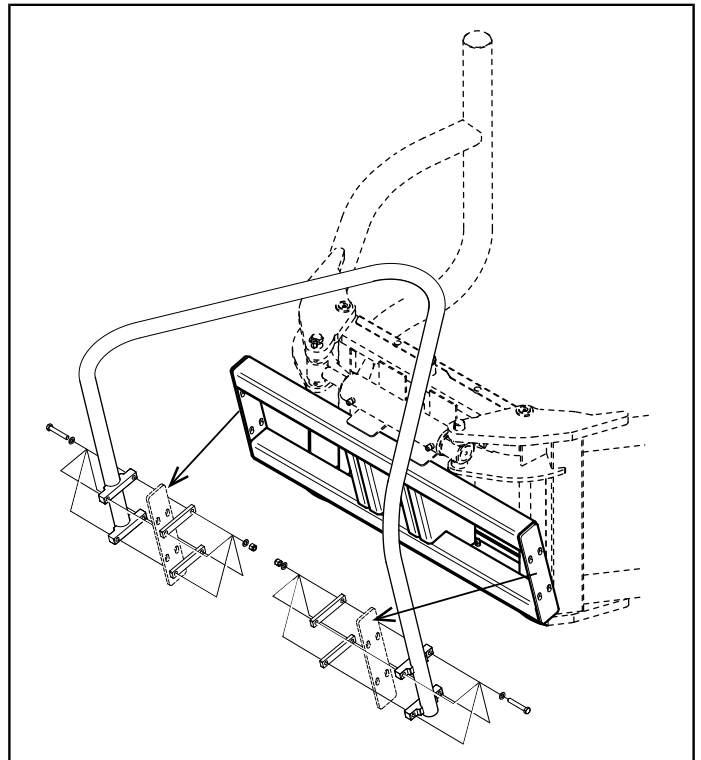
Redskapet leveres delmontert.

**Sylinderen** leveres i medfølgende tilbehørseske. Innfestinger og slanger mellom redskap og maskin leveres i separate sett. Sylinderen (1) monteres med oljetilkoblingene bakover. Tappene (2) låses med skruer (3) iht. bilde. Sylinderens lagre innfettes før tappene monteres.

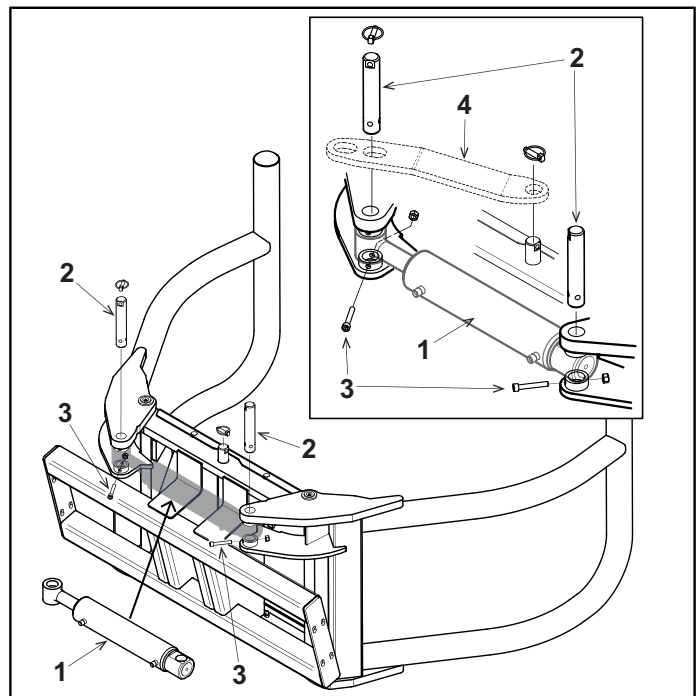
**Begrensningsstag.** Bevegelsen til den høyre eller venstre gripearmen kan begrenses ved hjelp av staget (4). Staget monteres mellom ramme og tapp (2). Med staget montert kan ballene stables tettere inntil hverandre. Ved håndtering av baller med diameter 120 cm skal det ytre av stagets to hull brukes (gjelder Flexigrip 160).

#### Back Stop

Som en extra sikkerhetsåtgärd kan man montera en s.k. Back Stop. Denna hindrar balar från att rulla bakåt över traktorföraren. Den finns att beställa som tillbehör.



Figur 274 Montering av slangesett



Figur 275 Montering av sylinder og låsestag

Figur 276 Montering av BackStop



## Slangesett

Koble slangene til sylindren.

Slangen som står i forbindelse med sylindrens (+)-side, skal ha rød fargemerking.

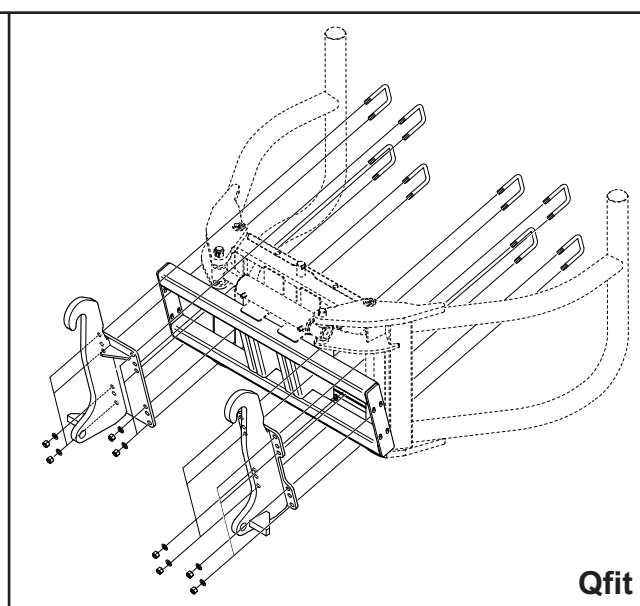
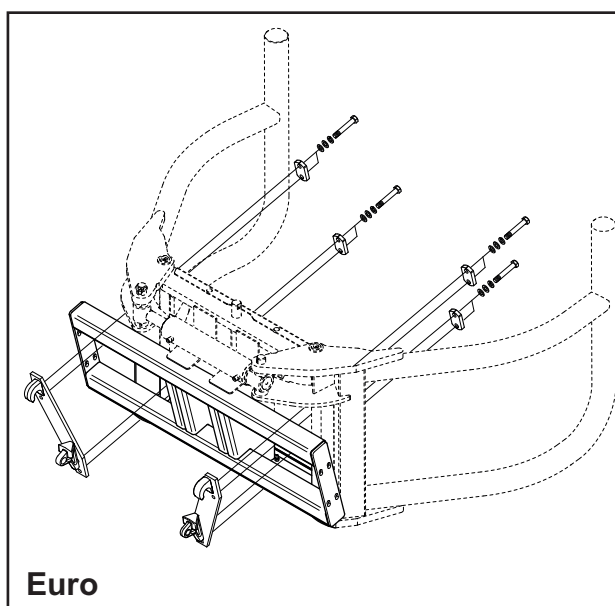
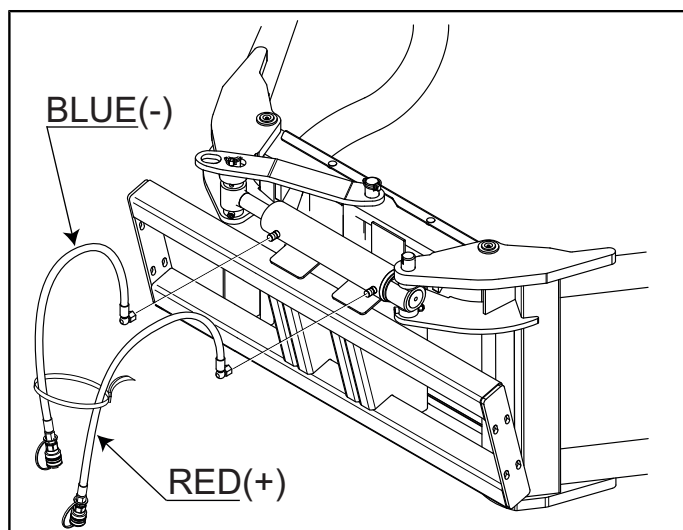
Slangen som står i forbindelse med sylindrens (-)-side, skal ha blå fargemerking.

Lasteren skal være utstyrt med et dobbeltvirkende oljeuttak på redskapsfestet.

**Advarsel!**

**Kontroller ved montering av slangene at slangelengden er lang nok og at de ikke kommer i klem mellom redskapsfeste, lasterarm eller overføringer – juster ev. koblingene.**

**Kroksett** bestilles separat fra forhandler. Monteres iht. medfølgende instruksjoner.

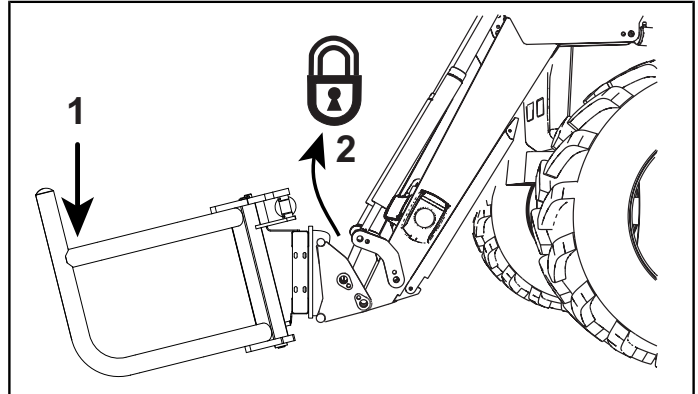


Figur 277 Eksempel på montering av kroksett

## 60.1. Klargjøring av redskap for bruk

Kontroller forsiktig at:

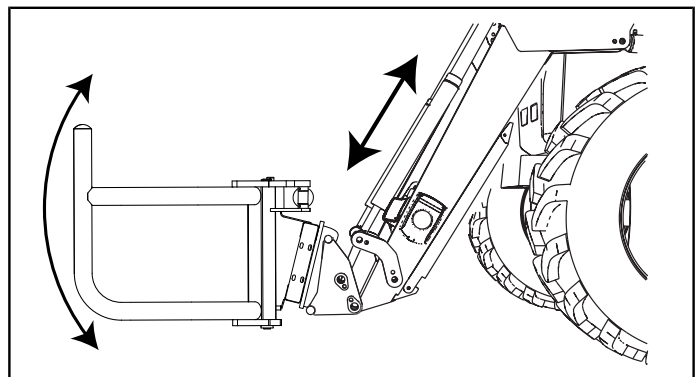
1. Slange koblet til sylindrens (+)-side har rød markering og at redskapet beveger seg i henhold til beskrivelse for åpne/stenge.
2. Ingen hydraulikkoljelekkasje forekommer.
3. Redskapet er riktig montert i redskapsfestet og at tappene er i låst posisjon. Press redskapens spiss mot bakken (1) for å kontrollere at redskapet sitter fast (2).



Figur 278 Kontroller at redskapet sitter fast ved å presse spissen på det mot bakken.

4. Ingen kollisjonsrisiko mellom laster og redskap foreligger (se bilde).
5. Smøre redskap i henhold 61. Smøring og vedlikehold.

Se også Til- og frakobling av redskap i lasterens instruksjonsbok.



Figur 279 Kontroller at det ikke foreligger kollisjonsfare mellom laster og redskap.



**Advarsel!**

**IKKE stå, gå eller arbeid under en oppløftet laster. Sørg for å holde enkeltpersoner, spesielt barn, og dyr borte fra arbeidsområdet.**



0106

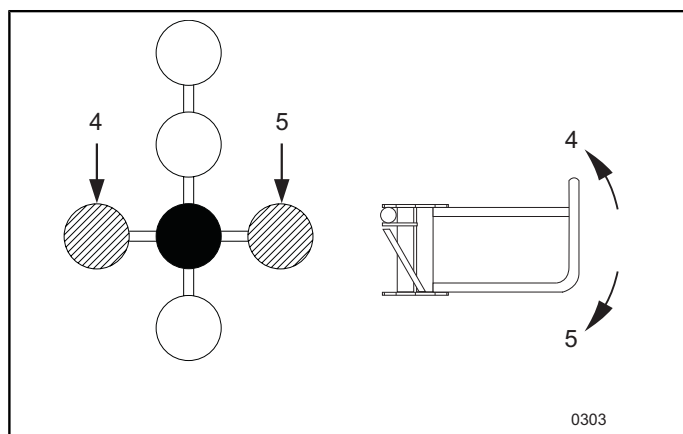
Figur 280 IKKE stå, gå eller arbeid under en oppløftet laster.

### 60.1.1. Tømme/bryte opp redskap

Høyremontering: Før spaken mot venstre (4) for å bryte opp redskapet.

Før spaken mot høyre (5) for å tømme redskapet.

*Merk:* Ved venstremontering blir bevegelsene omvendt (gjelder ikke EasyDrive LCS og ElectroDrive LCS som bare finnes som høyremontert).



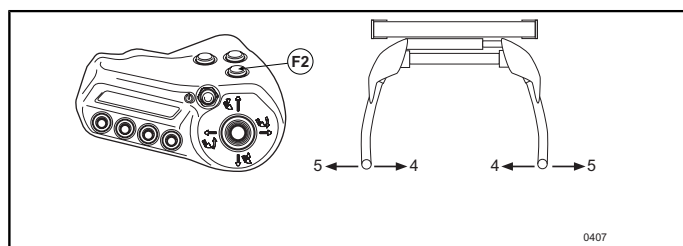
Figur 281 Tømme/bryte opp redskap

### 60.1.2. Åpne/stenge redskapet – EasyDrive LCS og ElectroDrive LCS

For å åpne og stenge redskapet brukes den tredje hydrauliske funksjonen som styres med strømbryteren F2.

Når spaken føres til høyre (5), åpnes redskapet, og når den føres til venstre (4), stenges redskapet (høyremontering).

*Merk:* Når strømbryteren for den tredje hydraulikkfunksjonen slippes, går spaken umiddelbart tilbake til tømme-/brytefunksjon.



Figur 282 Åpne/stenge redskapet – EasyDrive LCS og ElectroDrive LCS

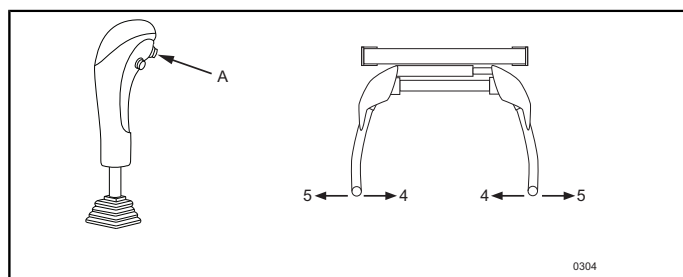
### 60.1.3. Åpne/stenge redskapet - ErgoDrive LCS/ErgoDrive

For å åpne og stenge redskapet brukes den tredje hydrauliske funksjonen som styres med en strømbryter (A) på joystickens fremside.

Når spaken føres til høyre (5), åpnes redskapet, og når den føres til venstre (4), stenges redskapet (høyremontering).

Ved venstremontering blir bevegelsene omvendt.

*Merk:* Når strømbryteren for den tredje hydraulikkfunksjonen slippes, går spaken umiddelbart tilbake til tømme-/brytefunksjon.



Figur 283 Åpne/stenge redskapet - ErgoDrive LCS/ErgoDrive

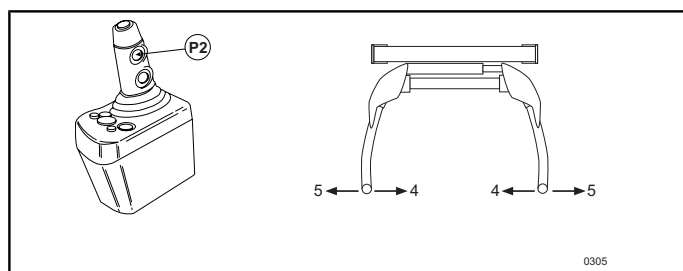
### 60.1.4. Åpne/stenge redskapet – ElectroDrive CDC

For å åpne og stenge redskapet brukes den tredje hydrauliske funksjonen som styres med strømbryteren P2.

Når spaken føres til høyre (5), åpnes redskapet, og når den føres til venstre (4), stenges redskapet (høyremontering).

Ved venstremontering blir bevegelsene omvendt.

Når strømbryteren for den tredje hydraulikkfunksjonen slippes, går spaken umiddelbart tilbake til tømme-/brytefunksjon.



Figur 284 Åpne/stenge redskapet – ElectroDrive CDC

### 60.1.5. Åpne/stenge redskapet – Slangesett

Slangesett – traktorens joystick, se traktorens instruksjonsbok.

### 60.1.6. Kjøreinstruksjon

For å unngå at plasten skades, skal griparmenes øvre del plasseres i høyde med ballens overkant. Transporter ballen liggende – vend den til stående stilling ved laste-/lagringsplassen.

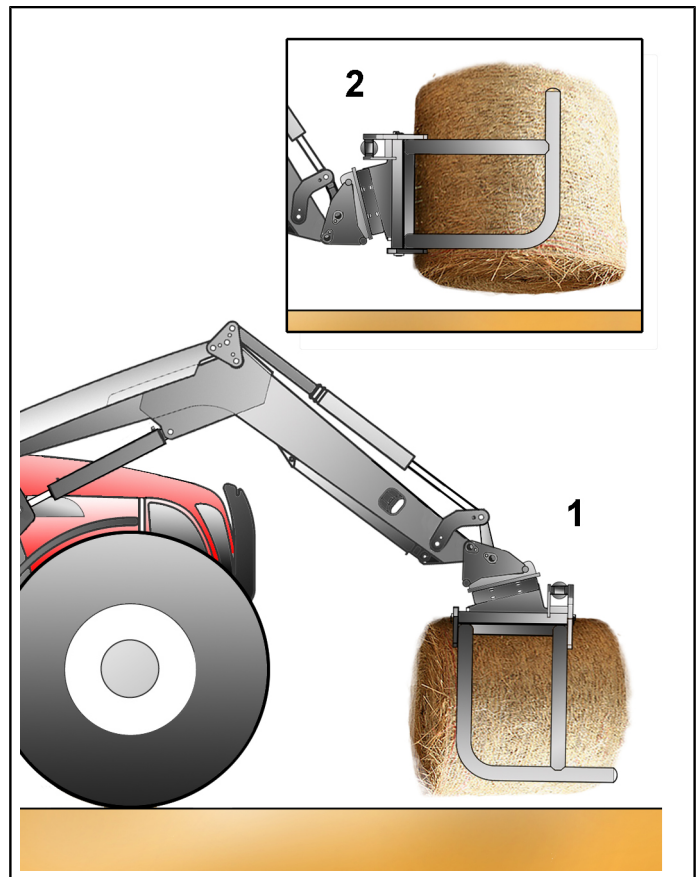
*Merk:* Ballen bør vendes i så lav høyde som mulig.



#### Advarsel!

**Ballen bør vendes ved så lav høyde som mulig. Ved lange transportavstander kan klemmekraften avta pga. ev. indre oljelekkasje i lasterens manøverventil. Dette kan føre til at ballen faller av.**

For å unngå å "miste baller" p.g.a. intern oljelekkasje, kan man stoppe og øke klemkraften på ballen med jevne mellomrom eller utstyre redskapet med en lastholdeventil (tilleggsutstyr).



Figur 285 Transporter ballen liggende og lavt (1) – vend den til stående stilling ved laste-/lagringsplassen.

### 60.1.7. Ved utkobling

Koble ikke fra redskapet med sylindren i en av endeposisjonene – det kan da oppstå problemer pga. overtrykk når hurtigkoblingene skal kobles til.

Se også Til- og frakobling av redskap i lasterens instruksjonsbok.

## 61. SMØRING OG VEDLIKEHOLD

**!** Advarsel!  
Stå aldri mellom traktorens front og lasterens tverrør.



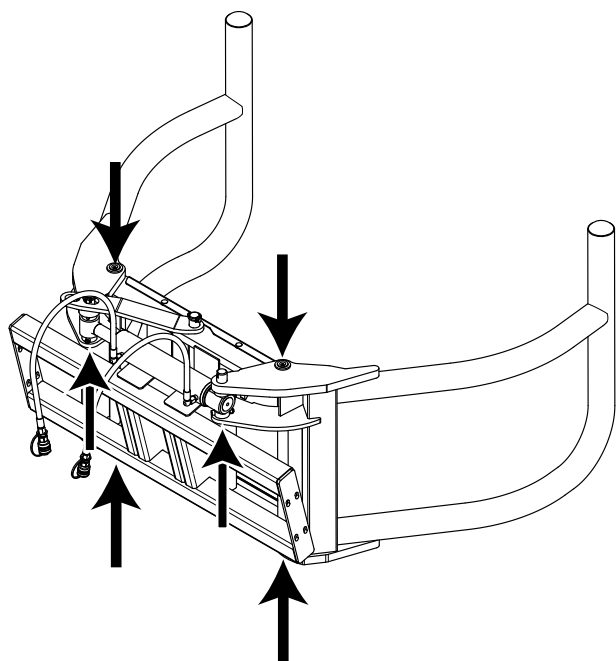
Figur 286 Stå aldri mellom traktorens front og lasterens tverrør.

### 61.1. Smørepunkter

Alle lagre er utstyrt med føringer som normalt kun trenger innfettes én gang per måned.

**!** Advarsel!  
**Knuse- og klemfare.**  
Lasteren kan falle ned.  
Senk redskapet ned til bakken, og steng redskapet før smøring påbegynnes.

Figur 287 Smørepunkter.



### 61.2. Oppbevaring

Påfør et tynt lager fett på synlige stempelstenger for å beskytte dem.

## 61.3. Slanger og sylindere

Les dette før hydraulikksystemet kontrolleres med hensyn til lekkasje:



### Advarsel!

#### Trykksatt olje.

Hydraulikkolje med høyt trykk kan sprøytes inn i kroppen ved lekkasje og forårsake alvorlige skader, blindhet eller dødsfall. Lekkasjen kan være usynlig.

Benytt godkjente vernebriller, og beskytt huden med f.eks. kraftige skinnhansker. Benytt papp eller tre ved søking etter lekkasjer. Hvis det har trengt inn væske i huden, MÅ den fjernes i løpet av et par timer av lege som kan behandle denne typen skader.



Figur 288 Benytt ALDRI fingre eller hender ved lekkasjesøking.

Kontroller slanger og tilkoblinger med jevne mellomrom med hensyn til slitasje og lekkasje. Sørg for at slangene har tilstrekkelig spillerom og ikke gnisser mot andre komponenter. Skift skadede slanger, og trekk til alle tilkoblinger.

Sylindrene er dobbeltvirkende. De må alltid holdes i god stand for optimal funksjon. Lekkasjer, indre eller ytre, påvirker ytelsen og kan være farlige.

Dette redskap krever et hydraulikksystem som arbeider med høyt trykk. Bruk bare reservedeler som er godkjent av produsenten.

### 61.3.1. Kontroll av hydraulikktilkoblinger

Kontroller at alle slanger og adaptere er tiltrukket og at de ikke lekker.

### 61.3.2. Reparasjon av hydraulikksylindere

Demontering, reparasjon og montering av hydraulikksylindere krever spesialverktøy for å forhindre skader på innvendige komponenter. Vi anbefaler at en sylinder som skal repareres, sendes til en autorisert forhandler.

## 62. DATA

Modell	160	200
Vekt, uten kroker	235 kg	260 kg
Sylinder	80 mm / 40 mm	80 mm / 40 mm
Ballstørrelse	120-160 cm	150-200 cm
Ballevekt maks.	1000 kg	1000 kg
Maks. arbeidstrykk	200bar / 20MPa *)	

\*) Hvis arbeidstrykket er høyere enn 200 bar, bør det brukes trykkbegrensning. Trykkbegrensningssettet kan bestilles som tilbehør.

### 62.1. Anbefalingstabell

Lastermodell	Maks. last
X21	650 kg
X31, X41	750 kg
X51	800 kg
X26	950 kg
Q21 (+1.1), Q31 (+2.1), Q26 (+1.1P)	1000 kg
Q36 (+2.1P)	1000 kg
X36, Q33 (+2.3)	1000 kg
X46, Q41 (+3.1)	1000 kg
X56, Q51 (+4.1), Q38 (+2.3P), Q46 (+3.1P), Q49 (+3.4P)	1000 kg
Q56 (+4.1P)	1000 kg
Q48 (+3.3P)	1000 kg
Q61 (+5.1), Q58 (+4.3P)	1000 kg
Q66 (+5.1P)	1000 kg
Q68 (+5.3P), Q76 (+6.1P), Q78 (+6.3P), Q88 (+7.3P), Q98 (+8.3P)	1000 kg
Hjullaster/teleskoplaster	1000 kg

## 63. GARANTIBESTEMMELSER

ÅLÖ AB forplikter seg i en periode på 12 (tolv) måneder fra den dagen lasteren/utstyret blir leverert til kjøperen, å skifte ut eller reparere deler som pga. feil i materialet eller i produksjonen må rettes opp. Forutsetningen er at leverandøren umiddelbart blir varslet om feilen, og at den feilaktige lasteren/delen fritt stilles til leverandørens disposisjon.

For deler som skiftes ut, gjelder garantien bare for den tiden som gjenstår av garantitiden.

Garantien omfatter ikke feil som skyldes ulykker, mangelfullt vedlikehold, endring eller feilaktig montering fra kjøperens side. Ved garantiutskifting av deler som er utsatt for særlig stor slitasje, skal kjøperen betale erstatning for den tiden de er brukt.

Erstatning gjelder ikke personskader, stillstand, etterskader eller andre tap

Test eller feilsøking som utføres etter krav fra kjøperen, utføres uten kostnad for kjøperen dersom det i denne sammenheng konstateres mangler.

I motsatt fall debiteres kjøperen samtlige kostnader.

Tilfeldige reparasjoner eller merkostnader pga. at arbeidet utføres utenfor ordinær arbeidstid erstattes ikke.

## EU-DEKLARASJON OM OVERENSSTEMMELSE

(Direktiv 2006/42/EF, Vedlegg 2A)

ÅLÖ AB

Brännland 300

SE-901 37 Umeå, Sverige

Tel. +46 (0)90 17 05 00

Forsikrer herved at:

Redskapsmodeller som beskrives i denne boken, se forsiden, f.o.m produksjonsmåned november 2015.

A. er produsert i overensstemmelse med RÅDSDIREKTIV:

– av 17. mai 2006 angående innbyrdes tilnærming av medlemsstatenes lover angående maskiner, 2006/42/EG, med spesiell henvisning til direktivets Vedlegg 1 om vesentlige helse- og sikkerhetskrav i forbindelse med konstruksjon og produksjon av maskiner.

B. er produsert i overensstemmelse med følgende harmoniserte standarder:

EN ISO 12100:2010, EN ISO 4413:2010, EN 12525:2000+A2 2010.

RISE SMP Svensk Maskinprovning AB, Box 7035, SE-75007 Uppsala, Sverige, har gjennomført frivillig typegodkjenning for Alo AB. Sertifikatet har tall: SEC/09/2051 – hydraulisk redskap.

Ansvarlig person for sammenstilling av teknisk dokumentasjon hos ÅLÖ AB er Anders Lundgren, Executive Vice President R&D.



Umeå 2022-09-01

Niklas Åström

VD



## UK DECLARATION OF CONFORMITY

(Gjelder for markedet i Storbritannia)

Address: Manufacturer

ÅLÖ AB

Brännland 300

SE-901 37 Umeå, Sweden

Tel. +46 (0)90 17 05 00

Address: Authorized representative

Alo UK Ltd

Unit 1 Ryelands Business Centre,

Ryelands Lane,

Elmley Lovett,

Droitwich,

Worcestershire

WR9 0PT, UK

Hereby certifies that:

Attachment models described in this document, see front page, from and including manufacturing month November 2015.

- A. manufactured in conformity with the provisions in the Supply of Machinery (Safety) Regulations 2008,
- B. manufactured according to the following designated standards: BS EN ISO 12100:2010, BS EN ISO 4413:2010, BS EN 12525:2000+A2:2010.

RISE SMP Svensk Maskinprovning AB, Box 7035, SE-75007 Uppsala, Sweden, has carried out voluntary type examination for ÅLÖ AB. The certificate has number: SEC/09/2051 – hydraulic implements.

The person authorized to compile technical documentation at ÅLÖ AB is Anders Lundgren, Executive Vice President R&D.



Umeå 2022-09-01

Niklas Åström

President and Chief Executive Officer (CEO)



