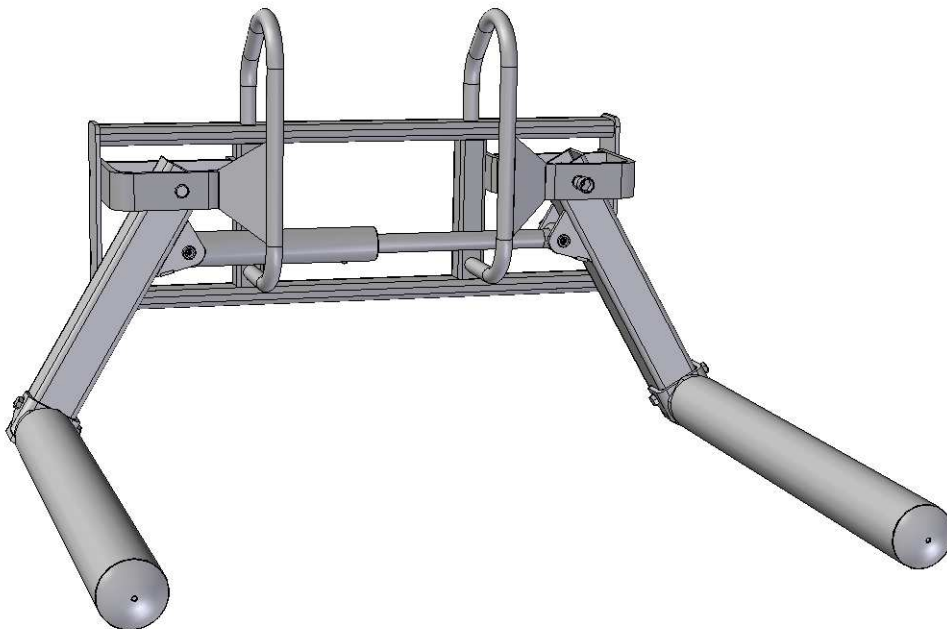


Operator's Manual

Flexibal

200



Original instructions - Bruksanvisning i original - Original Betriebsanleitung - Notice originale -
Manual original - Original brugsanvisning - Alkuperäiset ohjeet - Original driftsinstruks -
Oorspronkelijke gebruiksaanwijzing - Istruzioni originali - Instrukcja oryginalna



Caution!

Read through the entire instruction manual before you start to use the product.
it contains important information for your safety.



TABLE OF CONTENTS

1. PREFACE.....	6
1.1. General information.....	6
2. SAFETY INSTRUCTIONS.....	7
2.1. General information.....	7
2.1.1. Warning decals.....	7
2.2. Explanation of warning levels.....	8
2.2.1. Explanation of symbols.....	8
2.3. Supervision and users.....	8
2.3.1. Responsibility.....	8
3. DESCRIPTION.....	11
3.1. Definitions.....	11
3.1.1. Third hydraulic function.....	11
3.1.2. ErgoDrive / ErgoDrive LCS.....	11
3.1.3. ElectroDrive CDC / ElectroDrive LCS / EasyDrive LCS.....	11
3.1.4. Hose kit.....	11
3.2. Tool carrier.....	11
4. DRIVING INSTRUCTIONS.....	12
4.1. Application areas.....	12
4.1.1. Designated use.....	12
4.2. Before operating the implement.....	12
4.2.1. Dump/Roll back the implement.....	13
4.2.2. Open/close the implement - EasyDrive LCS and ElectroDrive LCS.....	13
4.2.3. Open/close the implement - ErgoDrive LCS/ ErgoDrive.....	13
4.2.4. Opening/closing the implement - ElectroDrive CDC.....	14
4.2.5. Open/close the implement - Hose kit.....	14
4.2.6. Operating instructions.....	14
4.2.7. Bale spike.....	14
4.2.8. Parking the implement.....	14
5. LUBRICATION AND MAINTENANCE.....	15
5.1. Lubrication points.....	15
5.2. Storage.....	15
5.3. Hoses and cylinders.....	15
5.3.1. Checking the hydraulic connections.....	16
5.3.2. Repairing the hydraulic cylinders.....	16
6. DATA.....	17
6.1. Table of recommendations.....	17
7. WARRANTY CONDITIONS.....	18
EU Declaration of Conformity.....	18
UK DECLARATION OF CONFORMITY	19

INNEHÅLLSFÖRTECKNING

8. FÖRORD.....	20
8.1. Allmän information.....	20
9. SÄKERHETSINSTRUKTIONER.....	21
9.1. Allmän information.....	21
9.1.1. Varningsdekaler.....	21
9.2. Förklaring av varningsnivåer.....	22
9.2.1. Symbolförklaring.....	22

9.3. Arbetsledning och brukare.....	22
9.3.1. Ansvar.....	22

10. BESKRIVNING.....	25
10.1. Definitioner.....	25
10.1.1. Tredje hydraulfunktion.....	25
10.1.2. ErgoDrive / ErgoDrive LCS.....	25
10.1.3. ElectroDrive CDC / ElectroDrive LCS / EasyDrive LCS.....	25
10.1.4. Slangsats.....	25
10.2. Redskapsfästen.....	25

11. KÖRINSTRUKTIONER.....	26
11.1. Användningsområden.....	26
11.1.1. Avsedd användning.....	26
11.2. Att göra innan användning av redskapet.....	26
11.2.1. Tömna/bryta upp redskap.....	27
11.2.2. Öppna/stänga redskapet - EasyDrive LCS och ElectroDrive LCS.....	27
11.2.3. Öppna/stänga redskapet - ErgoDrive LCS/ ErgoDrive.....	27
11.2.4. Öppna/stänga redskapet - ElectroDrive CDC.....	28
11.2.5. Öppna/stänga redskapet - Slangsats.....	28
11.2.6. Körinstruktion.....	28
11.2.7. Balspjut.....	28
11.2.8. Vid avställning.....	28

12. SMÖRJNING OCH UNDERHÅLL.....	29
12.1. Smörjpunkter.....	29
12.2. Förvaring.....	29
12.3. Slangar och cylindrar.....	29
12.3.1. Kontroll av hydraulanslutningar.....	30
12.3.2. Reparation av hydraulcylindrar.....	30

13. DATA.....	31
13.1. Rekommendationstabell.....	31

14. GARANTIBESTÄMMELSER.....	32
EG-försäkran om överensstämmelse.....	32
UK DECLARATION OF CONFORMITY	33

INHALT

15. VORWORT.....	34
15.1. Allgemeine Informationen.....	34
16. SICHERHEITSANWEISUNGEN.....	35
16.1. Allgemeine Informationen.....	35
16.1.1. Warnschilder.....	35
16.2. Erklärung der Warnstufen.....	36
16.2.1. Symbolerklärung.....	36
16.3. Arbeitsleitung und Bediener.....	37
16.3.1. Verantwortung.....	37

17. BESCHREIBUNG.....	40
17.1. Definitionen.....	40
17.1.1. 3. Hydraulikfunktion.....	40
17.1.2. ErgoDrive/ErgoDrive LCS.....	40
17.1.3. ElectroDrive CDC/ElectroDrive LCS/EasyDrive LCS.....	40
17.1.4. Schlauch-satz.....	40
17.2. Gerätehalterungen.....	40

18. FAHRANWEISUNGEN.....	41
18.1. Einsatzbereiche.....	41
18.1.1. Verwendungszweck.....	41
18.2. Inbetriebnahme des Geräts.....	41
18.2.1. Gerät ankippen / abkippen.....	42
18.2.2. Gerät öffnen/schließen - EasyDrive LCS und ElectroDrive LCS.....	42
18.2.3. Gerät öffnen/schließen - ErgoDrive LCS/ ErgoDrive.....	42
18.2.4. Gerät öffnen/schließen - ElectroDrive CDC.....	43
18.2.5. Gerät öffnen/schließen - Schlauchsatz.....	43
18.2.6. Fahrabweisung.....	43
18.2.7. Ballenspieß.....	43
18.2.8. Abstellung.....	43
19. SCHMIERUNG UND WARTUNG.....	44
19.1. Schmierpunkte.....	44
19.2. Aufbewahrung.....	44
19.3. Schläuche und Zylinder.....	44
19.3.1. Überprüfung von Hydraulikanschlüssen.....	45
19.3.2. Reparatur von Hydraulikzylindern.....	45
20. TECHNISCHE DATEN.....	46
20.1. Tabelle mit Empfehlungen.....	46
21. GARANTIEBEDINGUNGEN.....	48
EU-Konformitätserklärung.....	48
UK DECLARATION OF CONFORMITY	49
SOMMAIRE	
22. PRÉFACE.....	50
22.1. Autres informations.....	50
23. CONSIGNES DE SÉCURITÉ.....	51
23.1. Autres informations.....	51
23.1.1. Autocollants de mise en garde.....	51
23.2. Explication des niveaux de mise en garde.....	52
23.2.1. Explication des symboles.....	52
23.3. Encadrement et utilisateurs.....	52
23.3.1. Responsabilité.....	52
24. DESCRIPTION.....	56
24.1. Définitions.....	56
24.1.1. Troisième fonction hydraulique.....	56
24.1.2. ErgoDrive / ErgoDrive LCS.....	56
24.1.3. ElectroDrive CDC / ElectroDrive LCS / EasyDrive LCS.....	56
24.1.4. Jeu de flexibles.....	56
24.2. Porte-outil.....	56
25. INSTRUCTIONS DE CONDUITE.....	57
25.1. Applications.....	57
25.1.1. Utilisation prévue.....	57
25.2. Avant la mise en service de l'outil.....	57
25.2.1. Fonction bennage/cavage.....	58
25.2.2. Pour ouvrir/fermer l'outil - EasyDrive LCS et ElectroDrive LCS.....	58
25.2.3. Ouvrir/fermer l'outil - ErgoDrive LCS/ ErgoDrive.....	58
25.2.4. Pour ouvrir/fermer l'outil - ElectroDrive CDC.....	59

25.2.5. Pour ouvrir/fermer l'outil - Jeu de flexibles.....	59
25.2.6. Utilisation.....	59
25.2.7. Pic-balle.....	59
25.2.8. Stationnement de l'outil.....	59

26. LUBRIFICATION ET ENTRETIEN..... 60

26.1. Points de graissage.....	60
26.2. Rangement.....	60
26.3. Flexibles et vérins.....	60
26.3.1. Contrôle des raccords hydrauliques.....	61
26.3.2. Réparation des vérins hydrauliques.....	61

27. CARACTÉRISTIQUES TECHNIQUES..... 62

27.1. Tableau de recommandations.....	62
---------------------------------------	----

28. CONDITIONS DE GARANTIE..... 63

Attestation de conformité UE.....	63
UK DECLARATION OF CONFORMITY	64

ÍNDICE

29. INTRODUCCIÓN..... 65

29.1. Información general.....	65
--------------------------------	----

30. INSTRUCCIONES DE SEGURIDAD..... 66

30.1. Información general.....	66
30.1.1. Pegatinas de advertencia.....	66
30.2. Explicación de los niveles de advertencia.....	67
30.2.1. Explicación de símbolos.....	67
30.3. Supervisión y usuarios.....	67
30.3.1. Responsabilidad.....	67

31. DESCRIPCIÓN..... 71

31.1. Definiciones.....	71
31.1.1. Tercera función hidráulica.....	71
31.1.2. ErgoDrive / ErgoDrive LCS.....	71
31.1.3. ElectroDrive CDC / ElectroDrive LCS / EasyDrive LCS.....	71
31.1.4. Juego de mangueras.....	71
31.2. Fijaciones de implemento.....	71

32. INSTRUCCIONES DE OPERACIÓN..... 72

32.1. Áreas de aplicación.....	72
32.1.1. Usos específicos.....	72
32.2. Efectuar antes de utilizar el implemento.....	72
32.2.1. Vaciado/inclinación hacia arriba del implemento.....	73
32.2.2. Abrir/cerrar el implemento - EasyDrive LCS y ElectroDrive LCS.....	73
32.2.3. Abrir/cerrar el implemento - ErgoDrive LCS/ ErgoDrive.....	73
32.2.4. Abrir/cerrar el implemento - ElectroDrive CDC.....	74
32.2.5. Abrir/cerrar el implemento - Juego de mangueras.....	74
32.2.6. Instrucciones de operación.....	74
32.2.7. Lanza de bala.....	74
32.2.8. Para desacoplarlo.....	74

33. LUBRICACIÓN Y MANTENIMIENTO.....	75
33.1. Puntos de lubricación.....	75
33.2. Almacenamiento.....	75
33.3. Mangueras y cilindros.....	75
33.3.1. Control de las conexiones hidráulicas.....	76
33.3.2. Reparación de los cilindros hidráulicos.....	76
34. DATOS.....	77
34.1. Tabla de recomendaciones.....	77
35. CONDICIONES DE GARANTÍA.....	78
Declaración de conformidad CE.....	78
UK DECLARATION OF CONFORMITY	79

INDHOLDSFORTEGNELSE

36. FORORD.....	80
36.1. Generel information.....	80
37. SIKKERHEDSVEJLEDNING.....	81
37.1. Generel information.....	81
37.1.1. Advarselsmærkat.....	81
37.2. Forklaring af advarselniveauer.....	82
37.2.1. Symbolforklaring.....	82
37.3. Arbejdsledelse og brugere.....	82
37.3.1. Ansvar.....	82
38. BESKRIVELSE.....	85
38.1. Definitioner.....	85
38.1.1. Tredje hydraulikfunktion.....	85
38.1.2. ErgoDrive / ErgoDrive LCS.....	85
38.1.3. ElectroDrive CDC / ElectroDrive LCS / EasyDrive LCS.....	85
38.1.4. Slangesæt.....	85
38.2. Redskabsbeslag.....	85
39. ANVENDELSESVEJLEDNING.....	86
39.1. Anvendelsesområder.....	86
39.1.1. Korrekt brug.....	86
39.2. Ting, der skal gøres, inden redskabet anvendes.....	86
39.2.1. Tømning/opadvipning af redskab.....	87
39.2.2. Åbne/lukke redskabet - EasyDrive LCS og ElectroDrive LCS.....	87
39.2.3. Åbne/lukke redskabet - ErgoDrive LCS/ ErgoDrive.....	87
39.2.4. Åbne/lukke redskabet - ElectroDrive CDC.....	88
39.2.5. Åbning/lukning af redskabet - slangesæt.....	88
39.2.6. Anvendelsesvejledning.....	88
39.2.7. Ballespyd.....	88
39.2.8. Ved afsætning.....	88
40. SMØRING OG VEDLIGEHOJDELSE.....	89
40.1. Smøresteder.....	89
40.2. Opbevaring.....	89
40.3. Slinger og cylindre.....	89
40.3.1. Kontrol af hydrauliktilslutninger.....	90
40.3.2. Reparation af hydraulikcylindre.....	90
41. DATA.....	91
41.1. Tabel over anbefalinger.....	91

42. GARANTIBESTEMMELSER.....	92
EF-overensstemmelseserklæring.....	92
UK DECLARATION OF CONFORMITY	93

SISÄLLYSLUETTELO

43. JOHDANTO.....	94
43.1. Yleistä.....	94
44. TURVALLISUUSOHJEET.....	95
44.1. Yleistä.....	95
44.1.1. Varoitustarrat.....	95
44.2. Varoitustasojen selitys.....	96
44.2.1. Symbolien selostus.....	96
44.3. Työnjohto ja käyttäjät.....	96
44.3.1. Vastuu.....	96
45. KUVAUS.....	99
45.1. Määritelmät.....	99
45.1.1. Kolmas hydraulitoiminto.....	99
45.1.2. ErgoDrive / ErgoDrive LCS.....	99
45.1.3. ElectroDrive CDC / ElectroDrive LCS / EasyDrive LCS.....	99
45.1.4. Letkusarja.....	99
45.2. Työvälinelevyt.....	99
46. KÄYTTÖOHJEET.....	100
46.1. Käyttöalueet.....	100
46.1.1. Tarkoitettu käyttö.....	100
46.2. Valmistelut ennen työlaitteen käyttöä.....	100
46.2.1. Varusteen tyhjennys/avaus.....	101
46.2.2. Avaa/sulje työväline - EasyDrive LCS ja ElectroDrive LCS.....	101
46.2.3. Avaa/sulje työväline - ErgoDrive LCS/ ErgoDrive.....	101
46.2.4. Työvälineen avaaminen/sulkeminen - ElectroDrive CDC.....	102
46.2.5. Työvälineen avaaminen/sulkeminen - Letkusarja.....	102
46.2.6. Käyttöohje.....	102
46.2.7. Paalipiikki.....	102
46.2.8. Irrottaminen.....	102
47. VOITELU JA HUOLTO.....	103
47.1. Voitelukohtat.....	103
47.2. Säilytys.....	103
47.3. Letkut ja sylinterit.....	103
47.3.1. Hydrauliliitäntöjen tarkastus.....	104
47.3.2. Hydraulisylinterien korjaus.....	104
48. TIEDOT.....	105
48.1. Suositustaulukko.....	105
49. TAKUUMÄÄRÄYKSET.....	106
EY-vaatimustenmukaisuusvakuutus.....	106
UK DECLARATION OF CONFORMITY	107
INNOLDSFORTEGNELSE	
50. FORORD.....	108
50.1. Generell informasjon.....	108

51. SIKKERHETSINSTRUKSJONER.....	109
51.1. Generell informasjon.....	109
51.1.1. Varselskilt.....	109
51.2. Forklaring av farenivåer.....	110
51.2.1. Symbolforklaring.....	110
51.3. Arbeidsledelse og brukere.....	110
51.3.1. Ansvar.....	110
52. BESKRIVELSE.....	113
52.1. Definisjoner.....	113
52.1.1. Tredje hydraulikkfunksjon.....	113
52.1.2. ErgoDrive / ErgoDrive LCS.....	113
52.1.3. ElectroDrive CDC / ElectroDrive LCS / EasyDrive LCS.....	113
52.1.4. Slangesett.....	113
52.2. Redskapsfester.....	113
53. KJØREINSTRUKSJONER.....	114
53.1. Bruksområder.....	114
53.1.1. Tiltent bruk.....	114
53.2. Klargjøring av redskap for bruk.....	114
53.2.1. Tømme/bryte opp redskap.....	115
53.2.2. Åpne/stenge redskapet – EasyDrive LCS og ElectroDrive LCS.....	115
53.2.3. Åpne/stenge redskapet - ErgoDrive LCS/ ErgoDrive.....	115
53.2.4. Åpne/stenge redskapet – ElectroDrive CDC..	116
53.2.5. Åpne/stenge redskapet – Slangesett.....	116
53.2.6. Kjøreinstruksjon.....	116
53.2.7. Ballspyd.....	116
53.2.8. Ved utkobling.....	116
54. SMØRING OG VEDLIKEHOLD.....	117
54.1. Smørepunkter.....	117
54.2. Oppbevaring.....	117
54.3. Slanger og sylindere.....	117
54.3.1. Kontroll av hydraulikktilkoblinger.....	118
54.3.2. Reparasjon av hydraulikksylindere.....	118
55. DATA.....	119
55.1. Anbefalingstabell.....	119
56. GARANTIBESTEMMELSER.....	120
EU-deklarasjon om overensstemmelse.....	120
UK DECLARATION OF CONFORMITY	121
INHOUDSOPGAVE	
57. VOORWOORD.....	122
57.1. Algemene informatie.....	122
58. VEILIGHEIDSVOORSCHRIFTEN.....	123
58.1. Algemene informatie.....	123
58.1.1. Waarschuingsstickers.....	123
58.2. Verklaring van waarschuwingniveau's.....	124
58.2.1. Uitleg van symbolen.....	124
58.3. Werkleiding en gebruikers.....	124
58.3.1. Aansprakelijkheid.....	124
59. BESCHRIJVING.....	128
59.1. Definities.....	128
59.1.1. Derde functie.....	128

59.1.2. ErgoDrive / ErgoDrive LCS.....	128
59.1.3. ElectroDrive CDC / ElectroDrive LCS / EasyDrive LCS.....	128
59.1.4. Slangenset.....	128
59.2. Werktuigbevestigingen.....	128

60. BEDIENINGSVOORSCHRIFTEN..... 129

60.1. Toepassingsgebieden.....	129
60.1.1. Beoogd gebruik.....	129
60.2. Voordat u het werktuig.....	129
60.2.1. Gereedschap legen/openbreken.....	130
60.2.2. Werktuig openen/sluiten - EasyDrive LCS en ElectroDrive LCS.....	130
60.2.3. Openen / sluiten hulpmiddel - ErgoDrive LCS/ ErgoDrive.....	130
60.2.4. Werktuig openen/sluiten - ElectroDrive CDC.....	131
60.2.5. Werktuig openen/sluiten - Slangenset.....	131
60.2.6. Bedieningsvoorschrift.....	131
60.2.7. Balenspits.....	131
60.2.8. Bij het buiten gebruik stellen.....	131

61. SMEREN EN ONDERHOUD..... 132

61.1. Smeerpunten.....	132
61.2. Opslag.....	132
61.3. Slangen en cilinders.....	132
61.3.1. Hydraulische aansluitingen controleren.....	133
61.3.2. Hydraulische cilinders repareren.....	133

62. GEGEVENS..... 134

62.1. Tabel met aanbevelingen.....	134
------------------------------------	-----

63. GARANTIEBEPALINGEN..... 135

EG-verklaring van overeenstemming.....	135
UK DECLARATION OF CONFORMITY	136

INDICE

64. INTRODUZIONE..... 137

64.1. Informazioni di carattere generale.....	137
---	-----

65. NORME DI SICUREZZA..... 138

65.1. Informazioni di carattere generale.....	138
65.1.1. Decalcomanie di avvertenza.....	138
65.2. Spiegazione dei livelli di pericolo.....	139
65.2.1. Spiegazione dei simboli.....	139
65.3. Direzione lavori e operatore.....	140
65.3.1. Responsabilità.....	140

66. DESCRIZIONE..... 143

66.1. Definizioni.....	143
66.1.1. 3a funzione idraulica.....	143
66.1.2. ErgoDrive / ErgoDrive LCS.....	143
66.1.3. ElectroDrive CDC / ElectroDrive LCS / EasyDrive LCS.....	143
66.1.4. Kit flessibili.....	143
66.2. Porta-attrezzi.....	143

67. ISTRUZIONI PER L'USO..... 144

67.1. Applicazioni.....	144
67.1.1. Uso previsto.....	144
67.2. Operazioni preliminari all'utilizzo dell'attrezzo.....	144
67.2.1. Svuotare/richiamare l'attrezzo.....	145

67.2.2. Apertura/chiusura dell'attrezzo - EasyDrive LCS ed ElectroDrive LCS.....	145
67.2.3. Apertura/chiusura dell'attrezzo - ErgoDrive LCS/ ErgoDrive.....	145
67.2.4. Apertura/chiusura dell'attrezzo - ElectroDrive CDC.....	146
67.2.5. Apertura/chiusura dell'attrezzo - Kit flessibili.....	146
67.2.6. Istruzioni per l'uso.....	146
67.2.7. Forca per balle.....	146
67.2.8. Per il rimessaggio.....	146

68. LUBRIFICAZIONE E MANUTENZIONE..... 147

68.1. Punti di lubrificazione.....	147
68.2. Conservazione.....	147
68.3. Flessibili e cilindri.....	147
68.3.1. Controllo dei raccordi idraulici.....	148
68.3.2. Riparazione dei cilindri idraulici.....	148

69. DATI..... 149

69.1. Tabella delle raccomandazioni.....	149
--	-----

70. CONDIZIONI DI GARANZIA..... 150

Dichiarazione di conformità CE.....	150
UK DECLARATION OF CONFORMITY	151

SPIS TREŚCI

71. WSTĘP..... 152

71.1. Informacje ogólne.....	152
------------------------------	-----

72. INSTRUKCJA BEZPIECZEŃSTWA..... 153

72.1. Informacje ogólne.....	153
72.1.1. Naklejki ostrzegawcze.....	153
72.2. Objasnienie poziomów ostrzeżeń.....	154
72.2.1. Objasnienie symboli.....	154
72.3. Dotyczy kierownictwa i użytkowników.....	155
72.3.1. Odpowiedzialność.....	155

73. OPIS..... 158

73.1. Definicje.....	158
73.1.1. Trzecia funkcja hydrauliczna.....	158
73.1.2. ErgoDrive / ErgoDrive LCS.....	158
73.1.3. ElectroDrive CDC / ElectroDrive LCS / EasyDrive LCS.....	158
73.1.4. Zestaw przewodów giętkich.....	158
73.2. Mocowania osprzętu.....	158

74. INSTRUKCJA UŻYTKOWANIA..... 159

74.1. Obszary zastosowania.....	159
74.1.1. Przewidziane zastosowania.....	159
74.2. Czynności do wykonania przed rozpoczęciem użytkowania osprzętu.....	159
74.2.1. Opróżnianie/podnoszenie osprzętu.....	160
74.2.2. Otwieranie/zamykanie osprzętu – EasyDrive LCS i ElectroDrive LCS.....	160
74.2.3. Otwieranie/zamykanie osprzętu - ErgoDrive LCS/ ErgoDrive.....	160
74.2.4. Otwieranie/zamykanie osprzętu – ElectroDrive CDC.....	161

74.2.5. Otwieranie/zamykanie osprzętu - Zespół przewodów giętkich.....	161
74.2.6. Instrukcja użytkownika.....	161
74.2.7. Szpikulec do bel.....	161
74.2.8. Przy odstawianiu.....	161

75. SMAROWANIE I KONSERWACJA.. 162

75.1. Punkty smarowania.....	162
75.2. Przechowywanie.....	162
75.3. Przewody giętkie i siłowniki.....	162
75.3.1. Kontrola połączeń hydraulicznych.....	163
75.3.2. Naprawa siłowników hydraulicznych.....	163

76. DANE..... 164

76.1. Tabela zaleceń.....	164
---------------------------	-----

77. POSTANOWIENIA GWARANCYJNE..... 166

Deklaracja zgodności WE.....	166
UK DECLARATION OF CONFORMITY	167

2. SAFETY INSTRUCTIONS

2.1. General information

Driver safety is one of the most important matters when a new implement is designed. The designer builds in as many safety functions as possible. Several accidents occur every year which could have been avoided by taking a few seconds of consideration, and through more careful operation of the implement.

Avoid personal injury. Read the following personal safety instructions and insist that everybody who works with you, or for you, also complies with the instructions.

2.1.1. Warning decals

Warning decals are fitted in different locations on the attachment. Locate, read and find out what the decals mean before loader and implement are used.

- Do not cover or remove any of the warning decals. If a warning decal is missing or illegible, replace it with a new decal. New warning decals are available from your dealer.

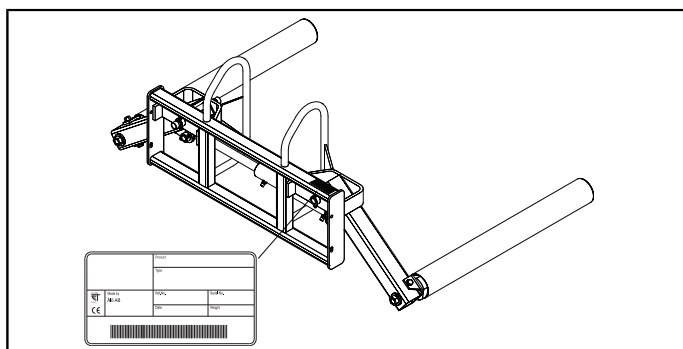


Fig.4 Position of machine sign.

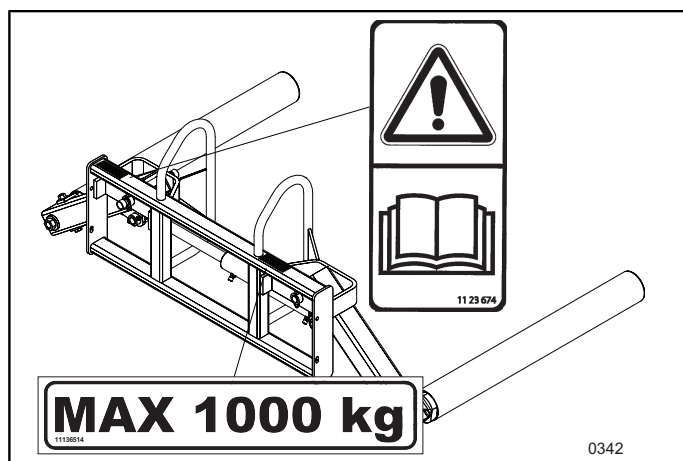


Fig.5 Position of warning decals

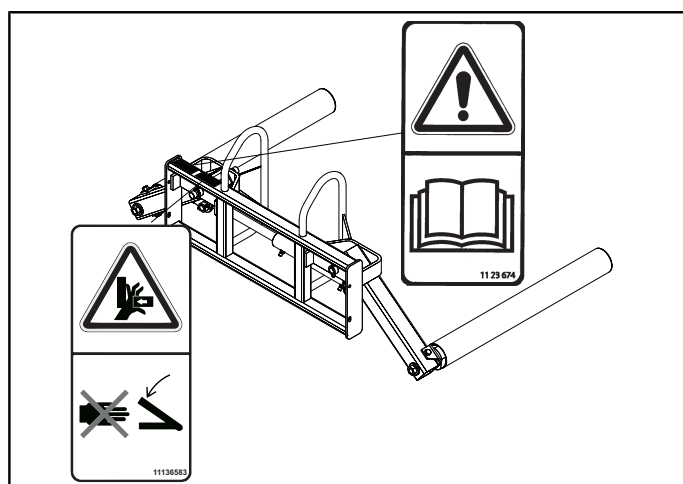


Fig.6 Position of warning decals (North America).

2.2. Explanation of warning levels

When you see the safety symbol and the signal words on decals or in the instruction manual, the instructions **MUST** be followed since they are related to your own personal safety.

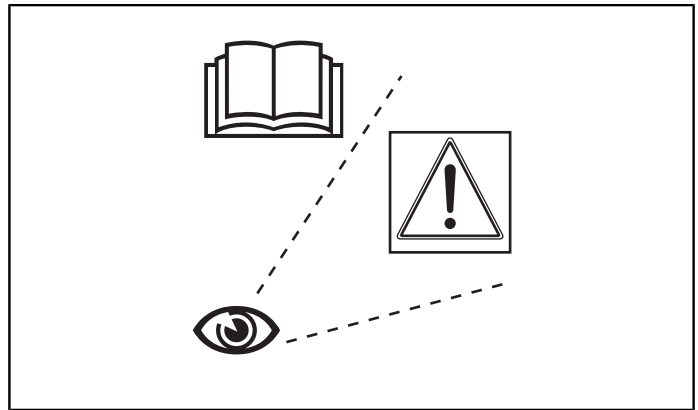




Fig.7 Locate, read and find out what the decals mean before the loader and implement are used.

2.2.1. Explanation of symbols

Safety symbol. Information adjacent to this symbol refers to your personal safety and must be observed.

 **Danger!**
Means an immediately dangerous situation which, if not avoided, will lead to death or serious personal injury. (North America only)

 **Warning!**
Means that an accident could occur if the instruction is not followed. The accident might lead to serious personal injury or death.


 **Caution!**
Means that an accident could occur if the instruction is not followed. An accident could lead to personal injury.



Fig.8 Safety symbol.


The following texts and instructions do not refer to personal safety, but are used consistently in the instruction manual, to provide tips about operation or service of the implement.

Important! Means that an accident could occur if the instruction is not followed. The accident might lead to damage to the property or to the process, or personal injury.

Note. Refers to extra information which could facilitate the understanding or implementation of a certain task.

2.3. Supervision and users

2.3.1. Responsibility

 **Caution!**
Always store this instruction manual as well as the tractor's own instruction manual in the tractor.

- If there is no instruction manual included with the tractor then obtain one from the reseller before fitting and using the loader and the attachment.
- Read through all material carefully and learn how to use the equipment in a safe and correct manner.

Warning!
Do NOT use the loader or the attachment as a working platform.

Warning!
Only use the attachment for the intended application area.

Warning!
Do not grip objects that extend the centre of gravity to a significant extent. This can lead to instability.

Warning!
Do NOT use the loader to lift or transport people.

- Only qualified individuals are permitted to operate the machine.

Warning!
Always check the machine's surroundings and ensure that all individuals, especially children and animals have moved away before starting or driving the machine.

You may not hear any shouting to attract your attention from individuals on the outside when you are sitting in the cab with the door closed.

Danger!
To prevent serious injury or death from crushing: Keep all individuals and objects clear while any part of this machine is in motion.



Fig.9 Do NOT use the loader or the attachment as a working platform.



Fig.10 Do NOT use the loader or attachment to lift or transport people.



Fig.11 Before starting, make sure that no individuals are in the vicinity of the machine.

Safety instructions

Familiarise yourself with the working area and terrain. Pay attention to vertical clearance and limitations that arise due to the increased reach.

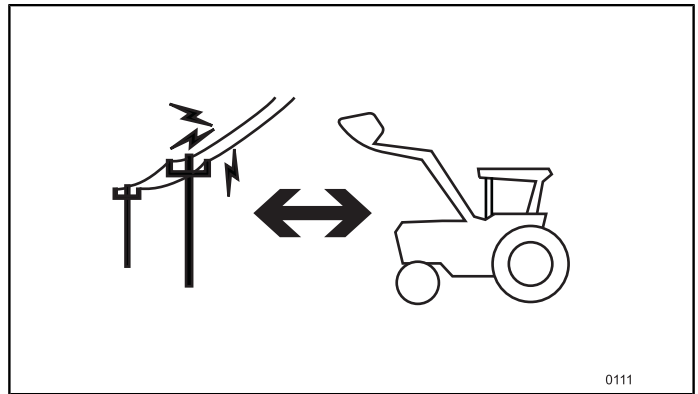


Fig.12 Familiarise yourself with the working area before starting. Maintain a safe distance from electrical cables and other obstructions.

Warning!
Always look at the implement. Objects can fall or roll backwards onto the driver when the loader is raised. Only lift loads that are designed for each specific implement.

Warning!
Always look at the implement. Objects can fall out during transport. Only transport loads that are designed for each specific implement.

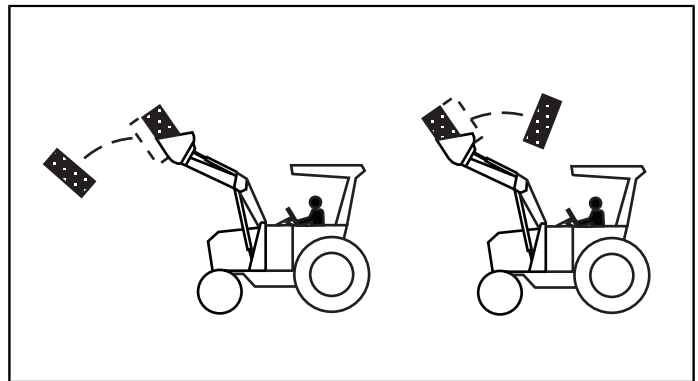


Fig.13 Always look at the implement. Objects can fall or roll backwards onto the driver when the loader is raised.

Warning!
Never stand between the front of the tractor and the loader's cross tubes.

Warning!
Risk of crushing and jamming
The loader may fall downwards.
Lower the loader/implement to the ground prior to lubrication.

Warning!
When installing the hoses, check that these are long enough and that they do not get stuck between the tool carrier, the loader beam or the links. If necessary, adjust the couplings.

Warning!
Pressurised oil.
Hydraulic oil at high pressure can be injected into the body in the event of leakage and cause serious injury, blindness or fatality. Leakage may be invisible.
Use approved protective safety glasses and protect the skin using strong leather gloves for example. Use cardboard or wood for leakage detection. If fluid has entered the skin then it **MUST** be removed within a couple of hours by a doctor who can treat this type of injury.



Fig.14 Never stand between the front of the tractor and the loader's cross tubes.



Fig.15 NEVER use fingers or hands for leakage detection.

3. DESCRIPTION

3.1. Definitions

3.1.1. Third hydraulic function

Optional hydraulic function for operating the implement's hydraulics.

3.1.2. ErgoDrive / ErgoDrive LCS

The ErgoDrive system is composed of a control valve and mechanical joystick as well as hydraulic connections and control cables for specified tractor models.

3.1.3. ElectroDrive CDC / ElectroDrive LCS / EasyDrive LCS

Installation kit as above but with an electrically operated valve and electronic joystick.

3.1.4. Hose kit

Hoses and hydraulic components for connecting the loader to the tractor's original valve.

3.2. Tool carrier

The implement can be equipped with various types of implement hook, depending on the loader's/base machine's attachment. There are various attachment systems for the hooks, e.g. welded or various bolted systems. For information about which implement hooks are available, contact Ålö AB. Take care to ensure that the implement hook is compatible with the loader's/base machine's attachment system. **Never improvise or adapt!**

Ensure that the implement is locked correctly according to the loader's/base machine's and the implement carrier's current instructions prior to use.

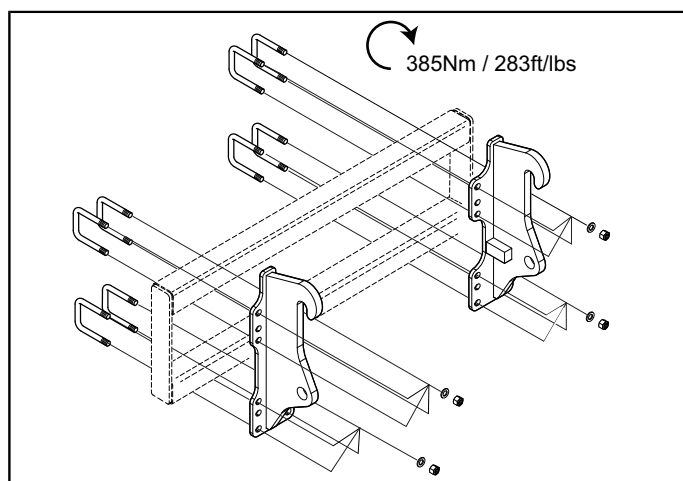


Fig.16 The implement can be equipped with various types of implement hook.

4. DRIVING INSTRUCTIONS

4.1. Application areas

4.1.1. Designated use

The implement is equipped with two rollers used to carry materials. Transport the material as low as possible. The main application area is the handling of:

- square bales
- round bales

Lower the loader as far as possible when moving. Keep in mind that the higher you lift the loader, the higher the centre of gravity, resulting in increased risk of the tractor overturning.

4.2. Before operating the implement

Check with caution that:

1. The hose connected to the cylinder's (+) side has red marking, and the implement moves in accordance with the open/close description.
2. There is no leakage of hydraulic oil.
3. The implement is correctly fitted and that the pins are in the locked position. Press the tip of the implement against the ground (1) to check that the implement is firmly fixed (2).

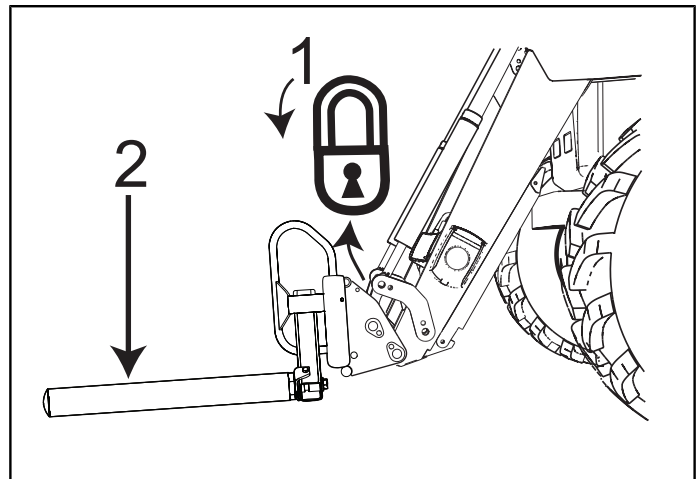


Fig.17 Check that the implement is secured by pressing its front end against the ground.

4. There is no risk of collision between loader and attachment (see illustration).
5. Lubricate the implement sufficiently 5. *Lubrication and maintenance*.

See also the chapter "Connection and disconnection of the implement" in the loader operating manual.

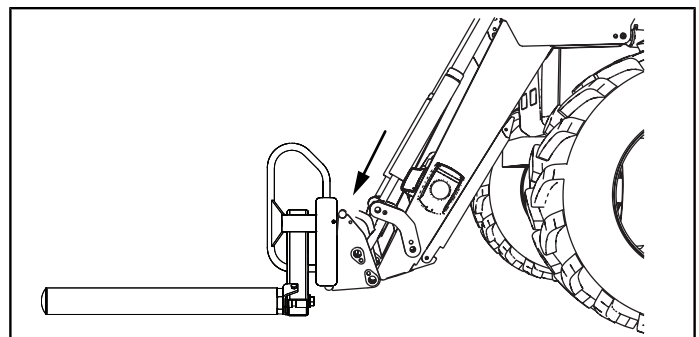


Fig.18 Check carefully that there is no risk of collision between loader and implement.

Warning!
Do NOT stand, walk or work under or beside a raised loader. Make sure you keep everybody, especially children and animals, away from the work area.



Fig.19 Do NOT stand, walk or work under a lifted loader.

4.2.1. Dump/Roll back the implement

Right-hand fitting: Move the lever to the left (4) to roll back the implement.

Move the lever to the right (5) to dump the implement.

Note. With left-hand mounting, the movements will be reversed. (This does not apply to EasyDrive LCS and ElectroDrive LCS which only have right-hand mounting.)

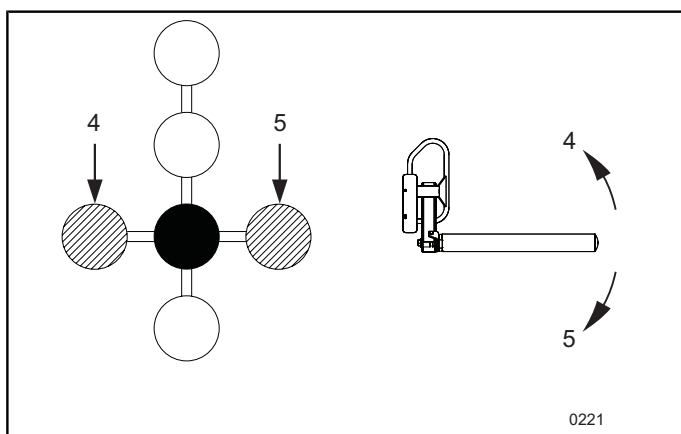


Fig.20 Dump/Roll back the implement

4.2.2. Open/close the implement - EasyDrive LCS and ElectroDrive LCS

To open and close the implement, use the third hydraulic function which is controlled by switch F2.

When the lever is moved to the right (5) the implement is opened, and when moved to the left (4) the implement is closed (right-hand fitting).

When the switch for the third hydraulic service is released then the control immediately returns to the dump/roll back function.

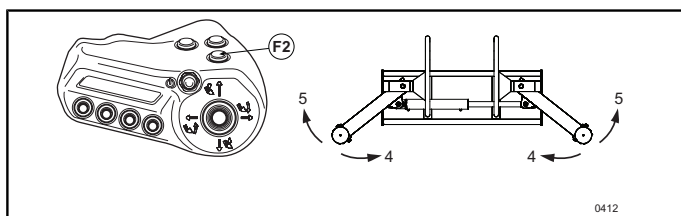


Fig.21 Open/close the implement - EasyDrive LCS and ElectroDrive LCS

4.2.3. Open/close the implement - ErgoDrive LCS/ErgoDrive

To open and close the implement, use the third hydraulic function which is controlled with a switch (A) on the front of the joystick control.

When the lever is moved to the right (5) the implement is opened, and when moved to the left (4) the implement is closed (right-hand fitting).

The movements are reversed for left-hand fitting.

When the switch for the third hydraulic service is released then the control immediately returns to the dump/roll back function.

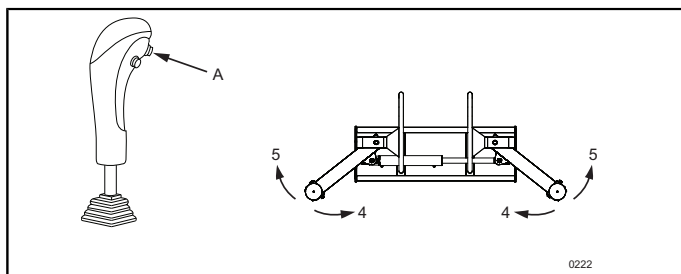


Fig.22 Open/close the implement - ErgoDrive LCS/ErgoDrive

4.2.4. Opening/closing the implement - ElectroDrive CDC

To open and close the implement, use the third hydraulic service which is controlled by switch P2.

When the lever is moved to the right (5) the implement is opened, and when moved to the left (4) the implement is closed (right-hand fitting).

The movements are reversed for left-hand fitting.

When the switch for the third hydraulic service is released then the control immediately returns to the dump/roll back function.

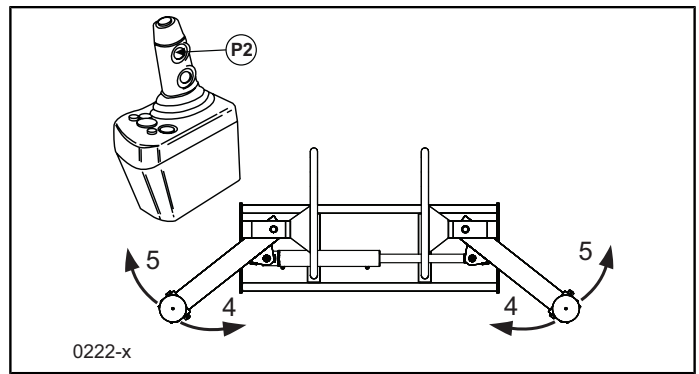


Fig.23 Opening/closing the implement - ElectroDrive CDC

4.2.5. Open/close the implement - Hose kit

Hose kit - tractor Joystick, see the instruction manual for the tractor.

4.2.6. Operating instructions

The implement is designed for handling round bales (max. diameter 172 cm). The rollers reduce the risk of damage to the plastic packaging. Make sure that the rollers engage the bale as low as possible (the rollers should therefore NOT clamp the bale).

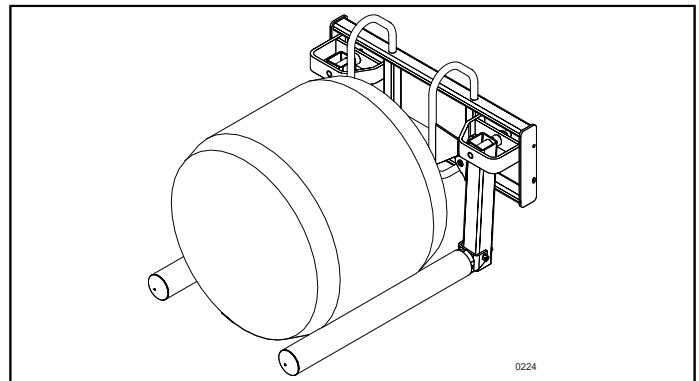


Fig.24 Operating instructions

4.2.7. Bale spike

The rollers (1) are bearing-mounted on the tine (2). By removing the screw (3), the roller can be removed. The attachment can then be used as a bale spike.

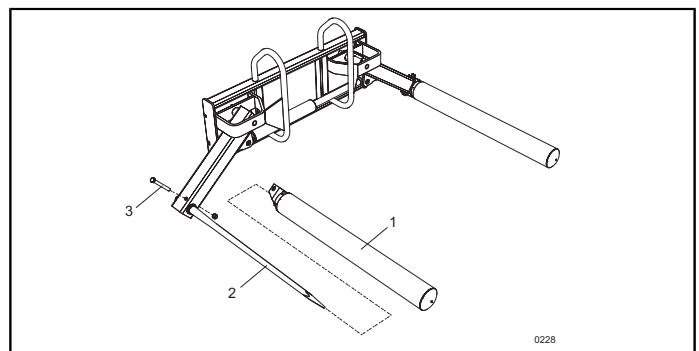


Fig.25 Bale spike

4.2.8. Parking the implement

Disconnect the attachment with the rollers as wide apart as possible, but not with the cylinder in the end position - difficulties may arise due overpressure next time quick couplings are connected.

See also the chapter "Connection and disconnection of the implement" in the loader operating manual.

5. LUBRICATION AND MAINTENANCE

Warning!
 Never stand between the front of the tractor and the loader's cross tubes.



Fig.26 Never stand between the front of the tractor and the loader's cross tubes.

5.1. Lubrication points

Lubricate the following grease nipples with universal grease every 10 operating hours.

Warning!
 Risk of crushing and jamming
 The loader may fall downwards.
 Lower the implement to the ground and close the attachment before starting to lubricate.

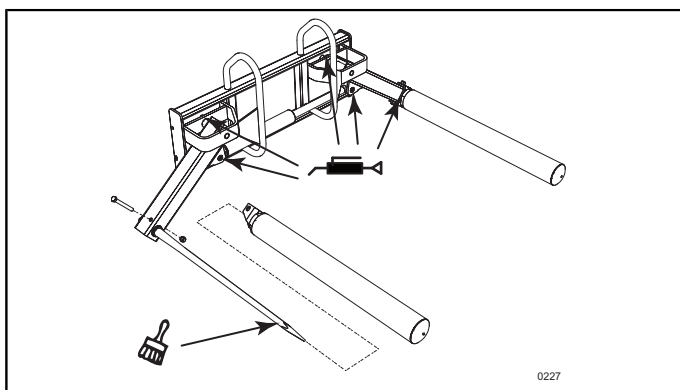


Fig.27 Lubrication nipples at each articulation pin on both sides of the attachment.

5.2. Storage

Apply a thin layer of grease on visible piston rods in order to protect them.

5.3. Hoses and cylinders

Read this before checking the hydraulic system for leakage:

Warning!
 Pressurised oil.
 Hydraulic oil at high pressure can be injected into the body in the event of leakage and cause serious injury, blindness or fatality. Leakage may be invisible.
 Use approved protective safety glasses and protect the skin using strong leather gloves for example. Use cardboard or wood for leakage detection. If fluid has entered the skin then it **MUST** be removed within a couple of hours by a doctor who can treat this type of injury.



Fig.28 NEVER use fingers or hands for leakage detection.

Check hoses and connections for wear and leakage at regular intervals. Ensure that hoses have sufficient clearance and do not scrape against other components. Replace damaged hoses and tighten all connections.

The cylinders are double-acting. They must always be maintained in good condition for optimal function. Leaks, internal or external, affect performance and may be dangerous.

In order for the implement to function optimally, it requires a hydraulic system that works at high pressure. Only use spare parts approved by the manufacturer.

5.3.1. Checking the hydraulic connections

Check that all hoses and adapters are tightened and that they do not leak.

5.3.2. Repairing the hydraulic cylinders

The removal, repair and fitting of the hydraulic cylinders require special tools to prevent damage to internal components. We recommend that a cylinder that needs repairing be sent to an authorised dealer to be fixed.

6. DATA

Cylinder	65/40
Oil pressure	120 - 200 bar/12 - 20 Mpa
Bale size	120 - 172 cm
Max load	1000 kg
Max. distance between rollers	172 cm
Weight	175 kg

6.1. Table of recommendations

Quicke / Trima

Loader	Q3	Q3S	Q3M	Q3L	Q4	Q4S	Q4M	Q4L	Q5	Q5S	Q5M	Q5L
Flexibal	1	1	1	1	1	1	1	1	1	1	1	1

Loader	Q6	Q6S	Q6M	Q6L	Q7	Q7S	Q7M	Q7L	Q8M
Flexibal	1	1	1	1	1	1	1	1	1

Loader	X1	X1S	X2	X2S	X3	X3S	X4	X4S	X5	X5S
Flexibal	2	2	2	1	2	1	2	1	2	1

1 Recommended combination

2 Unrecommended combination

Caution!
 As the operator of a telescopic loader or a machine with articulated steering, you must possess good knowledge of the load being handled/transported, such as its weight and centre of gravity. Be aware that the load's centre of gravity can displace the base machine's overall centre of gravity, thereby risking instability, which can lead to injury to the driver or people in the surrounding area, as well as damage to the machine and/or property.

Important! Recommendations for wheel loaders and other machines with articulated steering are based on the base machine's tipping load. Be aware that machines with articulated steering become unstable in the event of careless operation, primarily when turning, so take care!

Important! Be very familiar with the LOAD and BASE MACHINE! Carefully read through the base machine's manual and pay attention to its limitations before operation.

7. WARRANTY CONDITIONS

ÅLÖ AB undertakes, for a period of 12 (twelve) months from the day that the loader/equipment was delivered to the purchaser, to replace or repair components which need to be rectified due to faults in the material or manufacturing. This is on condition that the fault is immediately notified to the supplier, and that the faulty loader/component is made freely available to the supplier.

For replaced components, the warranty is valid only for the remaining duration of the original warranty.

The warranty does not cover faults caused by accidents, inadequate maintenance, modification or incorrect installation by the purchaser. When heavily worn components are replaced under warranty, the purchaser shall be charged for the time that they have been used.

No compensation will be given for personal injury, stoppage, consequential damage or other losses.

Testing or fault diagnosis at the request of the purchaser will be carried out without charge to the purchaser if defects are established in that connection.

Otherwise the purchaser is charged for all costs.

Temporary repairs or extra costs incurred since work has been done outside ordinary working hours will not be compensated.

EU DECLARATION OF CONFORMITY

(Directive 2006/42/EC, Annex 2A)

ÅLÖ AB

Brännland 300

SE-901 37 Umeå, Sweden

Tel. +46 (0)90 17 05 00

Hereby certifies that:

Attachment models described in this manual, see front, from and including manufacturing month November 2015.

A. manufactured in conformity with the provisions in the COUNCIL DIRECTIVE

dated 17 May 2006 on mutual approximation of the laws of the Member States relating to machinery, 2006/42/EC, with special reference to Annex 1 of the Directive on essential safety and health requirements in relation to the construction and manufacture of machines.

B. manufactured according to the following harmonised standards:

EN ISO 12100:2010, EN ISO 4413:2010, EN 12525:2000+A2 2010.

RISE SMP Svensk Maskinprovning AB, Box 7035, SE-75007 Uppsala, Sweden, has carried out voluntary type examination for ÅLÖ AB. The certificate number is: SEC/09/2051 – hydraulic implements.

The person authorised to compile technical documentation at ÅLÖ AB is Anders Lundgren, Product Development Director.



Umeå 2022-09-01

Niklas Åström

President and Chief Executive Officer (CEO)

UK DECLARATION OF CONFORMITY

(Applies to the UK market)

Address: Manufacturer

ÅLÖ AB

Brännland 300

SE-901 37 Umeå, Sweden

Tel. +46 (0)90 17 05 00

Address: Authorized representative

Alo UK Ltd

Unit 1 Ryelands Business Centre,

Ryelands Lane,

Elmley Lovett,

Droitwich,

Worcestershire

WR9 0PT, UK

Hereby certifies that:

Attachment models described in this document, see front page, from and including manufacturing month November 2015.

- A. manufactured in conformity with the provisions in the Supply of Machinery (Safety) Regulations 2008,
- B. manufactured according to the following designated standards: BS EN ISO 12100:2010, BS EN ISO 4413:2010, BS EN 12525:2000+A2:2010.

RISE SMP Svensk Maskinprovning AB, Box 7035, SE-75007 Uppsala, Sweden, has carried out voluntary type examination for ÅLÖ AB. The certificate has number: SEC/09/2051 – hydraulic implements.

The person authorized to compile technical documentation at ÅLÖ AB is Anders Lundgren, Executive Vice President R&D.



Umeå 2022-09-01

Niklas Åström

President and Chief Executive Officer (CEO)

8. FÖRORD

8.1. Allmän information



Varning!
Slarvigt eller felaktigt användande kan resultera i allvarliga skador eller dödsfall för föraren eller andra. Följ säkerhetsinstruktionerna.

Denna användarhandbok beskriver handhavande och underhåll av redskapet. Informationen i användarhandboken var korrekt vid tidpunkten för tryckning. Besök din återförsäljare om det är något som du inte förstår i boken.

En användarhandbok levereras med varje redskap för att visa föraren hur redskapet ska hanteras och underhållas. Läs och använd informationen för att kunna använda redskapet på ett säkert sätt i kombination med kort stilleståndstid. Detta redskap är konstruerat med enkel service i åtanke och den kan underhållas med normala handverktyg.

Läs och studera texten i användarhandboken grundligt innan du börjar använda redskapet. Om du är en oerfaren förare, studera användarhandboken och be erfarna förare informera dig. Din återförsäljare kan hjälpa dig genom att lära ut handhavande och lämpliga arbetsmetoder. Låt denna användarhandbok vara enkelt tillgänglig, företrädesvis inne i traktorn. Skaffa en ny användarhandbok om den gamla boken skadas eller försvinner.

Läs också lastarens användarhandbok, den innehåller viktig information för din säkerhet.



Försiktighet!
Läs igenom hela användarhandboken innan du börjar använda produkten.

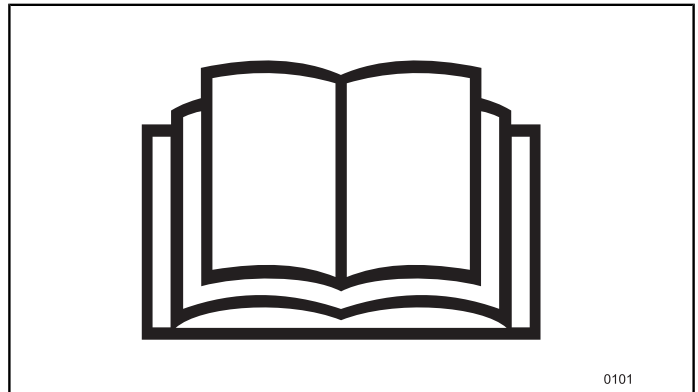
Vi förbehåller oss rätten att när som helst införa förändringar gällande utformning och specifikationer, eller förbättringar, utan föregående meddelande eller förpliktelser.

Fyll i informationen från redskapets maskinskylt och ange alltid detta vid kontakten med din återförsäljare.

Skylden anger:


Produkt, typ, referens- och serienummer och vikt.

Ange alltid: Produkt (A), Typ (B) och serienummer (C) vid servicefrågor eller reservdelsbehov.




Figur 29 Läs igenom hela användarhandboken innan du börjar använda produkten.

Produktinformation



Product	
Type	
Ref. No.	
Serial No.	
Date	
Weight	
Manufacturer	
Reseller information	

Figur 30 Produktinformation

 Made by ATÖ AB Umeå Sweden Made in xxxxxxxx	Product xxxxxxxxxxxxxxxxxxxxxxxxxxxxxxxx	Ref. No. xxxxxxxxx Serial No. / Year xxxxxxxxx xxxxx	A B C
	Type xxxxxxxxxxxxxxxxxxxxxxxxxxxxxxxx xxxxxxxxxxxxxxxxxxxxxxxxxxxxxxxx		

Figur 31 Maskinskylt.

9. SÄKERHETSINSTRUKTIONER

9.1. Allmän information

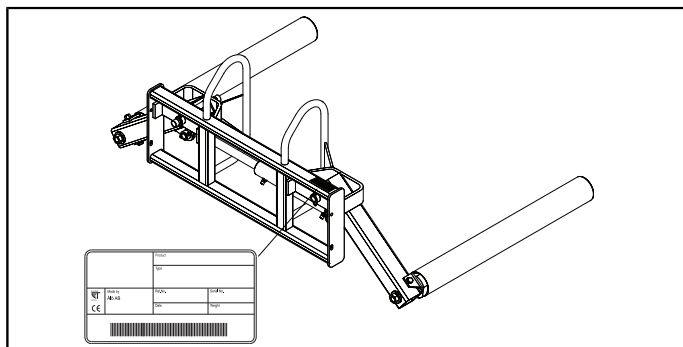
Förarens säkerhet är en av de viktigaste angelägenheterna vid konstruktion av ett nytt redskap. Konstruktörer bygger in så många säkerhetsfunktioner som möjligt. Varje år sker flera olyckor som kan undvikas med några sekunders eftertanke samt en försiktigare manövrering av redskapet.

Undvik personskador. Läs följande instruktioner gällande personsäkerhet och insistera på att de personer som arbetar med eller för dig också följer instruktionerna.

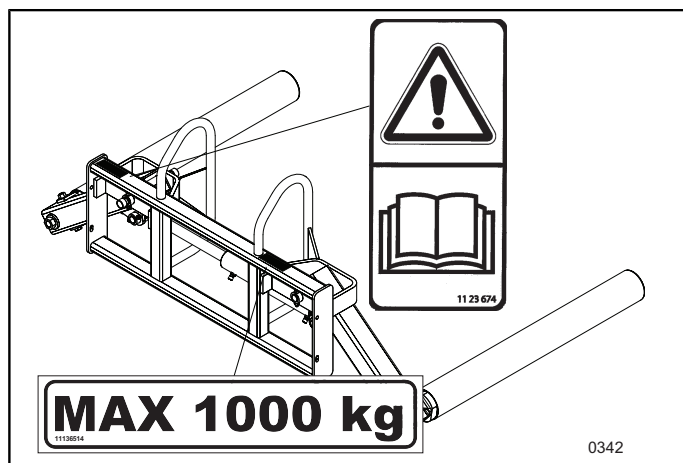
9.1.1. Varningsdekal

Varningsdekal är monterade på olika platser på redskapet. Lokalisera, läs och ta reda på vad dekalerna betyder innan lastare och redskap används.

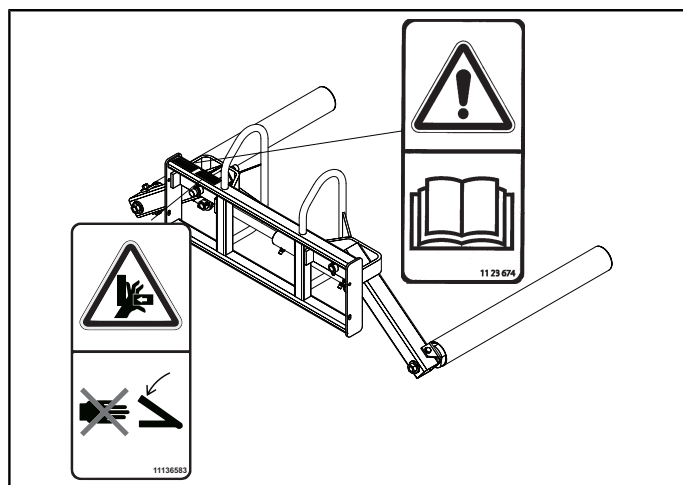
- Täck inte över eller avlägsna någon varningsdekal. Om en varningsdekal saknas eller är oläsbar, ersätt den med en ny dekal. Nya varningsdekal finns hos din återförsäljare.



Figur 32 Placering av maskinskylt.



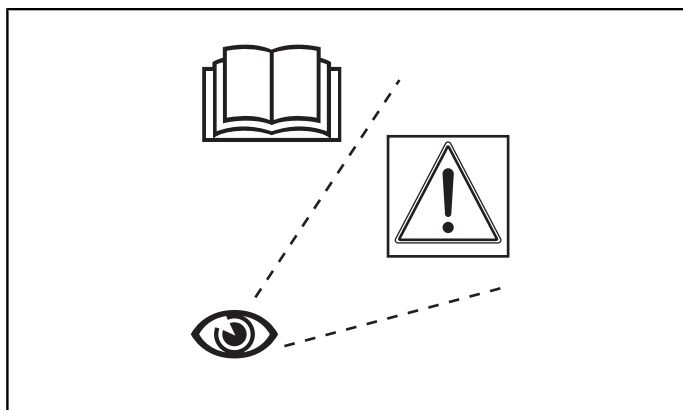
Figur 33 Placering av varningsdekal



Figur 34 Placering av varningsdekal (Nordamerika).

9.2. Förklaring av varningsnivåer

När du ser säkerhetssymbolen och signalord på dekalerna eller i användarhandboken, MÅSTE instruktionerna följas eftersom de har samband med din egen personliga säkerhet.



Figur 35 Lokalisera, läs och ta rätt på vad dekalerna betyder innan lastaren och redskapet används.

9.2.1. Symbolförklaring

Säkerhetssymbol. Information i samband med denna symbol gäller din personliga säkerhet och måste följas.



Fara!

Anger en omedelbart farlig situation som om den inte undviks kommer att leda till dödsfall eller allvarlig personskada. (North America)



Varning!

Anger att en olycka kan komma att inträffa om föreskriften ej följs. Olyckan kan leda till allvarlig personskada eller dödsfall.



Försiktighet!

Anger att en olycka kan komma att inträffa om föreskriften ej följs. Olyckan kan leda till personskada.

Följande text och instruktioner gäller inte personsäkerhet men används genomgående i användarhandboken för att ge ytterligare tips vid handhavande eller service av redskapet.

Viktigt! Anger att en olycka kan komma att inträffa om föreskriften ej följs. Olyckan kan leda till skada på egendom, process eller omgivning.

Anm. Anger extra information som kan underlätta förståelse eller utförande av ett visst moment.

9.3. Arbetsledning och brukare

9.3.1. Ansvar



Försiktighet!

Förvara alltid denna användarhandbok samt traktorns egen användarhandbok i traktorn.

- Finns ingen användarhandbok till traktorn, införskaffa en sådan från återförsäljaren innan du monterar och använder lastaren och redskapet.
- Läs igenom allt material noggrant och lär dig använda utrustningen på ett säkert och korrekt sätt.



Figur 36 Säkerhetssymbol.

! Varning!
Använd **INTE** lastaren eller redskapet som arbetsplattform.

! Varning!
Använd redskapet endast för avsett användningsområde.

! Varning!
Greppa ej objekt som väsentligt förskjuter tyngdpunkten utåt. Kan leda till instabilitet.

! Varning!
Använd **INTE** lastaren till att lyfta eller transportera personer.

- Låt endast kvalificerade personer köra maskinen.

! Varning!
Kontrollera alltid omgivningen runt maskinen och se till att alla individer, speciellt barn och djur har flyttat sig innan maskinen startas eller körs iväg.

Eventuellt kan du inte höra varningsrop från personer utanför när du sitter inne i hytten med stängd dörr.

! Fara!
För att förhindra allvarlig kläm- och krosskada som kan leda till dödsfall: Se till att individer och föremål är på behörigt avstånd medan redskapet används.

Lär känna arbetsområdet och terrängen. Var uppmärksam på fri höjd och begränsningar som uppstår av den ökade räckvidden.



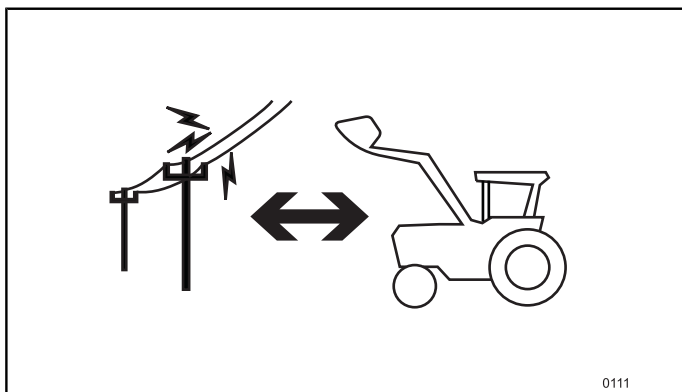
Figur 37 Använd **INTE** lastaren eller redskapet som arbetsplattform.



Figur 38 Använd **INTE** lastaren eller redskapet till att lyfta eller transportera personer.



Figur 39 Före start, se till att inga individer finns i maskinens närhet.



Figur 40 Lär känna arbetsområdet före start. Håll avstånd till elledningar och andra hinder.

! Varning!
Titta alltid på redskapet. Föremål kan falla framför traktorn eller rulla bakåt på föraren när lastaren höjs. Lyft endast föremål som är avsedda för redskapet.

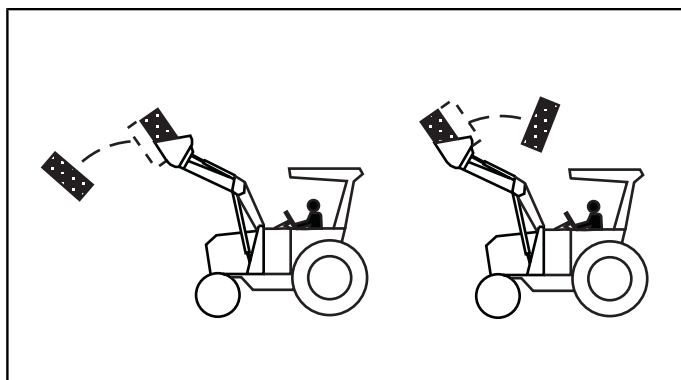
! Varning!
Titta alltid på redskapet. Föremål kan falla ur vid transport. Transportera endast föremål som är avsedda för redskapet.

! Varning!
Stå aldrig mellan traktorns front och lastarens tvärrör.

! Varning!
Kross- och klämrisk.
Lastaren kan falla ned.
Sänk lastaren/redskapet till marken innan smörjning påbörjas.

! Varning!
Kontrollera vid montering av slangarna att slanglängden räcker till och att de ej kommer i kläm mellan redskapsfäste, lastarm eller länkar - justera ev. kopplingarna.

! Varning!
Trycksatt olja.
Hydraulolja med högt tryck kan injiceras i kroppen vid läckage och orsaka allvarliga skador, blindhet eller dödsfall. Läckaget kan vara osynligt.
Använd godkända skyddsglasögon och skydda huden med exempelvis kraftiga läderhandskar. Använd kartong eller trä vid sökning efter läckor. Om vätska har trängt in i huden MÅSTE den avlägsnas inom ett par timmar av läkare som kan behandla denna typ av skador.



Figur 41 Titta alltid på redskapet. Föremål kan falla framför traktorn eller rulla bakåt på föraren när lastaren höjs.



Figur 42 Stå aldrig mellan traktorns front och lastarens tvärrör.



Figur 43 Använd ALDRIG fingrar eller händer vid läckagesökning.

10. BESKRIVNING

10.1. Definitioner

10.1.1. Tredje hydraulfunktion

Extra hydraulfunktion för manövrering av redskapets hydraulik och redskapslås.

10.1.2. ErgoDrive / ErgoDrive LCS

Monteringsssatsen innehåller mekanisk manöverventil och mekaniskt manöverreglage samt hydraulanslutning för angiven traktormodell.

10.1.3. ElectroDrive CDC / ElectroDrive LCS / EasyDrive LCS

Monteringsssats som ovanstående men med elektrisk manöverventil och elektriskt manöverreglage.

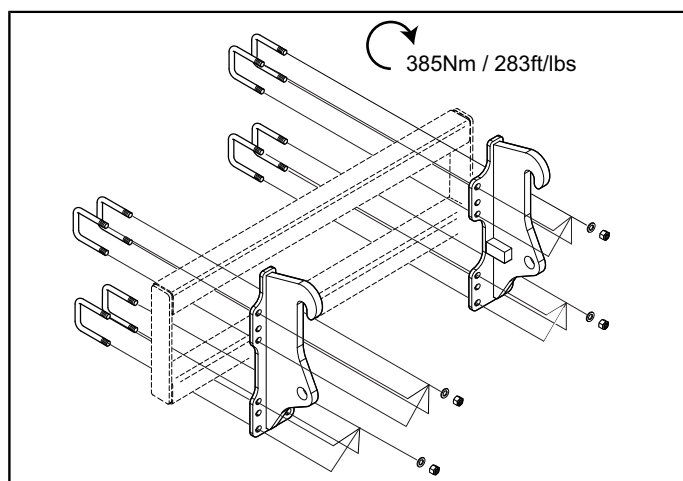
10.1.4. Slangats

Slangar och hydraulkomponenter för anslutning av lastaren till traktorns originalventil.

10.2. Redskapsfästen

Redskapet kan utrustas med olika typer av redskapskrokar, beroende på lastarens/basmaskinens infästning. Det finns olika fästsystem för krokarna; svetsade eller olika alternativ av bultbara system. För information om vilka redskapskrokar som finns tillgängliga kontakta Ålö AB. Var noggrann med att redskapskroken är kompatibel med lastarens/basmaskinens infästningssystem. **Improvisera eller anpassa aldrig!**

Säkerställ att låsning av redskap sker korrekt utifrån lastarens/basmaskinens och redskapsfästets aktuella instruktioner innan användning.



Figur 44 Redskapet kan utrustas med olika typer av redskapskrokar.

11. KÖRINSTRUKTIONER

11.1. Användningsområden

11.1.1. Avsedd användning

Redskapet är försett med två rullar som används för att bära materialet. Transportera materialet så lågt som möjligt. Huvudsakligt användningsområde är hantering av:

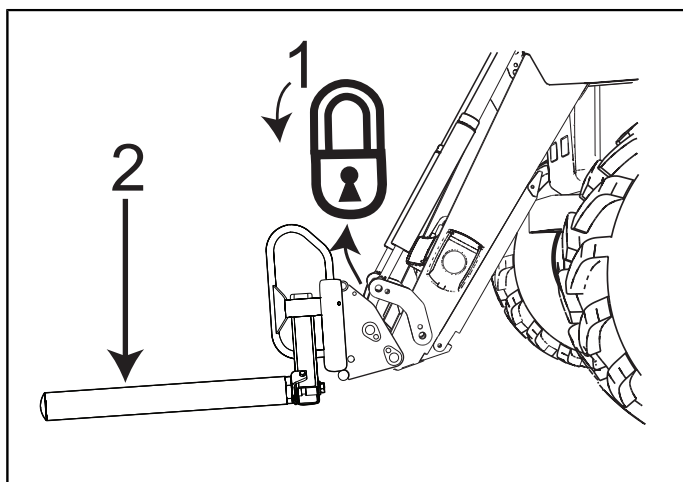
- fyrkantbalar
- rundbalar

Sänk lastaren så lågt som möjligt under färd. Kom ihåg att ju högre lastaren är lyft, desto högre blir tyngdpunkten och därmed blir risken för att traktorn ska välta också större.

11.2. Att göra innan användning av redskapet

Kontrollera med försiktighet att:

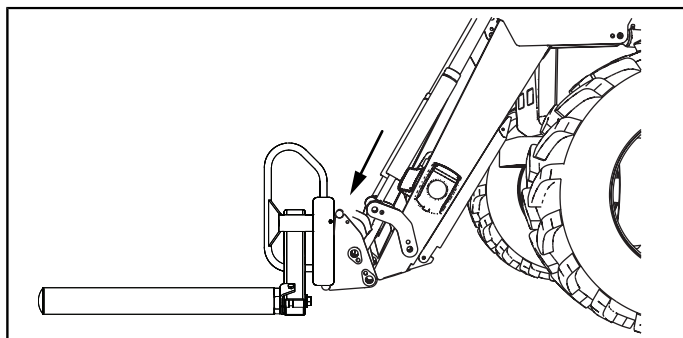
1. Slang ansluten till cylinderns (+) sida har röd markering och att redskapet rör sig enligt beskrivning av öppna/stänga.
2. Inga hydrauloljeläckage förekommer.
3. Redskapet är korrekt monterat i redskapsfästet och att tapparna är i låst läge. Pressa redskapets spets mot marken (1) för att kontrollera att redskapet sitter fast (2).



Figur 45 Kontrollera att redskap sitter fast genom att pressa dess spets mot marken.

4. Ingen kollisionsrisk mellan lastare och redskap föreligger (se bild).
5. Smörj redskapet enligt 12. Smörjning och underhåll.

Se även Till- och frångkoppling av redskap i lastarens användarhandbok.



Figur 46 Kontrollera med försiktighet att ingen kollisionsrisk mellan lastare och redskap föreligger.

**Varning!**

Stå, gå eller arbeta **INTE** under eller vid en upplyft lastare. Se till att hålla alla individer, framför allt barn, och djur borta från arbetsområdet.



0106

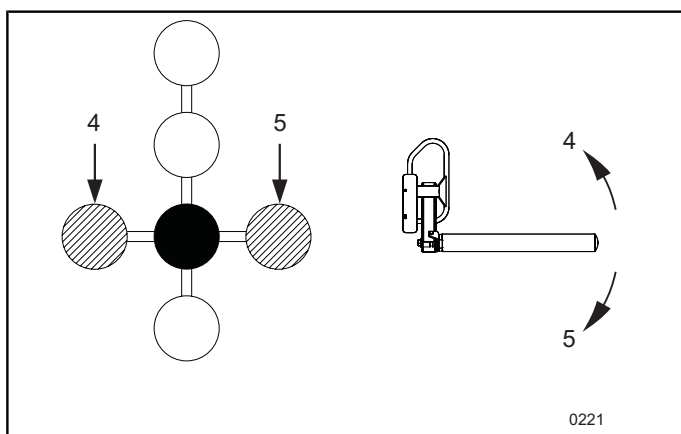
Figur 47 Stå, gå eller arbeta **INTE** under en upplyft lastare.

11.2.1. Tömma/bryta upp redskap

Högermontage: För spaken åt vänster (4), för att bryta upp redskapet.

För spaken åt höger (5), för att tömma redskapet.

Anm. Vid vänstermontage blir rörelserna omvända (gäller inte EasyDrive LCS och ElectroDrive LCS som bara finns högermonterad).



0221

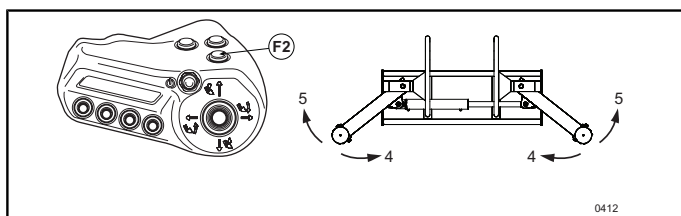
Figur 48 Tömma/bryta upp redskap

11.2.2. Öppna/stänga redskapet - EasyDrive LCS och ElectroDrive LCS

För att öppna och stänga redskapet används den tredje hydrauliska funktionen som styrs med strömbrytare F2.

När spaken förs till höger (5) öppnas redskapet och när den förs till vänster (4) stängs redskapet (högermontage).

När strömbrytaren för den tredje hydraulfunktionen släpps, återgår reglaget omgående till töm/brytffunktion.



0412

Figur 49 Öppna/stänga redskapet - EasyDrive LCS och ElectroDrive LCS

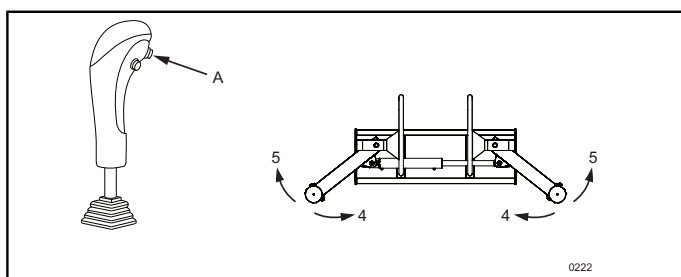
11.2.3. Öppna/stänga redskapet - ErgoDrive LCS/ErgoDrive

För att öppna och stänga redskapet används den tredje hydrauliska funktionen som styrs med en strömbrytare (A) på Joystick-reglagets framsida.

När spaken förs till höger (5) öppnas redskapet och när den förs till vänster (4) stängs redskapet (högermontage).

Vid vänstermontage blir rörelserna omvända.

När strömbrytaren för den tredje hydraulfunktionen släpps, återgår reglaget omgående till töm/brytffunktion.

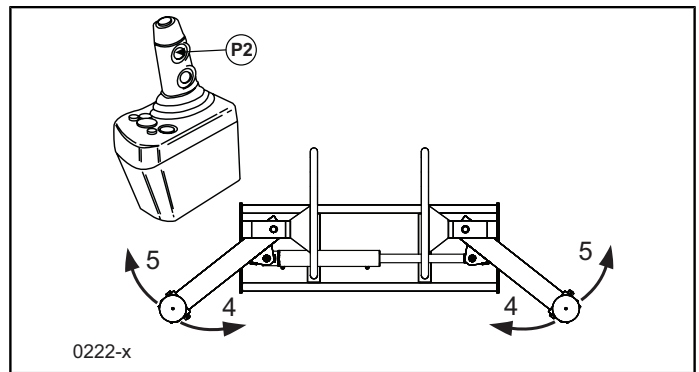


0222

Figur 50 Öppna/stänga redskapet - ErgoDrive LCS/ErgoDrive

11.2.4. Öppna/stänga redskapet - ElectroDrive CDC

För att öppna och stänga redskapet används den tredje hydrauliska funktionen som styrs med strömbrytare P2. När spaken förs till höger (5) öppnas redskapet och när den förs till vänster (4) stängs redskapet (högermontage). Vid vänstermontage blir rörelserna omvända. När strömbrytaren för den tredje hydraulfunktionen släpps, återgår reglaget omgående till töm/brytfunktion.



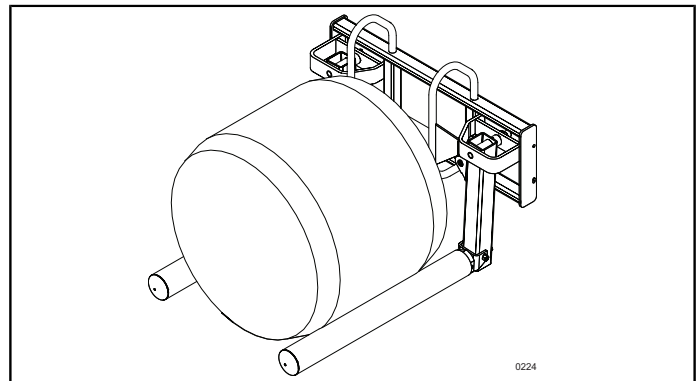
Figur 51 Öppna/stänga redskapet - ElectroDrive CDC

11.2.5. Öppna/stänga redskapet - Slangsats

Slangsats - traktorns Joystick, se traktorns användarhandbok.

11.2.6. Körinstruktion

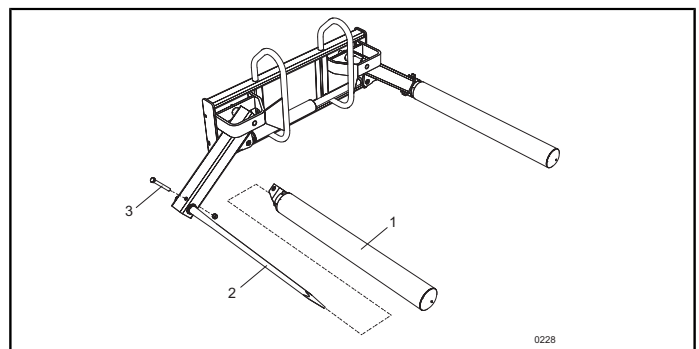
Redskapet är avsett för hantering av rundbalar (max diameter 172 cm) Rullarna minskar risken för att ev. omslag av plast skadas. Se till att rullarna angriper balen så lågt som möjligt (rullarna skall således EJ klämma fast balen).



Figur 52 Körinstruktion

11.2.7. Balspjut

Rullarna (1) är lagrade på pinnen (2). Genom att ta bort skruv (3) kan rullen tas bort. Redskapet kan då användas som balspjut.



Figur 53 Balspjut

11.2.8. Vid avställning

Koppla ifrån redskapet med rullarna så brett ifrån varandra som möjligt men dock inte med cylindern i ändläget - svårigheter kan uppstå p.g.a. övertryck nästa gång snabbkopplingar ska anslutas.

Se även Till- och fränkoppling av redskap i lastarens användarhandbok.

12. SMÖRJNING OCH UNDERHÅLL



Varning!
Stå aldrig mellan traktorns front och lastarens tvärrör.



0106

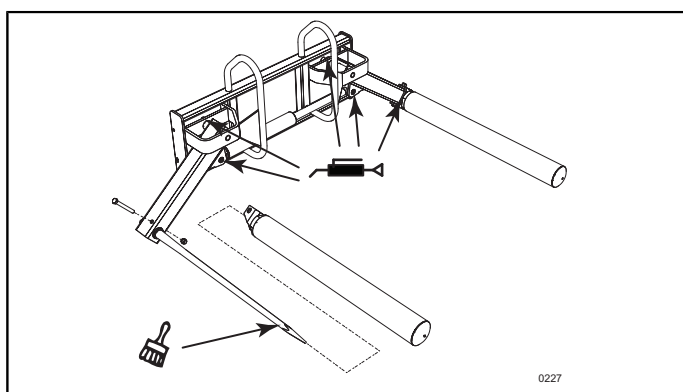
Figur 54 Stå aldrig mellan traktorns front och lastarens tvärrör.

12.1. Smörjpunkter

Smörj följande smörjnipplar med universalfett var 10:e driftstimme.



Varning!
Kross- och klämrisk.
Lastaren kan falla ned.
Sänk redskapet till marken och stäng redskapet innan smörjning påbörjas.



0227

Figur 55 Smörjnipplar vid varje ledtapp på båda sidor av redskapet.

12.2. Förvaring

Anbringa ett tunt lager fett på synliga kolvstänger för att skydda dem.

12.3. Slangar och cylindrar

Läs detta innan hydraulsystemet kontrolleras med avseende på läckage:



Varning!
Trycksatt olja.
Hydraulolja med högt tryck kan injiceras i kroppen vid läckage och orsaka allvarliga skador, blindhet eller dödsfall. Läckaget kan vara osynligt.
Använd godkända skyddsglasögon och skydda huden med exempelvis kraftiga läderhandskar. Använd kartong eller trä vid sökning efter läckor. Om vätska har trängt in i huden MÅSTE den avlägsnas inom ett par timmar av läkare som kan behandla denna typ av skador.



0118a

Figur 56 Använd ALDRIG fingrar eller händer vid läckagesökning.

Kontrollera slangar och anslutningar med jämna mellanrum med avseende på slitage och läckage. Säkerställ att slangarna har tillräckligt spelrum och inte gnider mot andra komponenter. Byt skadade slangar och dra åt alla anslutningar.

Cylindrarna är dubbelverkande. De måste alltid hållas i god kondition för optimal funktion. Läckor, inre eller yttre, påverkar prestandan och kan vara farligt.

För att redskapet ska fungera optimalt krävs ett hydraulsystem som arbetar med högt tryck. Använd endast reservdelar som är godkända av tillverkaren.

12.3.1. Kontroll av hydraulanslutningar

Kontrollera att alla slangar och adaptrar är åtdragna och att de inte läcker.

12.3.2. Reparation av hydraulcylindrar

Demontering, reparation och montering av hydraulcylindrar kräver specialverktyg för att förhindra skador på invändiga komponenter. Vi rekommenderar att en cylinder som ska repareras skickas till en auktoriserad återförsäljare för åtgärder.

13. DATA

Cylinder	65/40
Oljetryck	120 - 200 bar / 12 - 20 Mpa
Balstorlek	120 - 172 cm
Max last	1000 kg
Max avstånd mellan rullar	172 cm
Vikt	175 kg

13.1. Rekommendationstabell

Quicke / Trima

Loader	Q3	Q3S	Q3M	Q3L	Q4	Q4S	Q4M	Q4L	Q5	Q5S	Q5M	Q5L
Flexibal	1	1	1	1	1	1	1	1	1	1	1	1

Loader	Q6	Q6S	Q6M	Q6L	Q7	Q7S	Q7M	Q7L	Q8M
Flexibal	1	1	1	1	1	1	1	1	1

Loader	X1	X1S	X2	X2S	X3	X3S	X4	X4S	X5	X5S
Flexibal	2	2	2	1	2	1	2	1	2	1

1

Rekommenderad kombination

2

Ej rekommenderad kombination



Försiktighet!

Som operatör av teleskoplastare eller midjestyrd maskin måste god kännedom om den hanterade/ framförda lasten innehas, som dess vikt och tyngdpunkt. Var uppmärksam på att lastens tyngdpunkt kan förskjuta basmaskinens totala tyngdpunkt och därmed riskera instabilitet, vilket kan leda till skador på maskin, operatör och/eller egendom eller personer i omgivningen.

Viktigt! Rekommendationer för hjullastare och andra midjestyrd maskiner utgår från basmaskinens tippplast. Var medveten om att midjestyrd maskiner blir instabila vid vårdslöst framförande, främst vid sväng, var försiktig!

Viktigt! Känn LAST och BASMASKIN väl! Läs noggrant igenom basmaskinens manual och beakta dess begränsningar innan framförande.

14. GARANTIBESTÄMMELSER

ÅLÖ AB förbinder sig att under en period av 12 (tolv) månader från den dag lastaren / utrustningen levererats till köparen, utbyta eller reparera delar som p.g.a. fel i material eller tillverkningsarbete behöver åtgärdas. Detta under förutsättning att felet omedelbart anmäles till leverantören, samt att den felaktiga lastaren / detaljen fritt ställes till dennes förfogande.

För delar som utbyts gäller garantin endast under den återstående garantitiden.

Garantin omfattar icke fel förorsakade av olyckshändelse, bristfälligt underhåll, ändring, eller felaktig montering från köparens sida. Vid garantiutbyte av delar som är utsatta för särskilt stort slitage skall köparen erlagga ersättning för den tid de använts

Ersättning utgår icke för personskador, stillestånd, följskador, eller andra förluster.

Test eller felsökning som görs på begäran av köparen utföres utan kostnad för köparen om därvid bristfälligheter konstateras.

I annat fall debiteras köparen samtliga kostnader.

Tillfälliga reparationer eller merkostnader p.g.a. att arbetet utföres på icke ordinarie arbetstid ersättes icke.

EG-FÖRSÄKRAN OM ÖVERENSSTÄMMELSE

(Direktiv 2006/42/EG, Annex 2A)

ÅLÖ AB

Brännland 300

SE-901 37 Umeå, Sverige

Tel. +46 (0)90 17 05 00

Försäkrar härmed att:

Redskapsmodeller som beskrivs i denna bok, se framsida, fr o m tillverkningsmånad november 2015.

A. är tillverkade i överensstämmelse med RÅDETS DIREKTIV:

- av den 17 maj 2006 angående inbördes närmande av medlemsstaternas lagstiftning rörande maskiner, 2006/42/EG, med särskild hänvisning till direktivets Annex 1 om väsentliga hälso- och säkerhetskrav i samband med konstruktion och tillverkning av maskiner.

B. är tillverkad i överensstämmelse med följande harmoniserade standarder:

EN ISO 12100:2010, EN ISO 4413:2010, EN 12525:2000+A2 2010.

RISE SMP Svensk Maskinprovning AB, Box 7035, SE-75007 Uppsala, Sverige, har utfört frivillig typkontroll åt ÅLÖ AB. Certifikatet har nummer: SEC/09/2051 – hydrauliska redskap.

Behörig person att ställa samman den tekniska dokumentationen inom ÅLÖ AB är Anders Lundgren, Produktutvecklingsdirektör.



Umeå 2022-09-01

Niklas Åström

VD

UK DECLARATION OF CONFORMITY 

(Gäller för marknaden i Storbritannien)

Address: Manufacturer

ÅLÖ AB

Brännland 300

SE-901 37 Umeå, Sweden

Tel. +46 (0)90 17 05 00

Address: Authorized representative

Alo UK Ltd

Unit 1 Ryelands Business Centre,

Ryelands Lane,

Elmley Lovett,

Droitwich,

Worcestershire

WR9 0PT, UK

Hereby certifies that:

Attachment models described in this document, see front page, from and including manufacturing month November 2015.

- A. manufactured in conformity with the provisions in the Supply of Machinery (Safety) Regulations 2008,
- B. manufactured according to the following designated standards: BS EN ISO 12100:2010, BS EN ISO 4413:2010, BS EN 12525:2000+A2:2010.

RISE SMP Svensk Maskinprovning AB, Box 7035, SE-75007 Uppsala, Sweden, has carried out voluntary type examination for ÅLÖ AB. The certificate has number: SEC/09/2051 – hydraulic implements.

The person authorized to compile technical documentation at ÅLÖ AB is Anders Lundgren, Executive Vice President R&D.



Umeå 2022-09-01

Niklas Åström

President and Chief Executive Officer (CEO)

15. VORWORT

15.1. Allgemeine Informationen



Achtung!
Fahrlässige oder falsche Anwendung kann schwere oder tödliche Verletzungen des Fahrers und anderer Personen verursachen. Beachten Sie die Sicherheitsanweisungen!

In diesem Dokument werden Bedienung und Wartung des Geräts beschrieben. Die Angaben in der Bedienungsanleitung waren zum Zeitpunkt der Drucklegung korrekt. Wenden Sie sich bei Fragen zur Bedienungsanleitung an Ihren Händler.

Zu jedem Anbaugerät wird ein Benutzerhandbuch mitgeliefert, in dem die Bedienung und die Wartung des Geräts beschrieben sind. Lesen und benutzen Sie die Informationen, um das Gerät mit Sicherheit und kurzen Stillstandszeiten einsetzen zu können. Das Gerät ermöglicht eine einfache Instandhaltung und Wartung mit herkömmlichen Handwerkzeugen.

Die Bedienungsanleitung ist sorgfältig zu lesen und genau zu verstehen, bevor mit dem Gerät gearbeitet wird. Unerfahrene Fahrer sollten die Bedienungsanleitung besonders sorgfältig lesen und sich von erfahrenem Personal helfen lassen. Ihr Händler kann Ihnen auch bei der Bedienung helfen und Ihnen wertvolle Tipps zu den geeigneten Arbeitsmethoden geben. Diese Bedienungsanleitung sollte jederzeit griffbereit sein, möglichst im Inneren des Traktors. Besorgen Sie eine neue Bedienungsanleitung, wenn die alte beschädigt wurde oder abhanden gekommen ist.

Lesen Sie auch die Betriebsanleitung des Laders, sie enthält wichtige Informationen für Ihre Sicherheit.



Vorsicht!
Lesen Sie die gesamte Betriebsanleitung durch, bevor Sie das Produkt einsetzen.

Wir behalten uns vor, ohne vorherige Ankündigung oder irgendwelche Verpflichtungen jederzeit Änderungen an Konstruktion oder Daten sowie Verbesserungen vorzunehmen.

Tragen Sie die Informationen vom Typenschild des Geräts ein und geben Sie diese bei einem Kontakt mit Ihrem Händler stets an.

Daten auf dem Schild:

Produkt, Typ, Referenz- und Seriennummer, Gewicht.

Immer anzugeben: Produkt (A), Typ (B) und Seriennummer (C) bei Servicefragen oder Ersatzteilbedarf.

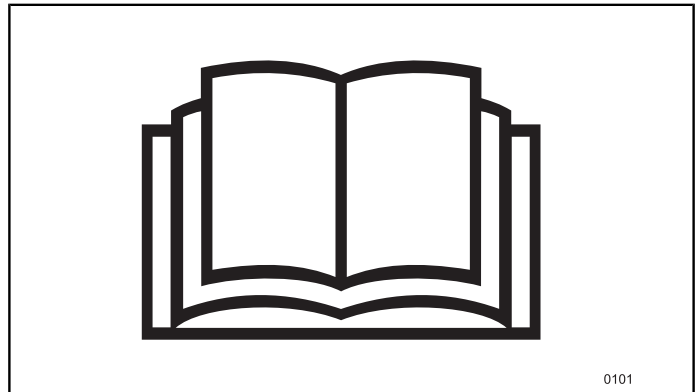


Abbildung 57 Lesen Sie die gesamte Betriebsanleitung durch, bevor Sie das Produkt einsetzen.

Produktinformationen

Product	
Type	
Ref. No.	
Serial No.	
Date	
Weight	
Manufacturer	
Reseller information	

Abbildung 58 Produktinformationen

	Product	XXXXXXXXXXXXXXXXXXXXXXXXXXXX	A	
	Type	XXXXXXXXXXXXXXXXXXXXXXXXXXXX		B
Made by A10 AB Umeå Sweden Made in xxxxxxxx	Ref.No.	XXXXXXXXXX	C	
	Serial No. / Year	XXXXXXXXXX XXXX		
	kit no.	XXXXXXXXXX	Weight	XXXXXX kg

Abbildung 59 Typenschild.

16. SICHERHEITSANWEISUNGEN

16.1. Allgemeine Informationen

Die Sicherheit des Fahrers zählt zu den wichtigsten Aspekten bei der Konstruktion eines neuen Geräts. Unsere Konstrukteure integrieren möglichst viele Sicherheitsfunktionen. Jedes Jahr geschehen mehrere Unfälle, die sich durch kurzes Nachdenken und vorsichtigere Gerätebedienung vermeiden lassen.

Verletzungen sind unbedingt zu vermeiden! Lesen Sie die folgenden Anweisungen zur Personensicherheit sorgfältig durch und bestehen Sie darauf, dass die mit Ihnen oder für Sie arbeitenden Personen diese ebenfalls einhalten.

16.1.1. Warnschilder

An mehreren Stellen des Geräts befinden sich Warnschilder. Lesen Sie die Schilder und machen Sie sich ihre Bedeutung klar, bevor Sie Lader und Gerät verwenden.

- Warnschilder dürfen nicht überdeckt oder entfernt werden. Wenn ein Warnschilder fehlt oder unleserlich ist, muss es durch ein neues ersetzt werden. Neue Warnschilder hält Ihr Händler für Sie bereit.

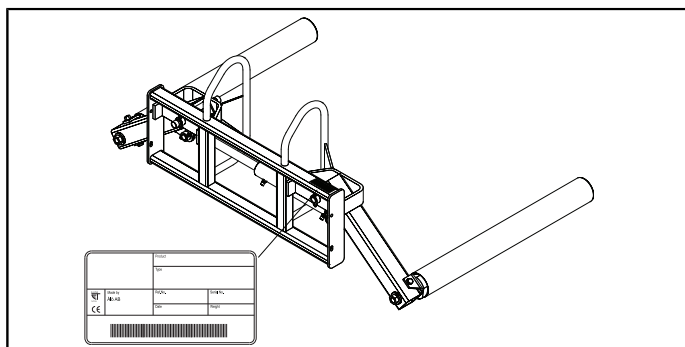


Abbildung 60 Platzierung des Maschinenschildes.

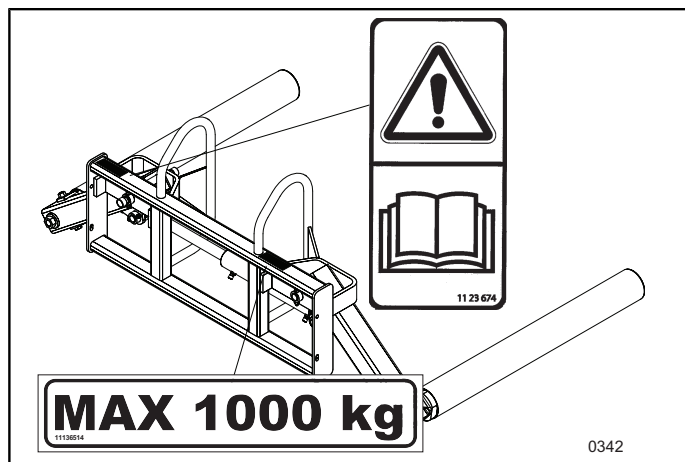


Abbildung 61 Anbringung der Warnschilder

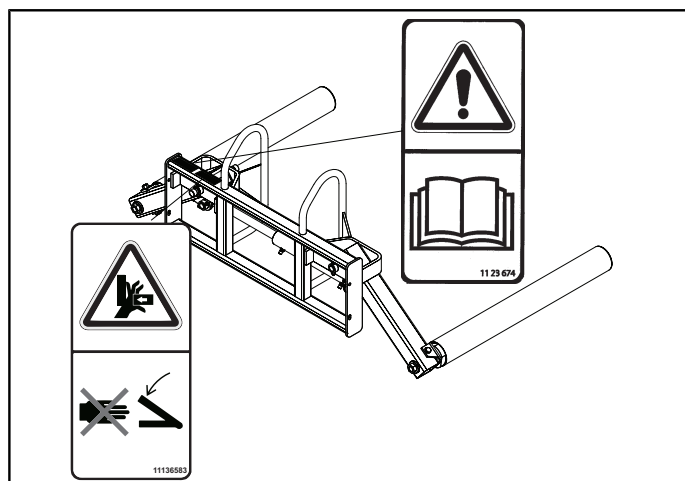


Abbildung 62 Anbringung der Warnschilder (Nordamerika).

16.2. Erklärung der Warnstufen

Sicherheitssymbole und Hinweise auf Schildern oder in der Bedienungsanleitung sind UNBEDINGT zu beachten, weil davon Ihre persönliche Sicherheit abhängt.

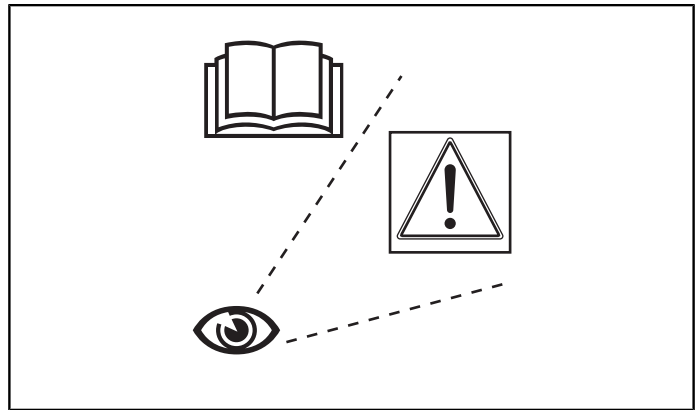


Abbildung 63 Vor der Benutzung von Lader und Gerät sind die Schilder zu suchen, zu lesen und zu verstehen.

16.2.1. Symbolerklärung

Sicherheitssymbol Informationen in Verbindung mit diesem Symbol beziehen sich auf Ihre persönliche Sicherheit und sind zu beachten.



Gefahr!

Bezeichnet eine unmittelbar gefährliche Situation, die zu ernsthaften Verletzungen oder Todesfällen führen kann, wenn sie nicht vermieden wird. (Nordamerika)



Achtung!

Hiermit wird darauf hingewiesen, dass sich ein Unfall ereignen kann, wenn die Vorschriften nicht befolgt werden. Ein solcher Unfall kann zu ernsthaften Verletzungen oder Todesfällen führen.



Vorsicht!

Hiermit wird darauf hingewiesen, dass sich ein Unfall ereignen kann, wenn die Vorschriften nicht befolgt werden. Ein solcher Unfall kann zu Verletzungen führen.



Abbildung 64 Sicherheitssymbol

Die folgenden Texte und Anweisungen beziehen sich nicht auf die Personensicherheit, sondern dienen in dieser Bedienungsanleitung durchgehend als zusätzliche Tipps für Bedienung oder Wartung des Geräts.

Wichtig! Hiermit wird darauf hingewiesen, dass sich ein Unfall ereignen kann, wenn die Vorschriften nicht befolgt werden. Ein solcher Unfall kann zu Schäden an Gegenständen, in Prozessanlagen oder im Umfeld führen.

Hinweis: Hiermit wird auf zusätzliche Informationen hingewiesen, die das Verständnis oder die Durchführung eines bestimmten Ablaufs erleichtern können.

16.3. Arbeitsleitung und Bediener

16.3.1. Verantwortung



Vorsicht!

Diese Bedienungsanleitung ist zusammen mit der eigenen Betriebsanleitung des Traktors im Traktor mitzuführen.

- Falls Sie keine Betriebsanleitung für den Traktor besitzen, beschaffen Sie sich ein Exemplar bei Ihrem Händler, bevor Sie den Lader und das Gerät montieren sowie benutzen.
- Alle Unterlagen sorgfältig lesen und den Umgang mit der Ausrüstung auf sichere und korrekte Weise erlernen.



Achtung!

Benutzen Sie den Lader oder das Gerät **NICHT** als Arbeitsplattform.



Achtung!

Benutzen Sie das Gerät nur für den vorgesehenen Zweck.



Achtung!

Nehmen Sie keine Lasten auf, die den Schwerpunkt wesentlich nach außen verlagern. Dies kann zu Instabilitäten führen.



Achtung!

Den Lader **NICHT** zum Anheben oder Transport von Personen verwenden.

- Die Maschine darf nur von qualifiziertem Personal bedient werden.



Achtung!

Kontrollieren Sie stets das Umfeld der Maschine und sorgen Sie dafür, dass alle Personen den Bereich verlassen, bevor Sie die Maschine starten und losfahren.

Wenn Sie bei geschlossener Tür in der Kabine sitzen, ist es möglich, dass Sie Warnrufe von Personen außerhalb nicht hören.



Gefahr!

Um ernsthafte Verletzungen durch Einklemmen oder Quetschungen, die zum Tod führen können, zu vermeiden: Achten Sie darauf, dass sich Personen und Gegenstände während des Betriebs des Geräts in ausreichendem Abstand befinden.



0120

Abbildung 65 Benutzen Sie den Lader oder das Gerät **NICHT** als Arbeitsplattform.



0103

Abbildung 66 Verwenden Sie den Lader oder das Gerät **NICHT** zum Heben oder Transport von Personen.



0102

Abbildung 67 Stellen Sie vor dem Start sicher, dass sich niemand in Maschinennähe aufhält.

Lernen Sie den Arbeitsplatz und das Gelände kennen.
Achten Sie auf die freie Höhe und auf Einschränkungen
aufgrund der größeren Reichweite.

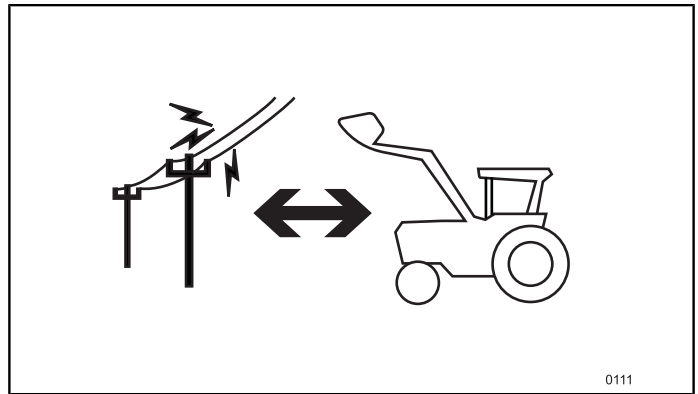


Abbildung 68 Machen Sie sich vor dem Start mit dem Arbeitsplatz vertraut. Halten Sie einen sicheren Abstand zu Stromleitungen u.a. Hindernissen.

! **Achtung!**
Behalten Sie stets das Gerät im Auge.
Gegenstände können vor den Traktor fallen oder
nach hinten auf den Fahrer rollen, wenn der
Lader angehoben wird. Nur Lasten heben, die für
das Gerät ausgelegt sind.

! **Achtung!**
Behalten Sie stets das Gerät im Auge. Beim
Transport können Gegenstände herunterfallen.
Nur Lasten transportieren, die für das Gerät
ausgelegt sind.

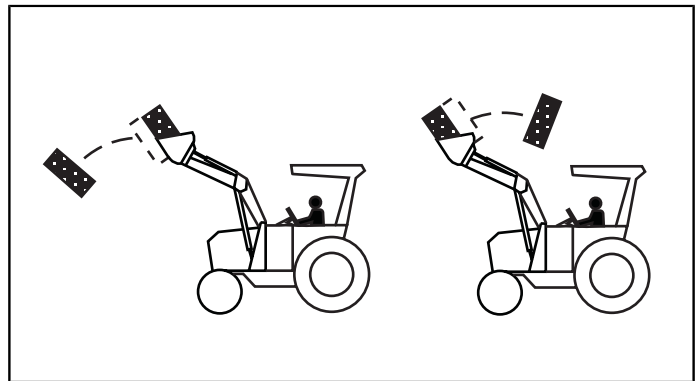


Abbildung 69 Behalten Sie stets das Gerät im Auge.
Gegenstände können vor den Traktor fallen oder nach hinten
auf den Fahrer rollen, wenn der Lader angehoben wird.

! **Achtung!**
Stehen Sie nie zwischen der Front des Traktors
und dem Querträger des Laders.

! **Achtung!**
Quetsch- und Klemmgefahr.
Der Lader kann herunterfallen.
Den Lader/das Gerät vor Beginn der
Schmierarbeiten auf den Boden absenken.

! **Achtung!**
Nachdem Sie die Hydraulikschläuche montiert
haben, prüfen Sie, ob diese lang genug
sind bzw. stellen Sie sicher, dass diese nicht
durch Gerätehalterung, Laderschwinge
oder Gelenke eingeklemmt werden können.
Verändern Sie bei Bedarf die Position der
Schlauchanschlüsse.



Abbildung 70 Stehen Sie nie zwischen der Front des Traktors
und dem Querträger des Laders.

**Achtung!****Unter Druck stehendes Öl.**

Hydrauliköl, das an undichten Stellen unter hohem Druck austritt, kann die Haut durchdringen und schwere Verletzungen, Blindheit oder Todesfälle verursachen. Undichte Stellen sind nicht immer mit bloßem Auge zu erkennen.

Tragen Sie vorschriftsmäßige Schutzbrillen und schützen Sie Ihre Hände durch kräftige Lederhandschuhe o.ä. Verwenden Sie bei der Suche nach undichten Stellen einen Karton oder eine Holzplatte. Falls Flüssigkeit durch die Haut eingedrungen ist, MUSS diese in den nächsten Stunden durch einen Arzt beseitigt werden, der diese Art von Verletzungen zu behandeln weiß.



Abbildung 71 Verwenden Sie bei der Lecksuche **UNTER KEINEN UMSTÄNDEN** Finger oder Hände.

17. BESCHREIBUNG

17.1. Definitionen

17.1.1. 3. Hydraulikfunktion

Zusätzliche Hydraulikfunktion zur Betätigung von Aggregathydraulik.

17.1.2. ErgoDrive/ErgoDrive LCS

Der Montagesatz beinhaltet ein mechanisches Steuerventil und mechanische Bedienelemente sowie einen Hydraulikanschluss für das betreffende Traktormodell.

17.1.3. ElectroDrive CDC/ElectroDrive LCS/EasyDrive LCS

Montagesatz siehe oben, aber mit elektrischem Steuerventil und elektrischen Bedienelementen.

17.1.4. Schlauch-satz

Schläuche und Hydraulikkomponenten zum Anschluss des Laders an die Originalventile des Traktors.

17.2. Gerätehalterungen

Das Gerät kann mit verschiedenen Arten von Gerätehaken ausgerüstet werden, abhängig von der Befestigung des Laders/der Basismaschine. Es gibt verschiedene Befestigungssysteme für die Haken; geschweißt oder mit unterschiedlichen Systemen zur Befestigung mit Bolzen. Kontaktieren Sie Älö AB, um Informationen zu den verschiedenen verfügbaren Gerätehaken zu erhalten. Achten Sie genau darauf, dass der Haken des Geräts mit dem Befestigungssystem der Basismaschine kompatibel ist. **Niemals improvisieren oder Anpassungen vornehmen!**

Stellen Sie vor dem Gebrauch sicher, dass die Befestigung des Geräts ordnungsgemäß entsprechend der für den Lader/ die Basismaschine und die Gerätehalterung geltenden Anweisungen erfolgt.

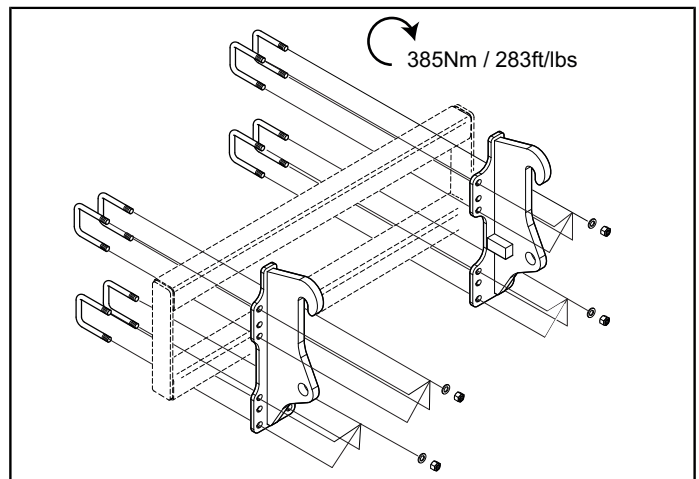


Abbildung 72 Das Gerät kann mit verschiedenen Arten von Gerätehaken ausgerüstet werden.

18. FAHRANWEISUNGEN

18.1. Einsatzbereiche

18.1.1. Verwendungszweck

Das Arbeitsgerät verfügt über zwei Rollen, die das Material tragen. Transportieren Sie das Material so niedrig wie möglich. Das Hauptanwendungsgebiet ist:

- Vierkantballen.
- Rundballen

Während der Fahrt den Lader möglichst tief absenken. Je höher der Lader angehoben wird, desto höher liegt der Schwerpunkt und desto größer ist die Gefahr, dass der Traktor umstürzt.

18.2. Inbetriebnahme des Geräts

Überprüfen Sie sorgfältig, dass

1. Der Schlauch muss an den Pluspol des Zylinders (rote Markierung) angeschlossen werden und das Arbeitsgerät muss sich gemäß der Beschreibung öffnen/schließen.
2. keine Leckage von Hydrauliköl vorkommt,
3. Das Arbeitsgerät ist korrekt in der Halterung montiert und die Bolzen befinden sich in geschlossener Position. Drücken Sie die Spitze des Arbeitsgeräts gegen den Boden (1), um den festen Sitz (2) des Arbeitsgeräts zu kontrollieren.

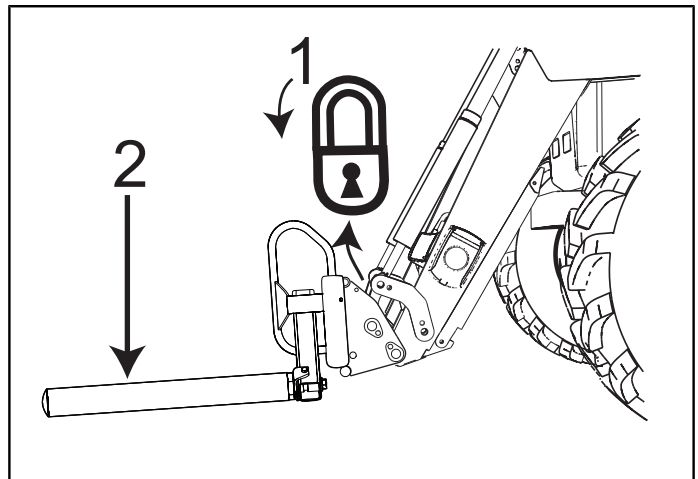


Abbildung 73 Prüfen Sie, ob das Gerät fest sitzt, indem Sie die Spitze auf den Boden drücken.

4. keine Kollisionsgefahr zwischen Lader und Gerät besteht (siehe Abbildung).
5. Schmierung des Geräts gemäß 19. *Schmierung und Wartung*.

Siehe auch unter "An- und Abkuppeln von Geräten" in der Betriebsanleitung des Laders.

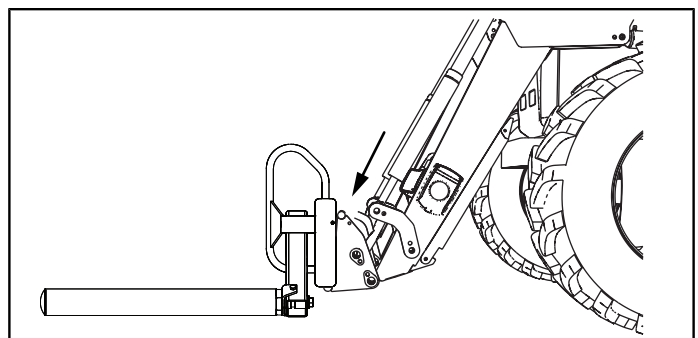


Abbildung 74 Vorsichtig kontrollieren, dass keine Kollisionsgefahr zwischen Lader und Gerät besteht.



Achtung!

Halten Sie sich NICHT unter dem angehobenen Lader auf oder arbeiten Sie unter diesem. Achten Sie darauf, alle Personen, besonders Kinder, und auch Tiere vom Arbeitsbereich fernzuhalten.



0106

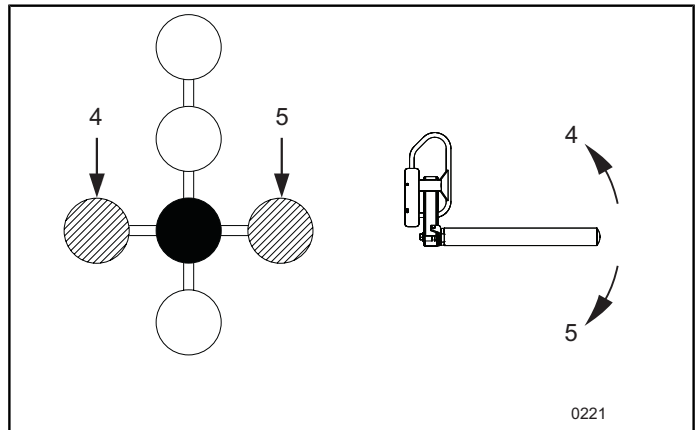
Abbildung 75 Unter einem angehobenen Lader NIE stehen, gehen oder arbeiten.

18.2.1. Gerät ankippen / abkippen

Montage rechts: Den Hebel nach links bewegen (4), um das Gerät anzukippen.

Den Hebel nach rechts (5) führen, um das Gerät auszukippen.

Hinweis: Bei Montage links sind die Bewegungen umgekehrt (ausgenommen EasyDrive LCS und ElectroDrive LCS, die nur rechts montiert lieferbar sind).



0221

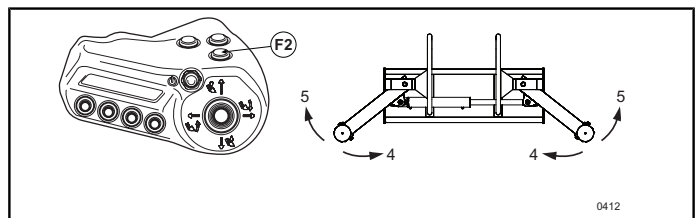
Abbildung 76 Gerät ankippen / abkippen

18.2.2. Gerät öffnen/schließen - EasyDrive LCS und ElectroDrive LCS

Um das Arbeitsgerät zu öffnen und zu schließen, wird die durch den Schalter F2 gesteuerte dritte hydraulische Funktion verwendet.

Wird der Hebel nach rechts (5) bewegt, öffnet sich das Arbeitsgerät. Wird der Hebel nach links (4) bewegt, schließt sich das Arbeitsgerät (Montage rechts).

Lassen Sie den Schalter für die 3. Hydraulikfunktion los, kehrt der Steuerhebel unmittelbar auf Entleerung/ Hochkippen zurück.



0412

Abbildung 77 Gerät öffnen/schließen - EasyDrive LCS und ElectroDrive LCS

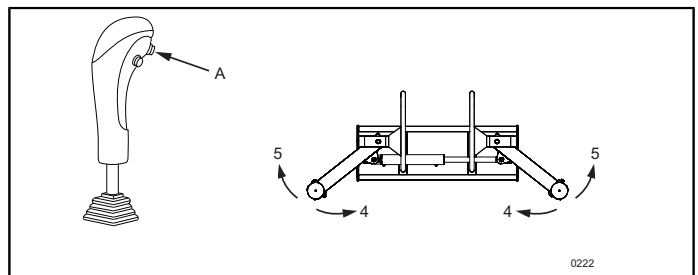
18.2.3. Gerät öffnen/schließen - ErgoDrive LCS/ErgoDrive

Um das Arbeitsgerät zu öffnen und zu schließen, wird die dritte hydraulische Funktion verwendet, die durch einen Schalter (A) auf der Rückseite des Joysticks gesteuert wird.

Wird der Hebel nach rechts (5) bewegt, öffnet sich das Arbeitsgerät. Wird der Hebel nach links (4) bewegt, schließt sich das Arbeitsgerät (Montage rechts).

Bei Montage links sind die Hebelbewegungen umgekehrt.

Lassen Sie den Schalter für die 3. Hydraulikfunktion los, kehrt der Steuerhebel unmittelbar auf Entleerung/ Hochkippen zurück.



0222

Abbildung 78 Gerät öffnen/schließen - ErgoDrive LCS/ ErgoDrive

18.2.4. Gerät öffnen/schließen - ElectroDrive CDC

Um das Arbeitsgerät zu öffnen und zu schließen, wird die durch den Schalter P2 gesteuerte dritte hydraulische Funktion verwendet.

Wird der Hebel nach rechts (5) bewegt, öffnet sich das Arbeitsgerät. Wird der Hebel nach links (4) bewegt, schließt sich das Arbeitsgerät (Montage rechts).

Bei Montage links sind die Hebelbewegungen umgekehrt.

Lassen Sie den Schalter für die 3. Hydraulikfunktion los, kehrt der Steuerhebel unmittelbar auf Entleerung/Hochkippen zurück.

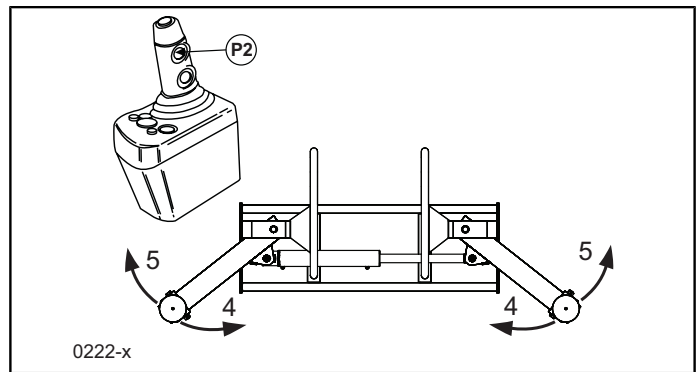


Abbildung 79 Gerät öffnen/schließen - ElectroDrive CDC

18.2.5. Gerät öffnen/schließen - Schlauchsatz

Schlauchsatz - Steuerhebel des Traktors, siehe Betriebsanleitung des Traktors.

18.2.6. Fahranweisung

Das Arbeitsgerät ist für die Bearbeitung von Rundballen bestimmt (max. Durchmesser 172 cm). Die Rollen verringern das Risiko, dass eventuell vorhandene Plastikhüllen beschädigt werden. Achten Sie darauf, dass die Rollen die Ballen so niedrig wie möglich aufnehmen (die Rollen dürfen die Ballen NICHT festklemmen).

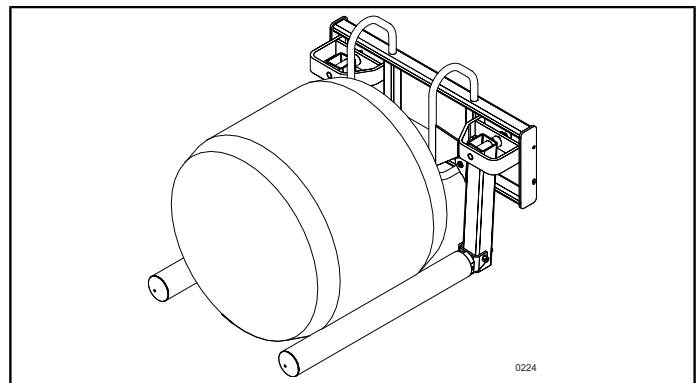


Abbildung 80 Fahranweisung

18.2.7. Ballenspieß

Die Rollen (1) sind auf Stiften (2) gelagert. Durch das Entfernen der Schraube (3) kann die Rolle abgenommen werden. Das Arbeitsgerät kann dann als Ballenspieß verwendet werden.

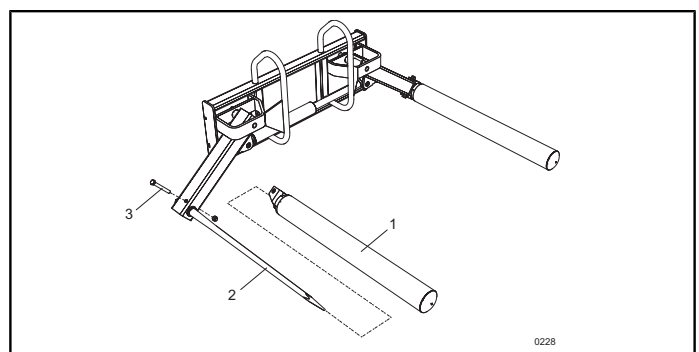


Abbildung 81 Ballenspieß

18.2.8. Abstellung

Koppeln Sie das Arbeitsgerät ab. Dabei sollten sich die Rollen so weit wie möglich voneinander entfernt befinden, aber die Zylinder dürfen nicht in der Endposition sein. Dadurch könnten durch Überdruck Probleme entstehen, wenn das Schnellwechslersystem das nächste Mal verwendet wird.

Siehe auch unter "An- und Abkuppeln von Geräten" in der Betriebsanleitung des Laders.

19. SCHMIERUNG UND WARTUNG



Achtung!

Stehen Sie nie zwischen der Front des Traktors und dem Querträger des Laders.



0106

Abbildung 82 Stehen Sie nie zwischen der Front des Traktors und dem Querträger des Laders.

19.1. Schmierpunkte

Folgende Schmiernippel sind alle 10 Betriebsstunden mit Universalfett zu schmieren.

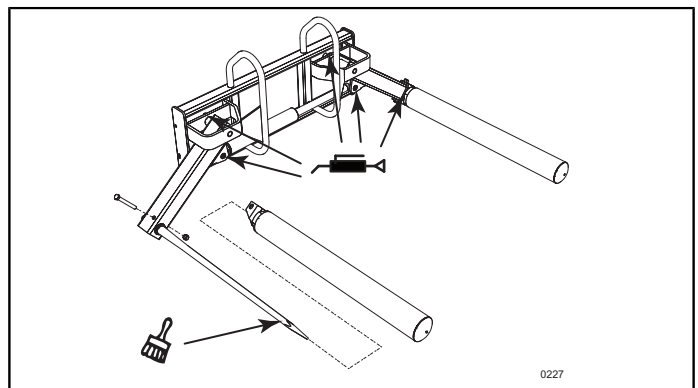


Achtung!

Quetsch- und Klemmgefahr.

Der Lader kann herunterfallen.

Vor Beginn der Schmierung das Gerät auf den Boden absenken und das Gerät schließen.



0227

Abbildung 83 Schmiernippel an jedem Gelenkbolzen an beiden Seiten des Arbeitsgeräts.

19.2. Aufbewahrung

Sichtbare Kolbenstangen zum Schutz mit einer dünnen Fettschicht bestreichen.

19.3. Schläuche und Zylinder

Lesen Sie dies, bevor Sie die Hydraulikanlage auf Undichtigkeiten überprüfen.



Achtung!

Unter Druck stehendes Öl.

Hydrauliköl, das an undichten Stellen unter hohem Druck austritt, kann die Haut durchdringen und schwere Verletzungen, Blindheit oder Todesfälle verursachen. Undichte Stellen sind nicht immer mit bloßem Auge zu erkennen.

Tragen Sie vorschriftsmäßige Schutzbrillen und schützen Sie Ihre Hände durch kräftige Lederhandschuhe o.ä. Verwenden Sie bei der Suche nach undichten Stellen einen Karton oder eine Holzplatte. Falls Flüssigkeit durch die Haut eingedrungen ist, MUSS diese in den nächsten Stunden durch einen Arzt beseitigt werden, der diese Art von Verletzungen zu behandeln weiß.



0118a

Abbildung 84 Verwenden Sie bei der Lecksuche UNTER KEINEN UMSTÄNDEN Finger oder Hände.

Kontrollieren Sie Schläuche und Anschlüsse regelmäßig auf Abnutzung und Undichtigkeiten. Sorgen Sie dafür, dass die Schläuche genügend Platz haben und sich nicht an anderen Bauteilen reiben. Tauschen Sie beschädigte Schläuche aus und ziehen Sie alle Anschlüsse fest.

Die Zylinder sind doppelwirkend. Sie müssen in gutem Zustand gehalten werden, um eine optimale Funktion zu erzielen. Undichtigkeiten, ob innere oder äußere, beeinträchtigen die Leistung und können gefährlich sein.

Für die optimale Funktion des Geräts ist eine mit hohem Druck arbeitende Hydraulikanlage erforderlich. Verwenden Sie nur vom Hersteller genehmigte Ersatzteile.

19.3.1. Überprüfung von Hydraulikanschlüssen

Überprüfen Sie, ob alle Schläuche und Adapter festgezogen und dicht sind.

19.3.2. Reparatur von Hydraulikzylindern

Für Ausbau, Reparatur und Einbau von Hydraulikzylindern sind Spezialwerkzeuge erforderlich, um Schäden an inneren Bauteilen zu vermeiden. Es empfiehlt sich, einen zu reparierenden Zylinder zur Bearbeitung an einen Vertragshändler zu schicken.

20. TECHNISCHE DATEN

Zylinder	65/40
Öldruck	120 - 200 bar / 12 - 20 Mpa
Ballengröße	120 - 172 cm
Max. Last	1000 kg
Max. Abstand zwischen den Rollen	172 cm
Gewicht	175 kg

20.1. Tabelle mit Empfehlungen

Quicke / Trima

Loader	Q3	Q3S	Q3M	Q3L	Q4	Q4S	Q4M	Q4L	Q5	Q5S	Q5M	Q5L
Flexibal	1	1	1	1	1	1	1	1	1	1	1	1

Loader	Q6	Q6S	Q6M	Q6L	Q7	Q7S	Q7M	Q7L	Q8M
Flexibal	1	1	1	1	1	1	1	1	1

Loader	X1	X1S	X2	X2S	X3	X3S	X4	X4S	X5	X5S
Flexibal	2	2	2	1	2	1	2	1	2	1

1

Empfohlene Kombination

2

Nicht zu empfehlende Kombination



Vorsicht!

Bediener von Teleskopladern oder Maschinen mit Gelenk müssen die Eigenschaften der gehobenen/transportierten Last gut kennen, wie z.B. deren Gewicht und Schwerpunkt. Beachten Sie, dass der Schwerpunkt der Last den gesamten Schwerpunkt der Basismaschine verschieben kann, wodurch das Risiko von Instabilität entsteht. Die Folge davon können Verletzungen des Fahrers, Schäden an Maschinen und/oder Eigentum oder Verletzungen von Personen in der Umgebung sein.

Wichtig! Empfehlungen für Radlader und andere Maschinen mit Gelenk basieren auf der Kipplast der Basismaschine. Beachten Sie, dass Maschinen mit Gelenk bei fahrlässiger Fahrweise instabil werden können, insbesondere in Kurven. Deshalb ist Vorsicht geboten!

Wichtig! Machen Sie sich gut mit der LAST und der BASISMASCHINE vertraut! Lesen Sie das Handbuch der Basismaschine gut durch und machen Sie sich vor der Benutzung mit ihren Grenzwerten vertraut.

21. GARANTIEBEDINGUNGEN

ÅLÖ AB verpflichtet sich, innerhalb eines Zeitraums von 12 (zwölf) Monaten nach dem Auslieferungstermin des Laders an den Käufer Teile auszutauschen oder zu reparieren, die Materialfehler aufweisen oder bei denen Herstellungsarbeiten zu beheben sind. Dies gilt unter der Voraussetzung, dass der Fehler dem Hersteller unmittelbar mitgeteilt wird und der fehlerhafte Lader bzw. das mangelhafte Teil diesem kostenfrei zur Verfügung gestellt wird.

Bei ausgetauschten Teilen gilt die Garantie lediglich für den Rest der Garantiezeit.

Die Garantie deckt keine Fehler ab, die durch Unfälle, mangelhafte Wartung, Änderungen oder falsche Montage auf Seiten des Käufers verursacht werden. Bei einem Austausch von Teilen, die besonders starker Abnutzung ausgesetzt sind, im Rahmen der Garantie hat der Käufer eine Nutzungsgebühr für den Zeitraum der Nutzung zu zahlen.

Es wird keine Entschädigung für Verletzungen, Ausfallzeiten, Folgeschäden oder sonstige Verluste geleistet.

Prüfungen oder Fehlersuchen auf Verlangen des Käufers ziehen keine Kosten für den Käufer nach sich, falls dabei Mängel festgestellt werden.

Andernfalls trägt der Käufer sämtliche Kosten.

Provisorische Reparaturen oder Mehrkosten durch Arbeiten, die außerhalb der normalen Arbeitszeit ausgeführt wurden, werden nicht erstattet.

EU-KONFORMITÄTSERKLÄRUNG

(Richtlinie 2006/42/EG, Anhang 2A)

ÅLÖ AB

Brännland 300

SE-901 37 Umeå, Schweden

Tel. +46 (0)90 17 05 00

versichert hiermit, dass

In diesem Buch beschriebene Gerätemodelle, siehe Titelseite, ab Herstellungsmonat November 2015.

A. übereinstimmend mit den RICHTLINIEN DES RATS:

- vom 17. Mai 2006 bezüglich der gegenseitigen Annäherung der Gesetzgebung der Mitgliedstaaten zu Maschinen, 2006/42/EG, unter besonderem Hinweis auf Anhang 1 der Richtlinie über wesentliche Gesundheits- und Sicherheitsvorschriften bei der Konstruktion und Herstellung von Maschinen

B. übereinstimmend mit folgenden harmonisierten Standards hergestellt wird:

EN ISO 12100:2010, EN ISO 4413:2010, EN 12525:2000+A2 2010.

Die RISE SMP Svensk Maskinprovning AB, Box 7035, SE-75007 Uppsala, Schweden, hat eine freiwillige Typenprüfung für die ÅLÖ AB durchgeführt. Das Zertifikat besitzt die Nummer SEC/09/2051 - Hydraulikgeräte.

Die Befugnis zur Zusammenstellung der technischen Dokumentation innerhalb von ÅLÖ AB ist Produktentwicklungsleiter Anders Lundgren erteilt worden.



Umeå 2022-09-01

Niklas Åström

Geschäftsführer

UK DECLARATION OF CONFORMITY 

(Gilt für den britischen Markt)

Address: Manufacturer
ÅLÖ AB
Brännland 300
SE-901 37 Umeå, Sweden
Tel. +46 (0)90 17 05 00

Address: Authorized representative
Alo UK Ltd
Unit 1 Ryelands Business Centre,
Ryelands Lane,
Elmley Lovett,
Droitwich,
Worcestershire
WR9 0PT, UK

Hereby certifies that:

Attachment models described in this document, see front page, from and including manufacturing month November 2015.

- A. manufactured in conformity with the provisions in the Supply of Machinery (Safety) Regulations 2008,
- B. manufactured according to the following designated standards: BS EN ISO 12100:2010, BS EN ISO 4413:2010, BS EN 12525:2000+A2:2010.

RISE SMP Svensk Maskinprovning AB, Box 7035, SE-75007 Uppsala, Sweden, has carried out voluntary type examination for ÅLÖ AB. The certificate has number: SEC/09/2051 – hydraulic implements.

The person authorized to compile technical documentation at ÅLÖ AB is Anders Lundgren, Executive Vice President R&D.



Umeå 2022-09-01

Niklas Åström

President and Chief Executive Officer (CEO)

22. PRÉFACE

22.1. Autres informations



Avertissement !
 Une utilisation imprudente ou incorrecte peut entraîner des blessures graves voire fatales pour le conducteur et les personnes alentour. Respectez les consignes de sécurité.

Ce manuel d’instruction décrit l’utilisation et l’entretien de l’outil. L’information fournie dans le manuel était correcte au moment de la mise sous presse. Veuillez consulter votre concessionnaire s’il y a quelque chose dans le manuel que vous ne comprenez pas.

Un manuel d’utilisation est fourni avec chaque outil afin que l’utilisateur sache comment le manier et l’entretenir. Lisez et appliquez les informations qu’il contient afin de pouvoir utiliser l’outil en toute sécurité en minimisant la durée d’immobilisation. Dans un souci de facilité, l’entretien s’effectue avec des outils à main courants.

Lisez et étudiez soigneusement les textes de ce manuel avant de commencer à utiliser l’outil. Si votre expérience de conduite est restreinte, étudiez le manuel d’utilisation et demandez à un conducteur expérimenté de vous assister. Votre concessionnaire peut vous aider à apprendre l’opération de la machine ainsi que des méthodes de travail appropriées. Veillez à ce que ce manuel soit aisément à portée de main, de préférence à l’intérieur du tracteur. Procurez-vous un nouvel exemplaire si l’original est endommagé ou perdu.

Lire également le manuel d’instructions, il contient des informations importantes pour la sécurité.



Prudence !
 Lisez la totalité du manuel d’instructions avant de commencer à utiliser le produit.

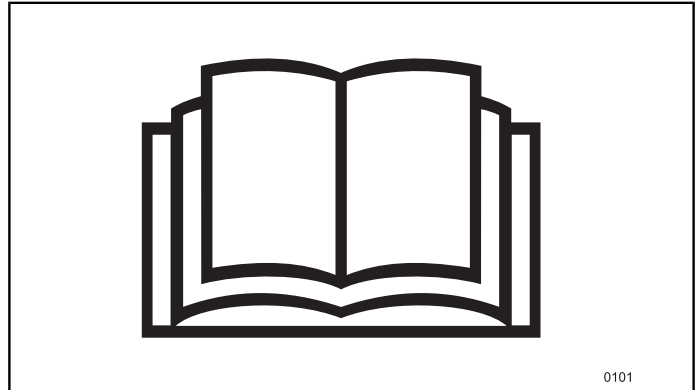
Nous nous réservons le droit d’introduire à tout moment et sans engagements ou préavis des modifications en ce qui concerne l’aspect et les spécifications ou des améliorations.

Complétez les informations indiquées sur la plaque signalétique de l’outil et mentionnez-les toujours lorsque vous contactez votre revendeur.

Cette plaque indique :

Produit, type, numéro de référence, numéro de série et poids.

Indiquez toujours le produit (A), le type (B) et le numéro de série (C) pour toute requête de maintenance ou de pièces de rechange.



0101

Fig.85 Lisez la totalité du manuel d'utilisation avant de commencer à utiliser le produit.

Information produit

Product	
Type	
Ref. No.	
Serial No.	
Date	
Weight	
Manufacturer	
Reseller information	

Fig.86 Information produit

	Product	XXXXXXXXXXXXXXXXXXXXXXXXXXXX	A B C
	Type	XXXXXXXXXXXXXXXXXXXXXXXXXXXX	
Made by A16 AB Umeå Sweden Made in xxxxxxxx	Ref.No.	XXXXXXXXXX	Serial No. / year XXXXXXXXXXX XXXXX
	Kit no.	XXXXXXXXXX	

Fig.87 Plaque machine.

23. CONSIGNES DE SÉCURITÉ

23.1. Autres informations

La sécurité du conducteur est l'un des plus importants objectifs lors de la conception d'un nouvel outil. Les concepteurs intègrent donc autant de fonctions de sécurité que possible. Il se produit chaque année de nombreux accidents qui pourraient être évités par quelques secondes supplémentaires de réflexion ou une conduite plus prudente de l'outil.

Évitez les accidents corporels. Lisez les instructions concernant la sécurité personnelle et insistez pour que tous ceux qui travaillent avec ou pour vous s'y conforment.

23.1.1. Autocollants de mise en garde

Les autocollants de mise en garde sont apposés à différents emplacements sur l'outil. Localisez les autocollants et soyez sûr d'en bien comprendre la signification avant d'utiliser le chargeur et l'outil.

- Les autocollants de mise en garde ne doivent jamais être masqués ou retirés. Si un autocollant de mise en garde fait défaut ou est illisible, remplacez-le. De nouveaux autocollants vous seront fournis sur demande par votre concessionnaire.

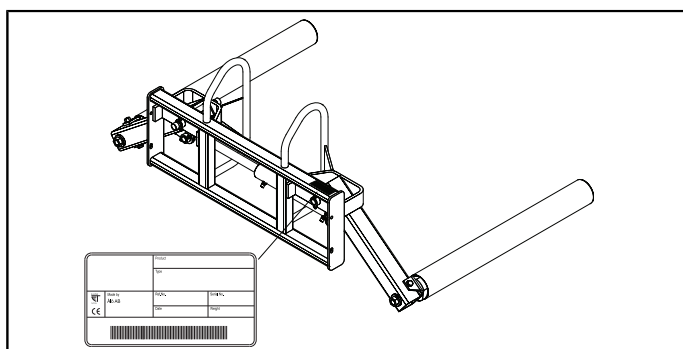


Fig.88 Emplacement de la plaque signalétique.

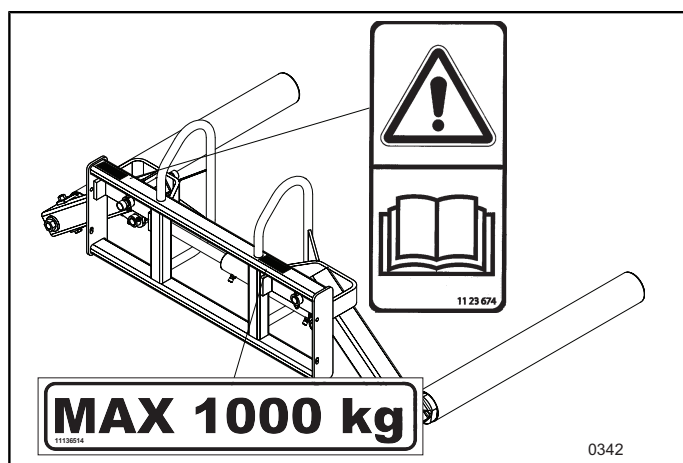


Fig.89 Emplacement des autocollants de mise en garde

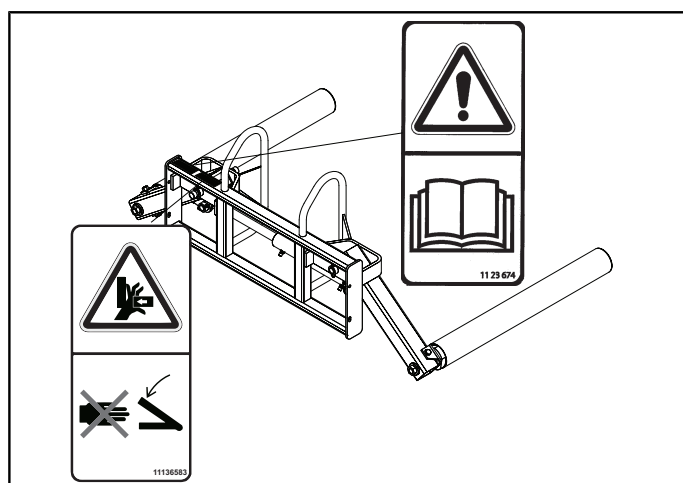


Fig.90 Emplacement des autocollants de mise en garde (Amérique du Nord).

23.2. Explication des niveaux de mise en garde

Lorsque vous voyez, sur un autocollant ou dans le manuel, un symbole de sécurité et une mise en garde, les instructions DOIVENT être suivies car elles concernent directement votre sécurité personnelle.

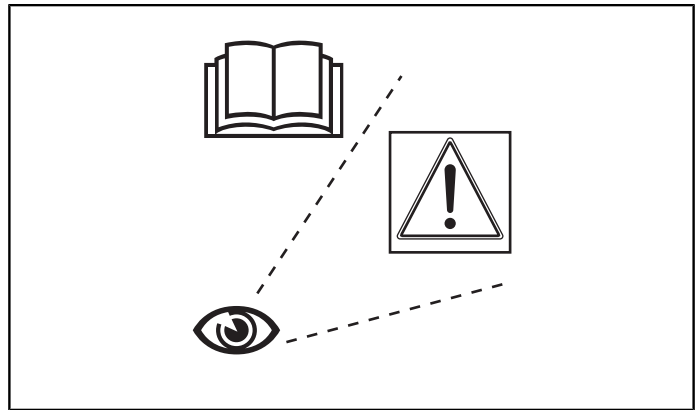


Fig.91 Localisez les autocollants et soyez sûr de bien comprendre la signification avant d'utiliser le chargeur et l'outil.

23.2.1. Explication des symboles

Symbole sécurité. L'information qui accompagne ce symbole concerne votre sécurité personnelle et doit être suivie.



Danger !

Indique une situation dangereuse qui conduit à des blessures ou la mort. (Amérique du Nord)



Avertissement !

Indique qu'un accident peut se produire si la consigne n'est pas respectée. L'accident peut entraîner des dommages corporels graves sinon même mortels.



Prudence !

Indique qu'un accident peut se produire si la consigne n'est pas respectée. L'accident peut entraîner des dommages corporels.



Fig.92 Symbole sécurité.

Le texte et les instructions qui suivent ne concernent pas la sécurité personnelle mais sont utilisés dans le manuel d'utilisation pour fournir des informations supplémentaires quant à l'utilisation ou l'entretien de l'outil.

Important ! Indique qu'un accident peut se produire si la consigne n'est pas respectée. L'accident peut endommager le matériel ou son entourage.

N.B. Indique un supplément d'information pour faciliter la compréhension ou l'exécution d'une opération.

23.3. Encadrement et utilisateurs

23.3.1. Responsabilité



Prudence !

Conservez toujours ce manuel d'utilisation et le manuel de conduite du tracteur à bord de ce dernier.

- En l'absence de manuel d'utilisation, il convient de s'en procurer un auprès du concessionnaire avant de monter et d'utiliser le chargeur et l'outil.

- Lisez soigneusement toute la documentation et apprenez à utiliser l'équipement de manière sûre et correcte.

⚠ Avertissement !
Il ne faut PAS utiliser le chargeur ou l'outil comme plate-forme de travail.

⚠ Avertissement !
L'outil doit être exclusivement utilisé pour ce à quoi il est destiné.

⚠ Avertissement !
Ne saisissez pas d'objets susceptibles de déplacer anormalement le centre de gravité vers l'extérieur. Cela peut affecter la stabilité du véhicule.

⚠ Avertissement !
NE PAS utiliser le chargeur pour élever ou transporter des personnes.

- Laissez uniquement des personnes qualifiées conduire la machine

⚠ Avertissement !
Avant de démarrer ou déplacer la machine, contrôlez toujours l'environnement immédiat de la machine afin de vous assurer que personne, et en particulier des enfants ou des animaux, ne se trouve à proximité.

Il se peut que vous ne puissiez pas entendre un appel en provenance de l'extérieur si vous vous trouvez dans la cabine avec la porte fermée.

⚠ Danger !
Pour éviter tout risque grave de pincement ou d'écrasement pouvant entraîner la mort : lorsque l'outil est utilisé, veillez à ce que toute personne et objet se tiennent à une distance de sécurité.



Fig.93 Il ne faut PAS utiliser le chargeur ou l'outil comme plate-forme de travail.



Fig.94 Le chargeur ne doit PAS être utilisé pour soulever ou transporter des personnes.

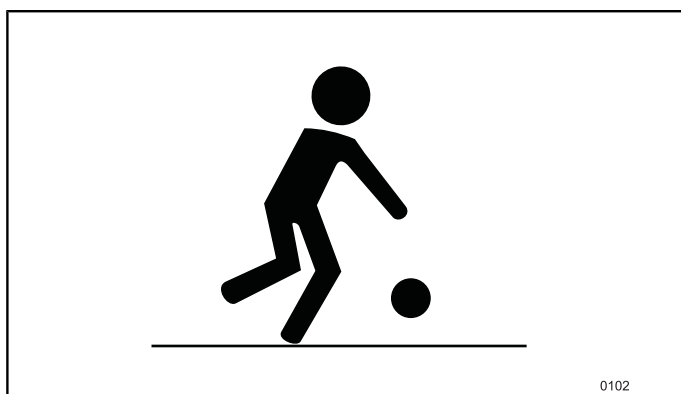


Fig.95 Avant le démarrage, il convient donc de veiller à ce que personne ne se trouve à proximité de la machine.

Familiarisez-vous avec la zone de travail et la nature du terrain. Faites attention à la hauteur disponible et aux limites qu'impose l'augmentation de portée.

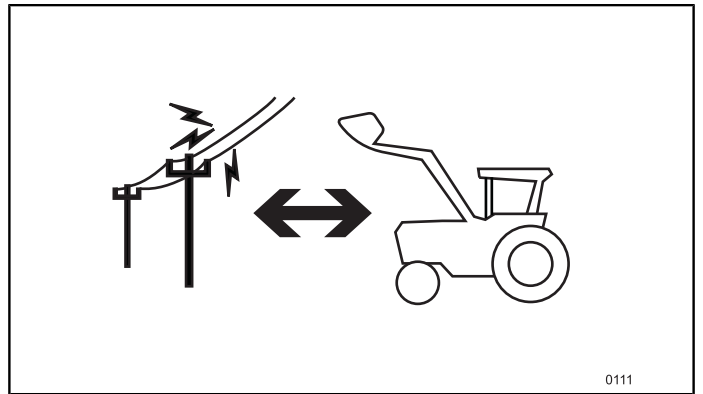


Fig.96 Familiarisez-vous avec la zone de travail avant de démarrer. Restez suffisamment éloigné des lignes électriques et d'autres obstacles.

! **Avertissement !**
Toujours garder un œil sur l'outil. Des objets peuvent tomber devant le tracteur ou rouler vers l'arrière sur le conducteur, lorsque la charge est relevée. Soulever uniquement des charges destinées à l'usage de l'outil.

! **Avertissement !**
Toujours garder un œil sur l'outil. Des objets peuvent chuter durant le transport. Transporter uniquement des objets destinés à l'usage de l'outil.

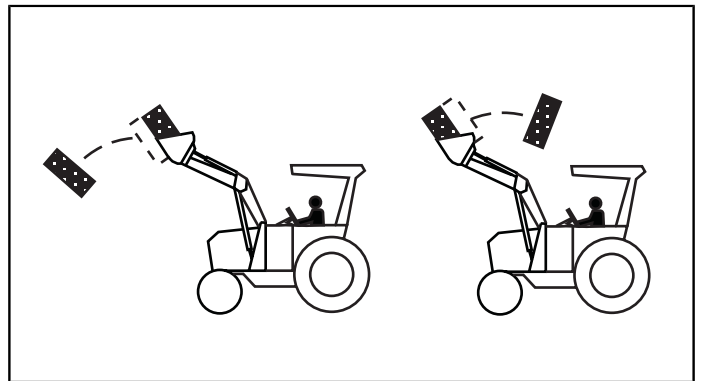


Fig.97 Toujours garder un œil sur l'outil. Des objets peuvent tomber devant le tracteur ou rouler vers l'arrière sur le conducteur lorsque la charge est relevée.

! **Avertissement !**
Ne vous tenez jamais entre l'avant du tracteur et le tube transversal du chargeur.

! **Avertissement !**
Risque d'écrasement et de coincement.
Le chargeur peut s'affaisser.
Abaissez le chargeur/l'outil jusqu'au sol avant de commencer le graissage.

! **Avertissement !**
Contrôler lors du montage que les flexibles sont suffisamment longs et qu'ils ne risquent pas d'être coincés entre le porte-outil, le bras de chargeur et les liaisons. Si nécessaire, ajuster l'orientation des raccords des vérins.



Fig.98 Ne vous tenez jamais entre l'avant du tracteur et le tube transversal du chargeur.



Avertissement !
Huile sous pression.

L'huile hydraulique sous haute pression peut, en cas de fuite, pénétrer à travers la peau et causer de graves blessures, la cécité voire la mort. La fuite peut être invisible.

Utilisez des lunettes de protection homologuées et protégez la peau avec des gants en cuir épais. Utilisez un morceau de carton ou de bois pour rechercher les fuites. Si du liquide a pénétré sous la peau, il **DOIT** être éliminé dans un délai de deux heures par un médecin compétent pour ce type de blessure.



Fig.99 N'utilisez JAMAIS les doigts ou la main pour rechercher une fuite.

24. DESCRIPTION

24.1. Définitions

24.1.1. Troisième fonction hydraulique

Fonction hydraulique supplémentaire pour la commande de l'hydraulique de l'outil et le verrou de celui-ci.

24.1.2. ErgoDrive / ErgoDrive LCS

Le colis distributeur comprend une commande mécanique et un monolevier ainsi que les raccords hydrauliques pour le modèle de tracteur indiqué.

24.1.3. ElectroDrive CDC / ElectroDrive LCS / EasyDrive LCS

Jeu de montage comme ci-dessus mais avec distributeur de commande électronique et joystick.

24.1.4. Jeu de flexibles

Flexibles et autres composants hydrauliques pour connecter le chargeur au distributeur originale du tracteur.

24.2. Porte-outil

L'outil peut être équipé de différents types d'accrochages d'outils, selon le type d'accouplement du véhicule porteur. Il existe différents systèmes de fixation pour les accrochages : soudés ou différents systèmes de boulonnage. Pour toutes informations concernant les accrochages d'outils disponibles, veuillez contacter Ålö AB. S'assurer que l'accrochage est compatible avec le système de fixation du chargeur/du porteur. **Ne jamais improviser ou adapter !**

Assurez-vous que le verrouillage de l'outil se déroule correctement, par rapport aux instructions actuelles du chargeur/du porteur avant toute utilisation.

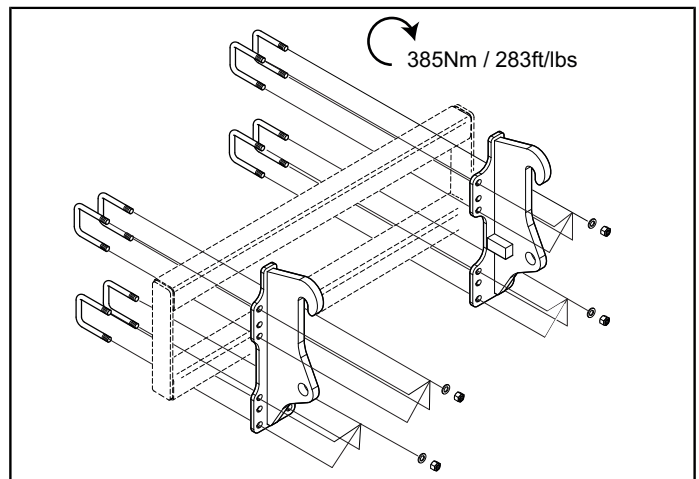


Fig.100 L'outil peut être équipé de différents types d'accrochages.

25. INSTRUCTIONS DE CONDUITE

25.1. Applications

25.1.1. Utilisation prévue

L'outil est muni de 2 fourreaux destinés à supporter la charge transportée. Le transport doit s'effectuer le plus près possible du sol. Le domaine d'utilisation principal est la manutention de :

- balles carrées
- balles rondes

Abaissez le chargeur autant que possible en cours de route. Souvenez-vous que plus le chargeur est haut, plus le centre de gravité est élevé, ce qui augmente le risque de retournement du tracteur.

25.2. Avant la mise en service de l'outil

Vérifiez avec soin

1. Que le flexible connecté du côté (+) du vérin comporte un repère rouge et l'outil se déplace comme indiqué entre position ouverte et fermée.
2. qu'il n'y a aucune fuite d'huile hydraulique.
3. Que l'outil est correctement monté sur le porte-outils et que les chevilles sont en position verrouillée. Appuyez l'extrémité de l'outil sur le sol (1) pour vous assurer qu'il est bien fixé sur le porte-outil (2).

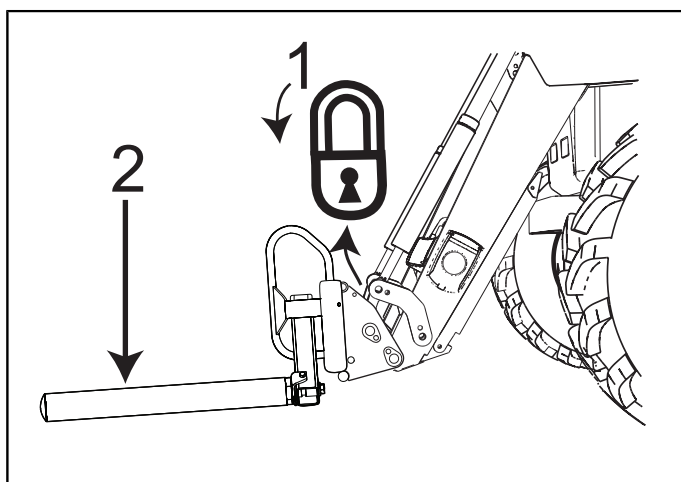


Fig.101 Vérifiez que l'outil est correctement fixé en pressant l'avant sur le sol.

4. Qu'il n'y a aucun risque de collision entre le chargeur et l'outil (voir illustration).
5. Graisser l'outil selon 26. *Lubrification et entretien*.

Voir également "Accouplement et désaccouplement de l'équipement" dans le manuel d'utilisation de la chargeuse.

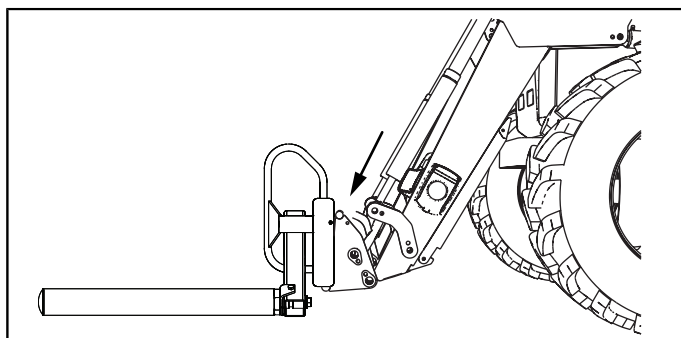


Fig.102 Vérifier avec précaution qu'il n'y a pas de risque de collision entre le chargeur et l'outil.



Avertissement !

NE PAS rester, marcher ou travailler sous un chargeur en position élevée. Veillez à ce que toute personne, et les enfants en particulier, ainsi que les animaux aient quitté la zone de travail.



0106

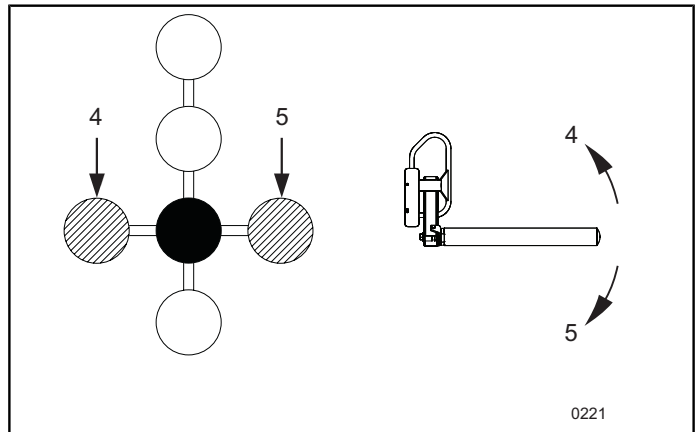
Fig.103 NE PAS rester, marcher ou travailler sous un chargeur en position élevée.

25.2.1. Fonction bennage/cavage

Montage à droite : Poussez le levier vers la gauche (4) pour relever l'outil (caver).

Poussez le levier vers la droite (5) pour vider l'outil (Benner).

N.B. Dans le cas d'un montage à gauche, les mouvements sont inversés (ne concerne pas EasyDrive LCS et ElectroDrive LCS qui existent uniquement avec montage à droite).



0221

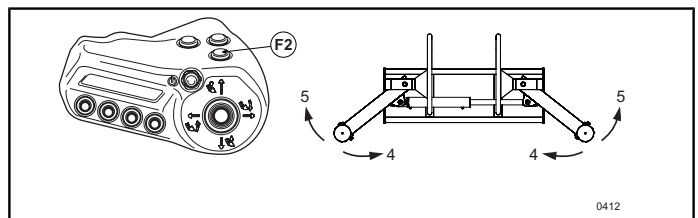
Fig.104 Fonction bennage/cavage

25.2.2. Pour ouvrir/fermer l'outil - EasyDrive LCS et ElectroDrive LCS

Pour ouvrir et fermer l'outil, il convient d'utiliser la troisième fonction hydraulique, commandée par l'interrupteur P2.

L'équipement s'ouvre en repoussant le levier vers la droite (5) et se ferme en le repoussant vers la gauche (4) (montage à droite).

Lorsque l'interrupteur de la troisième fonction hydraulique est relâché, la commande revient immédiatement en position fonction bennage/cavage.



0412

Fig.105 Pour ouvrir/fermer l'outil - EasyDrive LCS et ElectroDrive LCS

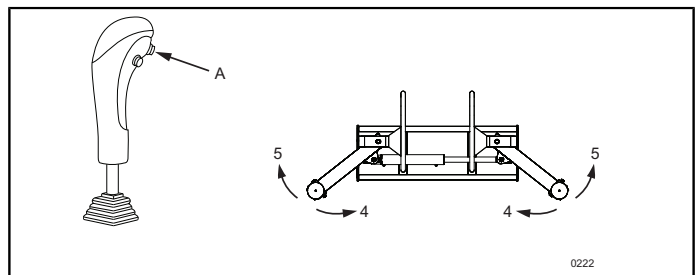
25.2.3. Ouvrir/fermer l'outil - ErgoDrive LCS/ErgoDrive

Pour ouvrir et fermer l'outil, il convient d'utiliser la 3ème fonction hydraulique, commandée par un interrupteur (A) situé sur le devant du joystick.

L'équipement s'ouvre en repoussant le levier vers la droite (5) et se ferme en le repoussant vers la gauche (4) (montage à droite).

Dans le cas d'un montage à gauche, les mouvements sont inversés.

Lorsque l'interrupteur de la troisième fonction hydraulique est relâché, la commande revient immédiatement en position fonction bennage/cavage.



0222

Fig.106 Ouvrir/fermer l'outil - ErgoDrive LCS/ErgoDrive

25.2.4. Pour ouvrir/fermer l'outil - ElectroDrive CDC

Pour ouvrir et fermer l'outil, il convient d'utiliser la troisième fonction hydraulique, commandée par l'interrupteur P2.

L'équipement s'ouvre en repoussant le levier vers la droite (5) et se ferme en le repoussant vers la gauche (4) (montage à droite).

Dans le cas d'un montage à gauche, les mouvements sont inversés.

Lorsque l'interrupteur de la troisième fonction hydraulique est relâché, la commande revient immédiatement en position fonction bennage/cavage.

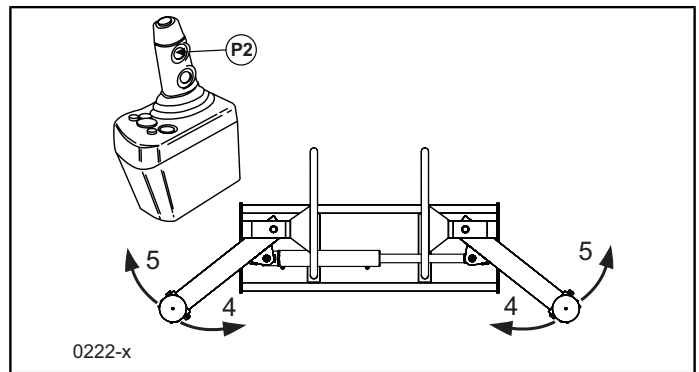


Fig.107 Pour ouvrir/fermer l'outil - ElectroDrive CDC

25.2.5. Pour ouvrir/fermer l'outil - Jeu de flexibles

Jeu de flexibles - Levier de commande du tracteur, voir le manuel de conduite de ce dernier.

25.2.6. Utilisation

L'outil est prévu pour la manutention de balles rondes (diamètre maxi 172 cm), les fourreaux ayant ici pour rôle d'éviter d'endommager l'emballage plastique éventuel. Veillez à ce que les fourreaux viennent au contact de la balle le plus bas possible (ils ne doivent donc PAS la serrer).

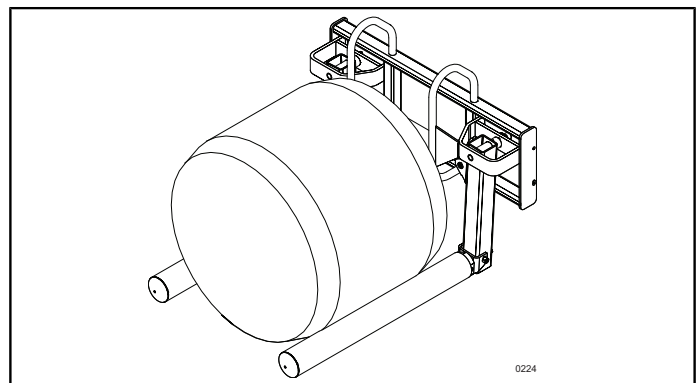


Fig.108 Utilisation

25.2.7. Pic-balle

Les fourreaux (1) sont montés sur la dent (2). Pour les déposer, il suffit de desserrer la vis (3). L'outil peut alors être utilisé comme équipement pic-balle.

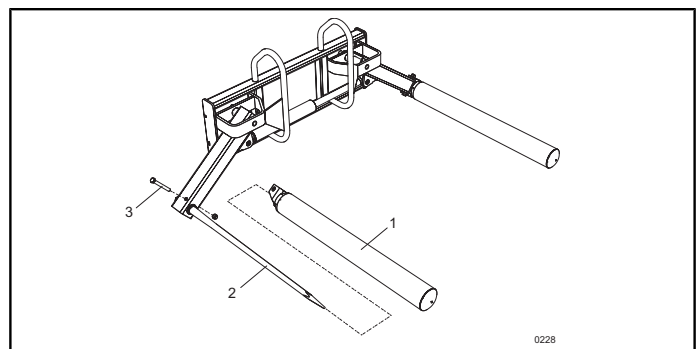


Fig.109 Pic-balle

25.2.8. Stationnement de l'outil

Désaccouplez l'outil en écartant le plus possible les fourreaux l'un de l'autre, mais sans pour autant que le vérin vienne en butée. Il pourrait sinon être difficile de remettre ensuite en place les raccords rapides du fait d'une pression excessive.

Voir également "Accouplement et désaccouplement de l'équipement" dans le manuel d'utilisation de la chargeuse.

26. LUBRIFICATION ET ENTRETIEN



Avertissement !

Ne vous tenez jamais entre l'avant du tracteur et le tube transversal du chargeur.



0106

Fig.110 Ne vous tenez jamais entre l'avant du tracteur et le tube transversal du chargeur.

26.1. Points de graissage

Lubrifiez les axes suivants avec de la graisse universelle toutes les 10 heures de service.

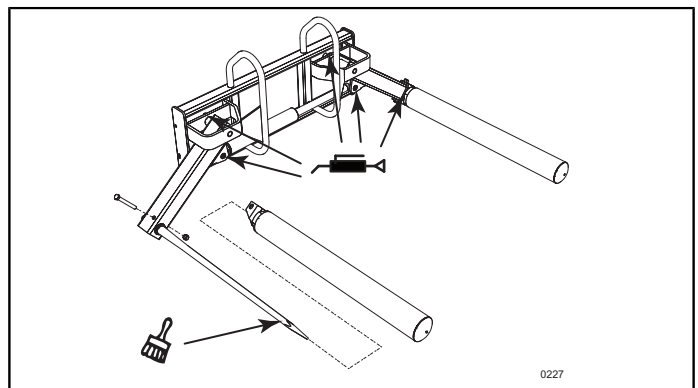


Avertissement !

Risque d'écrasement et de coincement.

Le chargeur peut s'affaisser.

Abaissez de l'outil jusqu'au sol et mettez l'équipement au repos avant de commencer le graissage.



0227

Fig.111 Raccords de graissage au niveau de chaque tourillon des deux côtés de l'outil.

26.2. Rangement

Appliquez une fine couche de graisse sur la partie visible des tiges de piston pour les protéger.

26.3. Flexibles et vérins

Lisez ces instructions avant de rechercher une fuite dans le système hydraulique :



Avertissement !

Huile sous pression.

L'huile hydraulique sous haute pression peut, en cas de fuite, pénétrer à travers la peau et causer de graves blessures, la cécité voire la mort. La fuite peut être invisible.

Utilisez des lunettes de protection homologuées et protégez la peau avec des gants en cuir épais. Utilisez un morceau de carton ou de bois pour rechercher les fuites. Si du liquide a pénétré sous la peau, il DOIT être éliminé dans un délai de deux heures par un médecin compétent pour ce type de blessure.



0118a

Fig.112 N'utilisez JAMAIS les doigts ou la main pour rechercher une fuite.

Vérifiez régulièrement les flexibles et les raccords pour rechercher toute trace éventuelle d'usure ou de fuite. Veillez à ce que les flexibles disposent de suffisamment d'espace et qu'ils ne frottent pas contre d'autres composants. Remplacez les flexibles endommagés et serrez tous les raccords.

Les vérins sont à double effet. Ils doivent être maintenus en bon état pour un fonctionnement optimal. Les fuites, internes ou externes, affectent les performances et peuvent être dangereuses.

Pour fonctionner de manière optimale, l'outil nécessite un système hydraulique fonctionnant sous haute pression. Utilisez uniquement des pièces de rechange homologuées par le fabricant.

26.3.1. Contrôle des raccords hydrauliques

Vérifiez que les flexibles et les adaptateurs sont bien serrés et qu'ils ne fuient pas.

26.3.2. Réparation des vérins hydrauliques

La dépose, la réparation et la mise en place des vérins hydrauliques exigent des outils spéciaux pour éviter d'endommager les composants internes. Nous recommandons d'envoyer tout vérin à réparer à un concessionnaire agréé.

27. CARACTÉRISTIQUES TECHNIQUES

Vérin	65/40
Pression d'huile	120 - 200 bar / 12 - 20 Mpa
Dimension de balle	120 - 172 cm
Charge maxi.	1000 kg
Distance maxi entre les fourreaux	172 cm
Poids	175 kg

27.1. Tableau de recommandations

Quicke / Trima

Loader	Q3	Q3S	Q3M	Q3L	Q4	Q4S	Q4M	Q4L	Q5	Q5S	Q5M	Q5L
Flexibal	1	1	1	1	1	1	1	1	1	1	1	1

Loader	Q6	Q6S	Q6M	Q6L	Q7	Q7S	Q7M	Q7L	Q8M
Flexibal	1	1	1	1	1	1	1	1	1

Loader	X1	X1S	X2	X2S	X3	X3S	X4	X4S	X5	X5S
Flexibal	2	2	2	1	2	1	2	1	2	1

1

Combinaison recommandée

2

Combinaison déconseillée



Prudence !

En tant que conducteur de chargeur télescopique ou de machine articulée, il convient d'avoir une bonne connaissance de la charge manipulée ou déplacée, comme son poids et son centre de gravité. Veuillez noter que le centre de gravité de la charge peut déplacer le centre de gravité total du véhicule porteur, ce qui entraîne un risque d'instabilité. Ceci peut à son tour engendrer des dommages sur la machine, sur le conducteur et/ ou sur des biens ou des personnes à proximité.

Important ! Les recommandations relatives aux chargeuses sur pneus et autres machines articulées se font sur la base de la charge de basculement du porteur. Veuillez noter que les machines articulées deviennent instables la conduite imprudente, surtout dans les virages, soyez prudent !

Important ! Familiarisez-vous avec la CHARGE et LE PORTEUR ! Lisez attentivement le manuel du véhicule porteur et tenez compte de ses limites avant de conduire.

28. CONDITIONS DE GARANTIE

ÅLÖ AB s'engage, pour une période de 12 (douze) mois à compter de la date de livraison du chargeur/de l'équipement à l'acheteur, à remplacer ou à réparer les pièces qui, suite à un défaut de matériau ou vice de fabrication, nécessitent une intervention. Ceci, à condition que le défaut soit immédiatement communiqué au fournisseur et que le chargeur ou les pièces en faute soient mises sans frais à sa disposition.

Pour les pièces qu'il faut remplacer, la garantie n'est applicable que pendant la période résiduelle de garantie.

La garantie ne comprend pas les pannes causées par un accident, un entretien insuffisant, une modification ou un montage erroné de la part de l'acheteur. Pour le remplacement sous garantie de pièces qui ont été soumises à une usure particulièrement grande, l'acheteur sera dans l'obligation de payer une somme correspondant à l'usage réel.

Les accidents corporels, temps d'interruption, dommages consécutifs et autres pertes ne sont pas compensés.

Tout contrôle et recherche de pannes exécutés sur demande de l'acheteur sont gratuits si un problème est constaté.

Dans le cas contraire, les frais seront à la charge de l'acheteur.

Aucune compensation n'est accordée pour les réparations provisoires ou les frais supplémentaires causés par l'exécution des travaux en dehors des heures ouvrables.

ATTESTATION DE CONFORMITÉ UE

(Directive 2006/42/CE, Annexe 2A)

ÅLÖ AB

Brännland 300

SE-901 37 Umeå Suède

Tél. : +46 (0)90 17 05 00

Assure par la présente que :

Modèles d'outils/accessoires décrits dans ce manuel, voir page de couverture, fabriqués à partir de novembre 2015.

A. est fabriqué selon la DIRECTIVE DU CONSEIL :

- 2006/42/CE du 17 mai 2006 concernant le rapprochement des législations des États membres relatives aux machines, et en particulier l'Annexe 1 de la directive intitulée "Exigences essentielles de santé et de sécurité relatives à la conception et à la construction des machines".

B. est fabriquée conformément aux normes harmonisées suivantes :

EN ISO 12100:2010, EN ISO 4413:2010, EN 12525:2000+A2 2010.

RISE SMP Svensk Maskinprovning AB, Box 7035, SE-75007 Uppsala, Suède a réalisé un contrôle de type facultatif pour le compte de ÅLÖ AB. Numéro de certificat : SEC/09/2051 - outils hydrauliques

Le responsable habilité à constituer la documentation technique au sein de ÅLÖ AB est Anders Lundgren, responsable du développement des produits.



Umeå 2022-09-01

Niklas Åström

DG

UK DECLARATION OF CONFORMITY

(Applicable au marché britannique)

Address: Manufacturer	Address: Authorized representative
ÅLÖ AB	Alo UK Ltd
Brännland 300	Unit 1 Ryelands Business Centre,
SE-901 37 Umeå, Sweden	Ryelands Lane,
Tel. +46 (0)90 17 05 00	Elmley Lovett,
	Droitwich,
	Worcestershire
	WR9 0PT, UK

Hereby certifies that:

Attachment models described in this document, see front page, from and including manufacturing month November 2015.

- A. manufactured in conformity with the provisions in the Supply of Machinery (Safety) Regulations 2008,
- B. manufactured according to the following designated standards: BS EN ISO 12100:2010, BS EN ISO 4413:2010, BS EN 12525:2000+A2:2010.

RISE SMP Svensk Maskinprovning AB, Box 7035, SE-75007 Uppsala, Sweden, has carried out voluntary type examination for ÅLÖ AB. The certificate has number: SEC/09/2051 – hydraulic implements.

The person authorized to compile technical documentation at ÅLÖ AB is Anders Lundgren, Executive Vice President R&D.



Umeå 2022-09-01

Niklas Åström

President and Chief Executive Officer (CEO)

29. INTRODUCCIÓN

29.1. Información general



¡Advertencia!

El uso descuidado o incorrecto puede causar daños graves e incluso mortales, al conductor o a otras personas. Siga las instrucciones de seguridad.

Este manual de instrucciones describe el manejo y mantenimiento del implemento. La información del manual de instrucciones era correcta en el momento de la impresión. Diríjase a su concesionario si hay algo que no comprende del manual.

Con cada implemento se entrega un manual de usuario para mostrar al operario cómo se maneja y mantiene el implemento. Lea y aplique la información para poder el implemento de una manera segura en combinación con un tiempo de parada breve. Este implemento ha sido diseñado pensando en la facilidad de servicio y su mantenimiento puede realizarse con herramientas de mano habituales.

Lea y estudie detenidamente el texto del manual de instrucciones antes de comenzar a usar el implemento. Si usted carece de experiencia como conductor, estudie el manual de instrucciones y solicite información de conductores experimentados. Su concesionario puede ayudarle, enseñándole el manejo y métodos de trabajo adecuados. Mantenga el manual de instrucciones en un lugar fácilmente accesible, preferiblemente en el tractor. Si se estropea o se pierde el manual de instrucciones, adquiera uno nuevo.

Lea también el manual de instrucciones de la cargadora, que contiene información importante para su seguridad.



¡Precaución!

Lea el manual de instrucciones en su totalidad antes de comenzar a usar el producto.

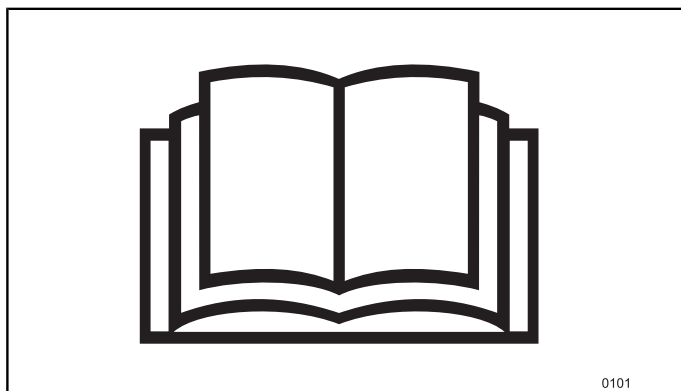
Nos reservamos el derecho a introducir en cualquier momento modificaciones en el diseño y las especificaciones, o mejoras, sin previo aviso ni obligación.

Rellene los datos de la placa de equipo del implemento y comunique siempre dicha información en el contacto con su concesionario.

La placa indica:

Producto, tipo, número de referencia y de serie y peso.

Indique siempre el producto (A), el tipo (B) y el número de serie (C) para cuestiones de servicio o pedido de piezas de repuesto.



0101

Figura 113 Lea el manual de operación en su totalidad antes de comenzar a usar el producto.

Información de producto

Product	
Type	
Ref. No.	
Serial No.	
Date	
Weight	
Manufacturer	
Reseller information	

Figura 114 Información de producto

	Product	XXXXXXXXXXXXXXXXXXXXXXXXXXXX	A
	Type	XXXXXXXXXXXXXXXXXXXXXXXXXXXX	
	Ref.No.	XXXXXXXXXX	B
	Serial No. / Year	XXXXXXXXXX XXXX	
Made by ÅTö AB Umeå Sweden Made in XXXXXXX	Kit No.	XXXXXXXXXX	C
	Weight	XXXXXXX kg	

Figura 115 Placa de equipo.

30. INSTRUCCIONES DE SEGURIDAD

30.1. Información general

La seguridad del conductor es uno de los objetivos prioritarios del diseño de un nuevo implemento. Los diseñadores incorporan el mayor número de funciones de seguridad posible. Todos los años ocurren accidentes que pueden evitarse con unos pocos segundos de reflexión y maniobrando el implemento con un mayor cuidado.

Evite los daños personales. Lea las instrucciones siguientes relativas a la seguridad personal y asegúrese de que las personas que trabajen con usted o para usted sigan también las instrucciones.

30.1.1. Pegatinas de advertencia

Las pegatinas de advertencia se sitúan en distintas partes del implemento. Localice, lea y averigüe el significado de las pegatinas antes de usar la cargadora y el implemento.

- No cubra ni quite ninguna pegatina de advertencia. Si una pegatina de advertencia está ausente o ilegible, sustitúyala por una nueva. Su concesionario puede proporcionarle nuevas pegatinas.

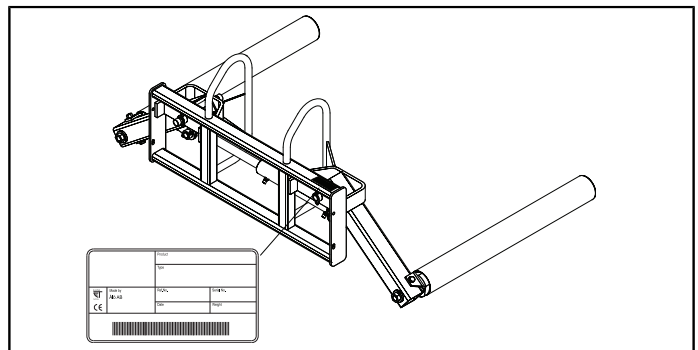


Figura 116 Ubicación de la placa de la máquina.

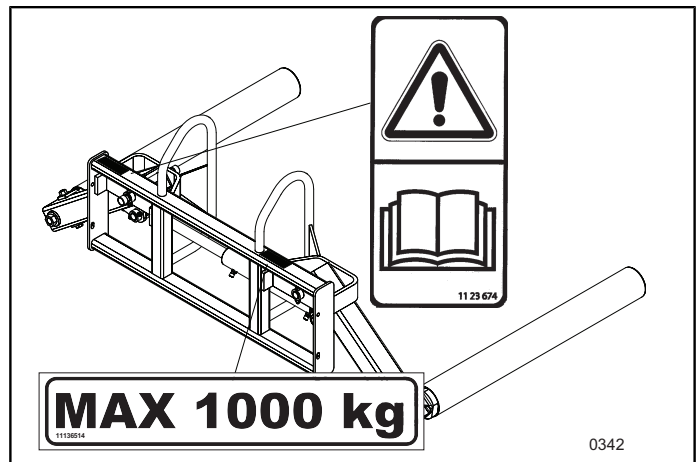


Figura 117 Ubicación de pegatinas de advertencia

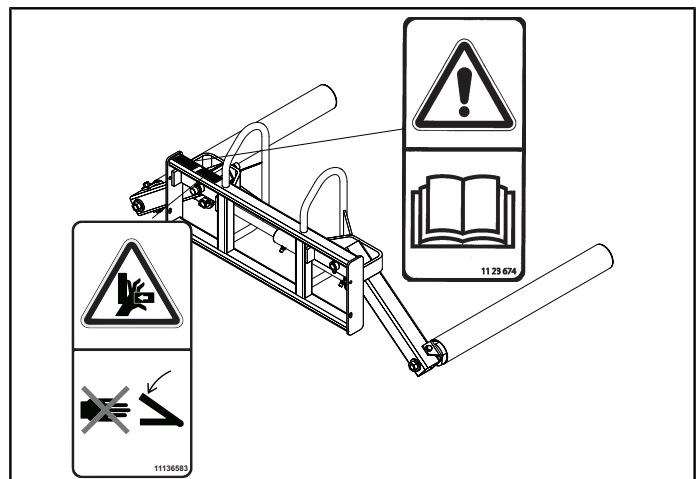


Figura 118 Ubicación de pegatinas de advertencia (Norteamérica).

30.2. Explicación de los niveles de advertencia

Cuando vea el símbolo de seguridad y la palabra de advertencia en el manual de instrucciones, deberán seguirse OBLIGATORIAMENTE las instrucciones, ya que su seguridad personal depende de ellas.

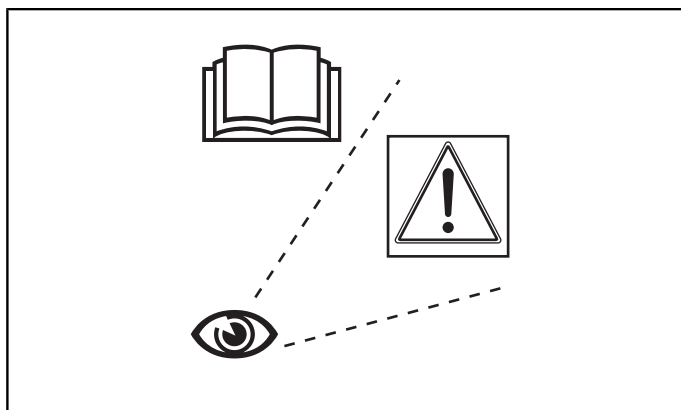


Figura 119 Localice, lea y compruebe el significado de las pegatinas antes de usar la cargadora y el implemento.

30.2.1. Explicación de símbolos

Símbolo de seguridad. La información en relación con este símbolo se aplica a su seguridad personal y es obligatorio seguirla.

¡Peligro!
Significa una situación de peligro inminente que, si no se evita, puede causar la muerte o lesiones corporales graves. (Sólo en Norteamérica)

¡Advertencia!
Indica que puede producirse un accidente si no se sigue la directriz. Un accidente puede dar lugar a lesiones graves e incluso mortales.

¡Precaución!
Indica que puede producirse un accidente si no se sigue la directriz. Un accidente puede causar daños personales.

El texto y las instrucciones siguientes no se aplican a la seguridad personal, pero se usa en la totalidad del manual de instrucciones para proporcionar consejos prácticos adicionales para el manejo o el servicio del implemento.

¡Importante! Indica que puede producirse un accidente si no se sigue la directriz. El accidente puede causar daños en objetos, procesos y entorno.

NOTA: Contiene información adicional para facilitar la comprensión o la ejecución de una cierta operación.

30.3. Supervisión y usuarios

30.3.1. Responsabilidad

¡Precaución!
Guarde siempre en el tractor este manual de instrucciones junto con el manual de instrucciones del tractor.

- Si el tractor carece de manual de instrucciones, adquiéralo del concesionario antes de montar y usar la cargadora y el implemento.



Figura 120 Símbolo de seguridad.

Instrucciones de seguridad

- Lea todo el material con atención y aprenda a usar el equipo de forma correcta y segura.



¡Advertencia!

NO utilice la cargadora ni el implemento como plataforma de trabajo.



¡Advertencia!

Use el implemento solamente para sus aplicaciones de diseño.



¡Advertencia!

No agarrar objetos que desplacen considerablemente el centro de gravedad hacia el exterior. Ello puede producir inestabilidad.



¡Advertencia!

NO utilice la pala para elevar ni transportar personas.

- La máquina sólo debe ser manejada por personas calificadas.



¡Advertencia!

Compruebe siempre la zona alrededor de la máquina y asegúrese de que todas las personas -especialmente los niños- y animales se hayan retirado antes de arrancar la máquina o ponerla en movimiento.

Lo más probable es que no pueda oír un grito de advertencia de personas que se encuentran en el exterior cuando está sentado en la cabina con la puerta cerrada.



¡Peligro!

Para evitar lesiones graves por aplastamiento y atrapamiento que pueden ser mortales: asegurarse de que las personas y los objetos se mantengan a la distancia requerida mientras se utiliza el implemento.



Figura 121 NO utilice la cargadora ni el implemento como plataforma de trabajo.



Figura 122 NO utilice la cargadora ni el implemento para elevar ni transportar personas.



Figura 123 Antes de arrancar, comprobar que no haya ninguna persona en las proximidades de la máquina.

Familiarícese con la zona de trabajo y el terreno. Preste atención a la altura libre y a las limitaciones debidas al alcance ampliado.

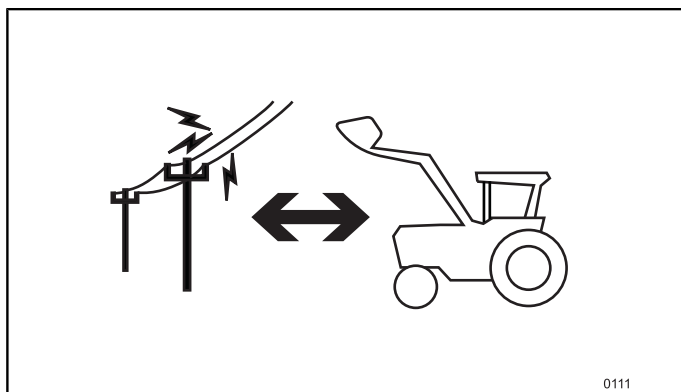


Figura 124 Estudiar la zona de trabajo antes de arrancar. Mantenerse a distancia de cables eléctricos y otros obstáculos.

¡Advertencia!
Mirar siempre el implemento. Cuando se eleva la pala, existe riesgo de caída o bajada de objetos hacia atrás, sobre el conductor. Elevar solamente objetos destinados a manipular con el implemento.

¡Advertencia!
Mirar siempre el implemento. Hay riesgo de caída de objetos durante el transporte. Transportar solamente objetos destinados a manipular con el implemento.

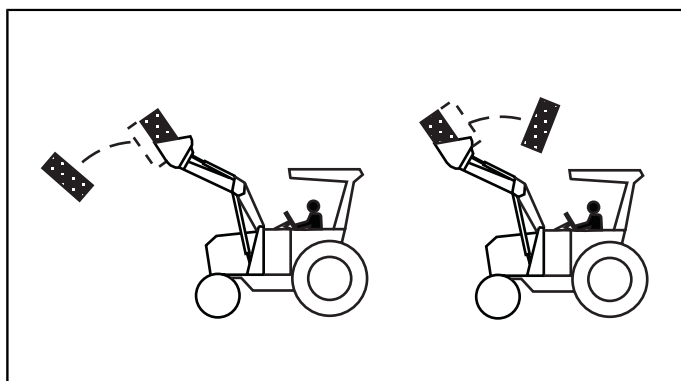


Figura 125 Mirar siempre el implemento. Cuando se eleva la pala, existe riesgo de caída o bajada de objetos hacia atrás, sobre el conductor.

¡Advertencia!
No se coloque nunca entre la frontal del tractor y el tubo transversal de la pala.

¡Advertencia!
Riesgo de fracturas y aplastamiento.
La cargadora puede caer.
Bajar la pala cargadora/el implemento hasta el suelo antes de iniciar la lubricación.

¡Advertencia!
Cuando instale las mangueras, compruebe que sean lo suficientemente largas y que no queden enganchadas entre la fijación de implemento, el brazo de carga o las articulaciones. Ajuste en caso necesario los acoplamientos.



Figura 126 No se coloque nunca entre la frontal del tractor y el tubo transversal de la pala.



¡Advertencia!
Aceite presurizado.

El aceite hidráulico a alta presión puede penetrar en el cuerpo en caso de fugas, causando lesiones graves, ceguera o incluso la muerte. La fuga puede ser invisible.

Use gafas de protección homologadas y proteja la piel, por ejemplo, con guantes de cuero gruesos. Use un cartón o un trozo de madera para la búsqueda de fugas. Si ha penetrado líquido en la piel ES ESENCIAL que lo elimine en el plazo de un par de horas un médico cualificado para tratar ese tipo de lesiones.



Figura 127 No utilice NUNCA los dedos o las manos en la búsqueda de fugas.

31. DESCRIPCIÓN

31.1. Definiciones

31.1.1. Tercera función hidráulica

Función hidráulica adicional para la maniobra del dispositivo hidráulico y del cierre del implemento.

31.1.2. ErgoDrive / ErgoDrive LCS

El kit de montaje contiene una válvula de maniobra mecánica, un mando de maniobra mecánico y conexión hidráulica para el modelo de tractor indicado.

31.1.3. ElectroDrive CDC / ElectroDrive LCS / EasyDrive LCS

Kit de montaje igual al anterior, pero con válvula de maniobra eléctrica y mando de maniobra eléctrico.

31.1.4. Juego de mangueras

Mangueras y componentes hidráulicos para la conexión de la cargadora con la válvula original del tractor.

31.2. Fijaciones de implemento

El implemento puede equiparse con diversos tipos de ganchos según el acoplamiento de la cargadora/máquina básica. Existen diversos sistemas de acoplamiento para los ganchos: soldados o diferentes alternativas de sistemas atornillados. Para obtener información acerca de los ganchos disponibles para los implementos, póngase en contacto con Ålö AB. Preste atención a que el gancho del implemento sea compatible con el sistema de acoplamiento de la cargadora/máquina de base. **¡Nunca improvise ni haga adaptaciones!**

Antes del uso, asegúrese de que el bloqueo del implemento se realice correctamente teniendo en cuenta las instrucciones aplicables de la cargadora/máquina básica y el acoplamiento de implementos.

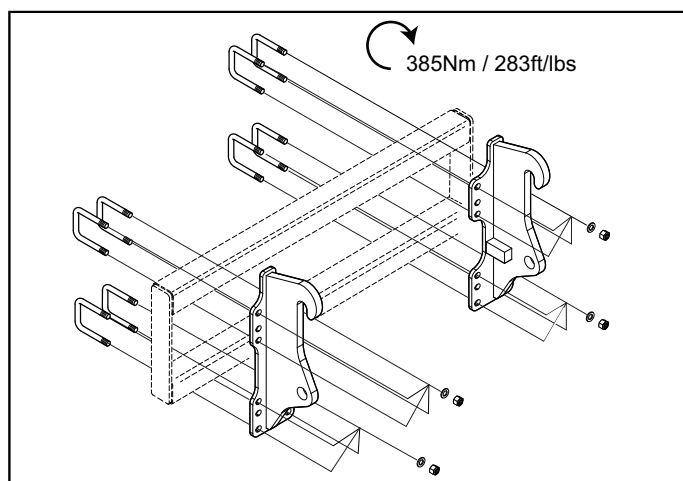


Figura 128 El implemento puede equiparse con distintos tipos ganchos.

32. INSTRUCCIONES DE OPERACIÓN

32.1. Áreas de aplicación

32.1.1. Usos específicos

El implemento está dotado de dos rodillos que se usan para soportar el material. Transporte el material lo más bajo posible. Las áreas de aplicación principales son la manipulación de:

- balas cuadradas
- balas redondas

Baje la pala al nivel más bajo posible durante la conducción. Recuerde que cuanto más alta esté la pala, más alto se encontrará su centro de gravedad y, por lo tanto, mayor será el riesgo de vuelco del tractor.

32.2. Efectuar antes de utilizar el implemento

Compruebe minuciosamente lo siguiente:

1. La manguera conectada al lado (+) del cilindro tiene una marca roja y el implemento se mueve según la descripción de apertura/cierre.
2. No hay ninguna fuga de aceite hidráulico.
3. El implemento se halla montado correctamente en su fijación y los pasadores se encuentran en posición bloqueada. Presione la punta del implemento contra el suelo (1) para comprobar su correcta sujeción (2).

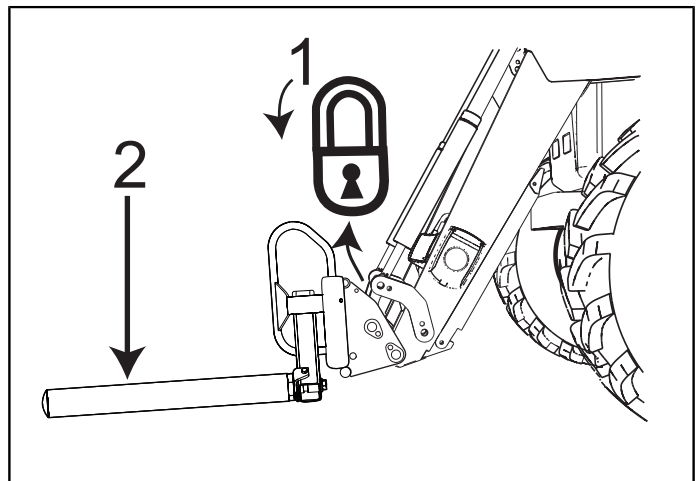


Figura 129 Compruebe que el implemento esté bien sujeto presionando la punta contra el suelo.

4. No hay riesgo de colisión entre la cargadora y el implemento (vea la figura).
5. Lubrique el engranaje de acuerdo 33. *Lubricación y mantenimiento.*

Vea también las instrucciones de conexión y desconexión del implemento en el manual de instrucciones de la cargadora.

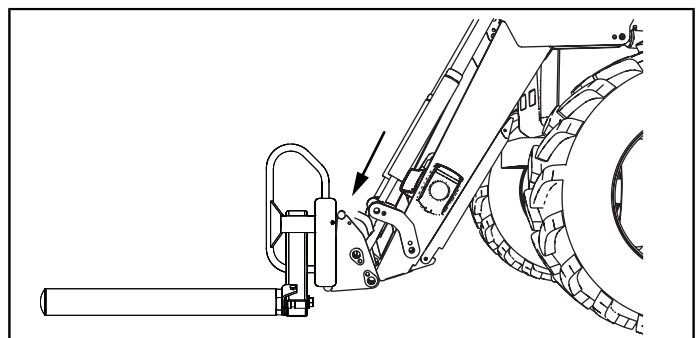


Figura 130 Comprobar con cuidado que no haya riesgo de colisión entre la cargadora y el implemento.



¡Advertencia!

NO se sitúe, desplace ni opere por debajo de una pala alzada. Asegúrese de que todas las personas —especialmente los niños— y los animales estén alejados de la zona de trabajo.



0106

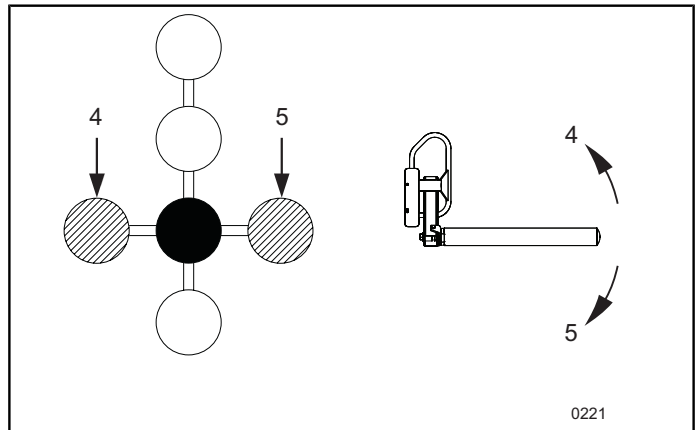
Figura 131 NO se sitúe, desplace ni opere por debajo de una pala alzada.

32.2.1. Vaciado/inclinación hacia arriba del implemento

Montaje a la derecha: Mueva la palanca hacia la izquierda (4) para inclinar el implemento hacia arriba.

Mueva la palanca hacia la derecha (5) para vaciar el implemento.

NOTA: Con montaje a la izquierda los movimientos serán opuestos (excepto en EasyDrive LCS y ElectroDrive LCS, que sólo se encuentran disponibles en montaje a la derecha).



0221

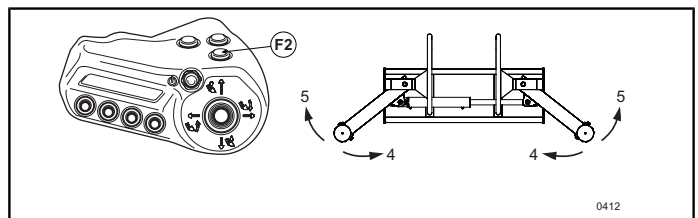
Figura 132 Vaciado/inclinación hacia arriba del implemento

32.2.2. Abrir/cerrar el implemento - EasyDrive LCS y ElectroDrive LCS

Para abrir y cerrar el implemento se utiliza la tercera función hidráulica, controlada con el interruptor F2.

Moviendo la palanca hacia la derecha (5) se abre el implemento y hacia la izquierda (4) se cierra (montaje a la derecha).

Cuando se suelta el interruptor para la tercera función hidráulica, el mando vuelve inmediatamente a la función de vaciado/inclinación.



0412

Figura 133 Abrir/cerrar el implemento - EasyDrive LCS y ElectroDrive LCS

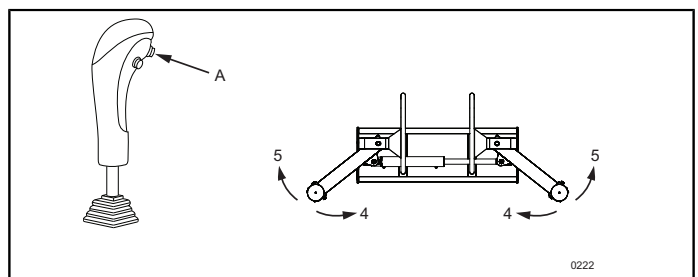
32.2.3. Abrir/cerrar el implemento - ErgoDrive LCS/ErgoDrive

Para abrir y cerrar el implemento se usa la tercera función hidráulica, controlada con un interruptor (A) en la parte delantera de la palanca de mando.

Moviendo la palanca hacia la derecha (5) se abre el implemento y hacia la izquierda (4) se cierra (montaje a la derecha).

Con montaje a la izquierda los movimientos serán a la inversa.

Cuando se suelta el interruptor para la tercera función hidráulica, el mando vuelve inmediatamente a la función de vaciado/inclinación.



0222

Figura 134 Abrir/cerrar el implemento - ErgoDrive LCS/ErgoDrive

32.2.4. Abrir/cerrar el implemento - ElectroDrive CDC

Para abrir y cerrar el implemento se utiliza la tercera función hidráulica, controlada con el interruptor P2.

Moviendo la palanca hacia la derecha (5) se abre el implemento y hacia la izquierda (4) se cierra (montaje a la derecha).

Con montaje a la izquierda los movimientos serán a la inversa.

Cuando se suelta el interruptor para la tercera función hidráulica, el mando vuelve inmediatamente a la función de vaciado/inclinación.

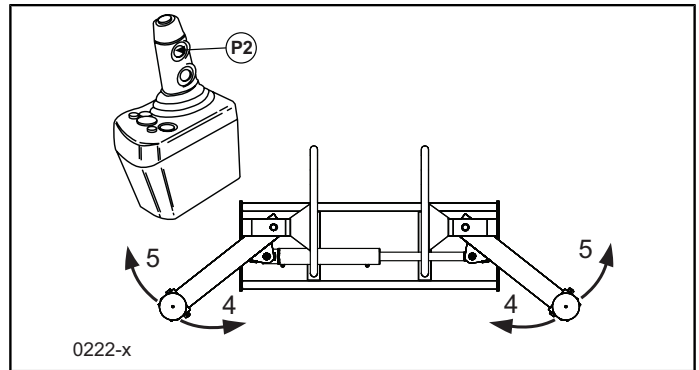


Figura 135 Abrir/cerrar el implemento - ElectroDrive CDC

32.2.5. Abrir/cerrar el implemento - Juego de mangueras

Juego de mangueras - palanca de mando del tractor, vea el manual de instrucciones del tractor.

32.2.6. Instrucciones de operación

El implemento ha sido concebido para el manejo de balas redondas (diámetro máx. de 172 cm). Los rodillos reducen el riesgo de desperfectos en la envoltura de plástico. Asegúrese de que los dos rodillos agarran la bala lo más bajo posible (es decir, que los rodillos NO deben fijar la bala apretándola).

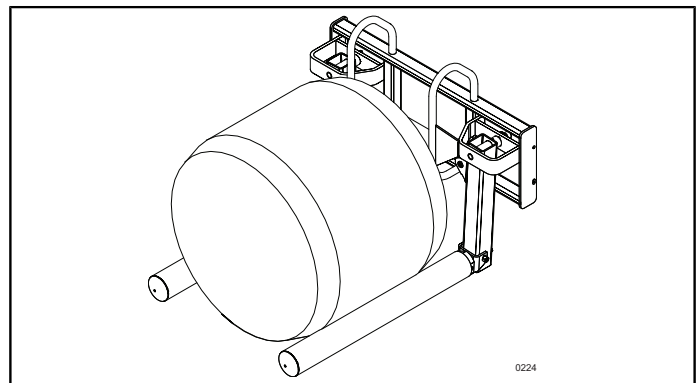


Figura 136 Instrucciones de operación

32.2.7. Lanza de bala

Los rodillos (1) se articulan en la clavija (2). Desmontando el tornillo (3) se puede extraer el rodillo. Entonces se puede usar el implemento como lanza de bala.

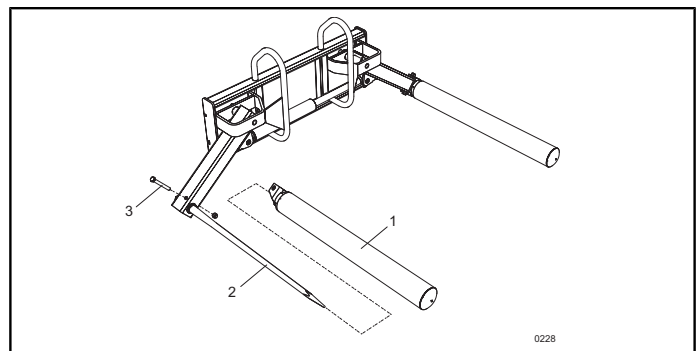


Figura 137 Lanza de bala

32.2.8. Para desacoplarlo

Desprenda el implemento con la mayor separación posible entre los rodillos, pero sin que el cilindro llegue a su tope, ya que pueden surgir problemas de sobrepresión la próxima vez que se conecten acoplamiento rápidos.

Vea también las instrucciones de conexión y desconexión del implemento en el manual de instrucciones de la cargadora.

33. LUBRICACIÓN Y MANTENIMIENTO



¡Advertencia!

No se coloque nunca entre la frontal del tractor y el tubo transversal de la pala.



0106

Figura 138 No se coloque nunca entre la frontal del tractor y el tubo transversal de la pala.

33.1. Puntos de lubricación

Lubrique los engrasadores siguientes con grasa universal cada 10 horas de operación.

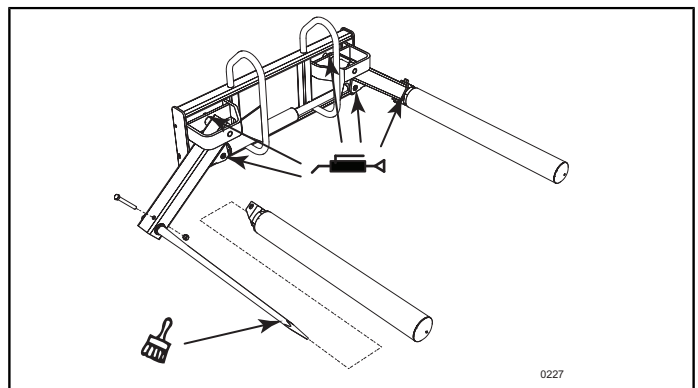


¡Advertencia!

Riesgo de fracturas y aplastamiento.

La cargadora puede caer.

Baje el implemento al suelo y cierre el implemento antes de iniciar la lubricación.



0227

Figura 139 Engrasadores en cada pasador de articulación a ambos lados del implemento.

33.2. Almacenamiento

Aplique una fina capa de grasa a los vástagos de pistón visibles para protegerlos.

33.3. Mangueras y cilindros

Lea esto antes de examinar las posibles fugas del sistema hidráulico:



¡Advertencia!

Aceite presurizado.

El aceite hidráulico a alta presión puede penetrar en el cuerpo en caso de fugas, causando lesiones graves, ceguera o incluso la muerte. La fuga puede ser invisible.

Use gafas de protección homologadas y proteja la piel, por ejemplo, con guantes de cuero gruesos. Use un cartón o un trozo de madera para la búsqueda de fugas. Si ha penetrado líquido en la piel ES ESENCIAL que lo elimine en el plazo de un par de horas un médico cualificado para tratar ese tipo de lesiones.



0118a

Figura 140 No utilice NUNCA los dedos o las manos en la búsqueda de fugas.

Compruebe periódicamente el posible desgaste y fugas de las mangueras y conexiones. Asegúrese de que las mangueras tienen suficiente huelgo para moverse y que no rocen con otros componentes. Cambie las mangueras dañadas y apriete todas las conexiones.

Los cilindros son de doble efecto. Es necesario mantenerlos siempre en buen estado para un funcionamiento óptimo.

Las fugas, internas o externas, afectan al rendimiento y pueden resultar peligrosas.

Esta herramienta requiere un sistema hidráulico que opere a alta presión. Utilice sólo piezas de repuesto aprobadas por el fabricante.

33.3.1. Control de las conexiones hidráulicas

Compruebe que todas las mangueras y adaptadores estén correctamente apretados y no presenten fugas.

33.3.2. Reparación de los cilindros hidráulicos

El desmontaje, la reparación y el montaje de los cilindros hidráulicos requiere de herramientas especiales para prevenir daños en componentes internos. Recomendamos el envío de los cilindros objeto de reparación a un concesionario autorizado.

34. DATOS

Cilindro	65/40
Presión de aceite	120-200 bar/12-20 Mpa
Tamaño de bala	120-172 cm
Carga máxima:	1.000 kg
Distancia máxima entre rodillos	172 cm
Peso	175 kg

34.1. Tabla de recomendaciones

Quicke / Trima

Loader	Q3	Q3S	Q3M	Q3L	Q4	Q4S	Q4M	Q4L	Q5	Q5S	Q5M	Q5L
Flexibal	1	1	1	1	1	1	1	1	1	1	1	1

Loader	Q6	Q6S	Q6M	Q6L	Q7	Q7S	Q7M	Q7L	Q8M
Flexibal	1	1	1	1	1	1	1	1	1

Loader	X1	X1S	X2	X2S	X3	X3S	X4	X4S	X5	X5S
Flexibal	2	2	2	1	2	1	2	1	2	1

1

Combinación recomendada

2

Combinación no recomendada



¡Precaución!

Como conductor de una cargadora telescópica o máquina de articulación central, debe tener un buen conocimiento de la carga manejada/transportada, como su peso y centro de gravedad. Tenga en cuenta que el centro de gravedad de la carga puede desplazar el centro de gravedad total de la máquina básica, lo que puede ocasionar daños a la máquina, el conductor y/o los equipos o personas en las inmediaciones.

¡Importante! Las recomendaciones para cargadoras de ruedas y otras máquinas con articulación central se basan en la carga de volteo de la máquina básica. Tenga en cuenta que las máquinas con articulación central se vuelven inestables con una conducción negligente, especialmente al girar, ¡tenga cuidado!

¡Importante! ¡Conozca bien la CARGA y la MÁQUINA BÁSICA! Lea cuidadosamente el manual de la máquina básica y tenga en cuenta sus límites antes de conducir.

35. CONDICIONES DE GARANTÍA

ÅLÖ AB se compromete, durante un período de 12 (doce) meses a partir de la entrega al comprador de la cargadora o equipo, a sustituir o reparar las piezas que, por defectos de material o de fabricación, requieran de corrección. Esto siempre y cuando se informe al proveedor inmediatamente del fallo y se ponga la cargadora o el componente a la libre disposición del proveedor.

Con las piezas sustituidas la garantía sólo tendrá validez durante el plazo de garantía restante.

La garantía no cubre los fallos causados por accidente, mantenimiento defectuoso, modificación o montaje incorrecto por parte del comprador. En la sustitución bajo garantía de piezas sometidas a un desgaste especialmente considerable, el comprador deberá compensar económicamente por el tiempo que hayan sido usadas.

No se aplicará una compensación por daños personales, paradas técnicas, daños derivados u otras pérdidas.

La prueba o localización de fallos que se realice a petición del comprador se efectuará sin coste para éste caso de comprobarse la existencia de defectos.

De lo contrario se cargarán todos los gastos al comprador.

No se retribuirán las reparaciones temporales ni los costes adicionales debidos a que el trabajo se efectúe fuera del horario laboral ordinario.

DECLARACIÓN DE CONFORMIDAD CE

(Directiva 2006/42/CE, Anexo 2A)

ÅLÖ AB

Brännland 300

SE-901 37 Umeå (Suecia)

Tel. +46 (0)90 17 05 00

Declara por la presente que:

Los modelos de implemento descritos en el presente manual (ver portada) a partir del mes de fabricación noviembre de 2015.

A. han sido manufacturados de conformidad con la DIRECTIVA DEL CONSEJO:

- de 17 de mayo de 2006 sobre aproximación de las legislaciones de los estados miembros relativas a las máquinas, 2006/42/CE, con especial referencia al Anexo 1 sobre requisitos esenciales de seguridad y salud relativos al diseño y la fabricación de las máquinas.

B. están fabricados de conformidad con las siguientes normas armonizadas:

EN ISO 12100:2010, EN ISO 4413:2010, EN 12525:2000+A2 2010.

RISE SMP Svensk Maskinprovning AB, Box 7035, SE-75007 Uppsala, Suecia, ha efectuado el control de tipo voluntario para ÅLÖ AB. El certificado tiene el número: SEC/09/2051 – herramientas hidráulicas.

La persona autorizada para elaborar la documentación técnica en ÅLÖ AB es Anders Lundgren, director de desarrollo de producto.



Umeå 2022-09-01

Niklas Åström

Director Gerente

UK DECLARATION OF CONFORMITY

(Aplicable al mercado del Reino Unido)

Address: Manufacturer	Address: Authorized representative
ÅLÖ AB	Alo UK Ltd
Brännland 300	Unit 1 Ryelands Business Centre,
SE-901 37 Umeå, Sweden	Ryelands Lane,
Tel. +46 (0)90 17 05 00	Elmley Lovett,
	Droitwich,
	Worcestershire
	WR9 0PT, UK

Hereby certifies that:

Attachment models described in this document, see front page, from and including manufacturing month November 2015.

- A. manufactured in conformity with the provisions in the Supply of Machinery (Safety) Regulations 2008,
- B. manufactured according to the following designated standards: BS EN ISO 12100:2010, BS EN ISO 4413:2010, BS EN 12525:2000+A2:2010.

RISE SMP Svensk Maskinprovning AB, Box 7035, SE-75007 Uppsala, Sweden, has carried out voluntary type examination for ÅLÖ AB. The certificate has number: SEC/09/2051 – hydraulic implements.

The person authorized to compile technical documentation at ÅLÖ AB is Anders Lundgren, Executive Vice President R&D.



Umeå 2022-09-01

Niklas Åström

President and Chief Executive Officer (CEO)

36. FORORD

36.1. Generel information

⚠ Advarsel!
Uforsigtig eller forkert anvendelse kan medføre alvorlige skader eller dødsfald for føreren eller andre. Følg sikkerhedsinstruktionerne.

Denne instruktionsbog beskriver anvendelse og vedligeholdelse af redskabet. Instruktionsbogens informationer var korrekte på tidspunktet for trykningen. Kontakt din forhandler, hvis der er dele af bogen, du ikke forstår.

Der leveres en brugerhåndbog sammen med hvert redskab for at vise føreren, hvordan redskabet skal håndteres og vedligeholdes. Læs og brug informationerne, så du er i stand til at bruge redskabet på en sikker måde og i kombination med korte stilstandstider. Dette redskab er konstrueret med let service for øje, og det kan vedligeholdes med normale håndværktøjer.

Gennemlæs og forstå instruktionsbogen nøje, inden du begynder at anvende redskabet. Hvis du er en uerfaren fører, skal du gennemlæse instruktionsbogen og spørge erfarne førere om råd. Forhandleren kan også hjælpe dig med at lære at betjene redskabet og anvende egnede arbejdsmetoder. Opbevar denne instruktionsbog på et lettilgængeligt sted - f.eks. på traktoren. Hvis den gamle instruktionsbog bliver beskadiget eller forsvinder, bør du anskaffe en ny.

Læs også læsserens instruktionsbog, den indeholder informationer, der er vigtige for din sikkerhed.

⚠ Forsigtig!
Gennemlæs hele instruktionsbogen, inden du begynder at bruge produktet.

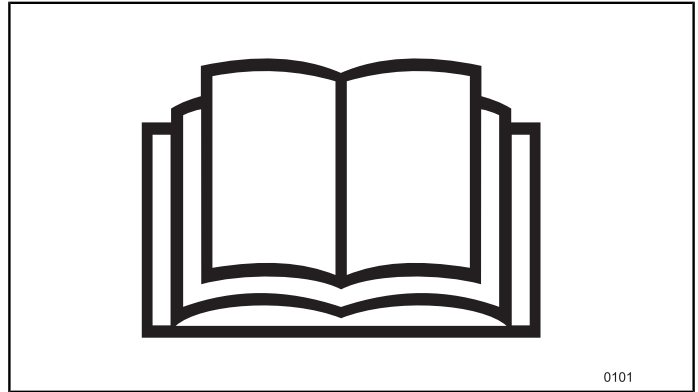
Vi forbeholder os ret til når som helst at indføre ændringer hvad angår udformning, specifikationer eller forbedringer uden forudgående meddelelse eller ansvar.

Notér informationerne fra redskabets maskinskilt, og angiv altid disse, når du kontakter din forhandler.

Skiltet angiver:

Produkt, type, reference- og serienummer og vægt.

Angiv altid: Produkt (A), type (B) og serienummer (C) ved servicespørgsmål eller reservedelsbehov.



Figur 141 Gennemlæs hele brugerhåndbogen, inden du begynder at bruge produktet.

Produktinformation

Product	
Type	
Ref. No.	
Serial No.	
Date	
Weight	
Manufacturer	
Reseller information	

Figur 142 Produktinformation

	Made by Å16 AB	Ref.No. XXXXXXXXXX	Serial No. / year XXXXXXXXXX XXXXX
	Umeå Sweden Made in xxxxxxxx	Kit No. XXXXXXXXXX	Weight XXXXXXXX kg

Figur 143 Maskinskilt.

37. SIKKERHEDSVEJLEDNING

37.1. Generel information

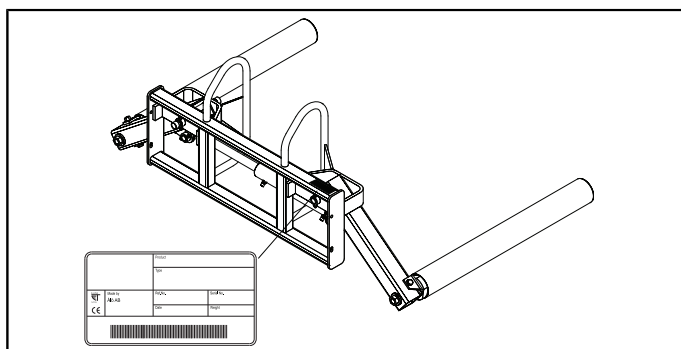
Førerens sikkerhed er et af de vigtigste punkter ved konstruktion af et nyt redskab. Konstruktørerne indbygger så mange sikkerhedsfunktioner som muligt. Der sker hvert år adskillige ulykker, som kan undgås med nogle sekunders eftertanke og en mere forsigtig betjening af redskabet.

Undgå personskader. Gennemlæs følgende instruktioner vedrørende personsikkerhed og insistér på, at de personer, der arbejder sammen med eller for dig, også følger instruktionerne.

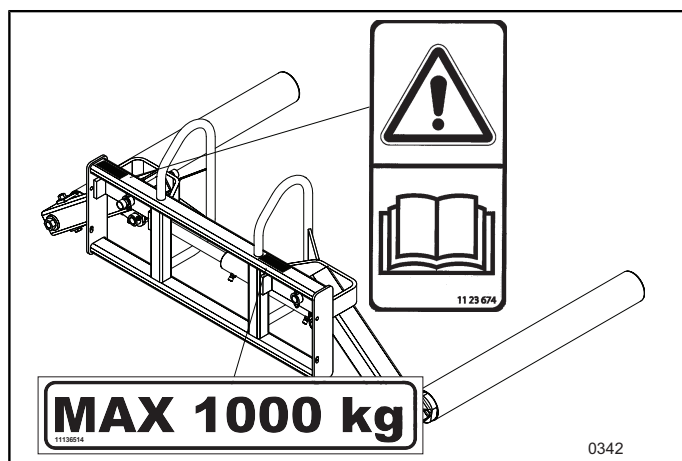
37.1.1. Advarselmærkater

Der er påsat advarselmærkater forskellige steder på redskabet. Find, læs og sæt dig ind i, hvad mærkaterne betyder, før læsset og redskab anvendes.

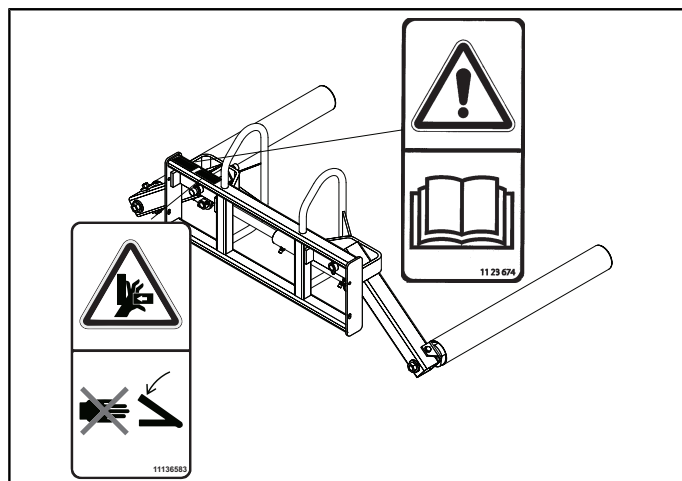
- Ingen advarselmærkater må overdækkes eller fjernes. Hvis en advarselmærkat mangler eller er ulæselig, skal den erstattes med en ny mærkat. Nye advarselmærkater kan fås hos forhandleren.



Figur 144 Placering af maskinskilt.



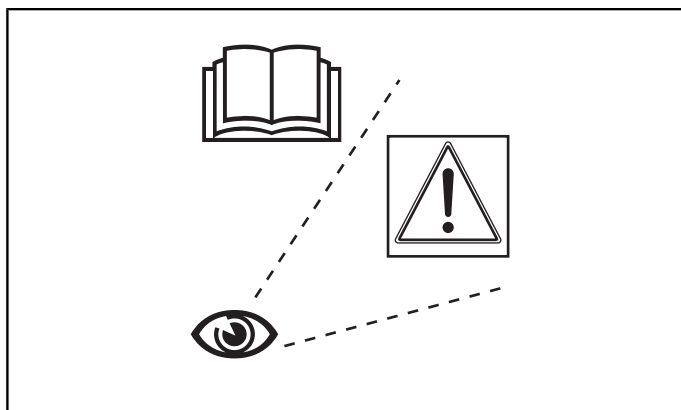
Figur 145 Placering af advarselmærkater



Figur 146 Placering af advarselmærkater (Nordamerika).

37.2. Forklaring af advarselsniveauer

Når du ser sikkerhedssymboler og signalord, på mærkater eller i instruktionsbogen, SKAL instruktionerne følges, eftersom de handler om din egen personlige sikkerhed.



Figur 147 Find, læs og sæt dig ind i, hvad mærkaterne betyder, før læsseren og redskabet anvendes.

37.2.1. Symbolforklaring

Sikkerhedssymbol. Information i forbindelse med dette symbol vedrører din personlige sikkerhed og skal følges.



Fare!

Betyder en umiddelbart farlig situation, som, hvis den ikke undgås, vil medføre dødsfald eller alvorlig personskade. (Kun i Nordamerika)



Advarsel!

Angiver, at der kan ske en ulykke, hvis forskrifterne ikke følges. Ulykken kan medføre alvorlig personskade eller dødsfald.



Forsigtig!

Angiver, at der kan ske en ulykke, hvis forskrifterne ikke følges. Ulykken kan medføre personskade.

Følgende tekst og instruktioner gælder ikke personsikkerhed, men anvendes gennemgående i instruktionsbogen for at give yderligere tips ved betjening af eller service på redskabet.

Vigtigt! Angiver, at der kan ske en ulykke, hvis forskrifterne ikke følges. Ulykken kan medføre skade på ting, proces eller omgivelser.

Bem. Angiver ekstra informationer, som kan lette forståelsen eller udførelsen af en bestemt handling.

37.3. Arbejdsledelse og brugere

37.3.1. Ansvar



Forsigtig!

Denne instruktionsbog og traktorens egen instruktionsbog skal altid opbevares i traktoren.

- Hvis der ikke er en instruktionsbog til traktoren, skal du skaffe en fra forhandleren, før du monterer og bruger læsseren og redskabet.
- Gennemlæs nøje alt materiale, og lær at anvende udstyret sikkert og korrekt.



Figur 148 Sikkerhedssymbol

Advarsel!
 Brug **IKKE** læsseren eller redskabet som arbejdsplatform.

Advarsel!
 Brug kun redskabet til det formål, det er beregnet til.

Advarsel!
 Grib ikke genstande, der forskyder tyngdepunktet væsentligt udefter. Dette kan medføre ustabilitet.

Advarsel!
 Brug **IKKE** læsseren til at løfte eller transportere personer.

- Lad kun kvalificerede personer køre maskinen.

Advarsel!
 Kontroller altid omgivelserne omkring maskinen, og sørg for, at alle personer, især børn, og dyr har flyttet sig, inden maskinen startes eller flyttes.

Du kan ikke høre eventuelle advarselsråb fra personer udenfor, når du sidder inde i førerhuset med lukket dør.

Fare!
 Sådan forhindrer du alvorlige fastklemnings- og knusningsskader, som kan medføre dødsfald: Sørg for, at personer og materiel er på tilstrækkelig afstand, mens redskabet anvendes.

Lær arbejdsområdet og terrænet at kende. Vær opmærksom på frihøjder og begrænsninger, der opstår som følge af den forøgede rækkevidde.



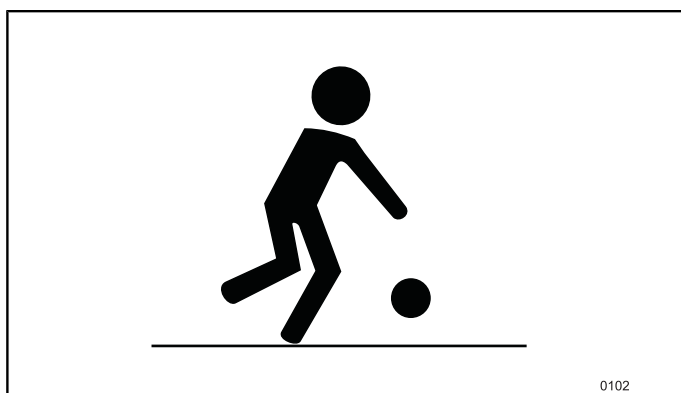
0120

Figur 149 Brug **IKKE** læsseren eller redskabet som arbejdsplatform.



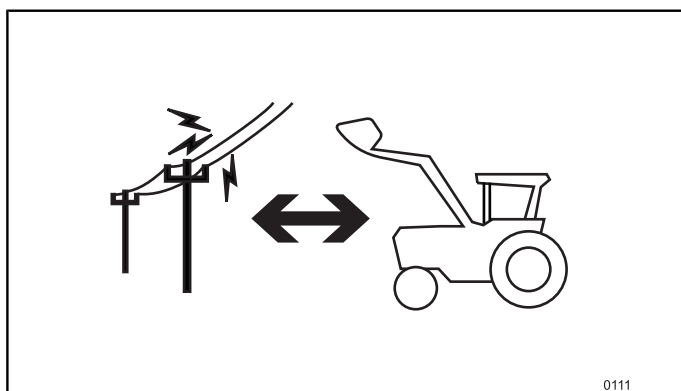
0103

Figur 150 Brug **IKKE** læsseren eller redskabet til at løfte eller transportere personer.



0102

Figur 151 Inden start skal du kontrollere, at der ikke opholder sig personer i nærheden af maskinen.



0111

Figur 152 Lær arbejdsområdet at kende inden start. Hold afstand til elledninger og andre forhindringer.



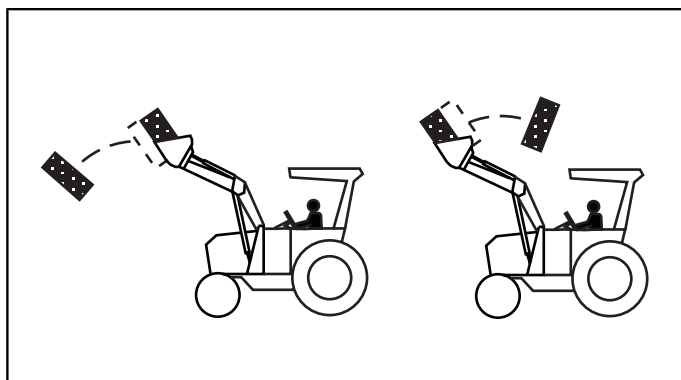
Advarsel!

Se altid på redskabet. Genstande kan falde ned foran traktoren eller rulle bagud og ramme føreren, når læsseren hæves. Løft kun genstande, som redskabet er beregnet til.



Advarsel!

Se altid på redskabet. Genstande kan falde ud under transport. Transportér kun genstande, som redskabet er beregnet til.



Figur 153 Se altid på redskabet. Genstande kan falde ned foran traktoren eller rulle bagud og ramme føreren, når læsseren hæves.



Advarsel!

Stå aldrig mellem traktorens front og læsserens tværrør.



Advarsel!

Risiko for knusning og fastklemning.

Læsseren kan falde ned.

Sænk læsseren/redskabet ned på jorden, inden smøringen påbegyndes.



0106

Figur 154 Stå aldrig mellem traktorens front og læsserens tværrør.



Advarsel!

Kontroller ved montering af slangerne at de er lange nok, og at de ikke kommer i klemme mellem redskabsbeslag, læsserarm eller drejeled - juster evt. koblingerne.



Advarsel!

Olie under tryk.

Hydraulikolie under højt tryk kan blive sprøjtet ind i kroppen ved utæthed og medføre alvorlige skader, blindhed eller død. Utætheden kan være usynlig.

Brug godkendte beskyttelsesbriller, og beskyt huden med f.eks. kraftige læderhandsker. Brug karton eller træ ved søgning efter utætheder. Hvis der er trængt væske ind i huden, SKAL den fjernes i løbet af et par timer af en læge, der kan behandle denne type skader.



0118a

Figur 155 Brug ALDRIG fingre eller hænder ved søgning efter utætheder.

38. BESKRIVELSE

38.1. Definitioner

38.1.1. Tredje hydraulikfunktion

Ekstra hydraulikfunktion til styring af redskabets hydraulik.

38.1.2. ErgoDrive / ErgoDrive LCS

Monteringssettet indeholder en mekanisk manøverventil og mekanisk joystick samt hydrauliktillutning til den anførte traktormodel.

38.1.3. ElectroDrive CDC / ElectroDrive LCS / EasyDrive LCS

Monteringsset som ovenstående, men med elektrisk styreventil og elektrisk joystick.

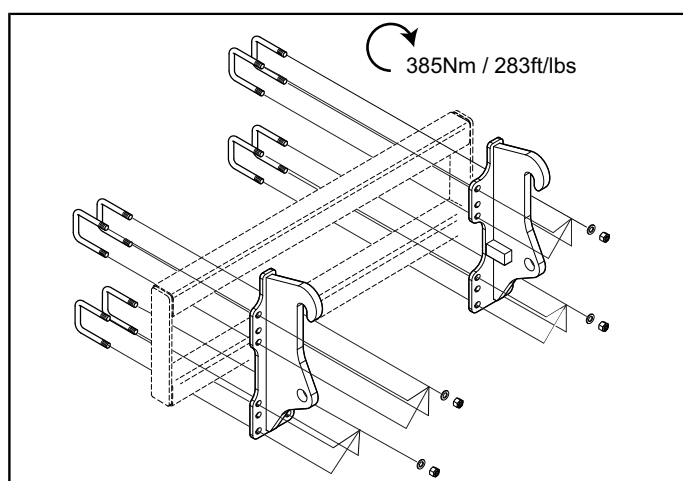
38.1.4. Slangesæt

Slanger og hydraulikkomponenter for tilslutning af læsseren til traktorens originalventil.

38.2. Redskabsbeslag

Redskabet kan udstyres med forskellige typer redskabskroge, afhængigt af læsserens/basismaskinens monteringsbeslag. Der er forskellige fastgørelsessystemer til krogene – svejsede eller forskellige andre skrubbare systemer. Du kan få oplysninger om, hvilke redskabskroge der findes, ved at kontakte Ålö AB. Sørg for, at redskabskrogen passer til læsserens/basismaskinens monteringsystem. **Improviseer eller tilpas aldrig!**

Kontrollér, at låsning af redskabet sker korrekt ud fra de aktuelle instruktioner for læsseren/basismaskinen og redskabsbeslaget før brug.



Figur 156 Redskabet kan udstyres med forskellige typer redskabskroge.

39. ANVENDELSESVEJLEDNING

39.1. Anvendelsesområder

39.1.1. Korrekt brug

Redskabet er udstyret med to ruller, der benyttes til at bære materialet. Transporter materialet så lavt som muligt. Det væsentligste anvendelsesområde er håndtering af:

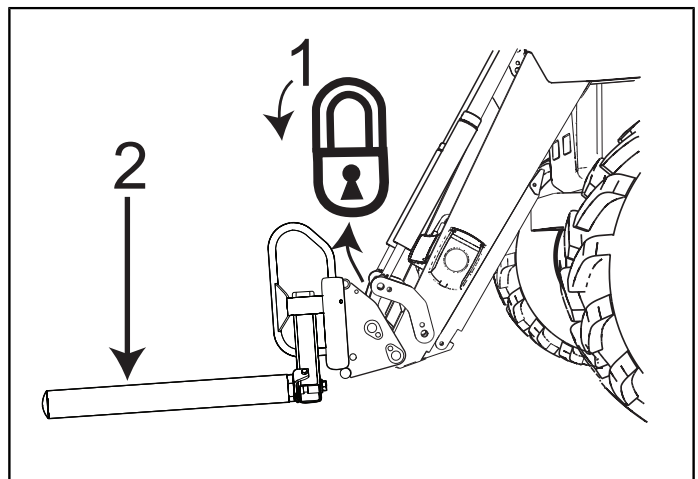
- firkantballer
- rundballer

Sænk læsseren så langt ned som muligt under kørsel. Husk på, at jo højere lasten er løftet, desto højere bliver tyngdepunktet, og dermed bliver risikoen for, at traktoren vælter, også større.

39.2. Ting, der skal gøres, inden redskabet anvendes

Kontroller forsigtigt at:

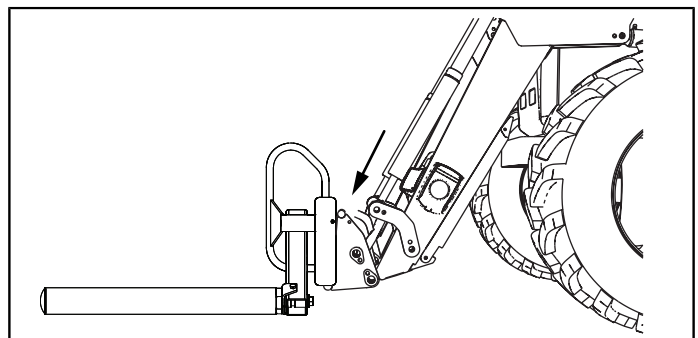
1. Slangen, der er tilsluttet cylinderens (+)-side har rød mærkning, og at redskabet bevæger sig i henhold til beskrivelsen af åbne/lukke.
2. Der ikke forekommer hydraulikolie-lækage.
3. Redskabet er korrekt monteret i redskabsbeslaget, og at tapperne er låst. Pres redskabets spids mod jorden (1) for at kontrollere, at redskabet sidder fast (2).



Figur 157 Kontrollér, at redskabet sidder fast ved at presse spidsen ned mod jorden.

4. Der ikke er risiko for kollision mellem læsser og redskab (se fig.)
5. Smør gear i overensstemmelse 40. *Smøring og vedligeholdelse.*

Se også Til- og frakobling af redskaber i læsserens instruktionsbog.



Figur 158 Kontrollér forsigtigt, at der ikke er risiko for kollision mellem læsseren og redskabet.

**Advarsel!**

Stå, gå eller arbejd **IKKE** under en løftet læssem. Sørg for at holde enkeltpersoner - især børn - og dyr væk fra arbejdsområdet.



0106

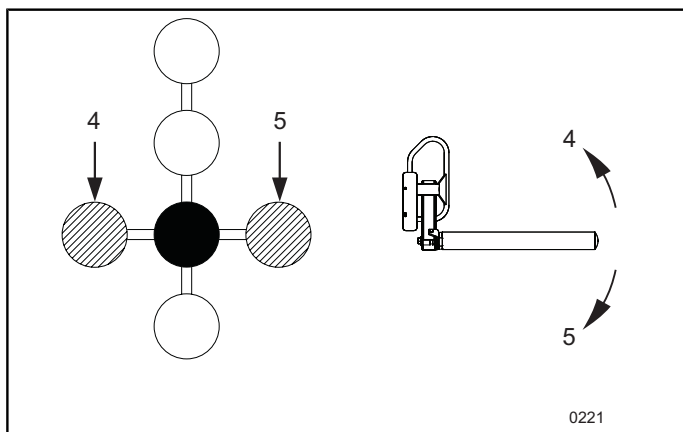
Figur 159 Stå, gå eller arbejd **IKKE** under en løftet læssem.

39.2.1. Tømning/opadvipning af redskab

Højremonteret: før grebet til venstre (4) for at dreje redskabet opefter.

Før grebet mod højre (5) for at tømme redskabet.

Bem. Ved venstremonteret bliver bevægelserne modsatte (gælder ikke EasyDrive LCS og ElectroDrive LCS, som kun findes som højremonteret).



0221

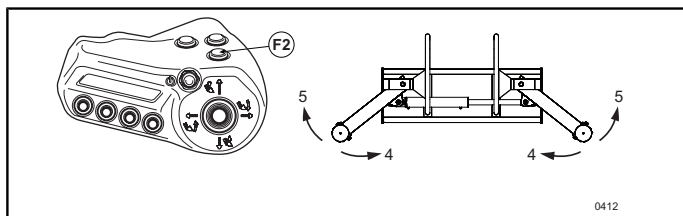
Figur 160 Tømning/opadvipning af redskab

39.2.2. Åbne/lukke redskabet - EasyDrive LCS og ElectroDrive LCS

Til åbning og lukning af redskabet benyttes den tredje hydraulikfunktion, der styres med kontakt F2.

Når grebet føres mod højre (5), åbnes redskabet, og når det føres mod venstre (4), lukkes redskabet (højremonteret).

Når kontakten for den tredje hydraulikfunktion slippes, vender redskabet straks tilbage til tømme/brydefunktion.



0412

Figur 161 Åbne/lukke redskabet - EasyDrive LCS og ElectroDrive LCS

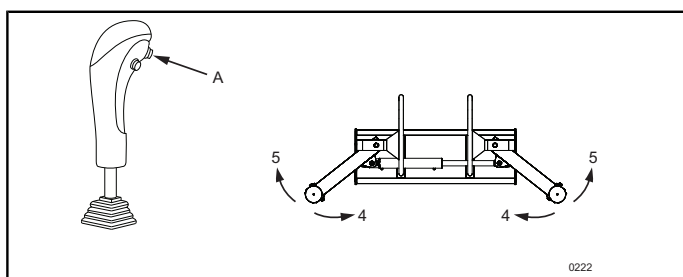
39.2.3. Åbne/lukke redskabet - ErgoDrive LCS/ErgoDrive

Til åbning og lukning af redskabet benyttes den tredje hydrauliske funktion, der styres med en kontakt (A) på forsiden af joystick-grebet.

Når grebet føres mod højre (5), åbnes redskabet, og når det føres mod venstre (4), lukkes redskabet (højremonteret).

Ved venstremonteret er bevægelserne modsat.

Når kontakten for den tredje hydraulikfunktion slippes, vender redskabet straks tilbage til tømme/brydefunktion.



0222

Figur 162 Åbne/lukke redskabet - ErgoDrive LCS/ErgoDrive

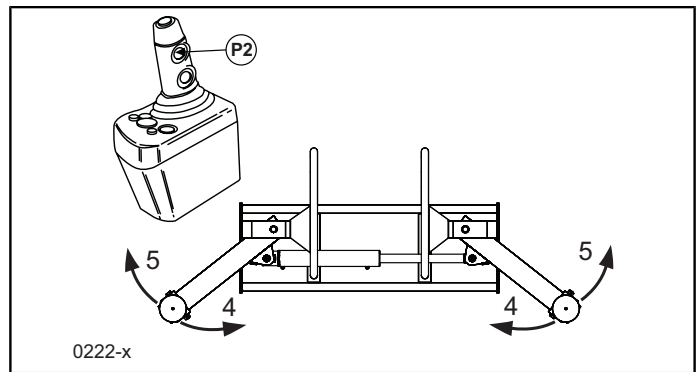
39.2.4. Åbne/lukke redskabet - ElectroDrive CDC

Til åbning og lukning af redskabet benyttes den tredje hydraulikfunktion, der styres med kontakt P2.

Når grebet føres mod højre (5), åbnes redskabet, og når det føres mod venstre (4), lukkes redskabet (højremonteret).

Ved venstremonteret er bevægelserne modsat.

Når kontakten for den tredje hydraulikfunktion slippes, vender redskabet straks tilbage til tømme/brydefunktion.



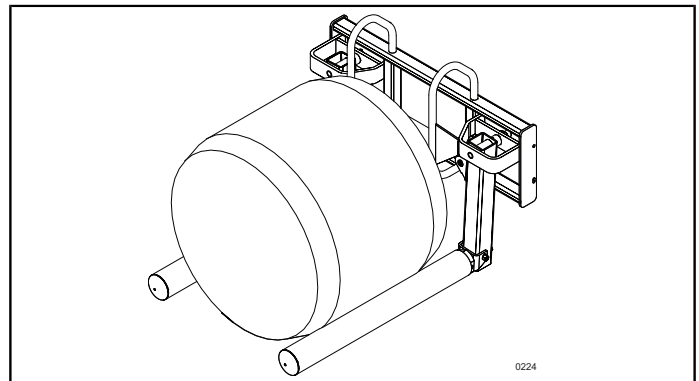
Figur 163 Åbne/lukke redskabet - ElectroDrive CDC

39.2.5. Åbning/lukning af redskabet - slangesæt

Slangesæt - traktorens joystick, se traktorens instruktionsbog.

39.2.6. Anvendelsesvejledning

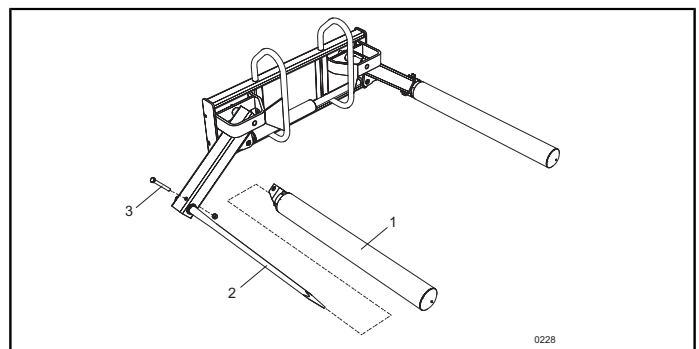
Redskabet er beregnet til håndtering af rundballer (maks. diameter 172 cm). Rullerne reducerer risikoen for, at evt. omslag af plast beskadiges. Sørg for, at rullerne griber om ballerne så lavt som muligt (rullerne skal således IKKE klemme ballen fast).



Figur 164 Anvendelsesvejledning

39.2.7. Ballespyd

Rullerne (1) er lejret på stiften (2). Når skruen (3) fjernes, kan rullen tages af. Så kan redskabet benyttes som ballespyd.



Figur 165 Ballespyd

39.2.8. Ved afsætning

Kobl redskabet fra med rullerne så langt fra hinanden som muligt, men dog ikke med cylinderen i yderstilling - det kan give problemer pga. overtryk, næste gang der skal tilsluttes lynkoblinger.

Se også Til- og frakobling af redskaber i læsserens instruktionsbog.

40. SMØRING OG VEDLIGEHOLDELSE



Advarsel!
Stå aldrig mellem traktorens front og læsserens tværrør.



Figur 166 Stå aldrig mellem traktorens front og læsserens tværrør.

40.1. Smøresteder

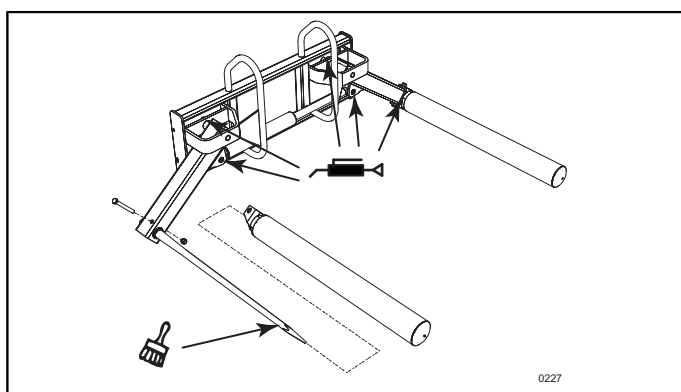
Smør følgende smørenipler med universalfedt for hver 10. driftstime.



Advarsel!
Risiko for knusning og fastklemning.

Læsseren kan falde ned.

Sænk redskabet ned på jorden og luk redskabet, inden smøring påbegyndes.



Figur 167 Smørenipler ved hver ledtap på begge sider af redskabet.

40.2. Opbevaring

Påfør et tyndt lag fedt på synlige stempelstænger for at beskytte dem.

40.3. Slang og cylindre

Læs dette, inden hydrauliksystemet kontrolleres for utætheder:



Advarsel!
Olie under tryk.

Hydraulikolie under højt tryk kan blive sprøjtet ind i kroppen ved utæthed og medføre alvorlige skader, blindhed eller død. Utætheden kan være usynlig.

Brug godkendte beskyttelsesbriller, og beskyt huden med f.eks. kraftige læderhandsker. Brug karton eller træ ved søgning efter utætheder.

Hvis der er trængt væske ind i huden, SKAL den fjernes i løbet af et par timer af en læge, der kan behandle denne type skader.



Figur 168 Brug ALDRIG fingre eller hænder ved søgning efter utætheder.

Kontroller slanger og tilslutninger for slid og utætheder med regelmæssige mellemrum. Sørg for, at slangerne har tilstrækkelig bevægelsesfrihed og ikke gnider mod andre komponenter. Udskift beskadigede slanger, og efterspænd alle tilslutninger.

Cylindrene er dobbeltvirkende. De skal altid holdes i god stand for optimal funktion. Utætheder, indre eller ydre, påvirker funktionen og kan være farlige.

Dette redskab kræver et hydrauliksystem, der arbejder med højt tryk. Brug kun reservedele, der er godkendt af fabrikanten.

40.3.1. Kontrol af hydrauliktilslutninger

Kontroller, at alle slanger og adaptere er spændt til, og at de ikke lækker.

40.3.2. Reparation af hydraulikcylindre

Demontering, reparation og montering af hydraulikcylindre kræver specialværktøj for at forhindre skader på indvendige komponenter. Vi anbefaler, at en cylinder, der skal repareres, sendes til en autoriseret forhandler for afhjælpning.

41. DATA

Cylinder	65/40
Olietryk	120 - 200 bar / 12 - 20 Mpa
Ballestørrelse	120 - 172 cm
Max. last	1000 kg
Max. afstand mellem ruller	172 cm
Vægt	175 kg

41.1. Tabel over anbefalinger

Quicke / Trima

Loader	Q3	Q3S	Q3M	Q3L	Q4	Q4S	Q4M	Q4L	Q5	Q5S	Q5M	Q5L
Flexibal	1	1	1	1	1	1	1	1	1	1	1	1

Loader	Q6	Q6S	Q6M	Q6L	Q7	Q7S	Q7M	Q7L	Q8M
Flexibal	1	1	1	1	1	1	1	1	1

Loader	X1	X1S	X2	X2S	X3	X3S	X4	X4S	X5	X5S
Flexibal	2	2	2	1	2	1	2	1	2	1

1

Anbefalet kombination

2

Ikke anbefalet kombination



Forsigtig!

Som operatør af teleskoplæsser eller leddelt maskine skal man have godt kendskab til den håndterede/transporterede last samt til dens vægt og tyngdepunkt. Vær opmærksom på, at lastens tyngdepunkt kan forskyde basismaskinens samlede tyngdepunkt og dermed give risiko for ustabilitet, hvilket kan føre til skader på maskine, operatør og/eller ejendom eller personer i nærheden.

Vigtigt! Anbefalinger til hjullæssere og andre leddelte maskiner er baseret på basismaskinens tiplast. Vær opmærksom på, at leddelte maskiner bliver ustabile ved skødesløs kørsel, især når man drejer. Udvis forsigtighed!

Vigtigt! Kend LAST og BASISMASKINE godt! Læs manualen til basismaskinen grundigt, og tag hensyn til begrænsningerne for basismaskinen før kørslen.

42. GARANTIBESTEMMELSER

ÅLÖ AB forpligter sig til i en periode på 12 (tolv) måneder fra den dag, hvor læsseren / udstyret leveres til køberen, at udskifte eller reparere dele, som p.g.a. fejl i materiale eller fabrikation kræver afhjælpning. Dette under forudsætning af, at fejlen omgående anmeldes til leverandøren, samt at den defekte læssekasse / del stilles til dennes frie disposition.

For dele, der udskiftes, gælder garantien kun i den resterende garantiperiode.

Garantien omfatter ikke fejl, der skyldes ulykker, manglende vedligeholdelse, ændring eller forkert montering fra købers side. Ved garantiudskiftning af dele, der er udsat for særlig stor slitage, skal køber betale godtgørelse for den tid, de er benyttet.

Godtgørelse ydes ikke for personskader, stilstand, følgeskader eller andre tab.

Test eller fejlfinding, der foretages på anmodning fra køber, udføres uden omkostning for køber, hvis der herved konstateres mangler.

I modsat fald debiteres køber samtlige omkostninger.

Midlertidige reparationer eller meromkostninger som følger af, at arbejdet ikke udføres i normal arbejdstid, godtgøres ikke.

EF-OVERENSSTEMMELSESERKLÆRING

(Direktiv 2006/42/EF, bilag 2A)

ÅLÖ AB

Brännland 300

SE-901 37 Umeå, Sverige

Tlf. +46 (0)90 17 05 00

Erklærer hermed, at:

De redskabsmodeller, der beskrives i denne bog, se forsiden, fra og med produktionsmåned november 2015.

A. er fremstillet i overensstemmelse med RÅDETS DIREKTIV:

- af 17. maj 2006 om indbyrdes tilnærmelse af medlemsstaternes lovgivning om maskiner, 2006/42/EF, under særlig henvisning til direktivets Bilag 1 om væsentlige sikkerheds- og sundhedskrav i forbindelse med konstruktion og fremstilling af maskiner.

B. er fremstillet i overensstemmelse med følgende harmoniserede standarder:

EN ISO 12100:2010, EN ISO 4413:2010, EN 12525:2000+A2 2010.

RISE SMP Svensk Maskinprovning AB, Box 7035, SE-75007 Uppsala, Sverige, har udført frivillig typekontrol for ÅLÖ AB. Certifikatet har nummer: SEC/09/2051 - hydrauliska redskap.

Ansvarlig person for sammenstilling af den tekniske dokumentation i ÅLÖ AB er Anders Lundgren, Produktudviklingsdirektør.



Umeå 2022-09-01

Niklas Åström

Adm. dir.

UK DECLARATION OF CONFORMITY 

(Gælder for det britiske marked)

Address: Manufacturer

ÅLÖ AB

Brännland 300

SE-901 37 Umeå, Sweden

Tel. +46 (0)90 17 05 00

Address: Authorized representative

Alo UK Ltd

Unit 1 Ryelands Business Centre,

Ryelands Lane,

Elmley Lovett,

Droitwich,

Worcestershire

WR9 0PT, UK

Hereby certifies that:

Attachment models described in this document, see front page, from and including manufacturing month November 2015.

- A. manufactured in conformity with the provisions in the Supply of Machinery (Safety) Regulations 2008,
- B. manufactured according to the following designated standards: BS EN ISO 12100:2010, BS EN ISO 4413:2010, BS EN 12525:2000+A2:2010.

RISE SMP Svensk Maskinprovning AB, Box 7035, SE-75007 Uppsala, Sweden, has carried out voluntary type examination for ÅLÖ AB. The certificate has number: SEC/09/2051 – hydraulic implements.

The person authorized to compile technical documentation at ÅLÖ AB is Anders Lundgren, Executive Vice President R&D.



Umeå 2022-09-01

Niklas Åström

President and Chief Executive Officer (CEO)

43. JOHDANTO

43.1. Yleistä



Varoitus!

Huolimaton tai virheellinen käyttö voi johtaa kuljettajan tai muiden henkilöiden vakaviin vahinkoihin kuolemaan. Noudata turvaohjeita.

Tässä ohjekirjassa selostetaan työvälineen käyttö ja huolto. Ohjekirjassa annetut tiedot pitävät paikkansa julkaisun painohetkellä. Kysy jälleenmyyjältäsi neuvoja, jos et ymmärrä jotakin kirjassa esitettyä tietoa.

Jokaisen työvälineen mukana toimitetaan käyttöohje, josta sen käsitteleminen ja kunnossapitäminen käy ilmi. Lue ohjeet ja noudata niitä, jotta työvälineen käyttäminen on turvallista ja käyttökatkokset jäävät lyhyiksi. Tämä työväline on helppo huoltaa. Kunnossapidossa tarvitaan vain tavanomaisia työkaluja.

Lue ohjekirjan teksti ja perehdy siihen huolellisesti, ennen kuin alat käyttää työvälinettä. Jos olet kokematon kuljettaja, perehdy ohjekirjaan ja pyydä kokeneemmilta kuljettajilta neuvoja. Jälleenmyyjäsi voi auttaa sinua opettamalla sinulle koneen käyttöä ja sopivia työmenetelmiä. Pidä tämä ohjekirja helposti saatavilla, mieluiten traktorin ohjaamossa. Hanki uusi ohjekirja, jos vanha on vaurioitunut tai kadonnut.

Lue myös kuormaimen ohjekirja, se sisältää tärkeitä tietoja koskien sinun turvallisuuttasi.



Noudata varovaisuutta!

Lue läpi koko ohjekirja, ennen kuin alat käyttää tuotetta.

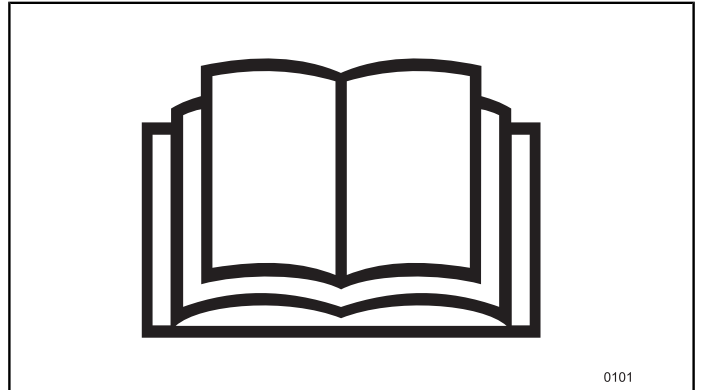
Pidätämme itsellämme oikeuden muuttaa tai parantaa koneen rakennetta tai tehdä muutoksia teknisiin tietoihin ilman ennakoilmoitusta tai muita ehtoja.

Täytä tähän työvälineen kilvessä olevat tiedot ja ilmoita ne aina, kun olet yhteydessä jälleenmyyjään.

Kilvessä ilmoitetaan:

Tuote, tyyppi, viite- ja sarjanumero sekä paino.

Tuote(A), tyyppi (B), sarjanumero (C) tulee aina ilmoittaa huoltokysymysten ja varaosailausten yhteydessä.



0101

Kuva 169 Lue läpi koko ohjekirja, ennen kuin alat käyttää tuotetta.

Tuotetiedot

Product	
Type	
Ref. No.	
Serial No.	
Date	
Weight	
Manufacturer	
Reseller information	

Kuva 170 Tuotetiedot

	Product	XXXXXXXXXXXXXXXXXXXXXXXXXXXX	A	
	Type	XXXXXXXXXXXXXXXXXXXXXXXXXXXX		B
	Ref.No.	XXXXXXXXXX	C	
	Serial No. / Year	XXXXXXXXXX XXXX		
	Made by	ATö AB		
	Made in	Umeå Sweden Made in xxxxxxx		
	Kit No.	XXXXXXXXXX	weight	XXXXXX kg

Kuva 171 Koneen kilpi.

44. TURVALLISUUSOHJEET

44.1. Yleistä

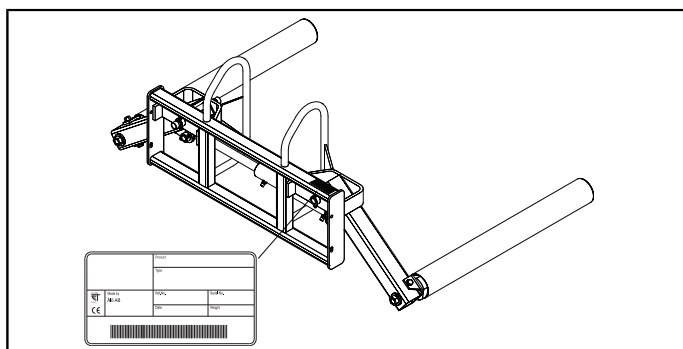
Kuljettajan turvallisuus on yksi tärkeimmistä seikoista uuden työvälineen suunnittelussa. Suunnittelijat varustavat kuormaimen mahdollisimman monilla turvatoiminnoilla. Joka vuosi tapahtuu useita onnettomuuksia, jotka olisi voitu välttää muutaman sekunnin harkinnalla ja työvälineen varovaisemmalla käytöllä.

Estä henkilövahingot. Lue seuraavat henkilöturvallisuutta koskevat ohjeet ja vaadi, että sinun kanssasi tai palveluksessasi työskentelevät myös noudattavat niitä.

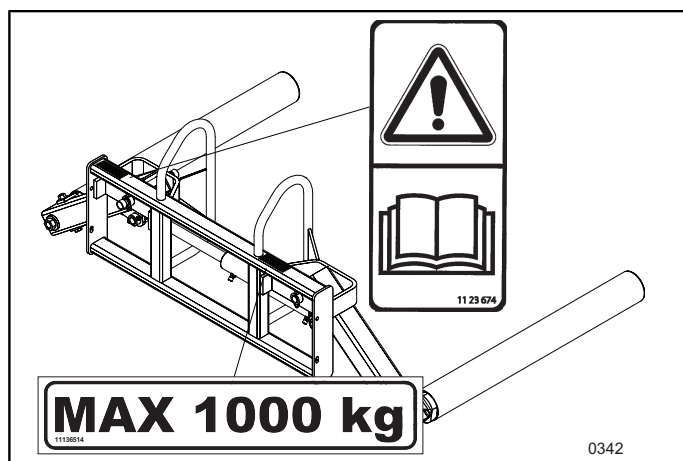
44.1.1. Varoitustarrat

Varoitustarroja on kiinnitetty eri paikkoihin työvälineeseen. Paikanna ja lue tarrat ja selvitä mitä ne merkitsevät, ennen kuin alat käyttää kuormainta ja työvälinettä.

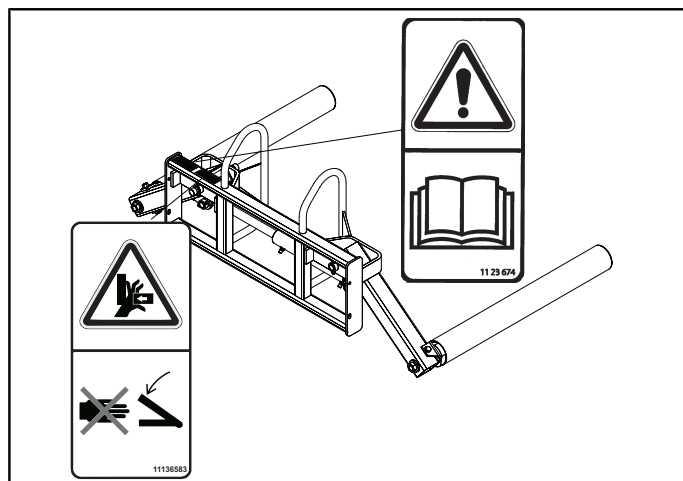
- Älä peitä äläkä poista yhtään varoitustarraa. Jos varoitustarra puuttuu tai sitä ei voi lukea, kiinnitä sen tilalle uusi tarra. Uusia varoitustarroja saa jälleenmyyjältä.



Kuva 172 Koneen kilven sijainti.



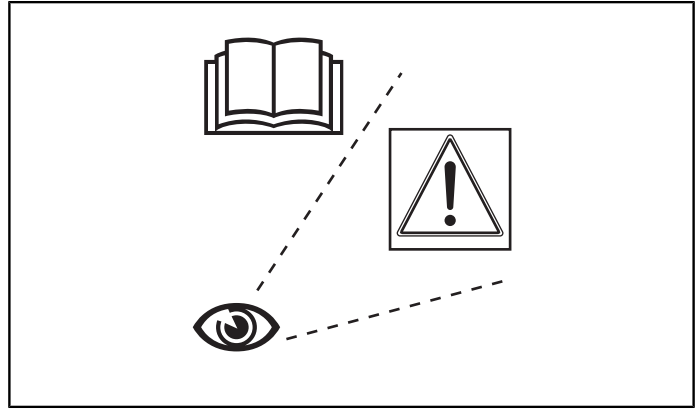
Kuva 173 Varoitustarrojen sijainti



Kuva 174 Varoitustarrojen sijainti (Pohjois-Amerikka).

44.2. Varoitustasojen selitys

Tarroissa tai ohjekirjassa olevia turvallisuussymboleja ja määräyksiä TÄYTYY ehdottomasti noudattaa, sillä ne on laadittu oman turvallisuutesi vuoksi.



Kuva 175 Paikanna ja lue tarrat ja noudata niiden ohjeita, ennen kuin alat käyttää kuormainta ja työvälinettä.

44.2.1. Symbolien selostus

Turvallisuussymboli. Tämän symbolin yhteydessä olevat tiedot koskevat sinun henkilökohtaista turvallisuuttasi ja niitä on noudatettava.



Vaara!

Tarkoittaa välittömästi vaarallisen tilanteen, joka ellei sitä vältetä, johtaa kuolemaan tai vakavaan loukkaantumiseen. (Vain Pohjois-Amerikka)



Varoitus!

Ilmoittaa, että onnettomuus voi tapahtua, jos määräystä ei noudateta. Onnettomuus voi johtaa vakavaan henkilövahinkoon tai kuolemaan.



Noudata varovaisuutta!

Ilmoittaa, että onnettomuus voi tapahtua, jos määräystä ei noudateta. Onnettomuus voi johtaa henkilövahinkoon.



Kuva 176 Turvallisuussymboli.

Seuraavat tekstit ja ohjeet eivät liity henkilöturvallisuuteen, vaan niillä annetaan työvälineen käsittelyä tai huoltoa koskevia lisäohjeita.

Tärkeää! Ilmoittaa, että onnettomuus voi tapahtua, jos määräystä ei noudateta. Onnettomuus voi aiheuttaa omaisuus-, prosessi- tai ympäristövahingon.

Huom. Sisältää lisätietoa, joka voi helpottaa työvaiheen ymmärtämistä tai suorittamista.

44.3. Työnjohto ja käyttäjät

44.3.1. Vastuu



Noudata varovaisuutta!

Säilytä aina tämä ohjekirja sekä traktorin oma ohjekirja traktorissa.

- Jos traktorissa ei ole ohjekirjaa, hanki sellainen jälleenmyyjältä ennen kuormaimen ja työvälineen asennusta ja käyttöä.
- Lue kaikki ohjeet huolellisesti ja opettele käyttämään laitteita turvallisella ja oikealla tavalla.

Varoitus!
ÄLÄ käytä kuormainta tai työvälinettä työtasona.

Varoitus!
 Käytä työvälinettä vain sille tarkoitetulla käyttöalueella.

Varoitus!
 Älä ota työvälineeseen kohdetta, joka siirtää painopistettä merkittävästi ulospäin. Tämä saattaa aiheuttaa epätasapainoa.

Varoitus!
 ÄLÄ käytä kuormainta henkilöiden nostamiseen tai kuljettamiseen.

- Vain valtuutetut henkilöt saavat ajaa konetta.

Varoitus!
 Tarkasta aina ennen koneen käynnistämistä ja liikkeelle lähtöä koneen ympäristö ja varmista, että kaikki ihmiset, etenkin lapset, ja eläimet ovat siirtyneet pois tieltä.

Et mahdollisesti kuule ulkopuolella olevien henkilöiden varoitushuutoja, kun istut ohjaamossa ja ovi on suljettuna.

Vaara!
 Mahdollisesti kuolemaan johtavien ruhjoutumis- ja puristumisvammojen ehkäisemiseksi varmista aina, että kaikki ihmiset ja esineet ovat riittävän etäällä työlaitetta käytettäessä.

Tutustu työalueeseen ja maastoon. Tarkkaile vapaata kulkukorkeutta ja rajoituksia toimintasäteen laajentuessa.



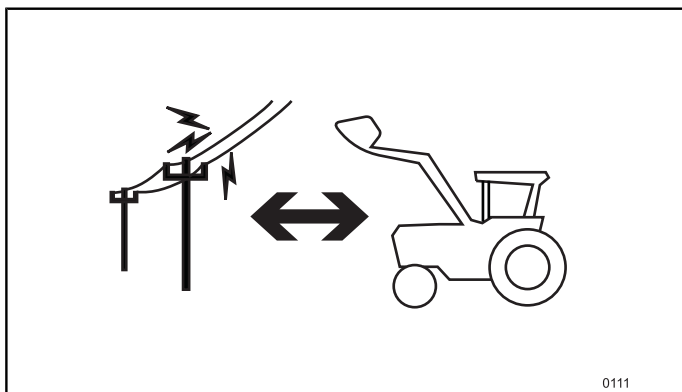
Kuva 177 ÄLÄ käytä kuormainta tai työvälinettä työtasona.



Kuva 178 ÄLÄ käytä kuormainta tai työvälinettä henkilöiden nostamiseen tai kuljettamiseen.



Kuva 179 Varmista aina ennen käynnistystä, että koneen lähellä ei ole ihmisiä.



Kuva 180 Tutustu työalueeseen ennen työn aloittamista. Pidä riittävä etäisyys sähköjohtoihin ja muihin esteisiin.



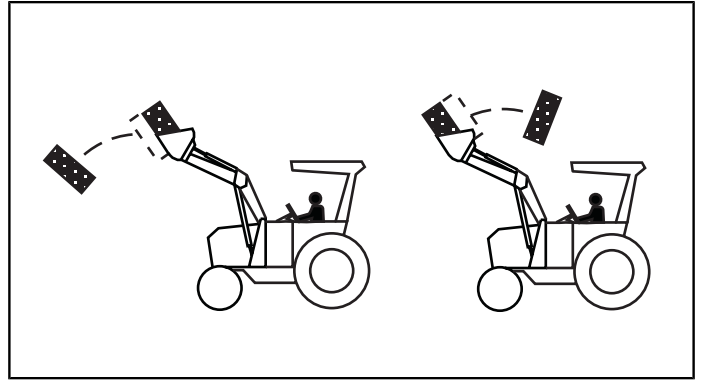
Varoitus!

Katso aina työlaitteeseen. Kohde saattaa kaataa traktorin eteenpäin tai se saattaa vieriä nostettaessa taaksepäin kuljettajan päälle. Nosta vain sellaista kohdetta, joka on tarkoitettu nostettavaksi työlaitteella.



Varoitus!

Katso aina työlaitteeseen. Kohde saattaa pudota kuljetuksen aikana. Kuljeta vain sellaista kohdetta, joka on tarkoitettu kuljetettavaksi työlaitteella.



Kuva 181 Katso aina työlaitteeseen. Kohde saattaa kaataa traktorin eteenpäin tai se saattaa vieriä nostettaessa taaksepäin kuljettajan päälle.



Varoitus!

Älä seiso koskaan traktorin etuosan ja kuormaimen poikkiputken välissä.



Varoitus!

Ruhjoutumis- ja puristumisvaara.

Kuormain voi pudota alas.

Laske kuormain/työlaite maahan ennen voitelun aloittamista.



0106

Kuva 182 Älä seiso koskaan traktorin etuosan ja kuormaimen poikkiputken välissä.



Varoitus!

Tarkista letkujen asennuksen yhteydessä että niiden pituus on aina riittävä ja että ne eivät missään tilanteessa jää puristuksiin työvälinelevyn, aisaston tai nivellenkkien suhteen. Säädä tarvittaessa.



Varoitus!

Paineenalaista öljyä.

Hydrauliöljysuihku voi kohdistua korkealla paineella kehoon vuotokohdasta ja seurauksena voi olla vakavia vammoja, sokeus tai kuolema. Vuoto voi olla näkymätön.

Käytä hyväksytyjä suojalaseja ja suojaa iho esimerkiksi paksuilla nahkahansikkailla. Käytä pahvia tai puuta vuotojen etsinnässä. Jos ihoon on tunkeutunut nestettä, se TÄYTYY poistaa parin tunnin sisällä tämän tyyppisiin vammoihin perehtyneen lääkärin toimesta.



0118a

Kuva 183 ÄLÄ KOSKAAN etsi vuotoja sormien tai käsien avulla.

45. KUVAUS

45.1. Määritelmät

45.1.1. Kolmas hydraulitoiminto

Lisähydraulitoiminto varusteen hydrauliiikan ja lukituksen hallintaan.

45.1.2. ErgoDrive / ErgoDrive LCS

Asennussarja sisältää mekaanisen hallintaventtiilin ja hallintavivuston sekä traktorimallikohtaisen hydrauliliitännän.

45.1.3. ElectroDrive CDC / ElectroDrive LCS / EasyDrive LCS

Asennussarja kuten edellä, mutta sähkötoimisella hallintaventtiilillä ja hallintavivustolla.

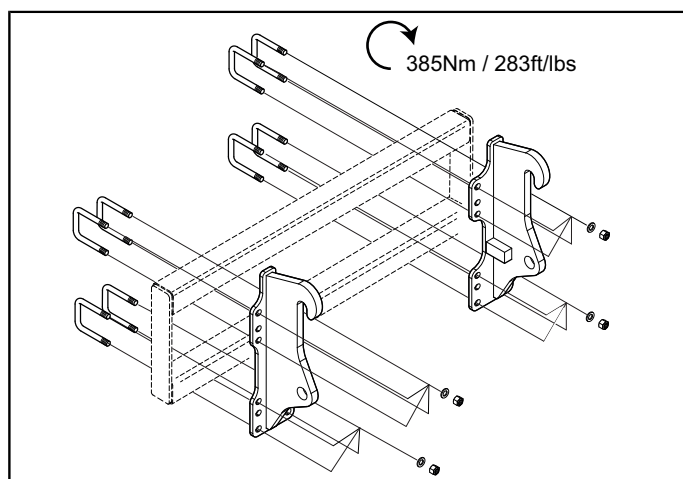
45.1.4. Letkugarja

Letkut ja hydraulikomponentit kuormaimen liittämiseksi traktorin alkuperäiseen venttiiliin.

45.2. Työvälinelevyt

Työlaite voidaan varustaa erityyppisillä työlaitekoukuilla kuormaajan/alustakoneen kiinnityksestä riippuen. Koukuilla on erilaisia kiinnitysjärjestelmiä, ne voidaan hitsata ja kiinnittää erilaisilla pultattavilla järjestelmillä. Lisätietoja siitä, mitä työlaitekoukkuja on saatavana, saat Älö AB:ltä. Varmista, että työlaitekoukku on yhteensopiva kuormaajan/alustakoneen kiinnitysjärjestelmän kanssa. **Älä koskaan improvisoi tai tee muutoksia kiinnitykseen!**

Varmista ennen käyttöä, että lukitset työlaitteen oikein kuormaajan/alustakoneen ja työkalun kiinnityksen ajantasaisten ohjeiden mukaan.



Kuva 184 Työlaite voidaan varustaa erityyppisillä työlaitekoukuilla.

46. KÄYTTÖOHJEET

46.1. Käyttöalueet

46.1.1. Tarkoitettu käyttö

Työväline on varustettu kahdella pyörivällä putkella, joita käytetään materiaalin kantamiseen. Kuljeta materiaalia niin matalalla kuin mahdollista. Pääasiallinen käyttöalue on seuraavien käsittely:

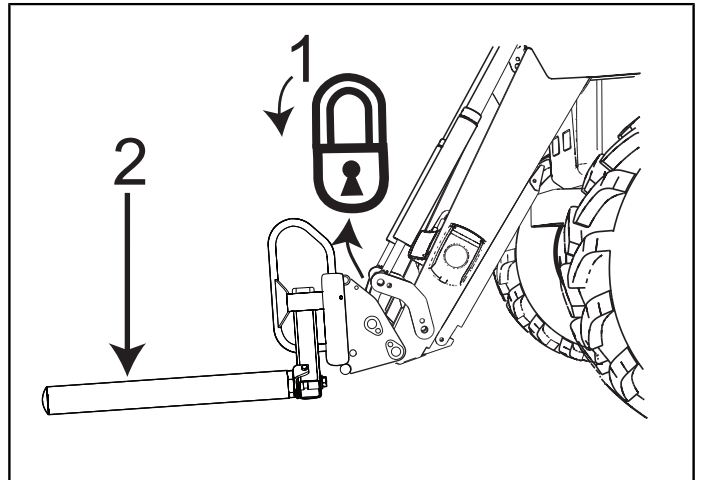
- kanttipaalit
- pyöröpaalit

Laske kuormain mahdollisimman alas ajon ajaksi. Muista, että mitä korkeammalle kuormain nostetaan sitä korkeammalle painopiste siirtyy, ja tällöin lisääntyy myös traktorin kaatumisen vaara.

46.2. Valmistelut ennen työlaitteen käyttöä

Tarkasta huolellisesti että:

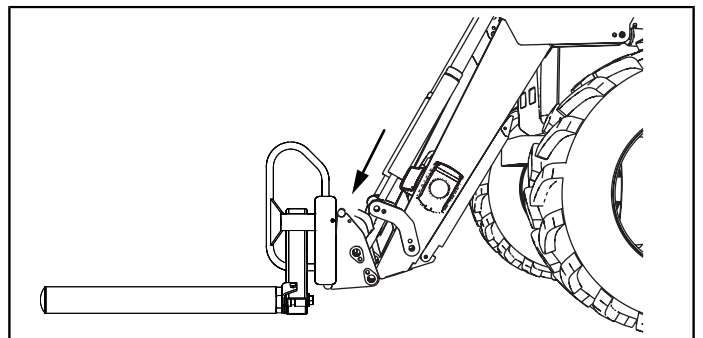
1. Sylinterin (+) puolelle liitetystä letkusta on punainen merkintä ja että työväline liikkuu auki/kiinni kuvauksen mukaan.
2. Mitään hydraulioöljyvuotoa ei esiinny.
3. Työväline on oikein asennettu työvälinelevyyn ja tapit ovat lukittuina paikoilleen. Paina työvälineen kärki maata vasten (1) nähdäksesi, onko se kunnolla kiinni (2).



Kuva 185 Tarkasta, että työväline on kunnolla kiinni painamalla sen kärki maata vasten.

4. Kuormaimen ja työlaitteen välistä törmäysvaaraa ei ole (katso kuvaa).
5. Voitele vaihde mukaisesti 47. Voitelu ja huolto.

Katso myös Työvälineen kiinnitys ja irrotus kuormaimen ohjekirjasta.



Kuva 186 Tarkista huolellisesti, ettei kuormaimen ja työlaitteen välillä ole törmäysvaaraa.

**Varoitus!**

ÄLÄ seiso, kulje tai työskentele ylösnostetun kuormaimen alla. Pidä henkilöt, erityisesti lapset, ja eläimet työalueen ulkopuolella.



0106

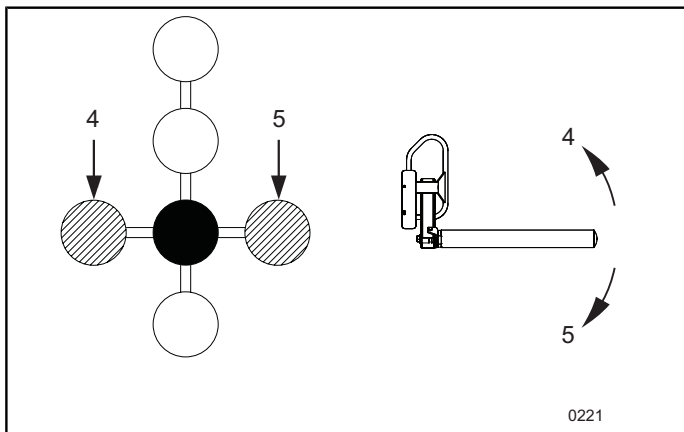
Kuva 187 ÄLÄ seiso, kulje tai työskentele ylösnostetun kuormaimen alla.

46.2.1. Varusteen tyhjennys/avaus

Oikeanpuoleinen asennus: Siirrä vipua vasemmalle (4) työväliseen irrottamiseksi.

Siirrä vipua oikealle (5) työväliseen tyhjentämiseksi.

Huom. Vasemmanpuoleisessa asennuksessa liikkeet ovat käänteiset (ei koske malleja EasyDrive LCS ja ElectroDrive LCS, jotka ovat saatavissa vain oikealle asennettuina).



0221

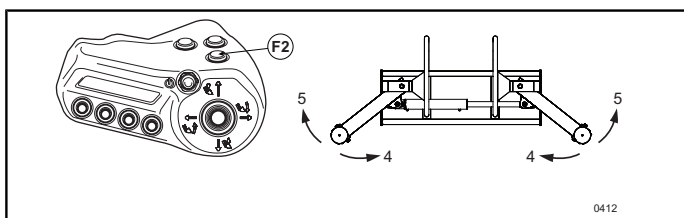
Kuva 188 Varusteen tyhjennys/avaus

46.2.2. Avaa/sulje työväline - EasyDrive LCS ja ElectroDrive LCS

Työväline avataan ja suljetaan kolmannen hydraulitoiminnon avulla, jota ohjataan kytkimellä P2.

Siirrettäessä vipua oikealle (5) työväline avautuu ja siirrettäessä vipua vasemmalle (4) työväline sulkeutuu (oikeanpuoleinen asennus).

Kun kolmannen hydraulitoiminnon kytkin vapautetaan, säädin palautuu välittömästi tyhjennys-/irrotustoimintoon.



0412

Kuva 189 Avaa/sulje työväline - EasyDrive LCS ja ElectroDrive LCS

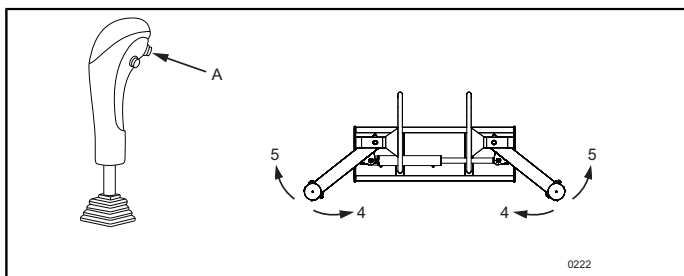
46.2.3. Avaa/sulje työväline - ErgoDrive LCS/ErgoDrive

Työväliseen avaamiseen ja sulkemiseen käytetään kolmatta hydraulitoimintoa, jota ohjataan ohjaussauvan säätimen etupuolella olevalla kytkimellä (A).

Siirrettäessä vipua oikealle (5) työväline avautuu ja siirrettäessä vipua vasemmalle (4) työväline sulkeutuu (oikeanpuoleinen asennus).

Vasemmanpuoleisessa asennuksessa liikkeet ovat päinvastaiset.

Kun kolmannen hydraulitoiminnon kytkin vapautetaan, säädin palautuu välittömästi tyhjennys-/irrotustoimintoon.



0222

Kuva 190 Avaa/sulje työväline - ErgoDrive LCS/ErgoDrive

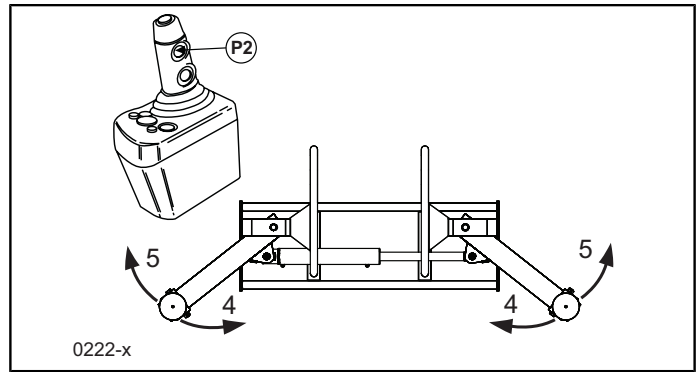
46.2.4. Työvälineen avaaminen/ sulkeminen - ElectroDrive CDC

Työväline avataan ja suljetaan kolmannen hydraulitoiminnon avulla, jota ohjataan kytkimellä P2.

Siirrettäessä vipua oikealle (5) työväline avautuu ja siirrettäessä vipua vasemmalle (4) työväline sulkeutuu (oikeanpuoleinen asennus).

Vasemmanpuoleisessa asennuksessa liikkeet ovat päinvastaiset.

Kun kolmannen hydraulitoiminnon kytkin vapautetaan, säädin palautuu välittömästi tyhjennys-/irrotustoimintoon.



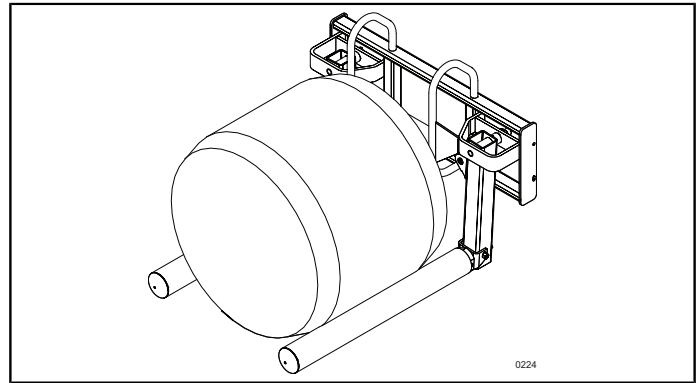
Kuva 191 Työvälineen avaaminen/sulkeminen - ElectroDrive CDC

46.2.5. Työvälineen avaaminen/ sulkeminen - Letkusarja

Letkusarja - traktorin ohjaussauva, katso traktorin ohjekirjaa.

46.2.6. Käyttöohje

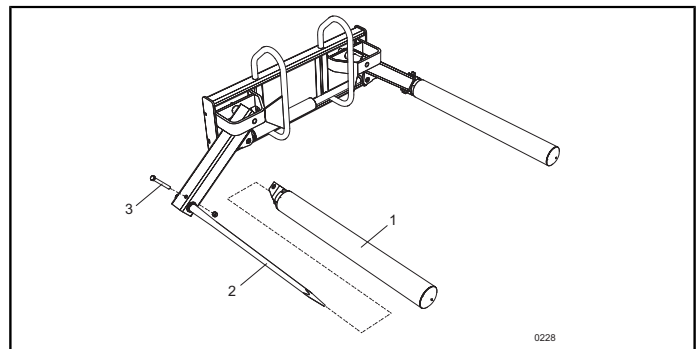
Työväline on varustettu pyöröpaalien (enimmäishalkaisija 172 cm) käsittelyä varten. Putket vähentävät muovikääreen vahingoittumisriskiä. Varmista, että pyörivät putket tarttuvat paaliin mahdollisimman alhaalta (putket EIVÄT saa puristaa paalia).



Kuva 192 Käyttöohje

46.2.7. Paalipiikki

Putket (1) on asetettu tappeihin (2). Putki voidaan irrottaa poistamalla ruuvi (3). Työvälinettä voidaan tällöin käyttää paalipiikkinä.



Kuva 193 Paalipiikki

46.2.8. Irrottaminen

Irrota työväline pyörivien putkien ollessa mahdollisimman etäällä toisistaan, mutta sylinteri ei saa kuitenkaan olla pääteasennossa - ylipaineen johdosta voi syntyä vaikeuksia, kun pikaliittimet seuraavan kerran kytketään.

Katso myös Työvälineen kiinnitys ja irrotus kuormaimen ohjekirjasta.

47. VOITELU JA HUOLTO



Varoitus!

Älä seiso koskaan traktorin etuosan ja kuormaimen poikkiputken välissä.



0106

Kuva 194 Älä seiso koskaan traktorin etuosan ja kuormaimen poikkiputken välissä.

47.1. Voitelukohtat

Voitele seuraavat voitelunipat yleisrasvalla 10 käyttötunnin välein.

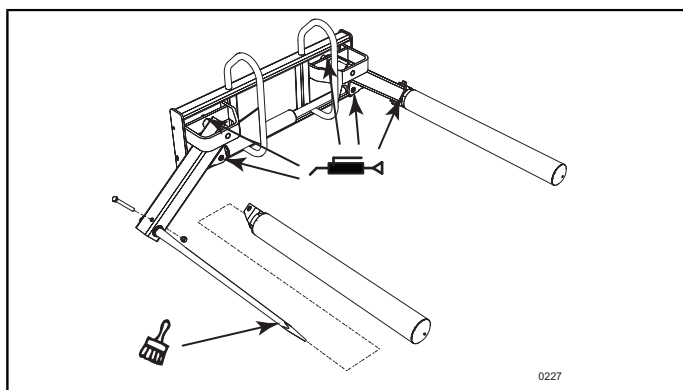


Varoitus!

Ruhjoutumis- ja puristumisvaara.

Kuormain voi pudota alas.

Laske työkone maahan ja sulje työväline ennen voitelun aloittamista.



0227

Kuva 195 Voitelunipat kussakin niveltapissa työvälineen molemmilla puolilla.

47.2. Säilytys

Laita ohut kerros rasvaa näkyvissä oleviin männäntankoihin niiden suojaamiseksi.

47.3. Letkut ja sylinterit

Lue tämä ennen kuin tarkastat, onko hydraulijärjestelmässä vuotoa:



Varoitus!

Paineenalaista öljyä.

Hydrauliöljysuihku voi kohdistua korkealla paineella kehoon vuotokohdasta ja seurauksena voi olla vakavia vammoja, sokeus tai kuolema. Vuoto voi olla näkymätön.

Käytä hyväksytyjä suojalaseja ja suojaa iho esimerkiksi paksuilla nahkahansikkailla. Käytä pahvia tai puuta vuotojen etsinnässä. Jos ihoon on tunkeutunut nestettä, se TÄYTYY poistaa parin tunnin sisällä tämän tyyppisiin vammoihin perehtyneen lääkärin toimesta.



0118a

Kuva 196 ÄLÄ KOSKAAN etsi vuotoja sormien tai käsien avulla.

Tarkasta letkut ja liitännät säännöllisin välein kuluneisuuden ja vuotojen varalta. Varmista, että letkuilla on riittävästi liikkumavaraa ja että ne eivät hankaudu muihin osiin. Vaihda vaurioituneet letkut ja kiristä kaikki liitännät.

Sylinterit ovat kaksitoimisia. Ne on pidettävä aina hyvässä kunnossa optimaalisen toiminnan varmistamiseksi. Vuodot, sisäiset tai ulkoiset, vaikuttavat suorituskykyyn ja voivat aiheuttaa vaaraa.

Tämä työkalu vaatii korkealla paineella toimivan hydraulijärjestelmän. Käytä vain valmistajan hyväksymiä varaosia.

47.3.1. Hydrauliliitäntöjen tarkastus

Tarkasta, että letkut ja sovittimet on kiristetty ja että ne eivät vuoda.

47.3.2. Hydraulisyylinterien korjaus

Hydraulisyylinterien irrotuksessa, korjauksessa ja asennuksessa on käytettävä erikoistyökaluja sisäisten komponenttien vaurioiden estämiseksi. Suosittelemme, että korjausta tarvitseva sylinteri lähetetään valtuutetulle jälleenmyyjälle korjattavaksi.

48. TIEDOT

Sylinteri	65/40
Öljynpaine	120 - 200 bar / 12 - 20 Mpa
Paalin koko	120 - 172 cm
Suurin kuorma	1 000 kg
Putkien suurin sallittu etäisyys	172 cm
Paino	175 kg

48.1. Suositustaulukko

Quicke / Trima

Loader	Q3	Q3S	Q3M	Q3L	Q4	Q4S	Q4M	Q4L	Q5	Q5S	Q5M	Q5L
Flexibal	1	1	1	1	1	1	1	1	1	1	1	1

Loader	Q6	Q6S	Q6M	Q6L	Q7	Q7S	Q7M	Q7L	Q8M
Flexibal	1	1	1	1	1	1	1	1	1

Loader	X1	X1S	X2	X2S	X3	X3S	X4	X4S	X5	X5S
Flexibal	2	2	2	1	2	1	2	1	2	1

1 Suositeltu yhdistelmä

2 Ei suositeltava yhdistelmä



Noudata varovaisuutta!

Teleskooppikuormaajan tai runko-ohjatun koneen käyttäjän on tunnettava hyvin käsiteltävän/kuljetettavan kuorman käsittelyyn liittyvät seikat, kuten sen paino ja painopiste. Huomaa, että kuorman painopiste voi siirtää alustakoneen koko painopistettä ja siten vaarantaa sen vakauden, mikä voi vahingoittaa konetta, kuljettajaa ja/tai omaisuutta tai lähiympäristössä olevia ihmisiä.

Tärkeää! Pyöräkuormaajien ja muiden runko-ohjattavien koneiden suositukset perustuvat alustakoneen kaatokuormaan. Huomaa, että runko-ohjatut koneet ovat epävakaita, kun niitä ajetaan huolimattomasti, erityisesti käännyttäessä – ole varovainen!

Tärkeää! Tunne KUORMA ja ALUSTAKONE hyvin! Lue huolellisesti alustakoneen ohjekirja ja noudata sen käyttörajoituksia.

49. TAKUUMÄÄRÄYKSET

ÄLÖ AB sitoutuu 12 (kahdentoista) kuukauden ajan kuormaimen/varustuksen toimittamisesta ostajalle vaihtamaan tai korjaamaan osat, jotka aine- tai valmistusvian johdosta vaativat korjausta. Edellytyksenä on, että viasta ilmoitetaan toimittajalle välittömästi, sekä että viallinen kuormain/osa luovutetaan tämän käyttöön vapaasti.

Takuu kattaa vaihdetut osat vain jäljellä olevan takuuajan.

Takuu ei kata ostajasta johtuvia onnettomuudesta, puutteellisesta huollosta, muutoksesta tai virheellisestä asennuksesta aiheutuneita vikoja. Erityisen suurelle kulumiselle alttiina olleiden, takuuna vaihdettavien osien kohdalla ostaja vastaa kustannuksista niiden käyttöajan osalta

Henkilövahingot, seisonta-aika, seurannaisvahingot tai muut tappiot eivät sisälly korvaukseen.

Ostajan pyynnöstä tehty testi tai vianetsintä ei aiheuta kustannuksia ostajalle, jos siinä todetaan puutteellisuksia.

Muussa tapauksessa ostajaa veloitetaan kaikista kustannuksista.

Tilapäisiä korjauksia tai työajan ulkopuolella tehdyn työn aiheuttamia lisäkustannuksia ei korvata.

EY-VAATIMUSTENMUKAISUUSVAKUUTUS

(direktiivi 2006/42/EY, liite 2A)

ÄLÖ AB

Brännland 300

SE-901 37 Umeå, Sverige

Puh. +46 (0)90 17 05 00

Täten vakuutetaan, että

Tässä kirjassa kuvatut työvälinemallit, katso etusivu, alkaen valmistuskuukauden marraskuun 2015 alusta.

A. ovat yhdenmukaisia seuraavien NEUVOSTON DIREKTIIVIEN kanssa:

- 17. toukokuuta 2006 annettu koneita koskeva direktiivi jäsenvaltioiden lainsäädännön lähentämisestä 2006/42/EY, viitaten erityisesti direktiivin Liitteeseen 1 koskien olennaisia terveys- ja turvallisuusvaatimuksia koneiden suunnittelussa ja valmistuksessa.

B. on valmistettu seuraavien yhdenmukaistettujen standardien mukaisesti:

EN ISO 12100:2010, EN ISO 4413:2010, EN 12525:2000+A2 2010.

RISE SMP Svensk Maskinprovning AB, Box 7035, SE-75007 Uppsala, Ruotsi, on suorittanut vapaaehtoisen tyyppitarkastuksen, ÄLÖ AB sertifiikaatin numero on: SEC/09/2051 – hydrauliset työkalut.

Teknisestä dokumentaatiosta vastaava henkilö ÄLÖ AB:ssä on Anders Lundgren, tuotekehitysjohtaja.



Umeå 2022-09-01

Niklas Åström

Toimitusjohtaja

UK DECLARATION OF CONFORMITY **UK
CA**

(Koskee Ison-Britannian markkinoita)

Address: Manufacturer	Address: Authorized representative
ÅLÖ AB	Alo UK Ltd
Brännland 300	Unit 1 Ryelands Business Centre,
SE-901 37 Umeå, Sweden	Ryelands Lane,
Tel. +46 (0)90 17 05 00	Elmley Lovett,
	Droitwich,
	Worcestershire
	WR9 0PT, UK

Hereby certifies that:

Attachment models described in this document, see front page, from and including manufacturing month November 2015.

- A. manufactured in conformity with the provisions in the Supply of Machinery (Safety) Regulations 2008,
- B. manufactured according to the following designated standards: BS EN ISO 12100:2010, BS EN ISO 4413:2010, BS EN 12525:2000+A2:2010.

RISE SMP Svensk Maskinprovning AB, Box 7035, SE-75007 Uppsala, Sweden, has carried out voluntary type examination for ÅLÖ AB. The certificate has number: SEC/09/2051 – hydraulic implements.

The person authorized to compile technical documentation at ÅLÖ AB is Anders Lundgren, Executive Vice President R&D.



Umeå 2022-09-01

Niklas Åström

President and Chief Executive Officer (CEO)

51. SIKKERHETSINSTRUKSJONER

51.1. Generell informasjon

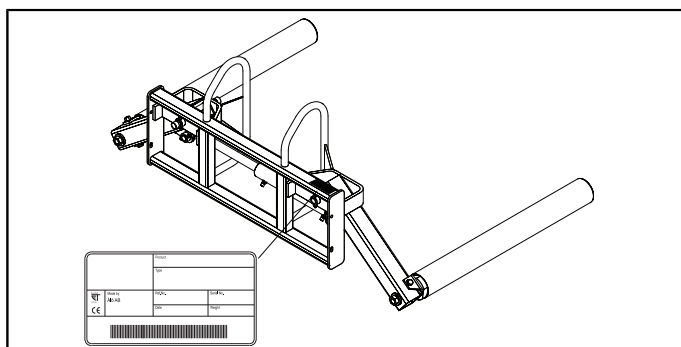
Førerens sikkerhet er et av de viktigste punktene ved konstruksjon av et nytt redskap. Konstruktørene bygger inn så mange sikkerhetsfunksjoner som mulig. Hvert år skjer det flere ulykker som kan unngås med noen sekunders ettertanke samt forsiktigere manøvrering av redskapet.

Unngå personskader. Les følgende instruksjoner for personsikkerhet og insister på at personer som arbeider med eller for deg, også følger instruksjonene.

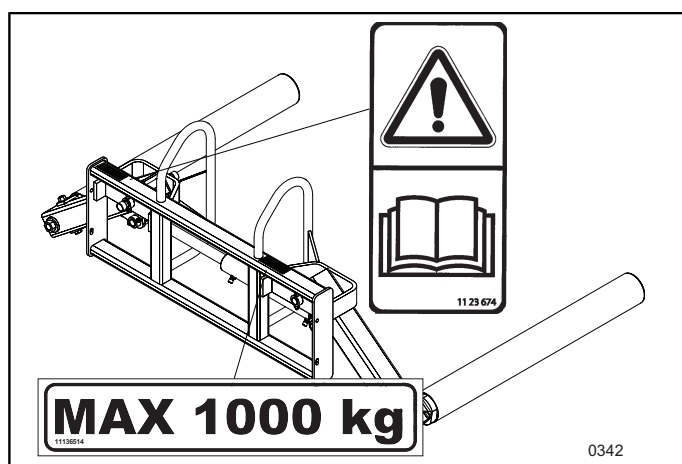
51.1.1. Varselskilt

Varselskilt er montert på forskjellige steder på redskapet. Lokaliser, les og finn ut hva skiltene betyr før laster og redskap tas i bruk.

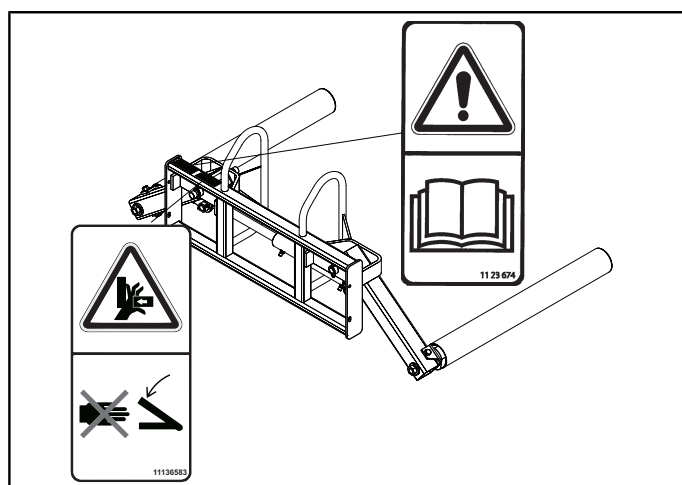
- Ikke dekk til eller fjern noen av varselskiltene. Hvis et varselskilt mangler eller er uleselig, må det erstattes med et nytt skilt. Du får nye varselskilt hos din forhandler.



Figur 200 Plassering av maskinskilt.



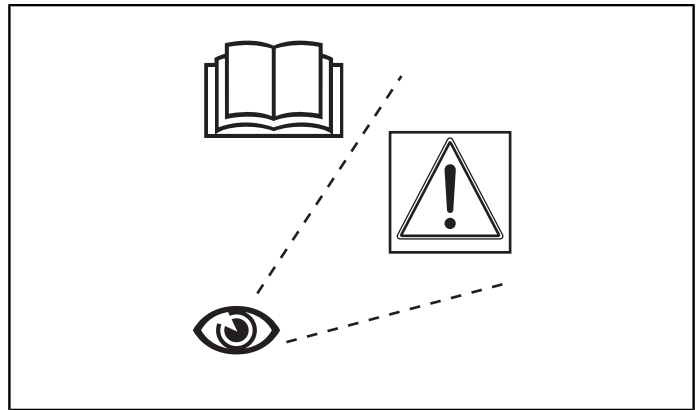
Figur 201 Plassering av varselskilt



Figur 202 Plassering av varselskilt (Nordamerika).

51.2. Forklaring av farenivåer

Når du ser sikkerhetssymboler og signalord, på varselskilt eller i instruksjonsboken, MÅ instruksjonene følges ettersom de er forbundet med din egen personlige sikkerhet.



Figur 203 Lokaliser, les og finn ut hva skiltene betyr før lasteren og redskapet tas i bruk.

51.2.1. Symbolforklaring

Sikkerhetssymbol. Informasjon i forbindelse med dette symbolet gjelder din personlige sikkerhet, og må følges.



Fare!

Betyr en øyeblikkelig farlig situasjon som, hvis den ikke unngås, vil føre til død eller alvorlig personskade. (Nord-Amerika)



Advarsel!

Angir at det kan komme til å inntreffe en ulykke hvis forskriften ikke følges. Ulykken kan føre til alvorlig personskade eller dødsfall.



Forsiktig!

Angir at det kan komme til å inntreffe en ulykke hvis forskriften ikke følges. Ulykken kan føre til personskade.

Følgende tekst og instruksjoner gjelder ikke personsikkerhet, men brukes gjennomgående i instruksjonsboken for å gi ytterligere tips i forbindelse med bruk av eller service av redskapet.

Viktig! Angir at det kan komme til å inntreffe en ulykke hvis forskriften ikke følges. Ulykken kan føre til skade på eiendeler, utstyr eller omgivelser.

Merk: Angir ekstra informasjon som kan gjøre det enklere å forstå eller gjennomføre et bestemt moment.

51.3. Arbeidsledelse og brukere

51.3.1. Ansvar



Forsiktig!

Oppbevar alltid denne instruksjonsboken og traktorens egen instruksjonsbok i traktoren.

- Dersom det ikke finnes noen instruksjonsbok for traktoren, må det anskaffes en slik fra forhandleren før du monterer og benytter lasteren og redskapet.
- Les nøye gjennom alt materiell og lær deg å bruke utstyret på sikker og riktig måte.



Figur 204 Sikkerhetssymbol.

Advarsel!
IKKE bruk lasteren eller redskapet som arbeidsplattform.

Advarsel!
Bruk redskapet kun for tiltenkt bruksområde.

Advarsel!
Ikke grip objekter som vesentlig forskyver tyngdepunktet utover. Kan føre til ustabilitet.

Advarsel!
IKKE bruk lasteren til å løfte eller transportere personer.

- La kun kvalifiserte personer kjøre maskinen.

Advarsel!
Kontroller alltid omgivelsene rundt maskinen og sørg for at alle mennesker, framfor alt barn, og dyr har flyttet seg før maskinen startes eller kjøres av gårde.

Du kan ikke høre varselrop fra personer utenfor når du sitter inne i førerhuset med lukket dør.

Fare!
Ta hensyn til følgende for å unngå alvorlige klem- og knuseskader som kan sette liv og helse på spill: Sørg for at enkeltpersoner og gjenstander holder god avstand mens redskapet brukes.

Gjør deg kjent med arbeidsområdet og terrenget. Vær oppmerksom på fri høyde og begrensninger som oppstår av den økte rekkevidden.



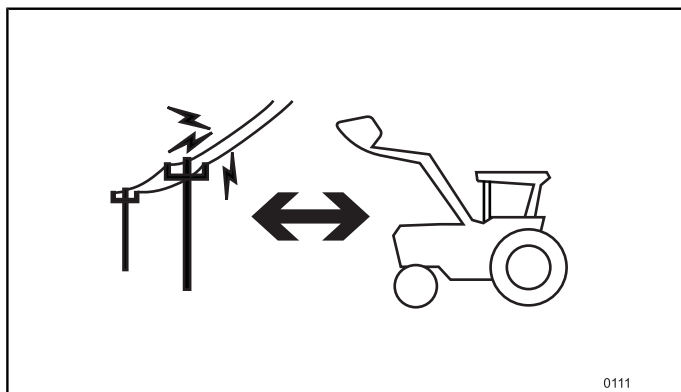
Figur 205 IKKE bruk lasteren eller redskapet som arbeidsplattform.



Figur 206 IKKE bruk lasteren eller redskapet til å løfte eller transportere personer.



Figur 207 Før start må du forvise deg om at ingen personer befinner seg i nærheten av maskinen.



Figur 208 Gjør deg kjent med arbeidsområdet før start. Hold avstand til elektriske ledninger og andre hindringer.



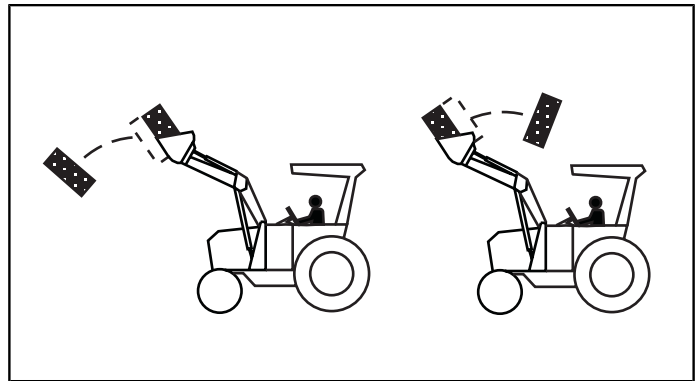
Advarsel!

Hold alltid øye med redskapet. Gjenstander kan falle foran traktoren eller rulle bakover på føreren når lasteren heves. Løft kun gjenstander som redskapet er beregnet for.



Advarsel!

Hold alltid øye med redskapet. Gjenstander kan falle ut under transport. Transporter kun gjenstander som redskapet er beregnet for.



Figur 209 Hold alltid øye med redskapet. Gjenstander kan falle foran traktoren eller rulle bakover på føreren når lasteren heves.



Advarsel!

Stå aldri mellom traktorens front og lasterens tverrør.



Advarsel!

Knuse- og klemfare.

Lasteren kan falle ned.

Senk lasteren/redskapet til bakken før du begynner smøringen.



0106

Figur 210 Stå aldri mellom traktorens front og lasterens tverrør.



Advarsel!

Kontroller ved montering av slangene at slangelengden er lang nok og at de ikke kommer i klem mellom redskapsfeste, lasterarm eller overføringer – juster ev. koblingene.



Advarsel!

Trykksatt olje.

Hydraulikkolje med høyt trykk kan sprøytes inn i kroppen ved lekkasje og forårsake alvorlige skader, blindhet eller dødsfall. Lekkasjen kan være usynlig.

Benytt godkjente vernebriller, og beskytt huden med f.eks. kraftige skinnhansker. Benytt papp eller tre ved søking etter lekkasjer. Hvis det har trengt inn væske i huden, MÅ den fjernes i løpet av et par timer av lege som kan behandle denne typen skader.



0118a

Figur 211 Benytt ALDRI fingre eller hender ved lekkasjesøking.

52. BESKRIVELSE

52.1. Definisjoner

52.1.1. Tredje hydraulikkfunksjon

Ekstra hydraulikkfunksjon for betjening av redskapets hydraulikk og redskapslås.

52.1.2. ErgoDrive / ErgoDrive LCS

Monteringssettet inneholder en mekanisk manøverventil og mekanisk manøverspak samt hydraulikktilkobling for angitt traktormodell.

52.1.3. ElectroDrive CDC / ElectroDrive LCS / EasyDrive LCS

Monteringssett som ovanfor, men med elektrisk manøverventil og elektrisk manøverkontroller.

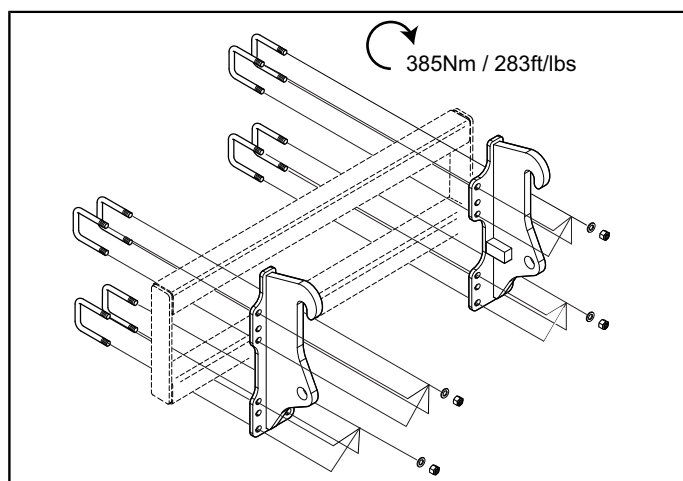
52.1.4. Slangesett

Slanger og hydraulikkomponenter for tilkobling av lasteren til traktorens originalventil.

52.2. Redskapsfester

Redskapet kan utstyres med ulike typer redskapskroker, avhengig av lasterens/basismaskinens innfesting. Det finnes ulike festesystemer for krokene; sveisede eller ulike boltede systemer. Hvis du ønsker informasjon om hvilke redskapskroker som er tilgjengelige, kan du kontakte Ålö AB. Forviss deg om at redskapskroken er kompatibel med lasterens/basismaskinens innfestingssystem. **Du må aldri improvisere eller gjøre tilpasninger!**

Sørg for at redskapene låses riktig i henhold til instruksjonene for lasteren/basismaskinen og redskapsfestet før bruk.



Figur 212 Redskapet kan utstyres med ulike typer redskapskroker.

53. KJØREINSTRUKSJONER

53.1. Bruksområder

53.1.1. Tiltenkt bruk

Redskapet er utstyrt med to ruller som brukes til å bære materialet. Transporter materialet så lavt som mulig. Det viktigste bruksområdet er håndtering av:

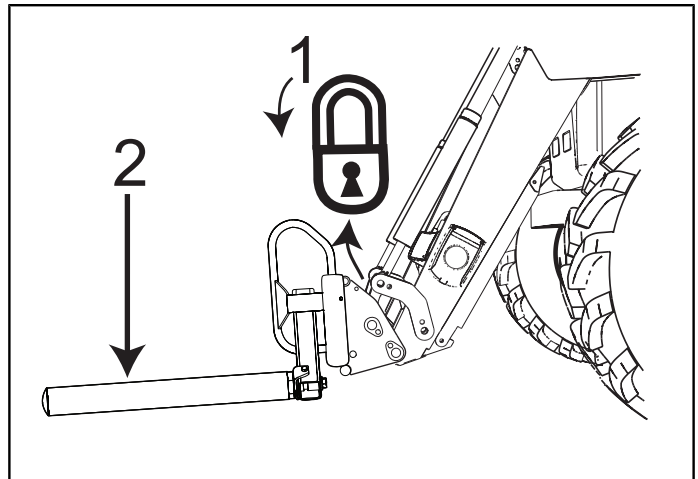
- firkantballer
- rundballer

Senk lasteren så lavt som mulig under kjøringen. Husk at jo høyere lasteren er løftet, desto høyere ligger tyngdepunktet, og dermed er faren for at traktoren skal velte også større.

53.2. Klargjøring av redskap for bruk

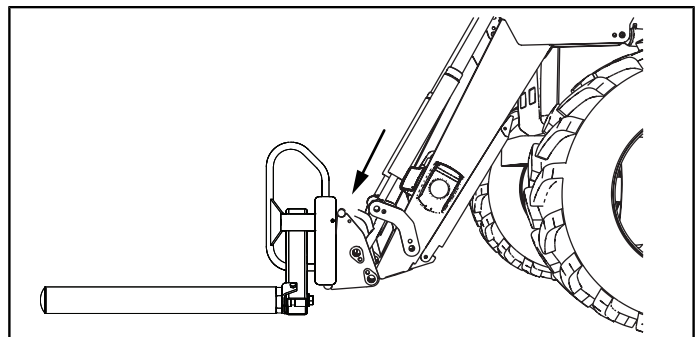
Kontroller forsiktig at:

1. Slange koblet til sylindrens (+)-side har rød markering og at redskapet beveger seg i henhold til beskrivelse for åpne/stenge.
2. Ingen hydraulikkoljelekkasje forekommer.
3. Redskapet er riktig montert i redskapsfestet og at tappene er i låst posisjon. Press redskapens spiss mot bakken (1) for å kontrollere at redskapet sitter fast (2).



Figur 213 Kontroller at redskapet sitter fast ved å presse spissen på det mot bakken.

4. Ingen kollisjonsrisiko mellom laster og redskap foreligger (se bilde).
 5. Smøre redskap i henhold 54. *Smøring og vedlikehold.*
- Se også Til- og frakobling av redskap i lasterens instruksjonsbok.



Figur 214 Kontroller at det ikke foreligger kollisjonsfare mellom laster og redskap.

**Advarsel!**

IKKE stå, gå eller arbeid under eller ved en løftet laster. Sørg for å holde alle personer, særlig barn, og dyr borte fra arbeidsområdet.



0106

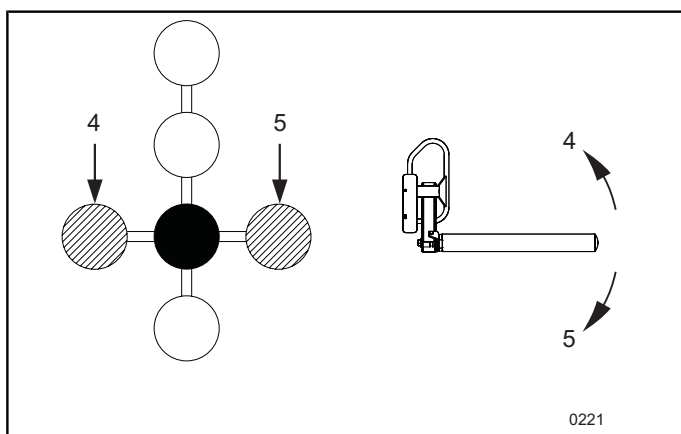
Figur 215 IKKE stå, gå eller arbeid under en oppløftet laster.

53.2.1. Tømme/bryte opp redskap

Høyremontering: Før spaken mot venstre (4) for å bryte opp redskapet.

Før spaken mot høyre (5) for å tømme redskapet.

Merk: Ved venstremontering blir bevegelsene omvendt (gjelder ikke EasyDrive LCS og ElectroDrive LCS som bare finnes som høyremontert).



0221

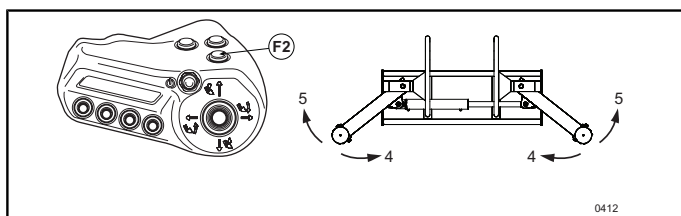
Figur 216 Tømme/bryte opp redskap

53.2.2. Åpne/stenge redskapet – EasyDrive LCS og ElectroDrive LCS

For å åpne og stenge redskapet brukes den tredje hydrauliske funksjonen som styres med strømbryteren F2.

Når spaken føres til høyre (5), åpnes redskapet, og når den føres til venstre (4), stenges redskapet (høyremontering).

Når strømbryteren for den tredje hydraulikkfunksjonen slippes, går spaken umiddelbart tilbake til tømme-/brytefunksjon.



0412

Figur 217 Åpne/stenge redskapet – EasyDrive LCS og ElectroDrive LCS

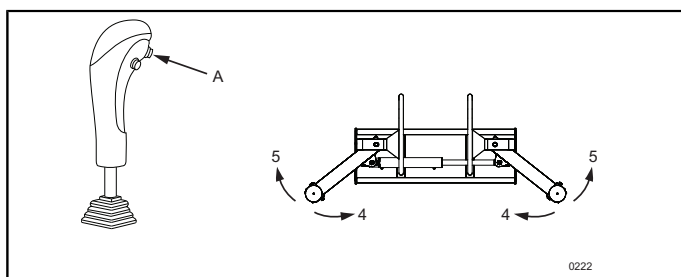
53.2.3. Åpne/stenge redskapet - ErgoDrive LCS/ErgoDrive

For å åpne og stenge redskapet brukes den tredje hydrauliske funksjonen som styres med en strømbryter (A) på joystickens fremside.

Når spaken føres til høyre (5), åpnes redskapet, og når den føres til venstre (4), stenges redskapet (høyremontering).

Ved venstremontering blir bevegelsene omvendt.

Når strømbryteren for den tredje hydraulikkfunksjonen slippes, går spaken umiddelbart tilbake til tømme-/brytefunksjon.

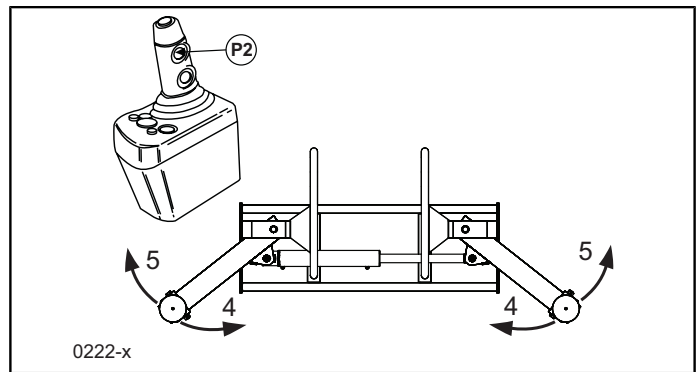


0222

Figur 218 Åpne/stenge redskapet - ErgoDrive LCS/ErgoDrive

53.2.4. Åpne/stenge redskapet – ElectroDrive CDC

For å åpne og stenge redskapet brukes den tredje hydrauliske funksjonen som styres med strømbryteren P2. Når spaken føres til høyre (5), åpnes redskapet, og når den føres til venstre (4), stenges redskapet (høyremontering). Ved venstremontering blir bevegelsene omvendt. Når strømbryteren for den tredje hydraulikkfunksjonen slippes, går spaken umiddelbart tilbake til tømme-/brytefunksjon.



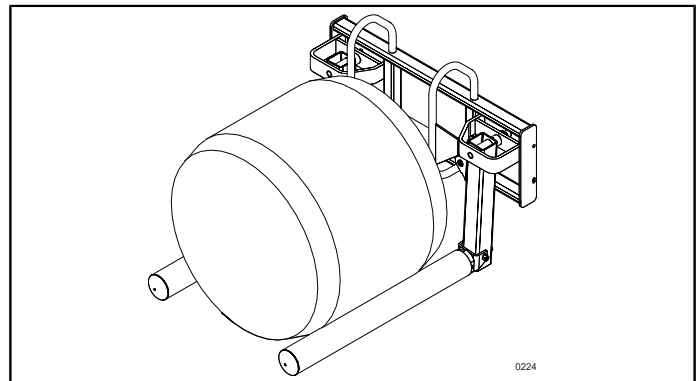
Figur 219 Åpne/stenge redskapet – ElectroDrive CDC

53.2.5. Åpne/stenge redskapet – Slangesett

Slangesett – traktorens joystick, se traktorens instruksjonsbok.

53.2.6. Kjøreinstruksjon

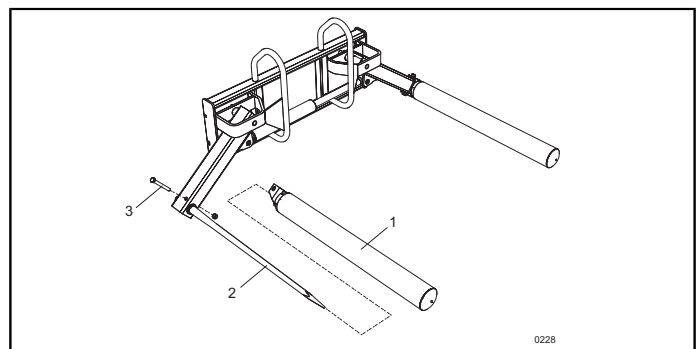
Redskapet er ment for håndtering av rundballer (maks. diameter 172 cm). Rullene reduserer faren for at ev. omslag av plast skades. Sørg for at rullene griper tak i ballene så lavt som mulig (rullene skal her IKKE klemme fast ballen).



Figur 220 Kjøreinstruksjon

53.2.7. Ballspyd

Rullene (1) er lagret på pinnen (2). Ved å fjerne skruen (3) kan rullen fjernes. Redskapet kan da brukes som ballspyd.



Figur 221 Ballspyd

53.2.8. Ved utkobling

Koble fra redskapet med rullene så langt fra hverandre som mulig, men likevel ikke med sylindren i endeposisjonen – det kan oppstå vanskeligheter pga. overtrykk neste gang hurtigkoblinger skal tilkobles.

Se også Til- og frakobling av redskap i lasterens instruksjonsbok.

54. SMØRING OG VEDLIKEHOLD



Advarsel!
Stå aldri mellom traktorens front og lasterens tverrør.



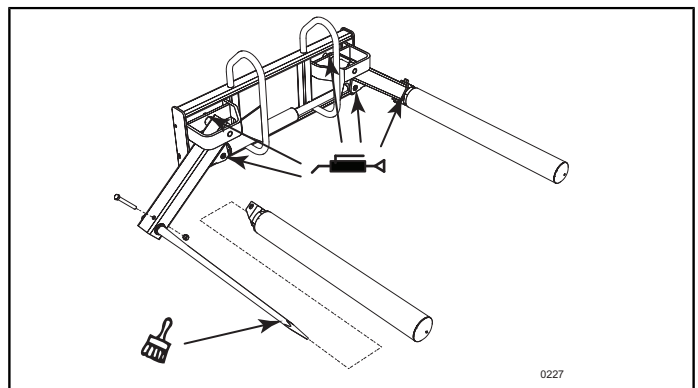
Figur 222 Stå aldri mellom traktorens front og lasterens tverrør.

54.1. Smørepunkter

Smør følgende smørenipler med universalfett hver 10. driftstime.



Advarsel!
Knuse- og klemfare.
Lasteren kan falle ned.
Senk redskapet ned til bakken, og steng redskapet før smøring påbegynnes.



Figur 223 Smørenipler ved hver ledetapp på begge sider av redskapet.

54.2. Oppbevaring

Påfør et tynt lager fett på synlige stempelstenger for å beskytte dem.

54.3. Slinger og sylindere

Les dette før hydraulikksystemet kontrolleres med hensyn til lekkasje:



Advarsel!
Trykksatt olje.

Hydraulikkolje med høyt trykk kan sprøytes inn i kroppen ved lekkasje og forårsake alvorlige skader, blindhet eller dødsfall. Lekkasjen kan være usynlig.

Benytt godkjente vernebriller, og beskytt huden med f.eks. kraftige skinnhansker. Benytt papp eller tre ved søking etter lekkasjer. Hvis det har trengt inn væske i huden, MÅ den fjernes i løpet av et par timer av lege som kan behandle denne typen skader.



Figur 224 Benytt ALDRI fingre eller hender ved lekkasjesøking.

Kontroller slanger og tilkoblinger med jevne mellomrom med hensyn til slitasje og lekkasje. Sørg for at slangene har tilstrekkelig spillerom og ikke gnisser mot andre komponenter. Skift skadede slanger, og trekk til alle tilkoblinger.

Sylindrene er dobbeltvirkende. De må alltid holdes i god stand for optimal funksjon. Lekkasje, indre eller ytre, påvirker ytelsen og kan være farlige.

Dette redskap krever et hydraulikksystem som arbeider med høyt trykk. Bruk bare reservedeler som er godkjent av produsenten.

54.3.1. Kontroll av hydraulikktilkoblinger

Kontroller at alle slanger og adaptere er tiltrukket og at de ikke lekker.

54.3.2. Reparasjon av hydraulikksylindere

Demontering, reparasjon og montering av hydraulikksylindere krever spesialverktøy for å forhindre skader på innvendige komponenter. Vi anbefaler at en sylinder som skal repareres, sendes til en autorisert forhandler.

55. DATA

Sylinder	65/40
Oljetrykk	120 – 200 bar / 12 – 20 Mpa
Ballstørrelse	120 – 172 cm
Maks. last	1000 kg
Maks. avstand mellom ruller	172 cm
Vekt	175 kg

55.1. Anbefalingstabell

Quicke / Trima

Loader	Q3	Q3S	Q3M	Q3L	Q4	Q4S	Q4M	Q4L	Q5	Q5S	Q5M	Q5L
Flexibal	1	1	1	1	1	1	1	1	1	1	1	1

Loader	Q6	Q6S	Q6M	Q6L	Q7	Q7S	Q7M	Q7L	Q8M
Flexibal	1	1	1	1	1	1	1	1	1

Loader	X1	X1S	X2	X2S	X3	X3S	X4	X4S	X5	X5S
Flexibal	2	2	2	1	2	1	2	1	2	1

1

Anbefalt kombinasjon

2

Ikke anbefalt kombinasjon



Forsiktig!

Som operatør av teleskoplaster eller rammestyrte maskiner må du ha god kunnskap om lasten som håndteres/fremføres, slik som vekt og tyngdepunkt. Vær klar over at lastens tyngdepunkt kan forskyve hele tyngdepunktet til basismaskinen og dermed føre til ustabilitet, noe som kan resultere i skader på maskin, operatør og/eller eiendom eller personer i nærheten.

Viktig! Anbefalinger for hjullastere og andre rammestyrte maskiner er basert på basismaskinens tipplast. Vær klar over at rammestyrte maskiner blir ustabile ved uaktsom fremføring, spesielt i svinger. Vær forsiktig!

Viktig! Sett deg godt inn i LAST og BASISMASKIN! Les nøye gjennom brukerhåndboken for basismaskinen, og ta hensyn til begrensningene før fremføring.

56. GARANTIBESTEMMELSER

ÅLÖ AB forplikter seg i en periode på 12 (tolv) måneder fra den dagen lasteren/utstyret blir leverert til kjøperen, å skifte ut eller reparere deler som pga. feil i materialet eller i produksjonen må rettes opp. Forutsetningen er at leverandøren umiddelbart blir varslet om feilen, og at den feilaktige lasteren/delen fritt stilles til leverandørens disposisjon.

For deler som skiftes ut, gjelder garantien bare for den tiden som gjenstår av garantitiden.

Garantien omfatter ikke feil som skyldes ulykker, mangelfullt vedlikehold, endring eller feilaktig montering fra kjøperens side. Ved garantiutskifting av deler som er utsatt for særlig stor slitasje, skal kjøperen betale erstatning for den tiden de er brukt.

Erstatning gjelder ikke personskader, stillstand, etterskader eller andre tap

Test eller feilsøking som utføres etter krav fra kjøperen, utføres uten kostnad for kjøperen dersom det i denne sammenheng konstateres mangler.

I motsatt fall debiteres kjøperen samtlige kostnader.

Tilfeldige reparasjoner eller merkostnader pga. at arbeidet utføres utenfor ordinær arbeidstid erstattes ikke.

EU-DEKLARASJON OM OVERENSSTEMMELSE

(Direktiv 2006/42/EF, Vedlegg 2A)

ÅLÖ AB

Brännland 300

SE-901 37 Umeå, Sverige

Tel. +46 (0)90 17 05 00

Forsikrer herved at:

Redskapsmodeller som beskrives i denne boken, se forsiden, f.o.m produksjonsmåned november 2015.

A. er produsert i overensstemmelse med RÅDSDIREKTIV:

– av 17. mai 2006 angående innbyrdes tilnærming av medlemsstatenes lover angående maskiner, 2006/42/EG, med spesiell henvisning til direktivets Vedlegg 1 om vesentlige helse- og sikkerhetskrav i forbindelse med konstruksjon og produksjon av maskiner.

B. er produsert i overensstemmelse med følgende harmoniserte standarder:

EN ISO 12100:2010, EN ISO 4413:2010, EN 12525:2000+A2 2010.

RISE SMP Svensk Maskinprovning AB, Box 7035, SE-75007 Uppsala, Sverige, har gjennomført frivillig typegodkjenning for Alo AB. Sertifikatet har tall: SEC/09/2051 – hydraulisk redskap.

Ansvarlig person for sammenfatning av teknisk dokumentasjon hos ÅLÖ AB er Anders Lundgren, produktutviklingsdirektør.



Umeå 2022-09-01

Niklas Åström

VD

UK DECLARATION OF CONFORMITY **UK
CA**

(Gjelder for markedet i Storbritannia)

Address: Manufacturer

ÅLÖ AB

Brännland 300

SE-901 37 Umeå, Sweden

Tel. +46 (0)90 17 05 00

Address: Authorized representative

Alo UK Ltd

Unit 1 Ryelands Business Centre,

Ryelands Lane,

Elmley Lovett,

Droitwich,

Worcestershire

WR9 0PT, UK

Hereby certifies that:

Attachment models described in this document, see front page, from and including manufacturing month November 2015.

- A. manufactured in conformity with the provisions in the Supply of Machinery (Safety) Regulations 2008,
- B. manufactured according to the following designated standards: BS EN ISO 12100:2010, BS EN ISO 4413:2010, BS EN 12525:2000+A2:2010.

RISE SMP Svensk Maskinprovning AB, Box 7035, SE-75007 Uppsala, Sweden, has carried out voluntary type examination for ÅLÖ AB. The certificate has number: SEC/09/2051 – hydraulic implements.

The person authorized to compile technical documentation at ÅLÖ AB is Anders Lundgren, Executive Vice President R&D.



Umeå 2022-09-01

Niklas Åström

President and Chief Executive Officer (CEO)

58. VEILIGHEIDSVOORSCHRIFTEN

58.1. Algemene informatie

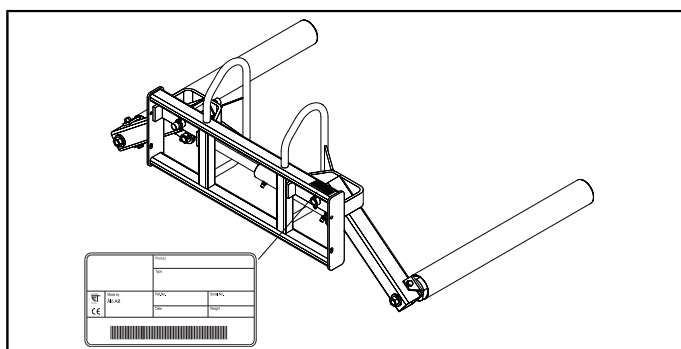
De veiligheid van de bestuurder is van het grootste belang bij de constructie van een nieuw werktuig. Constructeurs bouwen zo veel mogelijk veiligheidsfuncties in. Ieder jaar gebeuren er echter nog steeds ongevallen die hadden kunnen worden vermeden met een dosis gezond verstand en een meer voorzichtige bediening van het werktuig.

Vermijd persoonlijk letsel. Lees onderstaande voorschriften betreffende de persoonlijke veiligheid en zie erop toe dat de personen die met of voor u werken ze ook daadwerkelijk volgen.

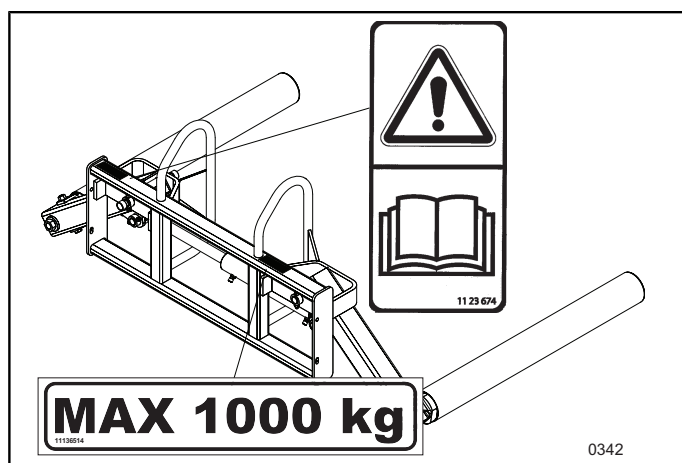
58.1.1. Waarschuingsstickers

Op verschillende plekken op het werktuig zijn waarschuingsstickers aangebracht. Kijk waar de stickers zitten en zorg dat u deze begrijpt voordat u de voorlader en het werktuig in gebruik neemt.

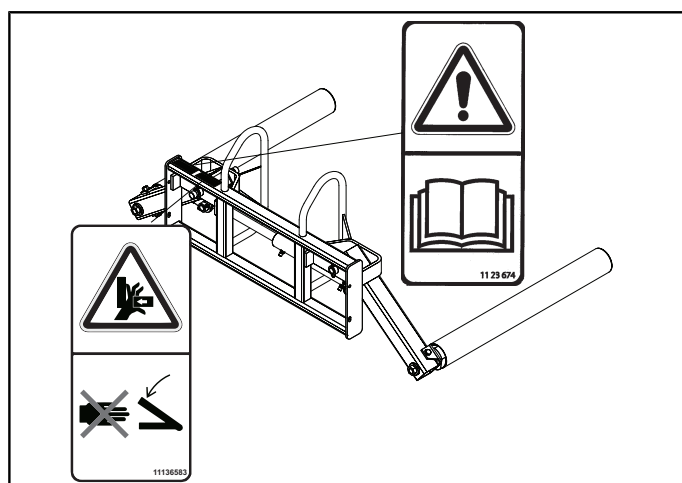
- Bedek of verwijder de waarschuingsstickers niet. Indien een waarschuingssticker ontbreekt of onleesbaar is, dient deze te worden vervangen. Er zijn nieuwe waarschuingsstickers verkrijgbaar bij uw dealer.



Afbeelding 228 Plaatsing van machineplaatje.



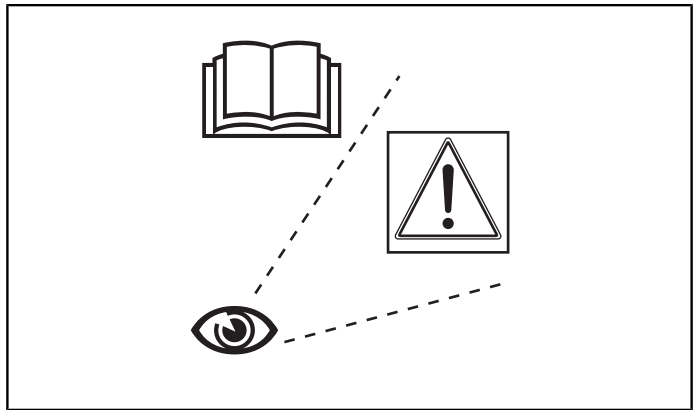
Afbeelding 229 Positie van waarschuingsstickers



Afbeelding 230 Positie van waarschuingsstickers (Noord-Amerika).

58.2. Verklaring van waarschuwniveaus

Wanneer u onderstaande veiligheidssymbolen en waarschuwingen ziet, hetzij op stickers hetzij in het instructieboek, MOETEN deze instructies worden gevolgd, aangezien ze betrekking hebben op uw persoonlijke veiligheid.



Afbeelding 231 Controleer waar de stickers zitten en waar ze betrekking op hebben, voordat u het werktuig in gebruik neemt.

58.2.1. Uitleg van symbolen

Veiligheidssymbool. Informatie bij dit symbool heeft betrekking op uw persoonlijke veiligheid en moet worden opgevolgd.



Gevaarlijk!

: Een onmiddellijk gevaarlijke situatie die, indien niet vermeden, zal leiden tot de dood of ernstig lichamelijk letsel. (Noord-Amerika)



Waarschuwing!

Geeft aan dat er een ongeval kan gebeuren indien dit voorschrift niet wordt gevolgd. Een dergelijk ongeval kan tot ernstig persoonlijk letsel leiden, of zelfs tot ongevallen met dodelijk gevolg.



Voorzichtig!

Geeft aan dat er een ongeval kan gebeuren indien dit voorschrift niet wordt gevolgd. Een dergelijk ongeval kan tot persoonlijk letsel leiden.



Afbeelding 232 Veiligheidssymbool.

De volgende teksten en instructies zijn niet van toepassing op de persoonlijke veiligheid, maar bevatten aanvullende tips over de bediening en/of het onderhoud aan het werktuig.

Belangrijk! Geeft aan dat er een ongeval kan gebeuren indien dit voorschrift niet wordt gevolgd. Het ongeval kan leiden tot schade aan eigendommen, processen of de omgeving.

Opmerking! Geeft extra informatie aan die het begrijpen of uitvoeren van een taak eenvoudiger maakt.

58.3. Werkleiding en gebruikers

58.3.1. Aansprakelijkheid



Voorzichtig!

Bewaar dit instructieboek en het eigen instructieboek van de tractor altijd in de tractor.

- Als er geen instructieboek bij de tractor aanwezig is, dient u deze aan te schaffen bij de dealer voordat u de voorlader en het werktuig monteert en gebruikt.

- Lees al het materiaal zorgvuldig door en leer hoe u de uitrusting op veilige en correcte wijze moet gebruiken.

! **Waarschuwing!**
Gebruik de voorlader of het werktuig NIET als werkplatform.

! **Waarschuwing!**
Gebruik het werktuig uitsluitend voor het beoogde toepassingsgebied.

! **Waarschuwing!**
Grijp geen voorwerpen die het zwaartepunt aanzienlijk naar buiten verschuiven. Kan instabiliteit veroorzaken.

! **Waarschuwing!**
Gebruik de voorlader NIET om personen op te tillen of te vervoeren.

- Deze machine mag alleen door daartoe bevoegde personen worden gebruikt.

! **Waarschuwing!**
Controleer altijd de omgeving rond de machine en let erop dat er geen mensen (vooral kinderen) en dieren aanwezig zijn voordat de machine wordt gestart of weggereden.

U kunt mensen die buiten staan niet horen roepen als u in de cabine zit en de deur gesloten is.

! **Gevaarlijk!**
Om ernstig letsel door beknelling en verbrijzeling met mogelijk de dood tot gevolg te voorkomen: houd tijdens het gebruik van het gereedschap mensen en voorwerpen op gepaste afstand.



Afbeelding 233 Gebruik de voorlader of het werktuig NIET als werkplatform.

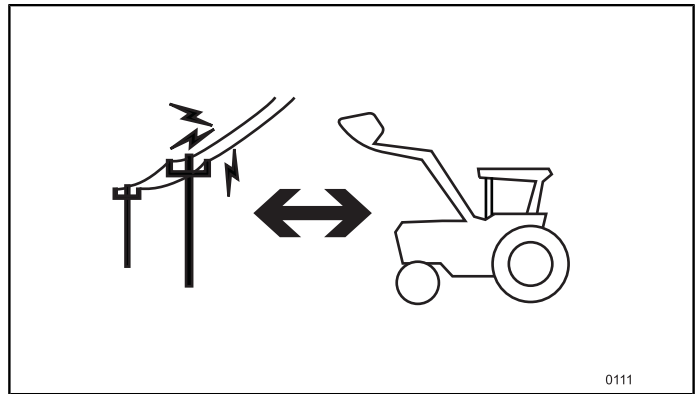


Afbeelding 234 Gebruik de voorlader of het werktuig NIET om personen op te tillen of te vervoeren.



Afbeelding 235 Voor het starten moet u controleren of zich soms personen in de buurt van de machine bevinden.

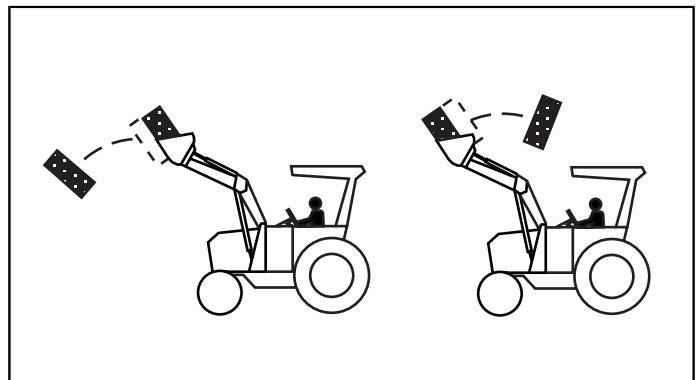
Leer het werkgebied en het terrein kennen. Let op de vrije hoogte en beperkingen die door de toegenomen reikwijdte ontstaan.



Afbeelding 236 Bestudeer het werkgebied voordat u begint. Houd afstand tot stroomkabels en andere obstakels.

! **Waarschuwing!**
Kijk altijd naar het werktuig. Voorwerpen kunnen op de bestuurder vallen of achterover kantelen wanneer de voorlader omhoog wordt gebracht. Hef alleen voorwerpen waarvoor het werktuig bedoeld is.

! **Waarschuwing!**
Kijk altijd naar het werktuig. Tijdens transport kunnen er voorwerpen uitvallen. Transporteer alleen voorwerpen waarvoor het werktuig bedoeld is.



Afbeelding 237 Kijk altijd naar het werktuig. Voorwerpen kunnen op de bestuurder vallen of achterover kantelen wanneer de voorlader omhoog wordt gebracht.

! **Waarschuwing!**
Ga nooit tussen de voorkant van de tractor en de dwarsbuizen van de voorlader staan.

! **Waarschuwing!**
Beknellings- en verbrijzelingsgevaar.
De voorlader kan omlaag vallen.
Laat de lader / implementeren op de grond voorafgaande aan smering.

! **Waarschuwing!**
Controleer tijdens de montage van de slangen of ze lang genoeg zijn en zie erop toe dat ze niet klem kunnen raken tussen de bevestiging van het werktuig, de voorladerarm of verbindingsarmen - indien nodig de aansluitingen aanpassen.



Afbeelding 238 Ga nooit tussen de voorkant van de tractor en de dwarsbuizen van de voorlader staan.



Waarschuwing!
Onder druk gezette olie.

In geval van lekkage kan een straal hydrauliekolie onder hoge druk in het lichaam worden gespoten. Een ongeval met ernstig letsel of blindheid tot gevolg, of eventueel met dodelijk gevolg. De lekkage kan soms niet zichtbaar zijn.

Draag een goedgekeurde veiligheidsbril en bescherm de huid met bijvoorbeeld sterke leren handschoenen. Gebruik karton of hout voor het opsporen van een eventuele lekkage. Als de vloeistof in de huid is gedrongen, MOET deze binnen een paar uur worden verwijderd door een arts die weet hoe dit type verwondingen moet worden behandeld.



Afbeelding 239 Tijdens het opsporen van lekkage NOOIT uw vingers of handen gebruiken.

59. BESCHRIJVING

59.1. Definities

59.1.1. Derde functie

Extra hydraulische functie om het hydraulische systeem van het werktuig en de werktuigvergrendeling te bedienen.

59.1.2. ErgoDrive / ErgoDrive LCS

Deze montageset bevat een mechanische bediening met een mechanische hendel, en een hydraulische aansluiting voor het aangegeven tractormodel.

59.1.3. ElectroDrive CDC / ElectroDrive LCS / EasyDrive LCS

Montageset zoals hierboven beschreven, maar met een elektrisch werkende bediening en een elektrische bedieningshendel.

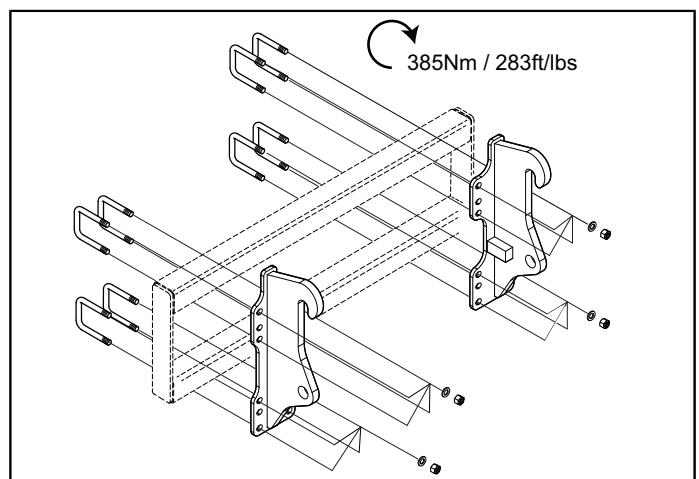
59.1.4. Slangenset

Slangen en hydraulische componenten voor aansluiting van de lader op de klep van de tractor.

59.2. Werktuigbevestigingen

Het werktuig kan worden uitgerust met diverse soorten werktuighaken, afhankelijk van de bevestiging van de voorlader/basismachine. Er bestaan verschillende bevestigingssystemen voor de haken; gelast of een aantal alternatieve boutsystemen. Neem voor informatie over de beschikbare werktuighaken contact op met Ålö AB. Let goed op dat de gereedschapshaak compatibel is met het bevestigingssysteem van de voorlader/basismachine. **Nooit improviseren of aanpassen!**

Zorg ervoor dat werktuigen vóór gebruik op de juiste wijze worden vergrendeld op basis van de geldende voorschriften van de voorlader/basismachine en gereedschapsbevestiging.



Afbeelding 240 Het werktuig kan worden uitgerust met verschillende types werktuighaken.

60. BEDIENINGSVOORSCHRIFTEN

60.1. Toepassingsgebieden

60.1.1. Beoogd gebruik

Het werktuig is voorzien van twee rollen die worden gebruikt om het materiaal te dragen. Transporteer het materiaal zo laag mogelijk. Het belangrijkste toepassingsgebied is het hanteren van:

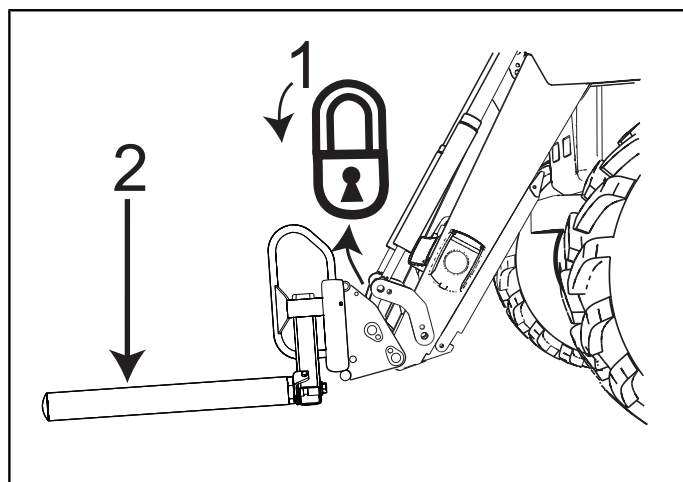
- vierkante balen
- ronde balen

Houd de voorlader tijdens het rijden zo laag mogelijk. Vergeet niet dat, naarmate de voorlader verder omhoog wordt gebracht, ook het zwaartepunt hoger komt te liggen. Daardoor wordt het risico dat de tractor kantelt ook groter.

60.2. Voordat u het werktuig

Controleer onderstaande punten en neem daarbij de nodige voorzichtigheid in acht:

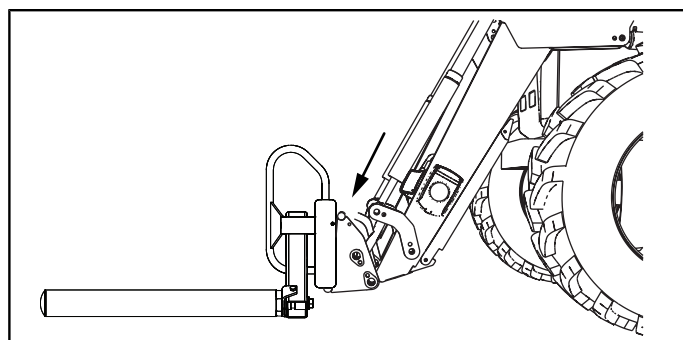
1. Heeft de slang die is aangesloten op de (+)-kant van de cilinder een rode markering en beweegt het bovenstuk van het gereedschap zich zoals beschreven bij openen/sluiten?
2. Lekt er hydraulische olie?
3. Controleer of het werktuig correct is gemonteerd en of de pennen zijn vergrendeld. Duw het uiteinde van het werktuig tegen de grond (1) om te controleren of het werktuig goed vastzit (2).



Afbeelding 241 Controleer of het werktuig vastzit door de punt ervan tegen de grond te duwen.

4. Bestaat er kans op een botsing tussen de voorlader en het gereedschap (zie afbeelding)?
5. Voldoende Smeer het werktuig 61. Smeren en onderhoud.

Zie ook onder Aan- en loskoppelen in het instructieboek van de voorlader.



Afbeelding 242 Controleer voorzichtig en zie erop toe dat er geen botsing tussen voorlader en werktuig kan plaatsvinden.



Waarschuwing!

Sta, loop of werk **NIET** onder een opgeheven voorlader. Houd iedereen, vooral kinderen, en dieren uit de buurt van de werkomgeving.



0106

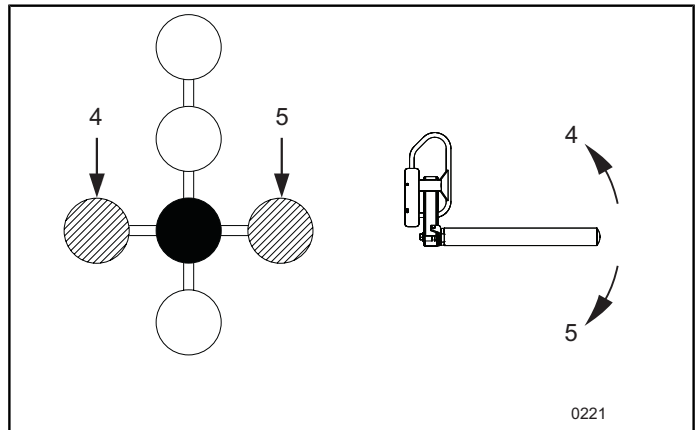
Afbeelding 243 Sta, loop of werk **NIET** onder een omhooggebrachte voorlader.

60.2.1. Gereedschap legen/openbreken

Rechtse montage: Beweeg de hendel naar links (4) om het werktuig omhoog te kantelen.

Breng de hendel naar rechts (5) om het werktuig te legen.

Opmerking! Bij linkse montage worden de bewegingen omgekeerd (geldt niet voor EasyDrive LCS en ElectroDrive LCS die alleen voor rechtse montage verkrijgbaar zijn).



0221

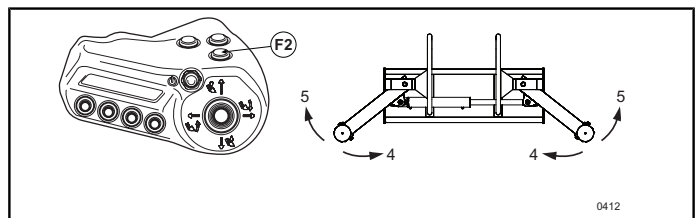
Afbeelding 244 Gereedschap legen/openbreken

60.2.2. Werktuig openen/sluiten - EasyDrive LCS en ElectroDrive LCS

Voor het openen en sluiten van het werktuig wordt de derde hydraulische functie gebruikt. Deze functie wordt geregeld met behulp van schakelaar F2.

Wanneer de hendel naar rechts wordt bewogen, wordt het werktuig geopend. Wanneer deze naar links wordt bewogen, zal het werktuig sluiten (rechtse montage).

Wanneer de schakelaar voor de derde hydraulische functie wordt losgelaten, gaat de regelaar direct terug naar de functie legen/omhoog kantelen.



0412

Afbeelding 245 Werktuig openen/sluiten - EasyDrive LCS en ElectroDrive LCS

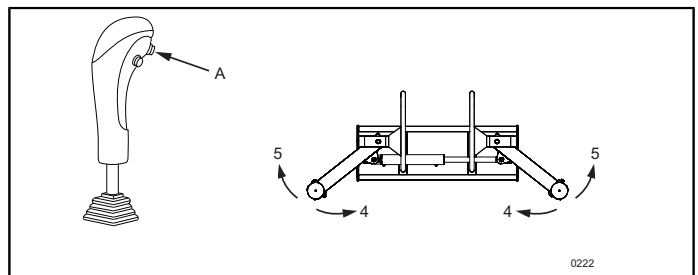
60.2.3. Openen / sluiten hulpmiddel - ErgoDrive LCS/ErgoDrive

Om het werktuig te openen en te sluiten moet de derde hydraulische functie worden gebruikt. Deze functie wordt geregeld met de schakelaar (A) aan de voorkant van de joystick-bediening.

Wanneer de hendel naar rechts wordt bewogen, wordt het werktuig geopend. Wanneer deze naar links wordt bewogen, zal het werktuig sluiten (rechtse montage).

Bij linkse montage zijn de bewegingen omgekeerd.

Wanneer de schakelaar voor de derde hydraulische functie wordt losgelaten, gaat de regelaar direct terug naar de functie legen/omhoog kantelen.



0222

Afbeelding 246 Openen / sluiten hulpmiddel - ErgoDrive LCS/ErgoDrive

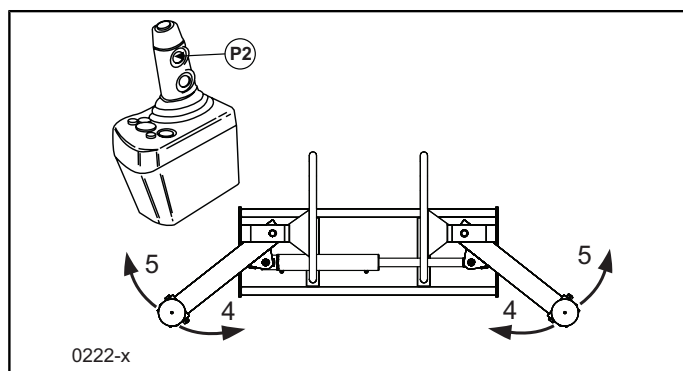
60.2.4. Werktuig openen/sluiten - ElectroDrive CDC

Voor het openen en sluiten van het werktuig wordt de derde hydraulische functie gebruikt. Deze functie wordt geregeld met behulp van schakelaar P2.

Wanneer de hendel naar rechts wordt bewogen, wordt het werktuig geopend. Wanneer deze naar links wordt bewogen, zal het werktuig sluiten (rechtse montage).

Bij linkse montage zijn de bewegingen omgekeerd.

Wanneer de schakelaar voor de derde hydraulische functie wordt losgelaten, gaat de regelaar direct terug naar de functie legen/omhoog kantelen.



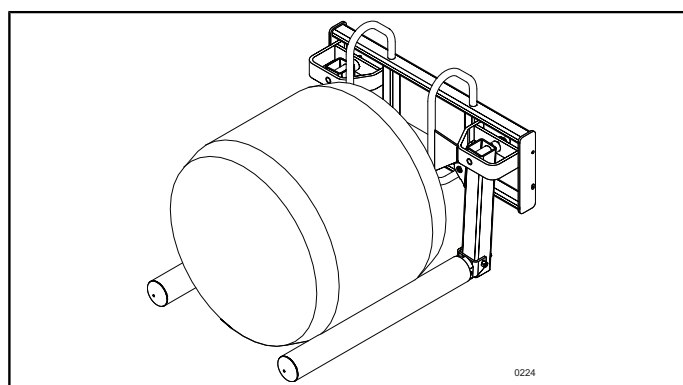
Afbeelding 247 Werktuig openen/sluiten - ElectroDrive CDC

60.2.5. Werktuig openen/sluiten - Slangenset

Slangenset - joystick van de tractor, zie het instructieboek van de tractor.

60.2.6. Bedieningsvoorschrift

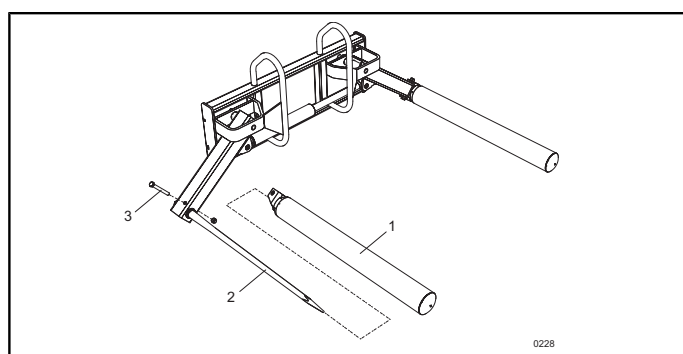
Het werktuig is bedoeld voor het hanteren van ronde balen (max. diameter 172 cm). De rollen verminderen de kans dat een eventuele plastic omslag stuk gaat. Zorg ervoor dat de rollen de baal zo laag mogelijk vastpakken (de rollen mogen de baal dus NIET vastklemmen).



Afbeelding 248 Bedieningsvoorschrift

60.2.7. Balenspits

De rollen (1) zijn gelagerd op de pen (2). Door de bout (3) te demonteren kunnen de rollen worden verwijderd. Het werktuig kan dan als balenspits worden gebruikt.



Afbeelding 249 Balenspits

60.2.8. Bij het buiten gebruik stellen

Koppel het werktuig los met de rollen zo ver mogelijk van elkaar af, maar niet met de cilinder in de eindpositie. Vanwege overdruk kunnen er moeilijkheden ontstaan als de snelkoppelingen de volgende keer moeten worden aangesloten.

Zie ook onder Aan- en loskoppelen in het instructieboek van de voorlader.

61. SMEREN EN ONDERHOUD



Waarschuwing!

Ga nooit tussen de voorkant van de tractor en de dwarsbuizen van de voorlader staan.



Afbeelding 250 Ga nooit tussen de voorkant van de tractor en de dwarsbuizen van de voorlader staan.

61.1. Smeerpunten

Smeer de volgende smeernippels elke 10 bedrijfsuren met universeel vet.

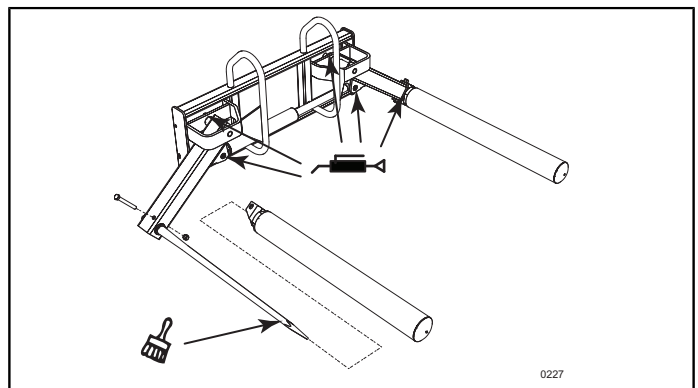


Waarschuwing!

Beknellings- en verbrijzelingsgevaar.

De voorlader kan omlaag vallen.

Laat het werktuig tot de grond zakken en sluit het werktuig voordat u met smeren begint.



Afbeelding 251 De smeernippels zitten bij elke draaipen aan beide kanten van het werktuig.

61.2. Opslag

Breng ter bescherming een dunne laag vet op zichtbare zuigerstangen aan.

61.3. Slangen en cilinders

Lees eerst het volgende voordat het hydraulische systeem op lekkage wordt gecontroleerd:



Waarschuwing!

Onder druk gezette olie.

In geval van lekkage kan een straal hydrauliekolie onder hoge druk in het lichaam worden gespoten. Een ongeval met ernstig letsel of blindheid tot gevolg, of eventueel met dodelijk gevolg. De lekkage kan soms niet zichtbaar zijn.

Draag een goedgekeurde veiligheidsbril en bescherm de huid met bijvoorbeeld sterke leren handschoenen. Gebruik karton of hout voor het opsporen van een eventuele lekkage. Als de vloeistof in de huid is gedrongen, MOET deze binnen een paar uur worden verwijderd door een arts die weet hoe dit type verwondingen moet worden behandeld.



Afbeelding 252 Tijdens het opsporen van lekkage NOOIT uw vingers of handen gebruiken.

Controleer slangen en aansluitingen regelmatig op slijtage en lekkage. Zorg dat de slangen voldoende speling hebben en niet tegen andere componenten komen. Vervang beschadigde slangen en haal alle aansluitingen aan.

De cilinders zijn dubbelwerkend. Voor een optimale werking moeten ze altijd in goede conditie worden gehouden. Lekkages, zowel in- als uitwendig, zijn van invloed op de prestatie en kunnen gevaarlijk zijn.

Om de inrichting optimaal functioneren als er een hydraulisch systeem werkt onder hoge druk, gebruik alleen onderdelen zijn goedgekeurd door de fabrikant.

61.3.1. Hydraulische aansluitingen controleren

Controleer of alle slangen en adapters zijn aangehaald en niet lekken.

61.3.2. Hydraulische cilinders repareren

Om schade aan de interne componenten te voorkomen, is er voor het demonteren, repareren en monteren van hydraulische cilinders speciaal werktuig vereist. Wij raden aan dat u cilinders die moeten worden gerepareerd, voor reparatie naar een erkende dealer stuurt.

62. GEGEVENS

Cilinder	65/40
Oliedruk	120 - 200 bar / 12 - 20 Mpa
Baalafmetingen	120 - 172 cm
Max. lading	1000 kg
Max. afstand tussen rollen	172 cm
Gewicht	175 kg

62.1. Tabel met aanbevelingen

Quicke / Trima

Loader	Q3	Q3S	Q3M	Q3L	Q4	Q4S	Q4M	Q4L	Q5	Q5S	Q5M	Q5L
Flexibal	1	1	1	1	1	1	1	1	1	1	1	1

Loader	Q6	Q6S	Q6M	Q6L	Q7	Q7S	Q7M	Q7L	Q8M
Flexibal	1	1	1	1	1	1	1	1	1

Loader	X1	X1S	X2	X2S	X3	X3S	X4	X4S	X5	X5S
Flexibal	2	2	2	1	2	1	2	1	2	1

1

Aanbevolen combinatie

2

Niet aanbevolen combinatie



Voorzichtig!

Als operator van een telescooplader of een machine met knikbesturing dient u op de hoogte zijn van wat de gehanteerde/verplaatste lading bevat, alsook van het gewicht en zwaartepunt. Denk eraan dat het zwaartepunt van de lading het totale zwaartepunt van de basismachine kan verplaatsen, wat tot instabiliteit kan leiden. Dat kan schade aan machine, operator en/of eigendommen en letsel bij personen in de omgeving leiden.

Belangrijk! Aanbevelingen voor wielladers en andere machines met knikbesturing gaan uit van de kantellading van de basismachine. Denk eraan dat machines met knikbesturing bij onvoorzichtig rijden instabiel worden, vooral bij bochten. Wees voorzichtig!

Belangrijk! Zorg dat u LADING en BASISMACHINE goed kent! Lees de handleiding van de basismachine goed door en houd rekening met de beperkingen daarvan voordat u deze gaat verrijden.

63. GARANTIEBEPALINGEN

ÅLÖ AB verplicht zich om gedurende een periode van 12 (twaalf) maanden vanaf de dag waarop de voorlader/apparatuur aan de koper is geleverd, onderdelen te vervangen of te repareren wanneer dit vanwege materiaal- of productiefouten nodig is. Hiervoor geldt de voorwaarde dat de fout onmiddellijk aan de leverancier wordt gemeld en dat de/het defecte voorlader/onderdeel zonder beperkingen aan de leverancier ter beschikking wordt gesteld.

Voor vervangen onderdelen geldt de garantie uitsluitend voor de resterende garantietermijn.

De garantie geldt niet voor fouten die zijn veroorzaakt door ongelukken, gebrekkig onderhoud, aanpassingen of foutieve montage door de koper. Bij het krachtens de garantie vervangen van onderdelen die aan bijzonder grote slijtage onderhevig zijn, dient de koper een vergoeding te betalen voor de tijd dat deze zijn gebruikt.

Er wordt geen vergoeding verleend voor persoonlijk letsel, stilstand, gevolgschade of andere verliezen.

Voor testen of storingzoeken dat op verzoek van koper plaatsvindt, worden koper geen kosten in rekening gebracht indien daarbij gebreken worden geconstateerd.

Als dat niet het geval is, worden alle kosten aan koper in rekening gebracht.

Tijdelijke reparaties of bijkomende kosten vanwege werkzaamheden op ongebruikelijke werktijden worden niet vergoed.

EG-VERKLARING VAN OVEREENSTEMMING

(Richtlijn 2006/42/EG, Bijlage 2A)

ÅLÖ AB

Brännland 300

SE-901 37 Umeå, Zweden

Tel. +46 (0)90 17 05 00

Verklaart hierbij dat:

De in dit boek beschreven werktuigmodellen, zie voorpagina, vanaf productiemaand november 2015.

A. zijn vervaardigd in overeenstemming met de RICHTLIJNEN VAN DE RAAD:

- gedateerd 17 mei 2006 inzake onderlinge aanpassing van de wetgevingen der lidstaten betreffende machines, 2006/42/EG, met aparte verwijzing naar Annex 1 van de richtlijn aangaande belangrijke gezondheids- en veiligheidseisen tijdens constructie en vervaardiging van machines.

B. zijn vervaardigd in overeenstemming met onderstaande geharmoniseerde normen:

EN ISO 12100:2010, EN ISO 4413:2010, EN 12525:2000+A2 2010.

RISE SMP Svensk Maskinprovning AB, Box 7035, SE-75007 Uppsala, Sverige, heeft uitgevoerd vrijwillige typegoedkeuring voor ÅLÖ AB. Het certificaat heeft nummers: SEC/09/2051 – hydraulische gereedschappen.

De persoon die binnen ÅLÖ AB bevoegd is voor de samenstelling van de technische documentatie is Anders Lundgren, directeur productontwikkeling.



Umeå 2022-09-01

Niklas Åström

directeur

UK DECLARATION OF CONFORMITY

(Geldig voor de Britse markt)

Address: Manufacturer

ÅLÖ AB

Brännland 300

SE-901 37 Umeå, Sweden

Tel. +46 (0)90 17 05 00

Address: Authorized representative

Alo UK Ltd

Unit 1 Ryelands Business Centre,

Ryelands Lane,

Elmley Lovett,

Droitwich,

Worcestershire

WR9 0PT, UK

Hereby certifies that:

Attachment models described in this document, see front page, from and including manufacturing month November 2015.

- A. manufactured in conformity with the provisions in the Supply of Machinery (Safety) Regulations 2008,
- B. manufactured according to the following designated standards: BS EN ISO 12100:2010, BS EN ISO 4413:2010, BS EN 12525:2000+A2:2010.

RISE SMP Svensk Maskinprovning AB, Box 7035, SE-75007 Uppsala, Sweden, has carried out voluntary type examination for ÅLÖ AB. The certificate has number: SEC/09/2051 – hydraulic implements.

The person authorized to compile technical documentation at ÅLÖ AB is Anders Lundgren, Executive Vice President R&D.



Umeå 2022-09-01

Niklas Åström

President and Chief Executive Officer (CEO)

64. INTRODUZIONE

64.1. Informazioni di carattere generale

Attenzione!
 Un uso negligente o errato può provocare lesioni gravi o mortali per l'operatore o per altri. Osservare le norme di sicurezza.

Il presente manuale istruzioni descrive l'utilizzo e la manutenzione dell'attrezzo. Le informazioni del manuale istruzioni sono aggiornate alla data di stampa. Per qualsiasi dubbio, rivolgersi al rivenditore locale.

Ogni attrezzo viene fornito con un manuale istruzioni che illustra all'operatore l'utilizzo e la manutenzione dell'attrezzo. Leggere e utilizzare le informazioni per utilizzare l'attrezzo in modo sicuro riducendo al minimo i fermi macchina. L'attrezzo è progettato per la massima facilità di assistenza e gli interventi di manutenzione non richiedono attrezzi speciali.

Leggere attentamente e comprendere il manuale istruzioni prima di utilizzare l'attrezzo. Gli operatori poco esperti devono leggere attentamente il manuale istruzioni e chiedere consigli agli operatori esperti. Il rivenditore locale è a disposizione per fornire consigli sull'utilizzo e sui metodi di lavoro appropriati. Conservare sempre il presente manuale istruzioni a portata di mano, preferibilmente a bordo. Qualora un manuale istruzioni si danneggi o vada smarrito, ordinarne uno nuovo.

Leggere anche il manuale istruzioni del caricatore, contiene informazioni importanti per la sicurezza.

Cautela!
 Leggere l'intero manuale istruzioni, prima di iniziare a utilizzare il prodotto.

Ci riserviamo il diritto di apportare modifiche a design e specifiche, nonché effettuare migliorie, senza preavviso.

Inserire le informazioni riportate sulla targhetta macchina dell'attrezzo e indicarle sempre in caso di contatti con il rivenditore locale.

Sulla targhetta sono riportati:

Prodotto, tipo, numero di riferimento e numero di serie, peso.

Specificare sempre: Prodotto (A), tipo (B) e numero di serie (C) nella corrispondenza di servizio o nell'acquisto dei ricambi.

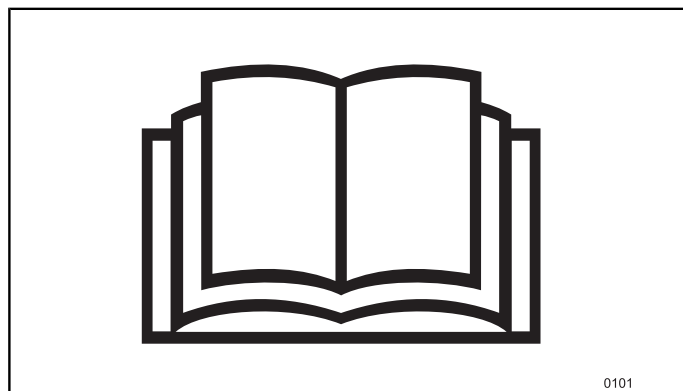


Figura 253 Leggere l'intero manuale istruzioni, prima di iniziare a utilizzare il prodotto.

Informazioni sul prodotto



Product	
Type	
Ref. No.	
Serial No.	
Date	
Weight	
Manufacturer	
Reseller information	

Figura 254 Informazioni sul prodotto


 Made by ATo AB Umeå Sweden Made in xxxxxxxx	Product XXXXXXXXXXXXXXXXXXXXXXXXXXXX	A B C
	Type XXXXXXXXXXXXXXXXXXXXXXXXXXXX	
	Ref. No. XXXXXXXXXX	Serial No. / Year XXXXXXXXXX XXXX
	Kit No. XXXXXXXXXX	Weight XXXXXXX kg

Figura 255 Targhetta macchina.

65. NORME DI SICUREZZA

65.1. Informazioni di carattere generale

La sicurezza dell'operatore riveste la massima importanza in sede di progettazione di un nuovo attrezzo. I progettisti approfondono ogni sforzo per integrare più funzioni di sicurezza possibili. Tuttavia, ogni anno si verificano diversi incidenti che potrebbero essere evitati valutando la situazione per qualche secondo e utilizzando l'attrezzo con più attenzione.

Per evitare infortuni, leggere sempre le seguenti norme di sicurezza e accertarsi che il personale le rispetti.

65.1.1. Decalcomanie di avvertenza

Decalcomanie di avvertenza applicate in vari punti dell'attrezzo. Localizzare, leggere e comprendere il significato delle decalcomanie prima di utilizzare il caricatore e l'attrezzo.

- Non coprire o rimuovere nessuna decalcomania di avvertenza. Se una decalcomania di avvertenza manca o è illeggibile, deve essere sostituita. Le nuove decalcomanie di avvertenza sono disponibili presso il rivenditore locale.

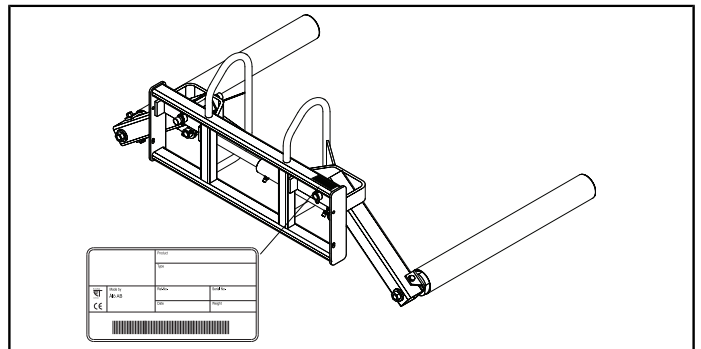


Figura 256 Ubicazione della targhetta macchina.

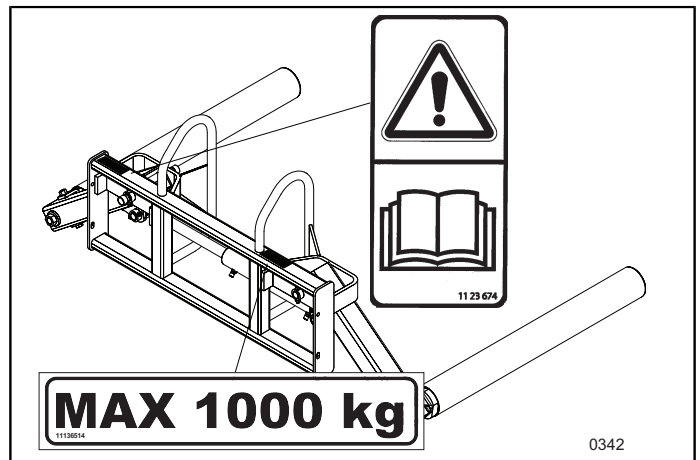


Figura 257 Ubicazione delle decalcomanie di avvertenza

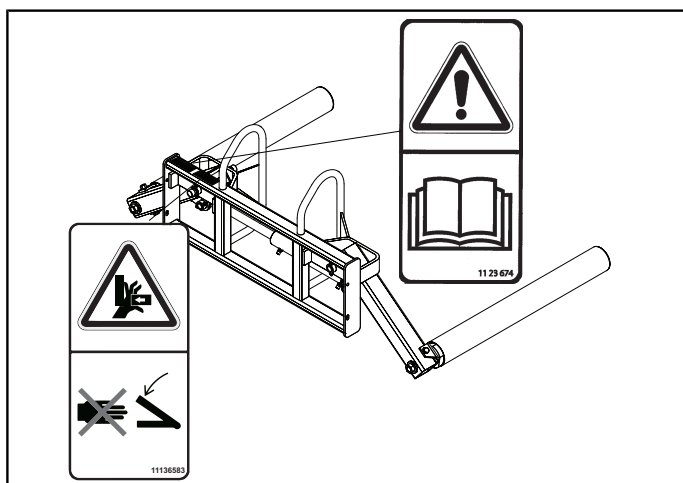


Figura 258 Ubicazione delle decalcomanie di avvertenza (Nord America).

65.2. Spiegazione dei livelli di pericolo

Quando sulle decalcomanie o sul manuale istruzioni compare il simbolo di sicurezza con una parola di avvertenza, è **OBBLIGATORIO** seguire le istruzioni per garantire la sicurezza personale.

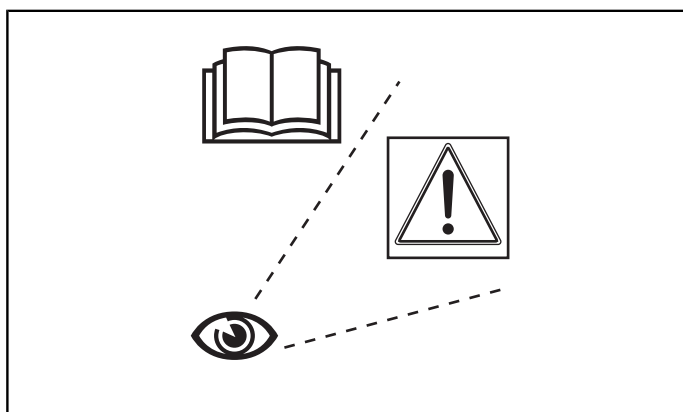


Figura 259 Localizzare, leggere e comprendere il significato delle decalcomanie prima di utilizzare il caricatore e l'attrezzo.

65.2.1. Spiegazione dei simboli

Simbolo di sicurezza. Le informazioni correlate a questo simbolo riguardano la sicurezza personale e vanno rispettate.



Pericolo!

Indica una situazione d'immediato pericolo che, se non evitata, può causare la morte o gravi lesioni personali. (Solo Nord America)



Attenzione!

Indica che il mancato rispetto della norma di sicurezza può provocare un incidente. L'incidente può causare lesioni personali gravi o mortali.



Cautela!

Indica che il mancato rispetto della norma di sicurezza può provocare un incidente. L'incidente può causare lesioni personali.



Figura 260 Simbolo di sicurezza.

Le spiegazioni e le istruzioni riportate di seguito non riguardano la sicurezza personale ma sono utilizzate nel manuale istruzioni per fornire consigli sull'utilizzo dell'attrezzo e sugli interventi di assistenza.

Importante! Indica che il mancato rispetto della norma di sicurezza può provocare un incidente. L'incidente può causare danni materiali, fermi macchina o inquinamento ambientale.

Nota - Indica un'informazione ausiliaria che può facilitare la comprensione o l'esecuzione di una determinata operazione.

65.3. Direzione lavori e operatore

65.3.1. Responsabilità



Cautela!

Conservare sempre a bordo del trattore questo manuale istruzioni e il manuale del trattore stesso.

- Se a bordo del trattore non è presente un manuale, richiederne uno al rivenditore prima di installare e usare il caricatore e l'attrezzo.
- Leggere attentamente tutto il materiale e imparare a utilizzare l'attrezzatura correttamente e in sicurezza.



Attenzione!

NON utilizzare il caricatore o l'attrezzo come piattaforma di lavoro.



Attenzione!

Utilizzare l'attrezzo solo per le applicazioni previste.



Attenzione!

Non afferrare con l'attrezzo oggetti pesanti che spostino considerevolmente in avanti il baricentro. La macchina potrebbe diventare instabile.



Attenzione!

NON utilizzare il caricatore per sollevare o trasportare persone.

- L'utilizzo della macchina è riservato a personale qualificato.



Attenzione!

Controllare sempre i dintorni della macchina e accertarsi che non siano presenti persone, in particolare bambini, né animali vicino alla macchina prima di mettersi in movimento.

È probabile che l'operatore non riesca a sentire le urla di avvertimento delle persone all'esterno, quando si trova nella cabina con la portiera chiusa.



Figura 261 NON utilizzare il caricatore o l'attrezzo come piattaforma di lavoro.

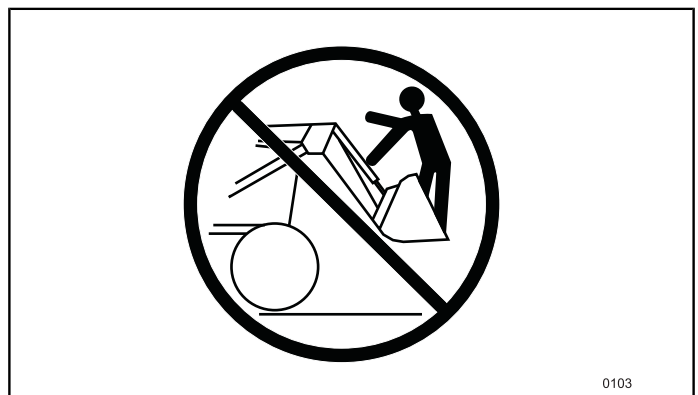


Figura 262 NON utilizzare il caricatore o l'attrezzo per sollevare o trasportare persone.

⚠ Pericolo!
Per prevenire seri danni da intrappolamento e schiacciamento e conseguenti lesioni mortali: Accertarsi che eventuali persone e oggetti estranei si trovino a distanza di sicurezza durante l'uso dell'attrezzo.



Figura 263 Prima dell'avviamento, accertarsi che non vi sia nessuno nelle vicinanze della macchina.

Familiarizzare con l'area di lavoro e il terreno circostante. Fare attenzione all'altezza libera e alle limitazioni correlate all'aumento della portata.

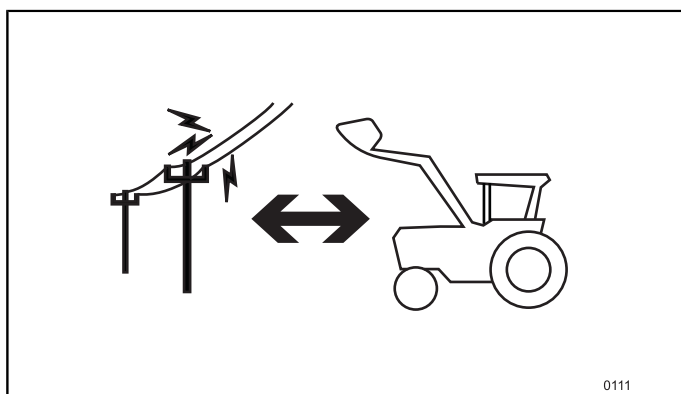


Figura 264 Familiarizzare con l'area di lavoro prima di avviare la macchina. Tenersi a distanza da cavi elettrici e altri ostacoli.

⚠ Attenzione!
Guardare sempre l'attrezzo. Durante il sollevamento del caricatore, gli oggetti carichi possono cadere davanti al trattore o rotolare all'indietro verso il posto dell'operatore. Sollevare solamente oggetti adatti all'attrezzo.

⚠ Attenzione!
Guardare sempre l'attrezzo. Durante il trasporto, gli oggetti possono cadere. Trasportare solamente oggetti adatti all'attrezzo.

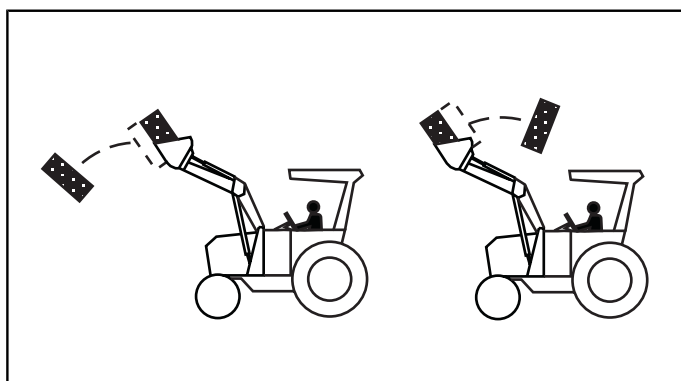


Figura 265 Guardare sempre l'attrezzo. Durante il sollevamento del caricatore, gli oggetti carichi possono cadere davanti al trattore o rotolare all'indietro verso il posto dell'operatore.

⚠ **Attenzione!**
Non mettersi mai fra la parte anteriore del trattore e la traversa del caricatore.

⚠ **Attenzione!**
Rischio di schiacciamento.
Il caricatore potrebbe cadere.
Prima di iniziare la lubrificazione, abbassare il caricatore/l'attrezzo sul terreno.

⚠ **Attenzione!**
In sede di installazione dei flessibili, accertarsi che la lunghezza sia sufficiente e i flessibili non restino schiacciati fra il porta-attrezzi, il braccio di carico o gli snodi. Effettuare le dovute regolazioni.

⚠ **Attenzione!**
Olio pressurizzato.
In caso di perdite, l'olio idraulico ad alta pressione può penetrare nella pelle e causare lesioni gravi, cecità o morte. Le perdite potrebbero essere invisibili.
Usare occhiali protettivi omologati e proteggere la pelle, ad esempio indossando guanti robusti.
Usare un pezzo di cartone o legno per localizzare le perdite. Se l'olio è penetrato nella pelle DEVE essere rimosso entro un paio d'ore da un medico in grado di trattare questo tipo di lesioni.



Figura 266 Non mettersi mai fra la parte anteriore del trattore e la traversa del caricatore.



Figura 267 Non cercare MAI le perdite servendosi delle dita o delle mani nude.

66. DESCRIZIONE

66.1. Definizioni

66.1.1. 3a funzione idraulica

Funzione idraulica ausiliaria per l'azionamento dell'impianto idraulico del porta-attrezzi e del bloccaggio dell'attrezzo.

66.1.2. ErgoDrive / ErgoDrive LCS

Il kit di montaggio contiene valvola di comando meccanica, comando di azionamento meccanico e raccordi idraulici per il modello di trattore indicato.

66.1.3. ElectroDrive CDC / ElectroDrive LCS / EasyDrive LCS

Kit di montaggio simile al precedente ma contenente elettrovalvola di comando e comando di azionamento elettrico.

66.1.4. Kit flessibili

Flessibili e componenti idraulici per il collegamento del caricatore alla valvola originale del trattore.

66.2. Porta-attrezzi

L'attrezzo può essere equipaggiato con diversi tipi di ganci, a seconda del tipo di fissaggio su caricatore/macchina base. Sono disponibili diversi sistemi di fissaggio per i ganci, ad es. mediante saldatura o diversi tipi di imbullonatura. Per informazioni sui ganci attrezzo disponibili, contattare Ålö AB. Verificare che il gancio attrezzo sia compatibile con il sistema di fissaggio di caricatore/macchina base. **Non improvvisare e non adattare mai!**

Prima dell'uso, accertarsi che l'attrezzo sia bloccato correttamente rispetto alle istruzioni per il caricatore/la macchina base e il porta-attrezzi.

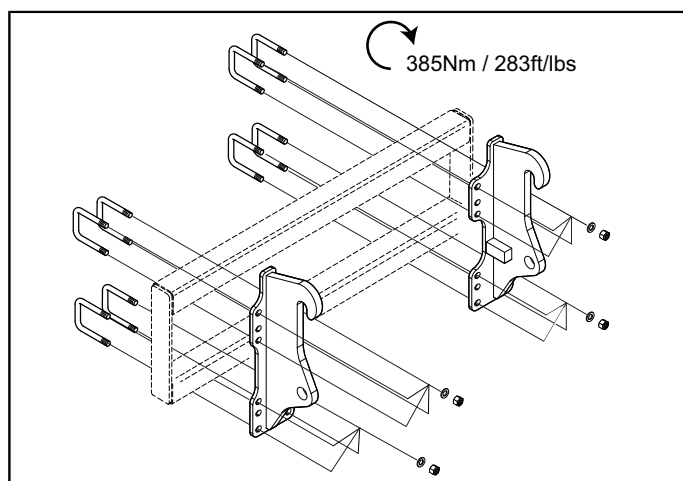


Figura 268 L'attrezzo può essere equipaggiato con diversi tipi di ganci.

67. ISTRUZIONI PER L'USO

67.1. Applicazioni

67.1.1. Uso previsto

L'attrezzo dispone di due rulli che si usano per sostenere il materiale movimentato. Trasportare il materiale alla minore altezza possibile. L'applicazione principale è la movimentazione di:

- balle quadrate
- balle rotonde

Durante la guida, abbassare il caricatore il più possibile. Considerare che maggiore è il sollevamento del caricatore, più alto diventa il baricentro del trattore e, pertanto, maggiore è il rischio di ribaltamento.

67.2. Operazioni preliminari all'utilizzo dell'attrezzo

Controllare con cautela che:

1. il flessibile collegato al lato (+) del cilindro abbia la marcatura rossa e l'attrezzo si muova come descritto per i comandi apri/chiedi;
2. non vi siano perdite d'olio idraulico.
3. l'attrezzo sia montato correttamente nel porta-attrezzi e i perni siano bloccati. Premere la parte anteriore dell'attrezzo contro il terreno (1) per controllare che sia fissato correttamente (2).

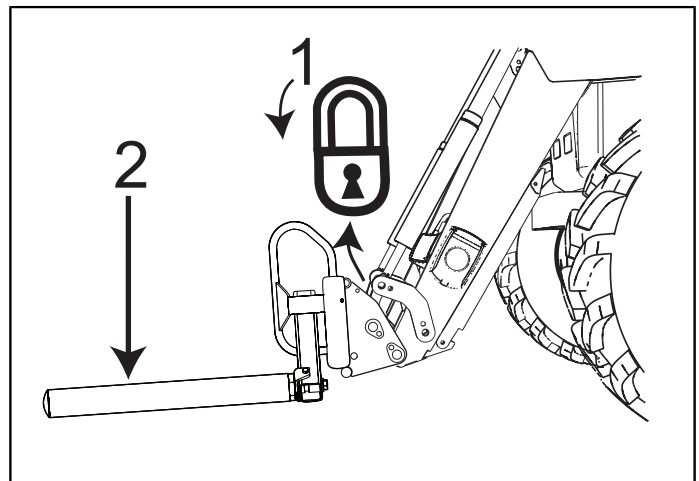


Figura 269 Controllare che l'attrezzo sia fissato correttamente, provando a premere la parte anteriore contro il terreno.

4. non vi siano rischi di collisione fra la struttura del caricatore frontale e l'attrezzo (vedere figura).
5. Lubrificare l'attrezzo sufficientemente 68.
Lubrificazione e manutenzione.

Vedere anche Collegamento e scollegamento dell'attrezzo nel manuale istruzioni del caricatore.

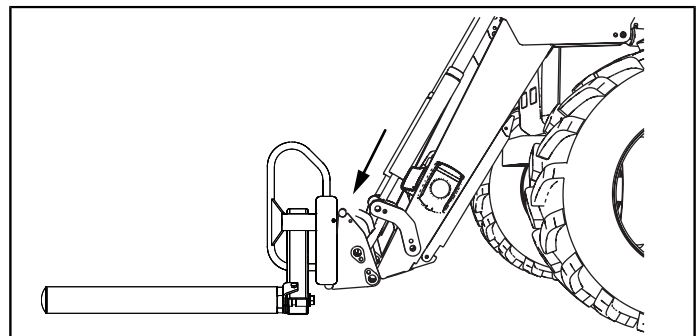


Figura 270 Controllare con cautela che non vi siano rischi di collisione fra caricatore e attrezzo.

**Attenzione!**

NON sostare, passare o lavorare sotto un caricatore sollevato. Accertarsi che non siano presenti persone, in particolare bambini, né animali nell'area di lavoro.



0106

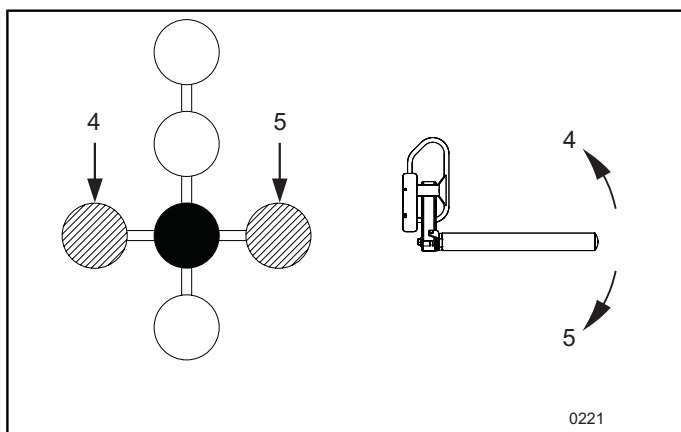
Figura 271 NON sostare, passare o lavorare sotto un caricatore sollevato.

67.2.1. Svuotare/richiamare l'attrezzo

Montaggio a destra: Portare la leva a sinistra (4) per richiamare l'attrezzo.

Portare la leva a destra (5) per svuotare l'attrezzo.

Nota - In caso di montaggio a sinistra, i movimenti sono invertiti (non vale per EasyDrive LCS ed ElectroDrive LCS, disponibili solo con montaggio a destra).



0221

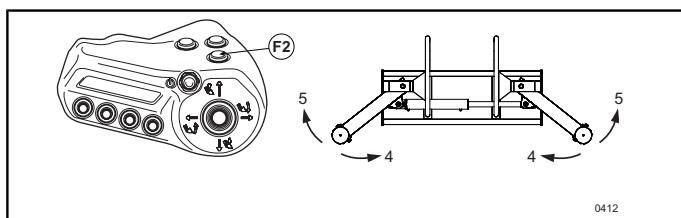
Figura 272 Svuotare/richiamare l'attrezzo

67.2.2. Apertura/chiusura dell'attrezzo - EasyDrive LCS ed ElectroDrive LCS

Per aprire e chiudere l'attrezzo si utilizza la terza funzione idraulica, comandata dall'interruttore F2.

L'attrezzo si apre portando la leva a destra (5) e si chiude portandola a sinistra (4) (montaggio a destra).

Quando si rilascia l'interruttore della terza funzione idraulica, il comando torna immediatamente alla funzione svuota/richiamo.



0412

Figura 273 Apertura/chiusura dell'attrezzo - EasyDrive LCS ed ElectroDrive LCS

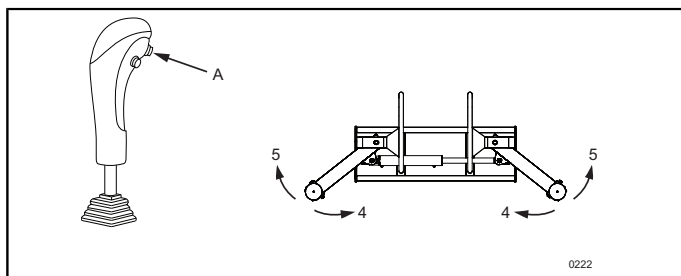
67.2.3. Apertura/chiusura dell'attrezzo - ErgoDrive LCS/ErgoDrive

Per aprire e chiudere l'attrezzo si utilizza la terza funzione idraulica, comandata da un interruttore (A) sulla parte anteriore del joystick.

L'attrezzo si apre portando la leva a destra (5) e si chiude portandola a sinistra (4) (montaggio a destra).

In caso di montaggio a sinistra, i movimenti sono invertiti.

Quando si rilascia l'interruttore della terza funzione idraulica, il comando torna immediatamente alla funzione svuota/richiamo.



0222

Figura 274 Apertura/chiusura dell'attrezzo - ErgoDrive LCS/ErgoDrive

67.2.4. Apertura/chiusura dell'attrezzo - ElectroDrive CDC

Per aprire e chiudere l'attrezzo si utilizza la terza funzione idraulica, comandata dall'interruttore P2.

L'attrezzo si apre portando la leva a destra (5) e si chiude portandola a sinistra (4) (montaggio a destra).

In caso di montaggio a sinistra, i movimenti sono invertiti.

Quando si rilascia l'interruttore della terza funzione idraulica, il comando torna immediatamente alla funzione svuota/richiama.

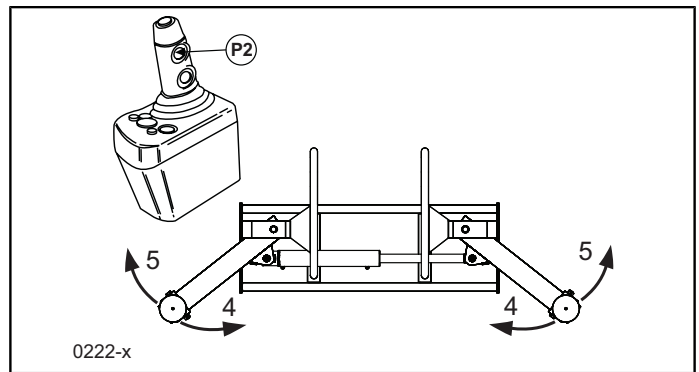


Figura 275 Apertura/chiusura dell'attrezzo - ElectroDrive CDC

67.2.5. Apertura/chiusura dell'attrezzo - Kit flessibili

Per il kit flessibili del joystick del trattore, vedere il manuale istruzioni del trattore.

67.2.6. Istruzioni per l'uso

L'attrezzo è progettato per la movimentazione di balle rotonde (diametro max 172 cm). I rulli riducono il rischio di danni all'eventuale involuco in plastica delle balle. Accertarsi che i rulli affianchino la palla con la massima profondità possibile (i rulli NON devono stringere la palla).

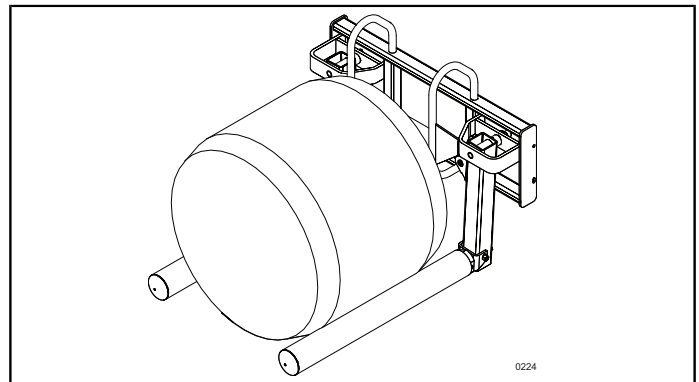


Figura 276 Istruzioni per l'uso

67.2.7. Forca per balle

I rulli (1) sono fissati in sede tramite il perno (2). Rimuovendo la vite (3) è possibile rimuovere il rullo. In tal caso, l'attrezzo può essere utilizzato come forca per balle.

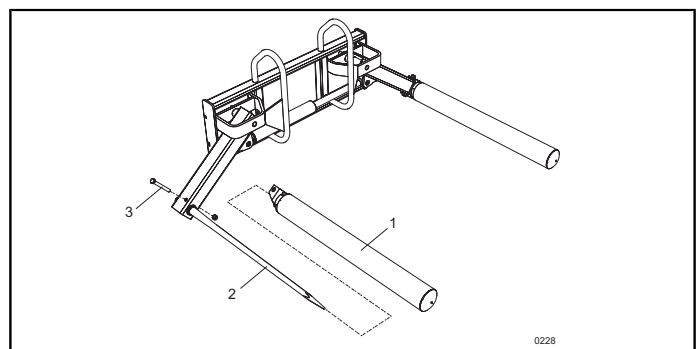


Figura 277 Forca per balle

67.2.8. Per il rimessaggio

Scollegare l'attrezzo con i rulli più divaricati possibili, ma non con il cilindro a fincorsa, per evitare difficoltà al successivo collegamento degli attacchi rapidi a causa della sovrappressione.

Vedere anche Collegamento e scollegamento dell'attrezzo nel manuale istruzioni del caricatore.

68. LUBRIFICAZIONE E MANUTENZIONE



Attenzione!

Non mettersi mai fra la parte anteriore del trattore e la traversa del caricatore.



0106

Figura 278 Non mettersi mai fra la parte anteriore del trattore e la traversa del caricatore.

68.1. Punti di lubrificazione

Lubrificare i seguenti nipli d'ingrassaggio con grasso universale, ogni 10 ore d'esercizio.

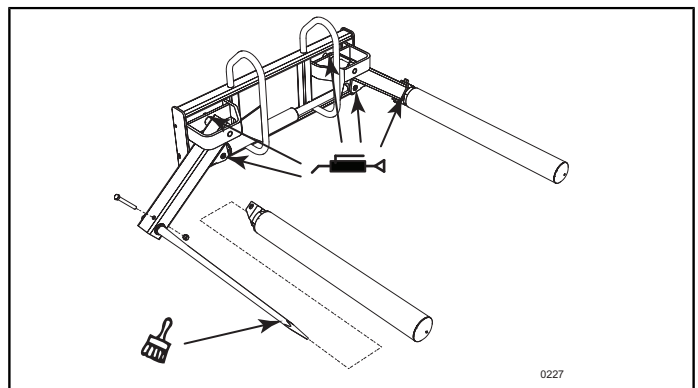


Attenzione!

Rischio di schiacciamento.

Il caricatore potrebbe cadere.

Abbassare al suolo il l'attrezz e chiudere l'attrezzo, prima d'iniziare la lubrificazione.



0227

Figura 279 I nipli d'ingrassaggio si trovano presso ogni perno articolato, su entrambi i lati dell'attrezzo.

68.2. Conservazione

Applicare un sottile strato di grasso sulle parti visibili degli steli dei pistoni per proteggerle.

68.3. Flessibili e cilindri

Leggere queste istruzioni prima di controllare se vi siano perdite dall'impianto idraulico.



Attenzione!

Olio pressurizzato.

In caso di perdite, l'olio idraulico ad alta pressione può penetrare nella pelle e causare lesioni gravi, cecità o morte. Le perdite potrebbero essere invisibili.

Usare occhiali protettivi omologati e proteggere la pelle, ad esempio indossando guanti robusti.

Usare un pezzo di cartone o legno per localizzare le perdite. Se l'olio è penetrato nella pelle DEVE essere rimosso entro un paio d'ore da un medico in grado di trattare questo tipo di lesioni.



0118a

Figura 280 Non cercare MAI le perdite servendosi delle dita o delle mani nude.

Controllare flessibili e raccordi a intervalli regolari per verificare se presentano usura e perdite. Accertarsi che i flessibili abbiano spazio di movimento sufficiente e che non sfreghino contro altri componenti. Sostituire i flessibili danneggiati e serrare tutti i raccordi.

I cilindri sono a doppio effetto. Devono essere mantenuti sempre in buone condizioni per fornire prestazioni ottimali. Le perdite, interne o esterne, peggiorano le prestazioni e possono essere pericolose.

Per funzionare in modo ottimale, l'attrezzo necessita di un impianto idraulico ad alta pressione. Utilizzare solo ricambi approvati dal produttore.

68.3.1. Controllo dei raccordi idraulici

Controllare che tutti i flessibili e gli adattatori siano serrati e che non vi siano perdite.

68.3.2. Riparazione dei cilindri idraulici

Lo smontaggio, la riparazione e il montaggio dei cilindri idraulici richiedono attrezzi speciali per evitare danni ai componenti interni. Si raccomanda di rivolgersi sempre a un rivenditore autorizzato per la riparazione dei cilindri.

69. DATI

Cilindro	65/40
Pressione olio	120 - 200 bar / 12 - 20 Mpa
Dimensioni balla	120 - 172 cm
Carico max	1.000 kg
Distanza max fra i rulli	172 cm
Peso	175 kg

69.1. Tabella delle raccomandazioni

Quicke / Trima

Loader	Q3	Q3S	Q3M	Q3L	Q4	Q4S	Q4M	Q4L	Q5	Q5S	Q5M	Q5L
Flexibal	1	1	1	1	1	1	1	1	1	1	1	1

Loader	Q6	Q6S	Q6M	Q6L	Q7	Q7S	Q7M	Q7L	Q8M
Flexibal	1	1	1	1	1	1	1	1	1

Loader	X1	X1S	X2	X2S	X3	X3S	X4	X4S	X5	X5S
Flexibal	2	2	2	1	2	1	2	1	2	1

- 1 Combinazione raccomandata
- 2 Combinazione sconsigliata

⚠ Cautela!
L'operatore del caricatore telescopico o della macchina articolata deve essere informato in merito al carico da movimentare/trasportare e deve conoscere il peso e il baricentro. Considerare che il baricentro del carico può spostare quello complessivo della macchina base riducendone la stabilità, con il conseguente rischio di danni alla macchina e/o alla proprietà e lesioni personali all'operatore o alle persone nei dintorni.

Importante! Le raccomandazioni per la pala gommata e altre macchine articolate si basano sul carico di ribaltamento della macchina base. Le macchine articolate perdono stabilità in caso di guida incauta, soprattutto in curva. Prestare attenzione!

Importante! È importante conoscere bene il CARICO e la MACCHINA BASE! Leggere attentamente il manuale della macchina base e rispettare le limitazioni indicate prima della guida.

70. CONDIZIONI DI GARANZIA

ÅLÖ AB si impegna, per un periodo di 12 (dodici) mesi dalla data di consegna del caricatore/dell'attrezzatura all'acquirente, a sostituire o riparare i componenti che, a causa di difetti di materiale o fabbricazione, dovessero richiedere tali interventi. A tal scopo, il difetto deve essere segnalato immediatamente al fornitore e il caricatore/l'attrezzatura devono essere messi a sua completa disposizione.

Per i componenti sostituiti, la garanzia vale solamente fino alla scadenza della garanzia originale.

La garanzia non copre difetti o rotture provocati da incidenti, manutenzione inadeguata, modifiche o montaggio errato da parte dell'acquirente. In caso di sostituzione in garanzia di componenti sottoposti a usura elevata, l'acquirente è tenuto a corrispondere la differenza fra valore dell'usato e del nuovo.

Non sono risarciti costi per lesioni personali, fermi macchina, danni conseguenti o altre perdite.

I test e la ricerca dei guasti effettuati su richiesta dell'acquirente sono gratuiti qualora emergano vizi nel corso di tali verifiche.

In caso contrario, sono addebitati tutti i costi all'acquirente.

Non saranno rimborsati riparazioni o costi supplementari connessi a riparazioni eseguite al di fuori del normale orario di lavoro.

DICHIARAZIONE DI CONFORMITÀ CE

(Direttiva 2006/42/CE, Allegato 2A)

ÅLÖ AB

Brännland 300

SE-901 37 Umeå, Svezia

Tel. +46 (0)90 17 05 00

Con la presente dichiara che:

I modelli di attrezzi descritti in questo manuale, vedere in copertina, fabbricati a partire dal novembre 2015.

A. sono prodotti in conformità alle DIRETTIVE DEL CONSIGLIO:

- del 17 maggio 2006 relativa all'armonizzazione della legislazione degli Stati membri sulle macchine, 2006/42/CE, con particolare riferimento all'Allegato 1 sui requisiti minimi di igiene e sicurezza nella progettazione e fabbricazione di macchine;

B. sono prodotti in conformità alle seguenti norme armonizzate:

EN ISO 12100:2010, EN ISO 4413:2010, EN 12525:2000+A2 2010.

L'esame del tipo per conto di ÅLÖ AB è stato eseguito da RISE SMP Svensk Maskinprovning AB, Box 7035, SE-75007 Uppsala, Svezia. Certificato numero: SEC/09/2051 - attrezzi idraulici.

La persona autorizzata a costituire il fascicolo tecnico presso ÅLÖ AB è Anders Lundgren, Direttore Sviluppo Prodotti.



Umeå 2022-09-01

Niklas Åström

AD

UK DECLARATION OF CONFORMITY

(Vale per il mercato del Regno Unito)

Address: Manufacturer

ÅLÖ AB

Brännland 300

SE-901 37 Umeå, Sweden

Tel. +46 (0)90 17 05 00

Address: Authorized representative

Alo UK Ltd

Unit 1 Ryelands Business Centre,

Ryelands Lane,

Elmley Lovett,

Droitwich,

Worcestershire

WR9 0PT, UK

Hereby certifies that:

Attachment models described in this document, see front page, from and including manufacturing month November 2015.

A. manufactured in conformity with the provisions in the Supply of Machinery (Safety) Regulations 2008,

B. manufactured according to the following designated standards: BS EN ISO 12100:2010, BS EN ISO 4413:2010, BS EN 12525:2000+A2:2010.

RISE SMP Svensk Maskinprovning AB, Box 7035, SE-75007 Uppsala, Sweden, has carried out voluntary type examination for ÅLÖ AB. The certificate has number: SEC/09/2051 – hydraulic implements.

The person authorized to compile technical documentation at ÅLÖ AB is Anders Lundgren, Executive Vice President R&D.



Umeå 2022-09-01

Niklas Åström

President and Chief Executive Officer (CEO)

71. WSTĘP

71.1. Informacje ogólne



Ostrzeżenie!
Niedbale lub nieprawidłowe użytkowanie sprzętu może spowodować poważne obrażenia ciała lub śmierć operatora lub innych osób. Przestrzegaj instrukcji bezpieczeństwa.

Niniejsza instrukcja obsługi opisuje sposób użytkowania i konserwacji osprzętu. Informacje zawarte w instrukcji były zgodne ze stanem faktycznym w momencie druku. Jeżeli nie rozumiesz jakiegoś fragmentu instrukcji, skontaktuj się ze sprzedawcą sprzętu.

Instrukcja obsługi jest dołączona do każdego osprzętu, a jej celem jest zademonstrowanie operatorowi sposobu obsługi i konserwacji osprzętu. Przeczytaj wszystkie informacje i stosuj je w praktyce, aby eksploatacja opisanego tu osprzętu mogła odbywać się w bezpieczny sposób i bez długich przestoju. Niniejszy osprzęt został zaprojektowany z myślą o prostym serwisie, a do jego konserwacji wystarczą normalne narzędzia ręczne.

Przeczytaj i przeanalizuj dokładnie tekst instrukcji obsługi, zanim zaczniesz używać osprzętu. Jeżeli jesteś niedoświadczonym operatorem, zapoznaj się dokładnie z instrukcją obsługi i poproś doświadczonych operatorów o pomoc. Sprzedawca sprzętu może udzielić Ci pomocy w zakresie nauki obsługi oraz instruktażu dotyczącego prawidłowych metod pracy. Niniejsza instrukcja obsługi powinna być łatwo dostępna, najlepiej w traktorze. Jeżeli stara instrukcja ulegnie zniszczeniu lub zgubi się, zamów nową.

Przeczytaj również instrukcję obsługi ładowarki, która zawiera ważne informacje dotyczące Twojego bezpieczeństwa.



Ostrożnie!
Przeczytaj całą instrukcję obsługi, zanim zaczniesz używać produktu.

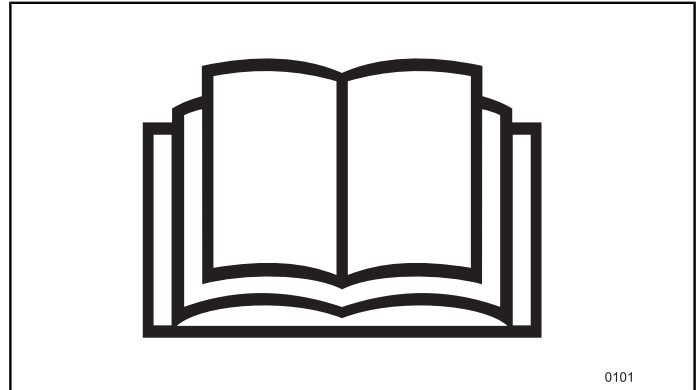
Zastrzegamy sobie prawo do wprowadzania w dowolnym momencie zmian dotyczących konstrukcji i specyfikacji oraz ulepszeń, bez uprzedzenia lub zobowiązań.

Wpisz informacje z tabliczki znamionowej osprzętu i podawaj je zawsze, kontaktując się ze swoim sprzedawcą.

Tabliczka zawiera:

Produkt, typ, numer referencyjny i seryjny oraz masa.

W przypadku pytań dotyczących serwisu lub zamawianiu części zamiennych zawsze podawaj: produkt (A), typ (B) i numer seryjny (C).



Rys. 281 Przeczytaj całą instrukcję obsługi, zanim zaczniesz używać produktu.

Informacja o produkcie

Product	
Type	
Ref. No.	
Serial No.	
Date	
Weight	
Manufacturer	
Reseller information	

Rys. 282 Informacja o produkcie

	Made by ÅTÖ AB	Ref.No. XXXXXXXXXX	Serial No. / Year XXXXXXXXXX XXXXX	A B C
	Umeå Sweden Made in xxxxxxxx	Kit no. XXXXXXXXXX	Weight XXXXXXXX kg	

Rys. 283 Tabliczka znamionowa.

72. INSTRUKCJA BEZPIECZEŃSTWA

72.1. Informacje ogólne

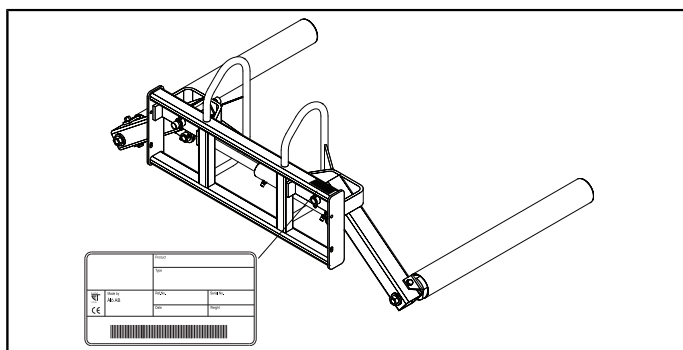
Bezpieczeństwo operatora jest jednym z najważniejszych czynników uwzględnianych przy projektowaniu nowego osprzętu. Konstruktorzy wyposażają sprzęt w możliwie jak najwięcej funkcji bezpieczeństwa. Co roku dochodzi do wielu wypadków, których można by uniknąć dzięki większej rozwadze i ostrożniejszemu manewrowaniu osprzętem.

Unikaj wypadków prowadzących do obrażeń ciała. Przeczytaj poniższe instrukcje dotyczące bezpieczeństwa osób i nakłaniaj swoich pracowników/współpracowników do ich przestrzegania.

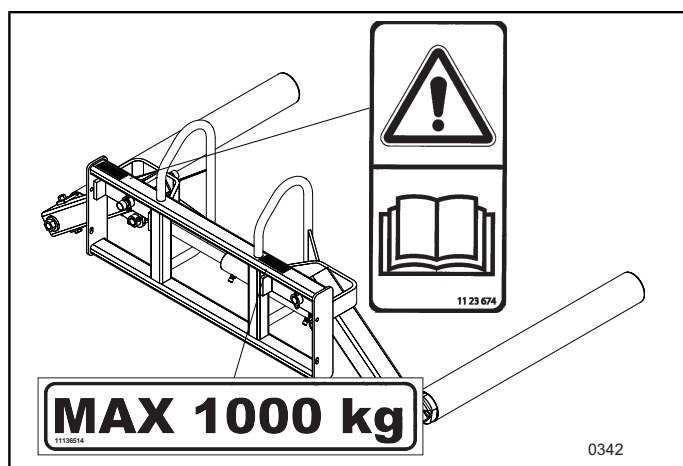
72.1.1. Naklejki ostrzegawcze

Naklejki ostrzegawcze są umieszczone w różnych punktach osprzętu. Znajdź, przeczytaj i zastanów się nad znaczeniem naklejek, zanim rozpoczniesz użytkowanie ładowarki oraz jej osprzętu.

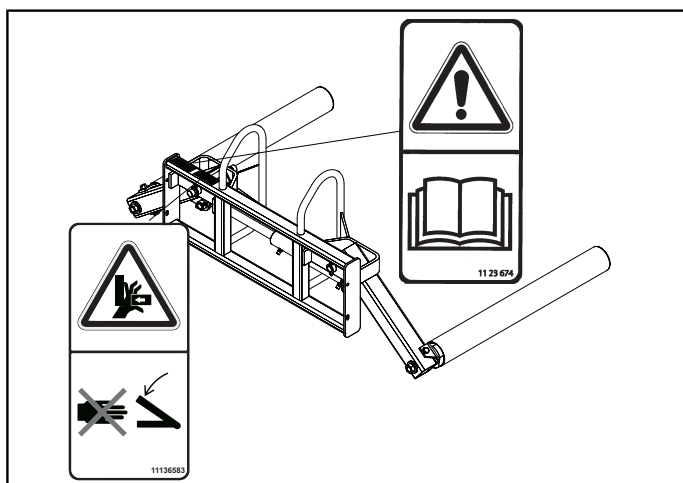
- Nie zasłaniaj i nie usuwaj żadnych naklejek ostrzegawczych. Jeżeli naklejki ostrzegawczej nie ma lub jest ona nieczytelna, zastąp ją nową naklejką. Nowe naklejki są dostępne u sprzedawcy sprzętu.



Rys. 284 Umieszczenie tabliczki znamionowej.



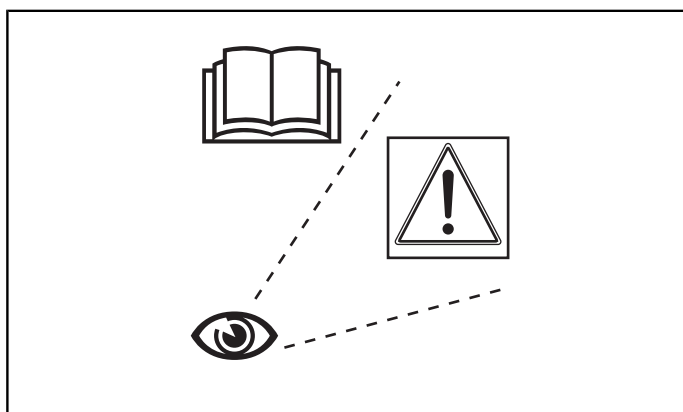
Rys. 285 Umieszczenie naklejek ostrzegawczych



Rys. 286 Umieszczenie naklejek ostrzegawczych (Ameryka północna).

72.2. Objaśnienie poziomów ostrzeżeń

Jeżeli na naklejkach lub w instrukcji obsługi znajdziesz symbol bezpieczeństwa i teksty ostrzegawcze, MUSISZ przestrzegać podanych tam instrukcji, ponieważ mają one związek z Twoim bezpieczeństwem osobistym.



Rys. 287 Znajdź, przeczytaj i zastanów się nad znaczeniem naklejek, zanim rozpoczniesz użytkowanie ładowarki oraz jej osprzętu.

72.2.1. Objaśnienie symboli

Symbol bezpieczeństwa. Informacje podane przy tym symbolu dotyczą Twojego bezpieczeństwa osobistego i trzeba ich przestrzegać.



Niebezpieczeństwo!

Oznacza sytuację stwarzającą bezpośrednie zagrożenie, która może spowodować poważne obrażenia ciała lub śmierć, jeśli się jej nie uniknie. (North America)



Ostrzeżenie!

Oznacza, że nieprzestrzeganie instrukcji może doprowadzić do nieszczęśliwego wypadku. Wypadek może spowodować poważne obrażenia ciała lub śmierć.



Ostrożnie!

Oznacza, że nieprzestrzeganie instrukcji może doprowadzić do nieszczęśliwego wypadku. Wypadek może spowodować obrażenia ciała.



Rys. 288 Symbol bezpieczeństwa.

Poniższy tekst oraz towarzyszące mu instrukcje nie dotyczą bezpieczeństwa osobistego, ale pojawiają się często w instrukcji i zawierają dodatkowe wskazówki dotyczące obsługi lub serwisu osprzętu.

Ważne! Oznacza, że nieprzestrzeganie instrukcji może doprowadzić do nieszczęśliwego wypadku. Wypadek może spowodować szkody materialne, zakłócenie procesu produkcyjnego lub zanieczyszczenie środowiska.

Uwaga. Zawiera dodatkowe informacje, które mogą ułatwić zrozumienie lub wykonanie określonej czynności.

72.3. Dotyczy kierownictwa i użytkowników

72.3.1. Odpowiedzialność

! **Ostrożnie!**
Niniejszą instrukcję obsługi oraz instrukcję traktora należy zawsze przechowywać w traktorze.

- Jeżeli nie posiadasz instrukcji obsługi traktora, zamów ją u sprzedawcy, zanim zainstalujesz i rozpoczniesz użytkowanie ładowarki i osprzętu.
- Należy dokładnie przeczytać wszystkie materiały i nauczyć się obsługiwać sprzęt w bezpieczny i prawidłowy sposób.

! **Ostrzeżenie!**
NIE używaj ładowarki lub osprzętu jako platformy roboczej.

! **Ostrzeżenie!**
Używaj osprzętu wyłącznie do przewidzianych zastosowań.

! **Ostrzeżenie!**
Nie chwytaj przedmiotów, które spowodują znaczne przesunięcie środka ciężkości na zewnątrz. Może to doprowadzić do utraty stabilności.

! **Ostrzeżenie!**
NIE używaj ładowarki do podnoszenia lub przewożenia osób.

- Maszynę mogą obsługiwać wyłącznie osoby wykwalifikowane.

! **Ostrzeżenie!**
Przed uruchomieniem maszyny lub ruszeniem z miejsca zawsze sprawdź otoczenie maszyny, by upewnić się, że w jej pobliżu nie ma ludzi (zwłaszcza dzieci) i zwierząt.

Gdy siedzisz w kabinie z zamkniętymi drzwiami możesz nie słyszeć ewentualnych okrzyków ostrzegawczych osób znajdujących się na zewnątrz.



Rys. 289 NIE używaj ładowarki lub osprzętu jako platformy roboczej.



Rys. 290 NIE używaj ładowarki lub osprzętu do podnoszenia lub przewożenia osób.



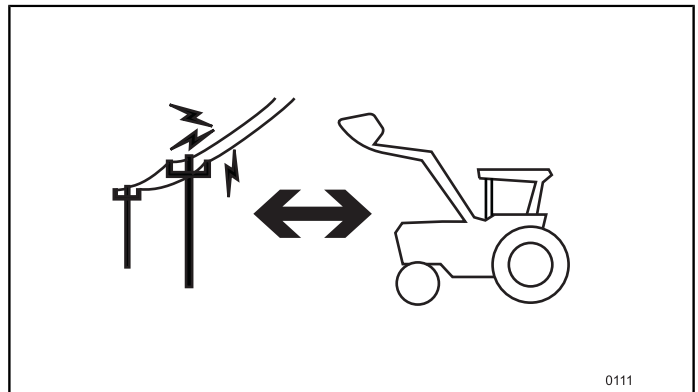
Niebezpieczeństwo!

Aby nie dopuścić do zgniecenia lub przygniecenia, które może doprowadzić do poważnych obrażeń ciała, a nawet śmierci: Upewnij się, że podczas użytkowania osprzętu osoby i przedmioty znajdują się w odpowiedniej odległości.



Rys. 291 Przed uruchomieniem maszyny upewnij się, że w jej pobliżu nie ma żadnych osób.

Zapoznaj się z obszarem roboczym i ukształtowaniem terenu. Uwważaj na prześwity nad maszyną oraz na ograniczenia wynikające ze zwiększonego zasięgu.



Rys. 292 Przed rozpoczęciem pracy zapoznaj się z obszarem roboczym. Zachowaj odpowiednią odległość od przewodów elektrycznych i innych przeszkód.



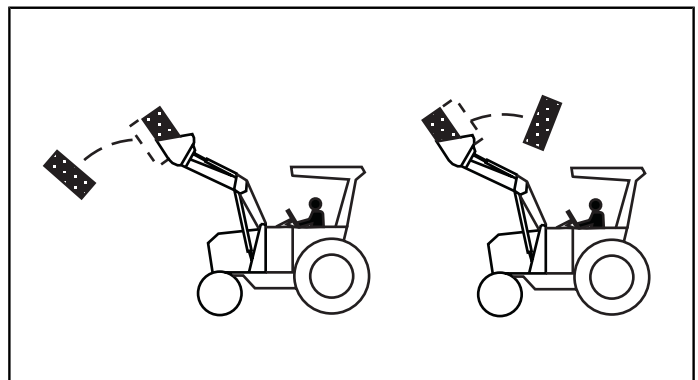
Ostrzeżenie!

Zawsze patrz na osprzęt. Przy podnoszeniu ładowarki przedmioty mogą spaść przed traktor lub stoczyć się na operatora. Podnoś wyłącznie przedmioty, do których przeznaczony jest dany rodzaj osprzętu.



Ostrzeżenie!

Zawsze patrz na osprzęt. Przedmioty mogą wypaść podczas transportu. Transportuj wyłącznie przedmioty, do których przeznaczony jest dany rodzaj osprzętu.



Rys. 293 Zawsze patrz na osprzęt. Przy podnoszeniu ładowarki przedmioty mogą spaść przed traktor lub stoczyć się na operatora.

! **Ostrzeżenie!**
Nigdy nie stawaj między przodem traktora a rurą poprzeczną ładowarki.

! **Ostrzeżenie!**
Niebezpieczeństwo przygniecenia i przytrzaśnięcia.

Ładowarka może spaść.

Przed rozpoczęciem smarowania opuść ładowarkę/osprzęt na ziemię.

! **Ostrzeżenie!**
Montując przewody giętkie, sprawdź, czy ich długość jest wystarczająca i czy nie ulegną zgnieceniu między mocowaniem osprzętu, ramieniem ładowarki i elementami mechanizmu - ewentualnie wyreguluj złącza.

! **Ostrzeżenie!**
Olej pod ciśnieniem.

Olej hydrauliczny pod wysokim ciśnieniem może w przypadku nieszczelności wystrzelić na ciało i spowodować poważne obrażenia, utratę wzroku lub śmierć. Wyciek może być niewidoczny.

Używaj atestowanych okularów ochronnych i chroń skórę na przykład mocnymi rękawicami skórzanymi. Do szukania wycieków użyj kawałka kartonu lub drewna. Jeżeli ciecz wnika w skórę, **MUSI** zostać usunięta w ciągu paru godzin przez lekarza, który potrafi postępować z tego rodzaju obrażeniami.



Rys. 294 Nigdy nie stawaj między przodem traktora a rurą poprzeczną ładowarki.



Rys. 295 NIGDY nie szukaj wycieków palcami lub dłońmi.

73. OPIS

73.1. Definicje

73.1.1. Trzecia funkcja hydrauliczna

Dodatkowa funkcja hydrauliczna do sterowania hydrauliką i blokadą osprzętu.

73.1.2. ErgoDrive / ErgoDrive LCS

Zestaw montażowy zawiera mechaniczny zawór sterujący i mechaniczną dźwignię sterowniczą oraz przyłącze hydrauliczne dla danego modelu traktora.

73.1.3. ElectroDrive CDC / ElectroDrive LCS / EasyDrive LCS

Zestaw montażowy jak powyżej, ale z elektrycznym zaworem sterującym i elektryczną dźwignią sterowniczą.

73.1.4. Zestaw przewodów giętkich

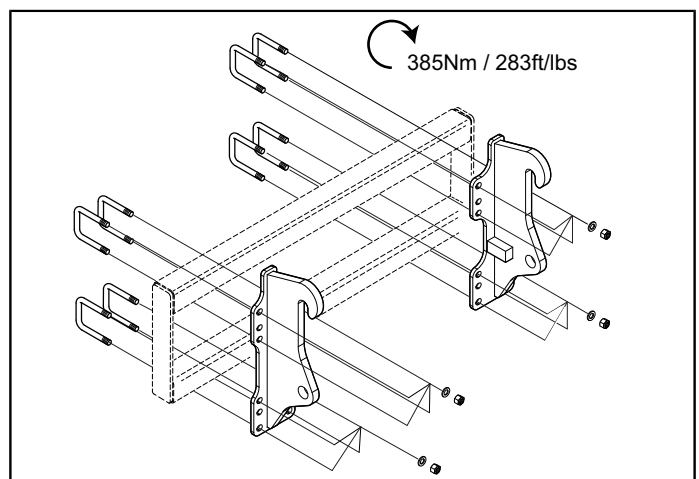
Przewody giętkie oraz inne podzespoły hydrauliczne umożliwiające podłączenie ładowarki do oryginalnego zaworu traktora.

73.2. Mocowania osprzętu

Osprzęt może być wyposażony w różne typy haków osprzętu w zależności od zaczepów występujących w ładowarce/maszynie bazowej. Istnieją różne systemy mocowania haków - spawane lub różne wersje systemów przykręcanych. Aby uzyskać informacje o dostępnych hakach osprzętu, skontaktuj się z firmą Ålô AB. Zwróć uwagę, czy hak osprzętu jest zgodny z systemem mocowania zastosowanym w ładowarce/maszynie bazowej.

Nigdy nie improwizuj ani nie wprowadzaj modyfikacji!

Przed przystąpieniem do użytkowania osprzętu upewnij się, czy został on prawidłowo zablokowany zgodnie z instrukcją ładowarki/maszyny bazowej i zamocowania osprzętu.



Rys. 296 Osprzęt może być wyposażony w różne typy haków osprzętu.

74. INSTRUKCJA UŻYTKOWANIA

74.1. Obszary zastosowania

74.1.1. Przewidziane zastosowania

Osprzęt jest wyposażony w dwa wałki służące do przenoszenia materiału. Materiał należy transportować na możliwie jak najniższej wysokości. Podstawowe obszary zastosowania to przenoszenie:

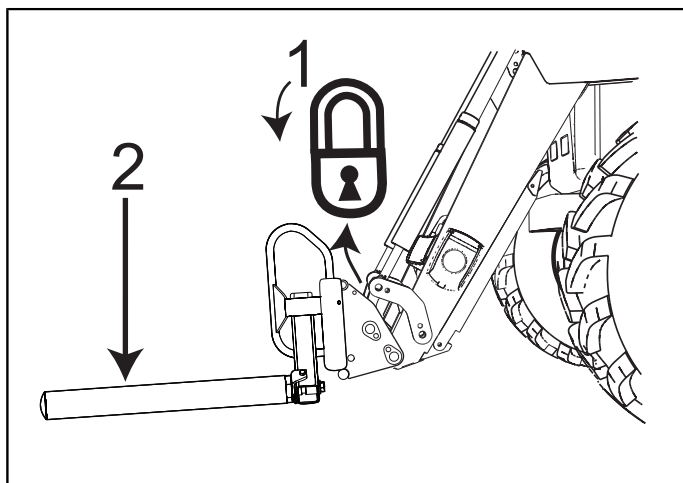
- bel prostokątnych
- bel okrągłych

Podczas jazdy należy maksymalnie obniżyć ładownicę. Pamiętaj, że im wyżej podniesiona jest ładownica, tym wyżej znajduje się środek ciężkości i tym większe ryzyko przewrócenia się traktora.

74.2. Czynności do wykonania przed rozpoczęciem użytkowania osprzętu

Sprawdź, zachowując ostrożność, czy:

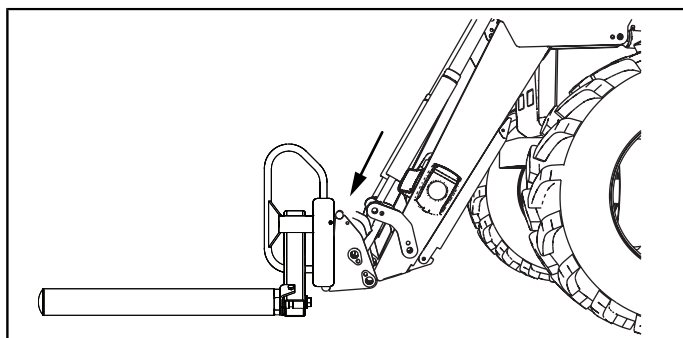
1. Przewód giętki podłączony do siłownika po stronie (+) posiada czerwone oznaczenie i czy osprzęt porusza się zgodnie z opisem czynności otwierania/zamykania.
2. Nie występują wycieki oleju hydraulicznego.
3. Osprzęt został prawidłowo zamontowany w uchwycie i wszystkie sworznie są zablokowane. Naciśnij krawędź osprzętu w kierunku podłoża (1), aby sprawdzić, czy jest dobrze zamocowany (2).



Rys. 297 Sprawdź, czy osprzęt jest dobrze zamocowany, naciskając jego krawędź w kierunku podłoża.

4. Nie występuje niebezpieczeństwo kolizji ładownicy z osprzętem (patrz rysunek).
5. Nasmaruj osprzęt zgodnie z punktem 75. *Smarowanie i konserwacja.*

Patrz też punkt „Podłączanie i odłączanie osprzętu” w instrukcji obsługi ładownicy.



Rys. 298 Sprawdź dokładnie, że nie istnieje ryzyko zderzenia ładownicy i wdrożenia.



Ostrzeżenie!
NIE WOLNO podchodzić, stawać lub pracować pod podniesioną ładowarką. W miejscu pracy nie powinny przebywać osoby postronne (szczególnie dzieci) i zwierzęta.



0106

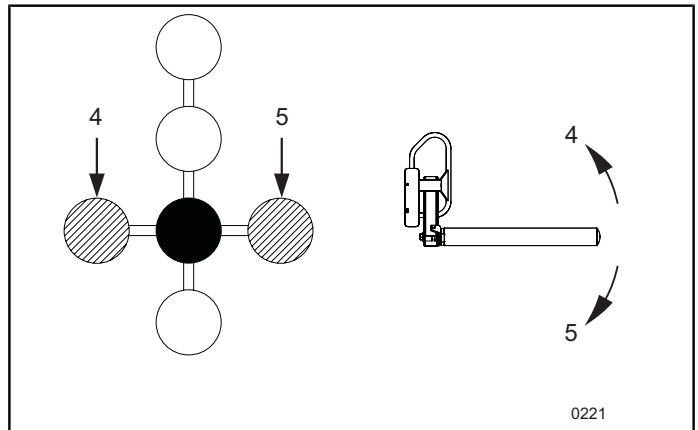
Rys. 299 NIE WOLNO podchodzić, stawać lub pracować pod podniesioną ładowarką.

74.2.1. Opróżnianie/podnoszenie osprzętu

Montaż prawostronny: Przesuń dźwignię w lewo (4), aby podnieść osprzęt.

Przesuń dźwignię w prawo (5), aby opróżnić osprzęt.

Uwaga. W przypadku montażu lewostronnego kierunek ruchów jest przeciwny (nie dotyczy EasyDrive LCS i ElectroDrive LCS, które występują tylko w wersji z montażem prawostronnym).



0221

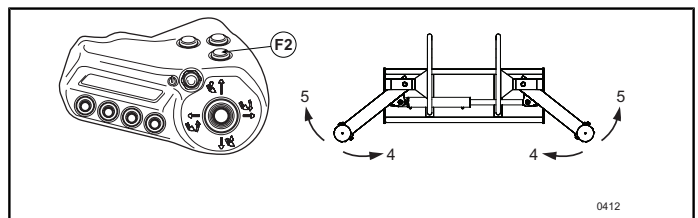
Rys. 300 Opróżnianie/podnoszenie osprzętu

74.2.2. Otwieranie/zamykanie osprzętu – EasyDrive LCS i ElectroDrive LCS

Do otwierania i zamykania osprzętu wykorzystywana jest trzecia funkcja hydrauliczna sterowana za pomocą wyłącznika F2.

Przesunięcie dźwigni w prawo (5) powoduje otwarcie osprzętu, a przesunięcie dźwigni w lewo (4) powoduje zamknięcie osprzętu (montaż prawostronny).

Zwolnienie wyłącznika trzeciej funkcji hydraulicznej powoduje natychmiastowy powrót dźwigni sterowniczej do funkcji opróżniania/podnoszenia.



0412

Rys. 301 Otwieranie/zamykanie osprzętu – EasyDrive LCS i ElectroDrive LCS

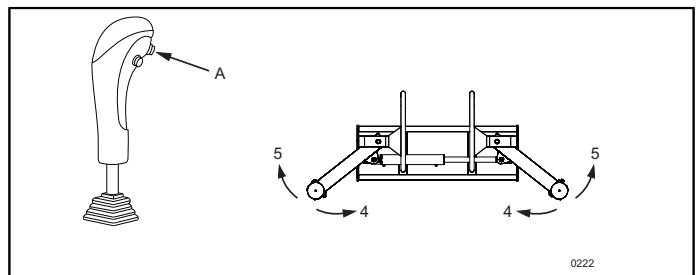
74.2.3. Otwieranie/zamykanie osprzętu - ErgoDrive LCS/ErgoDrive

Do otwierania i zamykania osprzętu wykorzystywana jest trzecia funkcja hydrauliczna, do sterowania którą służy wyłącznik (A) umieszczony z przodu dźwigni sterowniczej.

Przesunięcie dźwigni w prawo (5) powoduje otwarcie osprzętu, a przesunięcie dźwigni w lewo (4) powoduje zamknięcie osprzętu (montaż prawostronny).

W przypadku montażu lewostronnego kierunek ruchów jest przeciwny.

Zwolnienie wyłącznika trzeciej funkcji hydraulicznej powoduje natychmiastowy powrót dźwigni sterowniczej do funkcji opróżniania/podnoszenia.



0222

Rys. 302 Otwieranie/zamykanie osprzętu - ErgoDrive LCS/ ErgoDrive

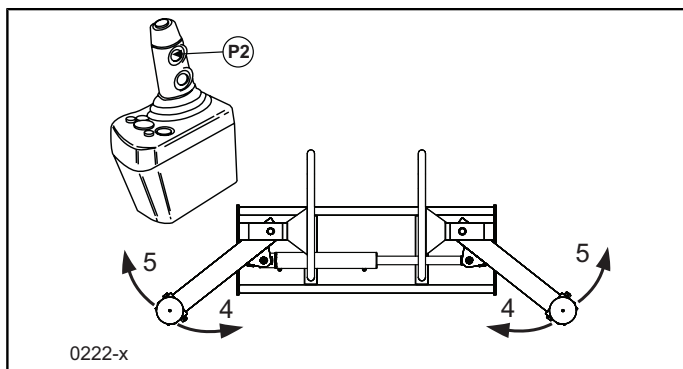
74.2.4. Otwieranie/zamykanie osprzętu – ElectroDrive CDC

Do otwierania i zamykania osprzętu wykorzystywana jest trzecia funkcja hydrauliczna sterowana za pomocą wyłącznika P2.

Przesunięcie dźwigni w prawo (5) powoduje otwarcie osprzętu, a przesunięcie dźwigni w lewo (4) powoduje zamknięcie osprzętu (montaż prawostronny).

W przypadku montażu lewostronnego kierunek ruchów jest przeciwny.

Zwolnienie wyłącznika trzeciej funkcji hydraulicznej powoduje natychmiastowy powrót dźwigni sterowniczej do funkcji opróżniania/podnoszenia.



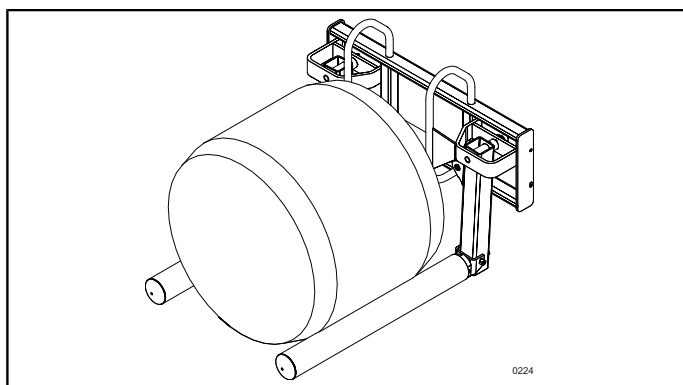
Rys. 303 Otwieranie/zamykanie osprzętu – ElectroDrive CDC

74.2.5. Otwieranie/zamykanie osprzętu - Zespół przewodów giętkich

Zespół przewodów giętkich - dźwignia sterownicza traktora, patrz instrukcja obsługi traktora.

74.2.6. Instrukcja użytkowania

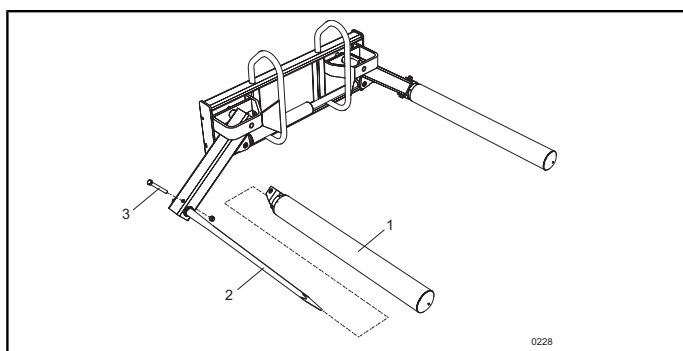
Osprzęt jest przeznaczony do przenoszenia bel okrągłych (maks. średnica 172 cm). Wałki zmniejszają ryzyko uszkodzenia ewentualnej folii ochronnej. Należy dopilnować, by wałki zetknęły się z belą możliwie jak najniżej (oznacza to, że wałki NIE powinny ścisnąć beli).



Rys. 304 Instrukcja użytkowania

74.2.7. Szpikulec do bel

Wałki (1) są ułożyskowane na trzpieniach (2). Wałek można zdjąć po odkręceniu śruby (3). Osprzęt można wtedy wykorzystać jako szpikulec do bel.



Rys. 305 Szpikulec do bel

74.2.8. Przy odstawianiu

Odłącz osprzęt z wałkami możliwie jak najbardziej odsuniętymi od siebie, lecz nie na tyle, by siłownik znalazł się w skrajnym położeniu - mogłoby to spowodować trudności związane z nadmiernym ciśnieniem przy następnym podłączeniu szybkozłączy.

Patrz też punkt „Podłączanie i odłączanie osprzętu” w instrukcji obsługi ładowarki.

75. SMAROWANIE I KONSERWACJA



Ostrzeżenie!

Nigdy nie stawaj między przodem traktora a rurą poprzeczną ładowarki.



0106

Rys. 306 Nigdy nie stawaj między przodem traktora a rurą poprzeczną ładowarki.

75.1. Punkty smarowania

Napełnij następujące smarowniczkę smarem uniwersalnym co 10 godzin pracy.

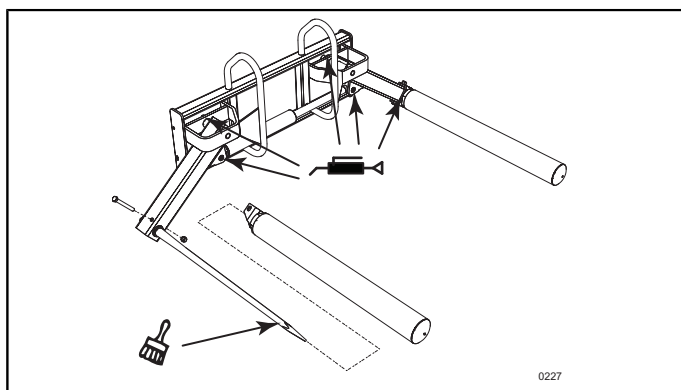


Ostrzeżenie!

Niebezpieczeństwo przygniecenia i przytrzaśnięcia.

Ładowarka może spaść.

Przed rozpoczęciem smarowania opuść osprzętu na ziemię i zamknij osprzętu.



0227

Rys. 307 Smarowniczki znajdują się przy każdym sworzniu przegubu po obu stronach osprzętu.

75.2. Przechowywanie

Nanieś cienką warstwę smaru na widoczne tłoczyska, aby je zabezpieczyć.

75.3. Przewody giętkie i siłowniki

Przeczytaj poniższy tekst przed rozpoczęciem kontroli szczelności układu hydraulicznego:



Ostrzeżenie!

Olej pod ciśnieniem.

Olej hydrauliczny pod wysokim ciśnieniem może w przypadku nieszczelności wystrzelić na ciało i spowodować poważne obrażenia, utratę wzroku lub śmierć. Wyciek może być niewidoczny.

Używaj atestowanych okularów ochronnych i chroń skórę na przykład mocnymi rękawicami skórzanymi. Do szukania wycieków użyj kawałka kartonu lub drewna. Jeżeli ciecz wnika w skórę, MUSI zostać usunięta w ciągu paru godzin przez lekarza, który potrafi postępować z tego rodzaju obrażeniami.



0118a

Rys. 308 NIGDY nie szukaj wycieków palcami lub dłońmi.

Regularnie sprawdzaj przewody giętkie i połączenia pod względem zużycia i wycieków. Upewnij się, że przewody giętkie mają wystarczającą ilość miejsca i nie ocierają się o inne elementy. Wymień uszkodzone przewody giętkie i dokręć wszystkie połączenia.

Siłowniki są siłownikami dwustronnego działania. Dla zapewnienia optymalnego działania trzeba je zawsze utrzymywać w dobrym stanie. Wycieki, wewnętrzne lub zewnętrzne, wpływają na ich sprawność i mogą być niebezpieczne.

Optymalne działanie osprzętu wymaga układu hydraulicznego pracującego pod wysokim ciśnieniem. Używaj wyłącznie części zamiennych zatwierdzonych przez producenta.

75.3.1. Kontrola połączeń hydraulicznych

Sprawdź, czy wszystkie przewody giętkie i końcówki są dokręcone i czy nie przeciekają.

75.3.2. Naprawa siłowników hydraulicznych

Demontaż, naprawa i montaż siłowników hydraulicznych wymagają zastosowania narzędzi specjalnych, by nie doszło do uszkodzenia elementów wewnętrznych. Zalecamy, by siłowniki wymagające naprawy wysłać do autoryzowanego sprzedawcy, który podejmie odpowiednie działania.

76. DANE

Siłownik	65/40
Ciśnienie oleju	120 - 200 bar / 12 - 20 MPa
Wielkość bel	120 - 172 cm
Maks. obciążenie	1000 kg
Maks. odległość między wałkami	172 cm
Masa	175 kg

76.1. Tabela zaleceń

Quicke / Trima

Loader	Q3	Q3S	Q3M	Q3L	Q4	Q4S	Q4M	Q4L	Q5	Q5S	Q5M	Q5L
Flexibal	1	1	1	1	1	1	1	1	1	1	1	1

Loader	Q6	Q6S	Q6M	Q6L	Q7	Q7S	Q7M	Q7L	Q8M
Flexibal	1	1	1	1	1	1	1	1	1

Loader	X1	X1S	X2	X2S	X3	X3S	X4	X4S	X5	X5S
Flexibal	2	2	2	1	2	1	2	1	2	1

1

Zalecana kombinacja

2

Niezalecana kombinacja

**Ostrożnie!**

Operator ładowarki teleskopowej lub maszyny z przegubowym układem kierowniczym musi dobrze znać podnoszony/przenoszony ładunek oraz jego masę i środek ciężkości. Pamiętaj, że środek ciężkości ładunku może spowodować przesunięcie sumarycznego środka ciężkości maszyny bazowej, co grozi utratą stabilności i może do uszkodzenia maszyny lub mienia albo do obrażeń ciała u operatora lub osób przebywających w pobliżu.

Ważne! Zalecenia dla ładowarki kołowej i innych maszyn z przegubowym układem kierowniczym opierają się na obciążeniu wywracającym maszyny bazowej. Pamiętaj, że maszyny z przegubowym układem kierowniczym stają się niestabilne w przypadku nieuważnego prowadzenia, szczególnie podczas skręcania, więc zachowaj ostrożność!

Ważne! Zapoznaj się dobrze z ŁADUNKIEM i MASZYNĄ BAZOWĄ! Przed przystąpieniem do eksploatacji maszyny bazowej przeczytaj dokładnie jej instrukcję i przestrzegaj jej ograniczeń.

77. POSTANOWIENIA GWARANCYJNE

Firma ÄLÖ AB zobowiązuje się przez okres 12 (dwunastu) miesięcy od dnia dostarczenia ładowacza czołowego/sprzętu nabywcy wymienić lub naprawić części, które będą tego wymagać z powodu wad materiału lub wykonania. Obowiązuje przy tym warunek, by wada została niezwłocznie zgłoszona dostawcy, a także by wadliwa ładowacz czołowy/element zostały przekazane do jego swobodnej dyspozycji.

W odniesieniu do części wymienionych gwarancja obowiązuje jedynie przez pozostały okres gwarancyjny.

Gwarancja nie obejmuje usterek spowodowanych niebezpiecznym wypadkiem, nieprawidłową konserwacją, przeróbką lub nieprawidłowo wykonanym montażem ze strony nabywcy. W przypadku wymiany gwarancyjnej części, które są narażone na szczególnie duże zużycie, nabywca jest zobowiązany zapłacić za czas ich eksploatacji.

Nie wypłacamy odszkodowań za obrażenia ciała, przestoje, szkody następce lub inne straty.

Testy lub czynności diagnostyczne wykonywane na zlecenie nabywcy nie wiążą się z kosztami dla nabywcy, jeżeli w ich wyniku zostaną wykryte wady.

W pozostałych przypadkach nabywca będzie obciążony wszystkimi kosztami.

Nie pokrywamy kosztów napraw prowizorycznych lub kosztów dodatkowych związanych z wykonywaniem prac poza zwykłym czasem pracy.

DEKLARACJA ZGODNOŚCI WE

(Dyrektywa 2006/42/WE, Załącznik 2A)

ÄLÖ AB

Brännland 300

SE-901 37 Umeå, Szwecja

Tel. +46 (0)90 17 05 00

Zapewnia niniejszym, że:

Modele osprzętu opisane w niniejszej instrukcji (patrz pierwsza strona), począwszy od miesiąca produkcji: listopad 2015.

A. został wykonany zgodnie z DYREKTYWAMI RADY:

- z dnia 17 maja 2006 roku w sprawie zbliżenia ustawodawstw Państw Członkowskich odnoszących się do maszyn, nr 2006/42/WE, ze szczególnym uwzględnieniem Załącznika 1 dyrektywy określającego zasadnicze wymagania w zakresie ochrony zdrowia i bezpieczeństwa odnoszące się do projektowania i wykonywania maszyn.

B. został wykonany zgodnie z następującymi normami zharmonizowanymi:

EN ISO 12100:2010, EN ISO 4413:2010, EN 12525:2000+A2 2010.

Firma RISE SMP Svensk Maskinprovning AB, Box 7035, SE-750 07 Uppsala, Szwecja, przeprowadziła dobrowolne badanie typu dla ÄLÖ AB. Numer certyfikatu: SEC/09/2051 – osprzęt hydrauliczny.

Osobą odpowiedzialną za przygotowanie dokumentacji technicznej w firmie ÄLÖ AB jest Anders Lundgren, dyrektor ds. rozwoju produktów.



Umeå 2022-09-01

Niklas Åström

Dyrektor naczelny

UK DECLARATION OF CONFORMITY

(Dotyczy rynku Wielkiej Brytanii)

Address: Manufacturer

ÅLÖ AB

Brännland 300

SE-901 37 Umeå, Sweden

Tel. +46 (0)90 17 05 00

Address: Authorized representative

Alo UK Ltd

Unit 1 Ryelands Business Centre,

Ryelands Lane,

Elmley Lovett,

Droitwich,

Worcestershire

WR9 0PT, UK

Hereby certifies that:

Attachment models described in this document, see front page, from and including manufacturing month November 2015.

- A. manufactured in conformity with the provisions in the Supply of Machinery (Safety) Regulations 2008,
- B. manufactured according to the following designated standards: BS EN ISO 12100:2010, BS EN ISO 4413:2010, BS EN 12525:2000+A2:2010.

RISE SMP Svensk Maskinprovning AB, Box 7035, SE-75007 Uppsala, Sweden, has carried out voluntary type examination for ÅLÖ AB. The certificate has number: SEC/09/2051 – hydraulic implements.

The person authorized to compile technical documentation at ÅLÖ AB is Anders Lundgren, Executive Vice President R&D.



Umeå 2022-09-01

Niklas Åström

President and Chief Executive Officer (CEO)

