



Developing profitable customers



HI-X^{evo} COMPACTOR

PARTS LIST



This parts list

Version: HI-X-evo.PL.11
From chassis number: 20527001

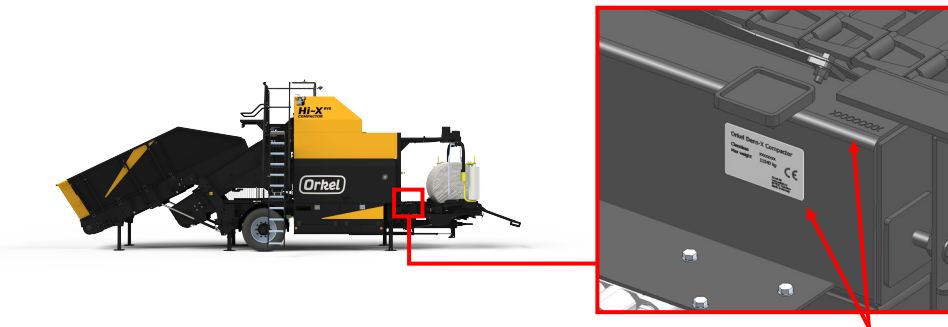
Instructions for ordering spare parts

Illustrated parts are marked with part numbers.

To avoid errors, each part order must include the following information:

- Part number and description of part
- Quantity of parts required
- Chassis number

The chassis number is stamped into the model identification plate on the machine.
It is essential to quote this chassis number in full in all enquiries and spare part orders.



Chassis no.

Disclaimer

The original parts used on an Orkel® machine are designed and built to provide optimum fit, function, safety, and structural integrity. For this reason, Orkel® DOES NOT in any circumstance approve of the use of aftermarket, gray market, or imitation parts.

The information provided by Orkel® hereunder is provided “as is, where is” and with all faults, and the entire risk associated with such information is entirely with the Buyer.

Orkel® does not grant, explicitly or implicitly, to any party any patent rights, licenses, or any other IP rights, whether with regard to such information itself or anything described by such information.

Information provided in this document is proprietary to Orkel®, and Orkel® reserves the right, at its sole discretion, to make any changes or modification to the information in this document or to any products and services at any time without notice.

Orkel® does not assume responsibility for any damages associated with a machine and/or part failure caused by the use of parts other than genuine Orkel® replacement parts, neither do we assume responsibility for any changes to the product made after initial delivery.



Johan Gjønnnes' veg 25
7320 Fannrem
Norway



Spare parts:
+47 913 23 511

Technical Support:
+47 918 43 553



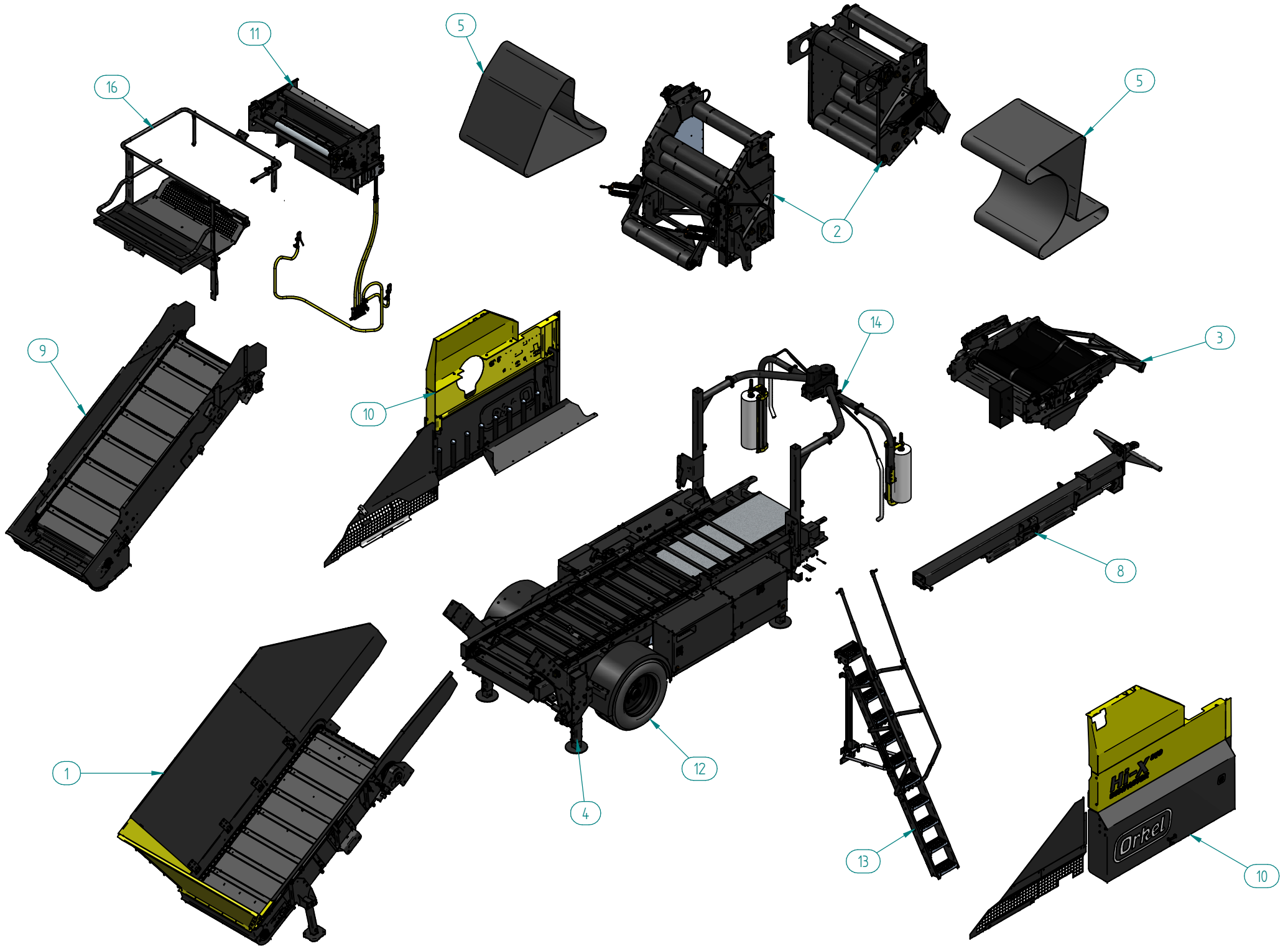
parts@orkel.no

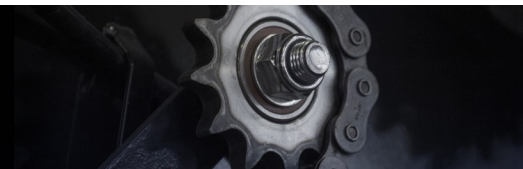


orkel.com



User resources
orkel.no/gr/hi-x-evo





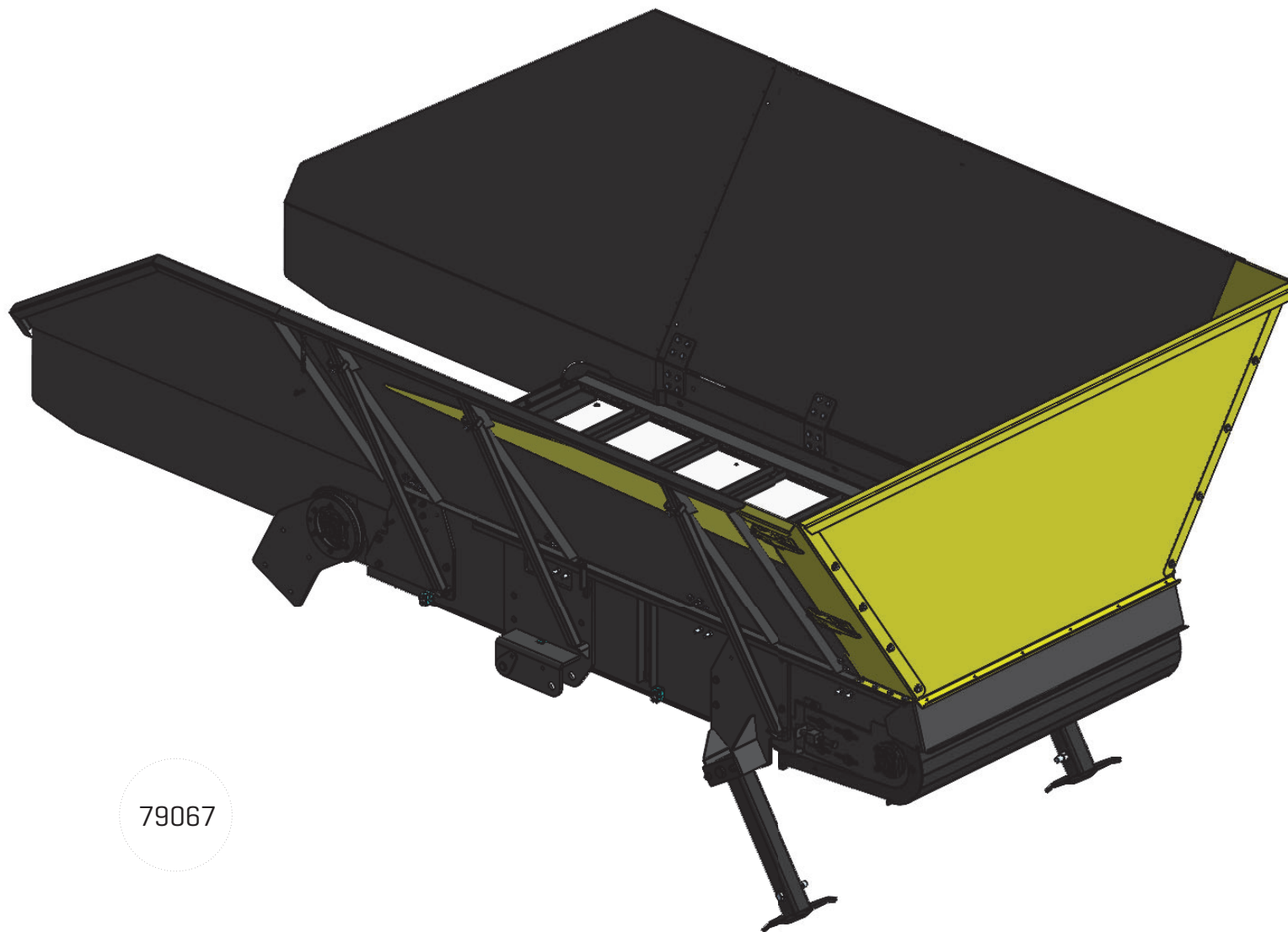
CONTENTS

- 1 Feed hopper F10 evo
- 2 (a) Front chamber (b) Rear chamber
- 3 (a) Wrapping table (b) Wrapping table with weighing system
- 4 Frame
- 5 Belts
- 6 Hydraulics
- 7 Electric
- 8 Telescopic drawbar & PTO shaft
- 9 Elevator
- 10 Cover and film roll holder
- 11 Plastic tying unit & compressed air cleaner system
- 12 Wheel suspension
- 13 Stairs
- 14 Wrapping arms
- 15 Optional equipment
- 16 Platform
- 17 Central lubrication system

Chapter

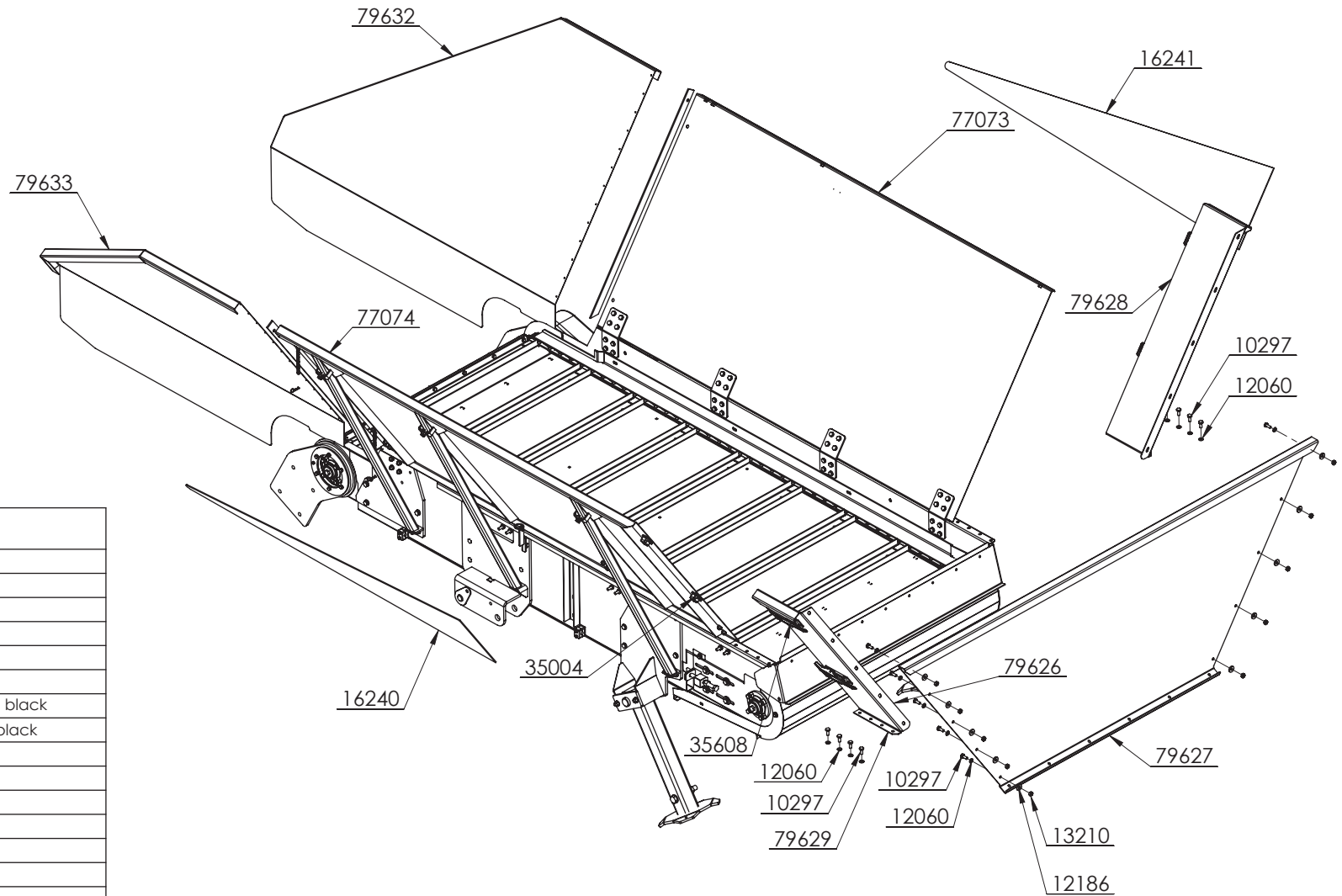
1

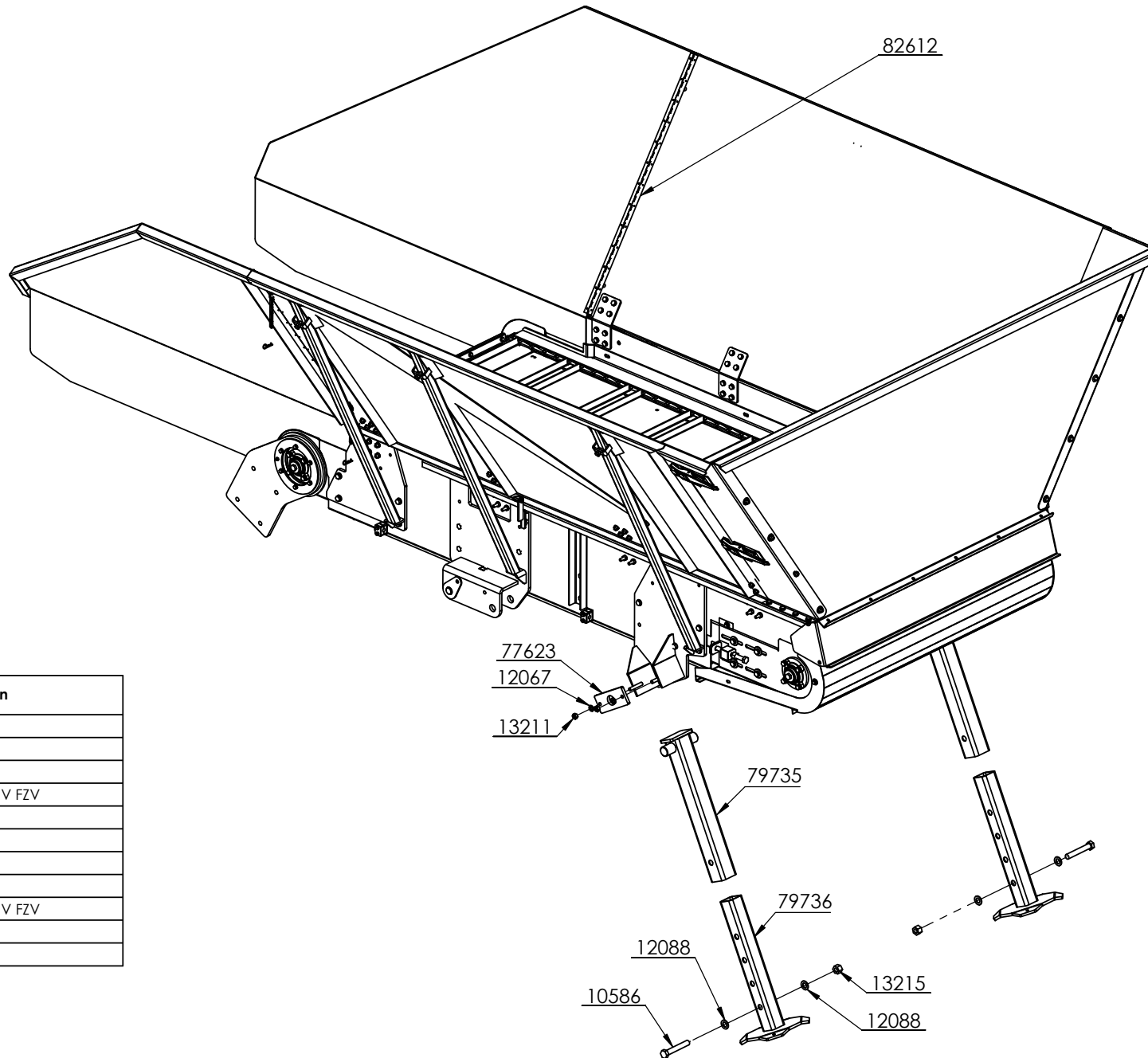
Feed hopper F10 EVO



79067

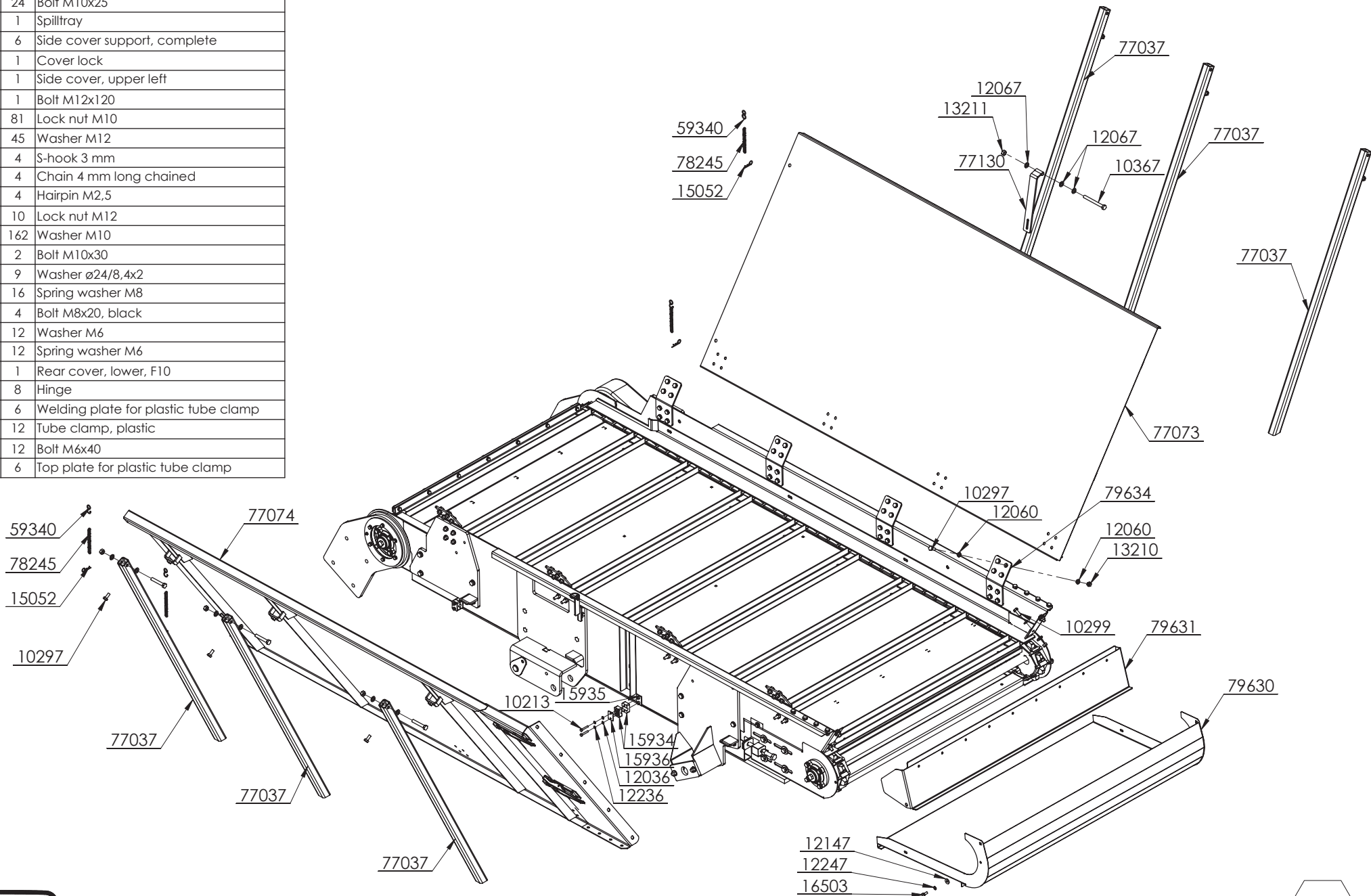
Part number	Qty	Description
10297	24	Bolt M10x25
12060	18	Washer M10
12186	10	Washer ø28/10,5x4
13210	10	Lock nut M10
77073	1	Side cover, upper right
77074	1	Side cover, upper left
79632	1	Middle cover, right bunker, black
79633	1	Middle cover, left bunker, black
16240	1	Sticker, left
16241	1	Sticker, right
79629	1	End cover, upper left
35608	2	Tico lock
79628	1	End cover, upper right
79627	1	End cover, upper
13009	5	Nut M8



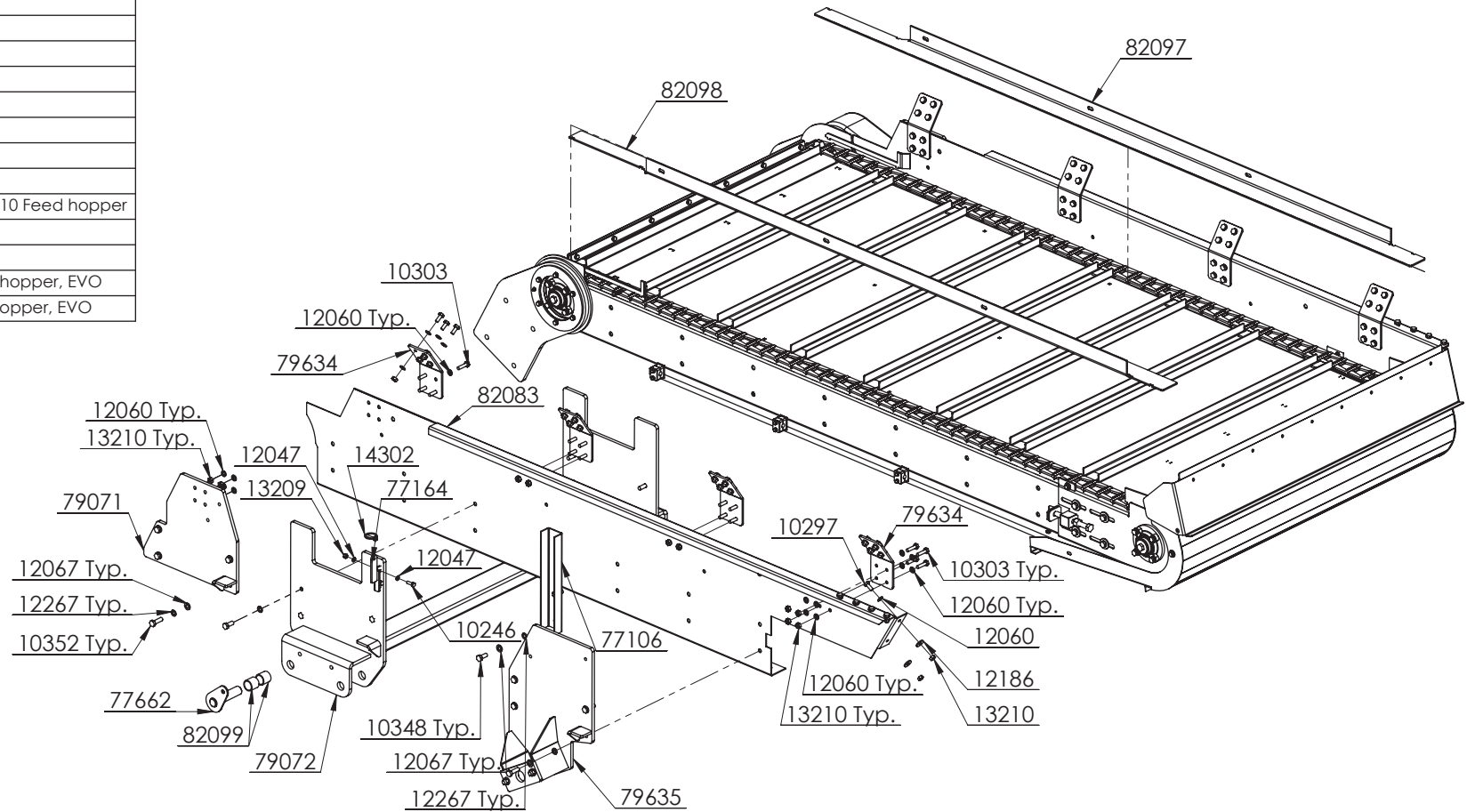


Part number	Qty	Description
77623	2	Fastener, telescopic leg
53306	2	Gasket 1/2"
35011	2	Fitting 1/2" utv. x 3/8" utv.
12067	45	Washer 13 DIN 125A -140HV FZV
13211	10	Lock nut M12
82612	2	Piano hinge L=1120mm
79735	1	Mini foot
79736	1	Mini foot
12088	2	Washer 21 DIN 125A -140HV FZV
10586	1	Bolt M20x130
13215	1	Lock nut M20

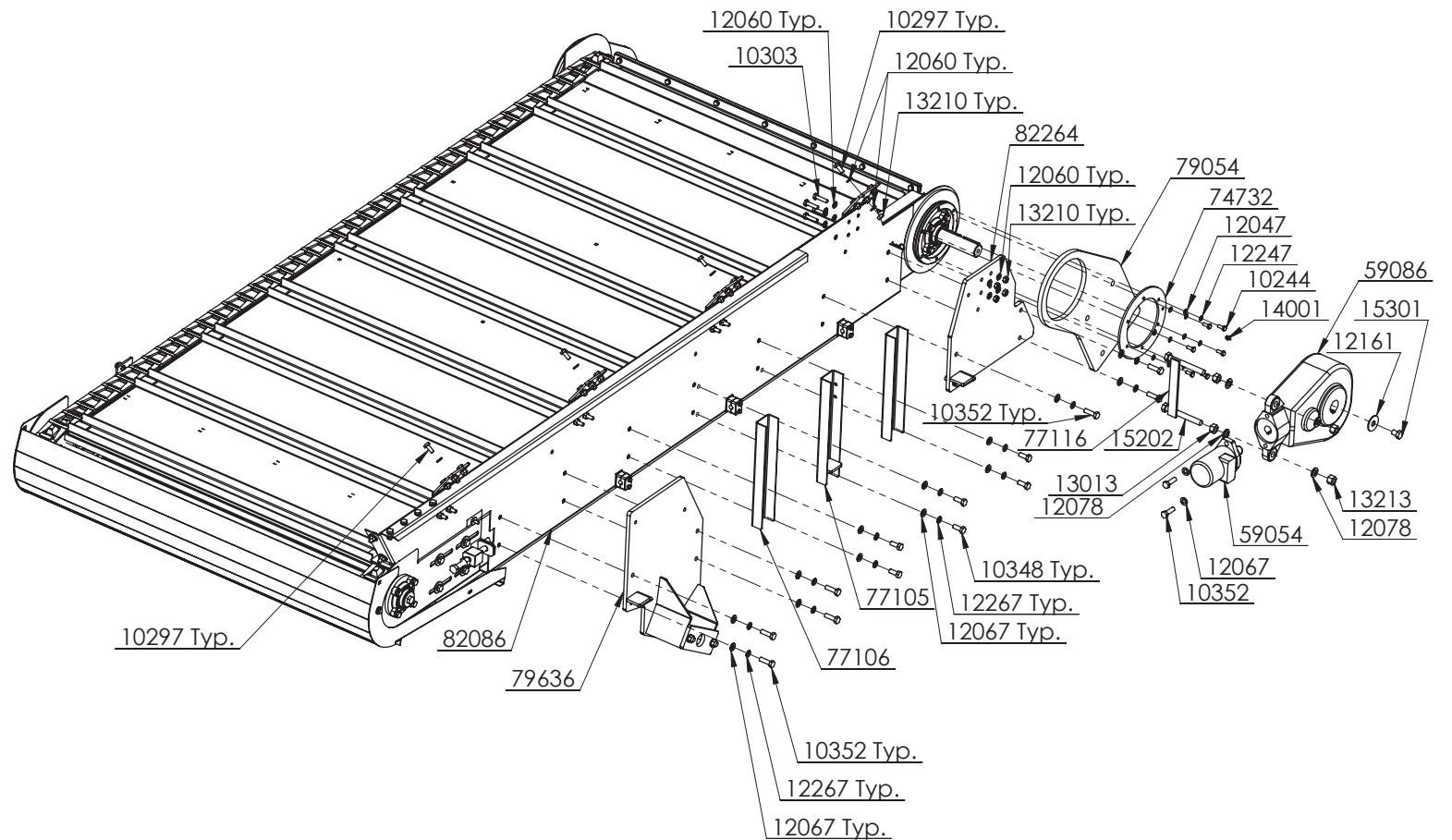
Part number	Qty	Description
10297	24	Bolt M10x25
79630	1	Spilltray
77037	6	Side cover support, complete
77130	1	Cover lock
77074	1	Side cover, upper left
10367	1	Bolt M12x120
13210	81	Lock nut M10
12067	45	Washer M12
59340	4	S-hook 3 mm
78245	4	Chain 4 mm long chained
15052	4	Hairpin M2,5
13211	10	Lock nut M12
12060	162	Washer M10
10299	2	Bolt M10x30
12147	9	Washer $\varnothing 24/8,4 \times 2$
12247	16	Spring washer M8
16503	4	Bolt M8x20, black
12036	12	Washer M6
12236	12	Spring washer M6
79631	1	Rear cover, lower, F10
79634	8	Hinge
15935	6	Welding plate for plastic tube clamp
15934	12	Tube clamp, plastic
10213	12	Bolt M6x40
15936	6	Top plate for plastic tube clamp



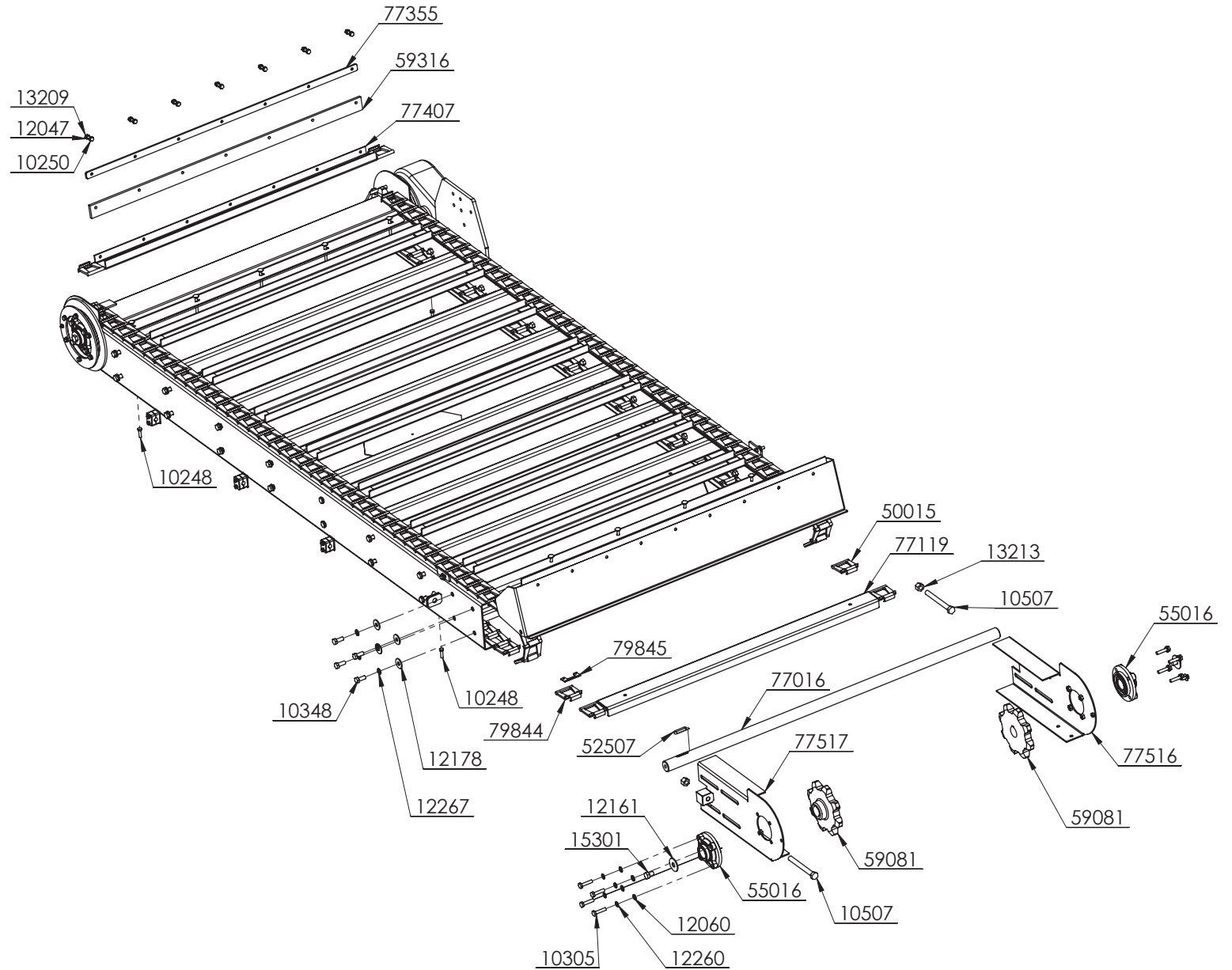
Part number	Qty	Description
12186	10	Washer ø28/10,5x4
79635	1	Bracket, left telescopic leg
77164	1	Cover lock bracket
77106	3	U-profile 1, cover
10352	2	Bolt M12x40
13210	81	Lock nut M10
12067	45	Washer M12
12060	162	Washer M10
14302	1	Ear pin M6
10303	32	Bolt M10x40
12267	36	Spring washer M12
10348	20	Bolt M12x30
10352	16	Bolt M12x40
12047	35	Washer M8
10246	2	Bolt M8x25
13209	9	Lock nut M8
79072	1	Cylinder bracket, F10
77662	2	Bolt, lifting arms
79634	8	Hinge
82099	4	Bushing, piston mount, F10 Feed hopper
79071	1	Cylinder bracket, left
10297	34	Bolt M10x25
82097	1	Chain cover, right feed hopper, EVO
82098	1	Chain cover, left feed hopper, EVO



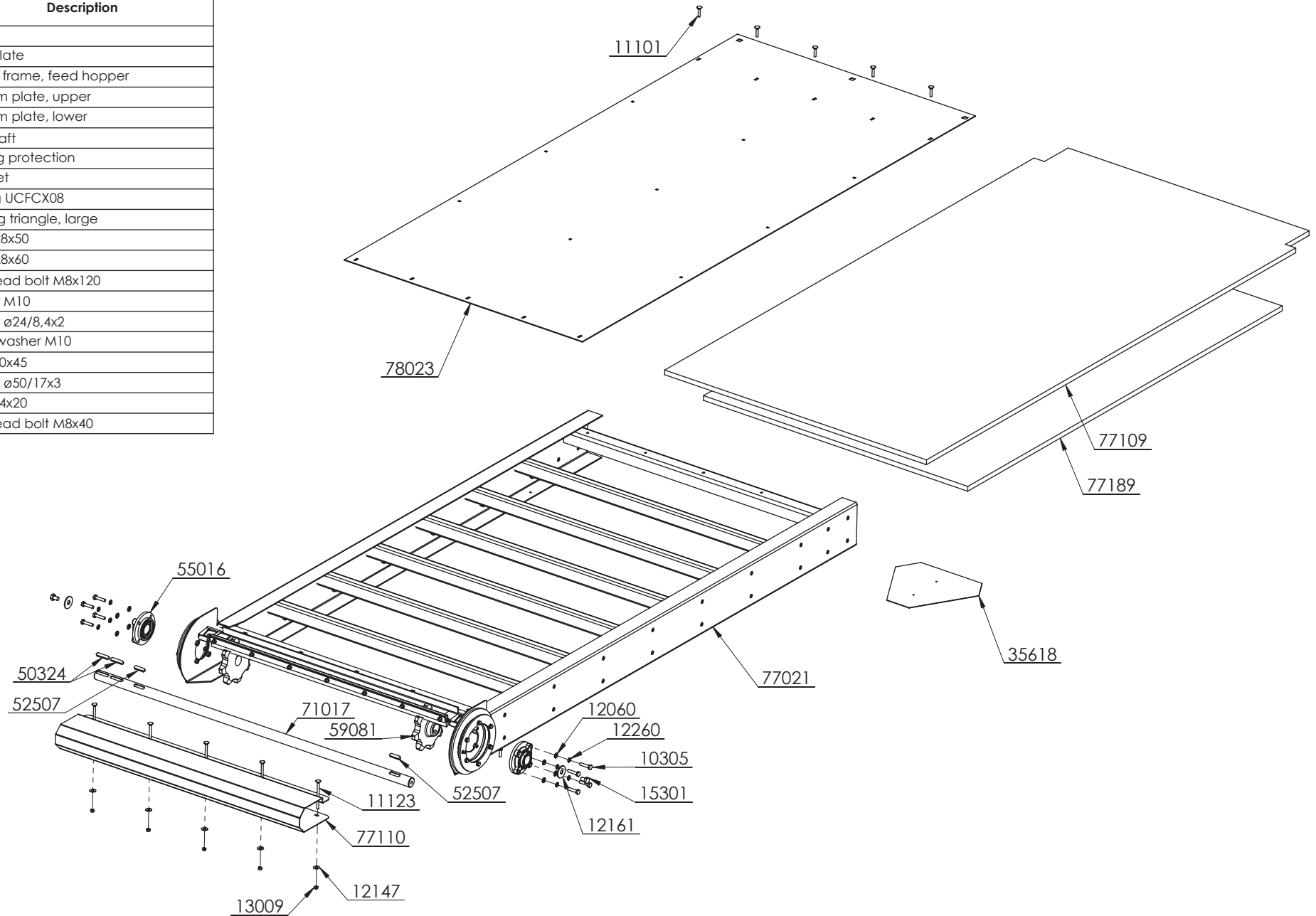
Part number	Qty	Description
10297	24	Bolt M10x25
79054	2	Hinge plate F10
82264	1	Reinforcing bracket, right, EVO
79636	1	Bracket, right telescopic leg
77116	1	Gear bracket
15202	2	Bolt M16x130, threaded to head
77106	3	U-profile 1, cover
59086	1	Gir RT 200
59054	1	Motor BG100 NC25
14001	2	Grease nipple 1/8" R
13210	81	Lock nut M10
13213	4	Lock nut M16
12067	45	Washer M12
12060	162	Washer M10
10303	32	Bolt M10x40
12267	36	Spring washer M12
10348	20	Bolt M12x30
10352	16	Bolt M12x40
12047	35	Washer M8
12247	16	Spring washer M8
10244	12	Bolt M8x20
12161	4	Washer ø50/17x3
15301	4	Bolt M14x20
12078	4	Washer M16
13013	2	Nut M16
82086	1	Side cover, right, F10 EVO
77105	1	U-profile 2, cover
74732	2	Locking plate

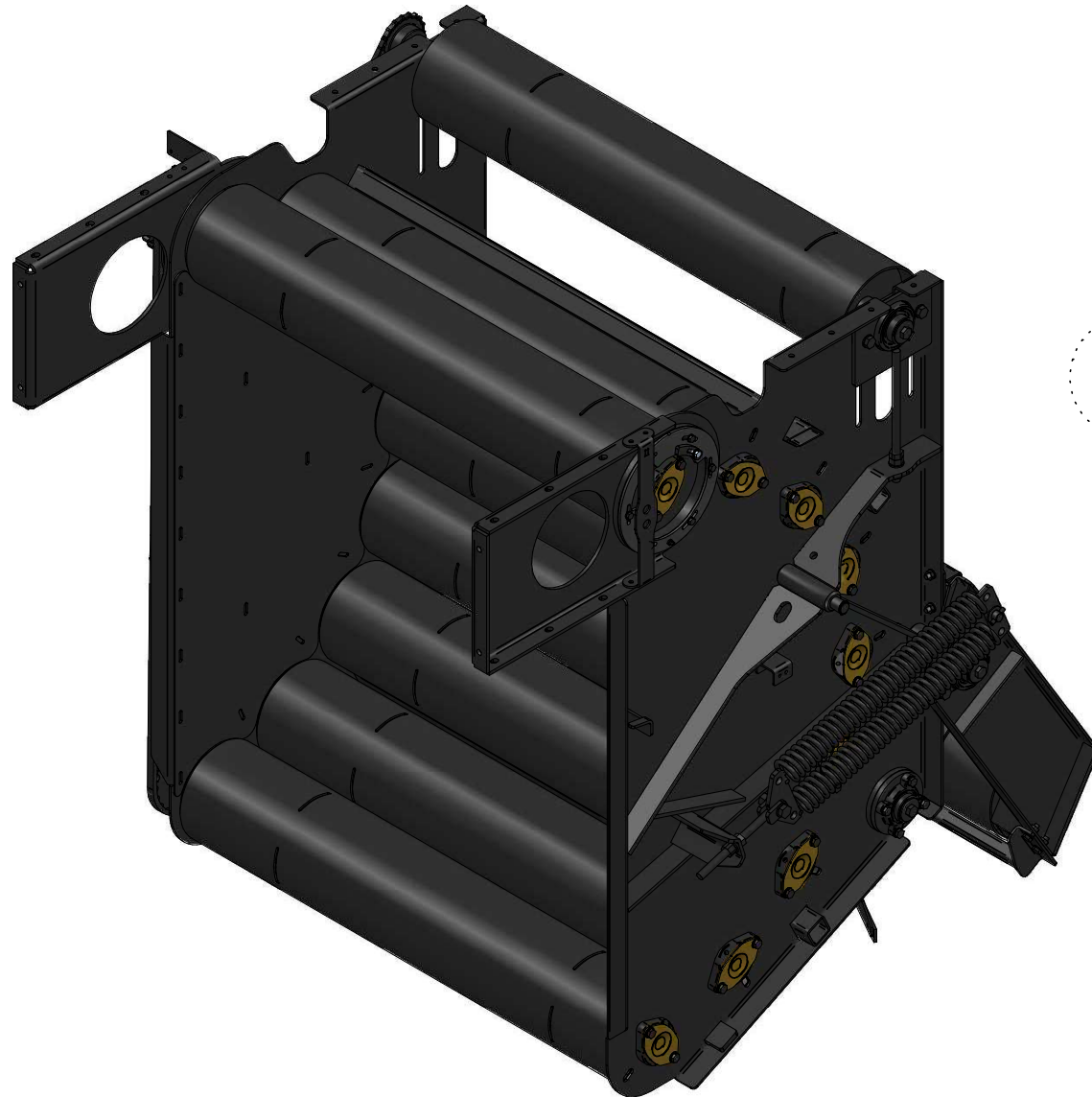


Part number	Qty	Description
10248	4	Bolt M8x30
10250	7	Bolt M8x35
10348	20	Bolt M12x30
10507	2	Bolt M16x150, threaded to head
12047	35	Washer M8
12060	162	Washer M10
12161	4	Washer $\varnothing 50/17 \times 3$
12178	8	Washer $\varnothing 37/13 \times 3$
12260	16	Spring washer M10
12267	36	Spring washer M12
13209	9	Lock nut M8
13213	4	Lock nut M16
15301	4	Bolt M14x20
50015	142	Chain link Kohlsua Ewart 78
52507	3	Key 12x8x50
55016	4	Bearing UCFCX08
59081	4	Sprocket
59316	1	Rubber list
77016	1	Shaft, tightening side
77119	17	Carrier
77355	1	Clamp strip, carrier
77407	1	Carrier with holes for scraper
77516	1	Tightener, right bottom
77517	1	Tightener, left bottom
79844	2	Chain link Kohlsua Ewart 78, modified
79845	2	Chain link plate

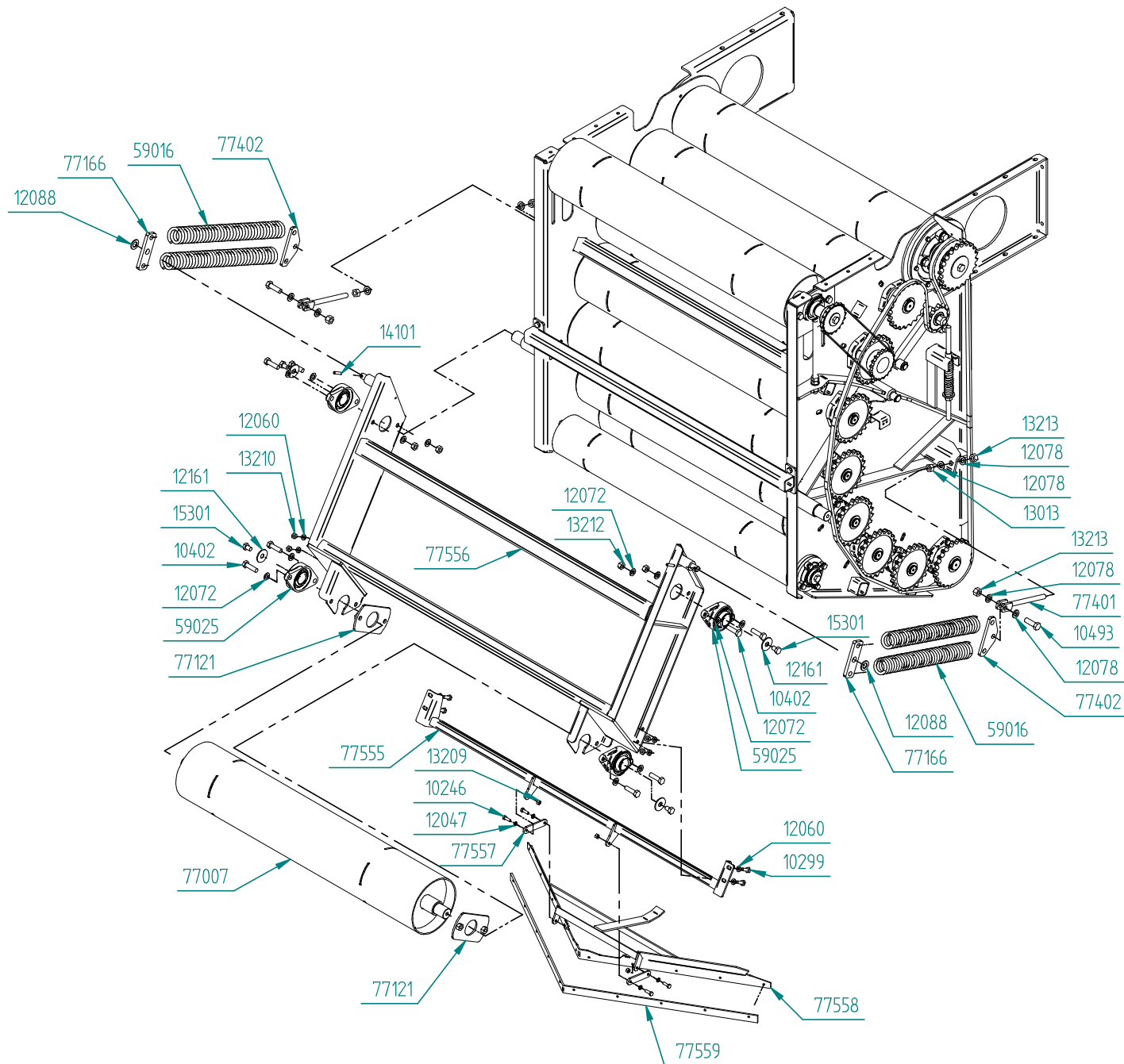


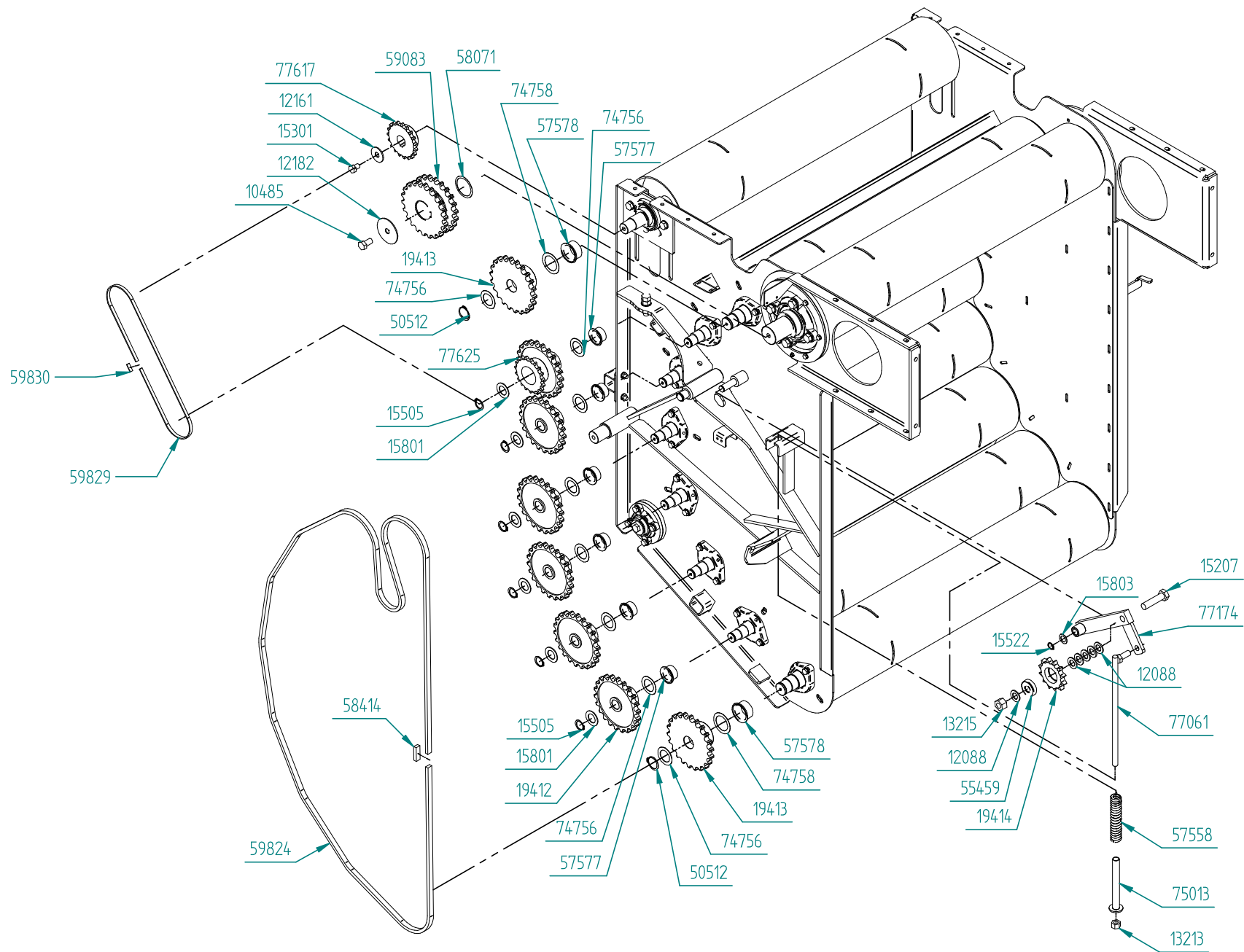
Part number	Qty	Description
13009	5	Nut M8
78023	1	Wear plate
77021	1	Bottom frame, feed hopper
77109	1	Visaform plate, upper
77189	1	Visaform plate, lower
77017	1	Driveshaft
77110	1	Winding protection
59081	4	Sprocket
55016	4	Bearing UCFCX08
35618	1	Warning triangle, large
52507	3	Key 12x8x50
50324	2	Key 12x8x60
11123	5	Lock head bolt M8x120
12060	162	Washer M10
12147	9	Washer $\varnothing 24/8,4 \times 2$
12260	16	Spring washer M10
10305	16	Bolt M10x45
12161	4	Washer $\varnothing 50/17 \times 3$
15301	4	Bolt M14x20
11101	5	Lock head bolt M8x40

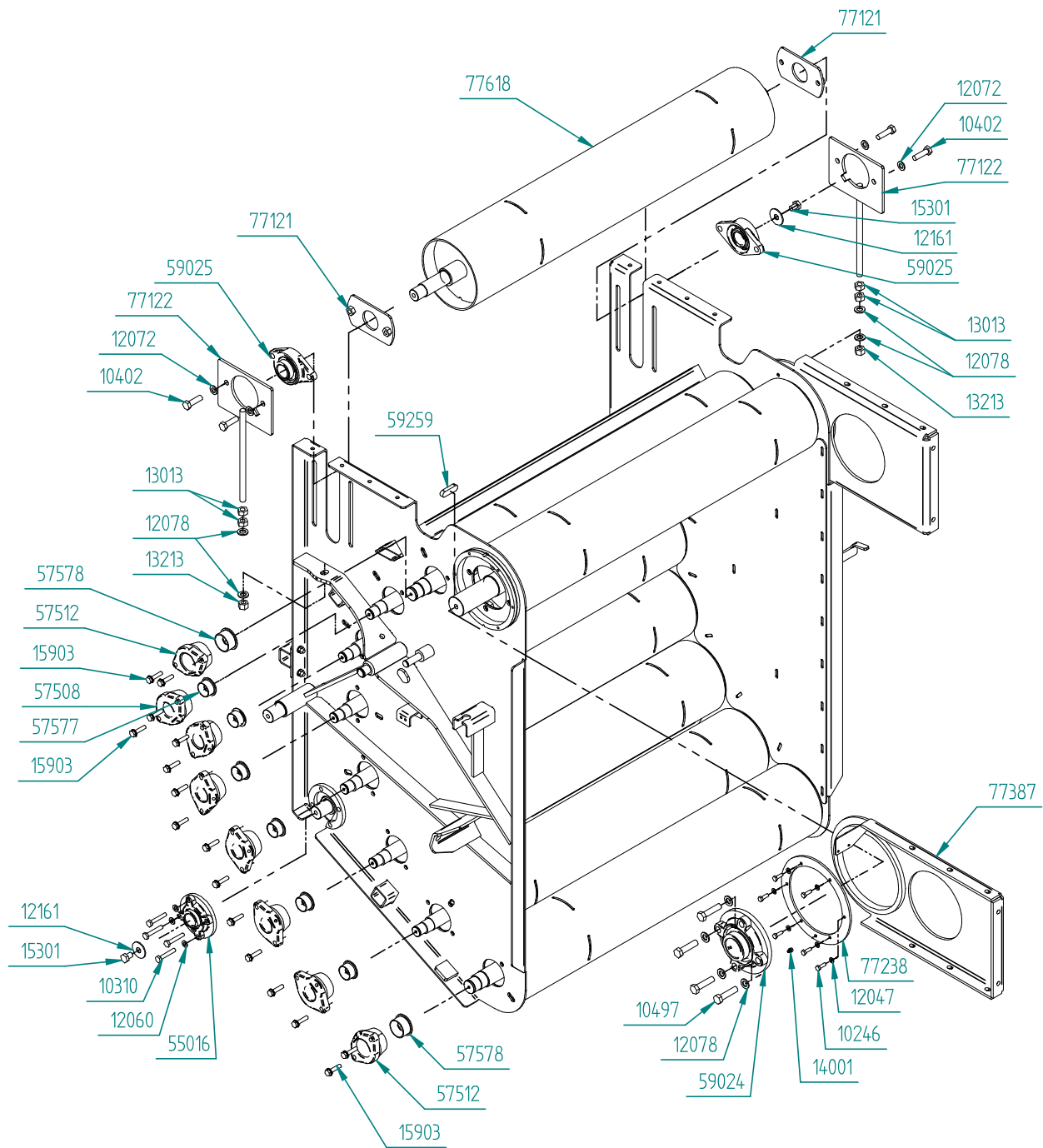


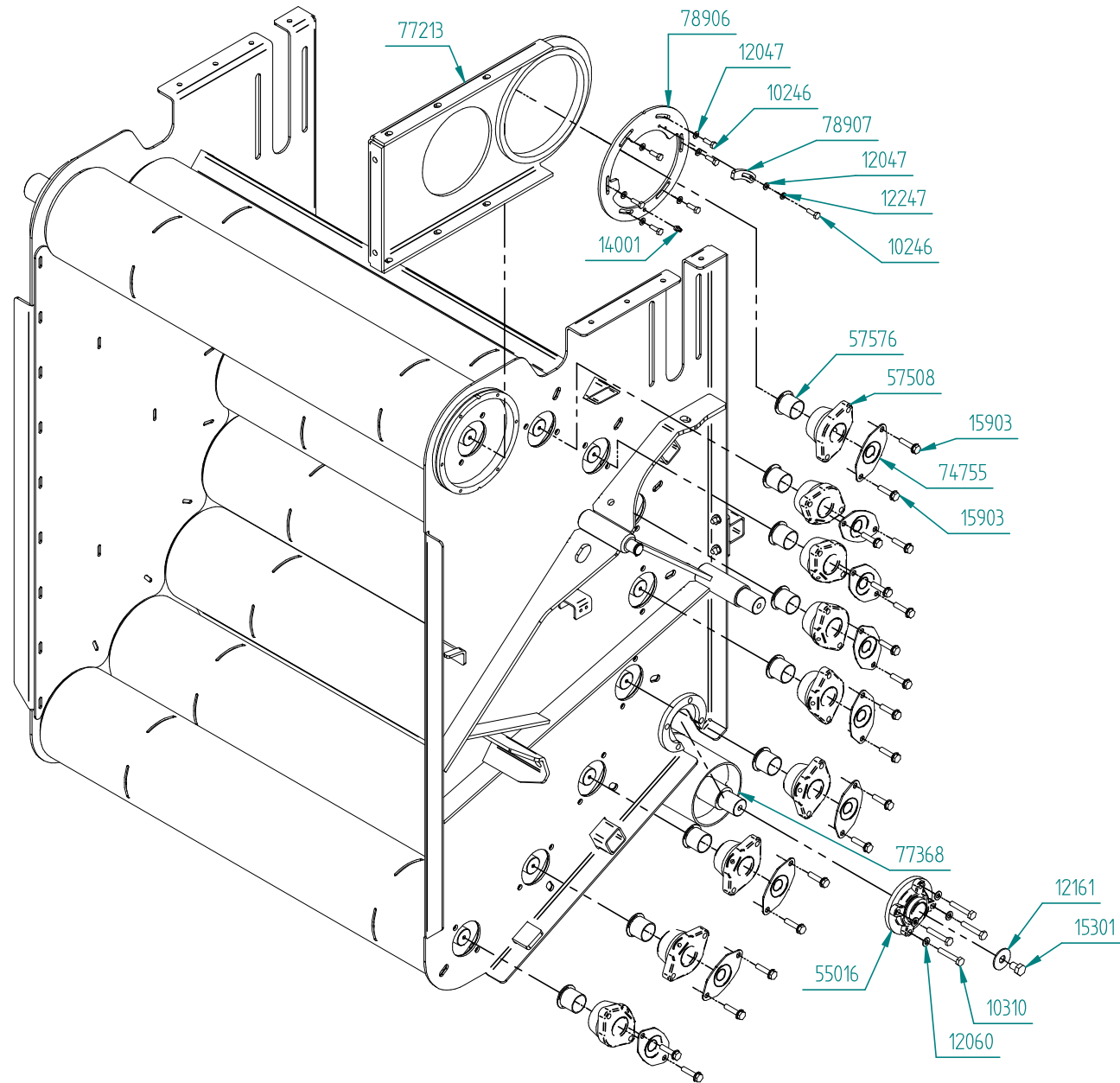


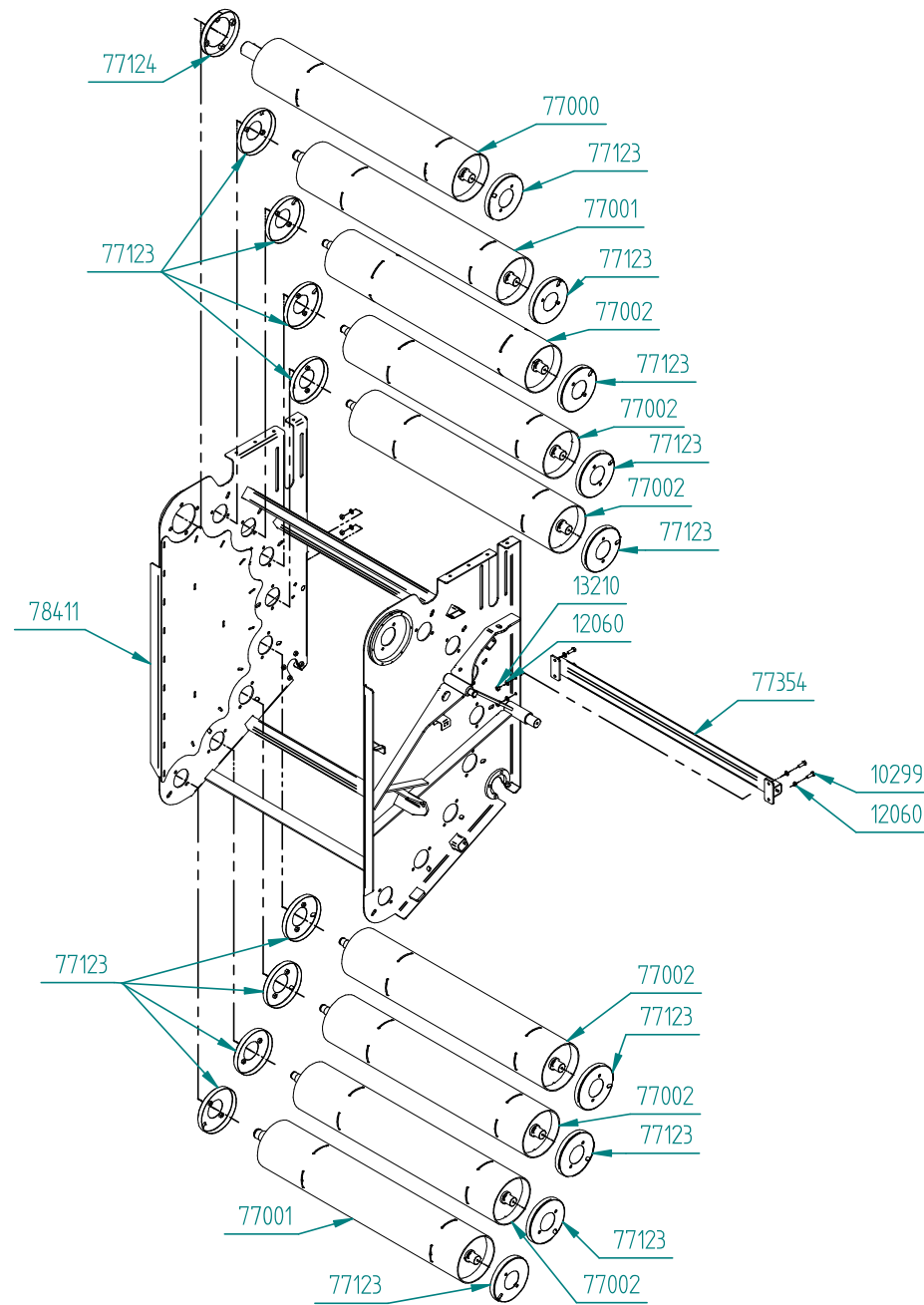
78412









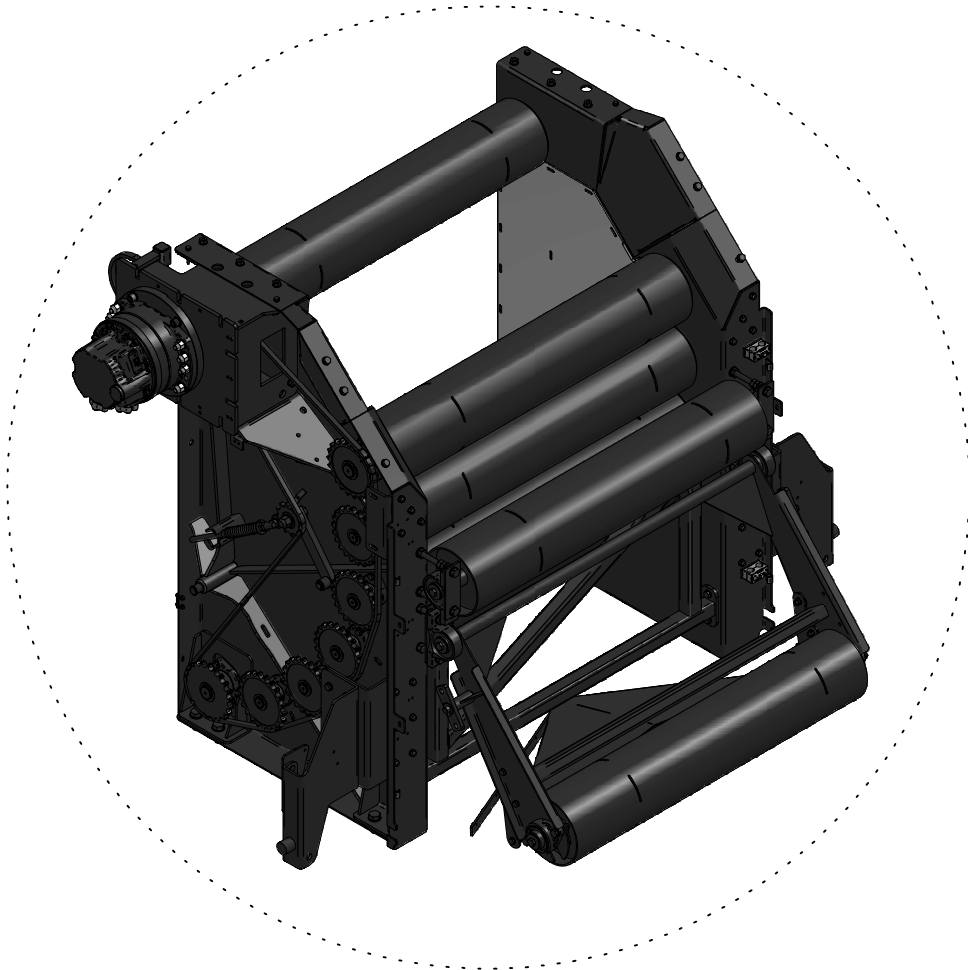


Part Number	Qty.	Title
10246	28	Bolt M8x25
10299	8	Bolt M10x30
10310	8	Bolt M10x60
10402	12	Bolt M14x50
10485	1	Bolt M16x30, threaded to head
10493	2	Bolt M16x50
10497	7	Bolt M16x65
12047	28	Washer M8
12060	24	Washer M10
12072	27	Washer M14
12078	19	Washer M16
12088	9	Washer M20
12161	8	Washer ϕ 50/17x3
12182	1	Washer ϕ 85/17x3
12247	1	Spring washer M8
13013	6	Nut M16
13209	4	Lock nut M8
13210	8	Lock nut M10
13212	4	Lock nut M14
13213	7	Lock nut M16
13215	1	Lock nut M20
14001	2	Grease nipple 1/8" R
14101	2	Splint ϕ 8x40
15207	1	Bolt M20x80, threaded to head

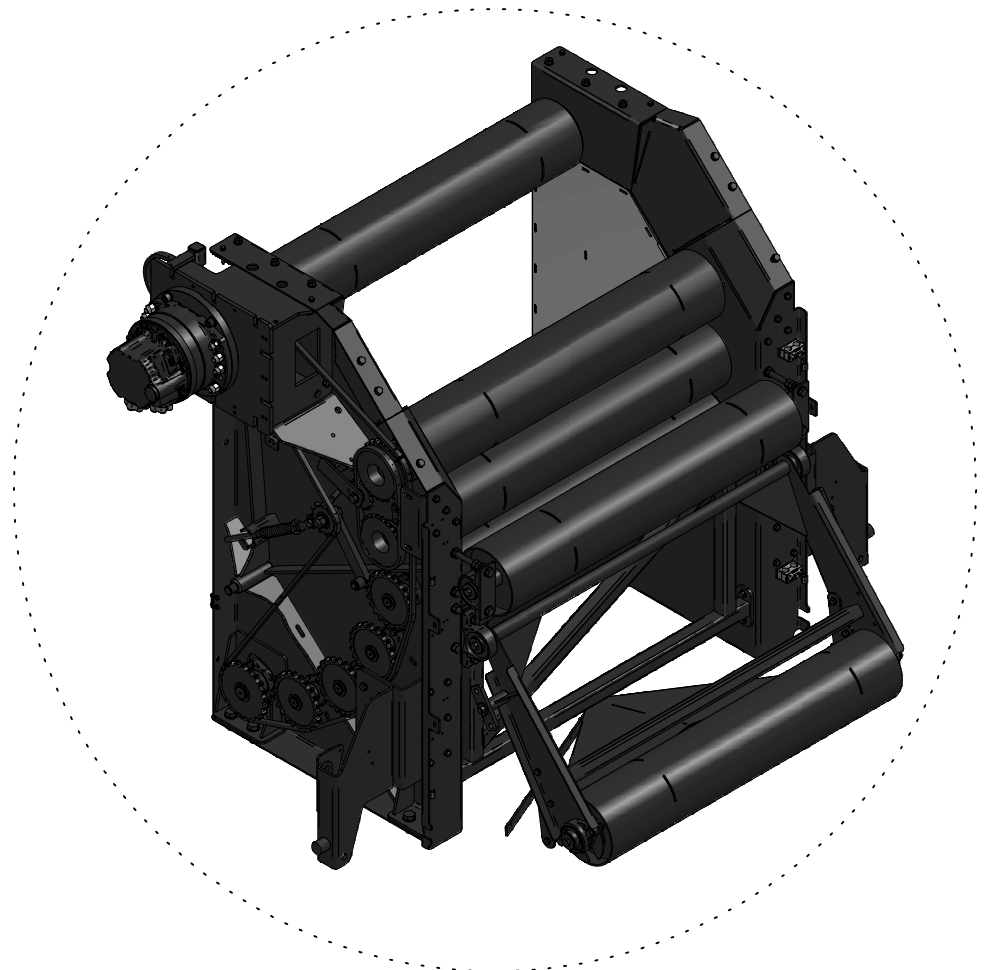
Part Number	Qty.	Title
15301	8	Bolt M14x20
15501	2	Circlip A25x1,2
15505	6	Circlip A30x1,5
15522	1	Circlip A20x1,75
15801	6	Washer ϕ 50/30x2
15803	1	Washer ϕ 20/32x1
15903	34	Bolt M10x45
19412	5	Sprocket
19413	2	Sprocket
19414	1	Sprocket
50512	2	Circlip A40x1,75
55016	2	Bearing UCFCX08
55459	1	Bearing 6304 2RS
57508	15	Bearing housing ϕ 44 invv.
57512	2	Bearing housing ϕ 55 invv.
57558	1	Spring, chain tightener
57576	9	Plain bearing ϕ 40/44x55x40
57577	12	Plain bearing ϕ 40/44x55x25
57578	4	Plain bearing ϕ 50/55x65x30
58071	1	Shims
58414	1	Chain lock 1"
59016	4	Spring
59024	1	Bearing UCFC212
59025	6	Bearing UCFL208

Part Number	Qty.	Title
59083	1	Flexible coupling, inner sprocket, double
59259	1	Key 18x11x60
59824	1	Chain, chamber 1"
59829	1	Chain 3/4"
59830	1	Chain lock 3/4"
74755	9	Bearing housing cover
74756	8	Shim ϕ 60/40x1
74758	2	Washer ϕ 70/50x1
75013	1	Protection tube chain tightener
77000	1	Roller 16 and 17
77001	2	Roller 1, 7, 8 and 15
77002	6	Roller 1-4, 6, 9-14
77007	1	Tightening roller 1
77061	1	Chain tightener
77121	4	Nut plate, tightener front
77122	2	Tightening mechanism
77123	17	Winding protection
77124	1	Winding protection 2
77166	2	Spring fastener, belt tightener
77174	1	Chain tightener, front
77213	1	Hinge plate right
77238	1	Locking hinge ring
77354	1	Stiffening tube
77368	1	Tightening roller, small dia.

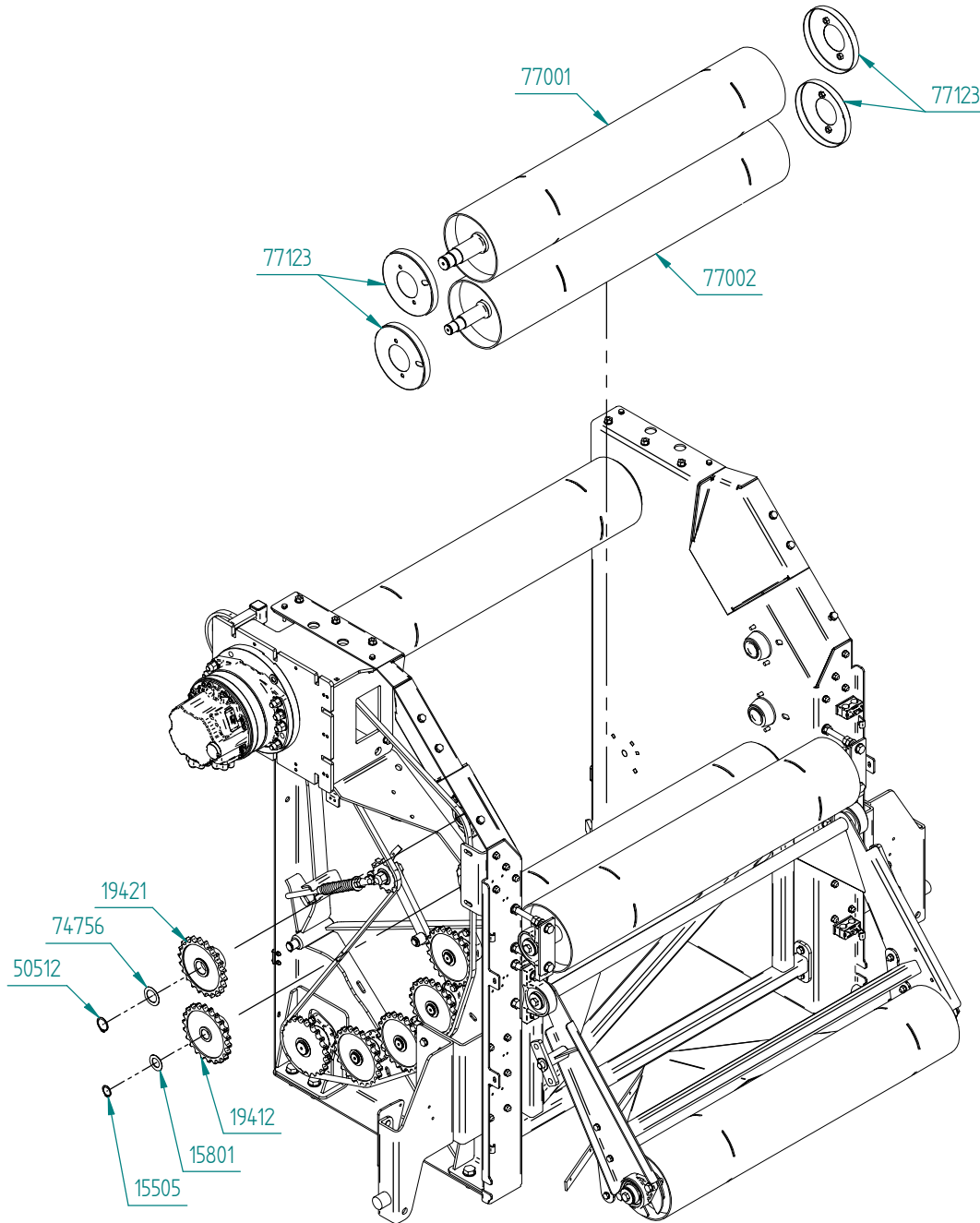
Part Number	Qty.	Title
77387	1	Hinge plate left
77401	2	Tightening rod, springs, belt tightener
77402	2	Chain link, spring fastener
77555	1	Scraper suspension, front
77556	1	Belt tightener, front
77557	2	Scraper link
77558	1	Scraper, front
77559	1	Scraper plastic, front
77617	1	Sprocket
77618	1	Tightening roller 1 with drive
77625	1	Sprocket, double drive, tightening roller
78411	1	Weldment parts, front chamber, industrial
78906	1	Segment for chamber sensor
78907	1	Bow, chamber sensor
79041	1	Sensor bracket chamber open



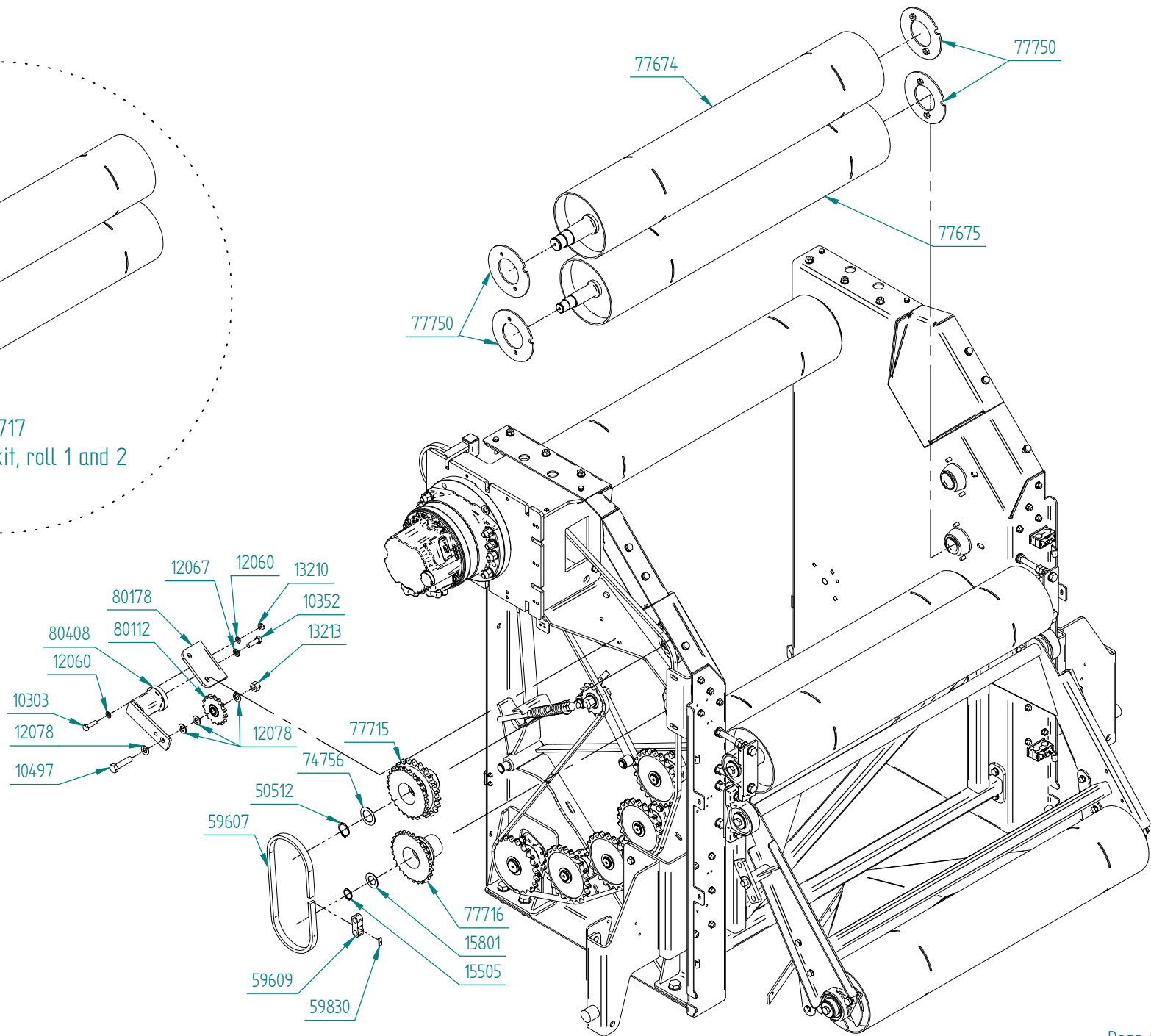
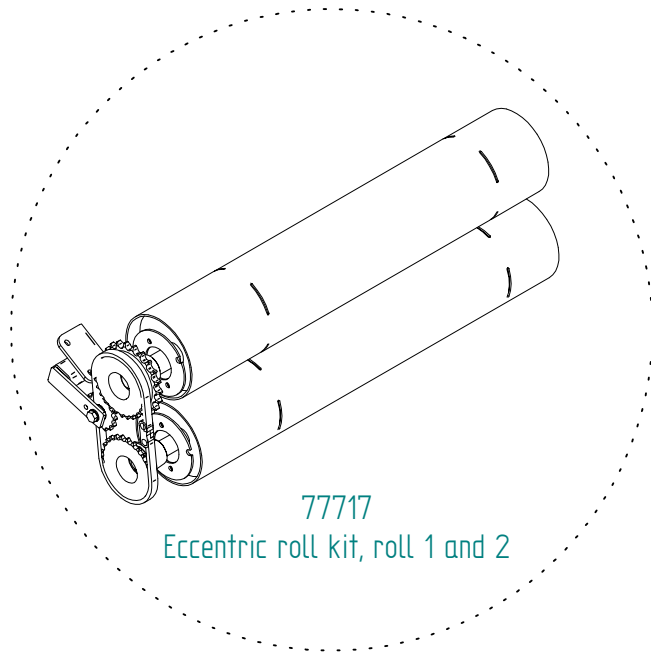
78859
Rear chamber with standard rollers



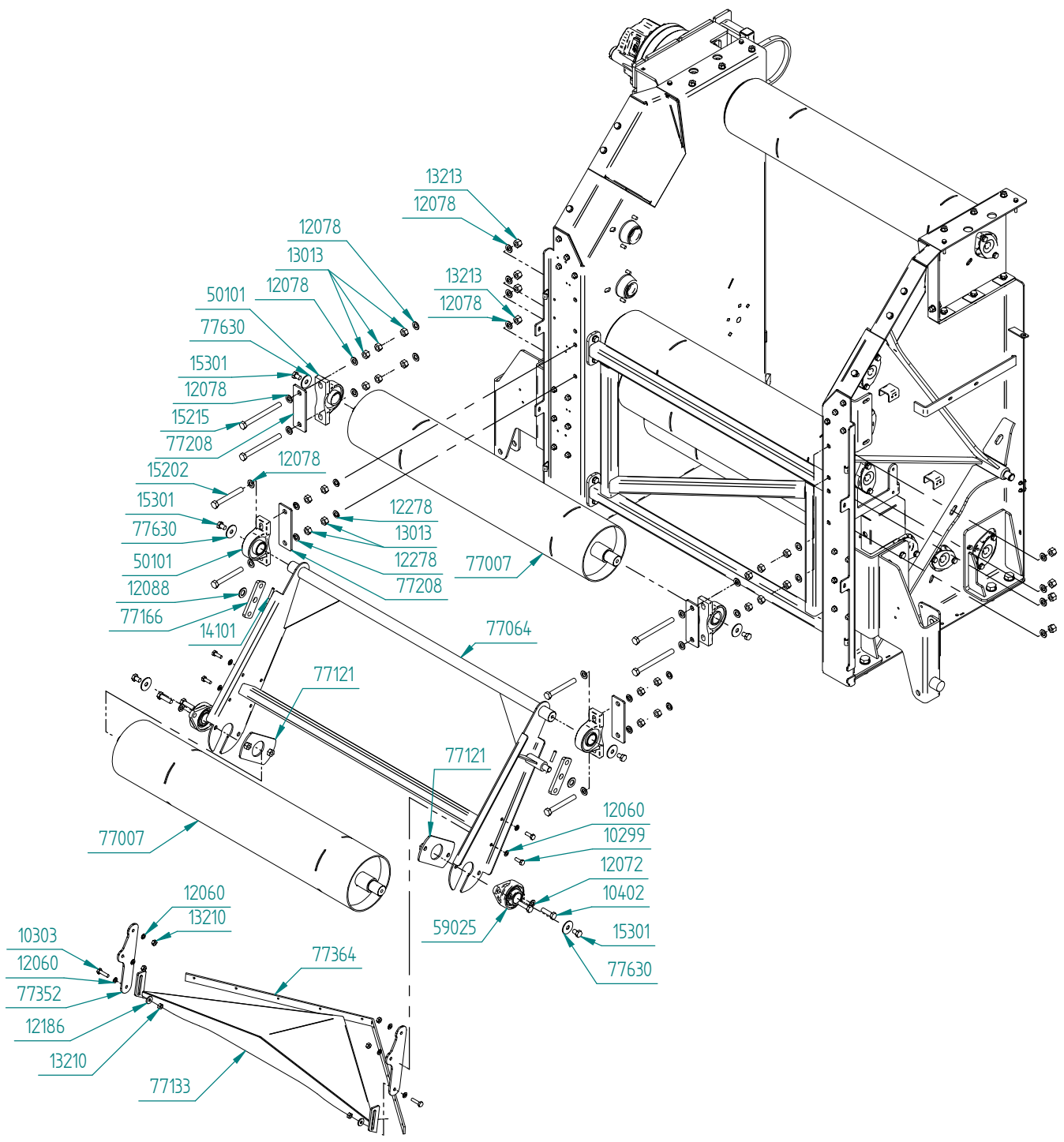
78969
Rear chamber with eccentric rollers

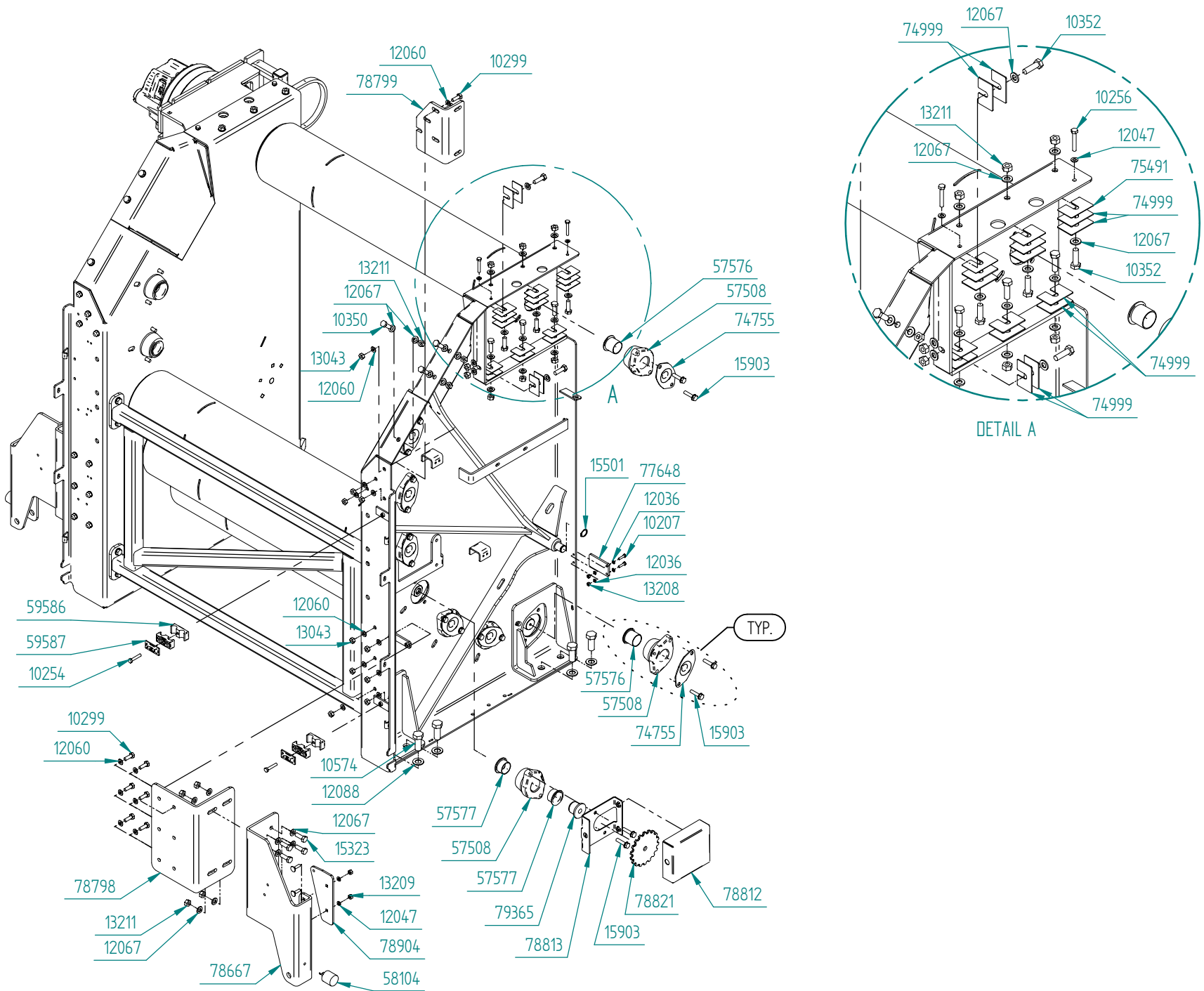


Standard rollers

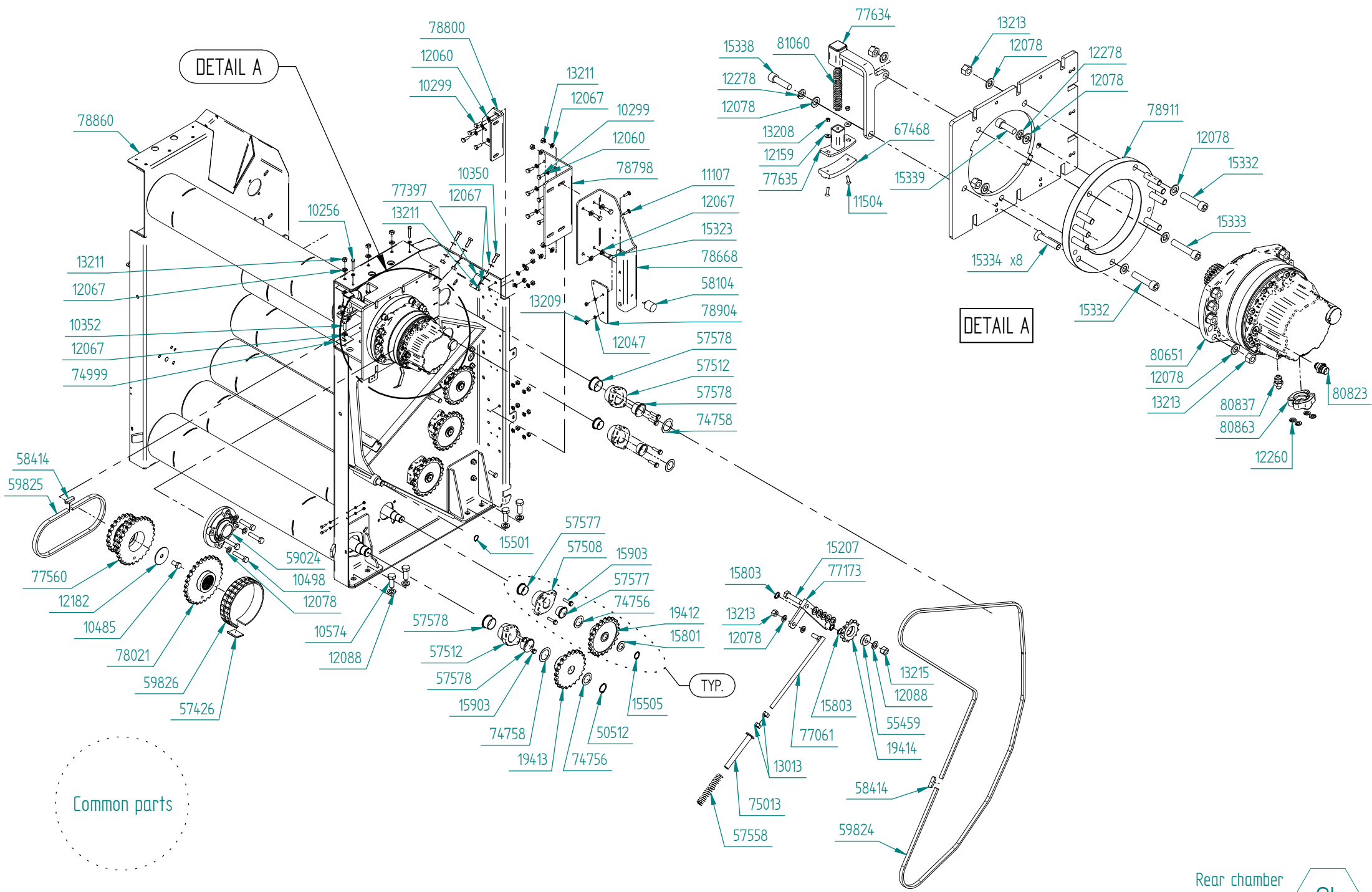


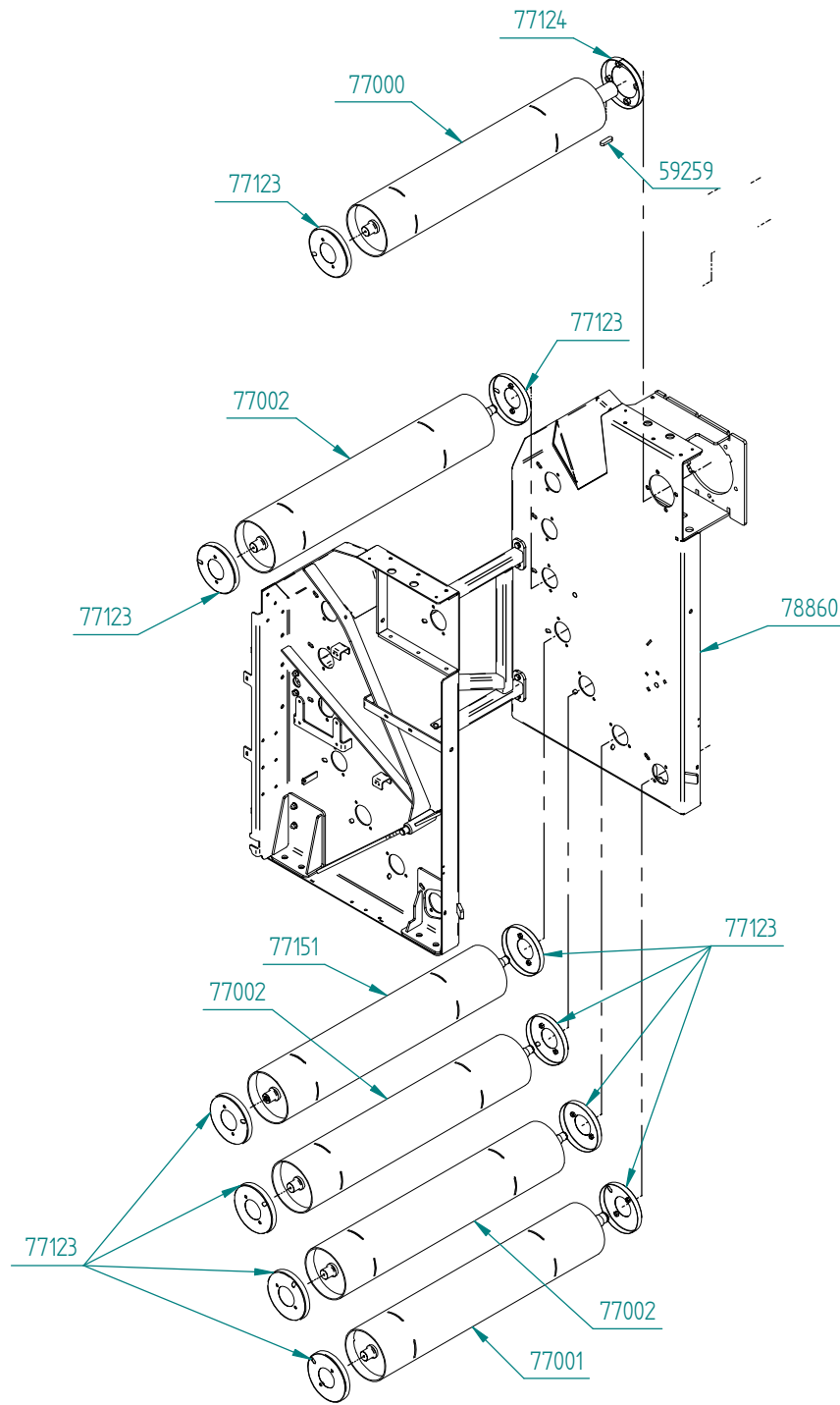
Common parts





Common parts





Common parts

Part Number	Qty.	Title
10207	4	Bolt M6x25, threaded to head
10254	2	Bolt M8x45
10256	4	Bolt M8x50
10299	24	Bolt M10x30
10303	4	Bolt M10x40
10350	6	Bolt M12x35
10352	32	Bolt M12x40
10402	4	Bolt M14x50
10485	1	Bolt M16x30, threaded to head
10497	4	Bolt M16x65
10498	4	Bolt M16x70
10499	2	Bolt M16x75
10574	8	Bolt M20x50
11107	4	Lock head bolt M8x30
11504	2	Countersunk bolt M6x20
12036	8	Washer M6
12047	8	Washer M8
12060	55	Washer M10
12067	91	Washer M12
12072	4	Washer M14
12078	52	Washer M16
12088	16	Washer M20
12159	2	Washer \varnothing 18/6,4
12182	1	Washer \varnothing 85/17x3

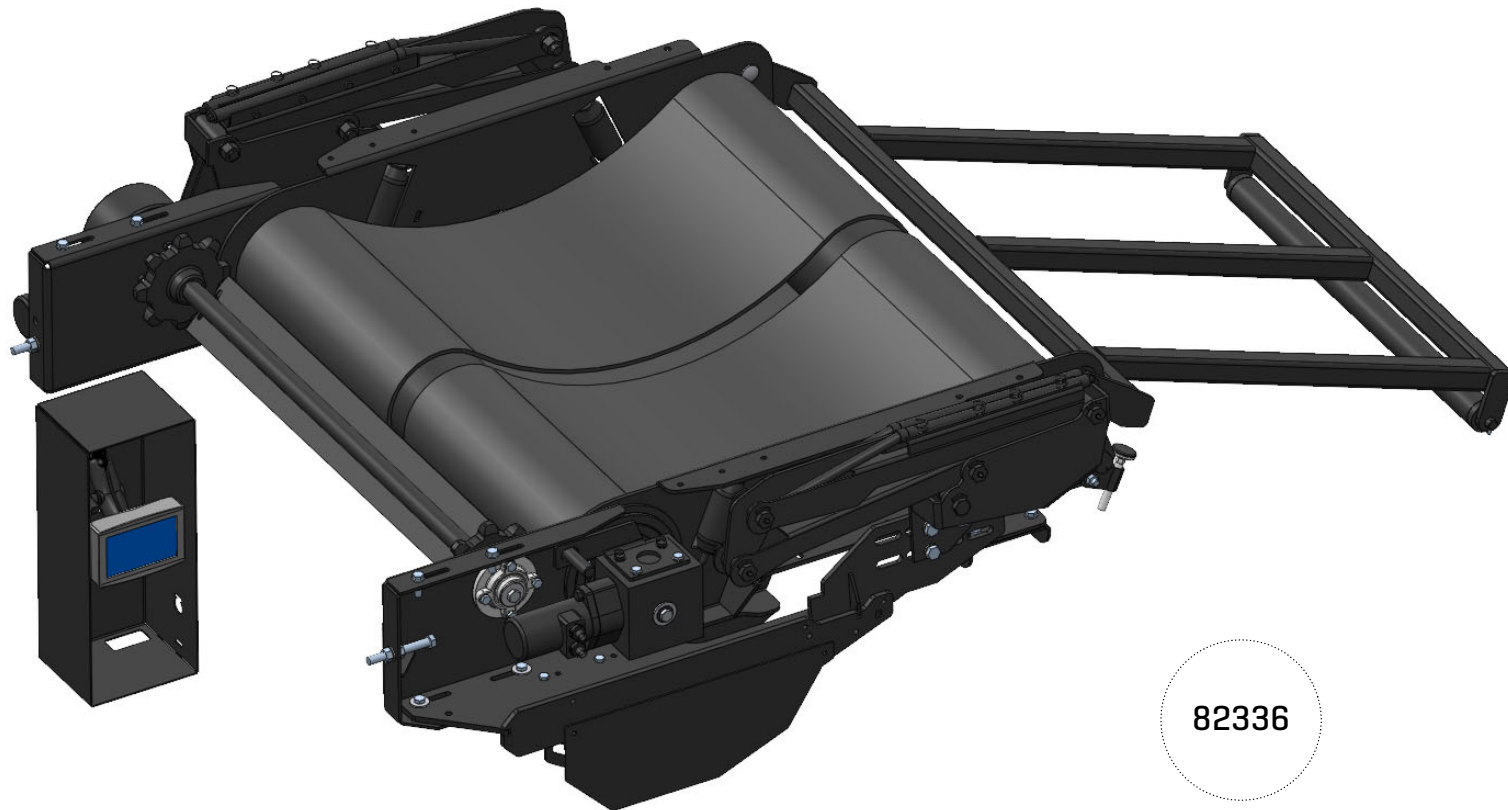
Part Number	Qty.	Title
12186	5	Washer \varnothing 30/11x2,5
12260	8	Spring washer M10
12278	8	Spring washer M16
13013	22	Nut M16
13043	20	Lock nut M10
13208	6	Lock nut M6
13209	4	Lock nut M8
13210	8	Lock nut M10
13211	45	Lock nut M12
13213	23	Lock nut M16
13215	1	Lock nut M20
14101	2	Splint \varnothing 8x40
15202	4	Bolt M16x130, threaded to head
15207	1	Bolt M20x80, threaded to head
15215	4	Bolt M16x180, threaded to head
15301	6	Bolt M14x20
15323	8	Bolt M12x35
15334	8	Countersunk bolt M16x80
15501	2	Circlip A25x1,2
15505	6	Circlip A30x1,5
15522	1	Circlip A20x1,75
15801	6	Washer \varnothing 50/30x2
15803	2	Washer \varnothing 20/32x1
15903	30	Bolt M10x45

Part Number	Qty.	Title
19412	5	Sprocket
19413	1	Sprocket
19414	1	Sprocket
19421	1	Sprocket
50101	4	Bearing UCP208
50512	3	Circlip A40x1,75
55459	1	Bearing 6304 2RS
57426	1	Chain duplex, lock
57508	13	Bearing housing \varnothing 44 innv.
57512	2	Bearing housing \varnothing 55 innv.
57558	1	Spring, chain tightener
57576	7	Plain bearing \varnothing 40/44x55x40
57577	12	Plain bearing \varnothing 40/44x55x25
57578	4	Plain bearing \varnothing 50/55x65x30
58104	2	Rubber buffer, complete
58414	2	Chain lock 1"
59024	1	Bearing UCFC212
59025	2	Bearing UCFL208
59259	1	Key 18x11x60
59586	2	Pipe clamp double 22 mm
59587	2	Top plate for double clamp 20-25
59607	1	Chain, eccentric, 3/4"
59609	1	Chain half link 3/4"
59824	1	Chain, chamber 1"

Part Number	Qty.	Title
59825	1	Chain, between chambers 1"
59826	1	Chain duplex 1"
59830	1	Chain lock 3/4"
67468	1	Wearing plastic, chain tightener, short chain
74755	7	Bearing housing cover
74756	8	Shim ϕ 60/40x1
74758	2	Washer ϕ 70/50x1
74767	1	Endpiece for count bolt
74999	16	Shims 70x45x2
75013	1	Protection tube chain tightener
77000	1	Roller 16 and 17
77001	2	Roller 1, 7, 8 and 15
77002	4	Roller 1-4, 6, 9-14
77007	2	Tightening roller 1
77061	1	Chain tightener
77064	1	Belt tightener, rear
77121	2	Nut plate, tightener front
77123	15	Winding protection
77124	1	Winding protection 2
77133	1	Scraper plow, rear
77151	1	Roller 5
77166	2	Spring fastener, belt tightener
77173	1	Chain tightener, rear
77208	4	Feeding plate, tightening bearing

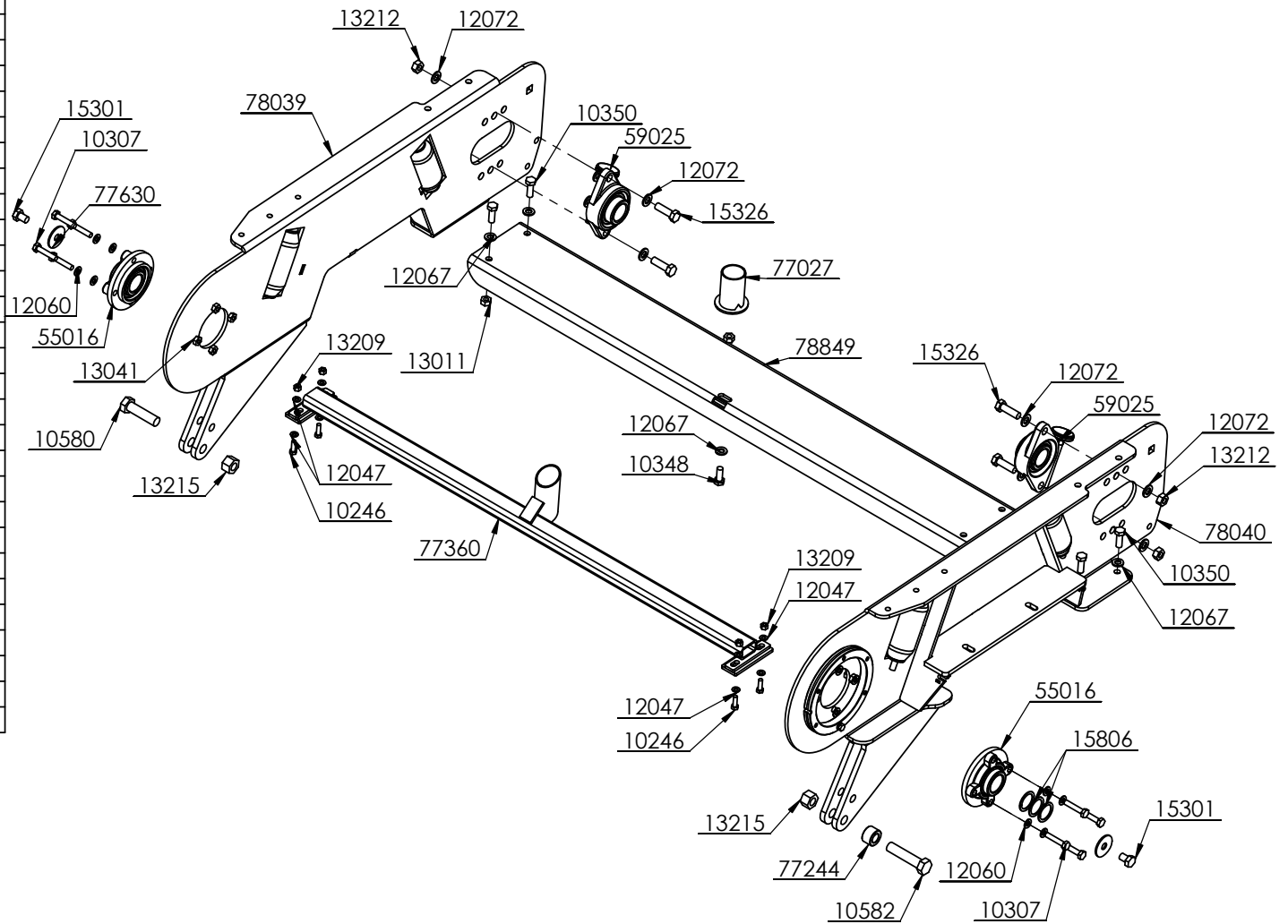
Part Number	Qty.	Title
77352	2	Scraper fastener, rear
77364	1	Wearing plastic, scraper, rear
77397	1	Bracket, chain lubrication
77560	1	Flexible coupling, inner
77565	1	Spring tightener, short chain
77630	6	Washer ϕ 50/15x3
77634	1	Chain tightener, short chain
77635	1	Chain tightener, glider
77648	2	Shims, chamber opening, 6mm
77674	1	Roller 1, eccentric
77675	1	Roller 2, eccentric
77715	1	Sprocket, eccentric roller 1
77716	1	Sprocket, eccentric roller 2
77750	4	Nut plate, eccentric roller
78021	1	Flexible coupling, outer part
78667	1	Film storage mount, right rear
78668	1	Film storage mount, left rear
78798	2	Plastic storage, bracket
78799	1	Bracket, side cover, right
78800	1	Bracket, side cover, right
78812	1	Counting wheel cover
78813	1	Sensor mount
78821	1	Counting wheel, chamber
78860	1	Rear chamber, weldment parts

Part Number	Qty.	Title
78904	2	Gas spring bracket RB LF LB
78905	1	Bracket for sensor, end dampening
78911	1	Adaptor for chamber motor
80112	1	Sprocket
80178	1	Chain tensioner mount
80408	1	Chain tightener SE27, modified
80651	1	Chamber motor, High flow
80823	1	Fitting 1/4"-1/4"
80837	1	Fitting 1/4"-1/4"
80863	2	SAE-flange 3/4" 6000 psi

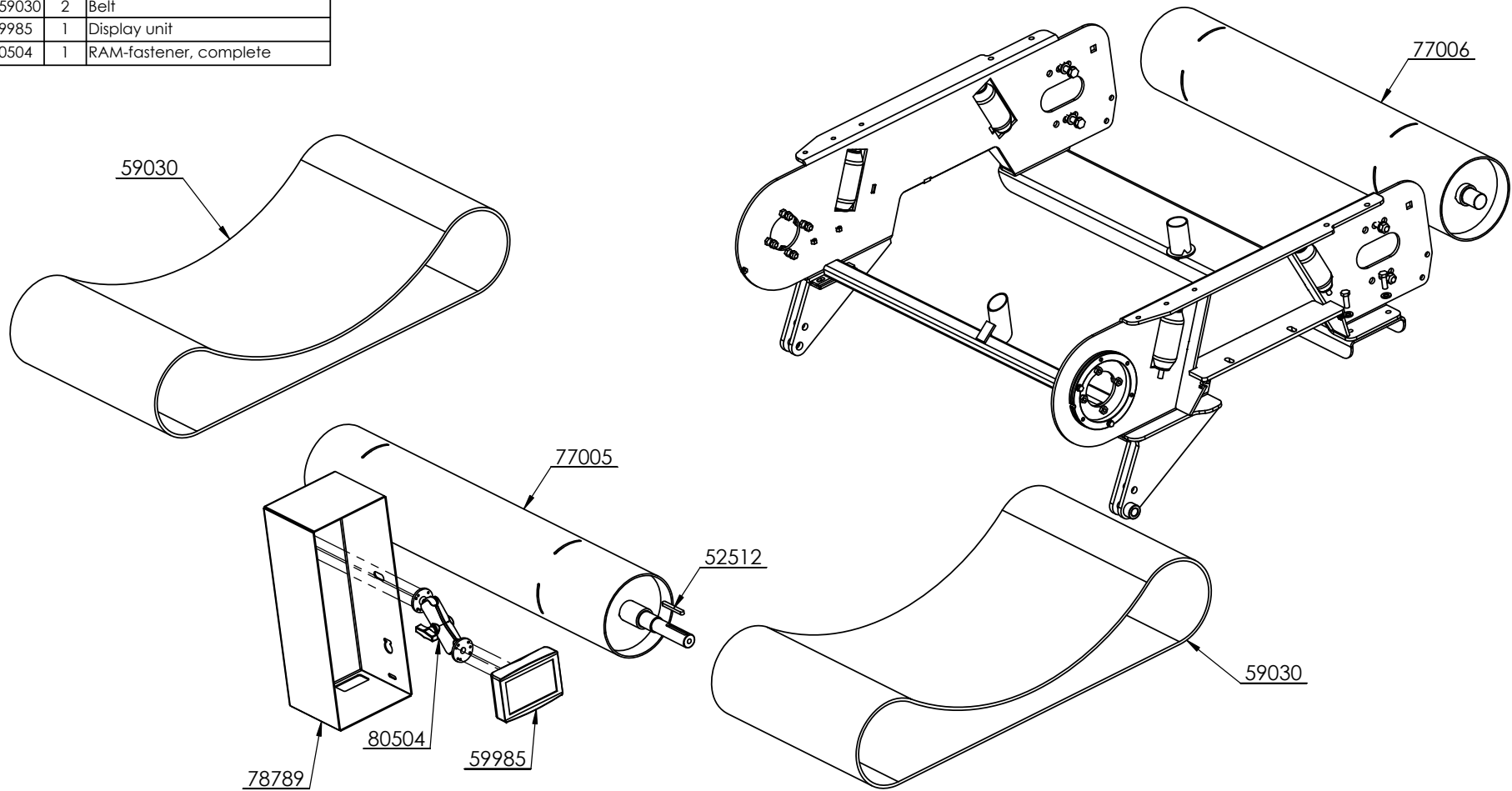


82336

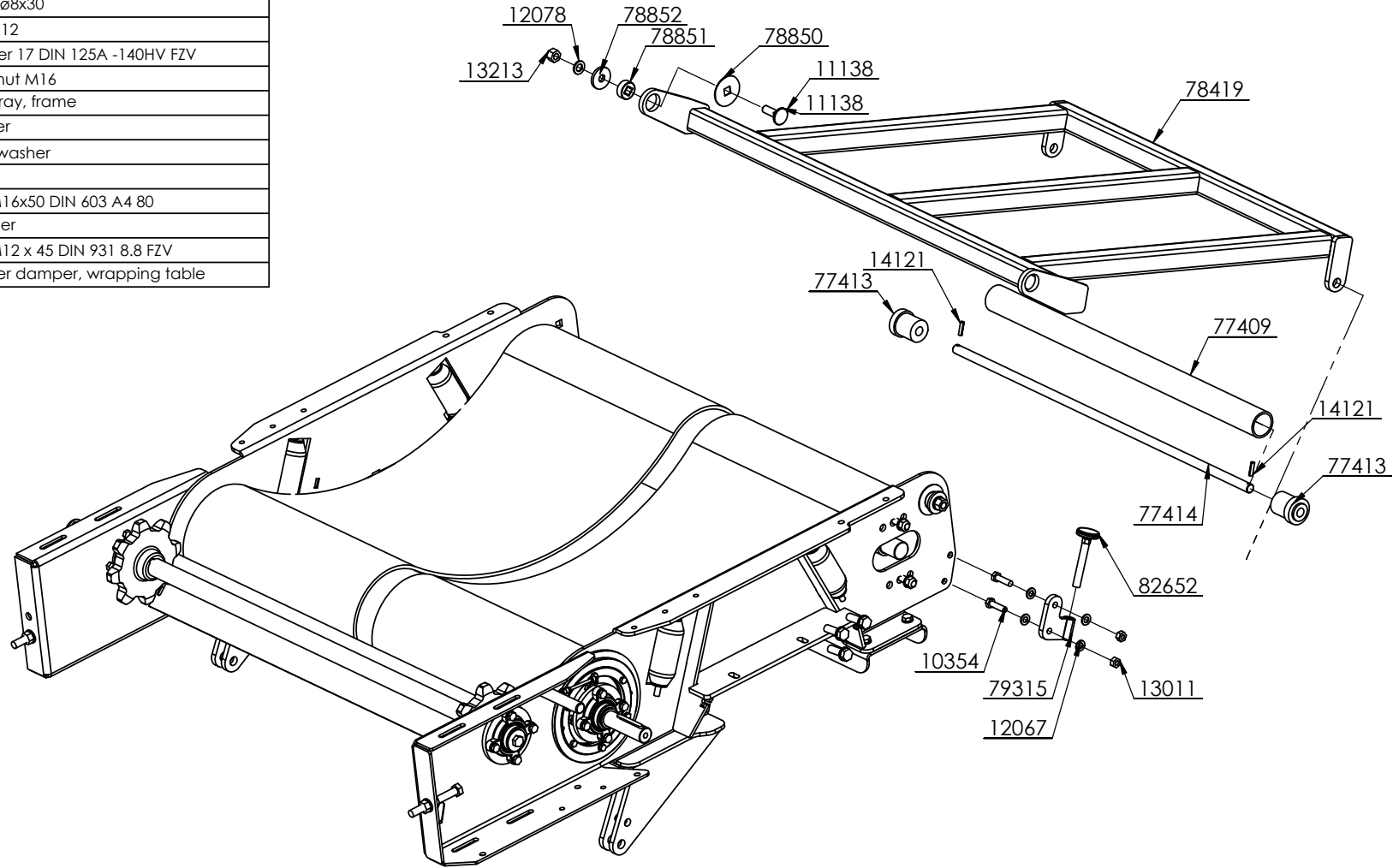
Part number	Qty	Description
78849	1	Crossbar
78040	1	Side plate, right wrapping table
78039	1	Side plate, left wrapping table
77360	1	Belt guide
77027	1	Belt guide, wrapper
13040	2	Weld Nut M8 DIN 929
10246	4	Bolt M8 x 25 DIN 933 8.8 FZV
13215	5	Lock nut M20
12047	2	Washer 8,4 DIN 125A -140HV FZV
12067	2	Washer 13 DIN 125A -140HV FZV
10350	2	Bolt M12x35
55016	2	Bearing UCFCX08
77244	1	Spacer, ultrasound sensor
13209	6	Lock nut M8
10348	1	Bolt M12 x 30 DIN 933 8.8 FZV
77630	4	Washer ø50/15x3
15301	4	Bolt M14x20
13011	8	Nut M12
10582	1	Bolt M20 x 90 DIN 931 8.8 FZV
82652	2	Rubber damper, wrapping table
59025	2	Bearing UCFL208
15326	4	Bolt M14x45
15806	3	Washer ø35/45x2
12060	18	Washer 10,5 DIN 125A -140HV FZV
10307	8	Bolt M10 x 50 DIN 931 8.8 FZV
12072	8	Washer 15 DIN 125A -140HV FZV
13212	4	Lock nut M14
13210	8	Lock nut M10



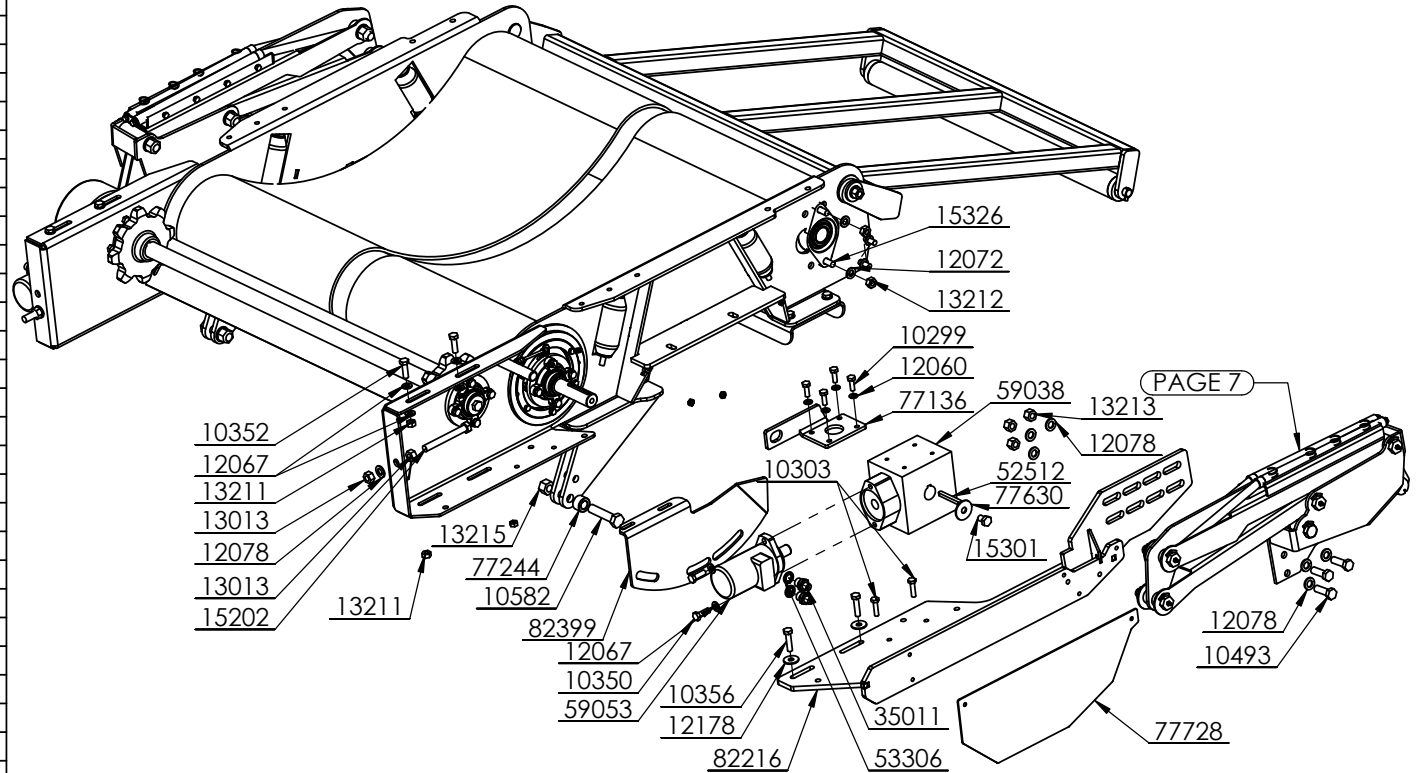
Part number	Qty	Description
77005	1	Roller 1
77006	1	Roller 2
52512	1	Key 10x8x80
78789	1	Cover Display
59030	2	Belt
59985	1	Display unit
80504	1	RAM-fastener, complete



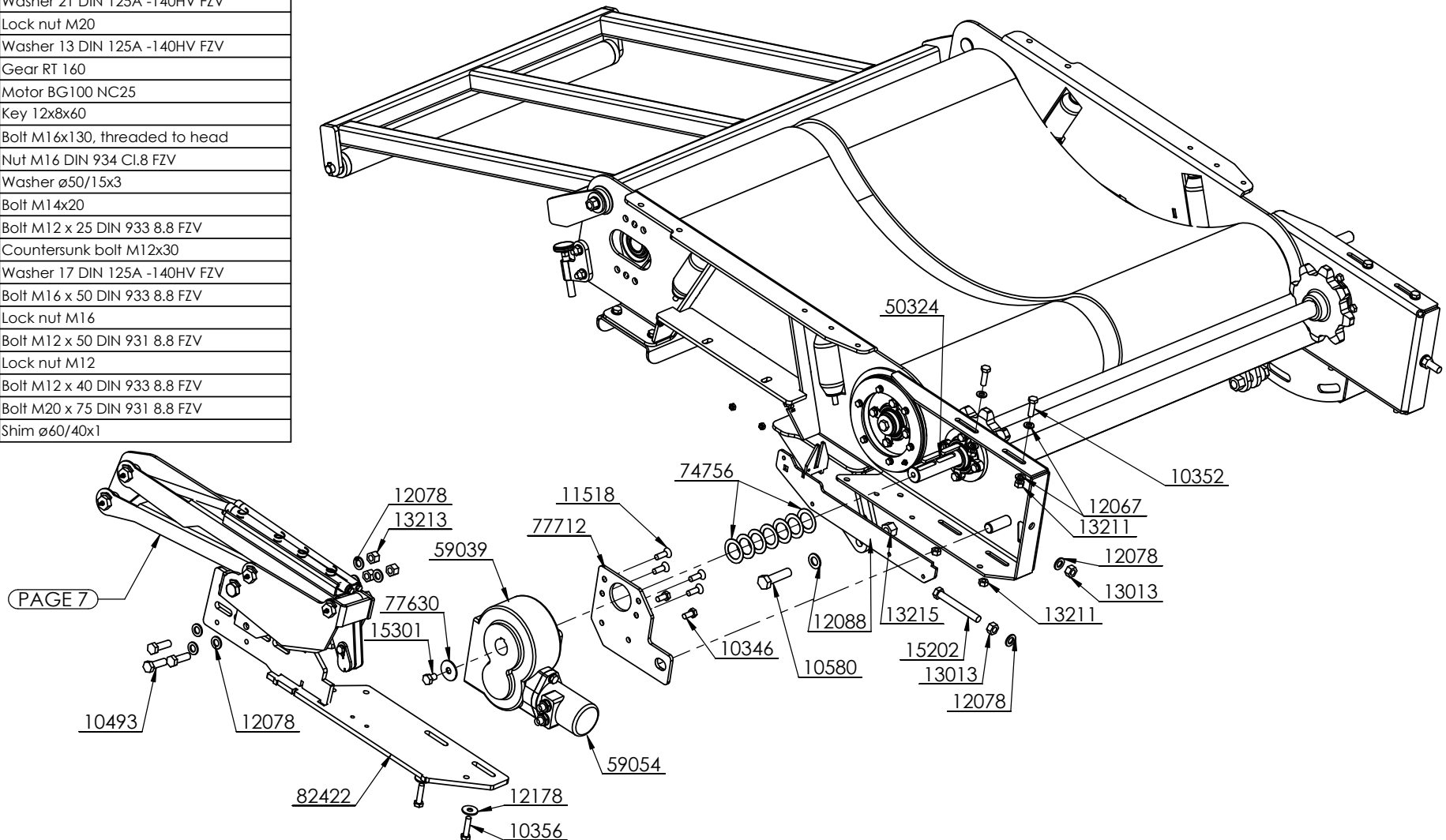
Part number	Qty	Description
77409	1	Bale tray, roller tube
77413	2	Bale tray, roller bushing
77414	1	Bale tray, roller, shaft
12067	21	Washer 13 DIN 125A -140HV FZV
14121	2	Splint $\varnothing 8 \times 30$
13011	8	Nut M12
12078	18	Washer 17 DIN 125A -140HV FZV
13213	8	Lock nut M16
78419	1	Bale tray, frame
78851	2	Spacer
78852	2	Lock washer
78850	2	Shim
11138	2	Bolt M16x50 DIN 603 A4 80
79315	2	Stopper
10354	4	Bolt M12 x 45 DIN 931 8.8 FZV
82652	2	Rubber damper, wrapping table



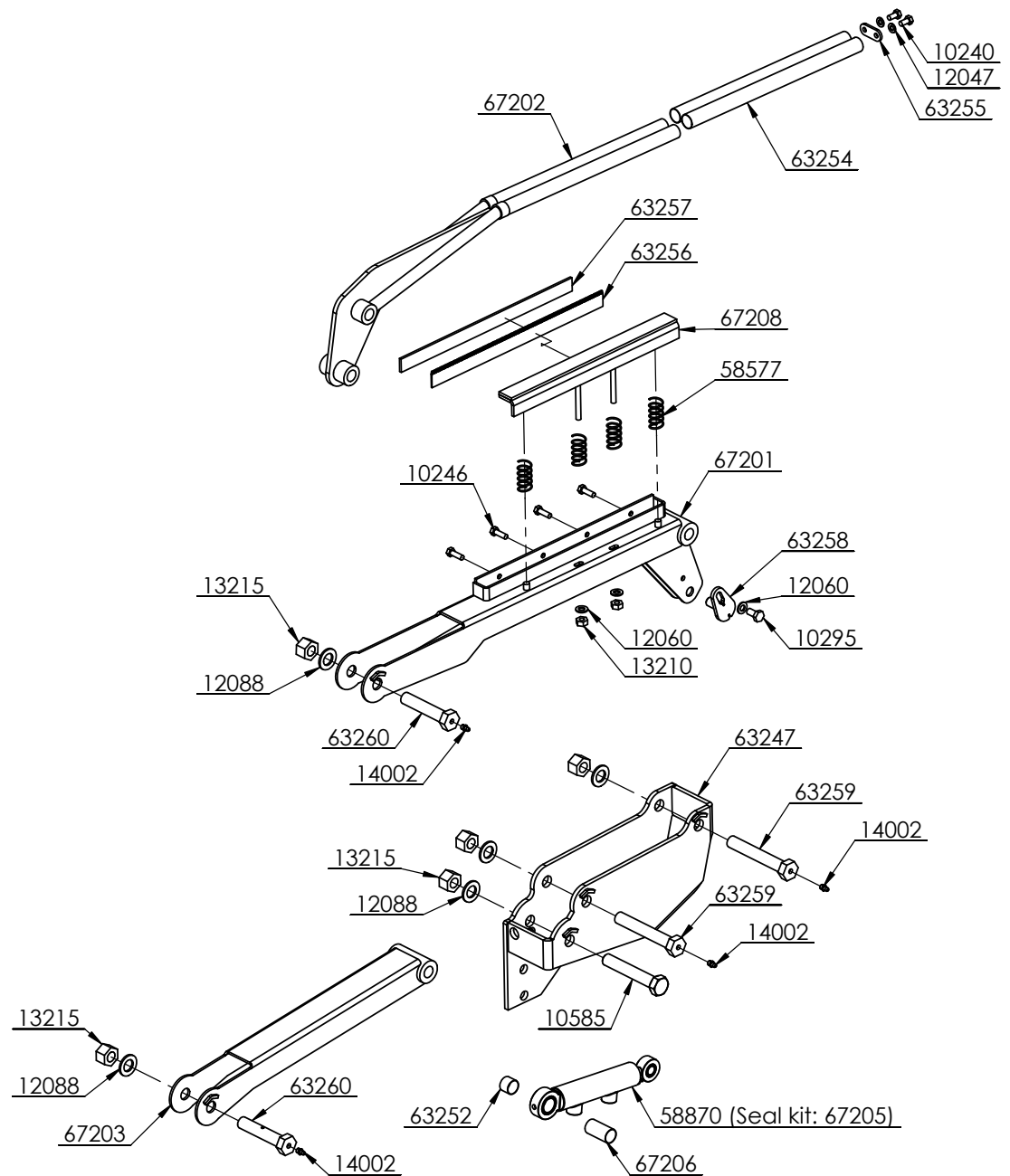
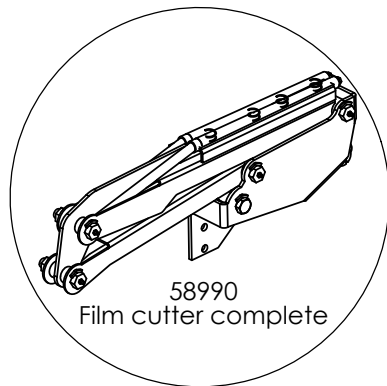
Part number	Qty	Description
12178	4	Washer 13 x 37 x 3 DIN 9021 FZV
82216	1	Fastening beam, right film cutter
13040	2	Weld Nut M8 DIN 929
77728	1	Sensor cover, wrapping table
13215	5	Lock nut M20
77136	1	Bracket, gear
82399	1	Sensor mount, Heavy Duty
59038	1	Gear RT 90
59053	1	Motor BR200 NC25
35011	2	Fitting 1/2" utv. x 3/8" utv.
53306	2	Gasket 1/2"
15202	2	Bolt M16x130, threaded to head
13013	4	Nut M16 DIN 934 Cl.8 FZV
10303	2	Bolt M10 x 40 DIN 933 8.8 FZV
12067	21	Washer 13 DIN 125A -140HV FZV
12060	12	Washer 10,5 DIN 125A -140HV FZV
10299	4	Bolt M10 x 30 DIN 933 8.8 FZV
77630	4	Washer ø50/15x3
15301	4	Bolt M14x20
14001	2	Grease nipple 1/8" R
12078	18	Washer 17 DIN 125A -140HV FZV
10493	6	Bolt M16 x 50 DIN 933 8.8 FZV
13213	8	Lock nut M16
10356	4	Bolt M12 x 50 DIN 931 8.8 FZV
13211	8	Lock nut M12
10352	4	Bolt M12 x 40 DIN 933 8.8 FZV
10582	1	Bolt M20 x 90 DIN 931 8.8 FZV
59752	1	Angled connection M7 ROHR6x1
79705	1	Hose 110mm Ø6x1,5
59753	1	Straight connection QR1-S-RAI-G018-DA06
79315	2	Stopper
82652	2	Rubber damper, wrapping table
15326	4	Bolt M14x45
12072	8	Washer 15 DIN 125A -140HV FZV
13212	4	Lock nut M14

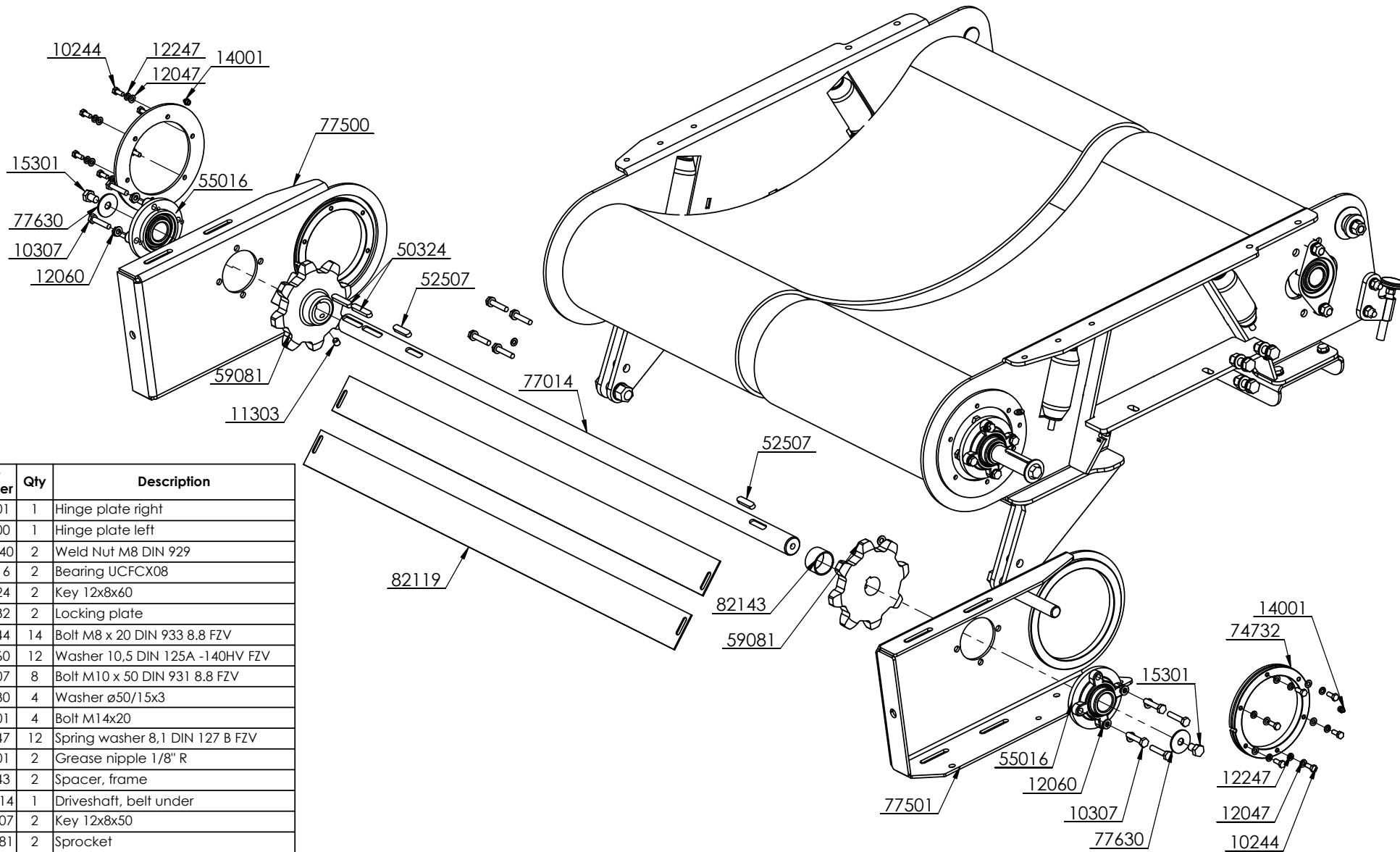


Part number	Qty	Description
12178	4	Washer 13 x 37 x 3 DIN 9021 FZV
13040	2	Weld Nut M8 DIN 929
82422	1	Fastening beam, left film cutter
77712	1	Bracket, gear RT 160, reinforced
12088	5	Washer 21 DIN 125A -140HV FZV
13215	5	Lock nut M20
12067	2	Washer 13 DIN 125A -140HV FZV
59039	1	Gear RT 160
59054	1	Motor BG100 NC25
50324	2	Key 12x8x60
15202	2	Bolt M16x130, threaded to head
13013	4	Nut M16 DIN 934 Cl.8 FZV
77630	4	Washer ø50/15x3
15301	4	Bolt M14x20
10346	2	Bolt M12 x 25 DIN 933 8.8 FZV
11518	4	Countersunk bolt M12x30
12078	18	Washer 17 DIN 125A -140HV FZV
10493	6	Bolt M16 x 50 DIN 933 8.8 FZV
13213	8	Lock nut M16
10356	4	Bolt M12 x 50 DIN 931 8.8 FZV
13211	8	Lock nut M12
10352	4	Bolt M12 x 40 DIN 933 8.8 FZV
10580	1	Bolt M20 x 75 DIN 931 8.8 FZV
74756	7	Shim ø60/40x1



Part number	Qty	Description
10240	2	Bolt M8 x 16 DIN 933 8.8 FZV
10246	4	Bolt M8 x 25 DIN 933 8.8 FZV
10295	1	Bolt M10 x 20 DIN 933 8.8 FZV
10585	1	Bolt M20 x 120 DIN 931
12047	2	Washer 8,4 DIN 125A -140HV FZV
12060	3	Washer 10,5 DIN 125A -140HV FZV
12088	5	Washer 21 DIN 125A -140HV FZV
13210	2	Lock nut M10
13215	5	Lock nut M20
14002	4	Grease nipple M8x1
58577	4	Spring
58870	1	Cylinder 32x16x100
63247	1	Frame, film cutter
63252	1	Tube for cylinder, short
63254	2	Pipe for press arm
63255	1	Shims for pipe, press arm
63256	1	Knife
63257	1	Plate for knife
63258	1	Fastening bolt for cylinder
63259	2	Bolt M20x130 w/grease nipple
63260	2	Bolt M20x100 w/grease nipple
67201	1	Stopper, film cutter
67202	1	Press arm, film cutter
67203	1	Tie rod, film cutter
67205	1	Gasket for cylinder, film stretcher
67206	1	Tube for cylinder, long
67208	1	Stopper bracket





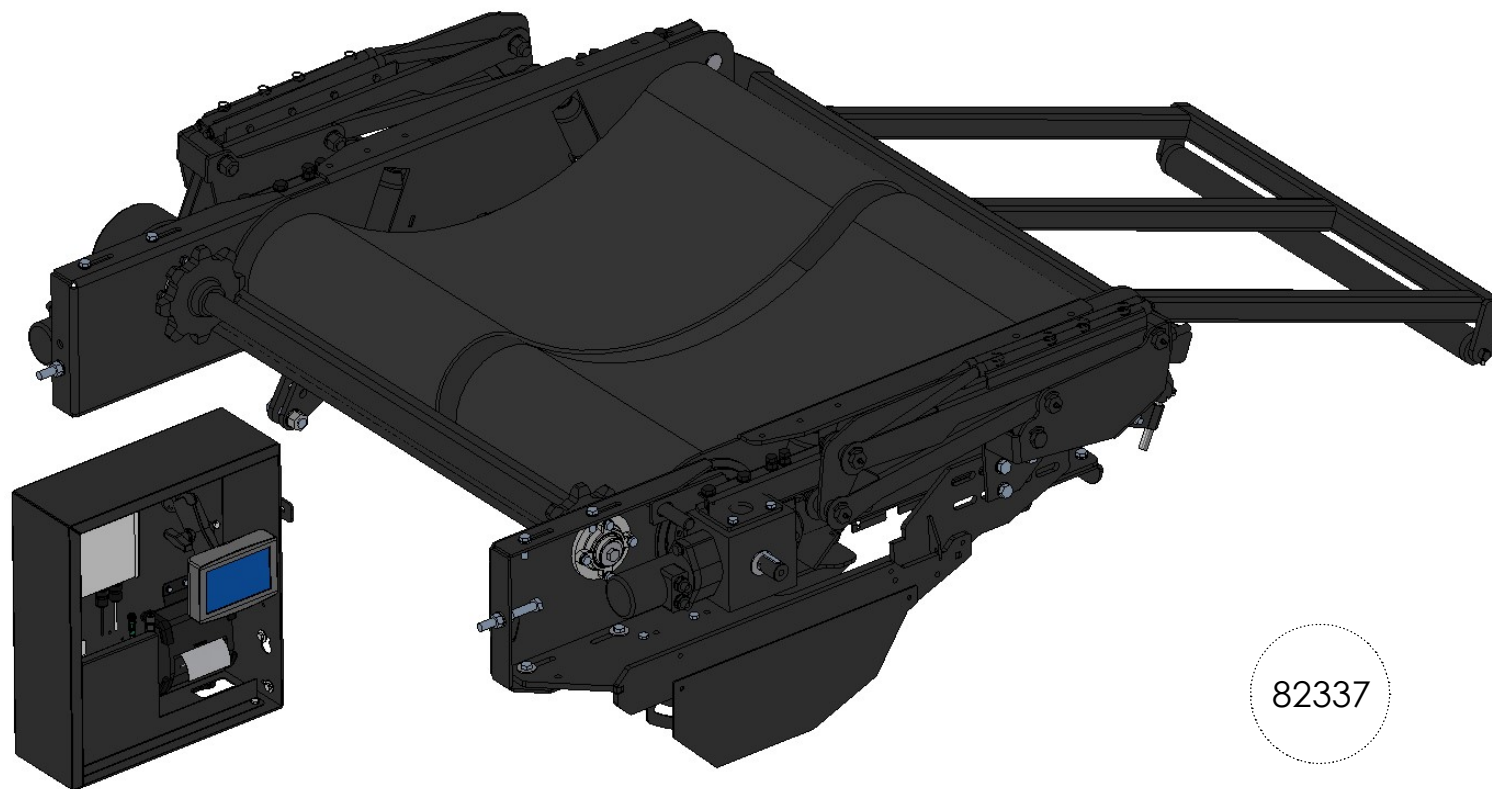
Part number	Qty	Description
77501	1	Hinge plate right
77500	1	Hinge plate left
13040	2	Weld Nut M8 DIN 929
55016	2	Bearing UCFCX08
50324	2	Key 12x8x60
74732	2	Locking plate
10244	14	Bolt M8 x 20 DIN 933 8.8 FZV
12060	12	Washer 10,5 DIN 125A -140HV FZV
10307	8	Bolt M10 x 50 DIN 931 8.8 FZV
77630	4	Washer ø50/15x3
15301	4	Bolt M14x20
12247	12	Spring washer 8,1 DIN 127 B FZV
14001	2	Grease nipple 1/8" R
82143	2	Spacer, frame
77014	1	Driveshaft, belt under
52507	2	Key 12x8x50
59081	2	Sprocket
11303	2	Set screw M12x12
82652	2	Rubber damper, wrapping table
82119	2	Spil tray, frame, Hi-X EVO



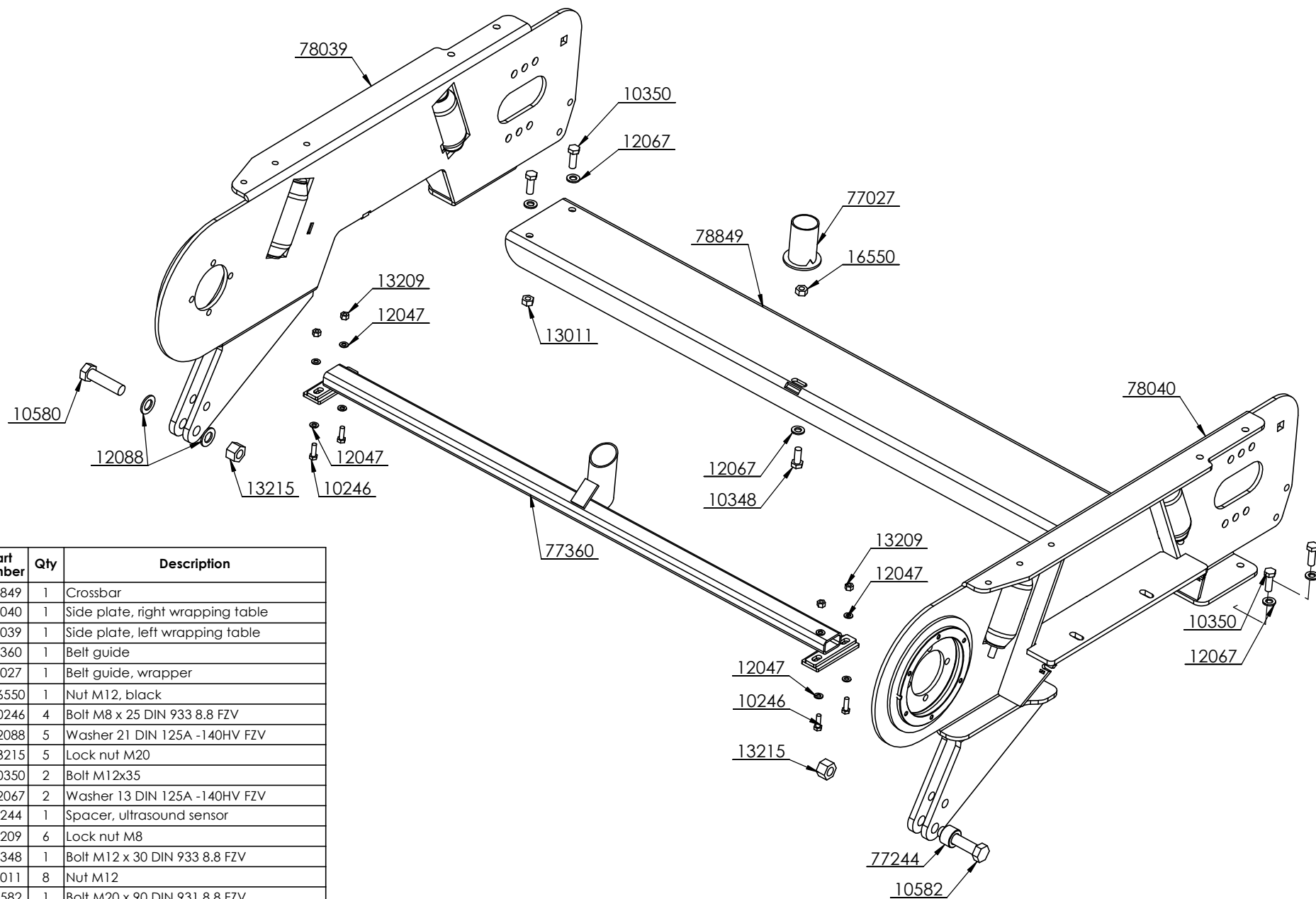
Chapter

3b

Wrapping table with weighing system

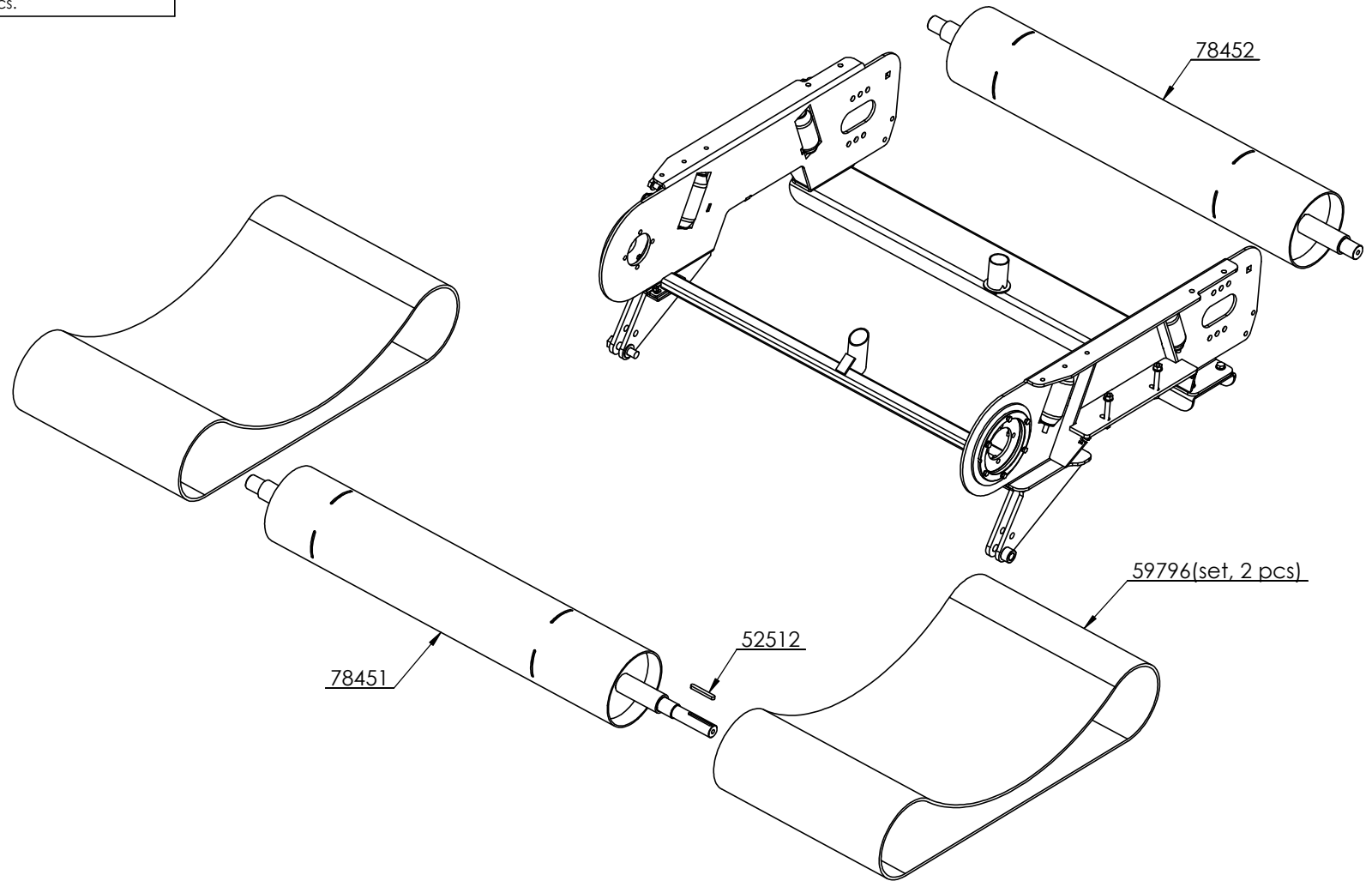


82337

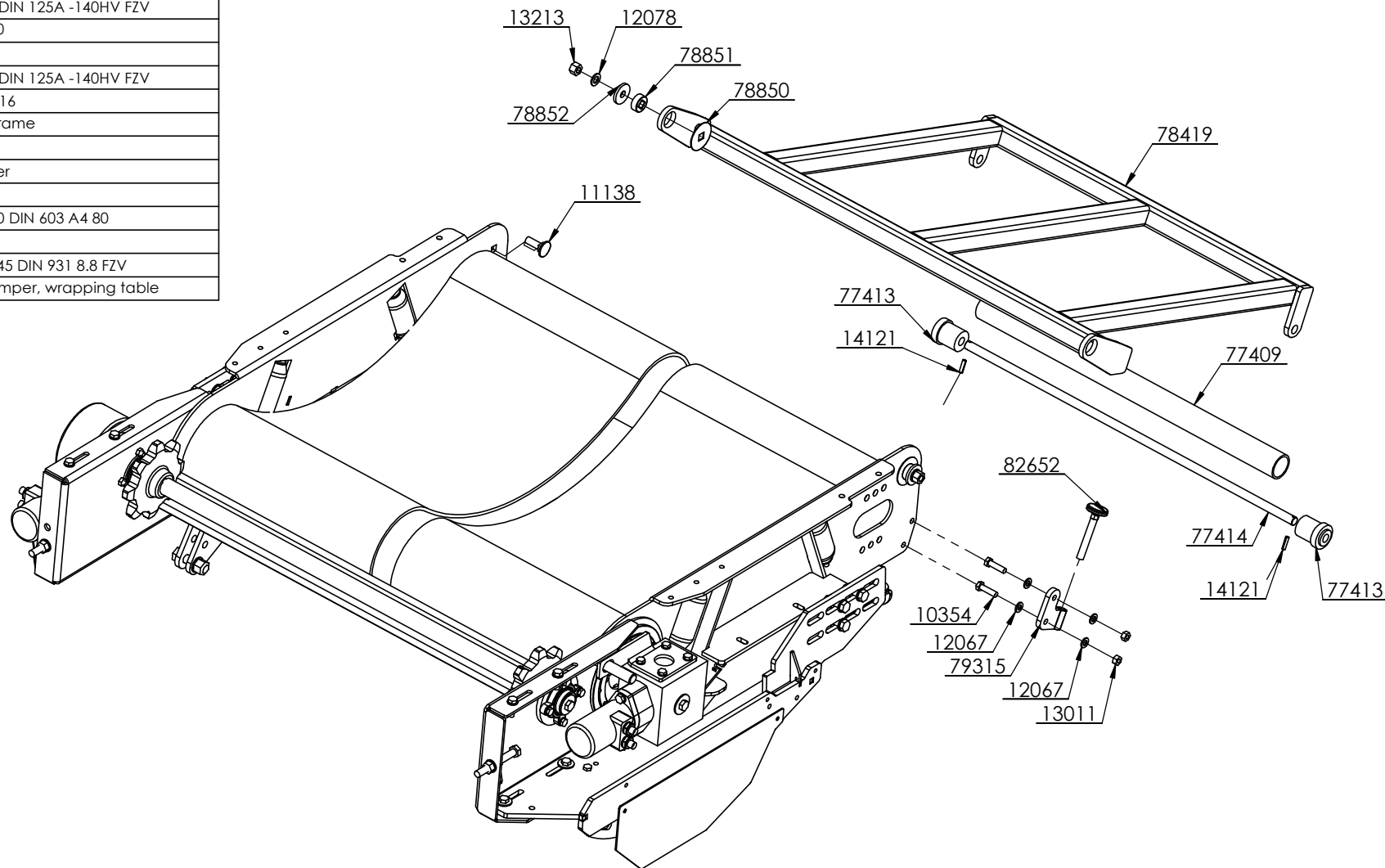


Part number	Qty	Description
78849	1	Crossbar
78040	1	Side plate, right wrapping table
78039	1	Side plate, left wrapping table
77360	1	Belt guide
77027	1	Belt guide, wrapper
16550	1	Nut M12, black
10246	4	Bolt M8 x 25 DIN 933 8.8 FZV
12088	5	Washer 21 DIN 125A -140HV FZV
13215	5	Lock nut M20
10350	2	Bolt M12x35
12067	2	Washer 13 DIN 125A -140HV FZV
77244	1	Spacer, ultrasound sensor
13209	6	Lock nut M8
10348	1	Bolt M12 x 30 DIN 933 8.8 FZV
13011	8	Nut M12
10582	1	Bolt M20 x 90 DIN 931 8.8 FZV

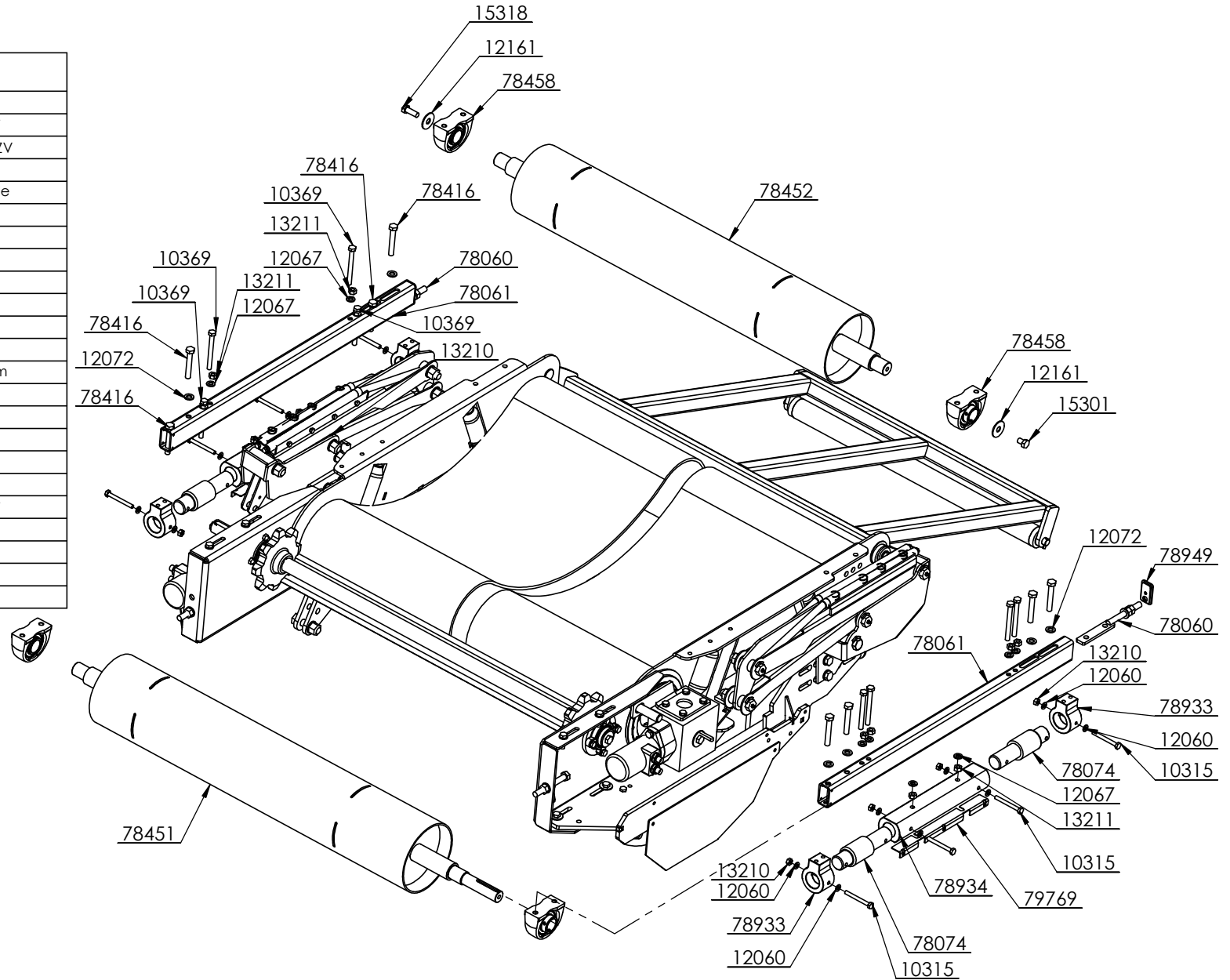
Part number	Qty	Description
78451	1	Roller 1, weighing system
78452	1	Roller 2, weighing system
52512	1	Key 10x8x80
59796	1	Belt, wrapper, 2 pcs.



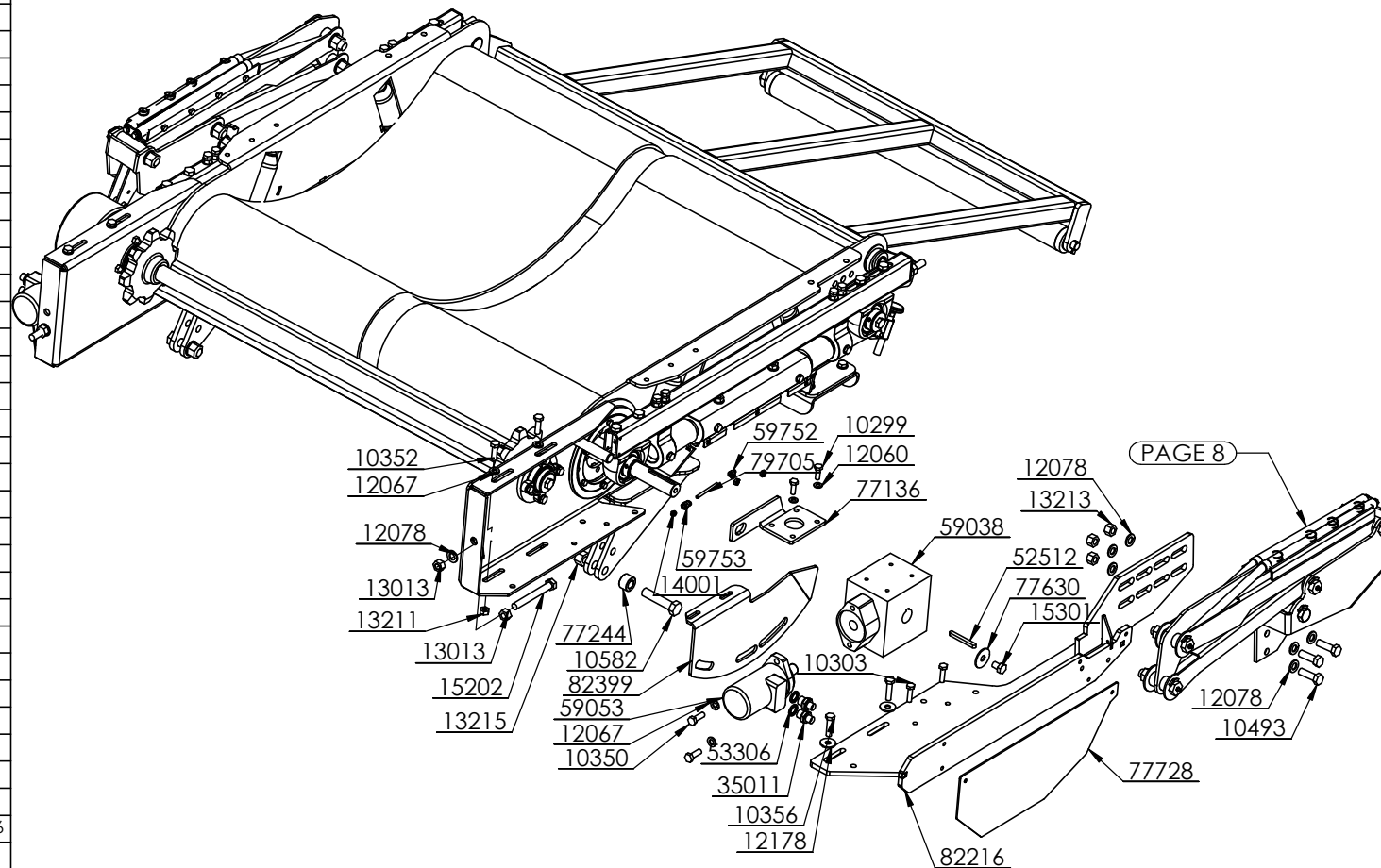
Part number	Qty	Description
77409	1	Bale tray, roller tube
77413	2	Bale tray, roller bushing
77414	1	Bale tray, roller, shaft
12067	21	Washer 13 DIN 125A -140HV FZV
14121	2	Splint ø8x30
13011	8	Nut M12
12078	18	Washer 17 DIN 125A -140HV FZV
13213	8	Lock nut M16
78419	1	Bale tray, frame
78851	2	Spacer
78852	2	Lock washer
78850	2	Shim
11138	2	Bolt M16x50 DIN 603 A4 80
79315	2	Stopper
10354	4	Bolt M12 x 45 DIN 931 8.8 FZV
82652	2	Rubber damper, wrapping table



Part number	Qty	Description
13210	2	Lock nut M10
12067	21	Washer 13 DIN 125A -140HV FZV
12060	12	Washer 10,5 DIN 125A -140HV FZV
13211	8	Lock nut M12
82652	2	Rubber damper, wrapping table
78451	1	Roller 1, weighing system
78452	1	Roller 2, weighing system
78934	1	Ring 2, load cell
78933	2	Ring 1, load cell
78074	2	Load cell
10315	4	Bolt M10x90
78061	1	HUP, load cell, weldment parts
78060	1	Tightening bolt, weighing system
78949	1	Fastening plate, belt tightener
78458	4	Bearing UCPA 208
12161	2	Washer 17 x 50 x 3 DIN 9021 FZV
15301	1	Bolt M14x20
15318	1	Bolt M14x40
12072	8	Washer 15 DIN 125A -140HV FZV
78416	8	Bolt M14x90
10364	4	Bolt M12 x 90 DIN 931 8.8 FZV
10369	8	Bolt M12x140
79769	2	Cable mounting rail

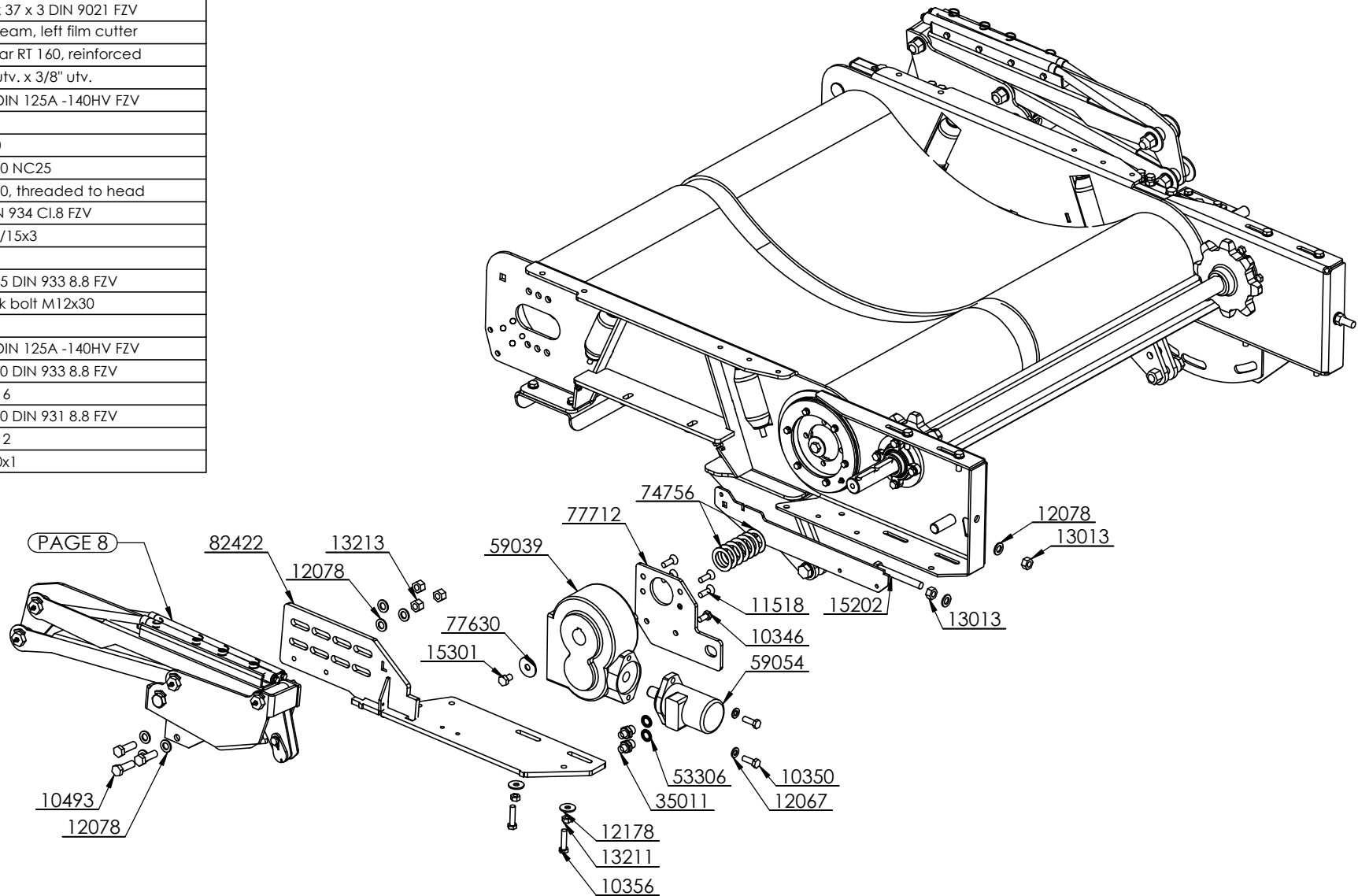


Part number	Qty	Description
12178	4	Washer 13 x 37 x 3 DIN 9021 FZV
82216	1	Fastening beam, right film cutter
77728	1	Sensor cover, wrapping table
77136	1	Bracket, gear
82399	1	Sensor mount, Heavy Duty
59038	1	Gear RT 90
59053	1	Motor BR200 NC25
35011	2	Fitting 1/2" utv. x 3/8" utv.
10350	2	Bolt M12x35
53306	2	Gasket 1/2"
77244	1	Spacer, ultrasound sensor
15202	2	Bolt M16x130, threaded to head
13013	4	Nut M16 DIN 934 Cl.8 FZV
10303	2	Bolt M10 x 40 DIN 933 8.8 FZV
12067	21	Washer 13 DIN 125A -140HV FZV
12060	12	Washer 10,5 DIN 125A -140HV FZV
10299	4	Bolt M10 x 30 DIN 933 8.8 FZV
77630	4	Washer ø50/15x3
15301	4	Bolt M14x20
14001	2	Grease nipple 1/8" R
12078	18	Washer 17 DIN 125A -140HV FZV
10493	6	Bolt M16 x 50 DIN 933 8.8 FZV
13213	8	Lock nut M16
10356	4	Bolt M12 x 50 DIN 931 8.8 FZV
13211	8	Lock nut M12
10352	4	Bolt M12 x 40 DIN 933 8.8 FZV
10582	1	Bolt M20 x 90 DIN 931 8.8 FZV
13215	2	Lock nut M20
59752	1	Angled connection M7 ROHR6x1
79705	1	Hose 110mm Ø6x1,5
59753	1	Straight connection QR1-S-RAI-G018-DA06
79315	2	Stopper
10354	4	Bolt M12 x 45 DIN 931 8.8 FZV
52512	1	Key 10x8x80

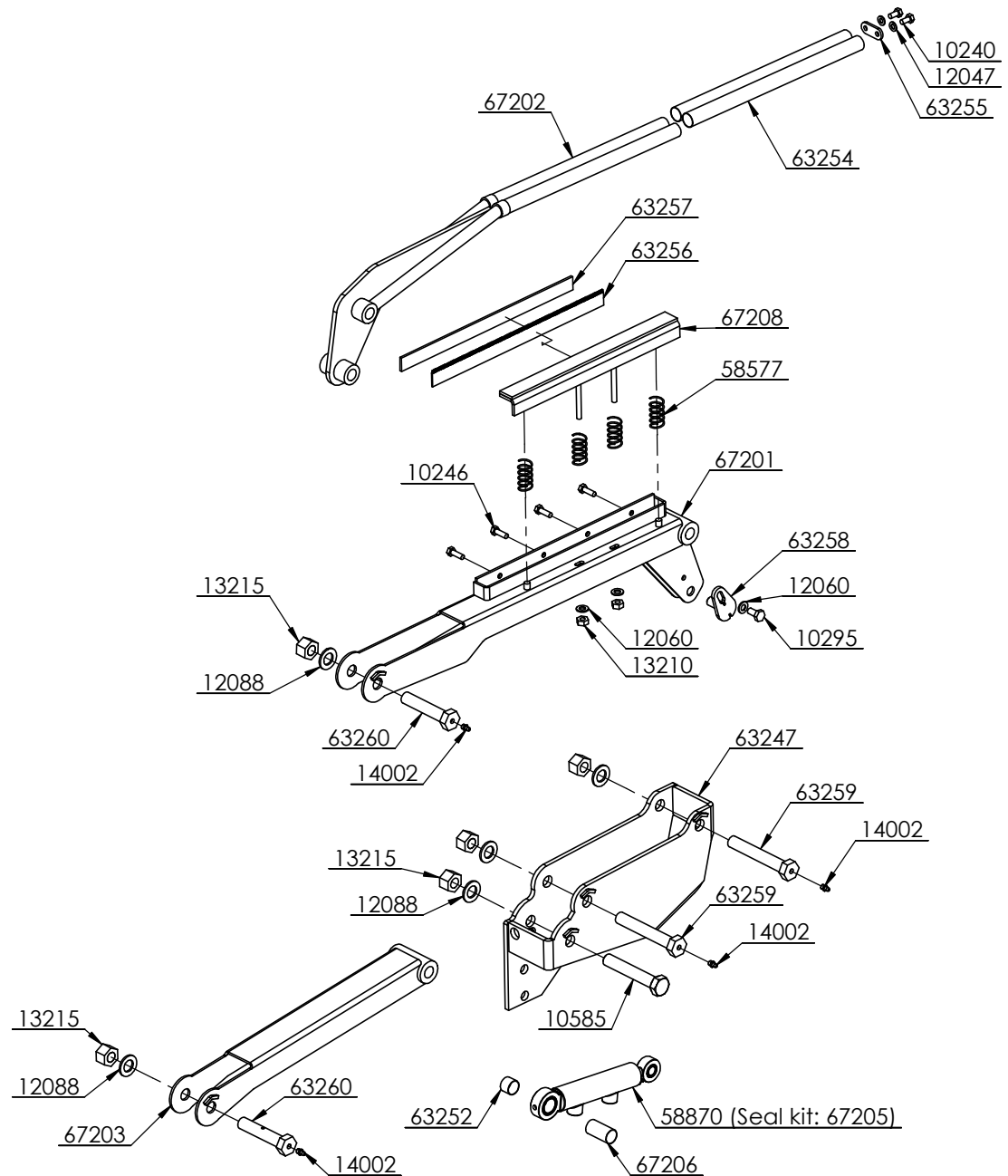
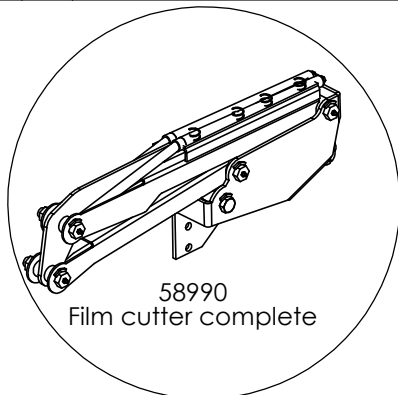


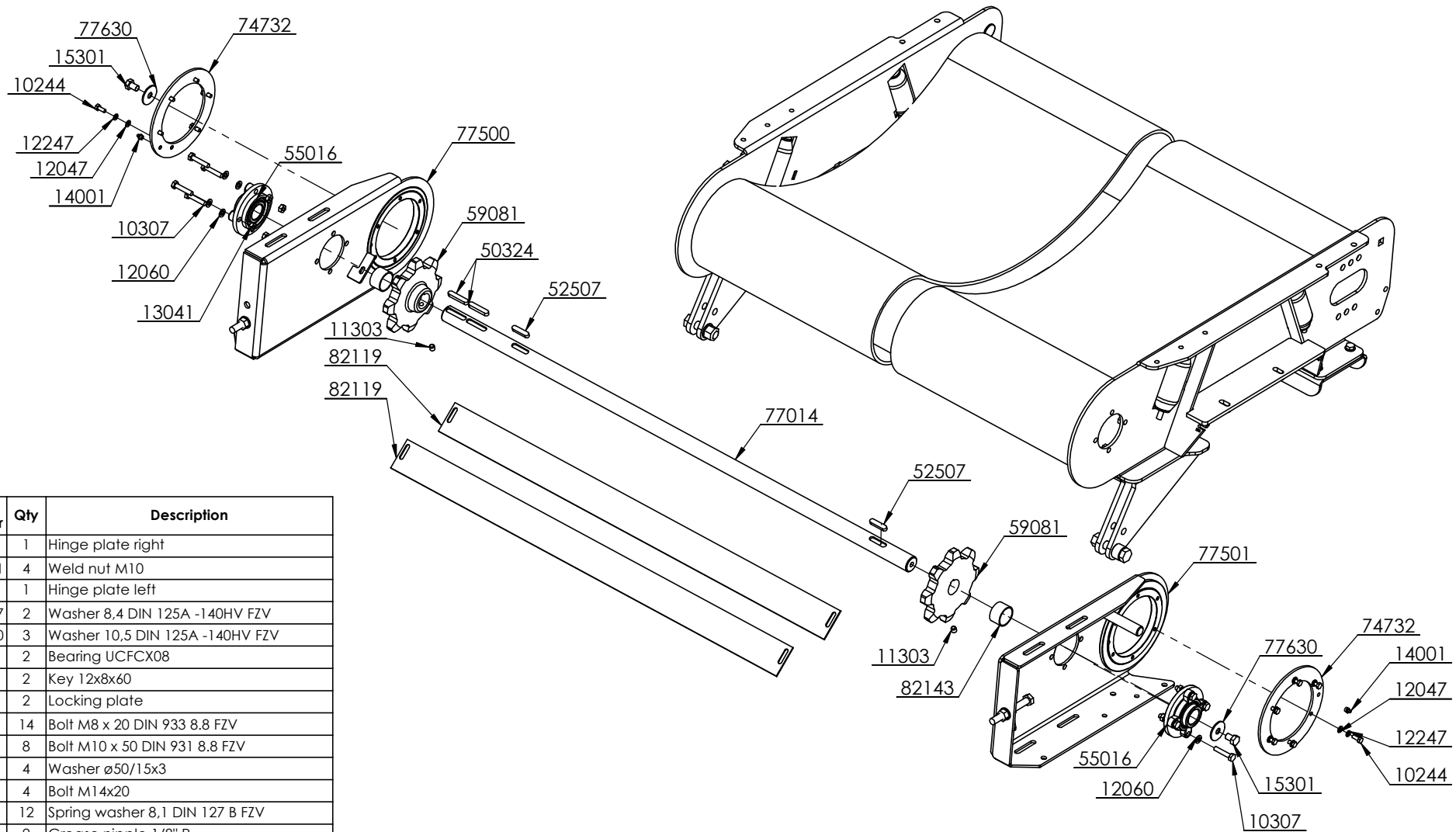
PAGE 8

Part number	Qty	Description
12178	4	Washer 13 x 37 x 3 DIN 9021 FZV
82422	1	Fastening beam, left film cutter
77712	1	Bracket, gear RT 160, reinforced
35011	2	Fitting 1/2" utv. x 3/8" utv.
12067	2	Washer 13 DIN 125A -140HV FZV
53306	2	Gasket 1/2"
59039	1	Gear RT 160
59054	1	Motor BG100 NC25
15202	2	Bolt M16x130, threaded to head
13013	4	Nut M16 DIN 934 Cl.8 FZV
77630	4	Washer ø50/15x3
15301	4	Bolt M14x20
10346	2	Bolt M12 x 25 DIN 933 8.8 FZV
11518	4	Countersunk bolt M12x30
10350	4	Bolt M12x35
12078	18	Washer 17 DIN 125A -140HV FZV
10493	6	Bolt M16 x 50 DIN 933 8.8 FZV
13213	8	Lock nut M16
10356	4	Bolt M12 x 50 DIN 931 8.8 FZV
13211	8	Lock nut M12
74756	7	Shim ø60/40x1



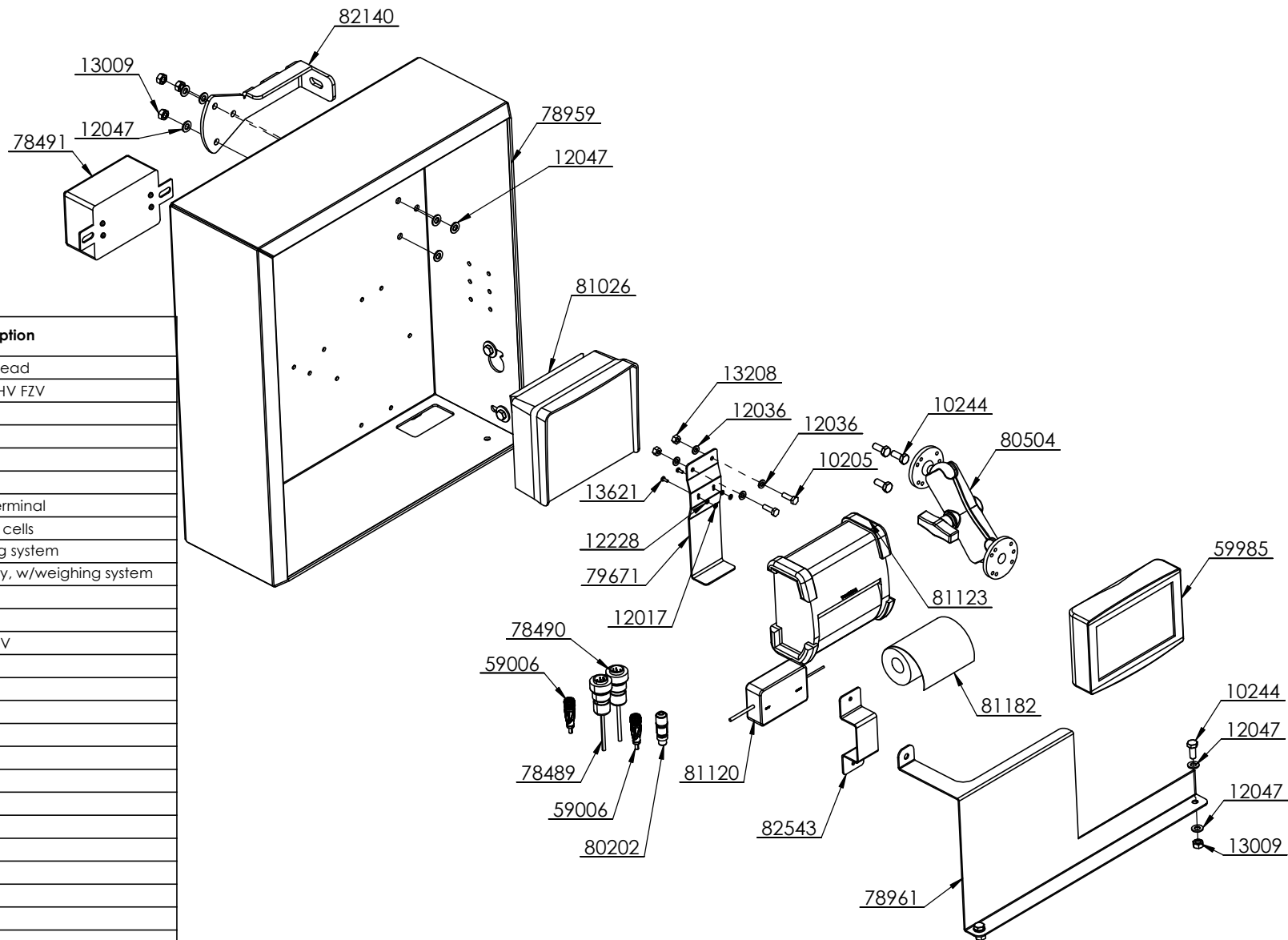
Part number	Qty	Description
10240	2	Bolt M8 x 16 DIN 933 8.8 FZV
10246	4	Bolt M8 x 25 DIN 933 8.8 FZV
10295	1	Bolt M10 x 20 DIN 933 8.8 FZV
10585	1	Bolt M20 x 120 DIN 931
12047	2	Washer 8,4 DIN 125A -140HV FZV
12060	3	Washer 10,5 DIN 125A -140HV FZV
12088	5	Washer 21 DIN 125A -140HV FZV
13210	2	Lock nut M10
13215	5	Lock nut M20
14002	4	Grease nipple M8x1
58577	4	Spring
58870	1	Cylinder 32x16x100
63247	1	Frame, film cutter
63252	1	Tube for cylinder, short
63254	2	Pipe for press arm
63255	1	Shims for pipe, press arm
63256	1	Knife
63257	1	Plate for knife
63258	1	Fastening bolt for cylinder
63259	2	Bolt M20x130 w/grease nipple
63260	2	Bolt M20x100 w/grease nipple
67201	1	Stopper, film cutter
67202	1	Press arm, film cutter
67203	1	Tie rod, film cutter
67205	1	Gasket for cylinder, film stretcher
67206	1	Tube for cylinder, long
67208	1	Stopper bracket



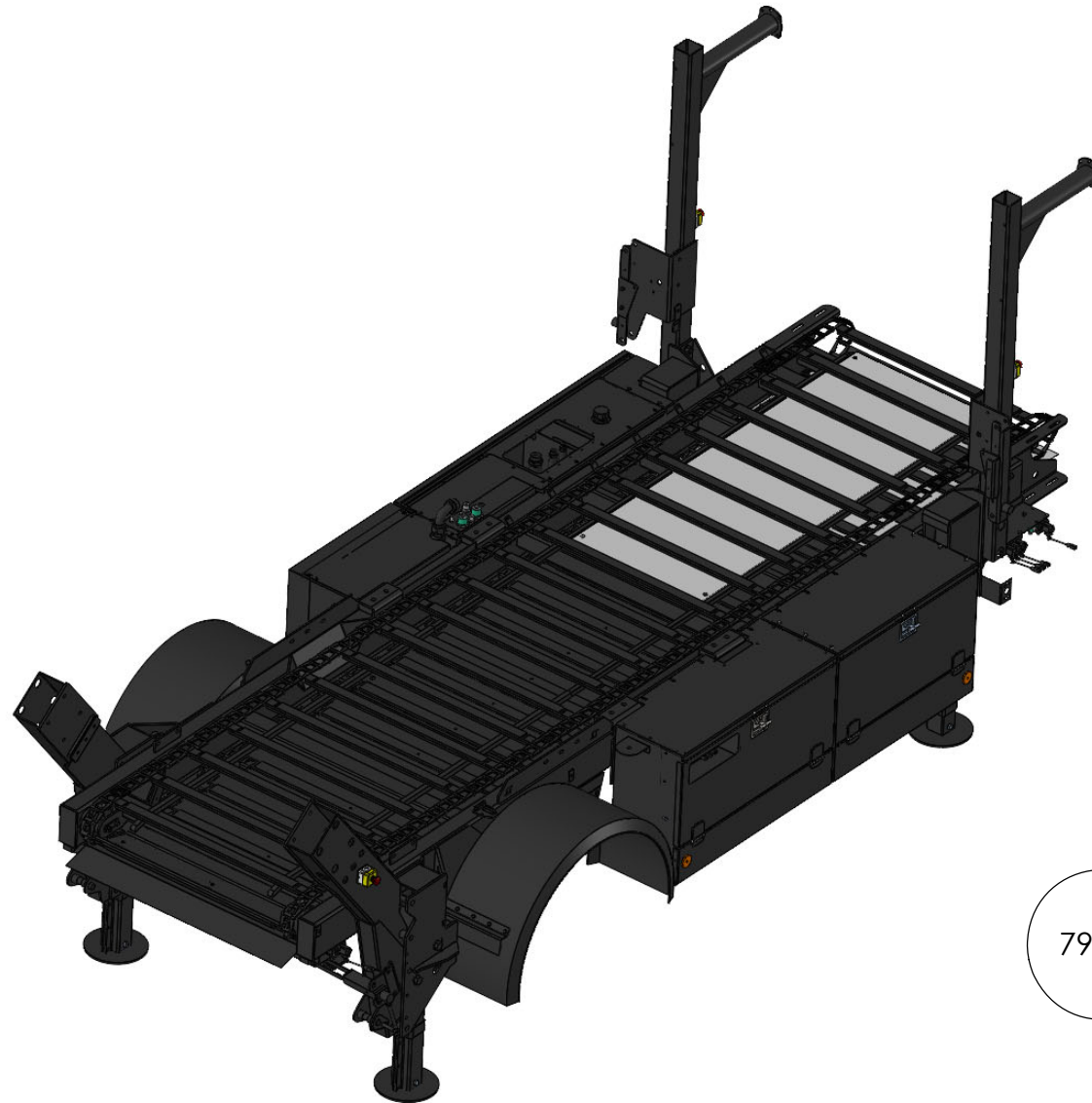


Part number	Qty	Description
77501	1	Hinge plate right
13041	4	Weld nut M10
77500	1	Hinge plate left
12047	2	Washer 8,4 DIN 125A -140HV FZV
12060	3	Washer 10,5 DIN 125A -140HV FZV
55016	2	Bearing UCFCX08
50324	2	Key 12x8x60
74732	2	Locking plate
10244	14	Bolt M8 x 20 DIN 933 8.8 FZV
10307	8	Bolt M10 x 50 DIN 931 8.8 FZV
77630	4	Washer ø50/15x3
15301	4	Bolt M14x20
12247	12	Spring washer 8,1 DIN 127 B FZV
14001	2	Grease nipple 1/8" R
82143	2	Spacer, frame
77014	1	Driveshaft, belt under
52507	2	Key 12x8x50
59081	2	Sprocket
11303	2	Set screw M12x12



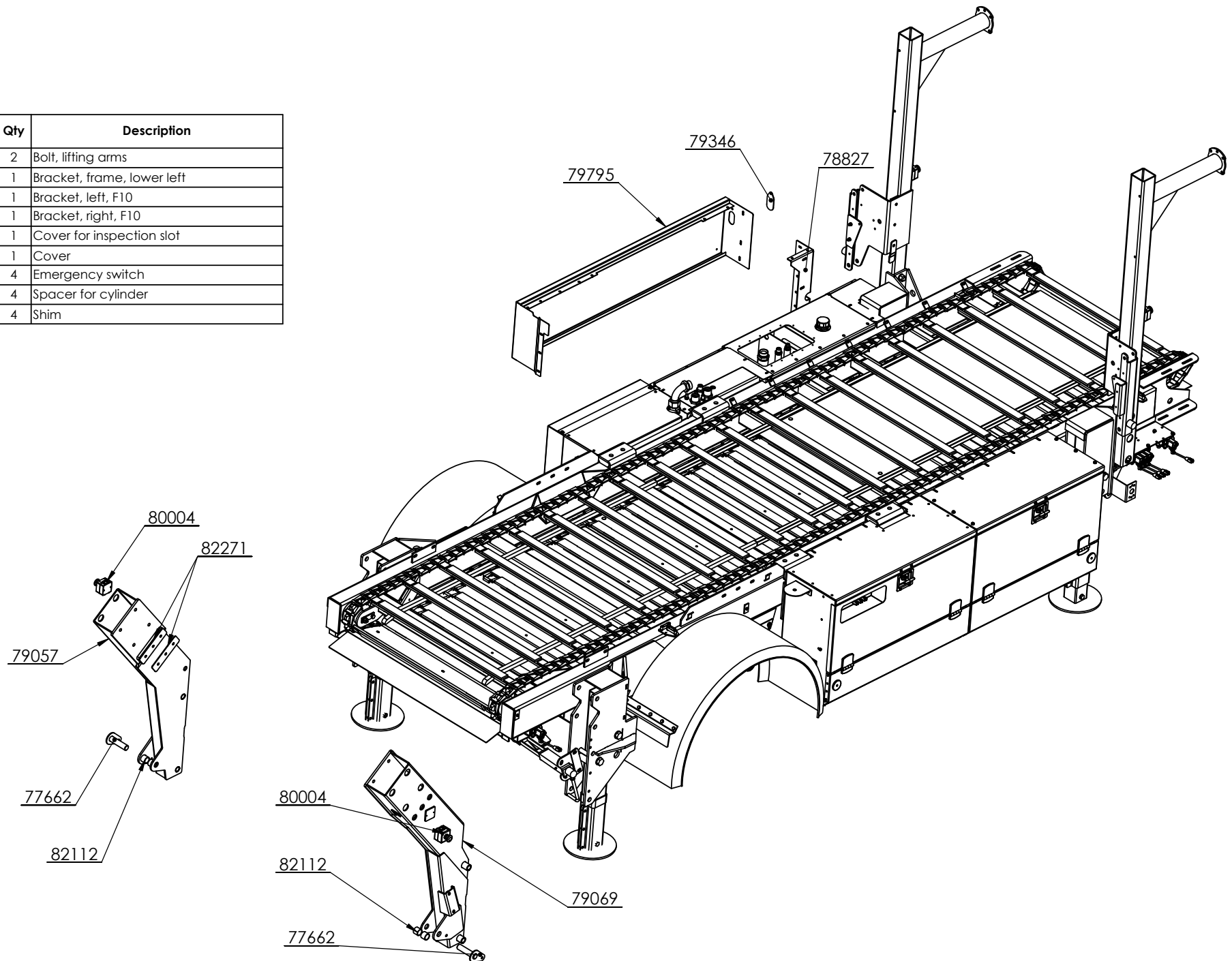


Part number	Qty	Description
10205	2	Bolt M6x20, threaded to head
12036	4	Washer 6,4 DIN 125A -140HV FZV
13208	2	Lock nut M6
59006	2	Sensor cable 4-lead
59985	1	Display unit
78489	1	Sensorcable
78490	1	Kabel, strømførsel veieterminal
78491	1	Junction box, ECP, 4 load cells
78959	1	Cover display, w/weighing system
78961	1	Cable cover, case, display, w/weighing system
82140	1	Supportbracket
12047	16	Washer M8 DIN 125A
10244	7	Bolt M8 x 20 DIN 933 8.8 FZV
12147	2	Washer M8 DIN 9021
10246	2	Screw M8 x 25 DIN 933
13009	7	Nut M8 DIN 934
79671	1	Bracket for printer
80202	1	M12-contact Quickon
80504	1	RAM-fastener, complete
81026	1	Scale STADconnect
81123	1	Printer Toshiba
81120	1	DC Adapter
81121	1	Printer cable
13621	2	Pan bolt M3x8
12017	2	Washer M3
12228	2	Spring washer M3
82543	1	Hoop for power supply
81182	1	Label roll

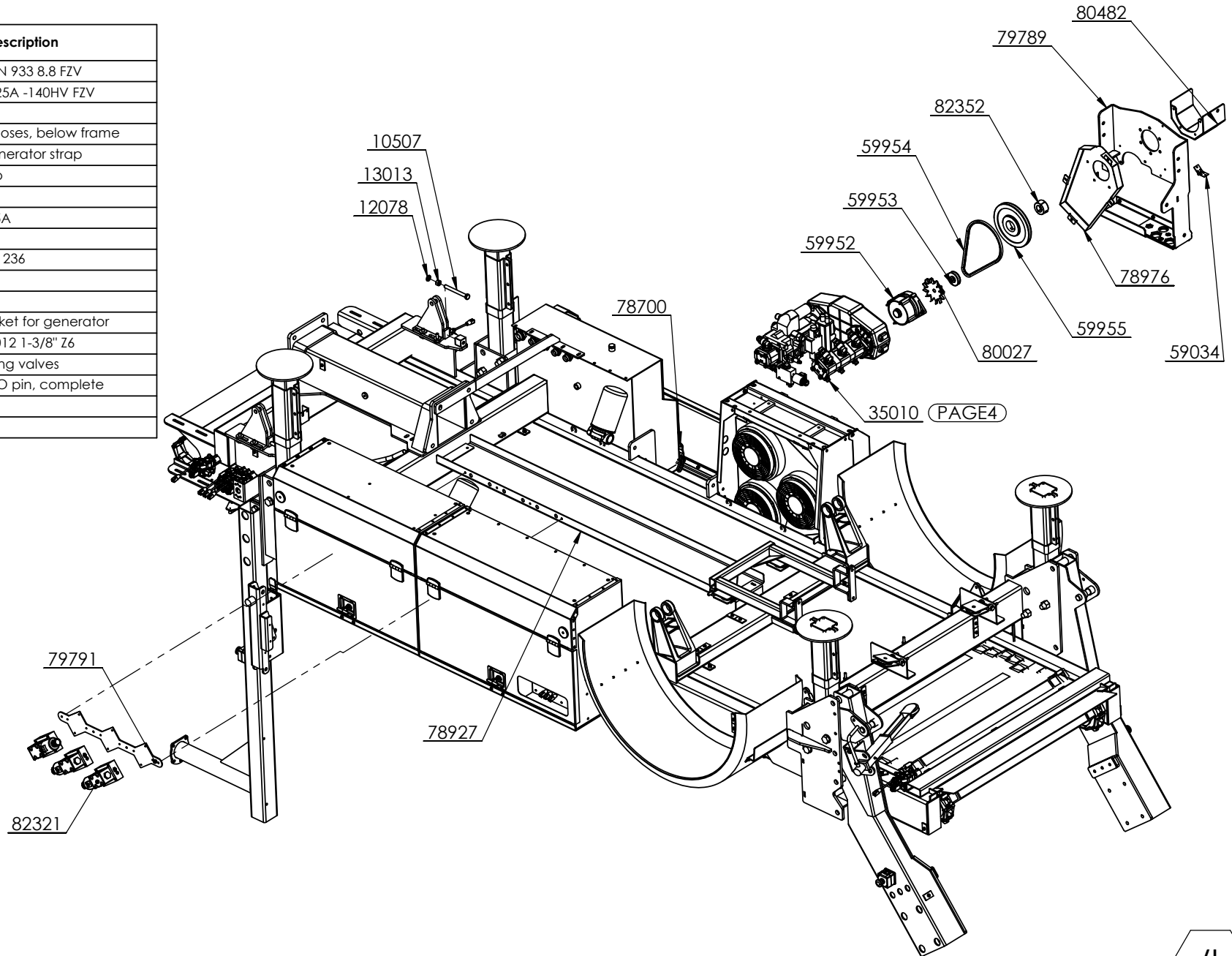


79861

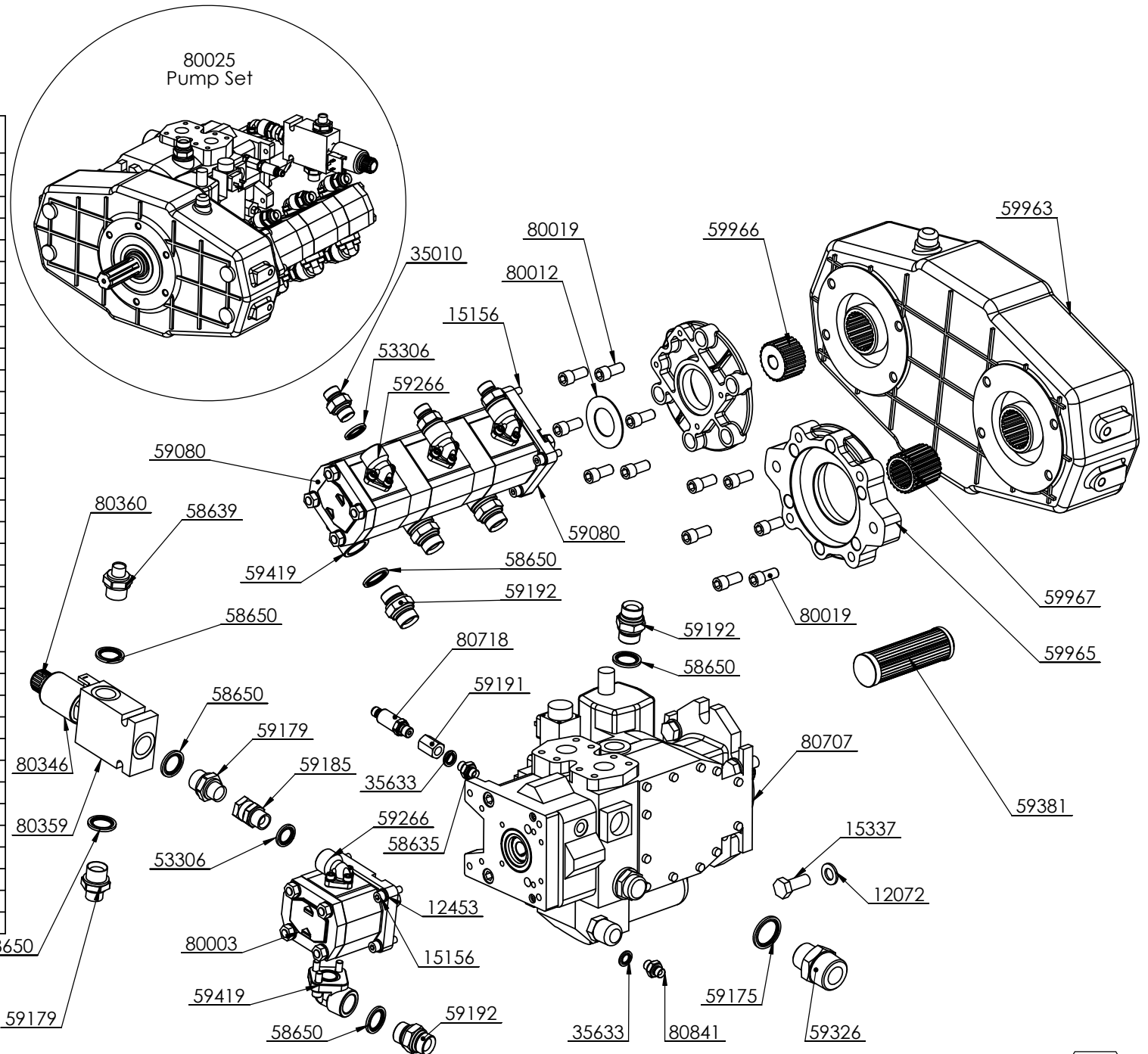
Part number	Qty	Description
77662	2	Bolt, lifting arms
78827	1	Bracket, frame, lower left
79057	1	Bracket, left, F10
79069	1	Bracket, right, F10
79346	1	Cover for inspection slot
79795	1	Cover
80004	4	Emergency switch
82112	4	Spacer for cylinder
82271	4	Shim



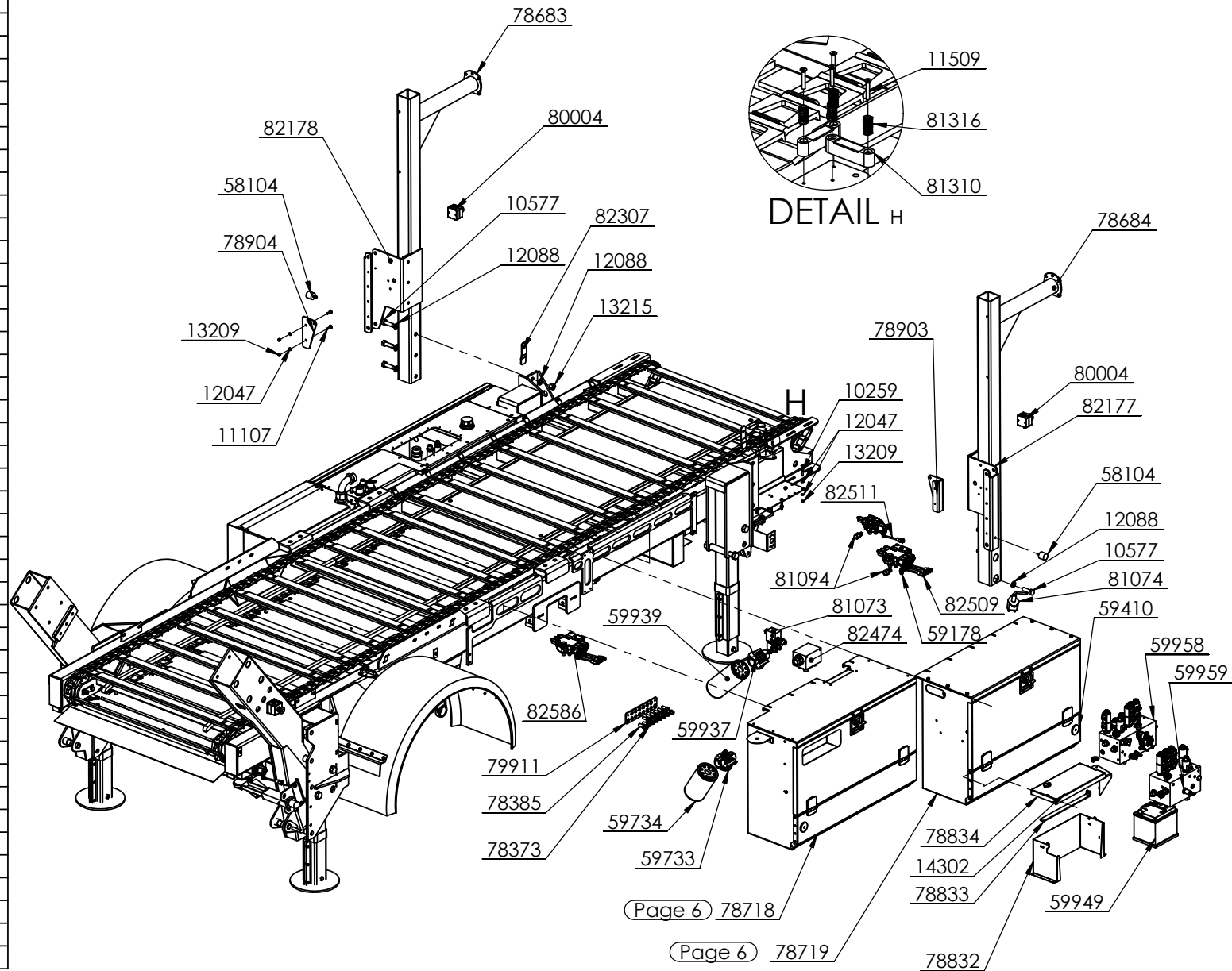
Part number	Qty	Description
10507	2	Bolt M16 x 150 DIN 933 8.8 FZV
12078	4	Washer 17 DIN 125A -140HV FZV
13013	2	Nut M16 DIN 934
78927	1	Duct, hydraulic hoses, below frame
78976	1	Cover above generator strap
79789	1	Bracket for pump
35010	3	Fitting 1/2"-1/2"
59952	1	Alternator 24V 55A
59953	1	V-belt pulley ø73
59955	1	V-belt pulley SPA 236
59954	1	Belt XPA 1030
80027	1	Alternator fan
78700	1	Adjustment bracket for generator
82352	1	Taperlock hub 2012 1-3/8" Z6
79791	1	Mount for reversing valves
80482	1	Guard above PTO pin, complete
59034	1	Hinge
82321	3	Valve, complete

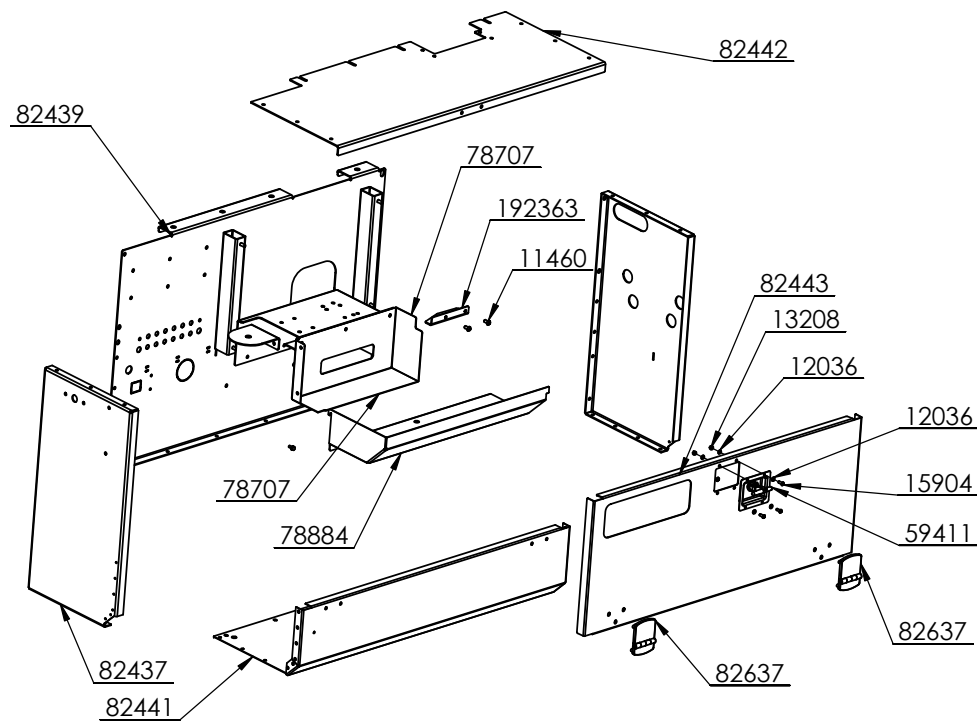
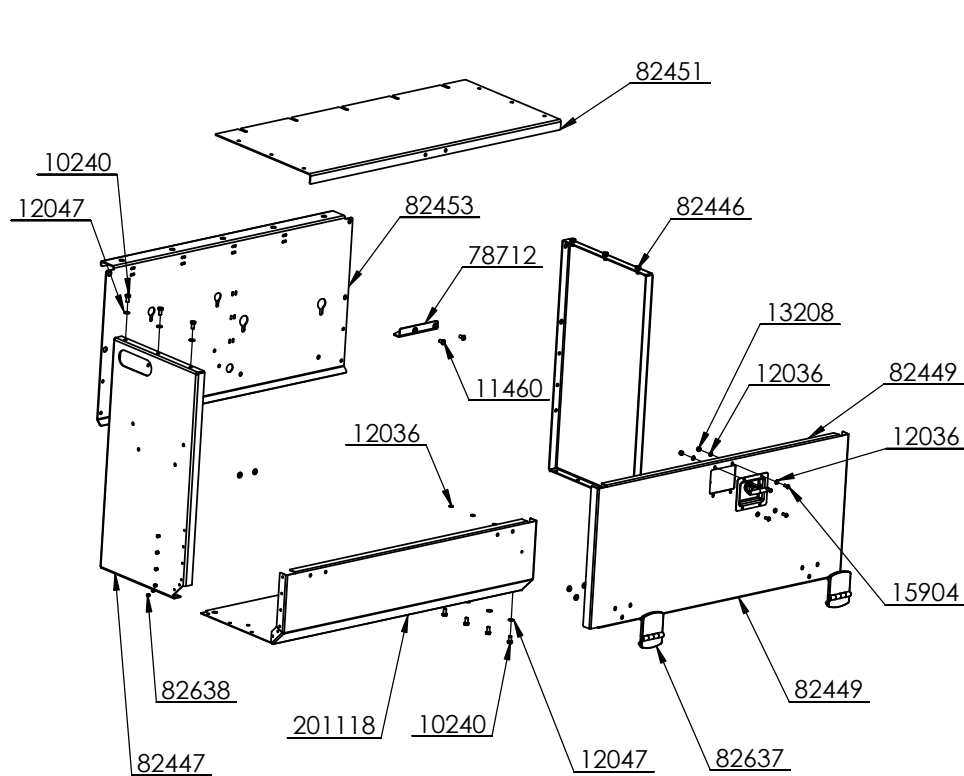


Part number	Qty	Description
12072	4	Washer 15 DIN 125A -140HV FZV
12453	8	Nord-Lock washer M8
15156	8	Bolt M8 x 30 ISO 4762 12.9 flZn
15337	4	Bolt M14x35
35010	3	Fitting 1/2"-1/2"
35633	3	Bonded seal 1/4"
53306	4	Gasket 1/2"
58635	1	Fitting 1/4"-1/4"
58639	1	Fitting 3/8" utv.-3/4" utv.
58650	8	Gasket
59175	1	Gasket 1"
59179	2	Fitting 1/2" utv.-3/4" utv.
59185	1	Fitting 1/2" - 1/2"
59191	1	Coupling 1/4"
59192	5	Fitting 3/4"-3/4"
59266	1	Port flange 90Gr ø30x1/2"
59326	1	Fitting 1" 1/4" - 3/4"
59381	1	Filter element, pressure
59080	1	Triple pump
59419	3	Port flange ø40x3/4"
59266	3	Port flange 90Gr ø30x1/2"
59963	1	Borelli 91001 gear
59965	1	Flange SAE C
59966	1	Spline shell 50-45 z24 18 gr.
59967	1	Spline shell 50-45 z24 16-32 z21
59964	1	Flange gr. 2
80003	1	Pump gr.2 10,6ccm
80012	1	Centering disk Borelli 920266
80019	12	Bolt M12 special for Borelli 91001
80356	1	Directional Valve, 3-way, complete
80359	1	Housing CP12-3-6B 3/4"
80360	1	Valve, 3-way
80346	1	Coil for PSV12
80707	1	Hydrostatic pump w/flange
80718	1	Pressure sensor 0-600 bar
80841	1	Fitting 1/4"-1/4", 2mm throttle



Part number	Qty	Description
10259	6	Bolt M8x60
10577	6	Bolt M20 x 60 DIN 933 8.8 FZV
11107	4	Lock head bolt M8x30
11509	8	Countersunk bolt M4x25
12047	44	Washer 8,4 DIN 125A -140HV FZV
12088	12	Washer 21 DIN 125A -140HV FZV
13209	38	Lock nut M8
13215	6	Lock nut M20
58104	2	Rubber buffer, complete
59733	1	Filter head
59734	1	Suction filter
59937	1	Filter head
59939	1	Filter element, low pressure
78683	1	Rod, left side
78684	1	Rod, right side
78903	1	Gas spring bracket RF
78904	1	Gas spring bracket RB LF LB
80004	4	Emergency switch
81094	2	Pressure continuation plug
81310	4	Hultafors Libelle leveller NV 702
81316	8	Spring
82177	1	Plastmag brakett HF
82178	1	Plastmag brakett VF
82307	2	Holder for spilltray
80107	1	Electric cabinet, complete
79911	1	Locking plate
78385	2	Bulkhead fitting 3/8"
78373	12	Bulkhead fitting 1/4"
59958	1	Hydraulic manifold HIC 1
59959	1	Hydraulic manifold HIC 2
82474	1	Collector manifold, complete
59949	2	Battery 12V 44Ah
81074	1	Main power switch
78832	1	Bracket for battery
78833	1	Clamp for battery
78834	1	Cover for battery
14302	2	Ear pin M6
81073	1	Valve block assembly, with 24V coil
59410	2	Reflex ø60, orange
82586	1	Hydraulic valve, 3-levers, complete
82509	1	Hydraulic directional control valve (3)
59178	1	Adaptor 3/8"-3/8"



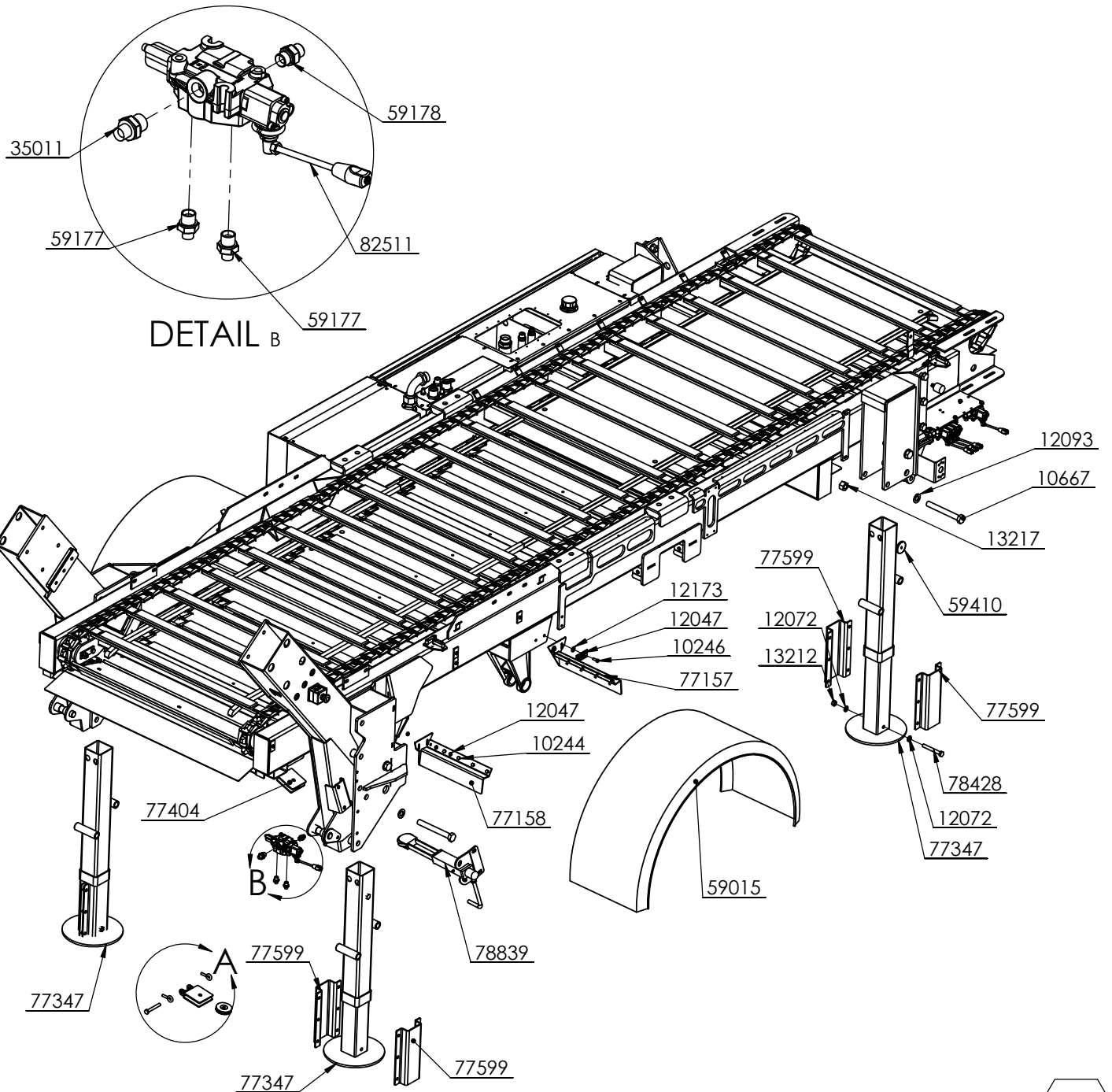


Part number	Qty	Description
10240	10	Bolt M8 x 16 DIN 933
11460	2	Screw M8 x 16 ISO 7380
12036	12	Washer M6 DIN 125A
12047	22	Washer M8 DIN 125A
13208	4	Nut M6 DIN 985
15904	4	Screw M6 x 16 ISO 7380 with flange
59411	1	Door lock
78712	1	Lock counterpart, hydraulic cabinet
82446	1	Sidewall, right, hydraulic cabinet
82447	1	Sidewall, left, hydraulic cabinet
82448	1	Base plate hydraulic cabinet
82449	1	Front hatch hydraulic cabinet
82451	1	Top cover hydraulic cabinet
82453	1	Rear wall hydraulic cabinet
82637	2	Hinge, heavy duty, alu
82638	12	Poprivet, stainless, 4,8x12

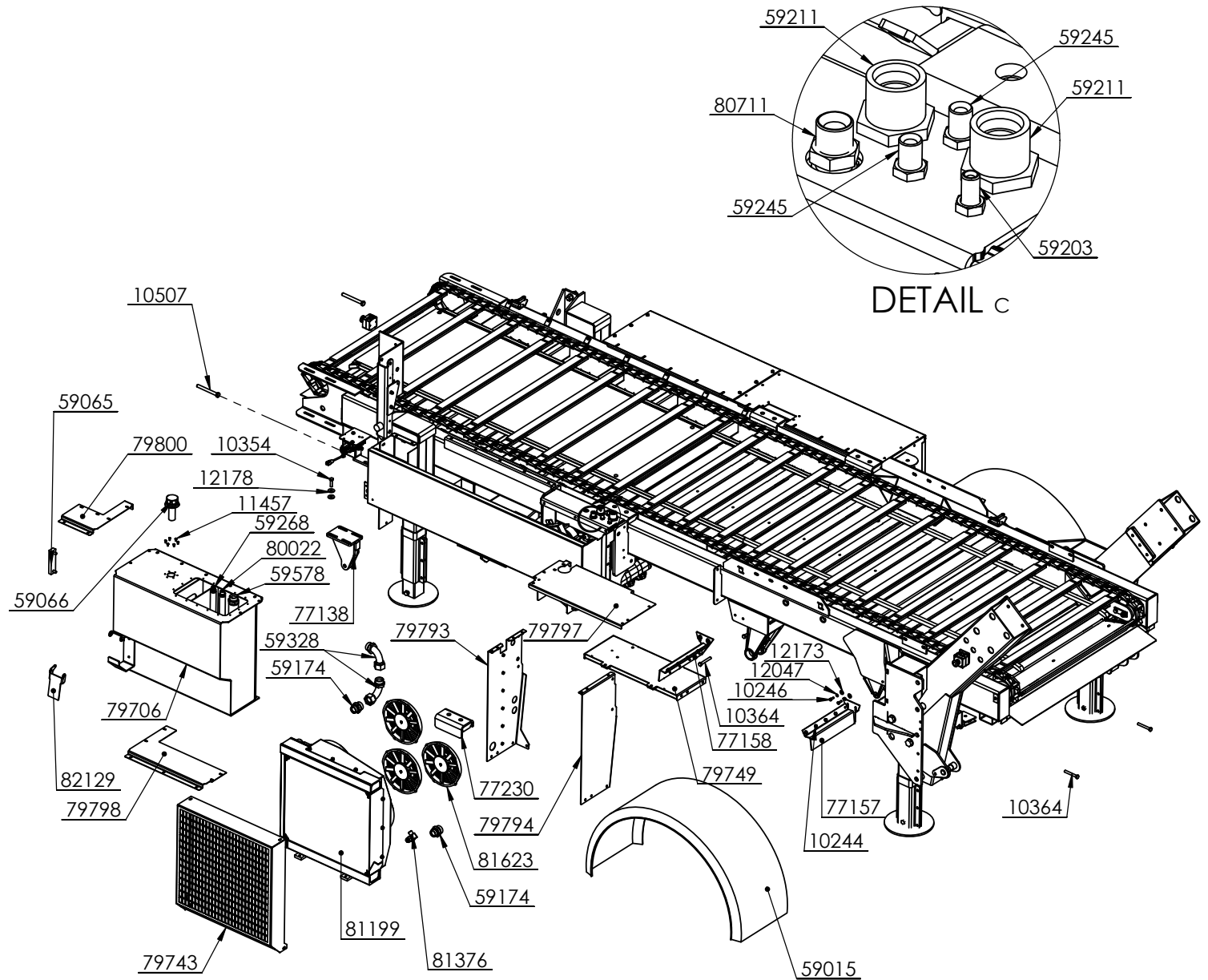
Part number	Qty	Description
10201	1	Bolt M6x16, threaded to head
11460	2	Screw M8 x 16 ISO 7380
12036	9	Washer 6,4 DIN 125A -140HV FZV
12236	1	Spring washer M6
13208	4	Lock nut M6
15904	4	Screw M6 x 16 ISO 7380 with flange
59411	1	Door lock
78707	1	Electric cabinet sprayhood valves
78792	2	Spacer for electric cabinet
16503	2	Bolt M8x20, black
78802	1	Bracket
13040	3	Weld nut M8
78884	1	Cover below electric cabinet
82433	1	Sidewall, right El-cabinet
82437	1	Sidewall, left, El-cabinet
82439	1	Rear wall el-cabinet
82441	1	Bottom plate el-cabinet
82442	1	Top plate, el-cabinet
82443	1	Hatch, el-cabinet
82637	2	Hinge, heavy duty, alu
82638	12	Poprivet, stainless, 4,8x12
82464	1	Mount for 4G antenna



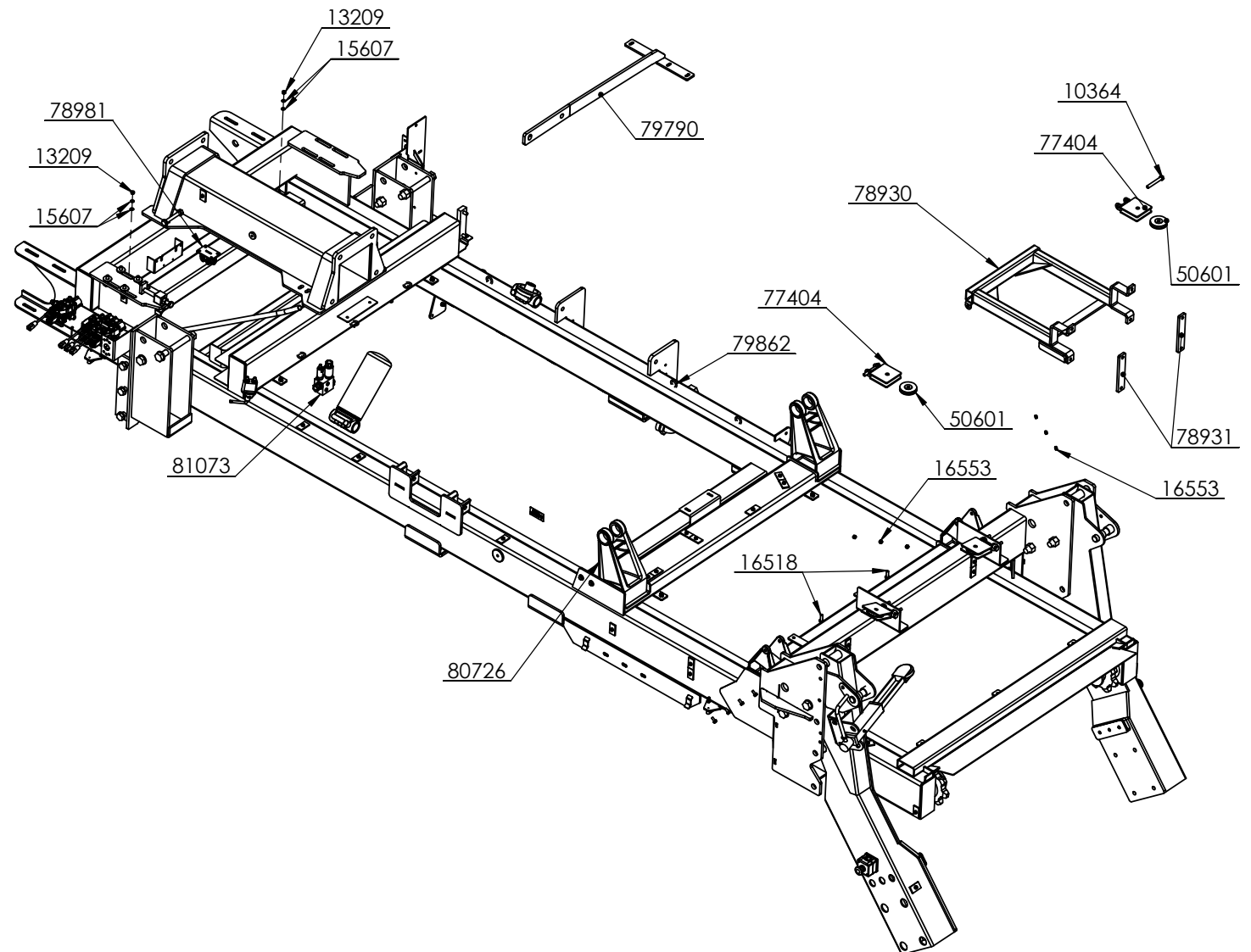
Part number	Qty	Description
10244	16	Bolt M8 x 20 DIN 933 8.8 FZV
10246	8	Bolt M8 x 25 DIN 933 8.8 FZV
10346	2	Bolt M12 x 25 DIN 933 8.8 FZV
10667	8	Bolt M24x200
12047	44	Washer 8,4 DIN 125A -140HV FZV
12072	8	Washer 15 DIN 125A -140HV FZV
12093	8	Washer 25 DIN 125A -140HV FZV
12173	8	Washer $\varnothing 24/8,4 \times 2$
13212	4	Lock nut M14
13217	8	Lock nut M24
15030	4	Eye bolt M10x30
50601	4	Wire-pulley $\varnothing 75 \times 16$
59015	2	Cover, plastic
77157	2	Cover bracket right
77158	2	Cover bracket left
77347	2	Hydraulic jack
77404	4	Pulley holder
78428	4	Bolt M14x110
78839	1	Parking brake
59177	6	Adaptor 3/8"-1/4"
35011	2	Fitting 1/2" utv. x 3/8" utv.
77599	8	Clamp



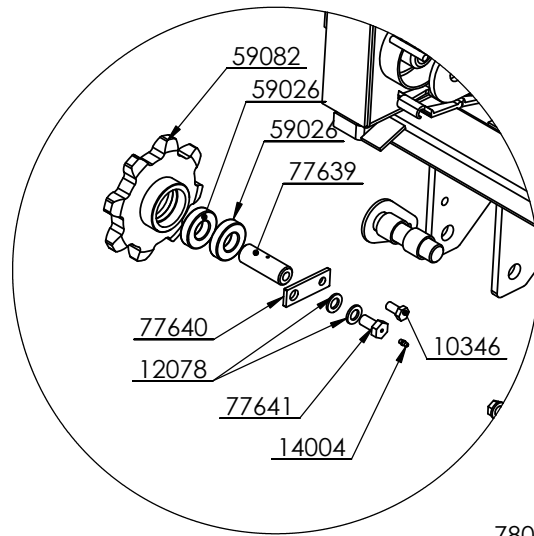
Part number	Qty	Description
10244	16	Bolt M8 x 20 DIN 933 8.8 FZV
10246	8	Bolt M8 x 25 DIN 933 8.8 FZV
10354	8	Bolt M12 x 45 DIN 931 8.8 FZV
10364	4	Bolt M12 x 90 DIN 931 8.8 FZV
10507	2	Bolt M16 x 150 DIN 933 8.8 FZV
11457	6	Truss-head screw M6x12
12047	44	Washer 8,4 DIN 125A -140HV FZV
12173	8	Washer ø24/8,4x2
12178	16	Washer 13 x 37 x 3 DIN 9021 FZV
59015	2	Cover, plastic
59065	1	Level glass
59066	1	Filler cap
59174	2	Fitting 1 1/4" BSP / 1 1/2" BSP
59328	2	Fitting 1 1/2"
77138	2	Cylinder bracket
77157	2	Cover bracket right
77158	2	Cover bracket left
79706	1	Hydraulic tank
59578	1	Fitting 1 1/2"-1 1/2"
80022	1	Fitting 3/4"-3/4"
59268	1	Fitting 1/2"-1/2"
79743	1	Cover oil cooler
59211	2	Bulkhead fitting 30 strong
59203	1	Bulkhead fitting 1/4"
59245	2	Bulkhead fitting 3/8"
80711	1	Bulkhead fitting 3/4"
79749	1	Bracket, oil cooler
79793	1	Front bracket, oil cooler
79794	1	Rear bracket, oil cooler
79797	1	Cover above oil cooler
79798	1	Cover above pump
79800	1	Cover, front hydraulic tank
77230	4	Chamber support bracket
81199	1	Oil cooler
81376	1	Thermostat
82129	1	Safety lock, support PTO drive shaft
81623	3	Fan for oil cooler 81199



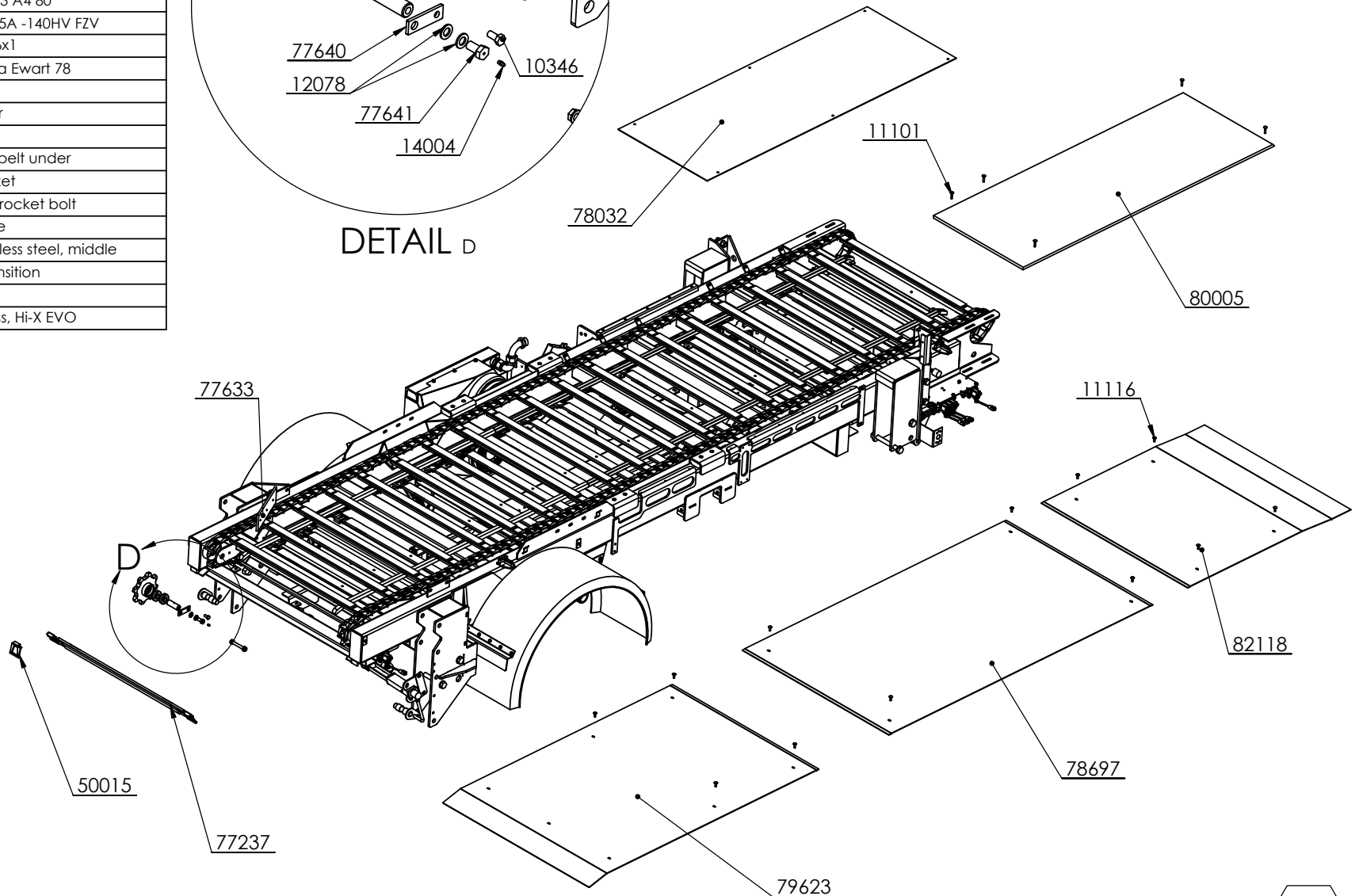
Part number	Qty	Description
10346	2	Bolt M12 x 25 DIN 933 8.8 FZV
13209	38	Lock nut M8
15607	22	Washer M8, rust free
50601	4	Wire-pulley ø75x16
77404	4	Pulley holder
78930	1	Bracket, parking brake
78931	2	Clamp plate, bracket, parking brake
78981	1	Double tee-connection
79790	1	Support rod
80726	1	Bracket kit
16518	4	Bolt M10x30, threaded to head, black
16553	6	Nut M8, black
82464	1	Mount for 4G antenna
81073	1	Valve block assembly, with 24V coil

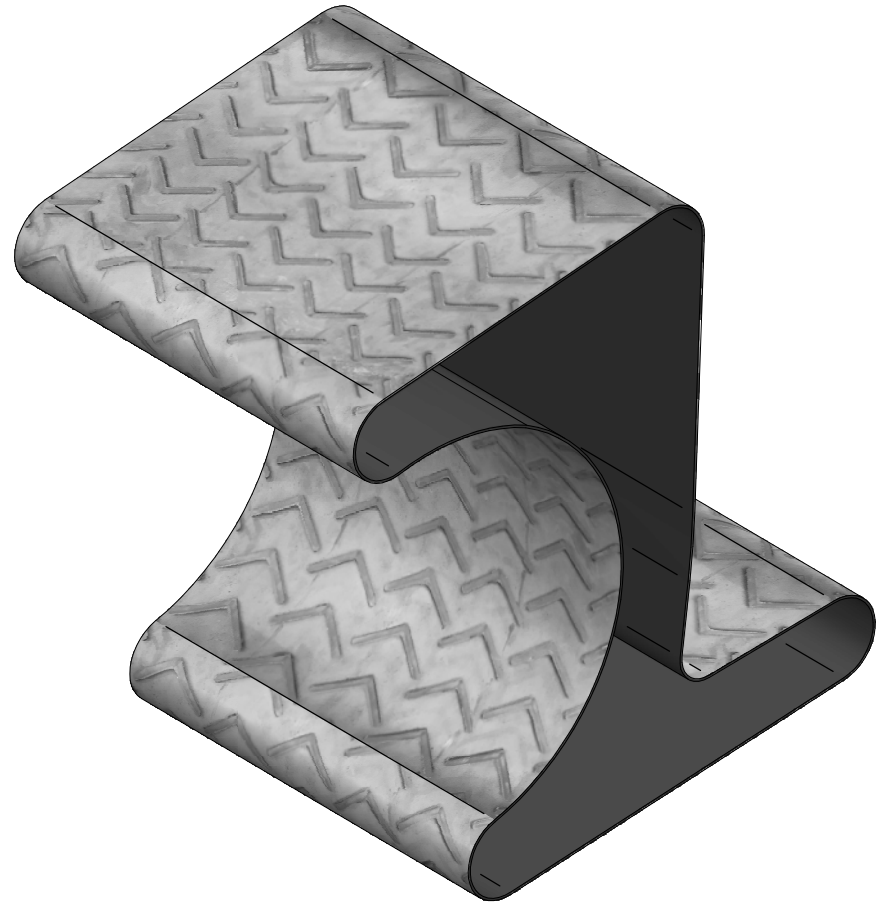
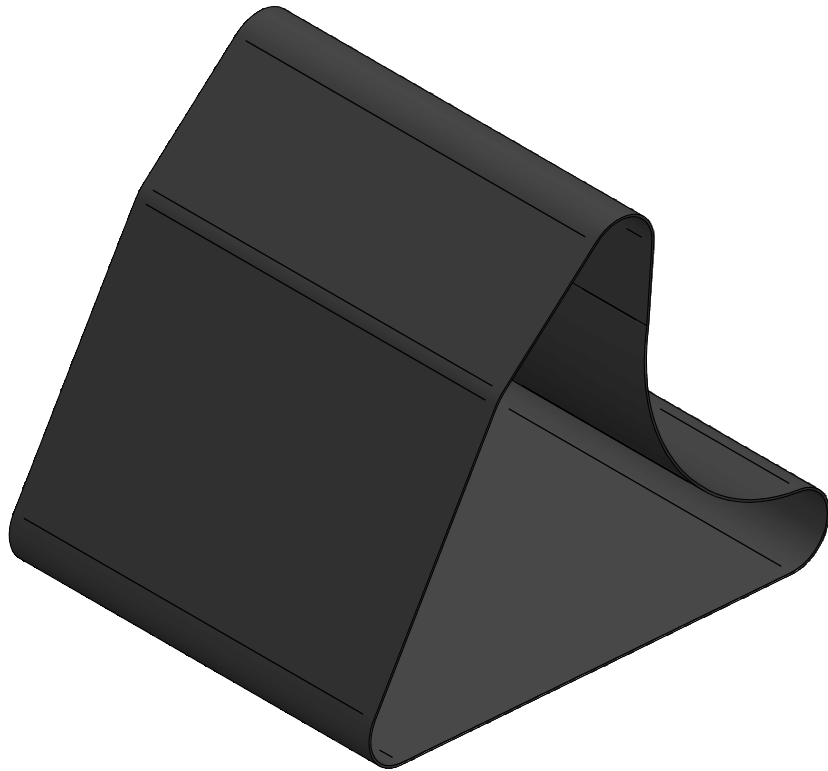


Part number	Qty	Description
10346	2	Bolt M12 x 25 DIN 933 8.8 FZV
11101	5	Bolt M8x40 DIN 603 A4 80
11116	12	Bolt M8x25 DIN 603 A4 80
12078	4	Washer 17 DIN 125A -140HV FZV
14004	2	Grease nipple M6x1
50015	248	Chain link Kohlsua Ewart 78
59026	4	Bearing 6206 2RS
59082	2	Sprocket, impeller
77237	41	Carrier
77633	2	Rubber, scraper, belt under
77639	2	Bolt, chain sprocket
77640	2	Locking, chain sprocket bolt
78032	1	Wear plate, frame
78697	1	Bottom tray, stainless steel, middle
79623	1	Bottom plate, transition
80005	1	Plywood board
82118	1	Front tray, stainless, Hi-X EVO

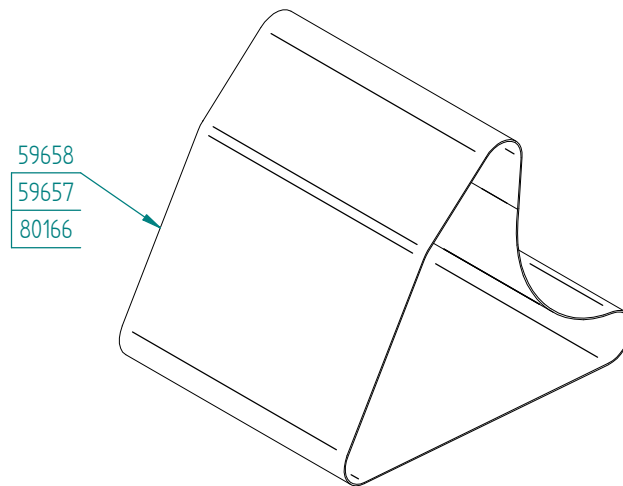
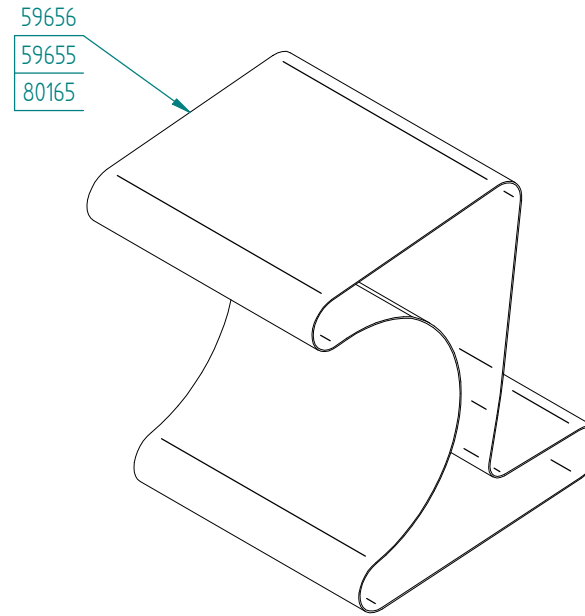


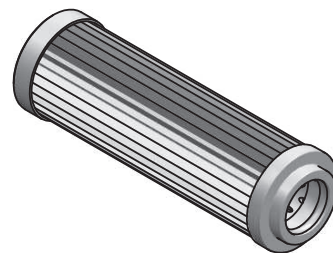
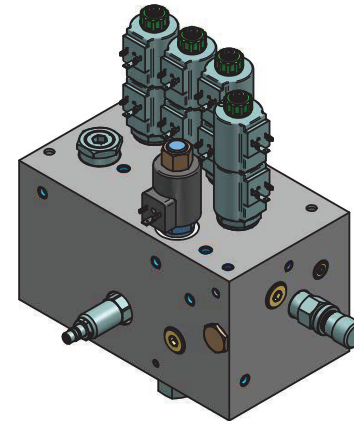
DETAIL D



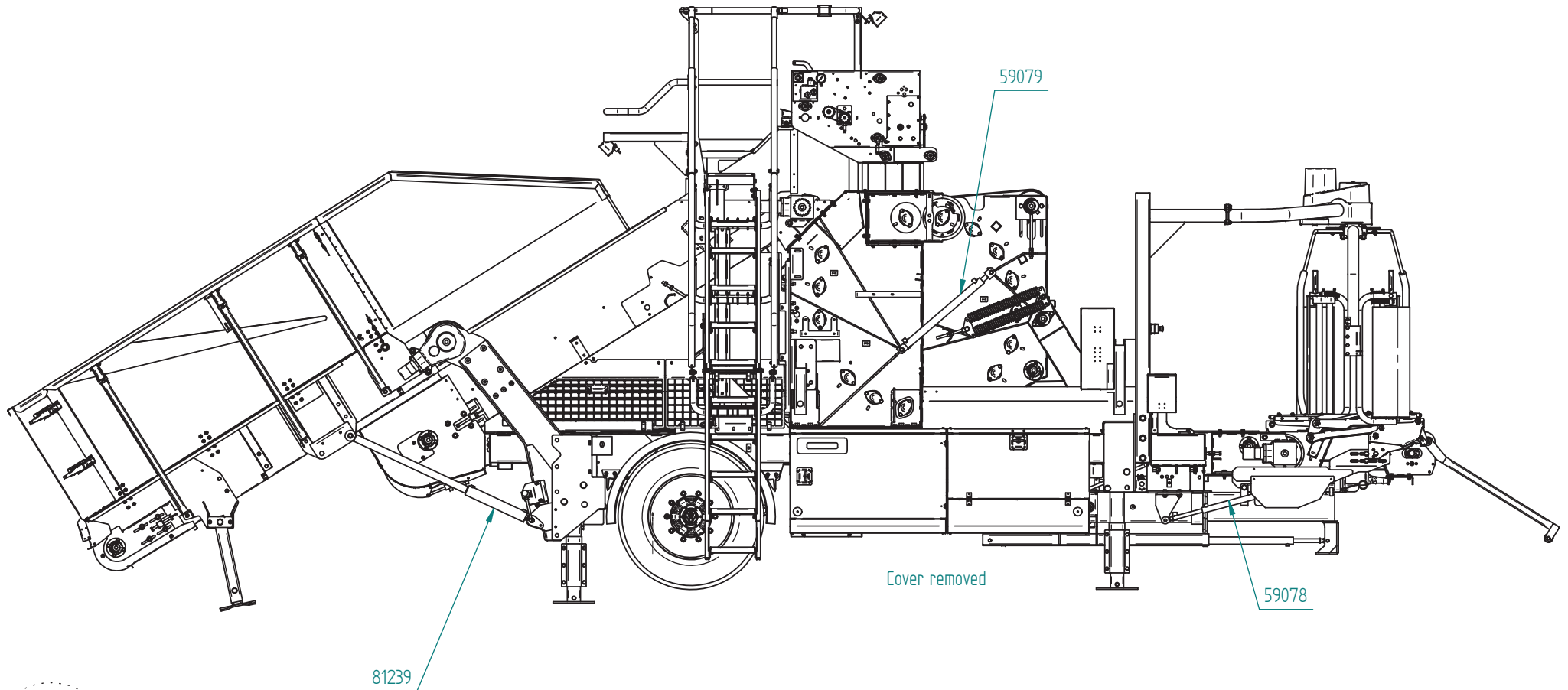


Part Number	Qty.	Title
59655	1	Belt, front chamber, w/lock, EP 500/4 3+1
59656	1	Belt, front chamber, endless, EP 500/4 3+1
59657	1	Belt, rear chamber, w/lock, EP 500/4 3+1
59658	1	Belt, rear chamber, endless, EP 500/4 3+1
59786	1	Alligator clip, mechanical belt lock w/tools (not shown)
80165	1	Belt, front chamber, w/lock, oil resistant, CHEV 400/2 3+1.5
80166	1	Belt, rear chamber, w/lock, oil resistant, CHEV 400/2 3+1.5

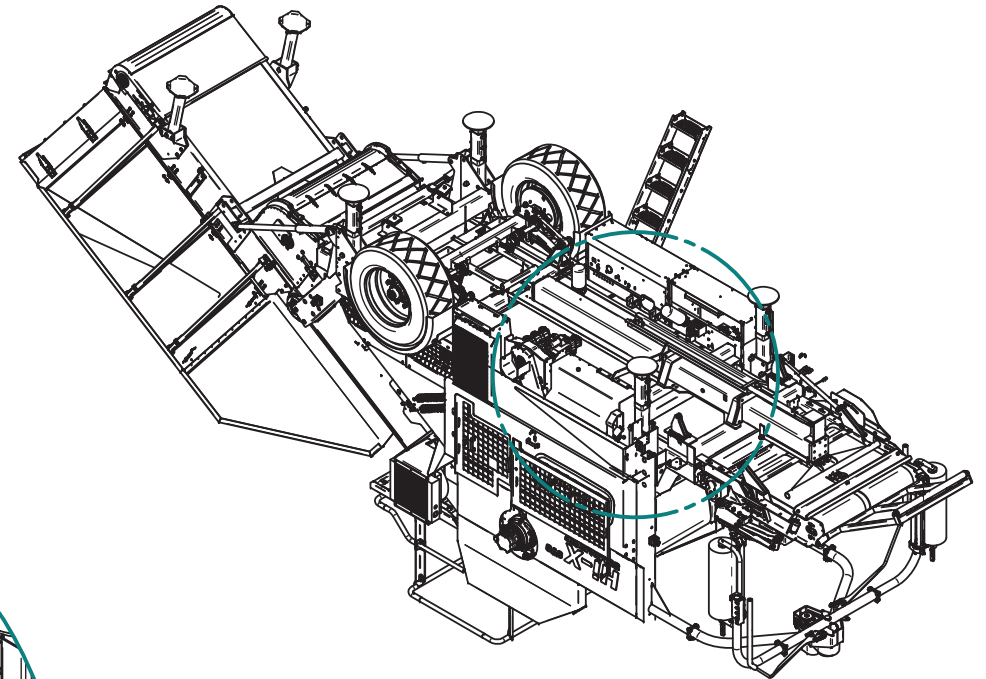
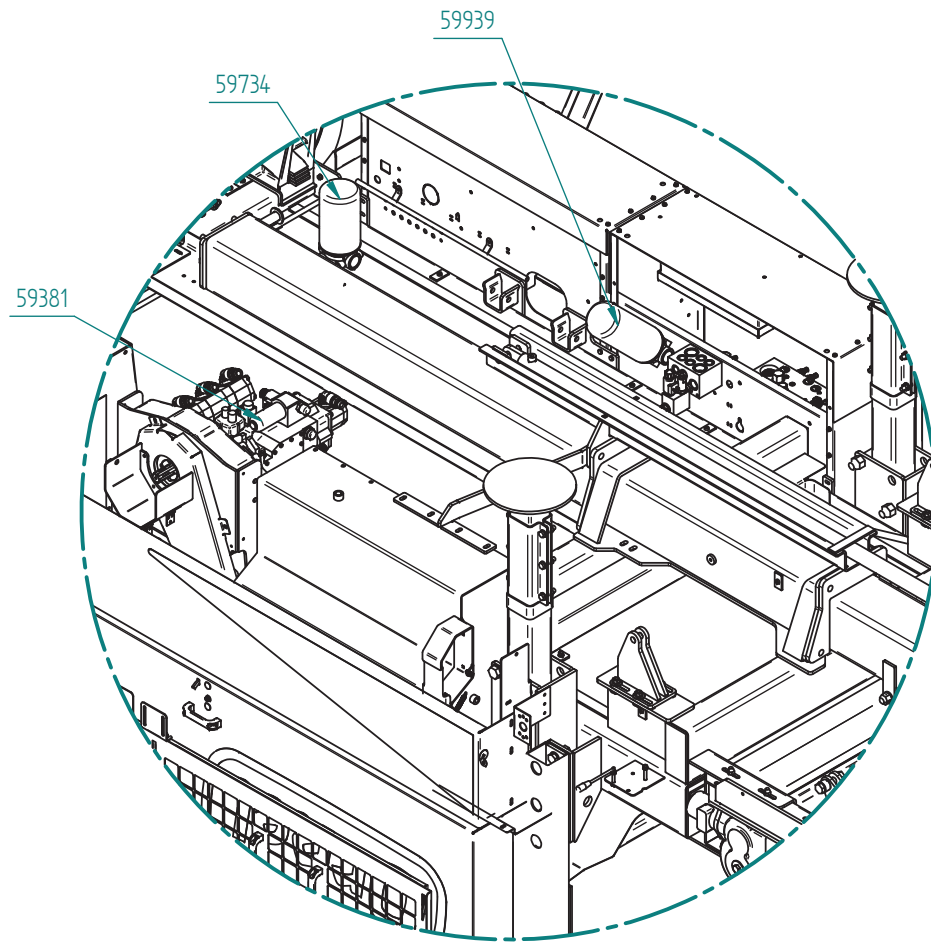




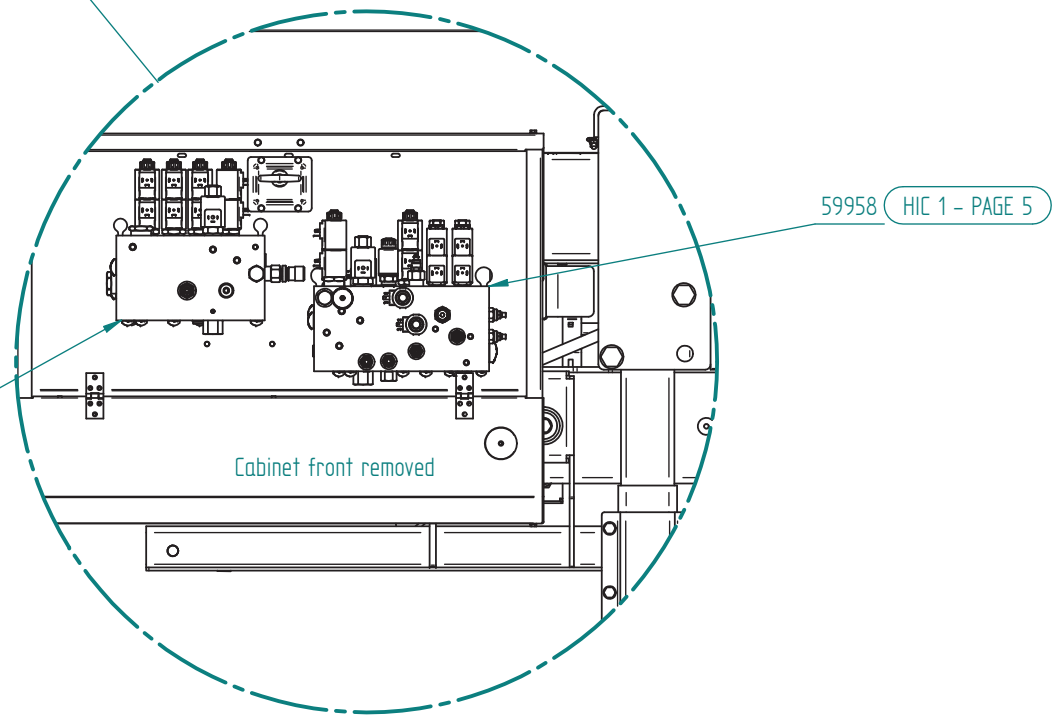
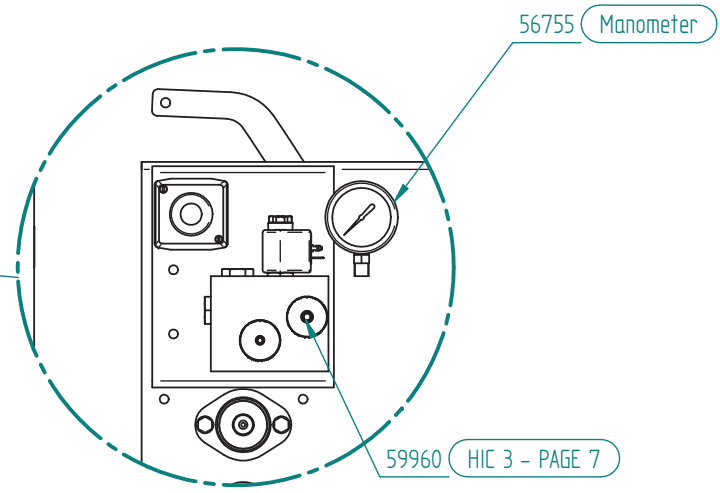
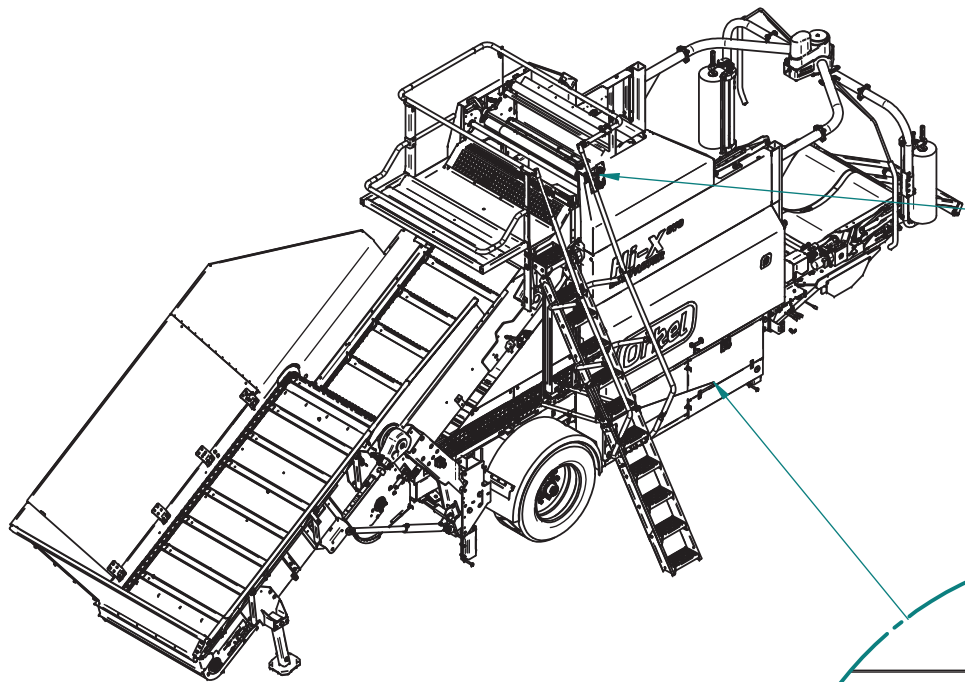
Part Number	Qty.	Title
59078	1	Cylinder 40x25x400
59079	1	Cylinder 50x30x600
81239	2	Cylinder 70/60x35x400mm



Part Number	Qty.	Title
59381	1	Filter element, pressure
59734	1	Suction filter
59939	1	Filter element, low pressure

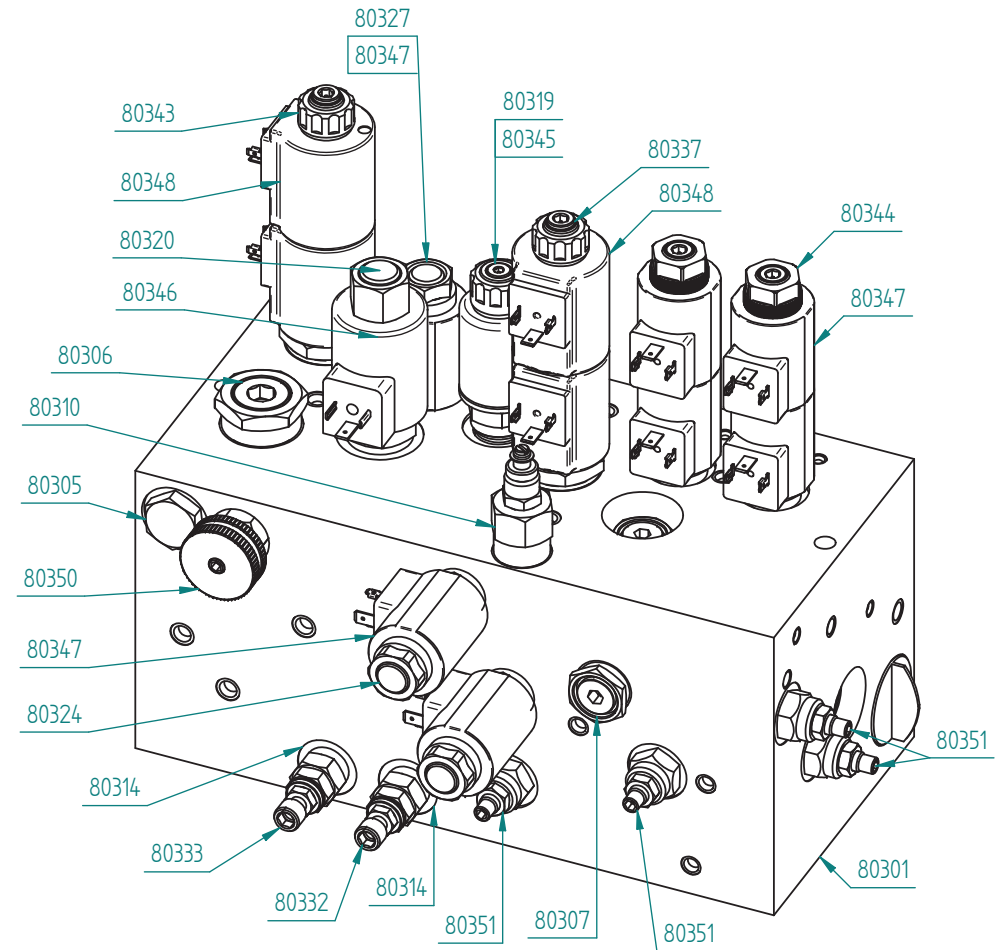
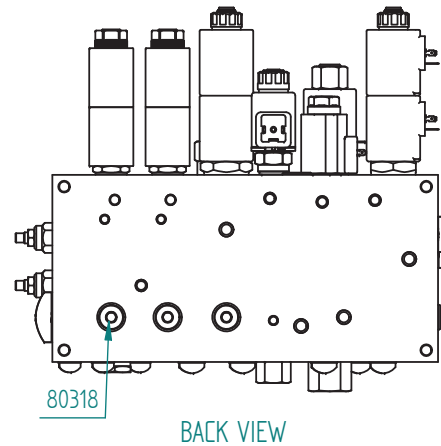
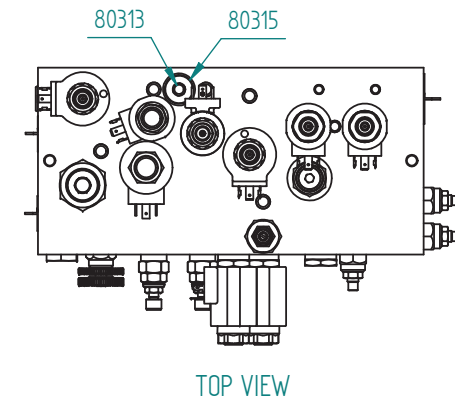
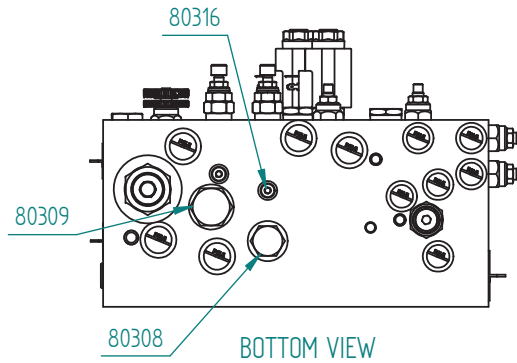


Filters

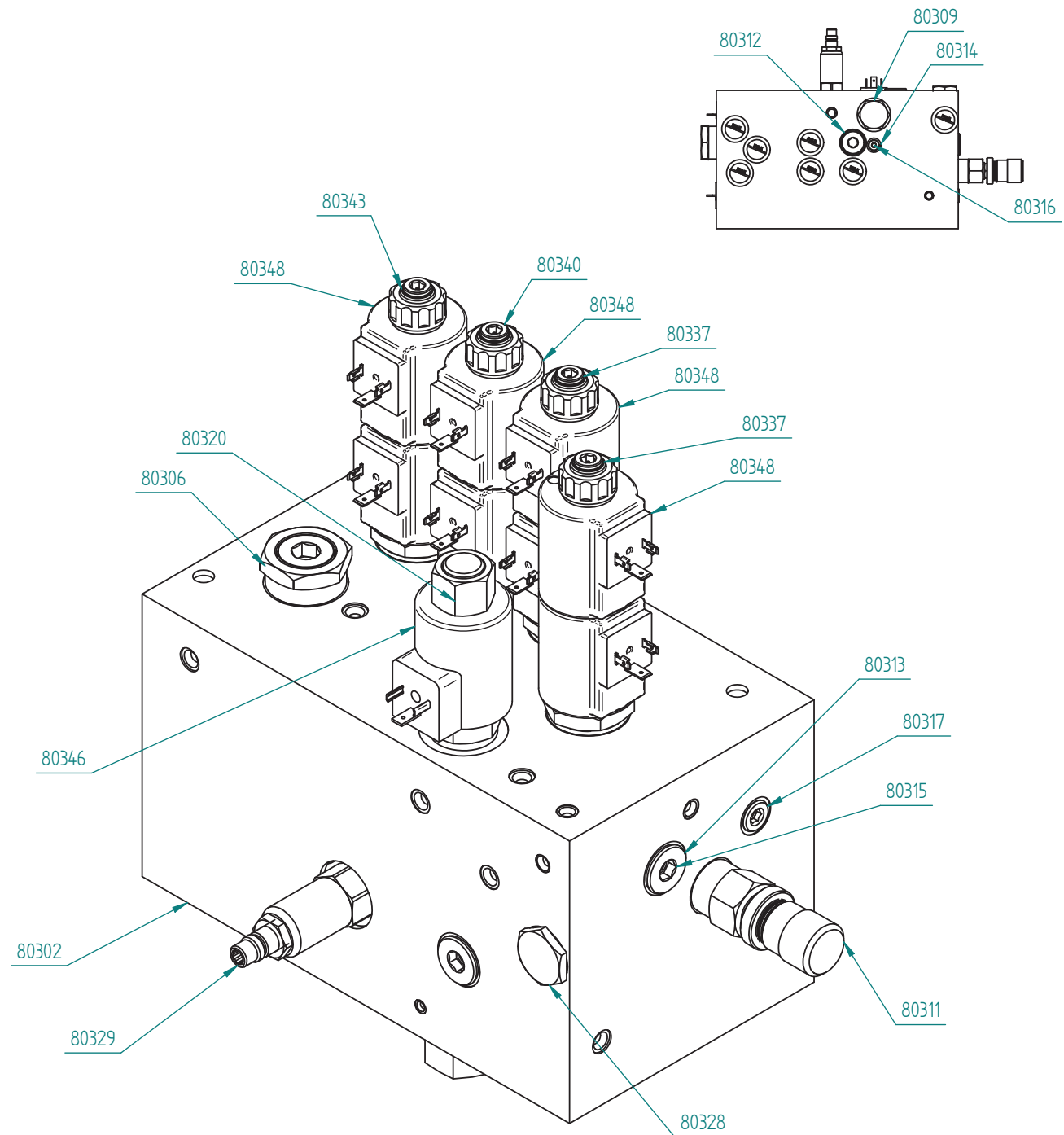


Hydraulic manifolds

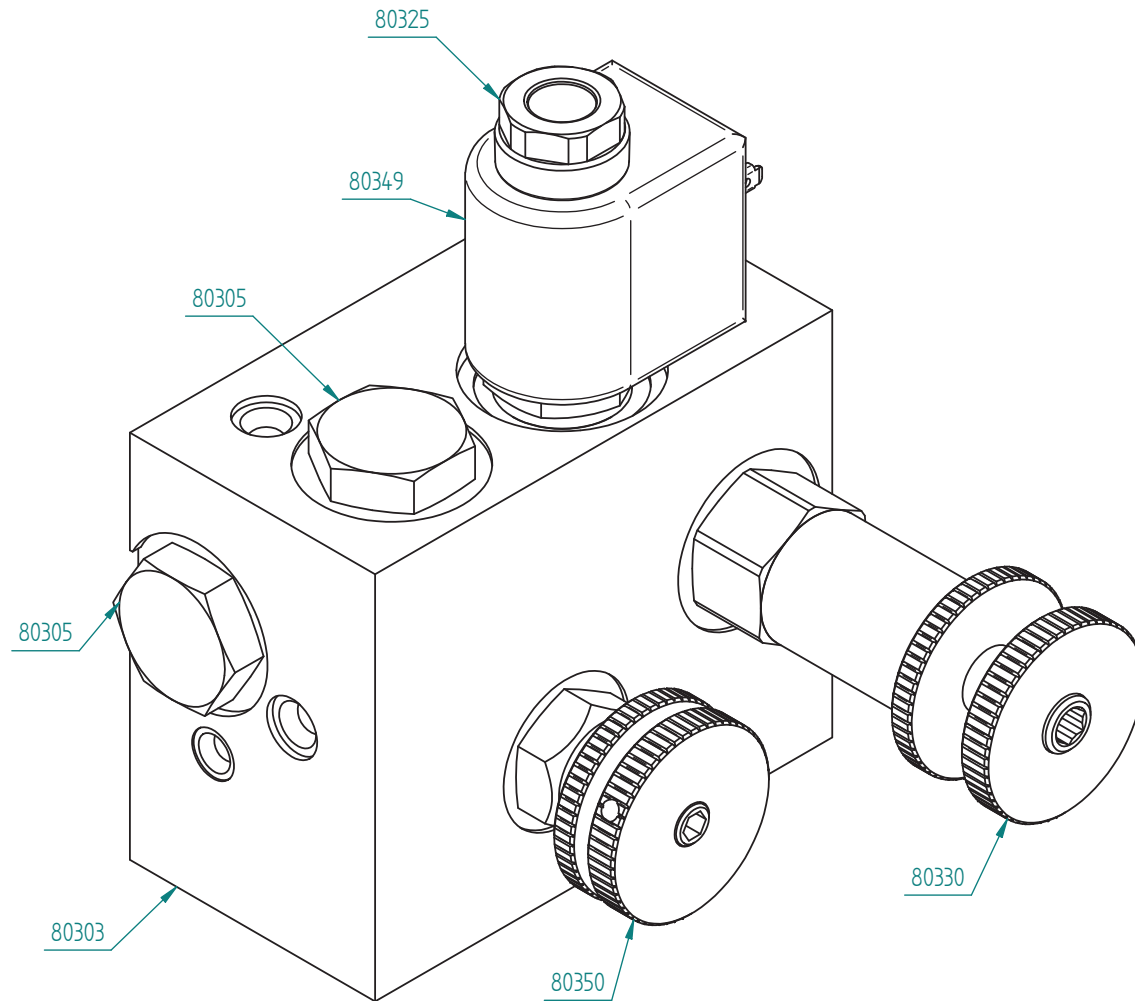
Part Number	Qty.	Title
59958	1	Hydraulic manifold HIC 1 complete
80301	1	Body HIC 1
80305	1	Check valve
80306	2	Check valve, piloted, 90 lpm
80307	4	Check valve, piloted, 35 lpm
80308	1	Compensator, 7 bar, size 10
80309	1	Compensator, 7 bar, size 12
80310	1	Flow control valve 15 lpm
80313	1	Plug 3/8" (inside body)
80314	4	Orifice screw M8x1 (inside body)
80315	1	Plug SAE 10
80316	2	Plug SAE 4
80318	4	Plug SAE 8
80319	1	Proportional valve 40 lpm
80320	1	Proportional valve 60 lpm
80324	2	Poppet valve, NC
80327	1	Poppet valve, NC, one way free flow
80332	1	Relief valve D0 150 bar
80333	1	Relief valve D0 170 bar
80337	1	Spool valve 3-pos, 2T+U
80343	1	Spool valve 3-pos, Y
80344	2	Spool valve 3-pos, Y
80345	1	Coil for PSV10
80346	1	Coil for PSV12
80347	7	Coil for SV10, SVP10, EVK06
80348	4	Coil for SV15
80350	1	Restrictor valve 10 lpm (knob)
80351	4	Restrictor valve 10 lpm (key)



Part Number	Qty.	Title
59959	1	Hydraulic manifold HIC 2 complete
80302	1	1 Body HIC 2
80306	2	Check valve, piloted
80309	1	Compensator, 7 bar, 12
80311	1	Flow control valve 30 lpm
80312	1	Plug 1/2"
80313	1	Plug 3/8" (inside body)
80314	2	Orifice screw M8x1 (inside body)
80315	2	Plugg, SAE 10
80316	1	Plugg, SAE 4
80317	1	Plug, SAE 6
80320	1	Proportional valve, 60 lpm
80328	1	Shuttle valve
80329	1	Relief valve 40-250 bar
80337	2	Spool valve 3-pos, 2T+U
80340	1	Spool valve 3-pos, 4T
80343	1	Spool valve 3-pos, Y
80346	1	Coil for PSV12
80348	8	Coil for SV15



Part Number	Qty.	Title
59960	1	Comatrol HIC3 (net/film system) complete
80303	1	Body HIC 3
80305	2	Check valve
80325	1	Poppet valve, NC
80330	1	Relief valve 7-55 bar
80349	1	Coil for SVP08
80350	1	Restrictor valve 10 lpm (knob)



<i>General hydraulic hoses</i>		
Part Number	Qty.	Title
57272	2	Hydr.SL 3/8" 2SN L=550
59139	1	Hydr.sl. 1/2" 2SN L=800
59291	1	Hydr.sl. 1/4" 2SN L=1190
59309	2	Hydr.sl. 1/4" 2SN L=390
59309	2	Hydr.sl. 1/4" 2SN L=390
59540	2	Hydr.SL. 3/8" 2SN L=1240
59628	1	Hydr.SL. 3/8" 2SN L=355 2012-
59669	1	Hydr.SL. 3/8" 2SN L=400
59669	1	Hydr.SL. 3/8" 2SN L=400
59670	1	Hydr.SL. 3/8" 2SN L=2800
59672	1	Hydr.sl. 1/4" 2SN L=350
59673	1	Hydr.sl. 1/4" 2SN L=500
59674	2	Hydr.SL. 3/8" 2SN L=850
80117	1	Hydr.SL. 3/4" 1SN L=760
80118	1	Hydr.SL. 3/4" 1SN L=760
80120	1	Hydr.SL. 1 1/2" 1SN L=2450
80124	1	Hydr.SL. 3/8" 2SN L=1550
80124	1	Hydr.SL. 3/8" 2SN L=1550
80129	1	Hydr.SL. 1/4" 2SN L=5000

<i>General hydraulic hoses</i>		
Part Number	Qty.	Title
80129	1	Hydr.SL. 1/4" 2SN L=5000
80130	1	Hydr.SL. 1/4" 2SN L=4890
80130	1	Hydr.SL. 1/4" 2SN L=4890
80134	1	Hydr.SL. 1/2" 2SN L=3970
80136	2	Hydr.SL. 1/4" 2SN L=1400
80137	1	Hydr.SL. 1/4" 2SN L=1600
80824	2	Hydr.SL. 1/4" 2SN L=2640
80824	2	Hydr.SL. 1/4" 2SN L=2640
80935	1	Hydr.SL. 3/8" 2SN L=1330
81006	1	Hydr.SL. 1/4" 2SN L=580
81029	2	Hydr.SL. 3/8" 2SN L=2360
81097	1	Hydr.SL. 1/4" 2SN L=2800
81098	1	Hydr.sl. 1/4" 2SN L=2750
81099	2	Hydr.sl. 1/4" 2SN L=4100
81100	1	Hydr.SL. 3/8" 2SN L=2210
81101	1	Hydr.SL. 3/8" 2SN L=2010
81102	2	Hydr.SL. 3/8" 2SN L=3710
81145	1	Hydr.SL. 3/8" 2SN L=2970
81146	1	Hydr.SL. 3/8" 2SN L=2090
81209	1	Hydr.SL. 1/2" 2SN L=3750

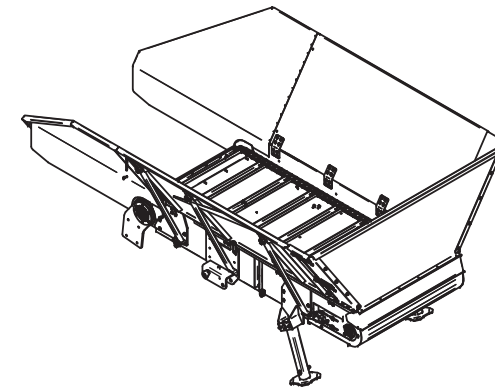
<i>General hydraulic hoses</i>		
Part Number	Qty.	Title
81245	1	Hydr.SL. 1/4" 2SN L=1570
81246	1	Hydr.SL. 1/4" 2SN L=1525
81281	2	Hydr.SL. 1/4" 2SN L=850
81282	2	Hydr.SL. 1/4" 2SN L=1380
81301	1	Hydr.SL. 1/4" 2SN L=3630
81302	2	Hydr.SL. 3/8" 2SN L=3650
81303	1	Hydr.SL. 1/4" 2SN L=3700
81304	1	Hydr.SL. 3/8" 2SN L=3810
81356	1	Hydr.SL. 1 1/2" 1SN L=670
81362	1	Hydr.SL. 3/8" 2SN L=580
81363	2	Hydr.SL. 1" 4SH L=1480
81364	1	Hydr.sl. 3/4" 1SN L=525
81365	1	Hydr.SL. 1/2" 2SN L=2570
81366	2	Hydr.sl. 1/4" 2SN L=1225
81367	1	Hydr.SL. 3/8" 2SN L=3150
81390	3	Hydr.SL. 1/4" 2SN L=295
81391	3	Hydr.SL. 1/4" 2SN L=338
81392	1	Hydr.SL. 1/4" 2SN L=560
81393	2	Hydr.SL. 3/8" 2SN L=363
81443	1	Hydr.SL. 1/4" 2SN L=2550



All hydraulic hoses are marked with part number

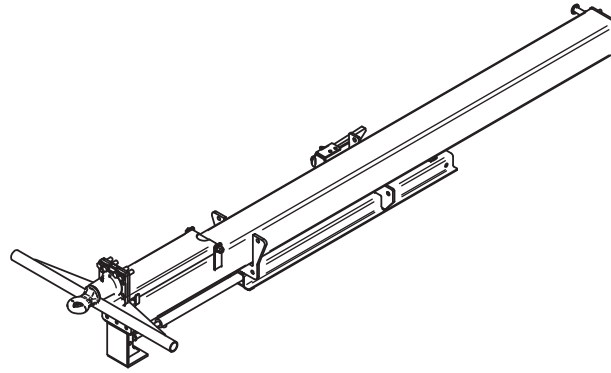
<i>General hydraulic hoses</i>		
Part Number	Qty.	Title
81444	1	Hydr.SL. 1/4" 2SN L=2560
81445	1	Hydr.SL. 3/8" 2SN L=2855
81447	1	Hydr.SL. 1/4" 2SN L=3550
81448	1	Hydr.SL. 1/4" 2SN L=3590
81465	1	Hydr.SL. 1/4 2SN L=5000
81468	1	Hydr.SL. 3/8" 2SN L=3020
81481	1	Hydr.SL. 3/8" 2SN L=3010
81483	1	Hydr.SL. 3/8" 2SN L=660
81484	1	Hydr.SL. 3/8" 2SN L=935
81485	1	Hydr.SL. 1/2" 2SN L=570
81486	1	Hydr.SL. 1/2" 2SN L=1150
81487	1	Hydr.SL. 3/8" 2SN L=1195
81488	1	Hydr.SL. 1/4" 2SN L=1450
81490	2	Hydr.SL. 1/4" 2SN L=2940
81491	2	Hydr.SL. 1/4" 2SN L=3840

<i>Hydraulic hoses for feed hopper F10 evo</i>		
Part Number	Qty.	Title
81455	2	Hydr.SL. 1/4" 2SN L=765
81456	2	Hydr.SL. 1/4" 2SN L=550
81457	1	Hydr.SL. 1/4" 2SN L=2985
81458	1	Hydr.SL. 1/4" 2SN L=3015
81463	1	Hydr.SL. 3/8" 2SN L=5550
81464	1	Hydr.SL. 3/8" 2SN L=5335
81492	1	Hydr.SL. 1/4" 2SN L=5400
81493	1	Hydr.SL. 1/4" 2SN L=5185
81494	1	Hydr.SL. 1/4" 2SN L=3820
81495	1	Hydr.SL. 1/4" 2SN L=3945

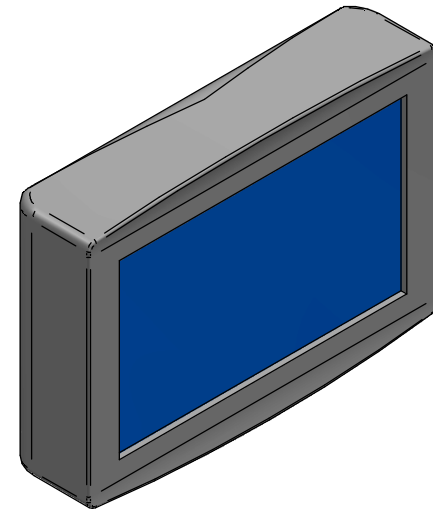
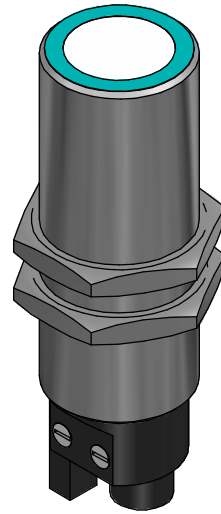
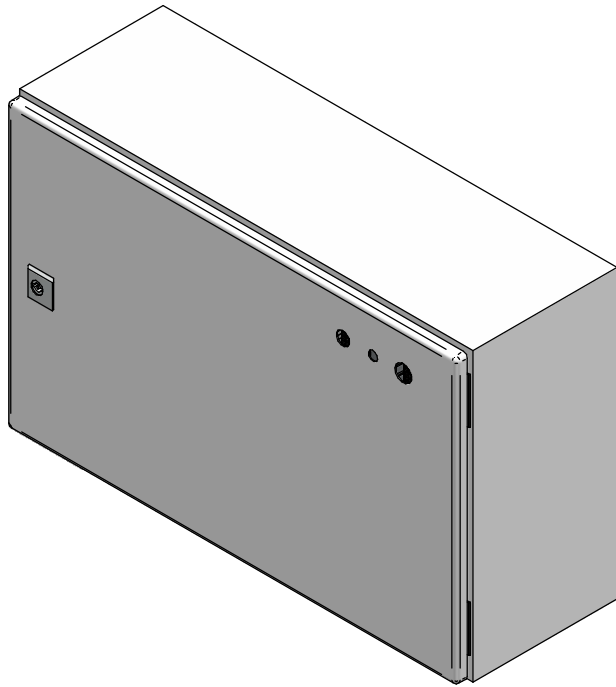


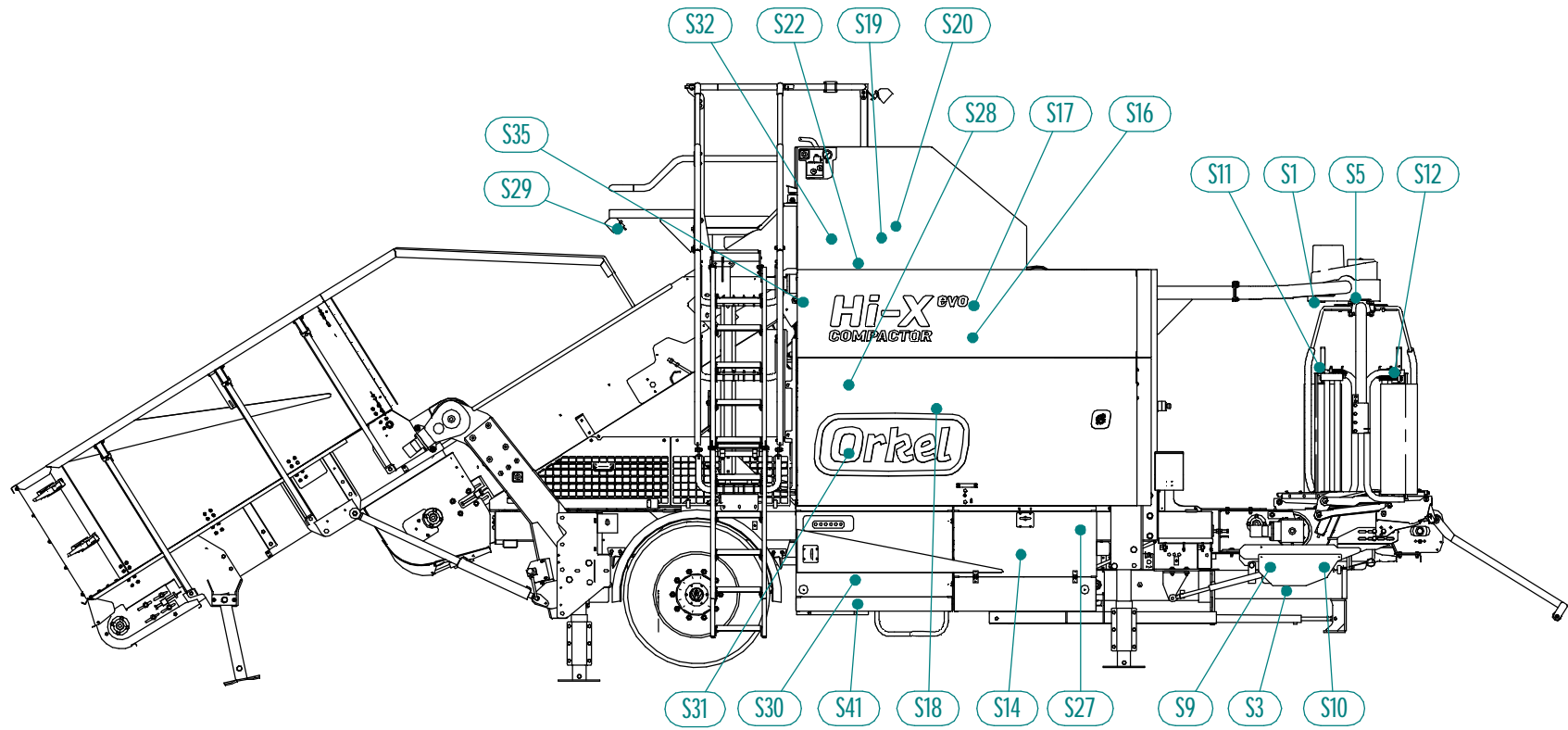
All hydraulic hoses are marked with part number

<i>Hydraulic hoses for telescopic drawbar</i>		
Part Number	Qty.	Title
59156	1	Hydr.sl. 1/2" 2SN L=2270
59308	2	Hydr.sl. 1/4" 2SN L=2450
59666	1	Hydr.SL. 3/8" 2SN L=7300
80827	1	Hydr.SL. 1" 1SN L=1610
80828	1	Hydr.SL. 1" 1SN L=1700
80829	1	Hydr.SL. 1" 1SN L=1650
80871	2	Hydr.SL. 1" 4SH L=620
80872	1	Hydr.sl. 3/4" 1SN L=580
80922	1	Hydr.SL. 1/4" 2SN L=885
81020	1	Hydr.SL. 3/8" 2SN L=2720
81021	1	Hydr.SL. 1/2" 2SN L=2235
81207	1	Hydr.sl. 1/2" 2SN L=2370
81208	1	Hydr.sl. 1/2" 2SN L=2320
81214	1	Hydr.SL. 3/8" 2SN L=6850
81373	1	Hydr.SL. 1" 1SN L=665
81482	1	Hydr.SL. 1 1/4" 1SN L=670

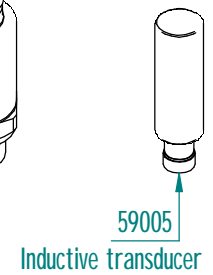
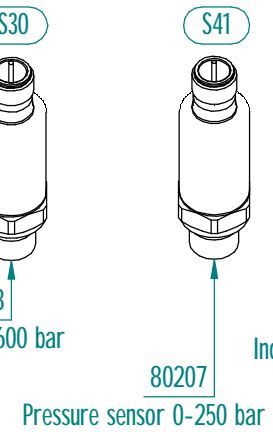
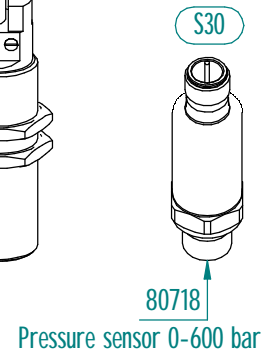
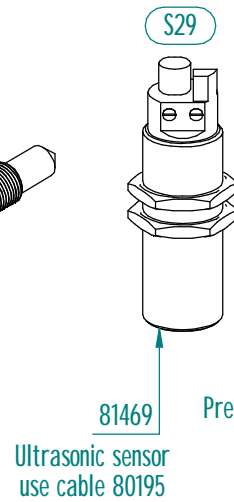
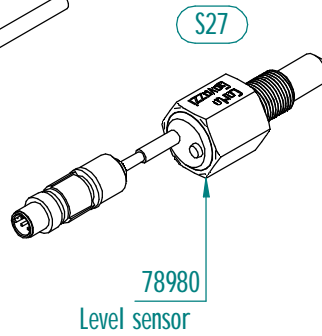
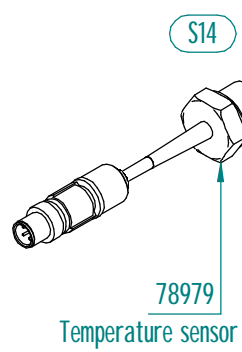
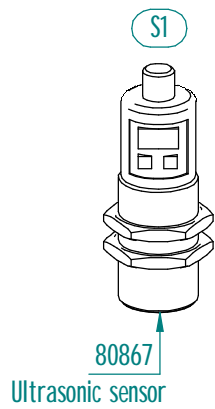


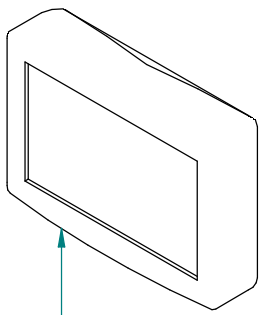
All hydraulic hoses are marked with part number



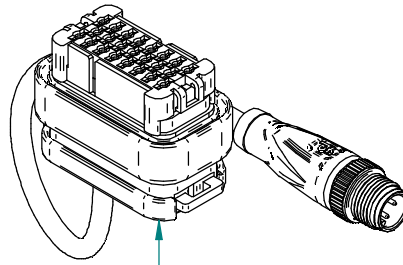


Sensors

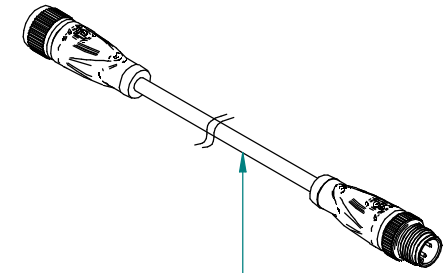




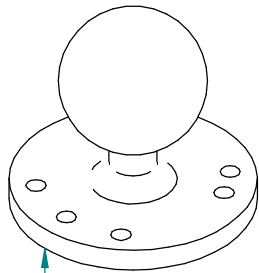
59985 Display unit



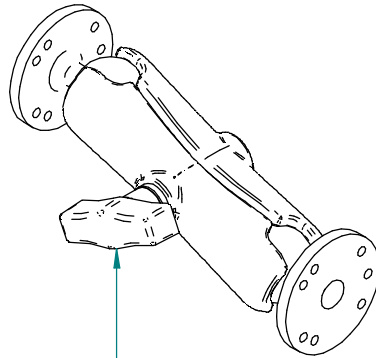
80733 Adapter cable AMPSEAL - M12



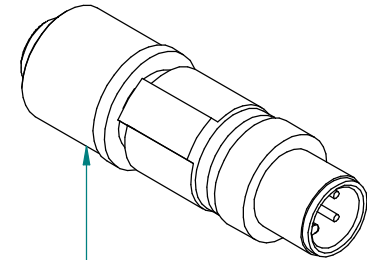
81306 Connection cable, 5 meter



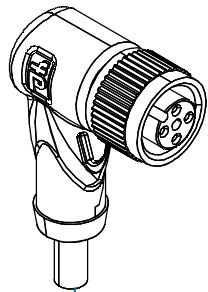
80505 RAM-fastener, foot



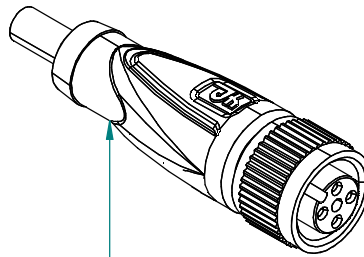
80504 RAM-fastener, complete



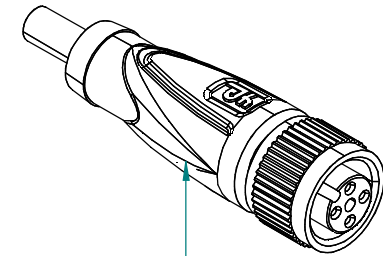
80202 M12-contact Quickon



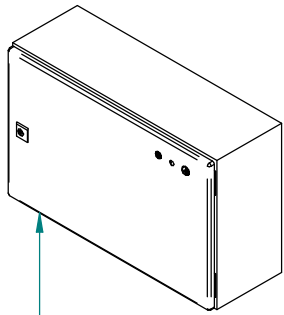
59007 Sensor cable



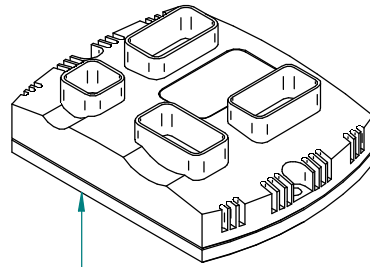
80195 Cable 5-lead for sensor 81469



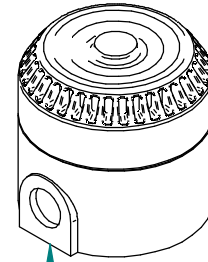
59006 Sensor cable 4-lead



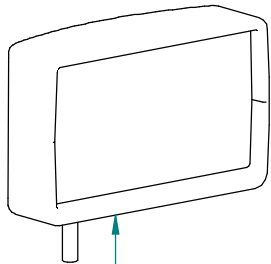
80107 Cabinet for control system, complete



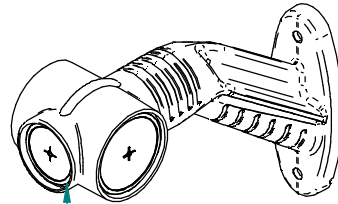
59943 Control unit



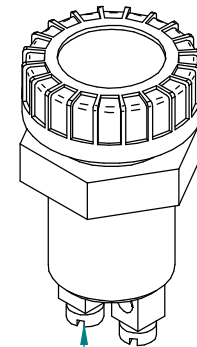
80115 Siren



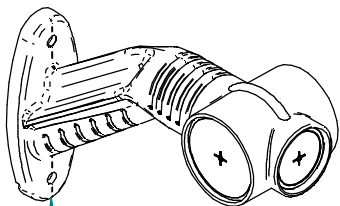
59581 Flood light



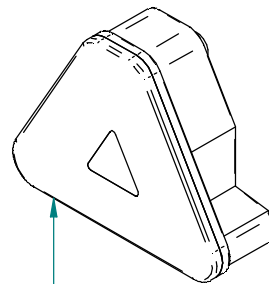
81038 Marker light, left LED



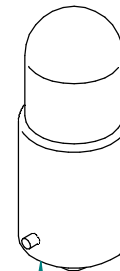
59984 Charging indicator lamp



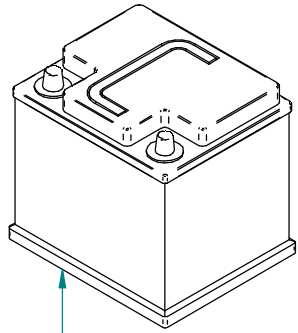
81039 Marker light, right LED



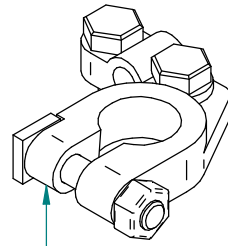
81037 Agripoint Full LED 5 pin connector



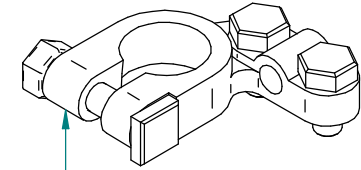
80113 Light bulb 24V 4W



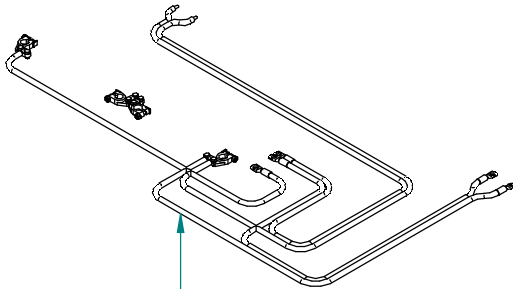
59949 Battery 12V 44Ah



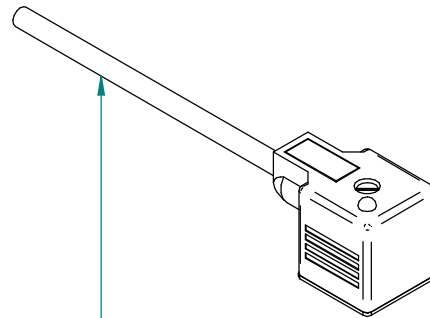
80063 Battery terminal shoe, minus



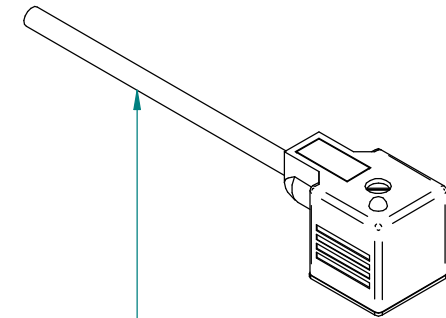
80064 Battery terminal shoe, plus



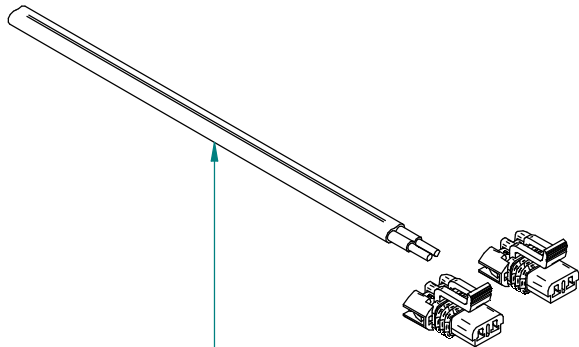
80066 Battery bridge cable



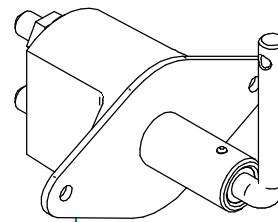
59310 Valve cable with diode, 3 meter



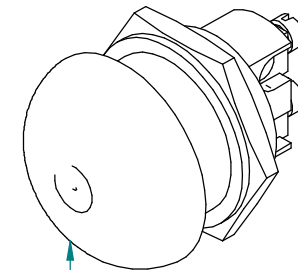
80885 Valve cable with diode, 5 meter



78166 Cable for cooling fan



81074 Main power switch

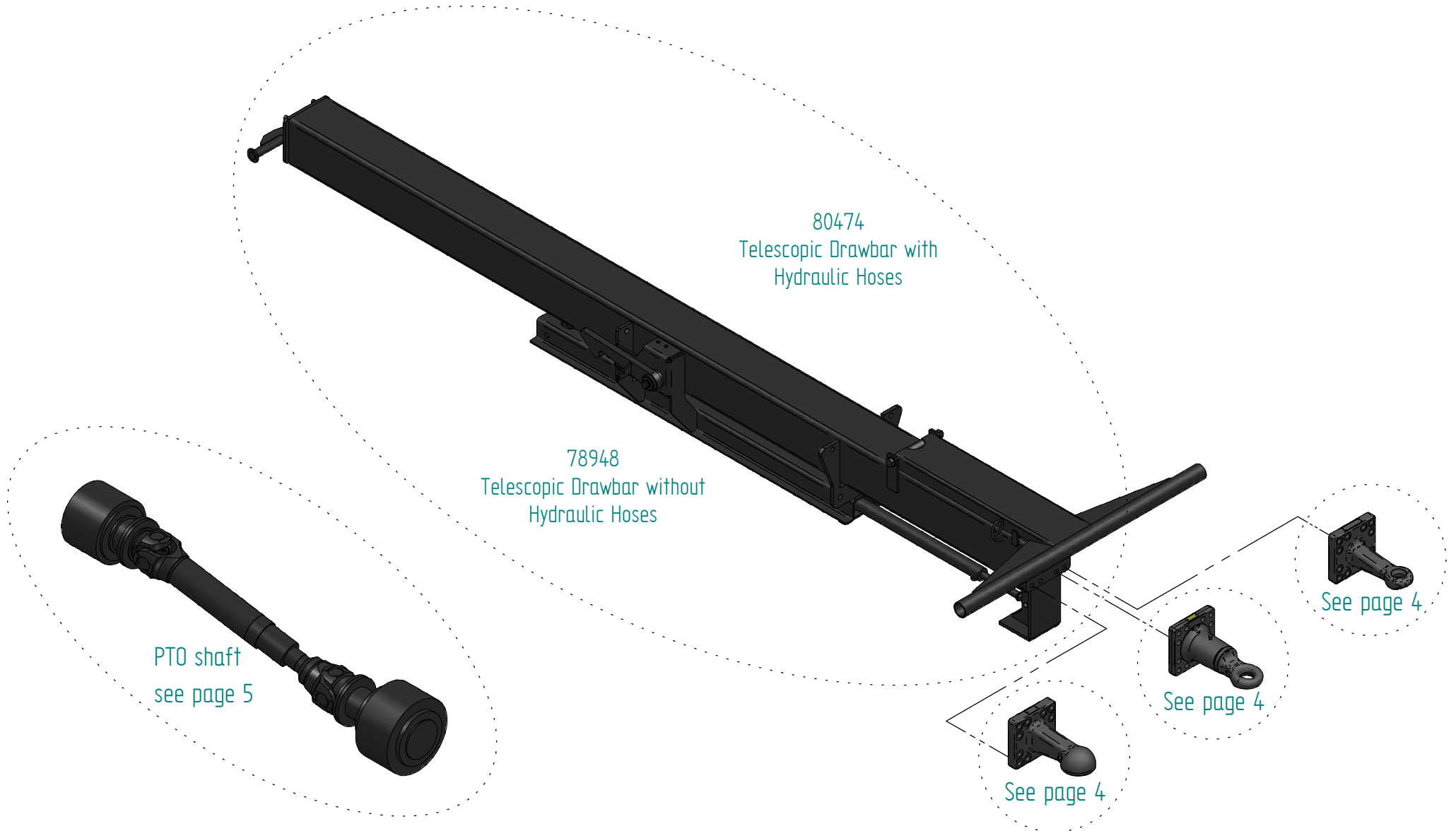


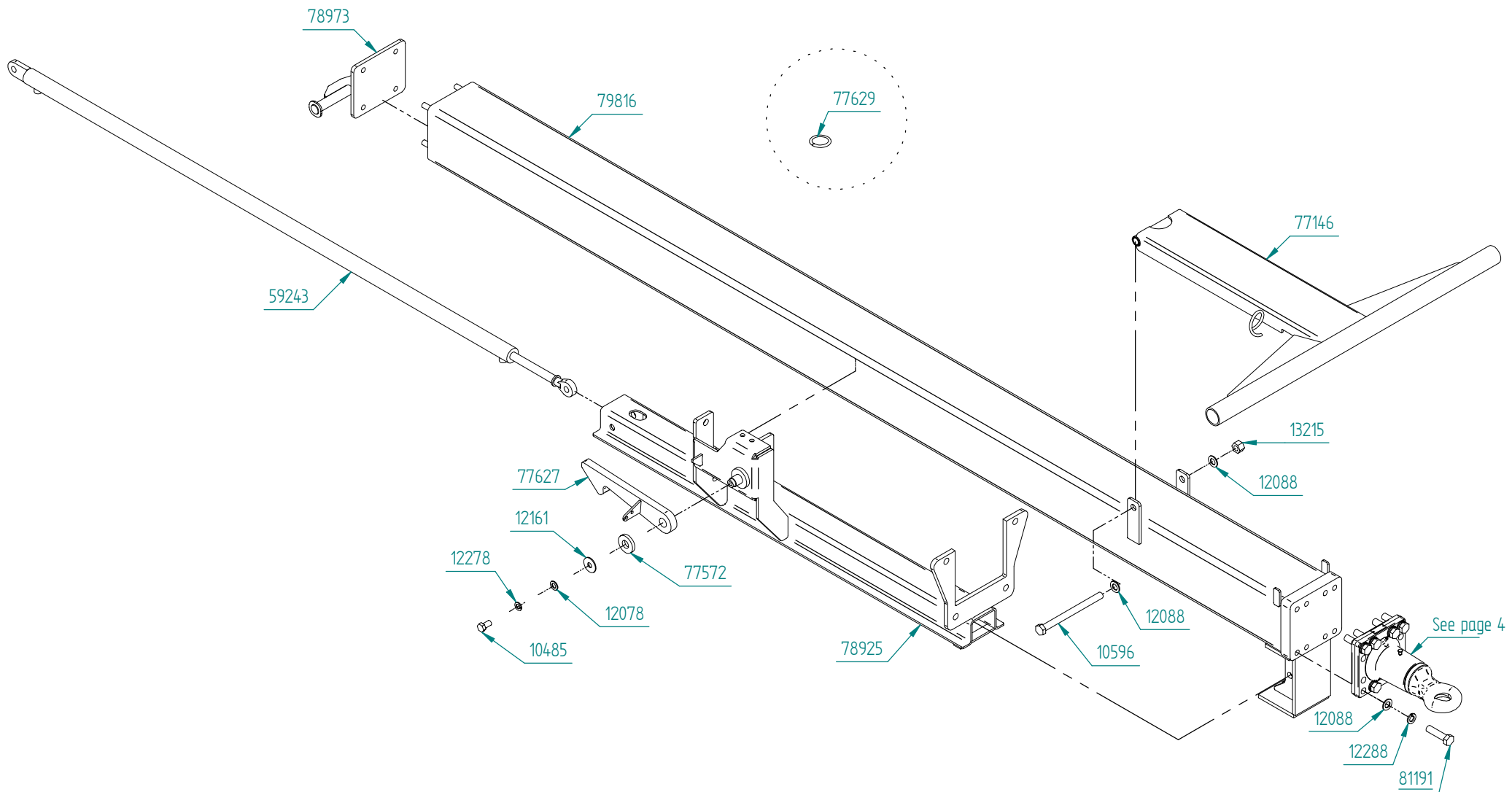
59045 Switch

Part Number	Qty.	Title
81306	1	Connection cable, 5 meter
59005	11	Inductive transducer
59006	11	Sensor cable 4-lead
59007	6	Sensor cable
59045	3	Switch
59310	22	Valve cable with diode, 3 meter
59581	2	Flood light
59943	2	Control unit
59949	2	Battery 12V 44Ah
59984	1	Charging indicator lamp
59985	1	Display unit
78166	1	Cable for cooling fan
78979	1	Temperature sensor
78980	1	Level sensor
80063	2	Battery terminal shoe, minus
80064	2	Battery terminal shoe, plus
80066	1	Battery bridge cable
80107	1	Electric cabinet, complete
80113	2	Light bulb 24V 4W
80115	1	Siren
80195	1	Cable 5-lead
80202	1	M12-contact Quickon
80207	1	Pressure sensor 0-250 bar

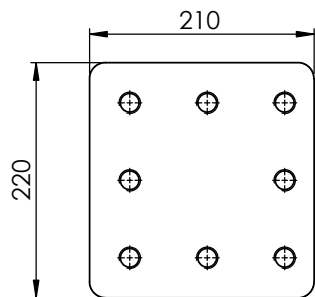
Part Number	Qty.	Title
80504	1	RAM-fastener, complete
80505	1	RAM-fastener, foot
80718	1	Pressure sensor 0-600 bar
80733	1	Adapter cable AMPSEAL - M12
80867	1	Ultrasonic sensor
80885	2	Valve cable with diode, 5 meter
81037	2	Agripoint Full LED 5 pin connector
81038	2	Marker light, left LED
81039	2	Marker light, right LED
81074	1	Main power switch
81469	1	Ultrasonic sensor

Telescopic drawbar & PTO shaft

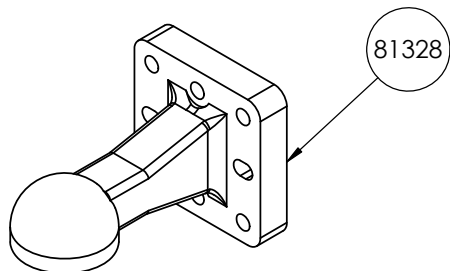




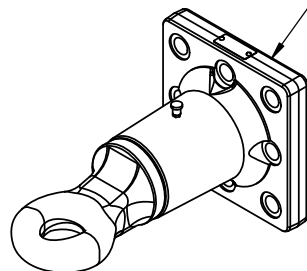
Part Number	Qty.	Title
10485	1	Bolt M16x30, threaded to head
81191	1	Bolt M20x65, set with 8 pc
10596	1	Bolt M20x250
12078	1	Washer M16
12088	10	Washer M20
12161	3	Washer \varnothing 50/17x3
12278	1	Spring washer M16
12288	8	Spring washer M20
13215	1	Lock nut M20
page 5	1	PTO drive shaft, wide angle
page 5	1	PTO drive shaft, standard
59243	1	Cylinder 50x30x1950
page 4	1	Draw bar eye, ball
page 4	1	Draw bar eye, turnable
page 4	1	Draw bar eye, euro
77146	1	Support, wrapper
77572	1	Locking hook, draw bar, washer
77627	1	Locking hook, draw bar
77629	1	Ring for wire \varnothing 50x8
78925	1	Cylinder bracket, draw bar cylinder
79816	1	Draw bar, standard
78973	1	End plate, draw bar



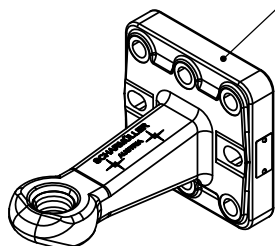
81190



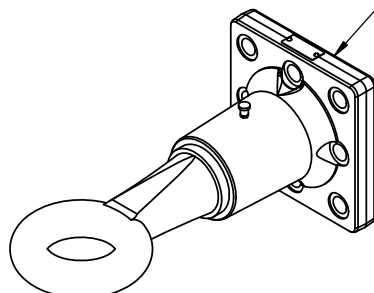
81328



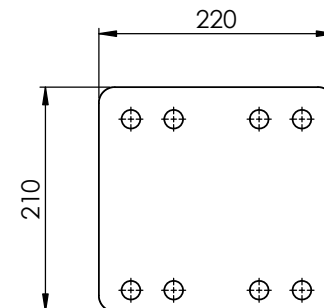
81329



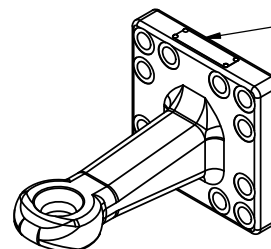
80180



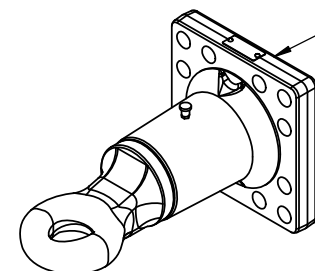
Part number	Qty	Description
81190	1	Draw bar eye, turnable, ø50
81328	1	Drawbar eye, ball
81329	1	Drawbar eye, euro, ø40
80180	1	Drawbar eye, ø76



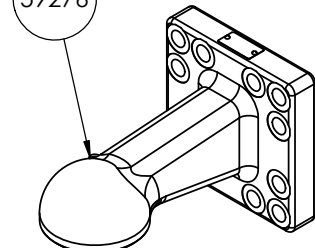
59278



59277

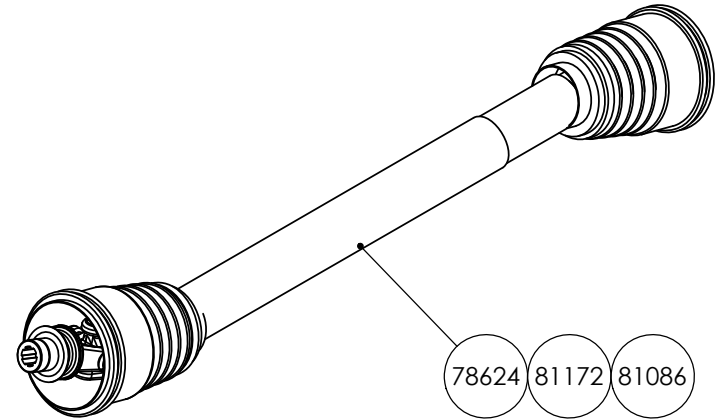
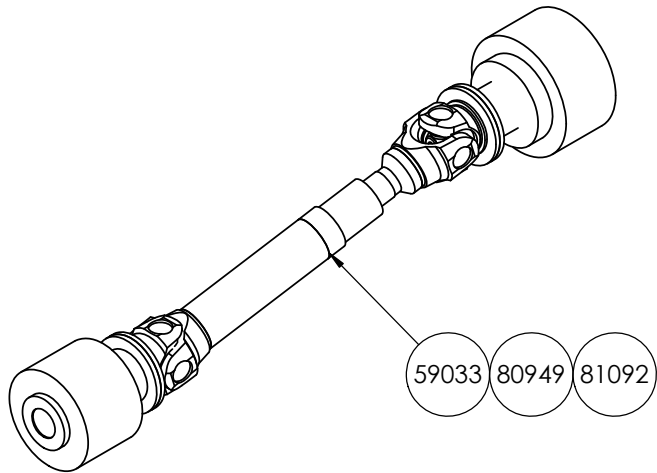


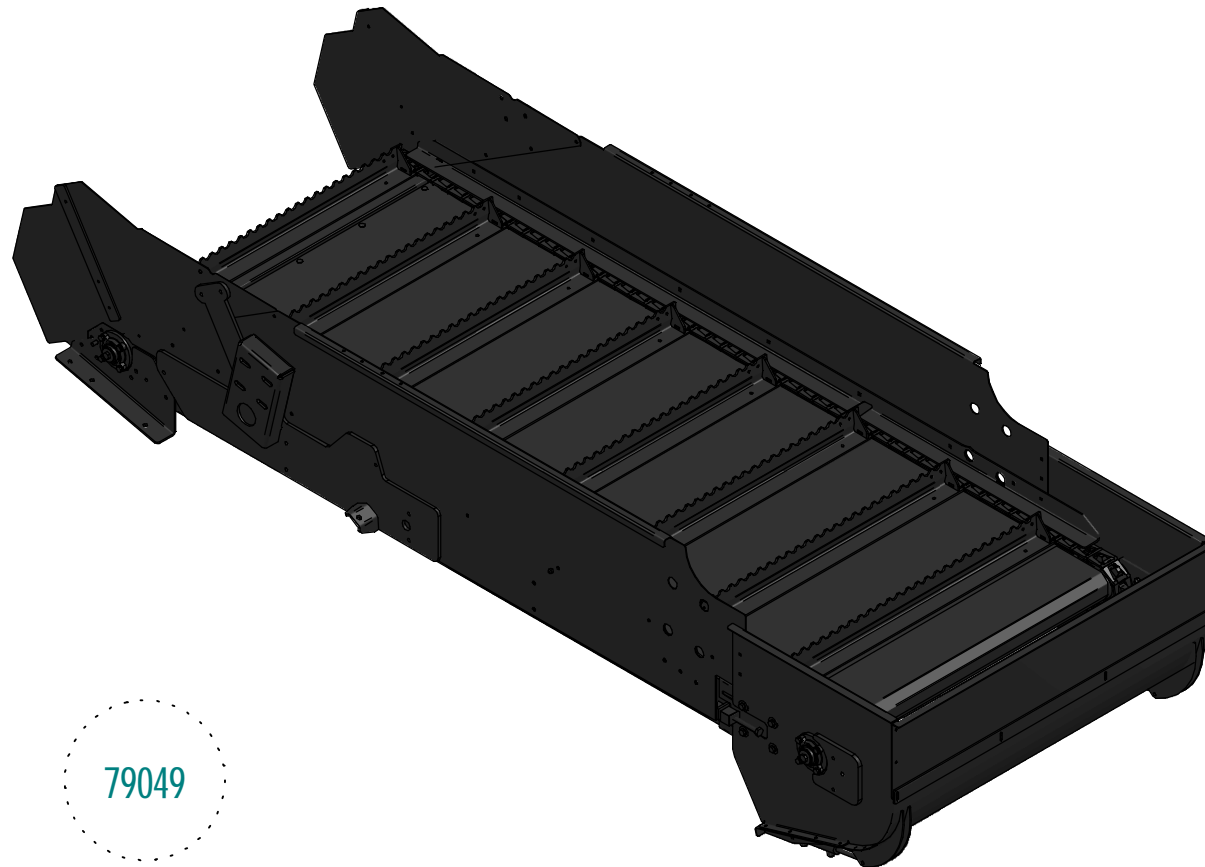
59276



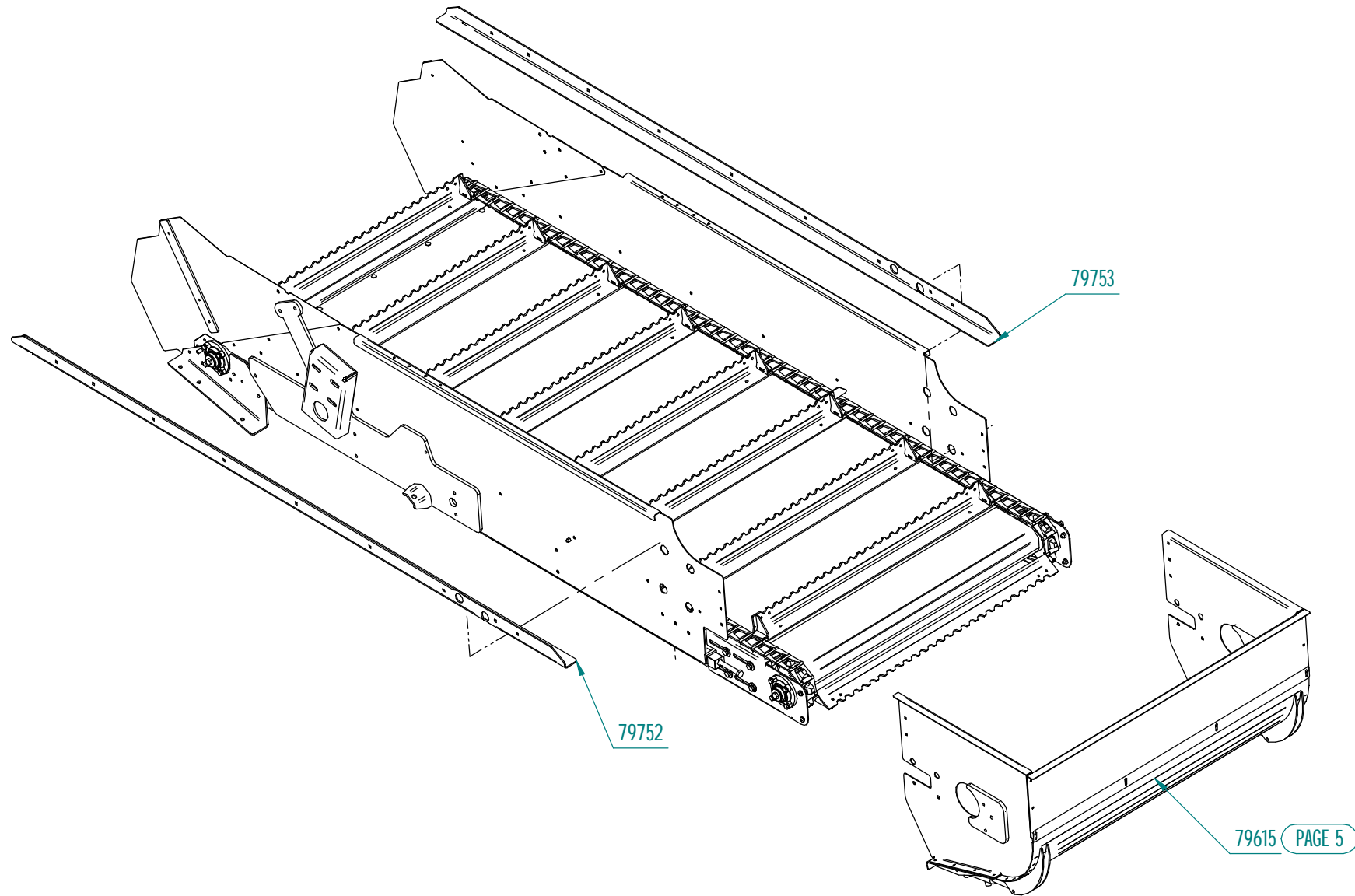
Part number	Qty	Description
59276	1	Draw bar eye, ball
59277	1	Draw bar eye, turnable, ø50
59278	1	Drawbar eye, euro, ø40

Part number	Qty	Description
78624	1	PTO drive shaft, wide angle, 6-spline
59033	1	PTO drive shaft, standard, 6-spline
81172	1	PTO drive shaft, wide angle, 8-spline
80949	1	PTO drive shaft, standard, 8-spline
81086	1	PTO drive shaft, wide angle, 21-spline
81092	1	PTO drive shaft, standard, 21-spline

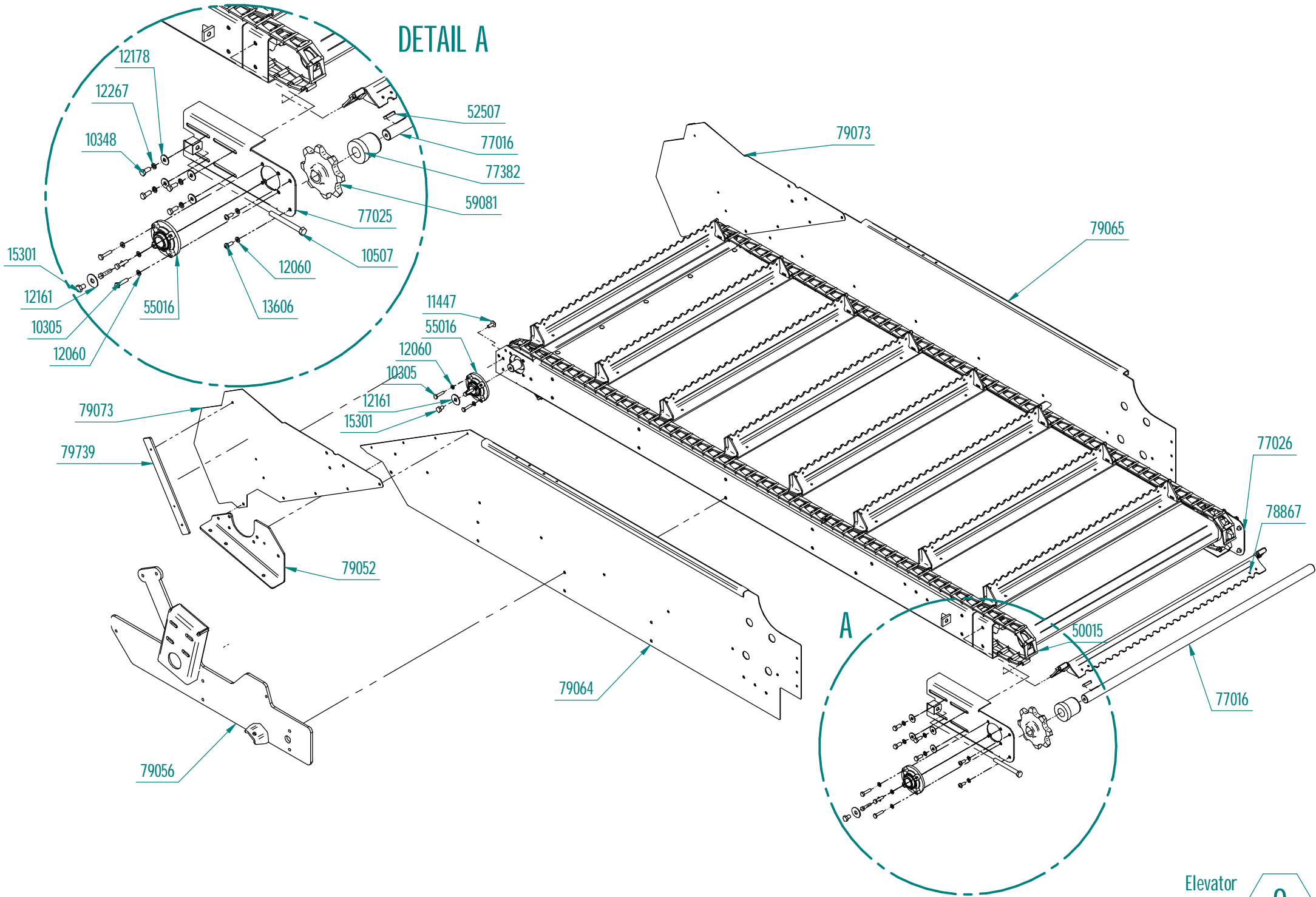


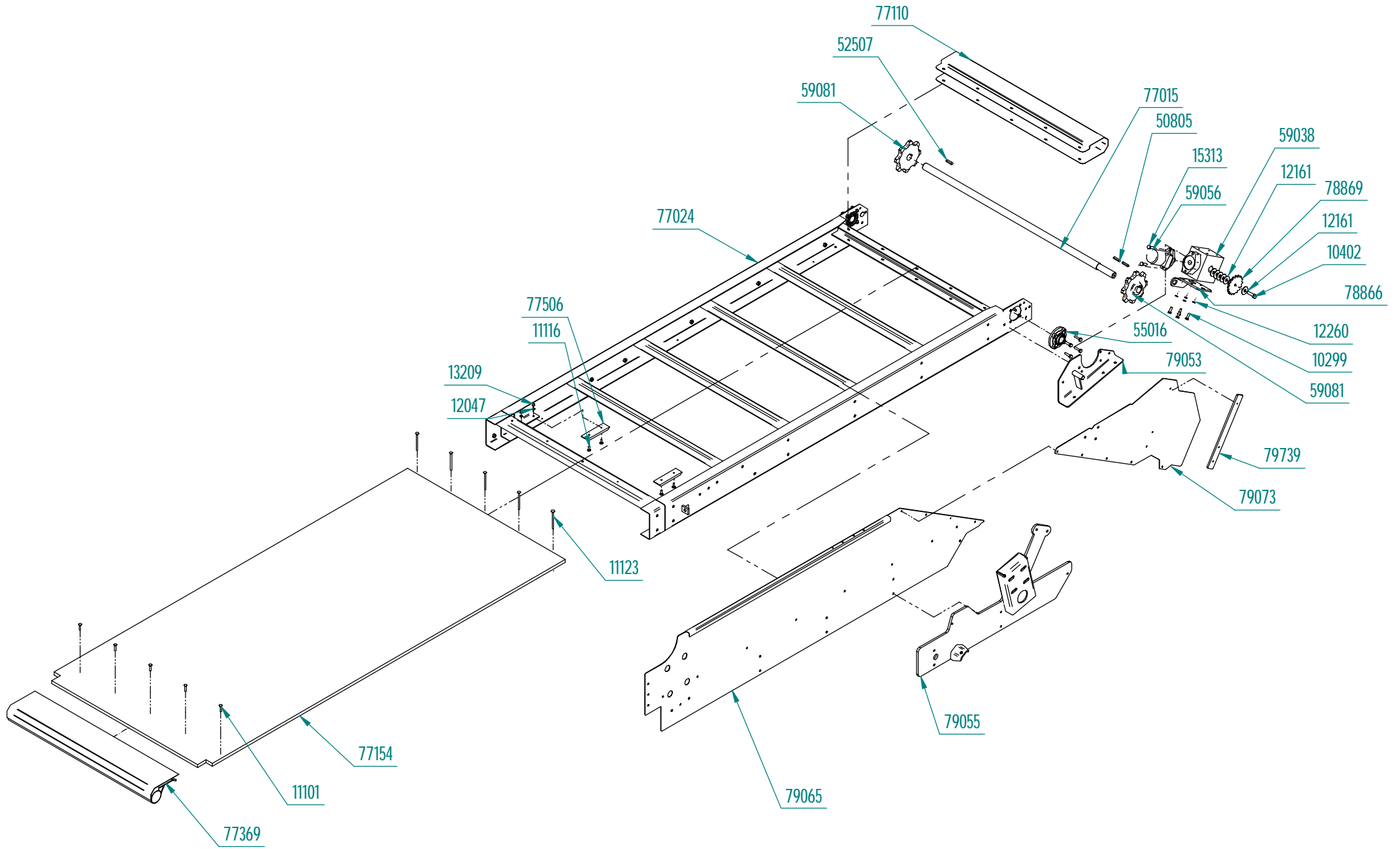


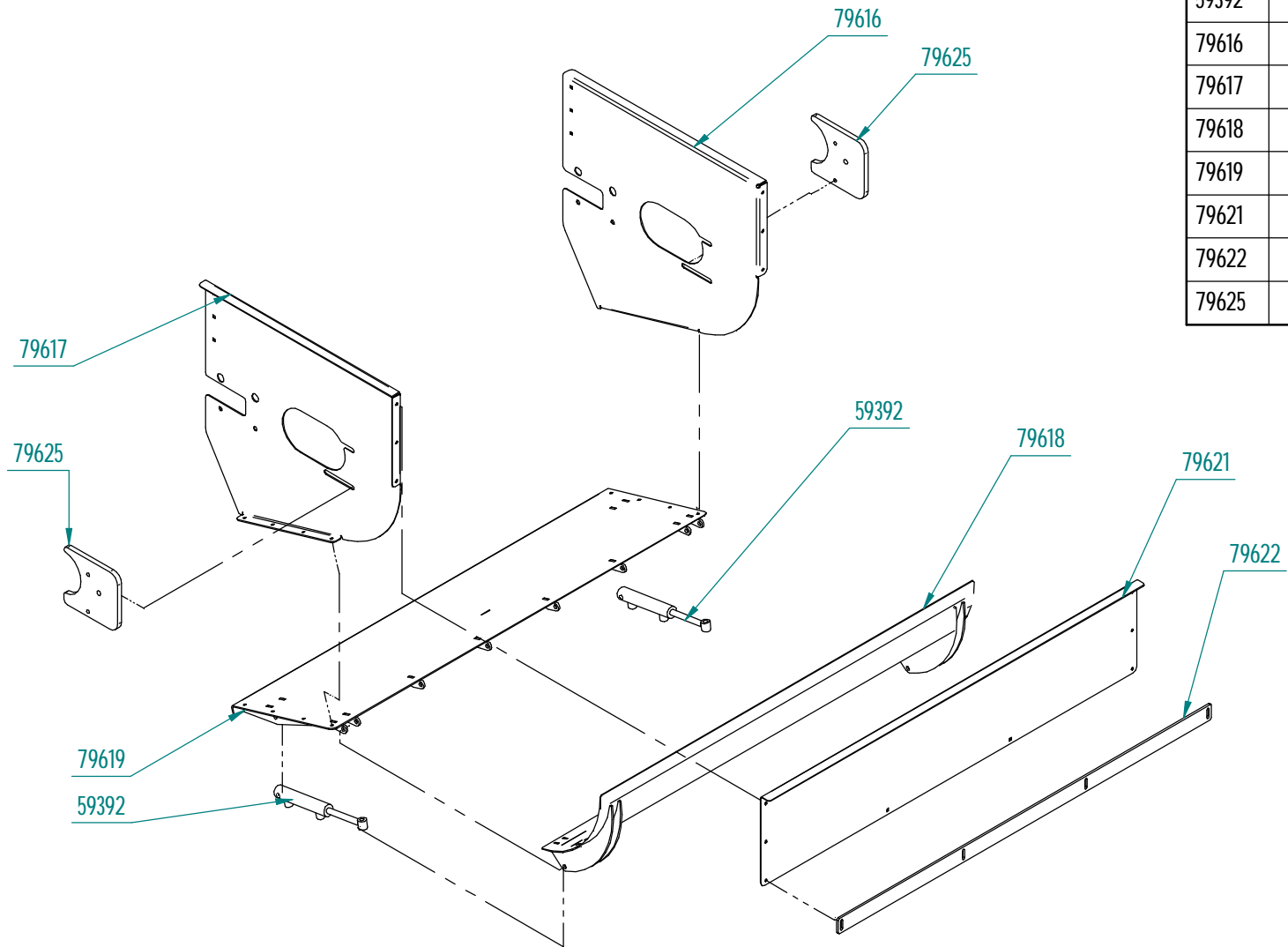
79049



DETAIL A







Part Number	Qty.	Title
59392	2	Cylinder 35x15x190
79616	1	Right side plate, spill collector
79617	1	Left side plate, spill collector
79618	1	Hatch, hydraulic
79619	1	Bottom plate
79621	1	Back plate
79622	1	Locking plate
79625	2	Sealing plate

Part Number	Qty.	Title
10299	8	Bolt M10x30
10305	31	Bolt M10x45
10348	8	Bolt M12x30
10402	1	Bolt M14x50
10507	2	Bolt M16x150, threaded to head
11101	5	Lock head bolt M8x40
11116	7	Lock head bolt M8x25
11123	9	Lock head bolt M8x120
11447	6	Lense head bolt M12x30
12047	25	Washer M8
12060	88	Washer M10
12161	14	Washer ø50/17x3
12178	8	Washer ø37/13x3
12260	28	Spring washer M10
12267	8	Spring washer M12
13209	23	Lock nut M8
13213	2	Lock nut M16
13606	7	Pan bolt M10x25
13612	2	Pan bolt M8x20
15301	6	Bolt M14x20
50015	166	Chain link Kohlswa Ewart 78
50805	2	Key 10x8x50
52507	3	Key 12x8x50
55016	4	Bearing UCFCX08

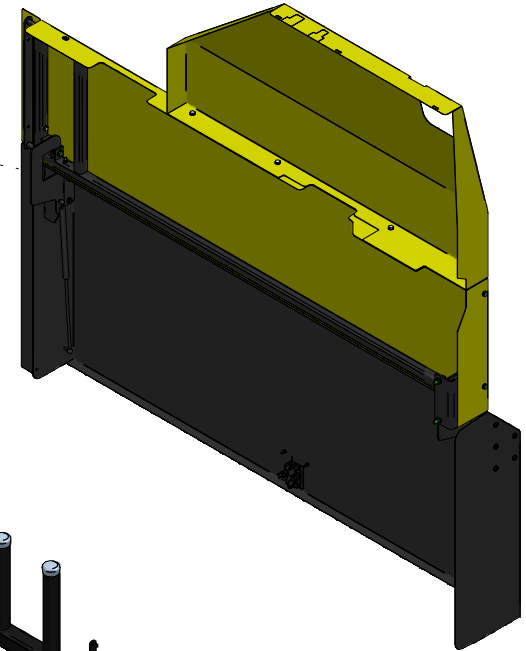
Part Number	Qty.	Title
59081	4	Sprocket
77015	1	Driveshaft, elevator
77016	1	Shaft, tightening side
77024	1	Frame
77025	1	Tightener, left side
77026	1	Tightener, right side
77110	1	Winding protection
77154	1	Visaform plate, lower
77369	1	Winding protection, lower
77382	2	Winding protection bearing
77506	2	Plastic guide rail for belt
78866	1	Bracket, elevator gear
78867	17	Carrier
78869	1	Counting wheel, elevator
78881	34	Carrier wing
79052	1	Bracket, upper fastener, left
79053	1	Bracket, upper fastener, right
79055	1	Cylinder bracket, right
79056	1	Cylinder bracket, left
79064	1	Side cover, left
79065	1	Side wall, right
79073	2	Upper cover
79615	1	Spill collector, Evo
79739	2	Support

Part Number	Qty.	Title
79752	1	Chain cover, left elevator
79753	1	Chain cover right, elevator
80776	1	Gear and motor, elevator

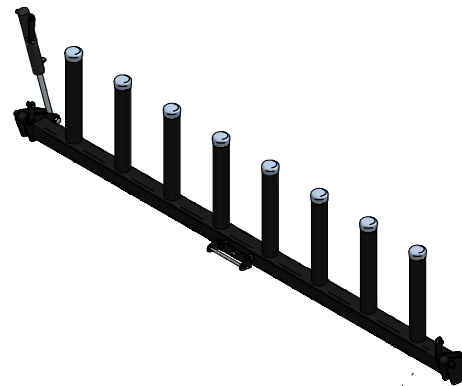
79465
Cover complete
left



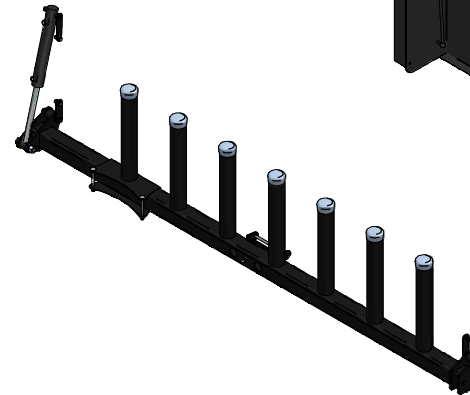
79462
Cover complete
right

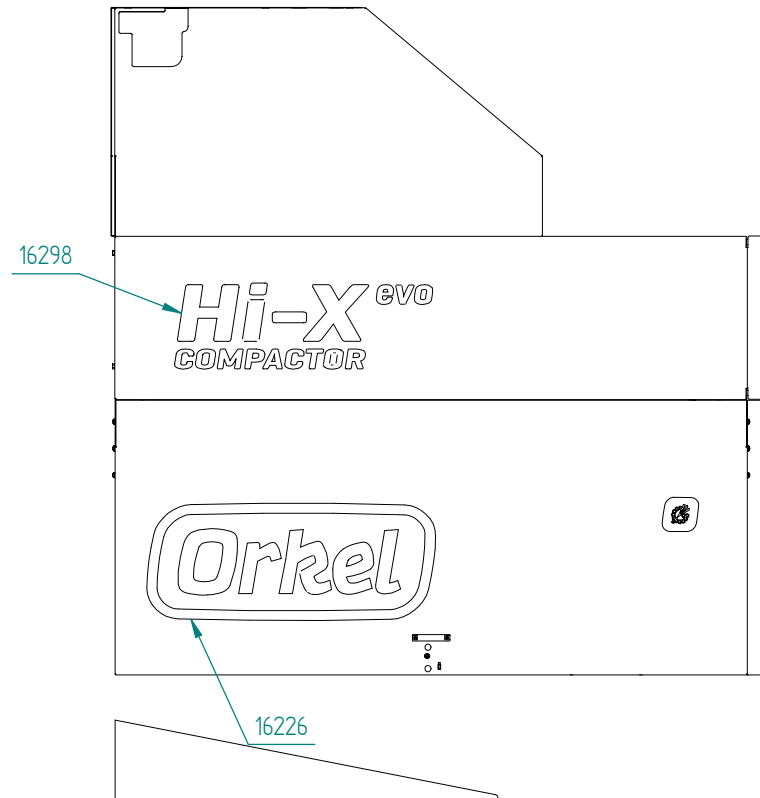
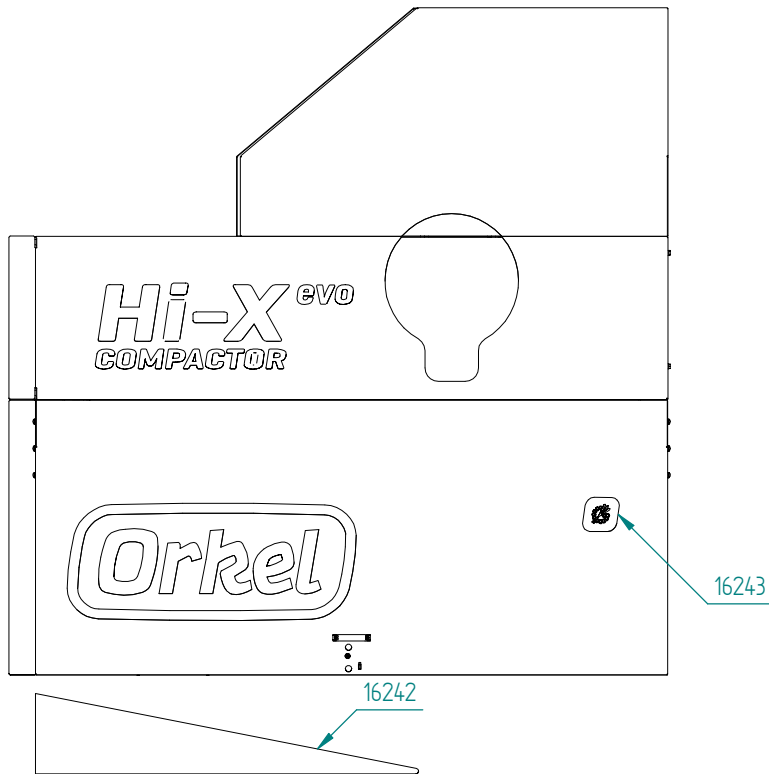


78680
Plastic storage
left

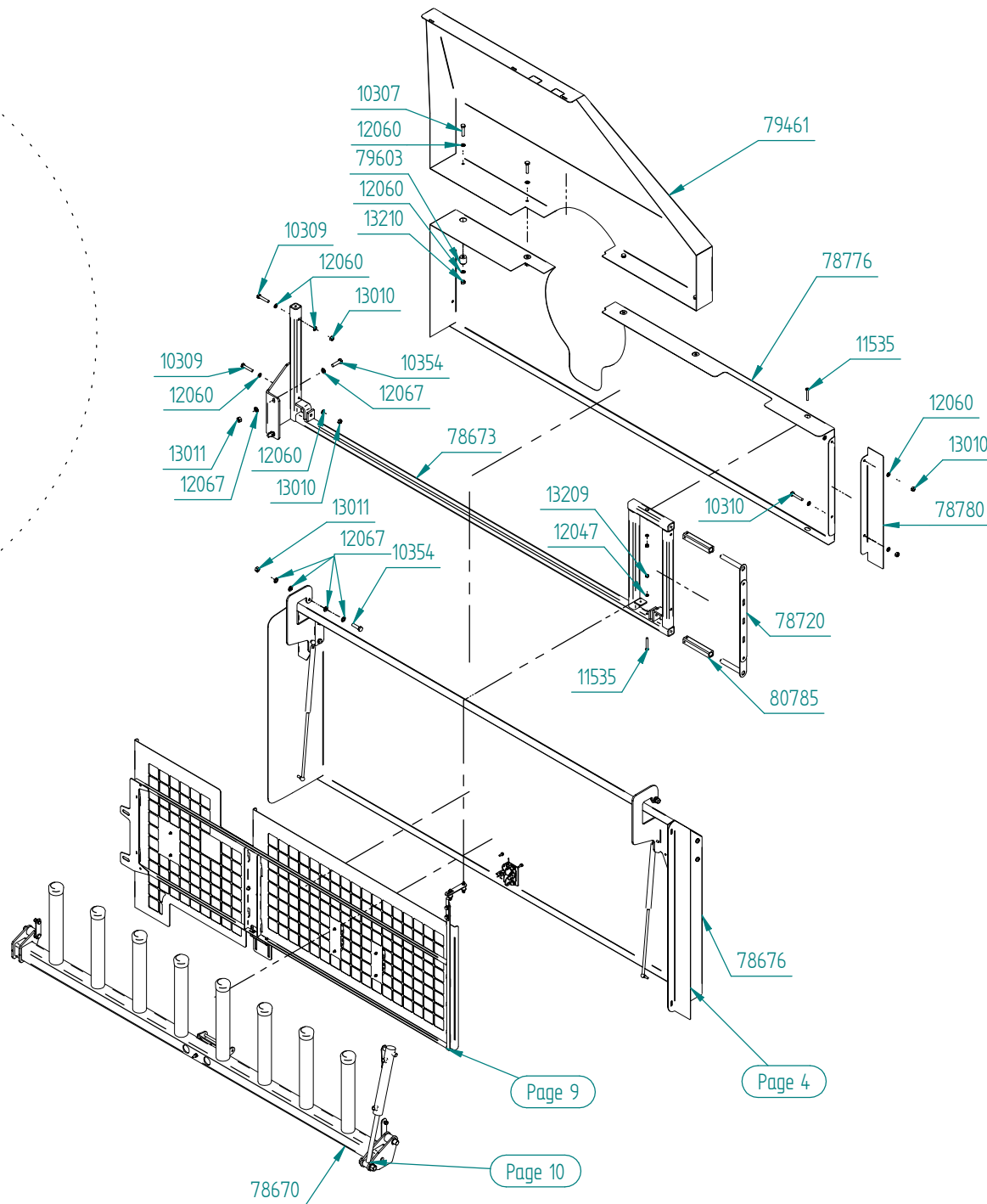
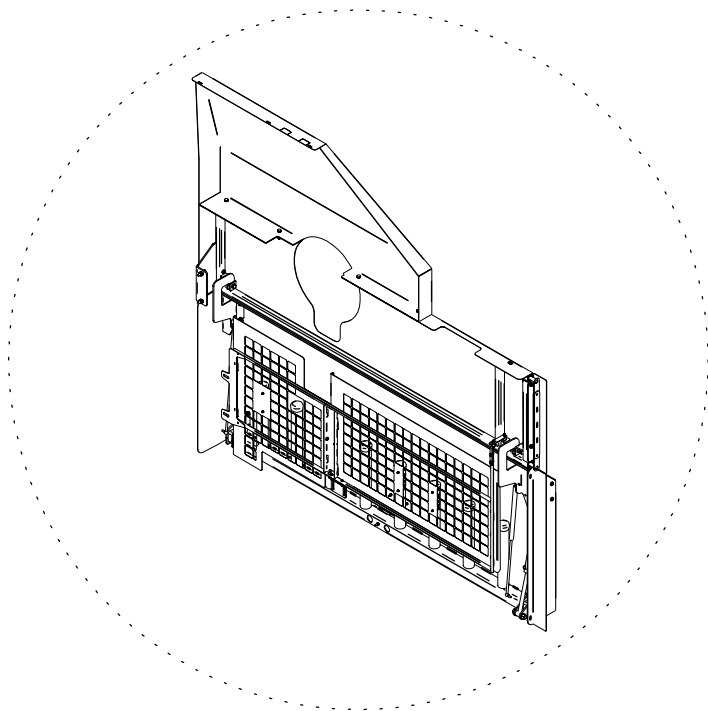


78679
Plastic storage
right

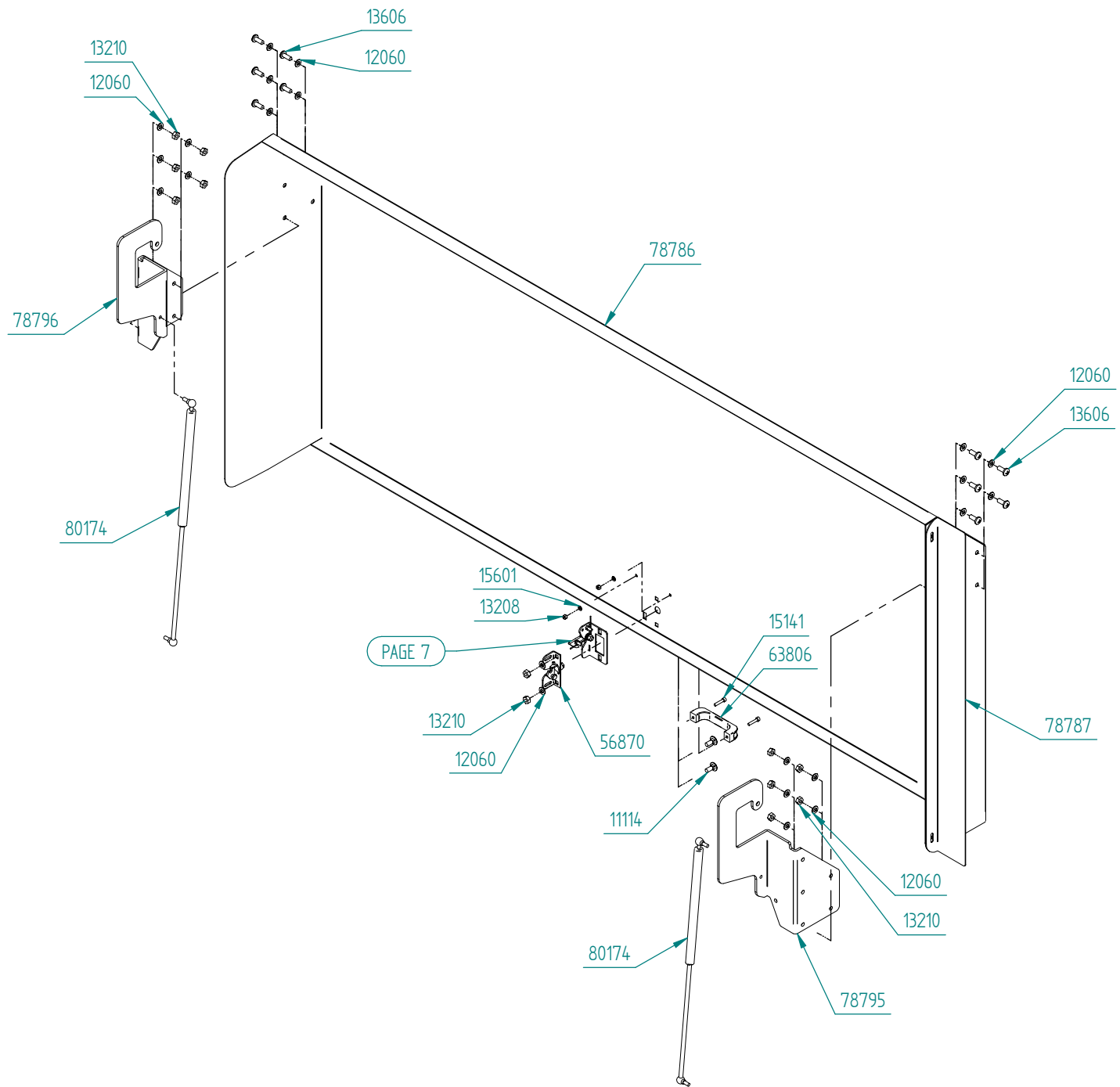




Stickers

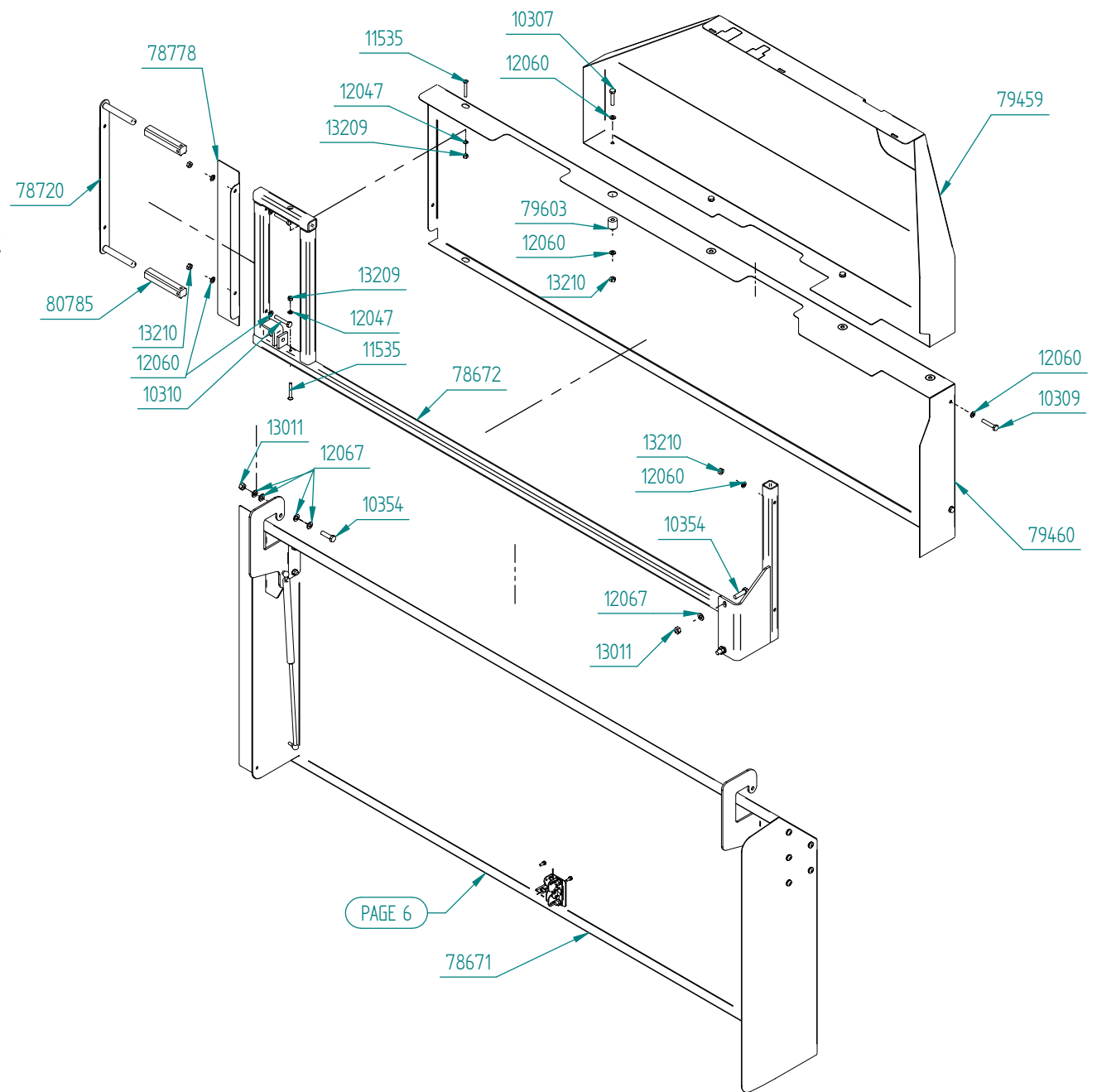
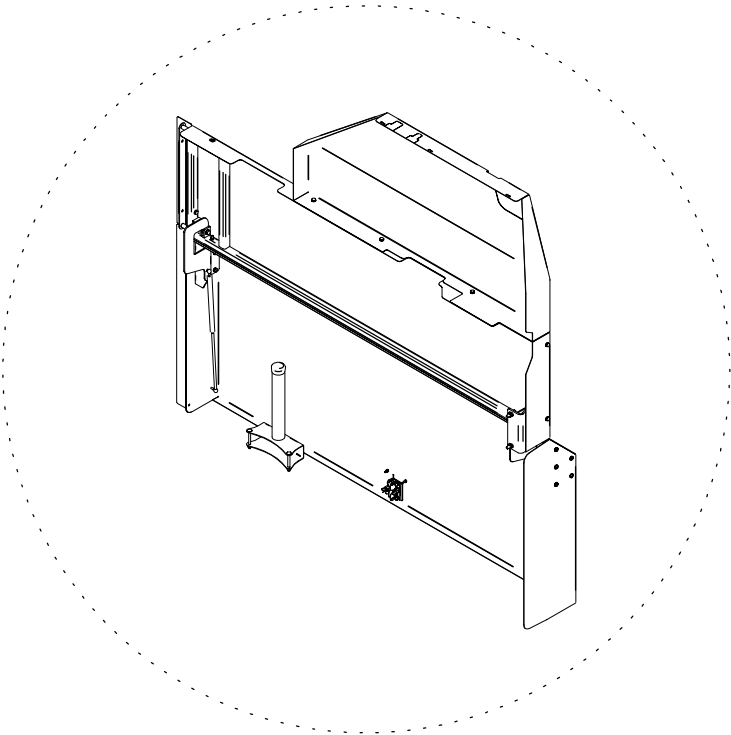


Cover
left

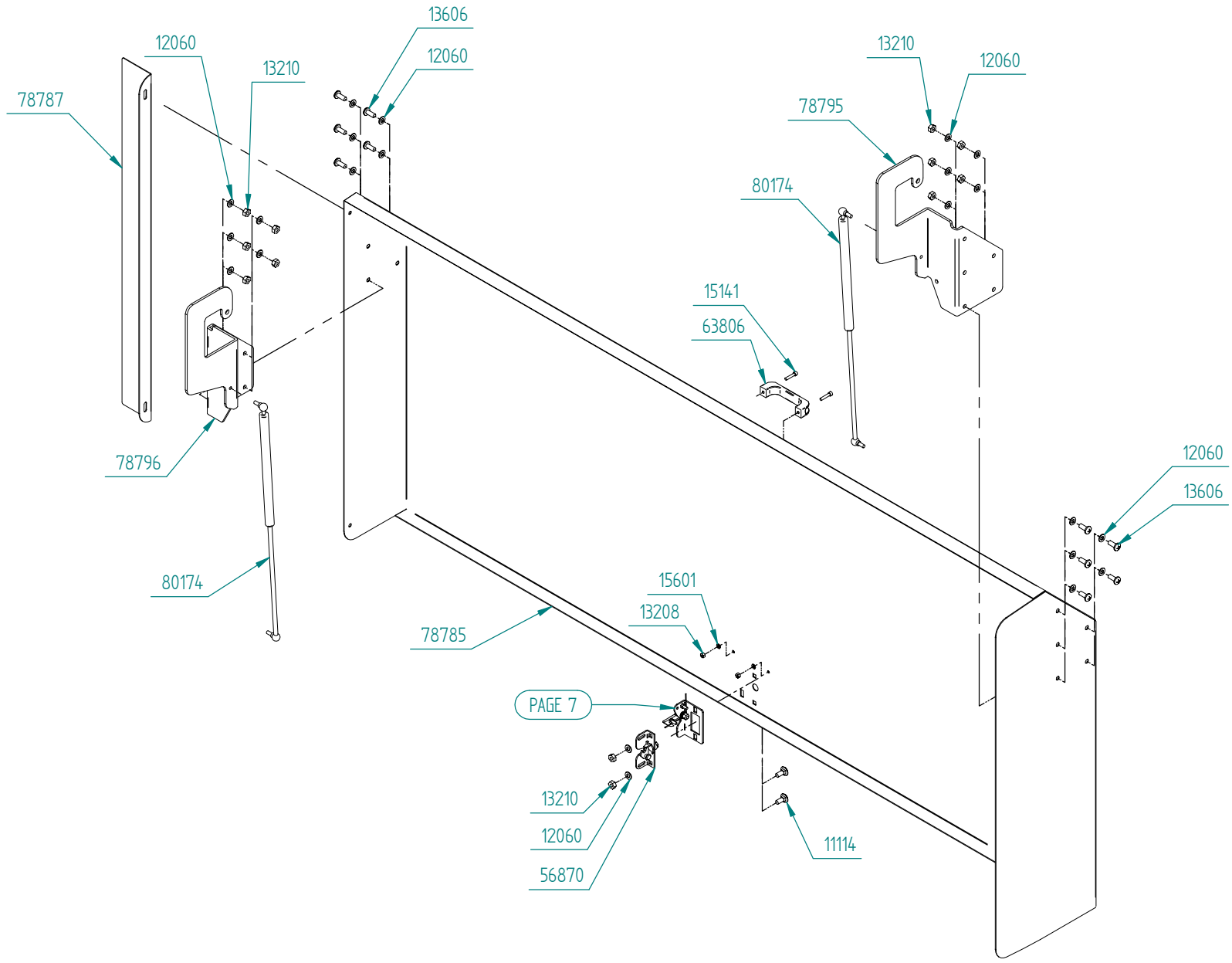


PAGE 7

Cover
left

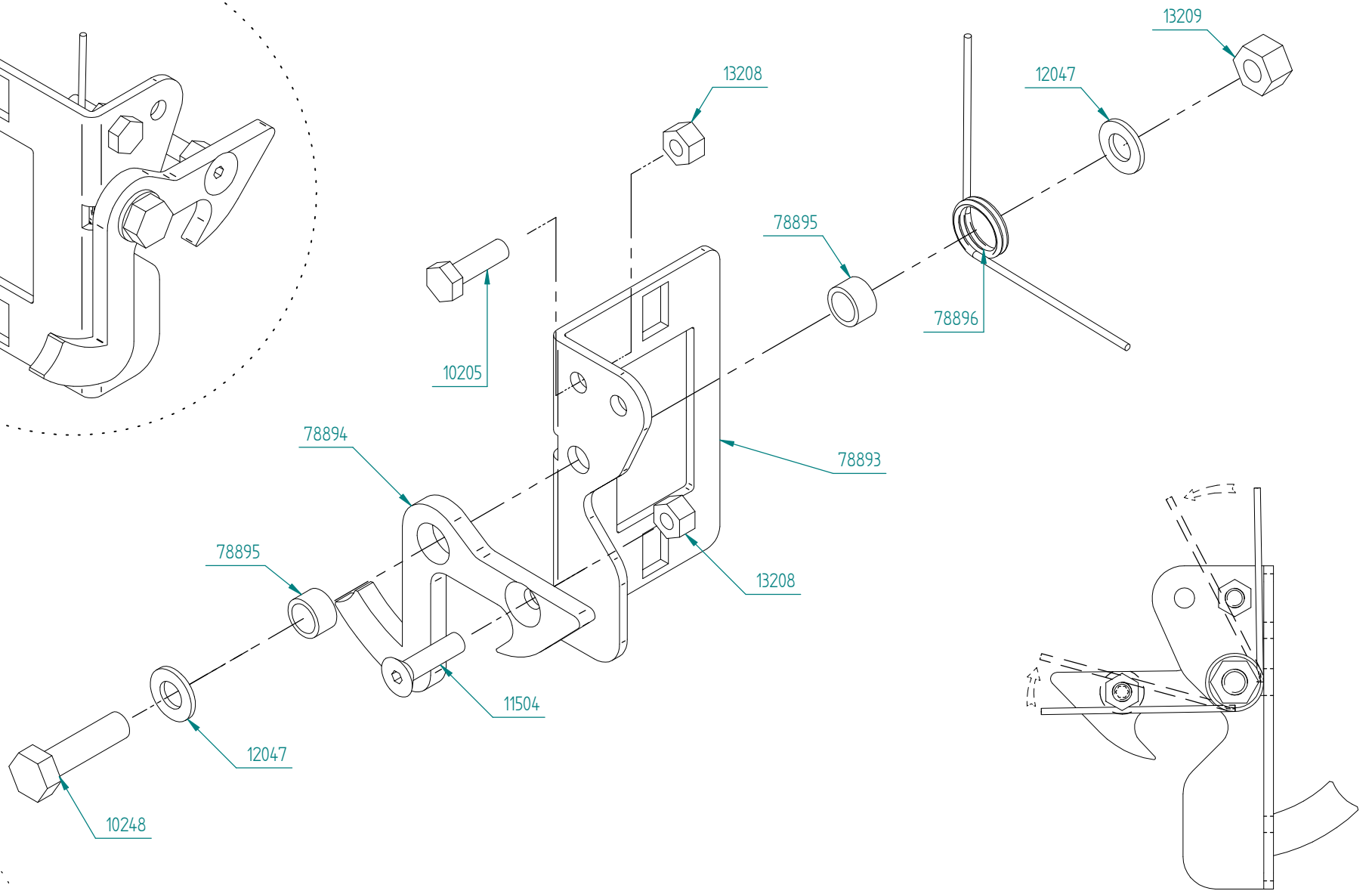
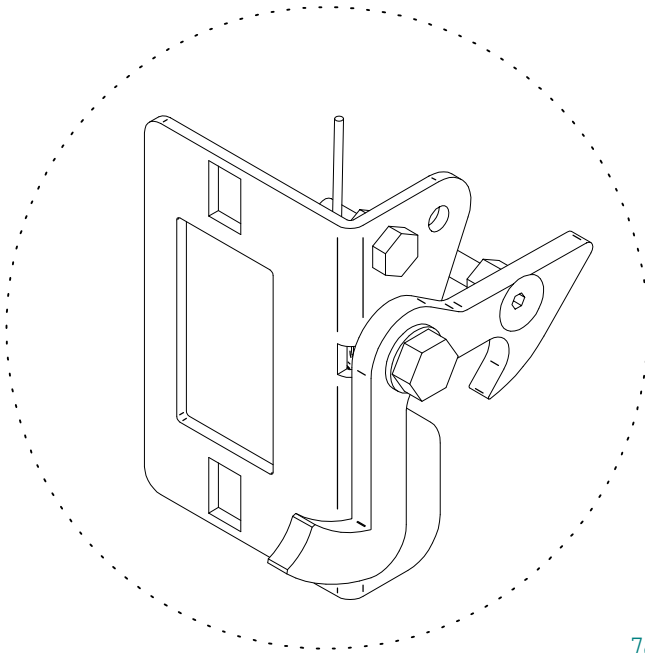


Cover
right

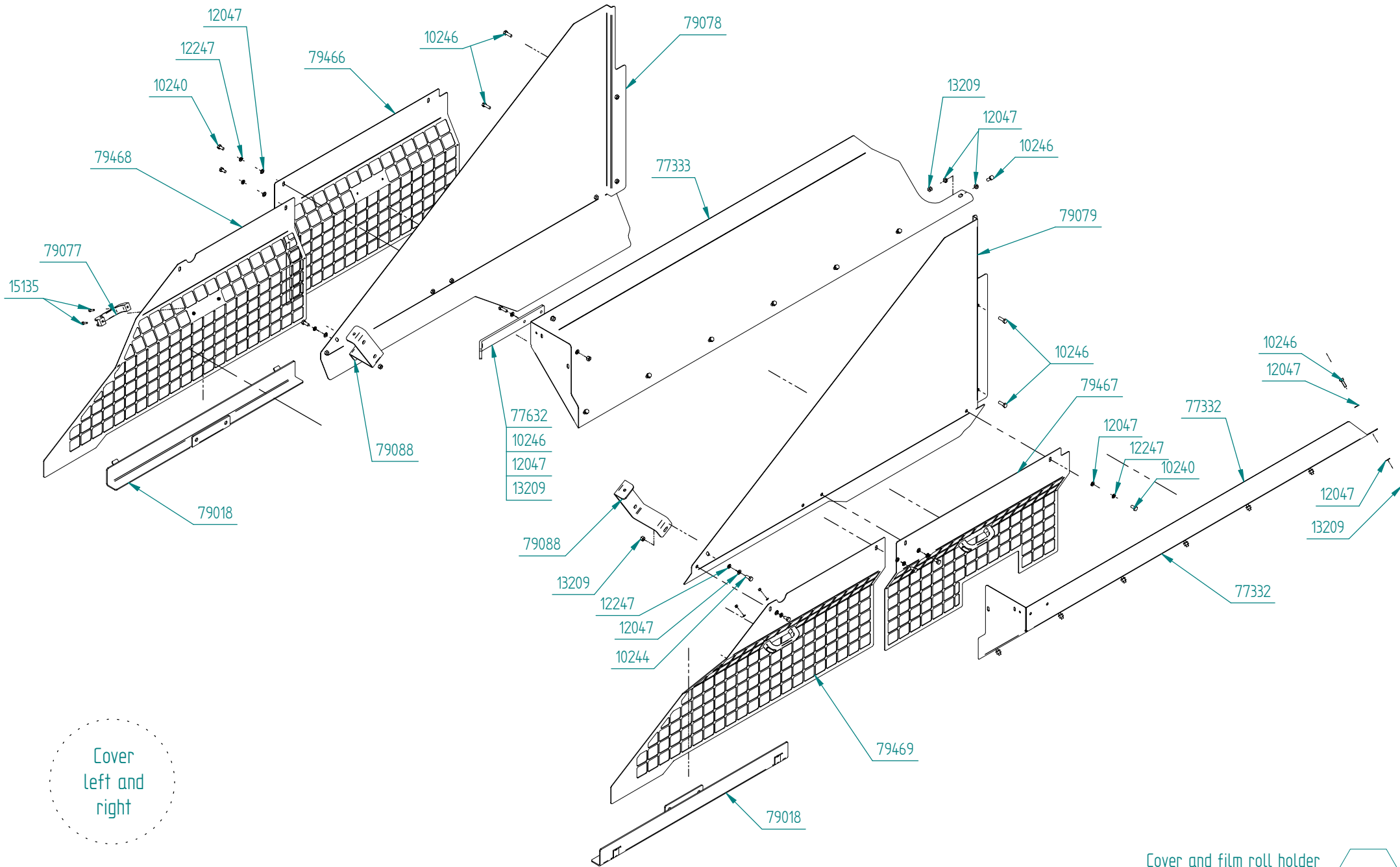


PAGE 7

Cover
right

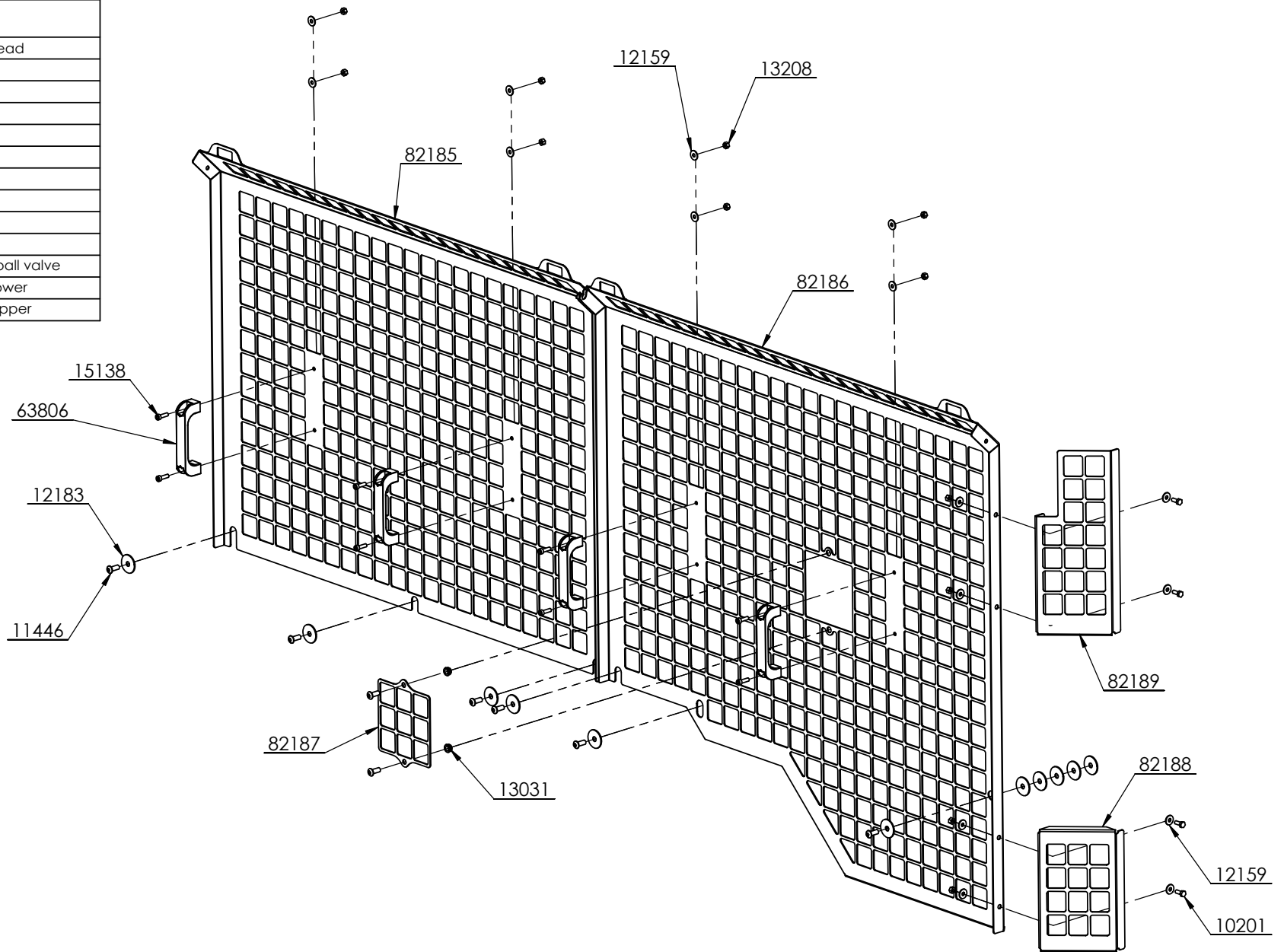


Cover
left and
right

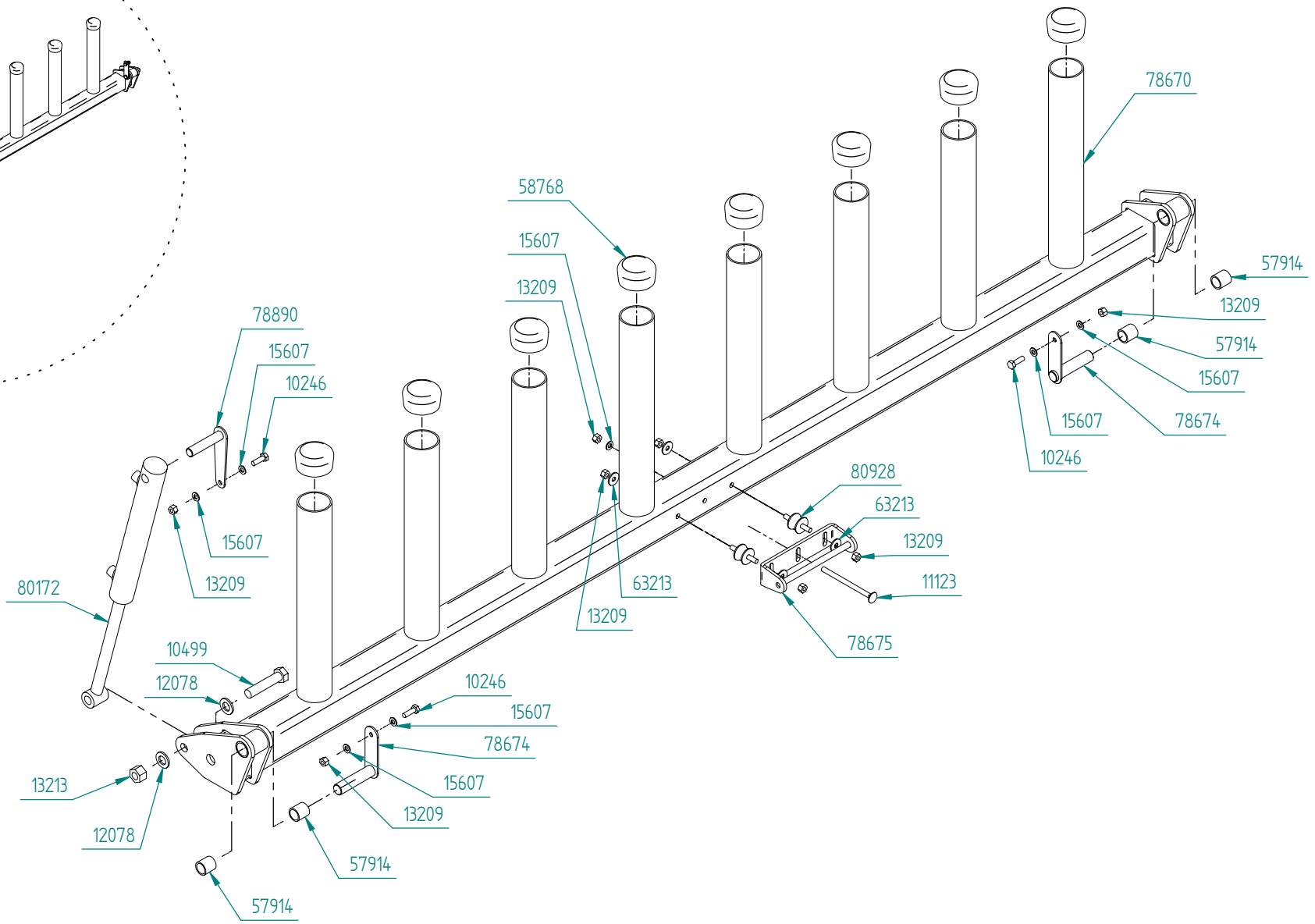
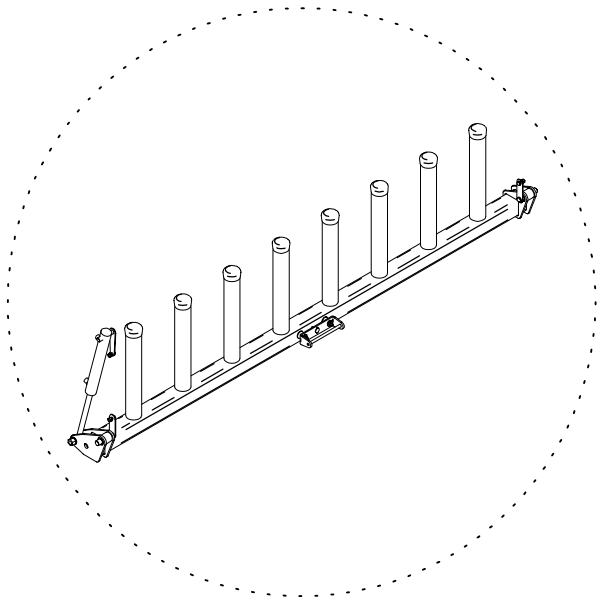


Cover
 left and
 right

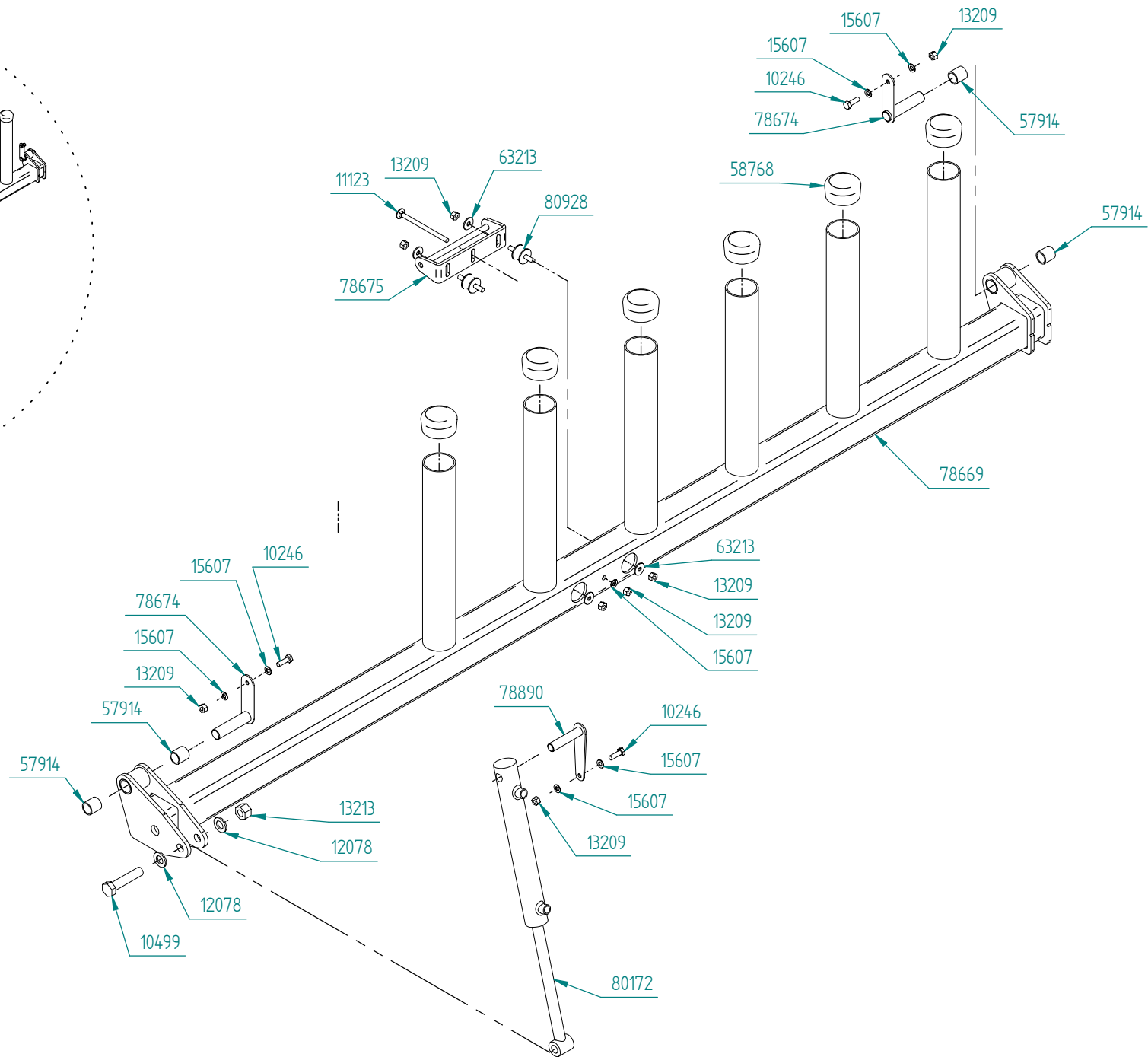
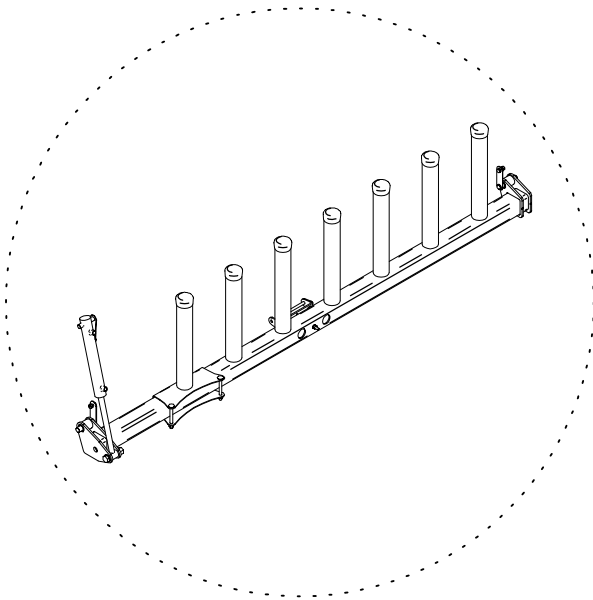
Part number	Qty	Description
10201	4	Bolt M6x16, threaded to head
11446	8	M8x20
12159	16	Washer ø18/6,4
12183	11	Washer 9x35x2mm
13031	2	M8 blind nut
13208	12	Lock nut M6
15138	8	M6x20 cylinderhead, galv.
63806	4	Handle
82185	1	Safetycover left
82186	1	Safety cover, right
82187	1	Hatch on safetycover for ball valve
82188	1	Sideflap for safetycover, lower
82189	1	Sideflap for safetycover, upper



Chain cover
left side



78680
Plastic storage,
left



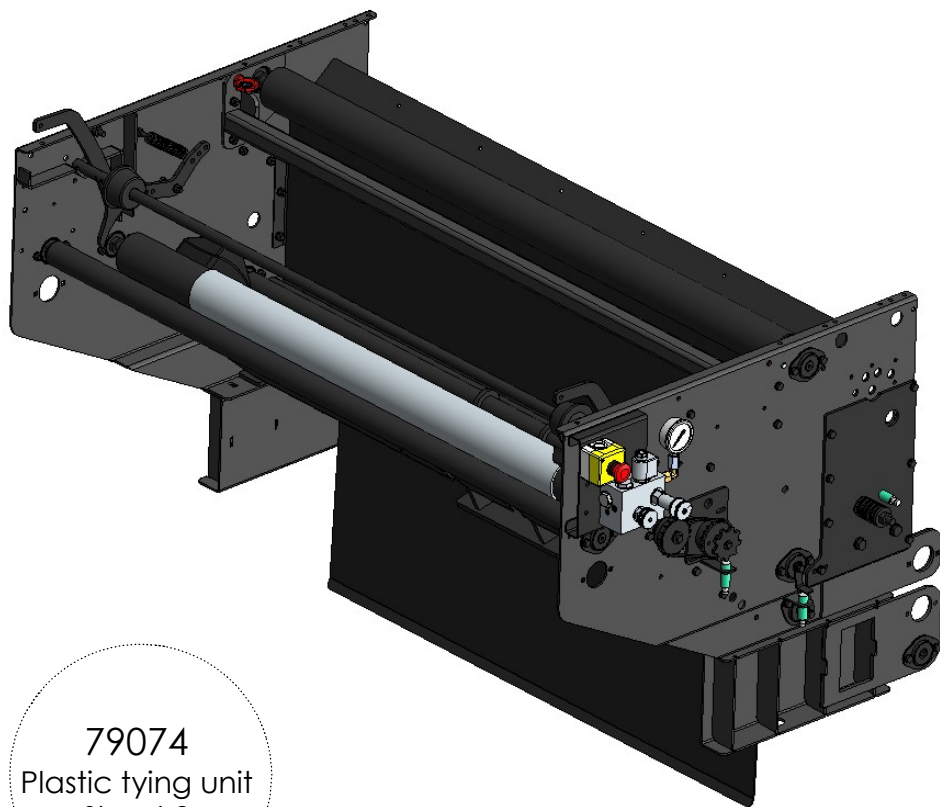
78679
Plastic storage,
right

Part Number	Qty.	Title
10205	2	Bolt M6x20, threaded to head
10211	2	Bolt M6x35
10240	8	Bolt M8x16
10244	6	Bolt M8x20
10246	26	Bolt M8x25
10248	2	Bolt M8x30
10307	8	Bolt M10x50
10309	4	Bolt M10x55
10310	4	Bolt M10x60
10354	8	Bolt M12x45
10499	2	Bolt M16x75
11110	2	Lockinghead bolt M10x100
11114	4	Locking head bolt M10x25
11123	2	Lock head bolt M8x120
11504	2	Countersunk bolt M6x20
11535	4	Countersunk bolt M8x60
12029	16	Washer M5
12036	8	Washer M6
12047	54	Washer M8
12060	78	Washer M10
12067	24	Washer M12
12078	4	Washer M16
12247	10	Spring washer M8
13010	4	Nut M10
13011	8	Nut M12
13043	2	Lock nut M10

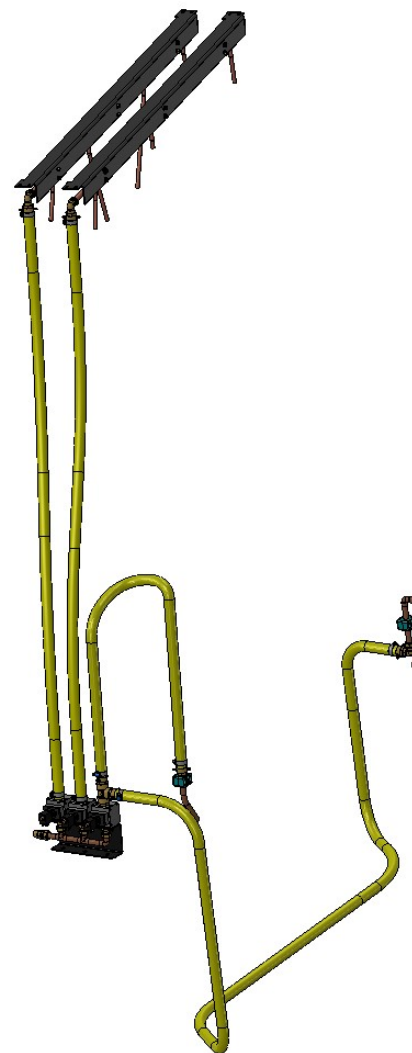
Part Number	Qty.	Title
13207	16	Lock nut M5
13208	14	Lock nut M6
13209	40	Lock nut M8
13210	36	Lock nut M10
13213	2	Lock nut M16
13606	20	Pan bolt M10x25
15135	16	Bolt M5x20, cylinderhead
15141	4	Bolt M6x30, cylinderhead
15601	4	Washer M6, rust free
15607	14	Washer M8, rust free
16226	2	Sticker, Orkel
16242	2	Sticker, yellow
16243	2	Sticker, Gjøannes
16298	2	Sticker, Hi-X EVO
56870	2	Lock Camlock 2812L
57914	8	Plain bearing
58768	15	Plastic cap ø60
63213	8	Washer ø24/8,4x2
63806	10	Handle
77332	1	Spillage cover, right
77333	1	Spillage cover, left
77632	1	Hose holder, hydrostat
78669	1	Film roller storage, right
78670	1	Film roller storage, left
78672	1	Frame Top Cover Right
78673	1	Frame Top Cover Left

Part Number	Qty.	Title
78674	4	Shaft Plastic Magazine
78675	2	Counterpart Latch
78720	2	Flexible mount, top cover
78776	1	Top cover, left
78778	1	Extension top cover, right
78780	1	Extension top cover, left
78785	1	Cover, film roller storage, right
78786	1	Cover, film roller storage, left
78787	2	Cover extension hatch L/R
78795	2	Hinge, cover, left
78796	2	Hinge, cover, right
78815	1	Frame, chain cover
78846	1	Mounting plate
78847	1	Chain guard mesh
78890	2	Cylinder bolt
78893	2	Base plate, lock
78894	2	Hook, lock
78895	4	Spacer, safety lock
78896	2	Safety lock, Torsion Spring
79004	1	Bracket
79006	1	Bracket
79008	1	Chain guard mesh
79018	2	Mounting, rear safety lattice
79078	1	Cover, below elevator, left
79079	1	Right cover, below elevator
79088	2	Bracket for cover below elevator

Part Number	Qty.	Title
79089	1	Removable plastic film holder
79459	1	Top cover, right
79460	1	Cover, right
79461	1	Top cover, left
79466	1	Safety lattice, front, left
79467	1	Safety lattice, front, right
79468	1	Safety lattice, rear, left
79469	1	Safety lattice, rear, right
79603	8	Bushing, film system cover
80172	2	Hydraulic cylinder
80174	4	Gas strut Bansbach
80785	4	Slider, top cover
80907	2	Rubber mount
80928	4	Rubber mount

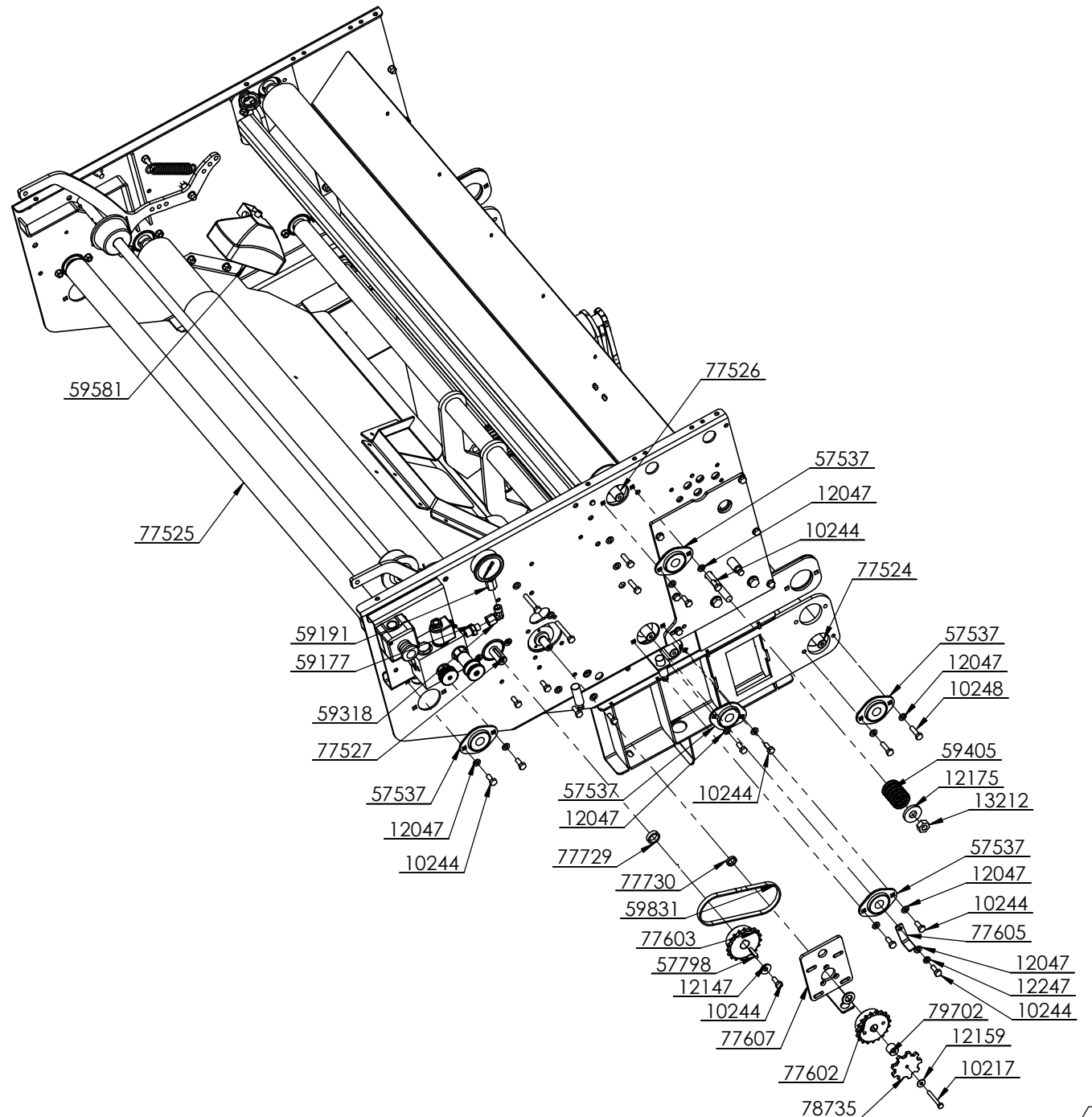


79074
Plastic tying unit
Sheet 2

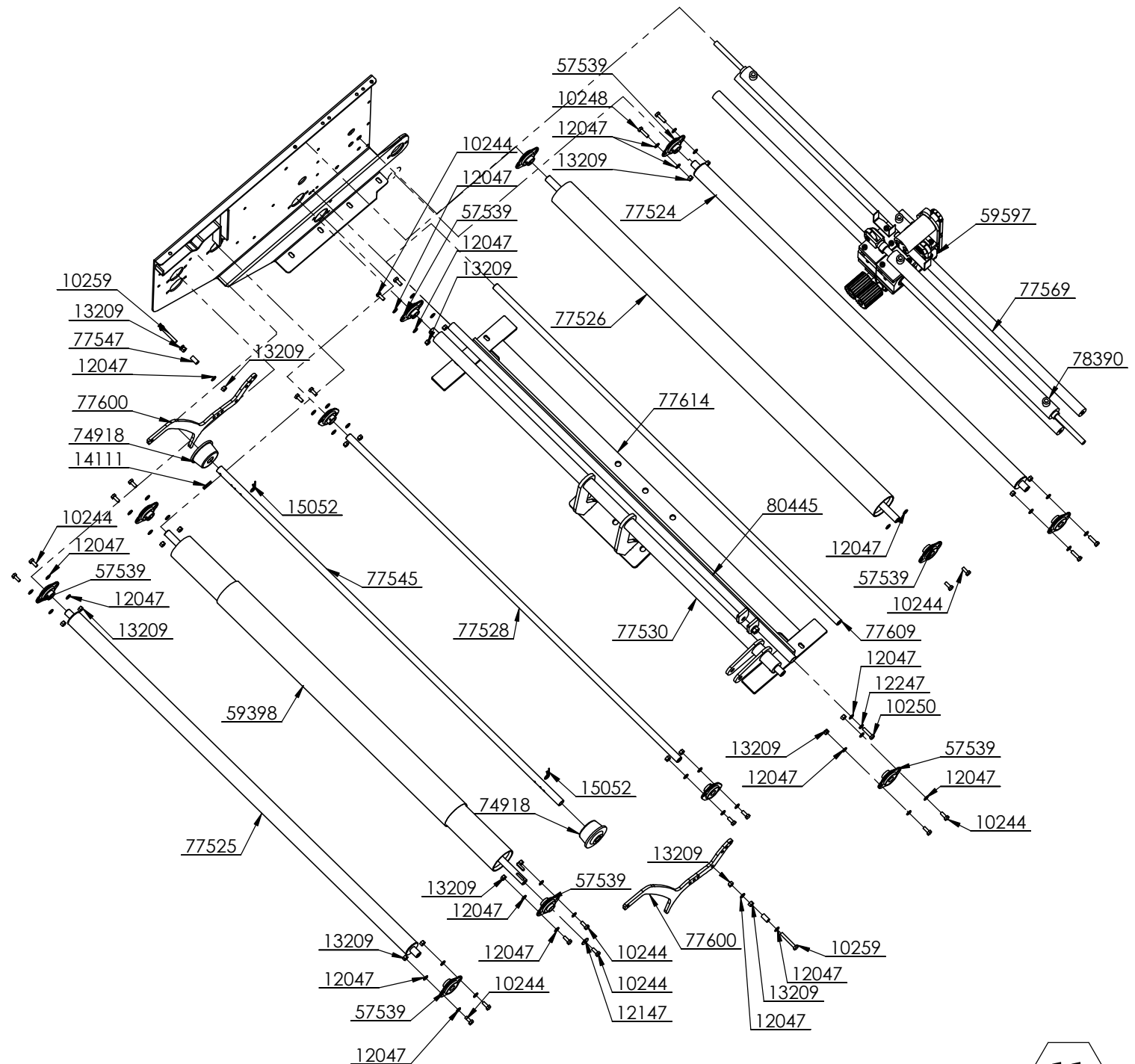


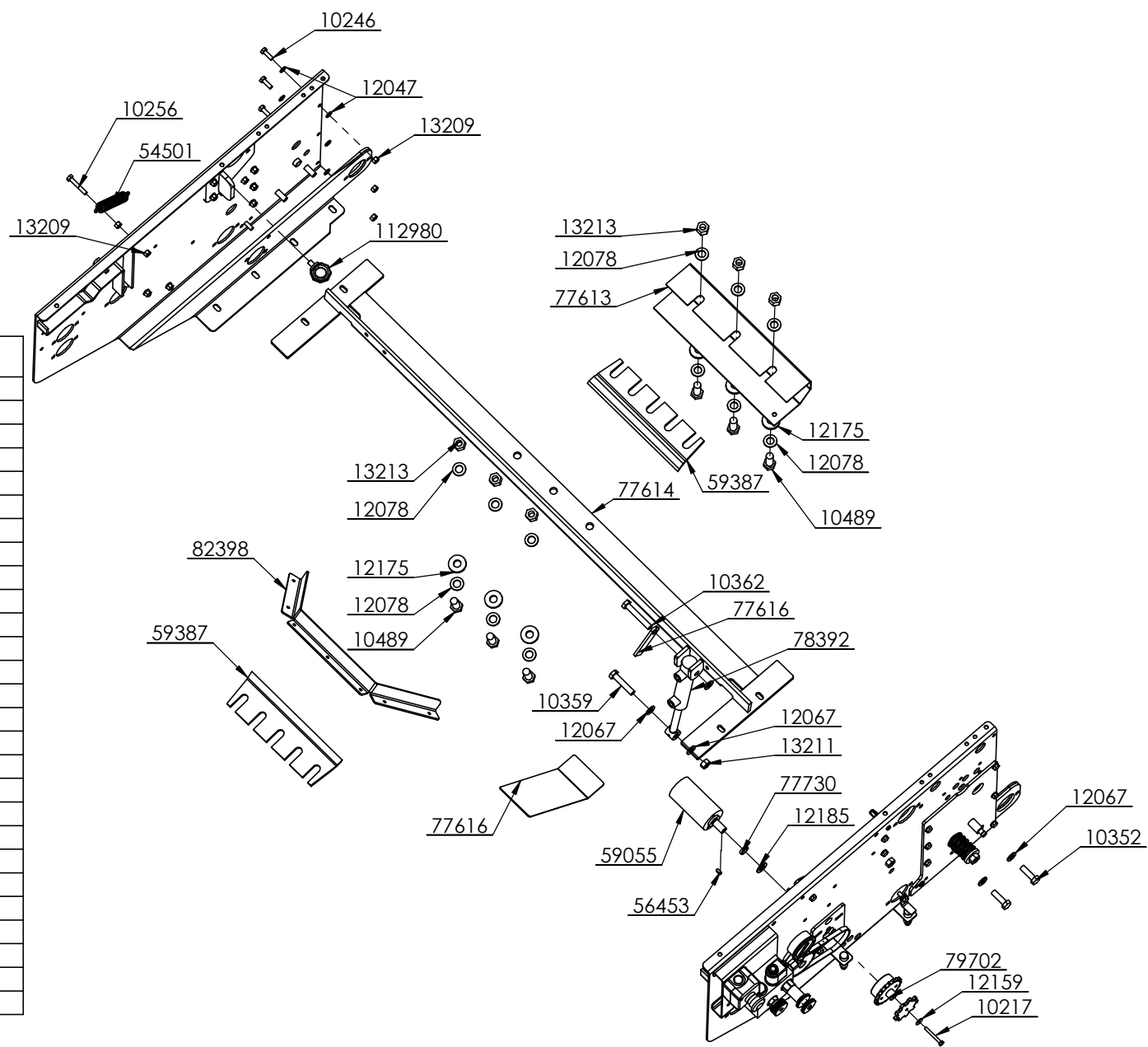
82124
Compressed air
cleaner system
Sheet 9

Part number	Qty	Description
10217	1	Bolt M6x50
10244	27	Bolt M8 x 20 DIN 933 8.8 FZV
10248	6	Bolt M8 x 30 DIN 933 8.8 FZV
12047	100	Washer 8,4 DIN 125A -140HV FZV
12147	2	Washer 8,4 x 24 x 2 DIN 9021 FZV
12159	2	Washer 6,4 x 18 x 1,6 DIN 9021 FZV
12175	8	Washer ø40/17x6
12247	3	Spring washer 8,1 DIN 127 B FZV
13212	2	Lock nut M14
57537	12	Bearing SBPFL204
57798	1	Key 6x6x30
59177	1	Adaptor 3/8"-1/4"
59191	1	Coupling 1/4"
59318	1	Elbow 1/4" utv. 1/4" innv.
59405	2	Spring
59581	1	Flood light
59831	1	Chain 1/2"
77524	1	Guide roller, front plastic binding
77525	1	Guide roller, rear plastic binding
77526	1	Guide roller, upper plastic binding
77527	1	Brake roller
77602	1	Sprocket
77603	1	Sprocket
77605	1	Signalplate for sensor, knife
77607	1	Bracket, brake motor
77729	1	Spacer
77730	2	Seamless tube ø21,3x3,2
78735	1	Counting wheel
79702	1	Spacer, counting wheel, plastic tying unit



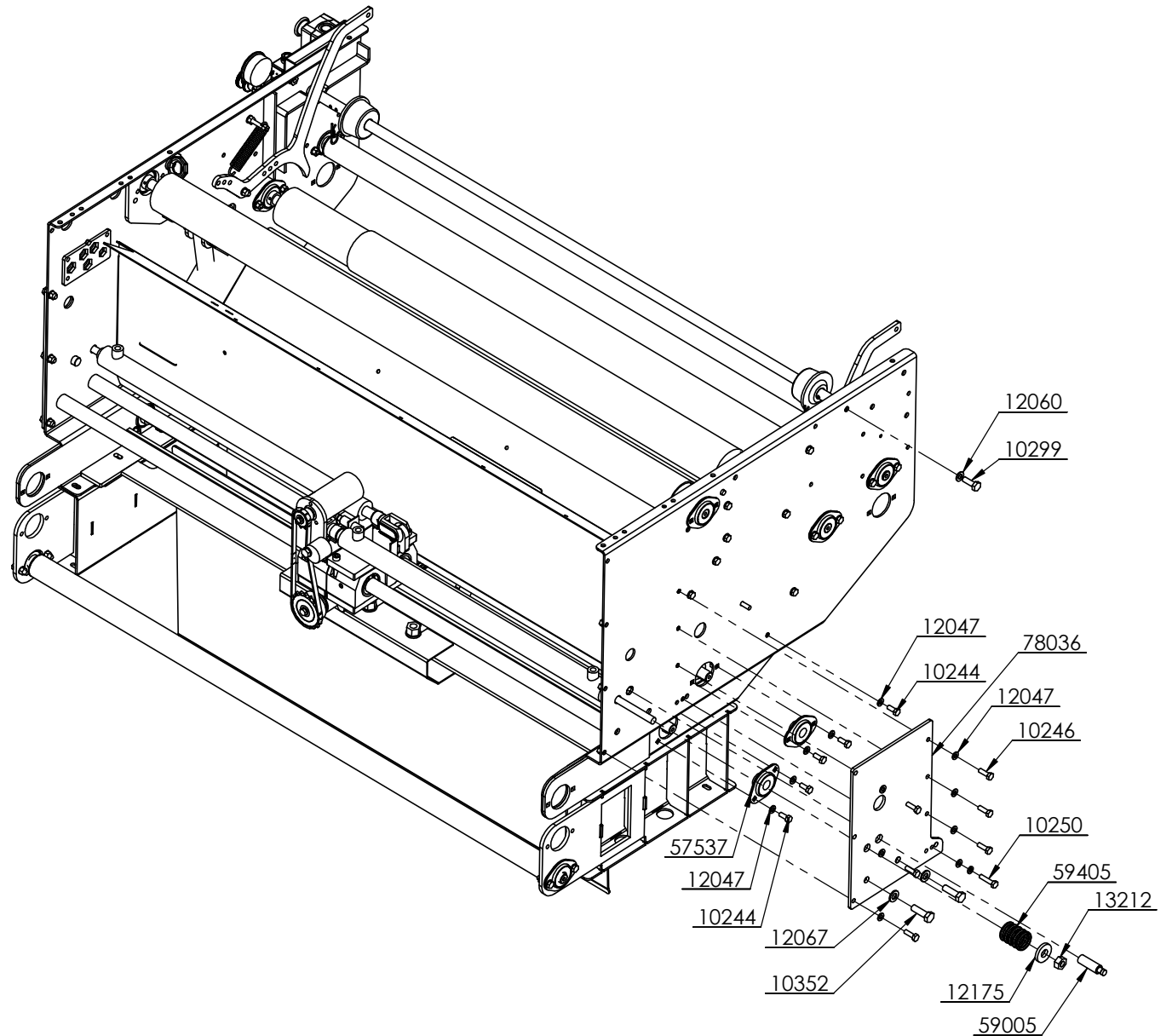
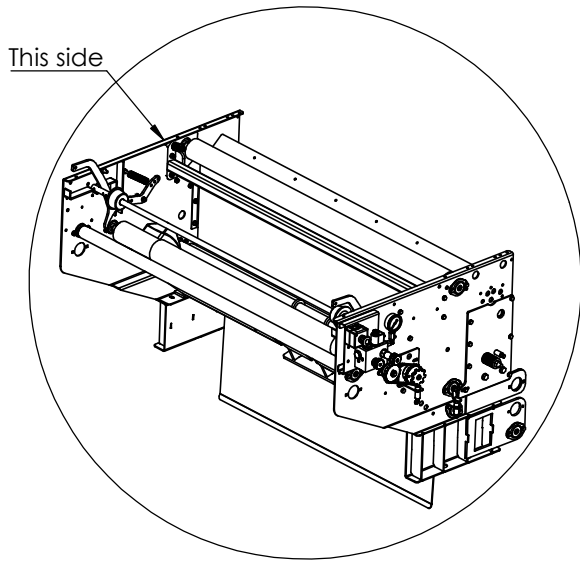
Part number	Qty	Description
10244	27	Bolt M8 x 20 DIN 933 8.8 FZV
10248	6	Bolt M8 x 30 DIN 933 8.8 FZV
10250	2	Bolt M8x35
10259	2	Bolt M8x60
10352	4	Bolt M12 x 40 DIN 933 8.8 FZV
12047	100	Washer 8,4 DIN 125A -140HV FZV
12067	8	Washer 13 DIN 125A -140HV FZV
12147	2	Washer 8,4 x 24 x 2 DIN 9021 FZV
12247	3	Spring washer 8,1 DIN 127 B FZV
13209	50	Lock nut M8
14111	1	Splint ø6x30
15052	2	Hairpin M2,5
57539	2	Bearing housing PFT47
59597	1	Bearing housing, linear
78390	1	Cylinder, outer 32x20x620
74918	2	Plastic cone
77524	1	Guide roller, front plastic binding
77525	1	Guide roller, rear plastic binding
77526	1	Guide roller, upper plastic binding
59398	1	Brake Roller Rubber
77528	1	Guiding roller 1, plastic
77545	1	Tube for plastic roller
77547	2	Spacer, tightener
77569	2	Shaft, linear bearing
77600	2	Net roll tightener
77609	1	Guiding roller 2, plastic
77614	1	Bottom frame
77730	2	Seamless tube ø21,3x3,2
80445	1	PVC tube





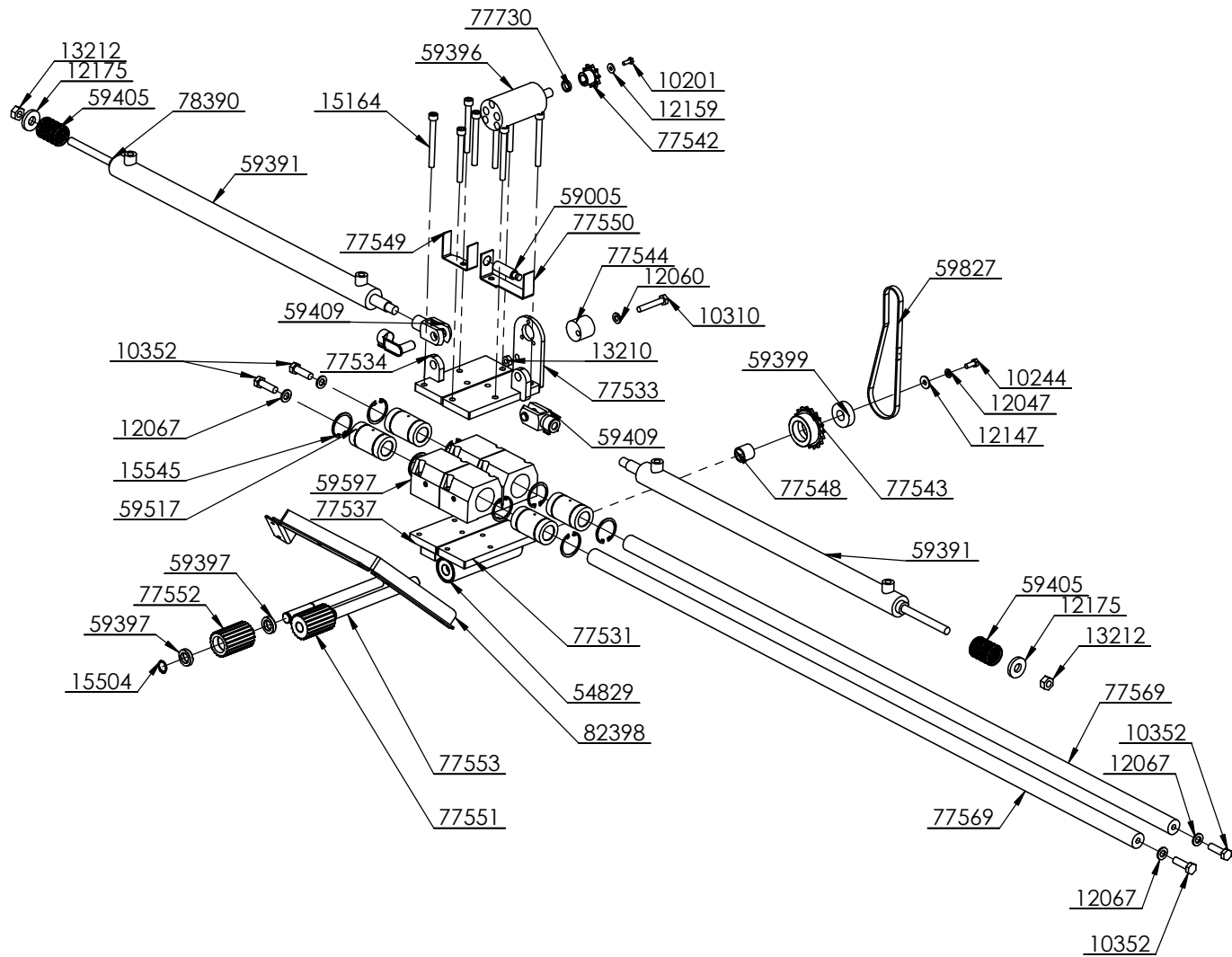
Part number	Qty	Description
10217	1	Bolt M6x50
10246	14	Bolt M8 x 25 DIN 933 8.8 FZV
10256	2	Bolt M8x50
10352	4	Bolt M12 x 40 DIN 933 8.8 FZV
10359	1	Bolt M12 x 60 DIN 931 8.8 FZV
10362	1	Bolt M12 x 75 DIN 931 8.8 FZV
10489	6	Bolt M16 x 40 DIN 933 8.8 FZV
112980	2	Lifting point
12047	100	Washer 8,4 DIN 125A -140HV FZV
12067	8	Washer 13 DIN 125A -140HV FZV
12078	12	Washer 17 DIN 125A -140HV FZV
12159	2	Washer 6,4 x 18 x 1,6 DIN 9021 FZV
12175	8	Washer ø40/17x6
12185	1	Washer ø28/16x3
13209	50	Lock nut M8
13211	2	Lock nut M12
13213	6	Lock nut M16
54501	2	Spring Ø23/Ø17x120
56453	1	Parallel Key 5x5x14
59055	1	Motor BGM32 C16SP
59387	2	Knife
78392	1	Cylinder, outer 35x15x19
77613	1	Cover, behind plastic knife
77616	1	Cover, brake motor
77730	2	Seamless tube ø21,3x3,2
79702	1	Spacer, counting wheel, plastic tying unit
82398	1	Stringer

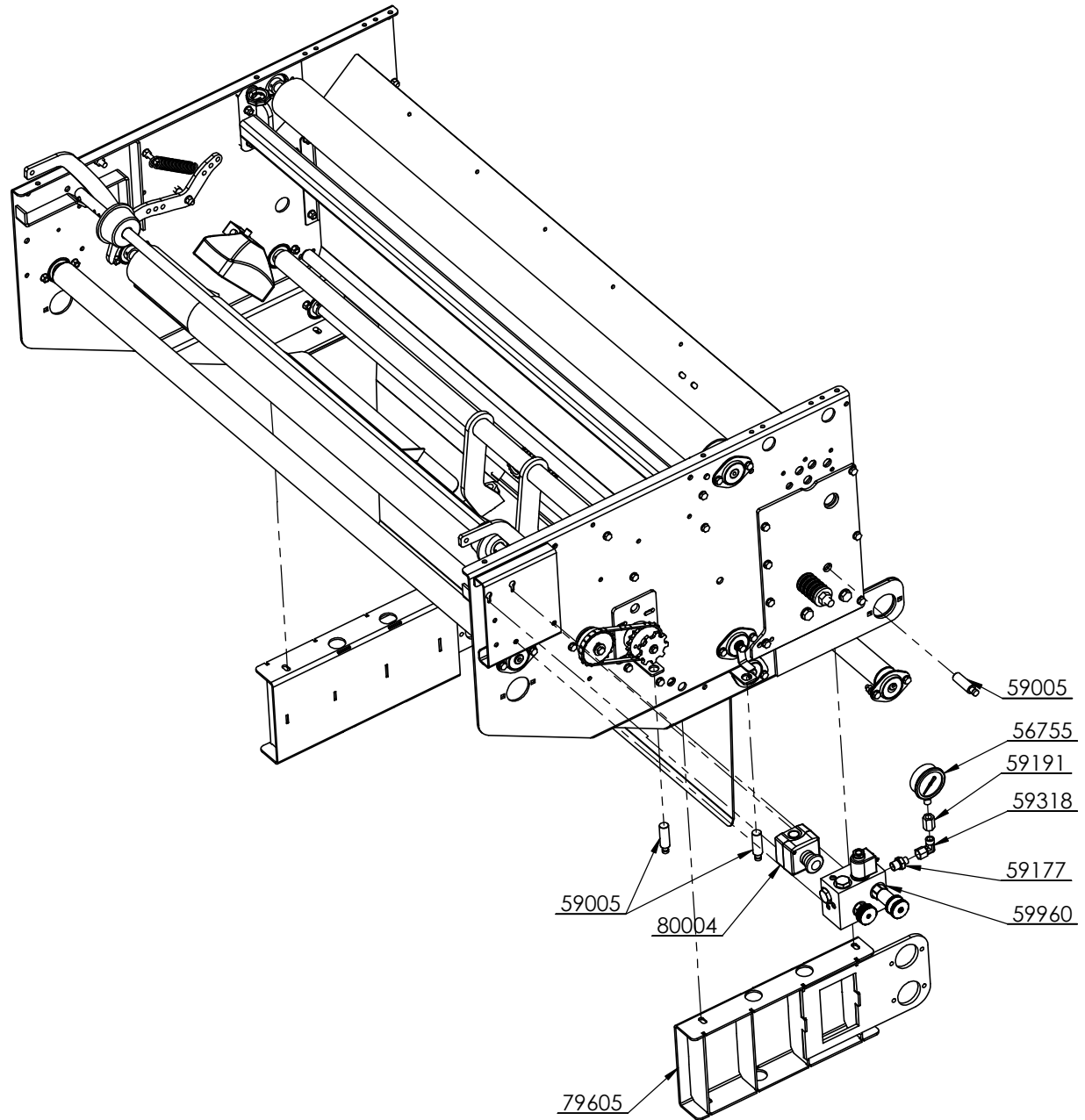




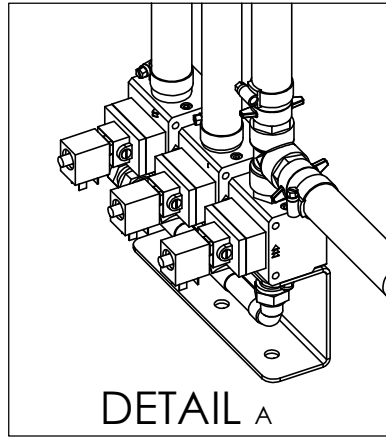
Part number	Qty	Description
10244	27	Bolt M8 x 20 DIN 933 8.8 FZV
10246	14	Bolt M8 x 25 DIN 933 8.8 FZV
10250	2	Bolt M8x35
10299	1	Bolt M10 x 30 DIN 933 8.8 FZV
10352	4	Bolt M12 x 40 DIN 933 8.8 FZV
12047	100	Washer 8,4 DIN 125A -140HV FZV
12060	4	Washer 10,5 DIN 125A -140HV FZV
12067	8	Washer 13 DIN 125A -140HV FZV
12175	8	Washer $\varnothing 40/17 \times 6$
13212	2	Lock nut M14
57537	12	Bearing SBPFL204
59005	5	Inductive transducer
59405	2	Spring
78036	1	Reinforcement, cylinder bracket, left

Part number	Qty	Description
10201	1	Bolt M6x16, threaded to head
10244	27	Bolt M8 x 20 DIN 933 8.8 FZV
10310	1	Bolt M10 x 60 DIN 931 8.8 FZV
10352	4	Bolt M12 x 40 DIN 933 8.8 FZV
12047	100	Washer 8,4 DIN 125A -140HV FZV
12060	4	Washer 10,5 DIN 125A -140HV FZV
12067	8	Washer 13 DIN 125A -140HV FZV
12147	2	Washer 8,4 x 24 x 2 DIN 9021 FZV
12159	2	Washer 6,4 x 18 x 1,6 DIN 9021 FZV
12175	8	Washer $\varnothing 40/17 \times 6$
13210	3	Lock nut M10
13212	2	Lock nut M14
15504	1	Circlip A20x1,2
54829	2	Bearing 6004 2RS
59005	5	Inductive transducer
59597	1	Bearing housing, linear
59517	1	Bearing, linear
15545	2	Seegering 1 50 x 1,75 DIN 472
59391	2	Cylinder 32x20x620
78390	1	Cylinder, outer 32x20x620
59396	1	Motor BGM50 C16SP
59397	2	Bearing 6804 2RS
59399	1	Bearing ZZ 6204 P, one-way
59405	2	Spring
59409	2	Fork head
59827	1	Chain 1/2"
77531	1	Bracket for bearings, driveshaft
77533	1	Cylinder fastener, driveshaft
77534	1	Cylinder fastener, impeller
77537	1	Bracket for bearings, impeller
77542	1	Sprocket 08B z10
77543	1	Sprocket 08B z19
77544	1	Chain tightener
77548	1	Spacer, driveshaft
77549	1	Sensor bracket 1
77550	1	Sensor bracket 2
77551	1	Driveshaft feeding sprocket
77552	1	Impeller, feeding
77553	1	Driveshaft
77569	2	Shaft, linear bearing
77730	2	Seamless tube $\varnothing 21,3 \times 3,2$
82398	1	Stringer
15164	8	Bolt M10 x 100 ISO 4762

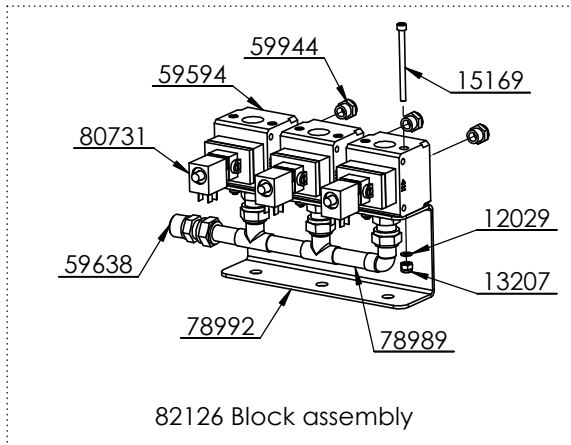




Part number	Qty	Description
56755	1	Manometer
59005	5	Inductive transducer
59177	1	Adaptor 3/8"-1/4"
59191	1	Coupling 1/4"
59318	1	Elbow 1/4" utv. 1/4" innv.
59960	1	Comatrol HIC3 (net/film system)
79605	2	Bracket
80004	1	Emergency switch

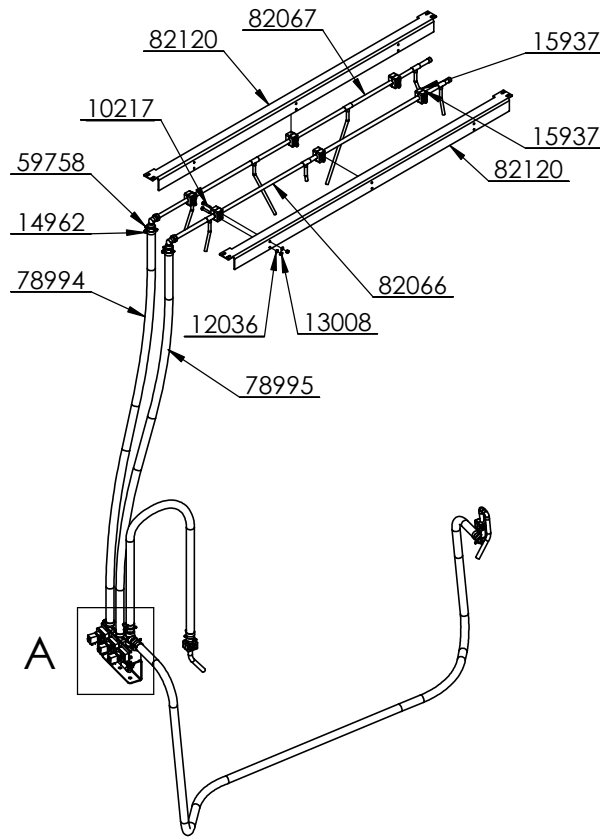


DETAIL A



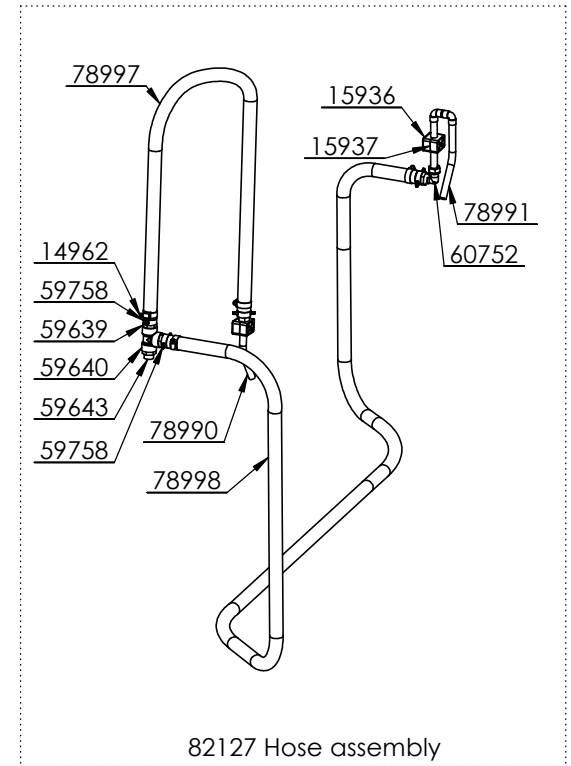
82126 Block assembly

Part number	Qty	Description
12029	6	Washer M5 DIN 125A
13207	6	Nut M5 DIN 985
15169	6	Bolt M5 x 70 ISO 4762
59594	3	Block valve
59638	4	Pipe coupling
59944	3	Filter plug 1/4"
78989	1	Branch tube
59634	2	T-connection, copper
59636	1	Elbow 15mm, copper
78992	1	Bracket for valves
80731	3	Coil 24 Vdc/48Vac 3,1W



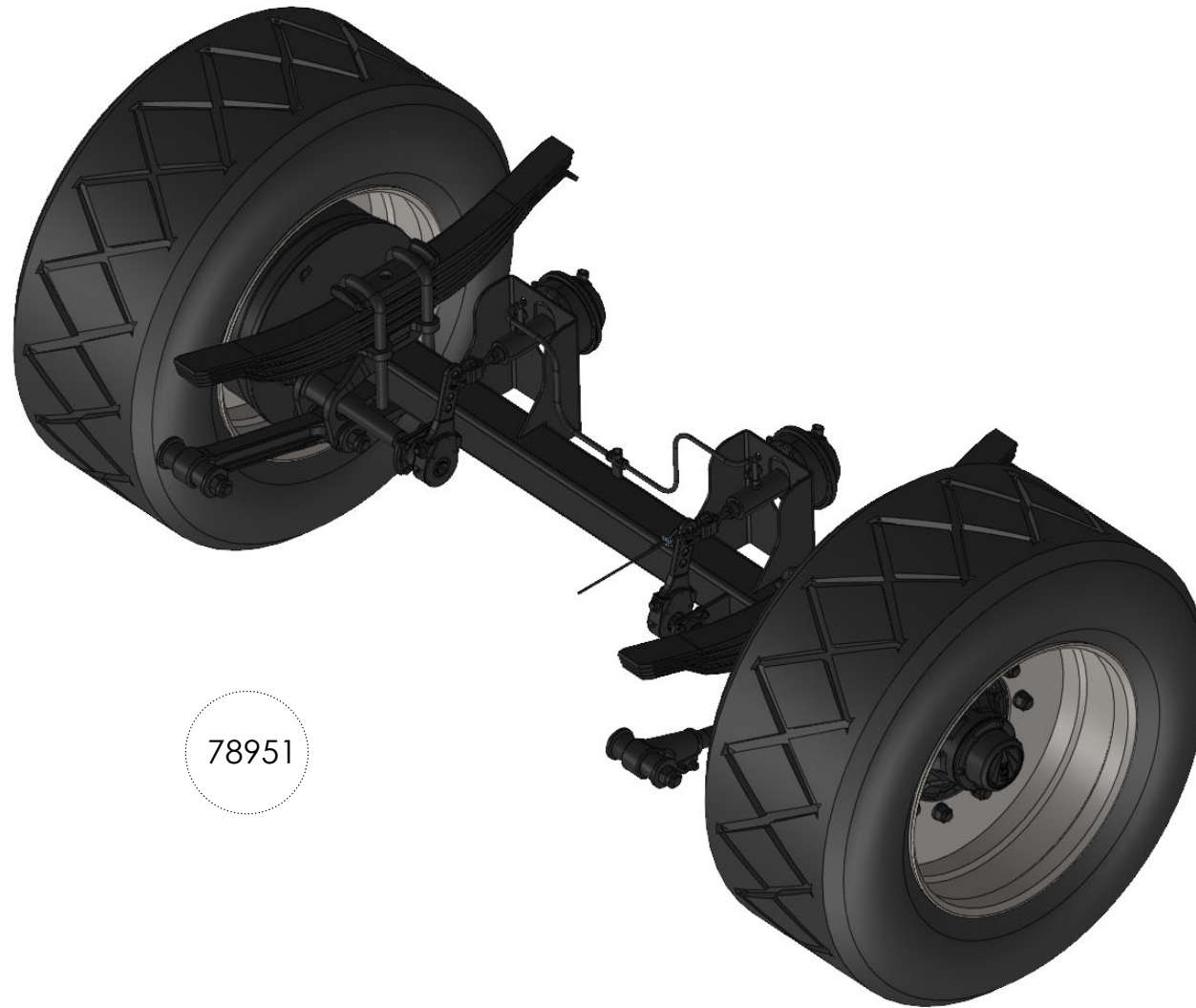
A

Part number	Qty	Description
10217	12	Bolt M6x50
12036	12	Washer 6,4 DIN 125A -140HV FZV
13008	12	Nut M6
14962	4	Hose clamp 22-32mm
15937	12	Tube clamp, plastic
59758	4	Hose tail
78994	1	Airhose 1, film system L=2500
78995	1	Airhose 2, film system L=2500
82066	1	Complete tubing front, air cleaning
82067	1	Complete tubing rear, air cleaning
82120	2	Railing, air cleaning system,
82126	1	Block assembly
82127	1	Hose assembly



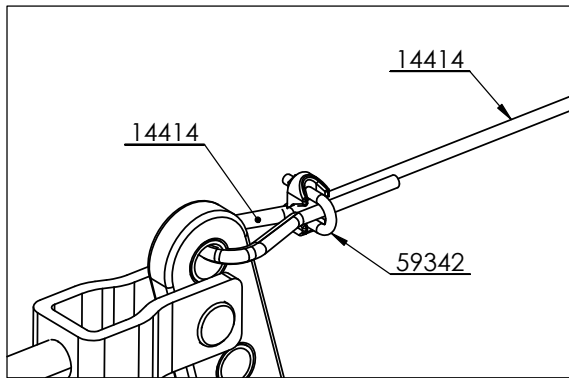
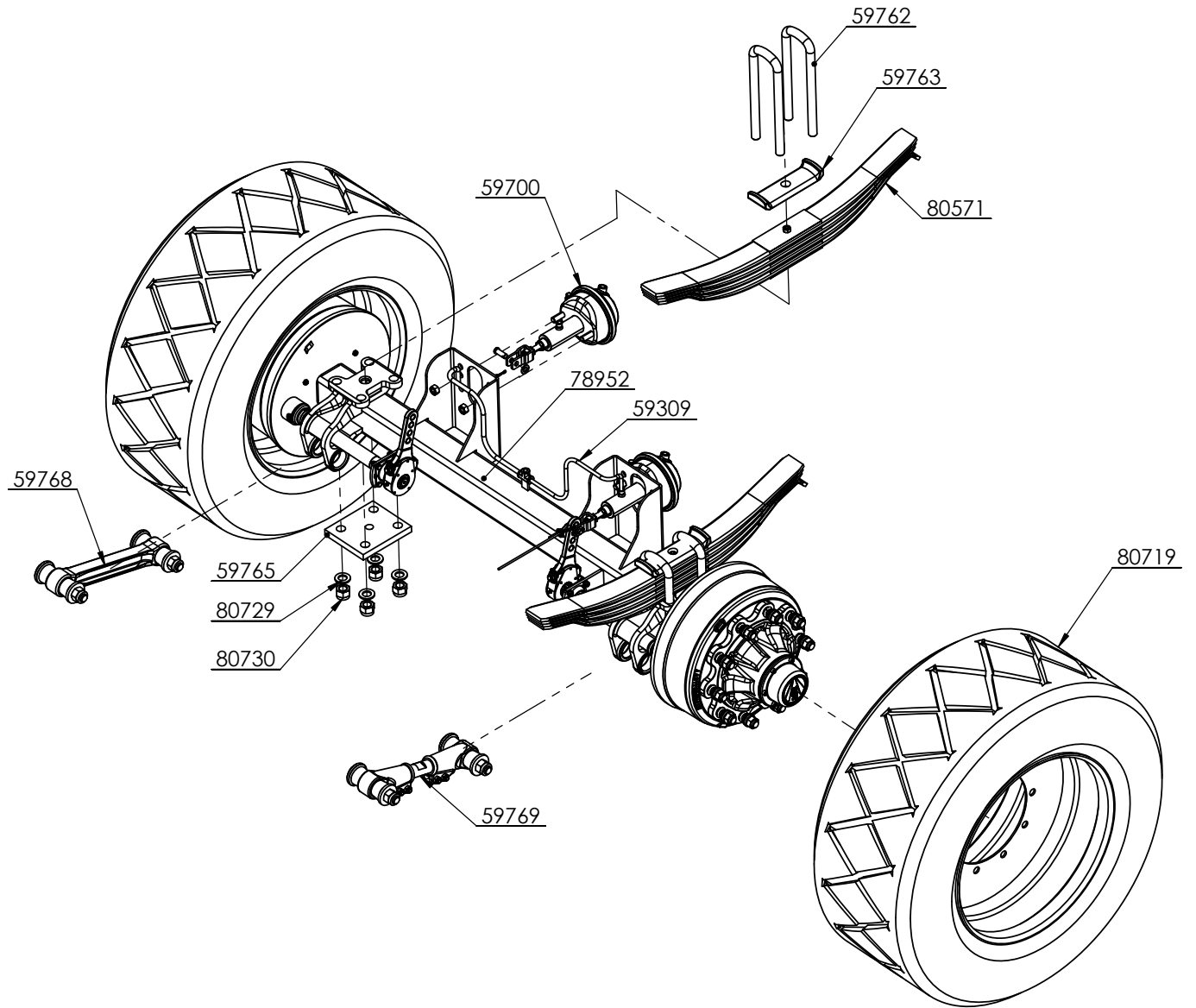
82127 Hose assembly

Part number	Qty	Description
14962	4	Hose clamp 22-32mm
15936	2	Top plate for plastic tube clamp
15937	4	Tube clamp, plastic
59638	1	Pipe coupling
59639	3	Transition nipple
59640	1	Tee tube
59643	1	Nipple 3/4" x 1/2"
59758	4	Hose tail
60752	1	Swaged elbow coupling
78990	1	Tube for spill tray right
78991	1	Tube for spill tray left
59636	2	Elbow 15mm, copper
78990	1	Tube for spill tray right
78997	1	Airhose 1, spill tray L=450
78998	1	Airhose 2, spill tray L=3100



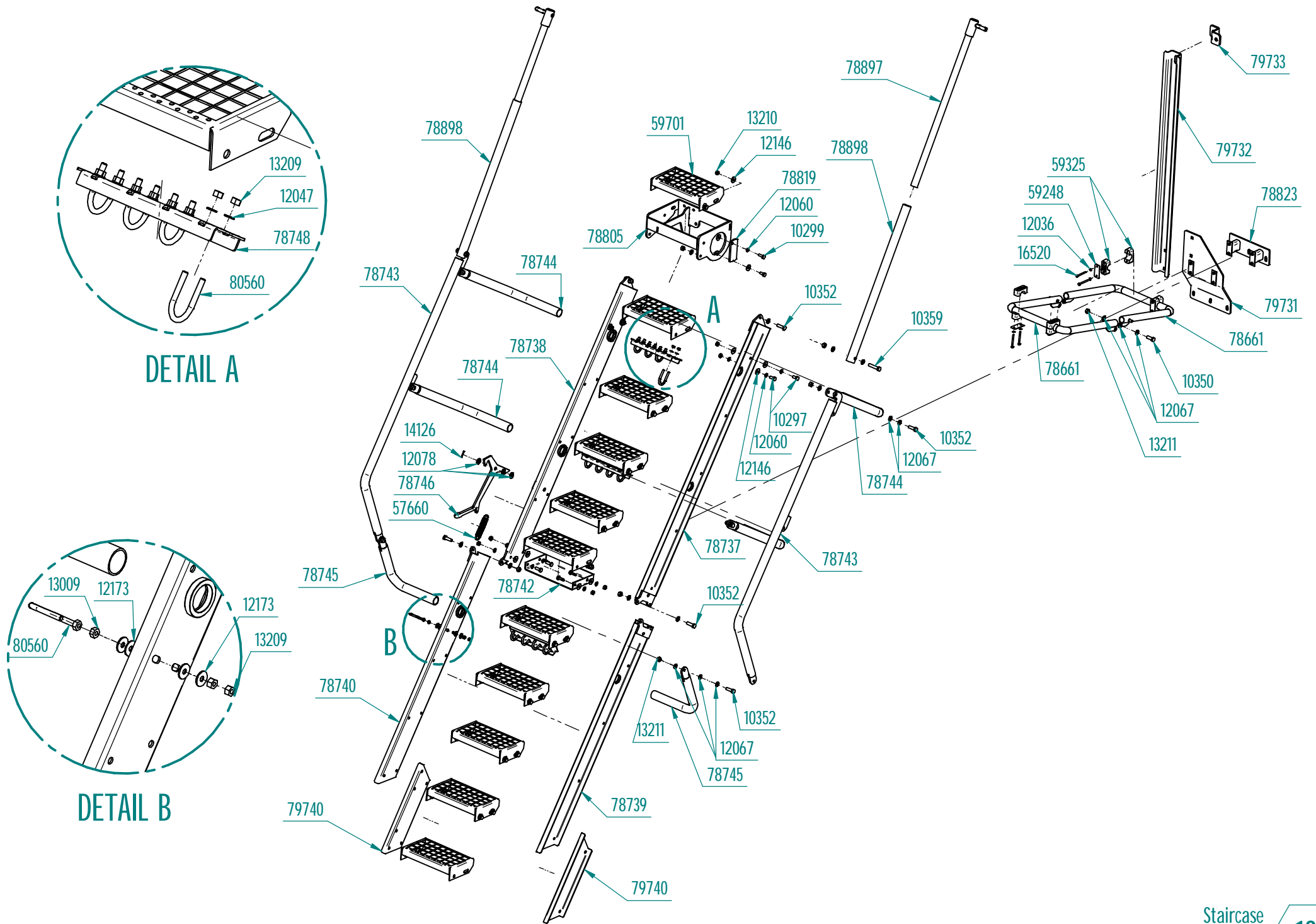
78951

Part number	Qty	Description
14414	1	Wire Ø5
59313	2	Wire guide
59342	9	Wire clamp 5 mm
59700	2	Combi Air/Hydr. Brake T20
78952	1	Axle 10 bolt
80571	2	Leaf spring
80719	2	Wheel 385/65R22,5 10 bolts
59768	1	Torque arm fixed
59769	1	Torque arm adjustable
59765	2	Bottom plate for leaf spring
59762	4	U-bolt
59763	2	Top plate for leaf spring
80729	8	Washer
80730	8	Nut
59309	2	Hydraulic hose 1/4" L=390





79457

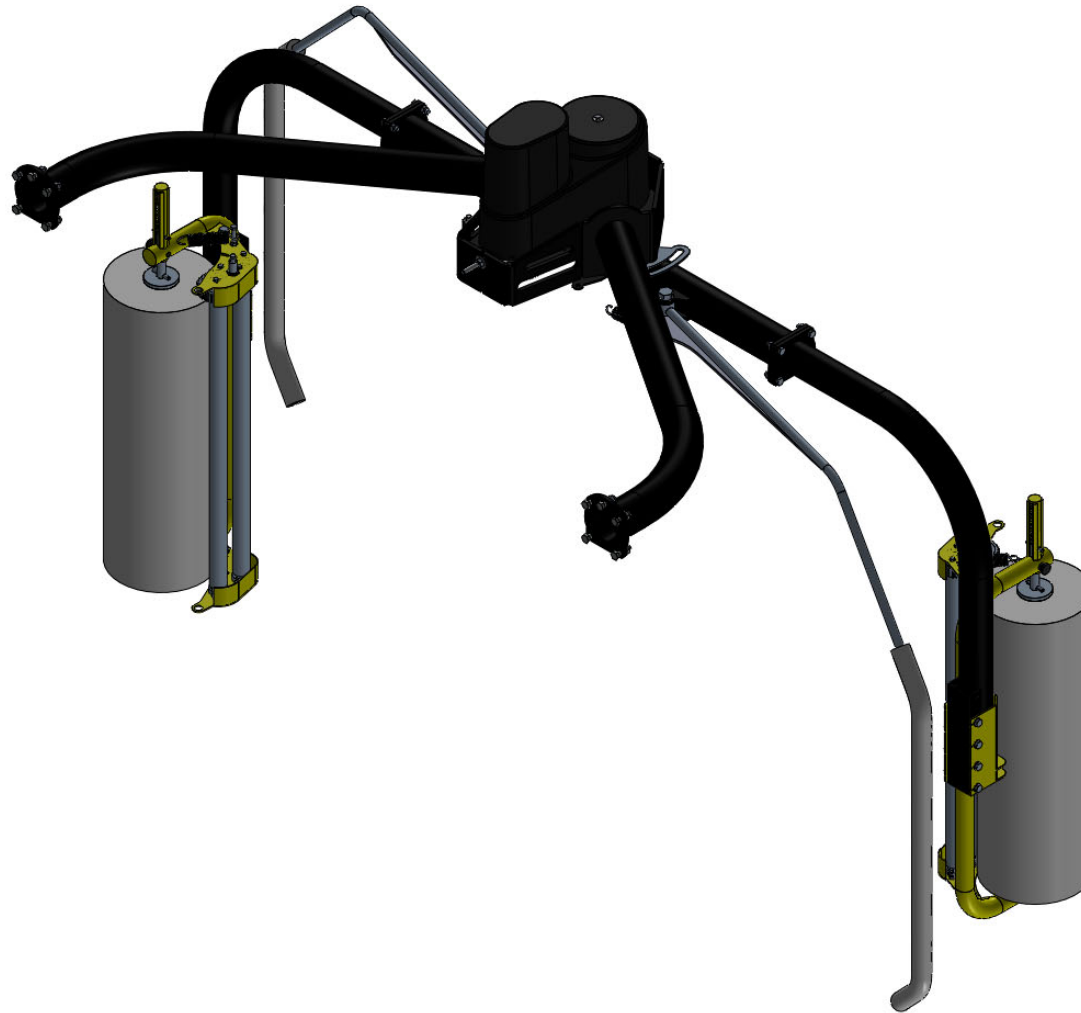


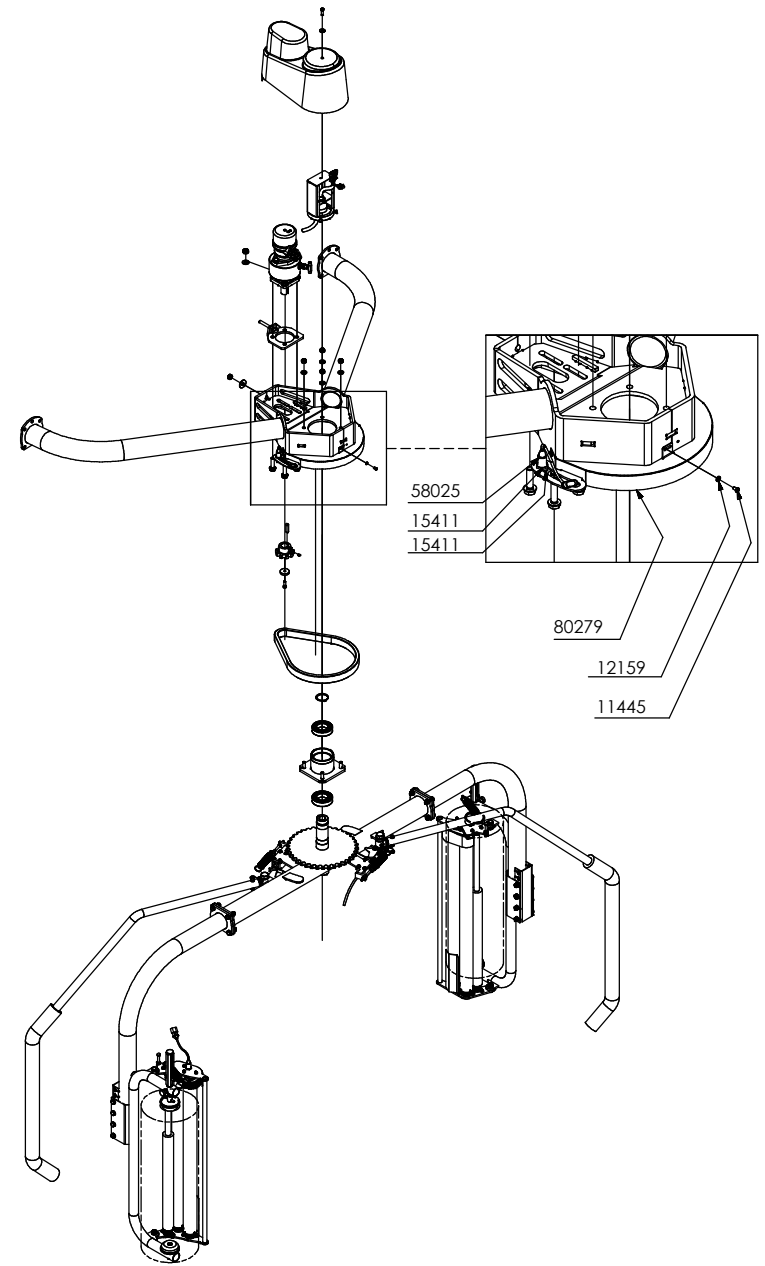
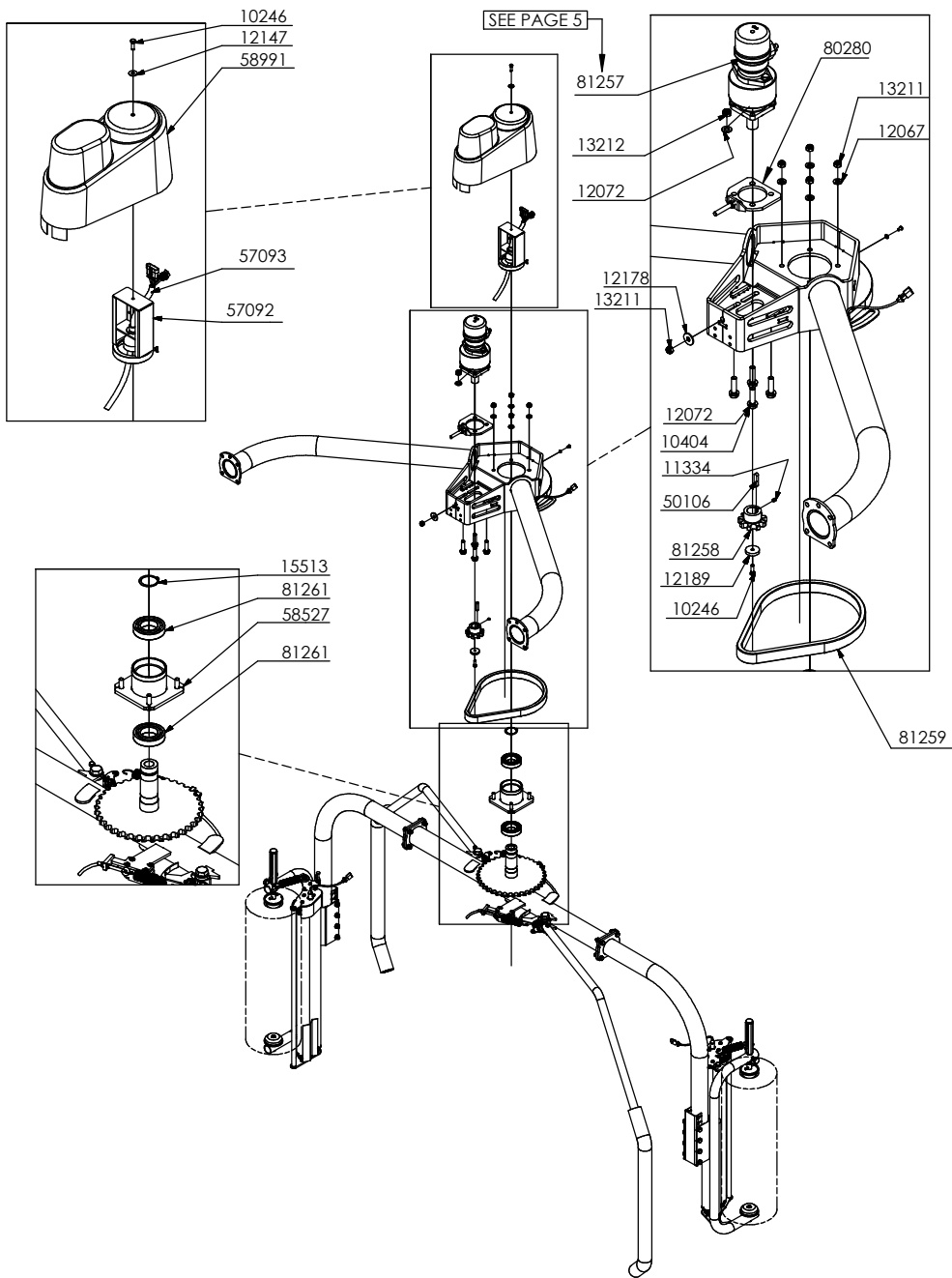
DETAIL A

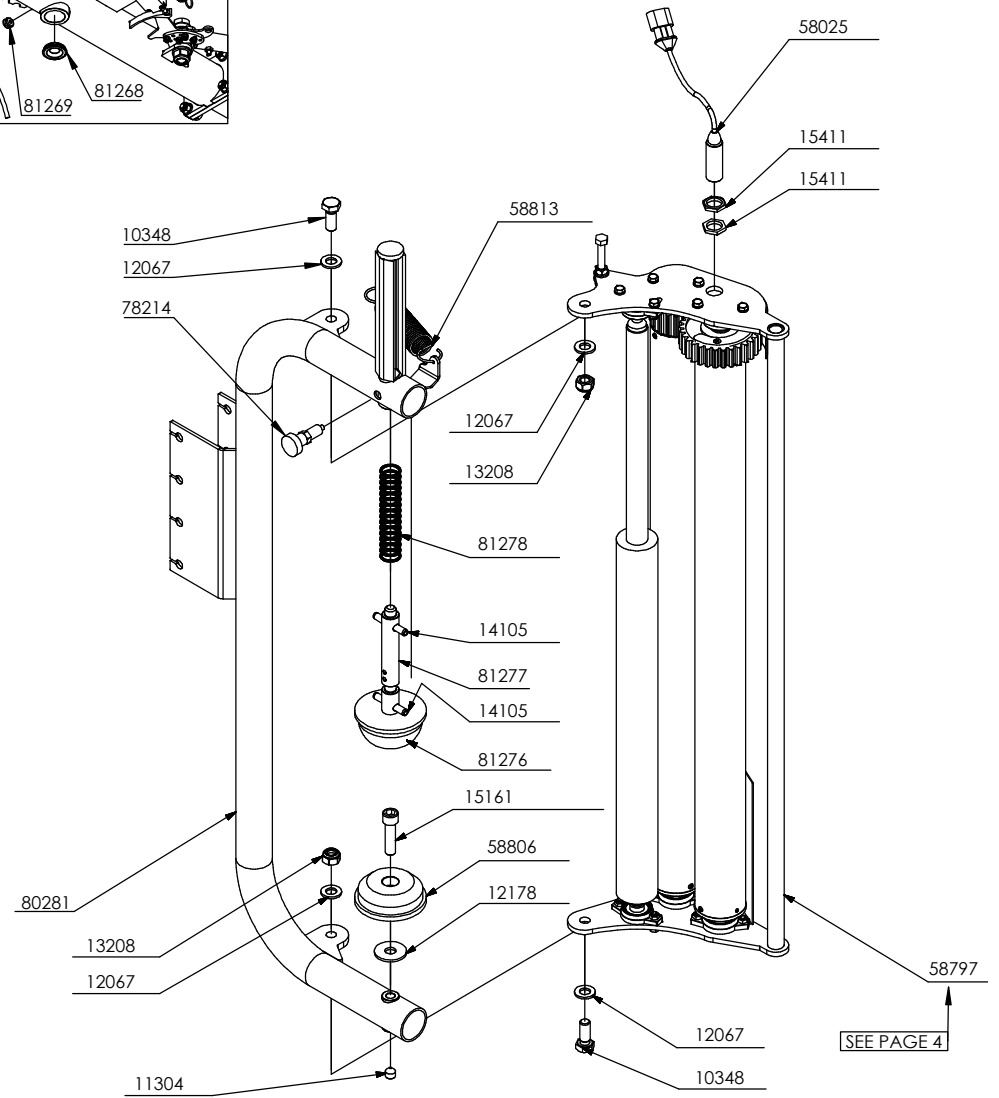
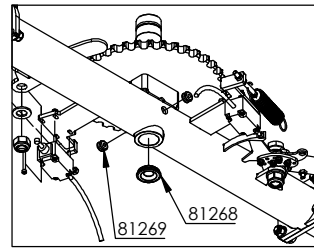
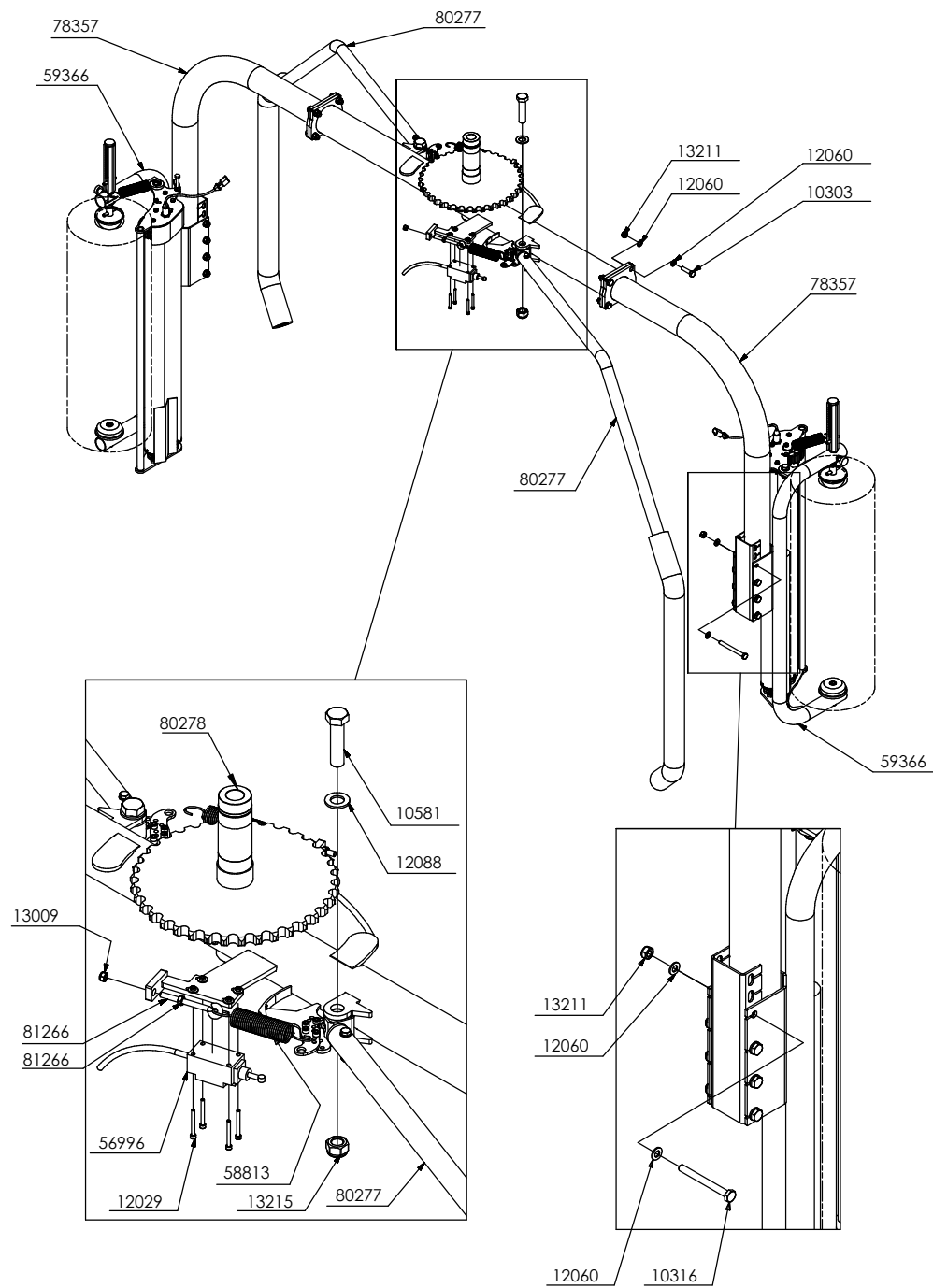
DETAIL B

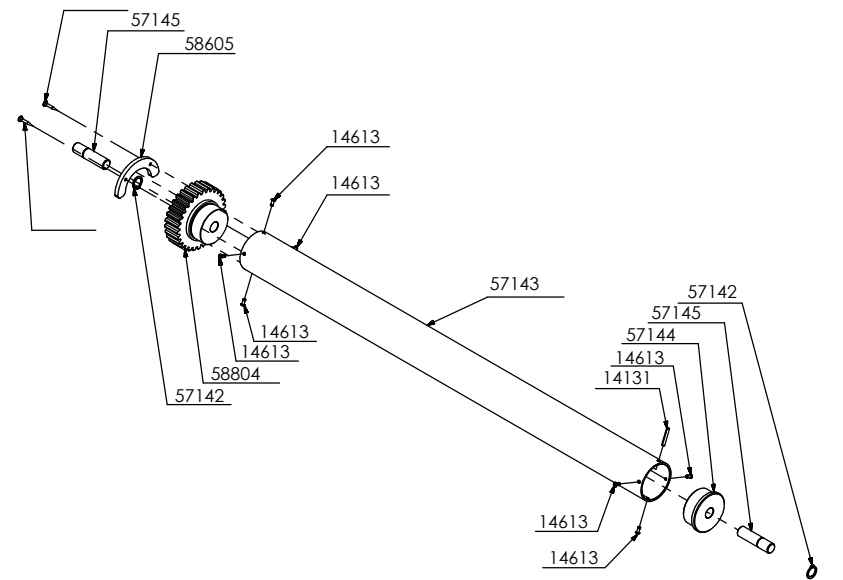
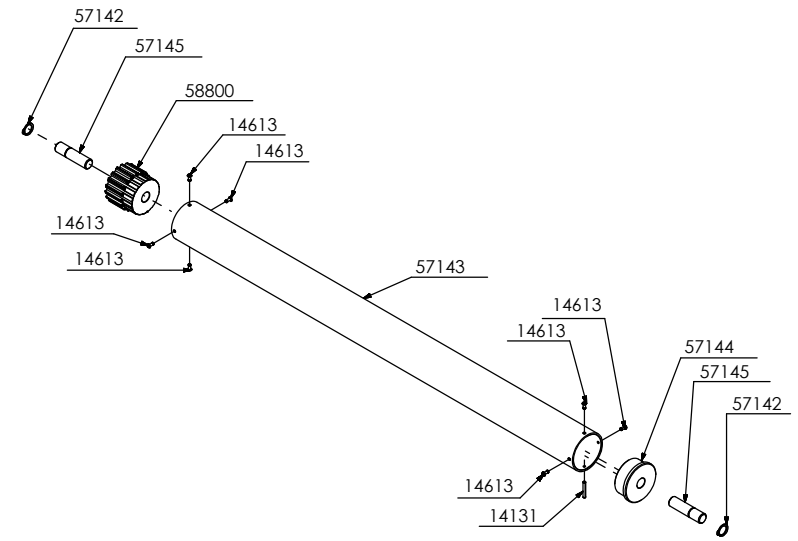
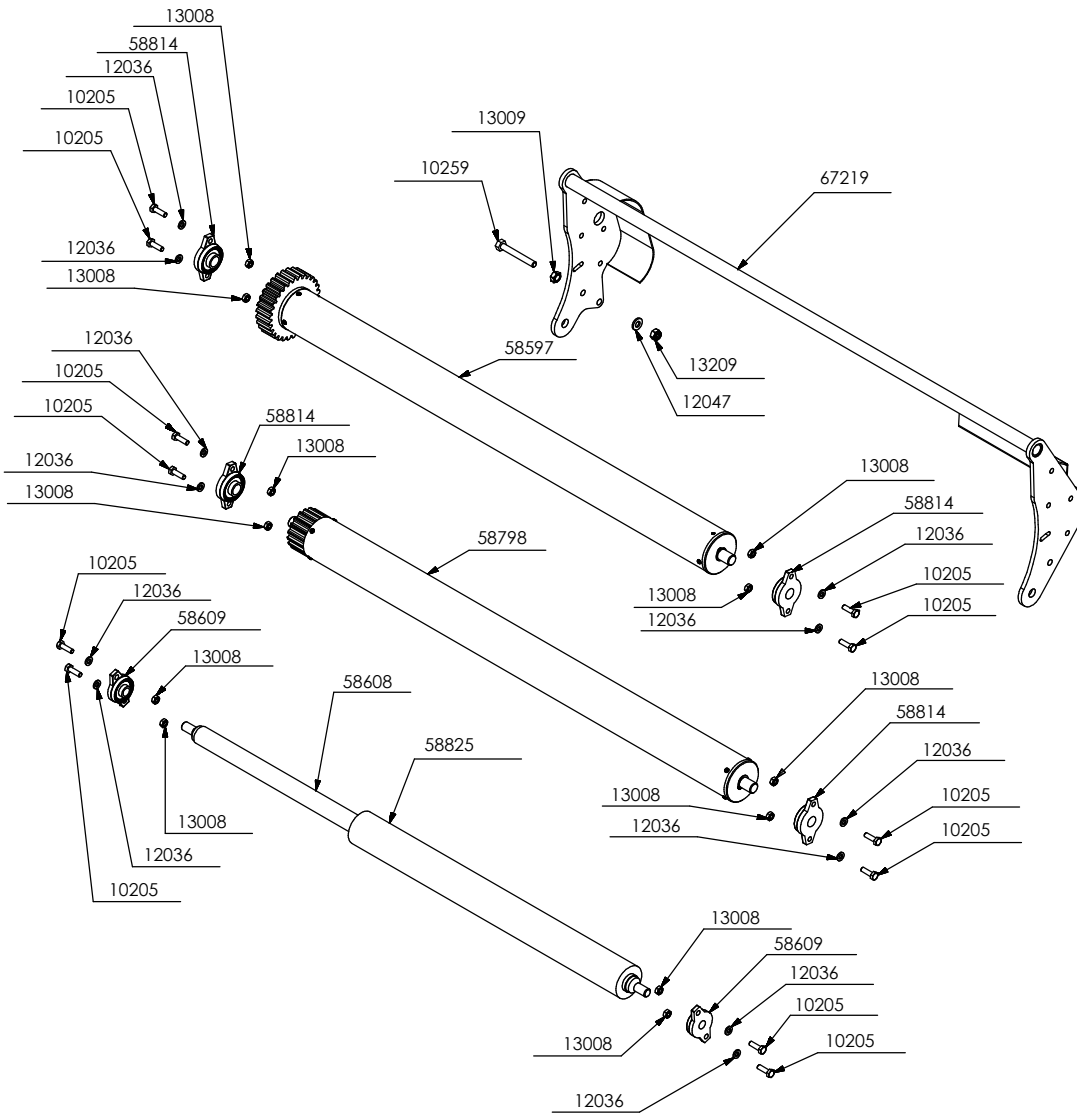
Part Number	Qty.	Title
10297	33	Bolt M10x25
10299	8	Bolt M10x30
10350	2	Bolt M12x35
10352	10	Bolt M12x40
10359	2	Bolt M12x60
12036	8	Washer M6
12047	24	Washer M8
12060	62	Washer M10
12067	36	Washer M12
12078	3	Washer M16
12146	60	Washer \varnothing 30/10,5x2,5
12173	4	Washer \varnothing 24/8,4x2
13009	2	Nut M8
13209	26	Lock nut M8
13210	41	Lock nut M10
13211	14	Lock nut M12
14126	1	Splint M4x32
16520	8	Bolt M6x65, untreated, black
57660	1	Spring, \varnothing 21/15, L=107, N=24
59248	4	Top plate for plastic clamp
59325	8	Plastic clamps 35 mm
59701	11	Step
78661	2	Supporting bow
78737	1	Side top right

Part Number	Qty.	Title
78738	1	Side top left
78739	1	Side down right
78740	1	Side down left
78742	1	Block plate
78743	2	Rail
78744	4	Arm, upper
78745	2	Arm, lower
78746	1	Lock arm
78748	3	Clamp lock
78805	1	Fastener for staircase and platform
78819	1	Support for step
78823	1	Fastening bracket for staircase, lower
78897	2	Telescope, upper
78898	2	Telescope, lower
79731	1	Fastener for staircase
79732	1	Stiffener, staircase
79733	1	Stiffener mounting, staircase
79740	2	Extension, staircase
80560	13	U-clamp 42mm

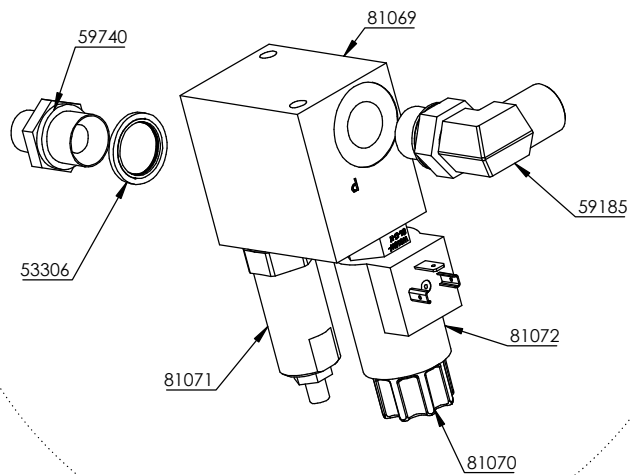




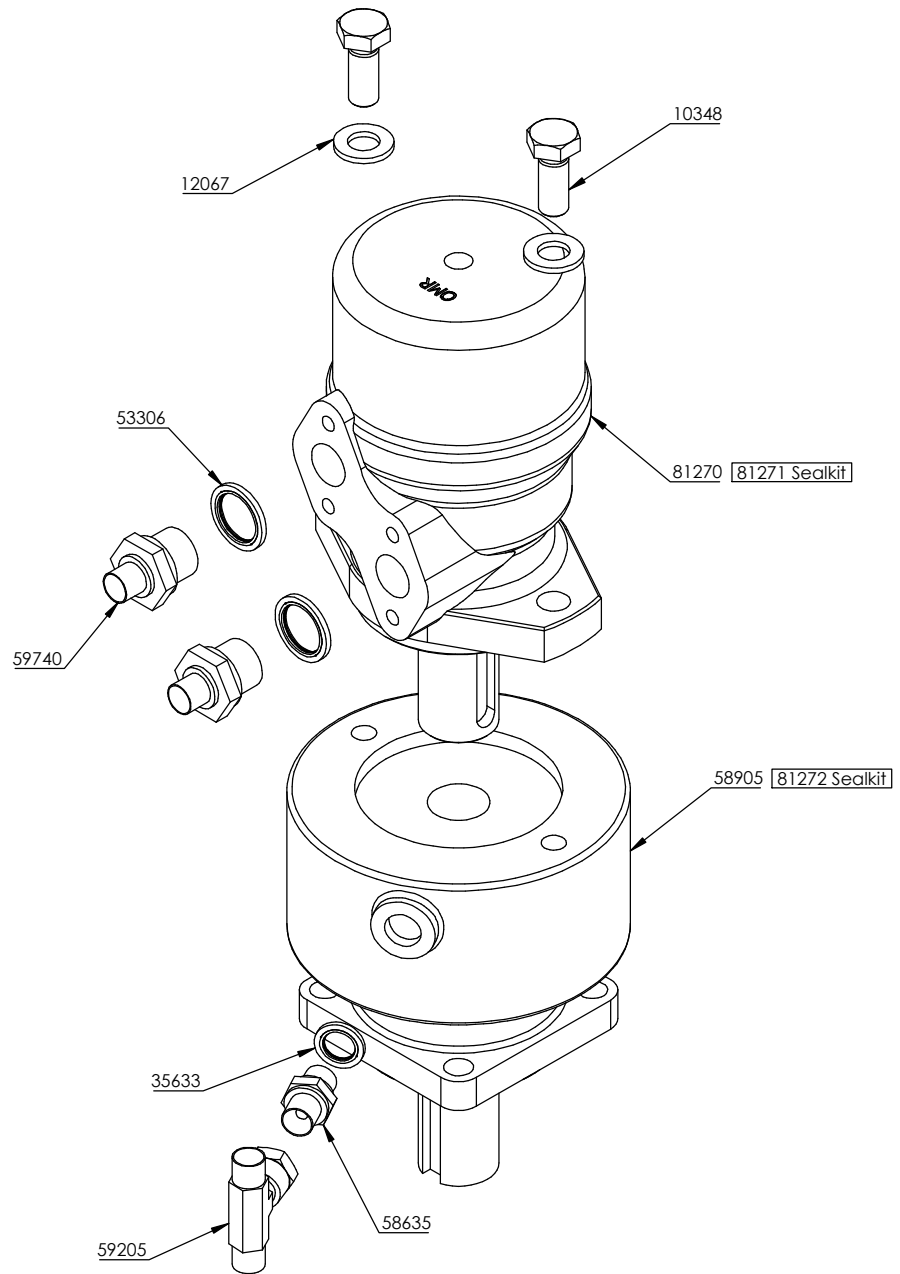




Mounted on frame
81073 Valve block assembly with 24V coil



81257
Wrapping
motor
assembly



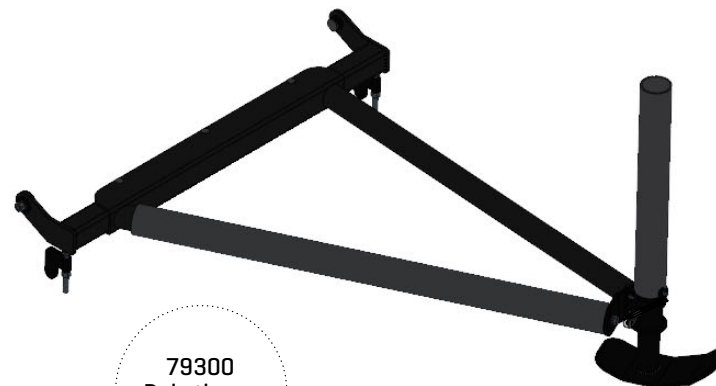
PART NUMBER	QTY.	DESCRIPTION
10205	12	Bolt M6x20
10246	2	Bolt M8x25
10259	1	Bolt M8x60
10303	8	Bolt M10x40
10316	8	Bolt M10x100
10348	6	Bolt M12x30
10404	4	Bolt M14x55, DIN 933
10581	2	Bolt M20x80
11304	2	Set screw M12x45
11334	1	Set screw M8x10
11445	3	Bolt M6x10
12029	8	Washer M5
12036	12	Washer M6
12047	2	Washer M8
12060	32	Washer M10
12067	14	Washer M12
12072	8	Washer M14
12088	2	Washer M20
12147	1	Washer ø24/8,4x2
12159	3	Washer ø18/6,4
12178	3	Washer ø37/13x3
12189	1	Washer ø40/9x4
13008	12	Nut M6
13009	3	Nut M8
13208	4	Lock nut M6
13209	1	Lock nut M8
13211	21	Lock nut M12
13212	4	Lock nut M14
13215	2	Lock nut M20
13624	2	Screw 3,5 x 25
14105	4	Splint ø8x50
14131	2	Spring pin 4x26 DIN 1481
14613	14	Pop-riquet 3,2 x 10
15161	2	Bolt M12x45, cylinderhead
15411	6	Lock nut M18
15513	1	Circlip A50x2,0
35633	1	Bonded seal 1/4"
50106	1	Key 10x8x45
53306	3	Gasket 1/2

56996	2	Stop switch
57092	1	Bracket, charcoal
57093	1	Slip ring module
57142	4	Spring retaining ring
57143	2	Roll tube
57144	2	Roll head
57145	4	Shaft
58025	3	Inductive Sensor M18 with cable
58527	1	Bearing housing
58597	1	Tension roller
58605	1	Inductive sensor, transducer
58608	1	Clamp roller
58609	2	Bearing UFL000N
58635	1	Fitting 1/4"-1/4"
58797	2	Roller frame compl.
58798	1	Drive roller
58800	1	Sprocket
58804	1	Sprocket
58806	2	Bearing, lower
58813	4	Spring
58814	4	Bearing UFL002N
58825	1	Soft roll
58905	1	Brake, wrapping arms
58991	1	Upper housing
59185	1	Fitting 1/2 - 1/2
59205	1	BSP Tee 1/4
59366	2	Film stretcher, complete
59740	3	Fitting 1/4 - 1/2
67219	1	Film stretcher, frame for rollers
78214	2	Fastening bolt M10, film stretcher
78357	2	Rotation arm
80277	2	Emergency stop arm
80278	1	Rotating arms, axle
80279	1	Chain guard
80280	1	Adjusting plate M14
80281	2	Film stretcher, frame
81069	1	Housing
81070	1	Cartridge valve WS10W
81071	1	Safety valve
81072	1	Coil for WS10W, 24V

81073	1	Valve block assembly, with 24V coil
81257	1	Wrapping motor assembly
81258	1	Chain wheel 1" Z9
81259	1	Chain 1"
81261	2	Bearing 6210 2RS
81266	2	Spring tensioner
81268	1	Rubber plug 37x3
81269	2	Rubber grommet 12x7
81270	1	Motor
81271	1	Sealkit, motor
81272	1	Sealkit, brake
81276	2	Film holder upside
81277	2	Upper axle
81278	2	Spring



77727
Airbrakes
page 2



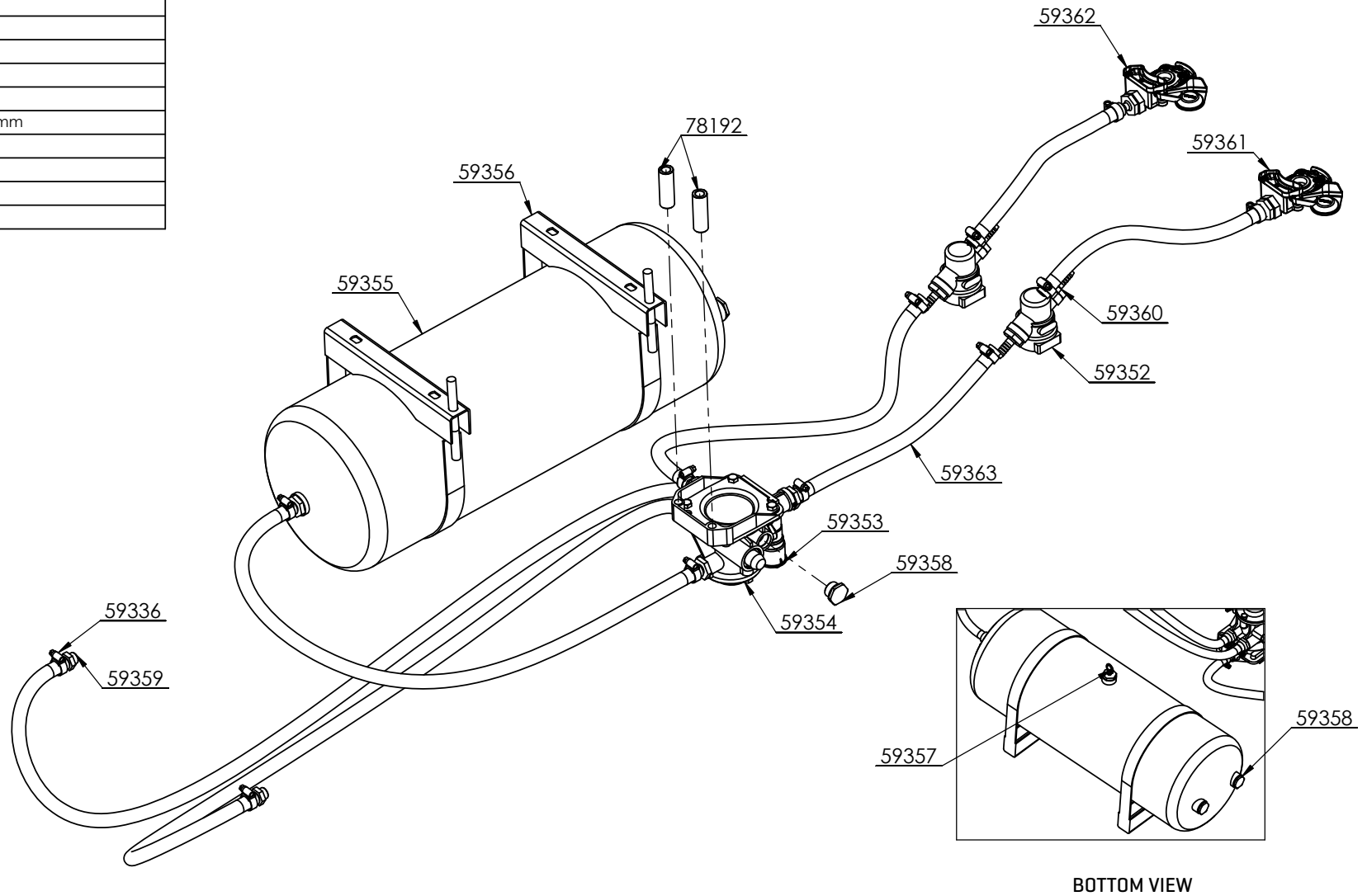
79300
Bale tipper
page 3

80654
Remote
controller
page 4

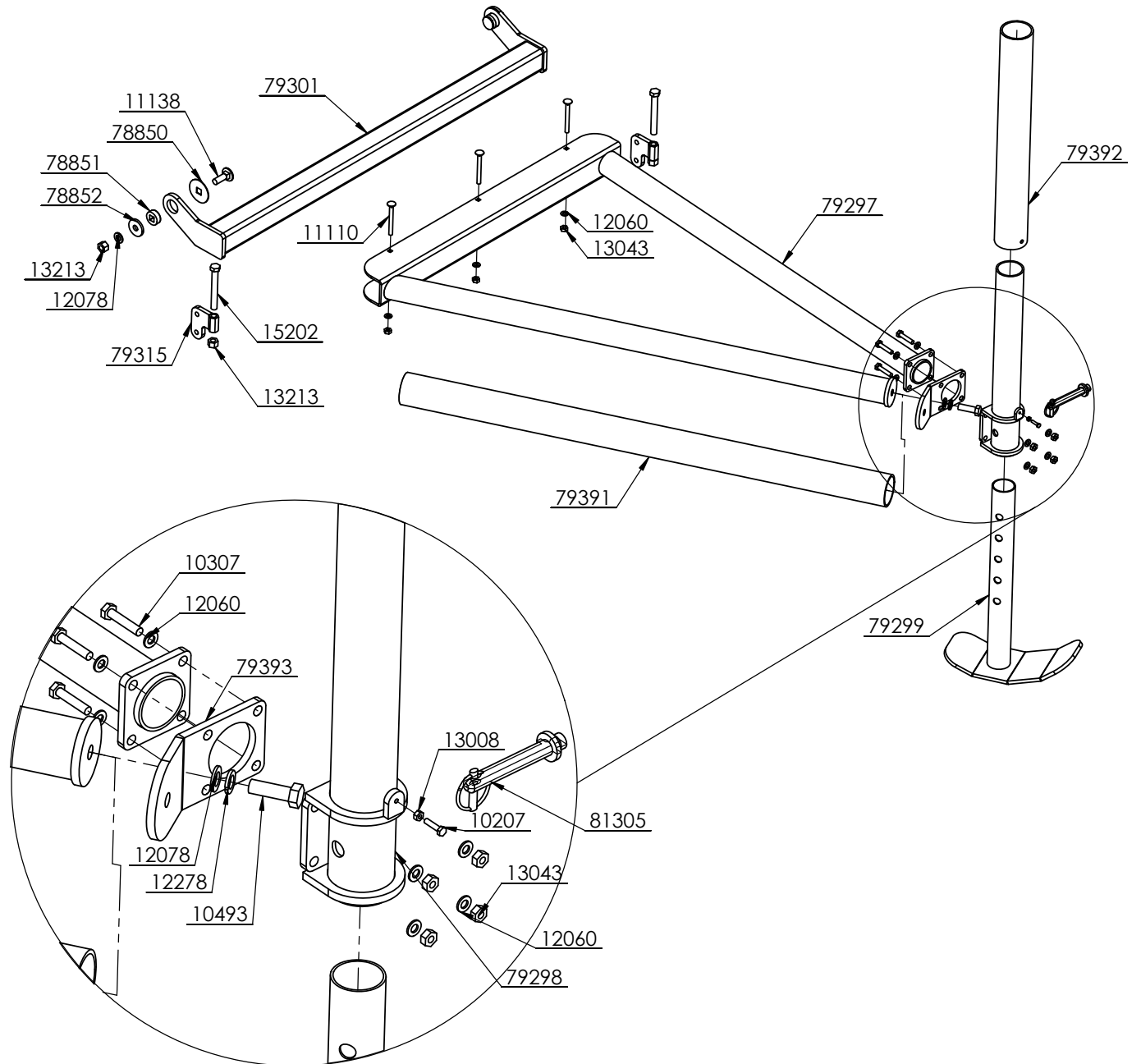


79729
Sticky
materials kit
page 5

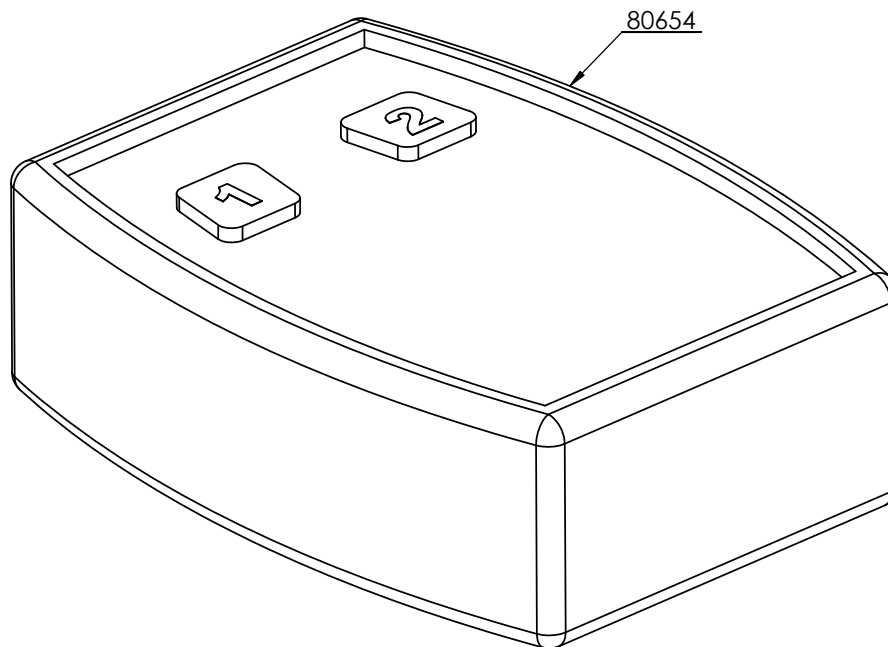
Part number	Qty	Description
78192	2	Chain tensioner bolt
59355	1	Air tank
59357	1	Tank valve
59358	3	Plug M22
59360	11	Nipple M22
59354	1	Brake valve
59353	1	Release valve
59359	3	Nipple M16
59352	2	Filter
59336	14	Hose clamp 15-24mm
59361	1	Coupling head
59362	1	Coupling head
59356	2	Clamp for air tank
59363	1	Hose



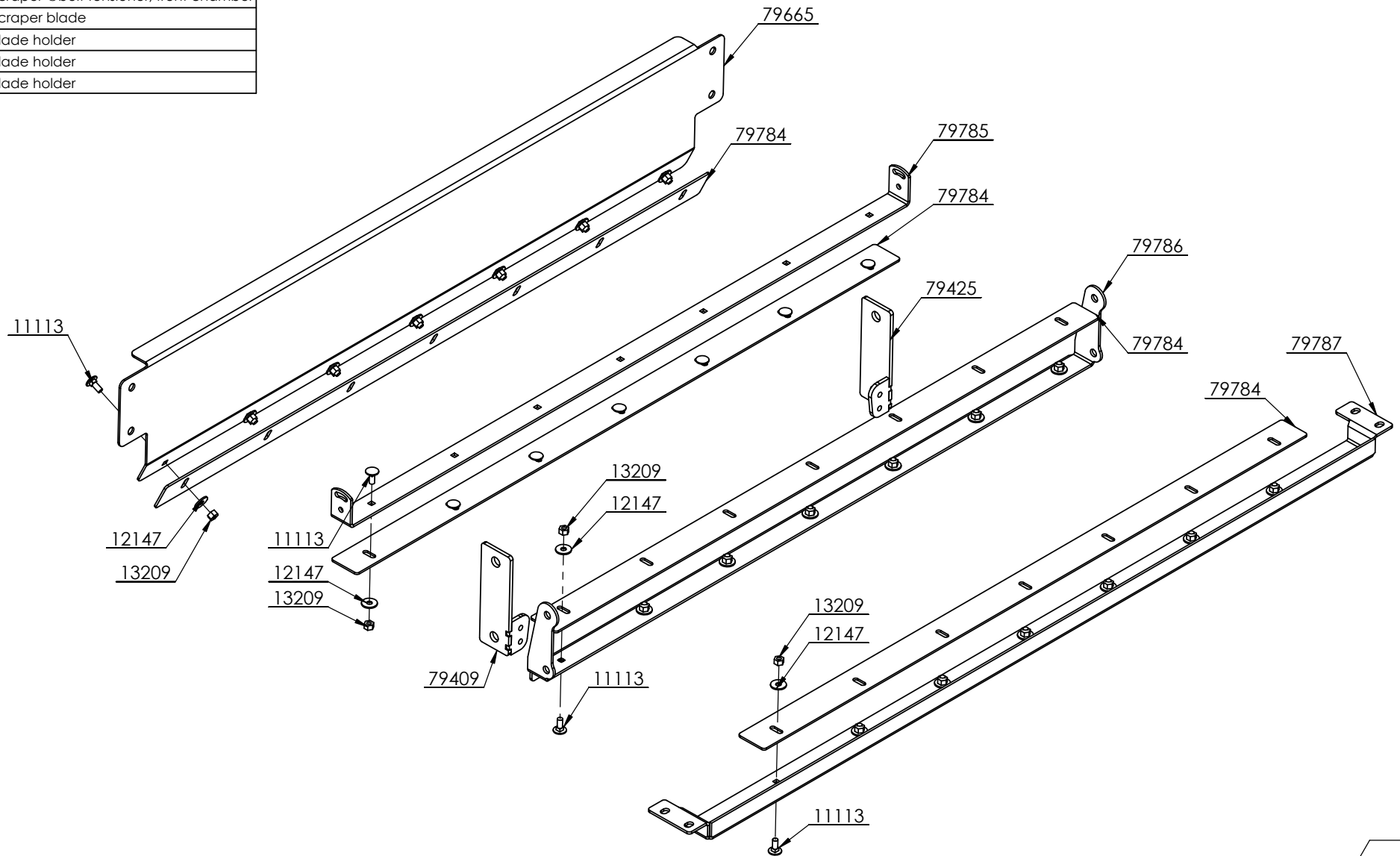
Part number	Qty	Description
10207	1	Bolt M6x25, threaded to head
10307	4	Bolt M10 x 50 DIN 931 8.8 FZV
10493	1	Bolt M16 x 50 DIN 933 8.8 FZV
11110	3	Lockinghead bolt M10x100
11138	2	Bolt M16x50 DIN 603 A4 80
12060	11	Washer 10,5 DIN 125A -140HV FZV
12078	3	Washer 17 DIN 125A -140HV FZV
12278	1	Spring washer 16,2 DIN 127 B FZV
13008	1	Nut M6
13043	7	Lock nut M10
13213	4	Lock nut M16
15202	2	Bolt M16x130, threaded to head
78850	2	Shim
78851	2	Spacer
78852	2	Lock washer
79297	1	Frame, triangle
79298	1	Bale stopper
79299	1	Support leg
79301	1	Bracket
79315	2	Stopper
79391	1	PVC pipe triangle
79392	1	PVC pipe vertical
79393	1	Bracket front
81305	1	Locking bolt with pin, 19x95



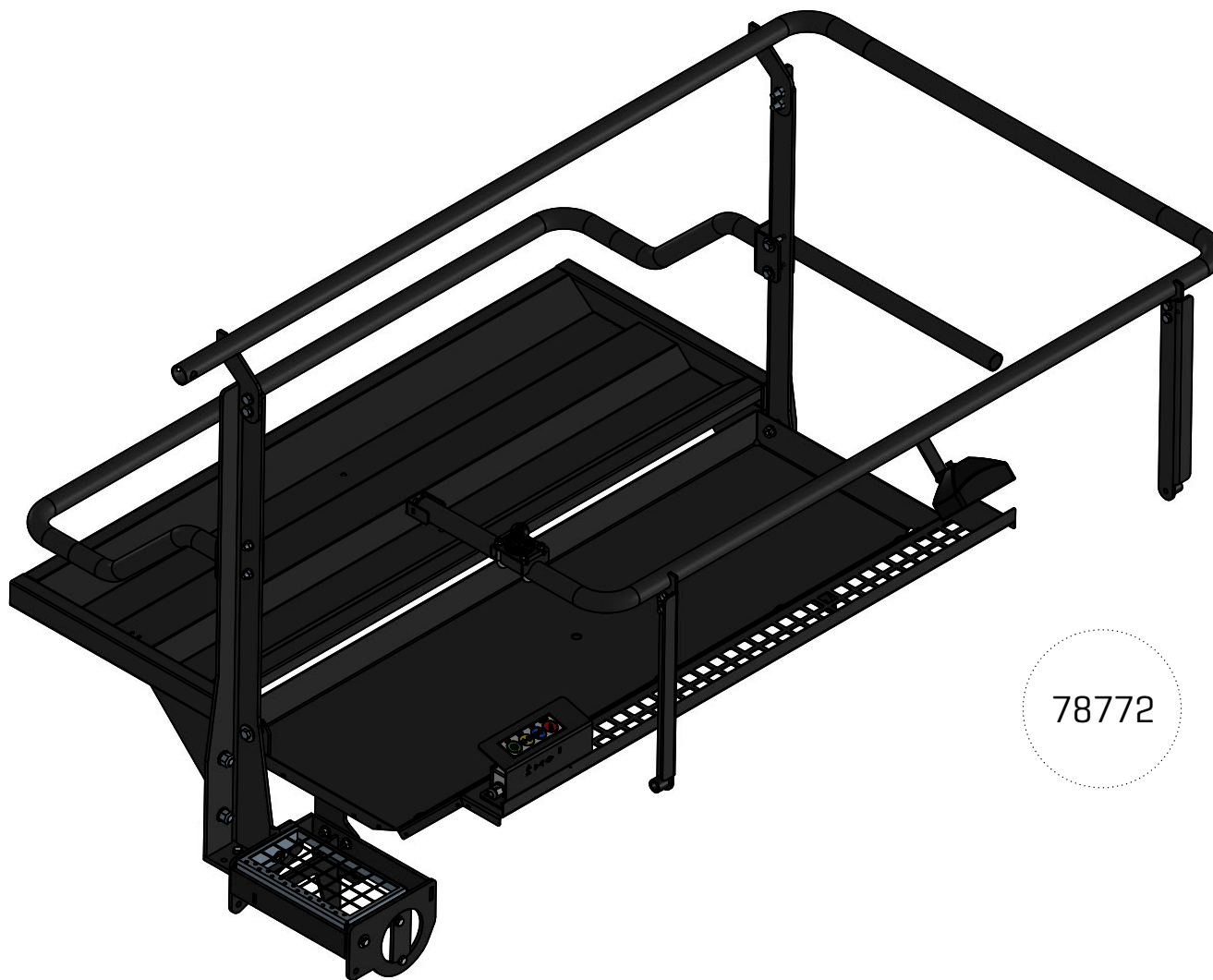
Part number	Qty	Description
80654	1	Remote controller



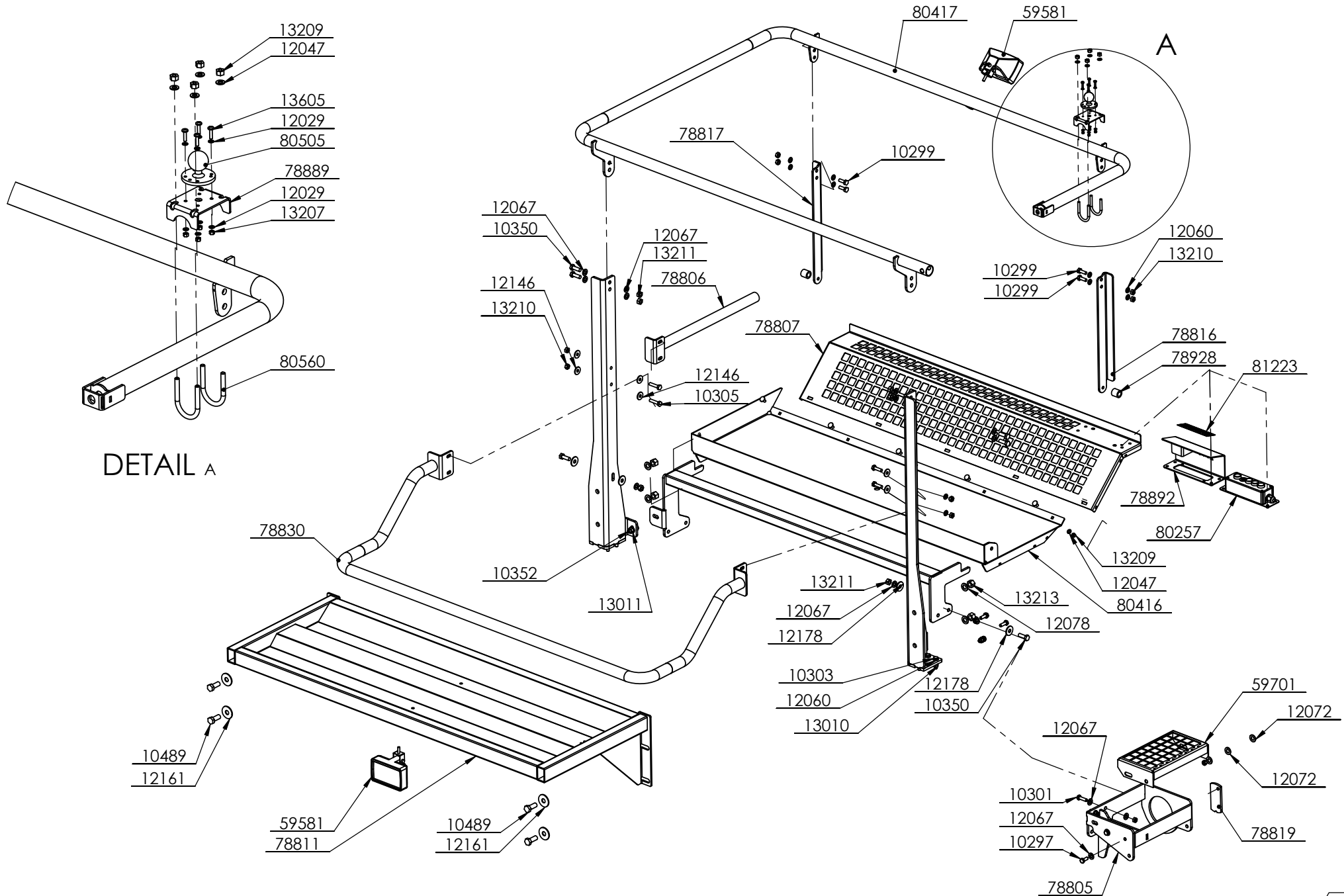
Part number	Qty	Description
11113	28	Bolt M8x20 DIN 603 A4 80
12147	28	Washer 8,4 x 24 x 2 DIN 9021 FZV
13209	28	Lock nut M8
79409	1	Clamp R, Scraper
79425	1	Clamp L, Scraper
79665	1	Scraper @belt tensioner, front chamber
79784	4	Scraper blade
79785	1	Blade holder
79786	1	Blade holder
79787	1	Blade holder



Optional equipment
Sticky materials kit

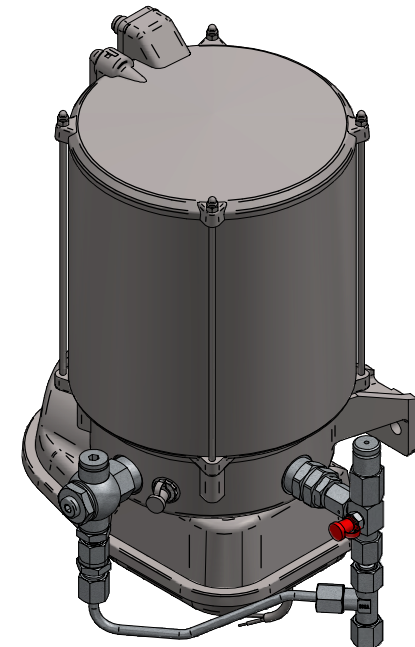
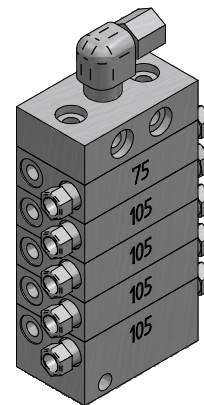
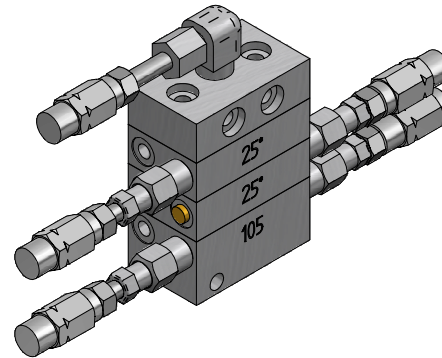
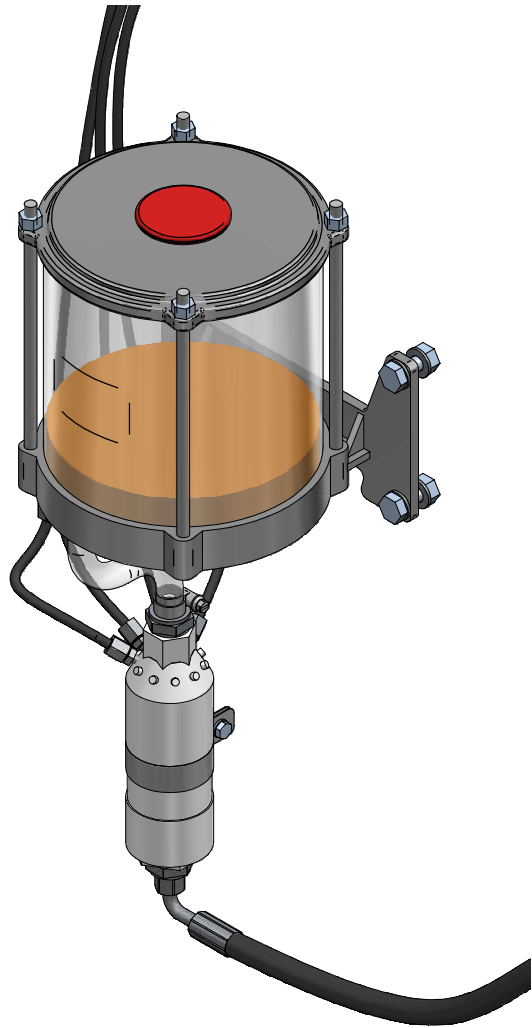


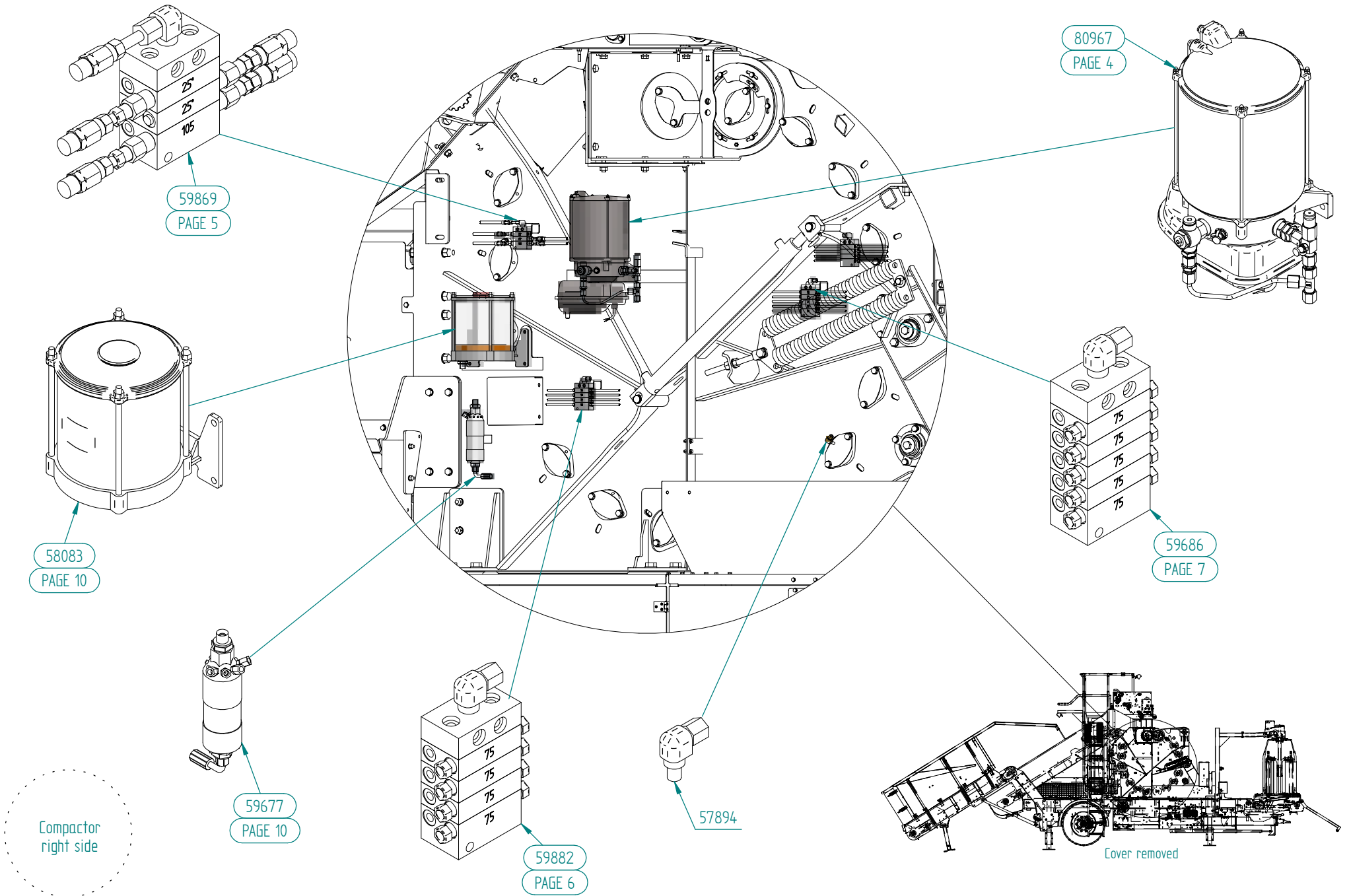
78772

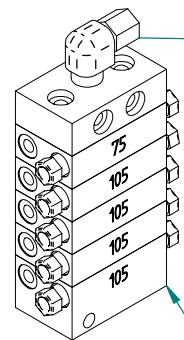


Part number	Qty	Description
10297	3	Screw M10 x 25 DIN 933
10299	4	Bolt M10x30
10299	2	Screw M10 x 30 DIN 933
10301	2	Bolt M10x35, threaded to head
10301	2	Screw M10 x 35 DIN 933
10303	6	Screw M10 x 40 DIN 933
10305	2	Bolt M10x45
10350	6	Bolt M12x35
10352	1	Bolt M12 x 40 DIN 933
10489	4	Bolt M16x40, threaded to head
11113	5	Locking head bolt M8x20
12029	8	Washer M5
12047	9	Washer M8
12060	10	Washer M10
12060	15	Washer M10 DIN 125A
12067	10	Washer M12
12067	10	Washer M12 DIN 125A
12072	4	Washer M14 DIN 125A
12078	4	Washer M16
12146	6	Washer ø30/10,5x2,5
12161	4	Washer ø50/17x3
12178	4	Washer ø37/13x3
13010	13	Nut M10 DIN 934
13011	1	Nut M12 DIN 934
13207	4	Lock nut M5
13209	9	Lock nut M8
13210	8	Lock nut M10
13211	6	Lock nut M12
13213	4	Lock nut M16
13605	4	Pan bolt M5x20
59581	2	Flood light
59701	1	Step
78805	1	Fastener for staircase and platform
78806	1	Middle tube
78807	1	Top cover
78811	1	Underframe, storage
78816	1	Supporting rod, right
78817	1	Supporting rod, left
78819	1	Support for step
78830	1	Rear bow, storage
78889	1	Fastener for RAM bracket

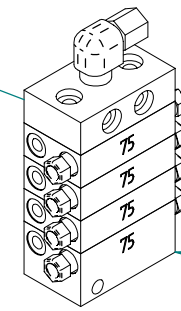
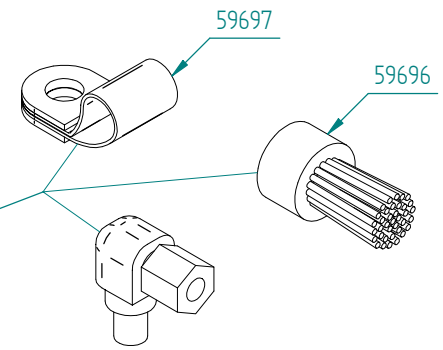
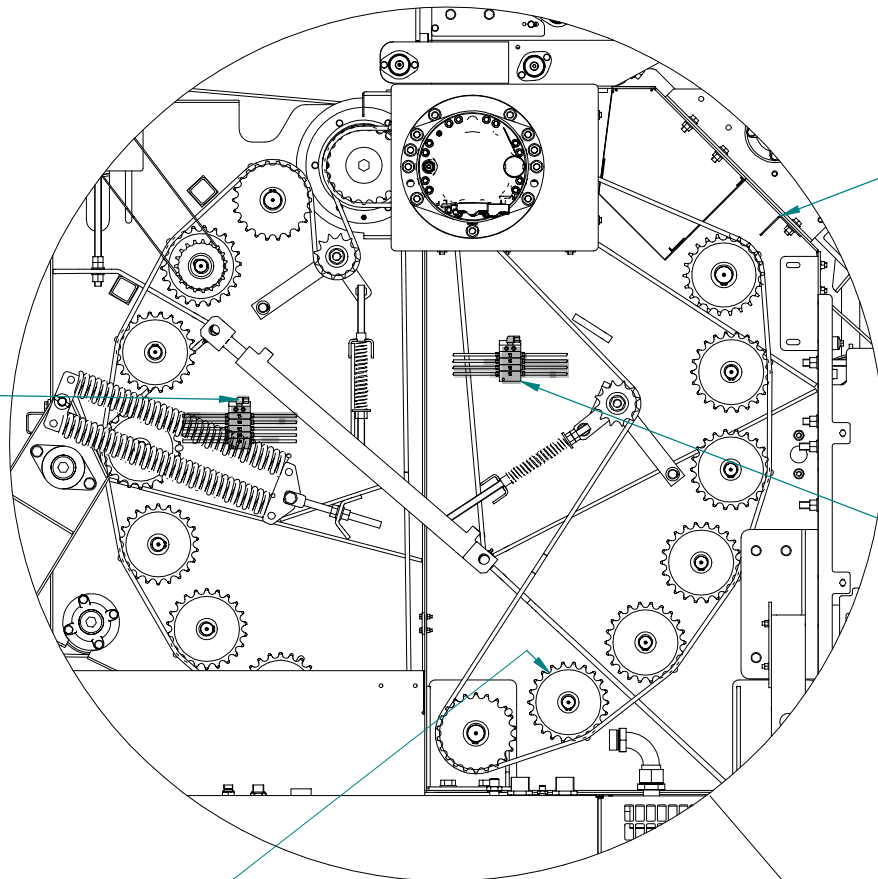
Part number	Qty	Description
78891	1	Bottom plate, remote control, film system
78892	1	Cover, remote control, film system
78928	2	Spacer
80257	1	Switch box for film system
80412	1	Frame for platform
80416	1	Bottom plate
80417	1	Railing tube
80505	1	RAM-fastener, foot
80560	2	U-clamp 42mm
81223	1	Sticker
82087	1	Upper tower with brackett, right, platform
82090	1	Upper tower with brackett, left, platform



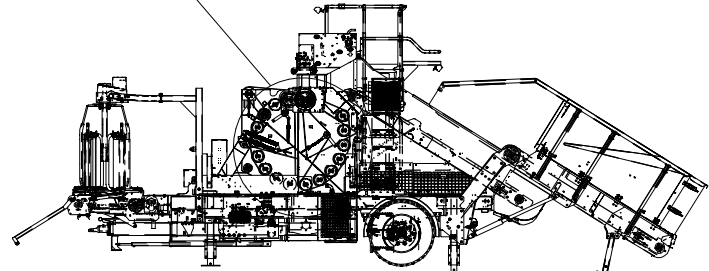
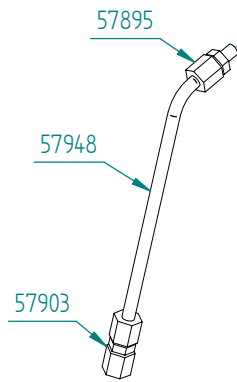




59688
PAGE 8

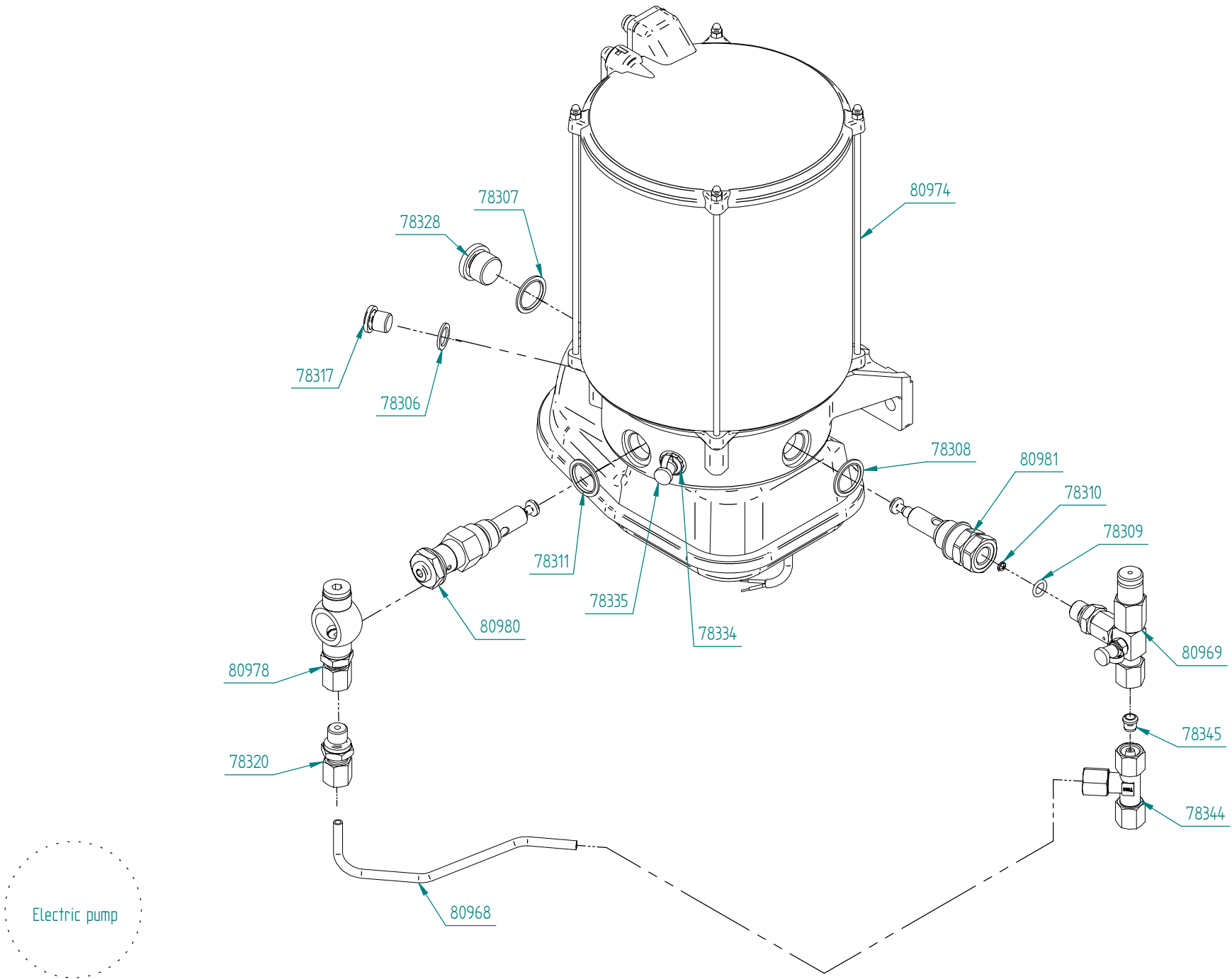


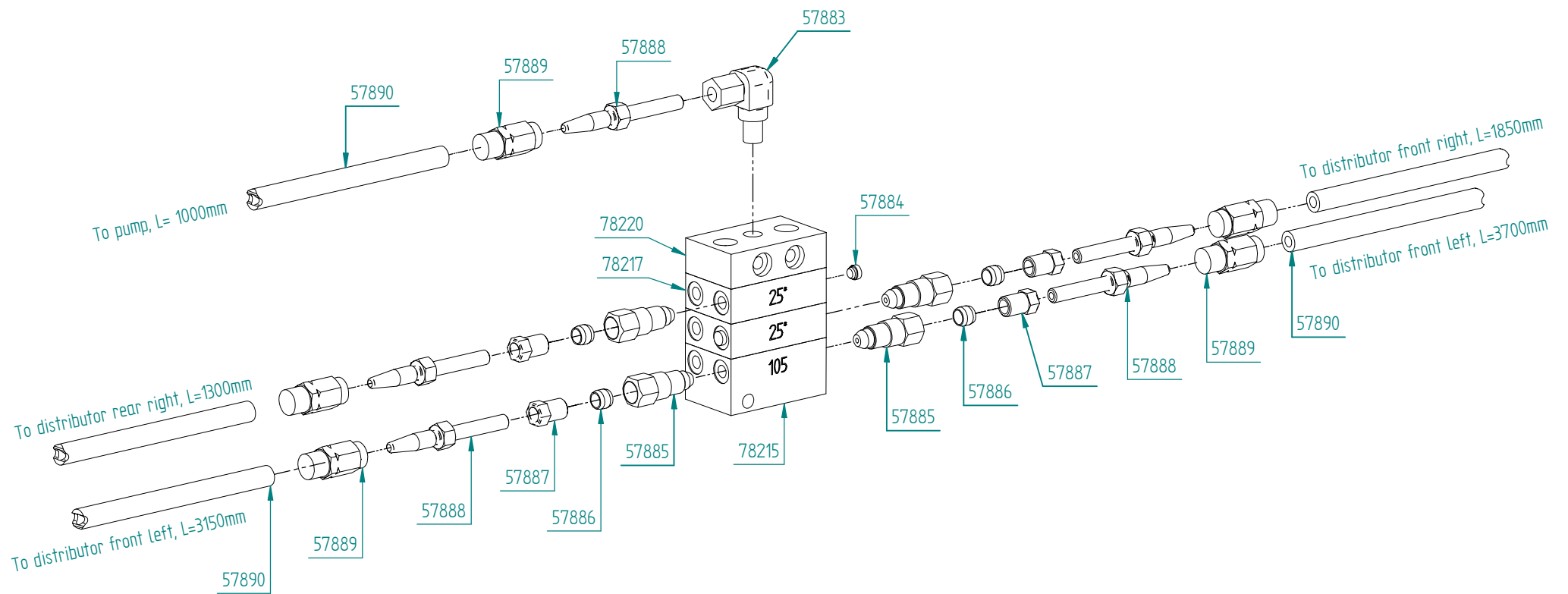
59690
PAGE 9



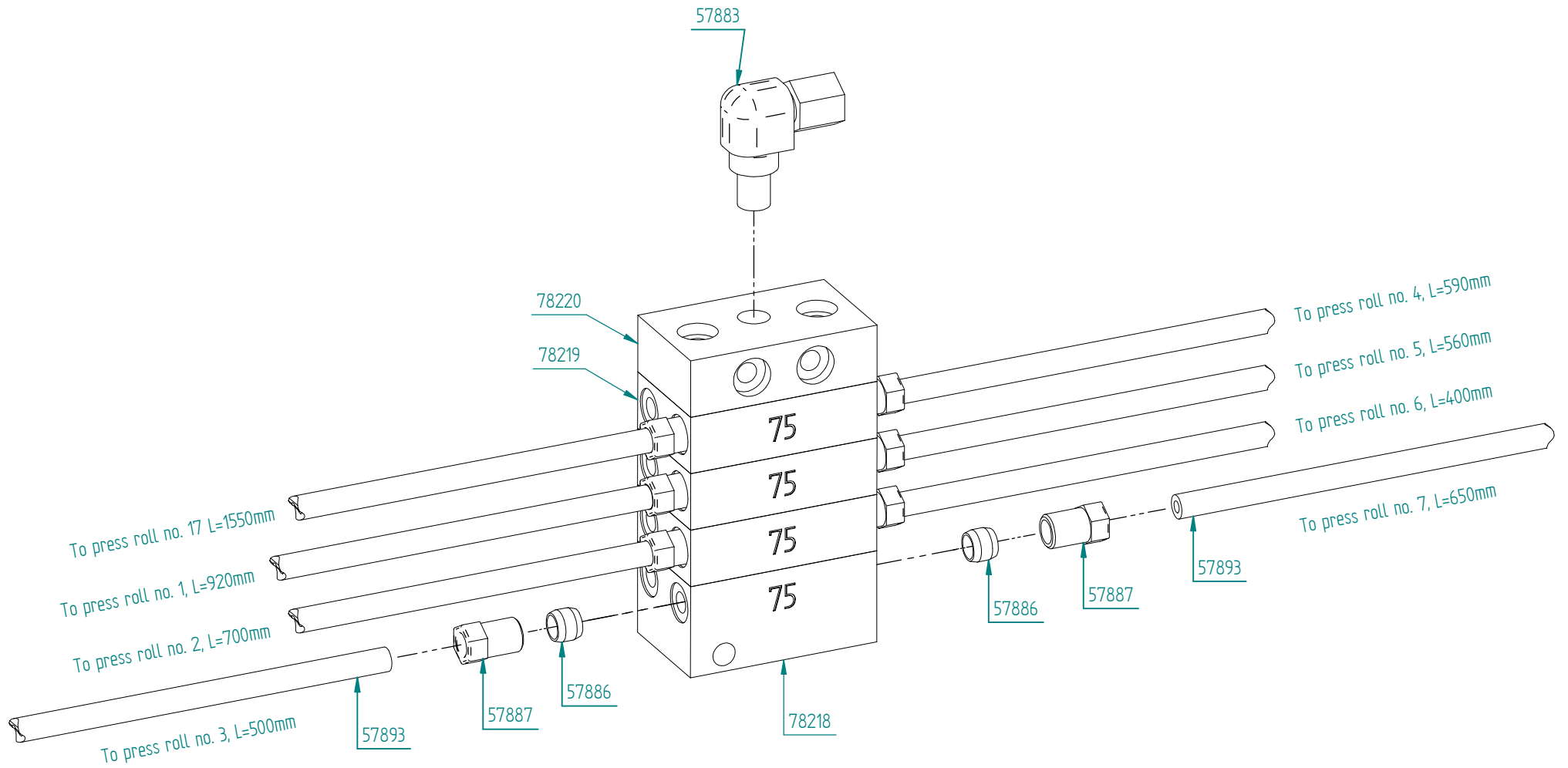
Cover removed

Compactor
left side

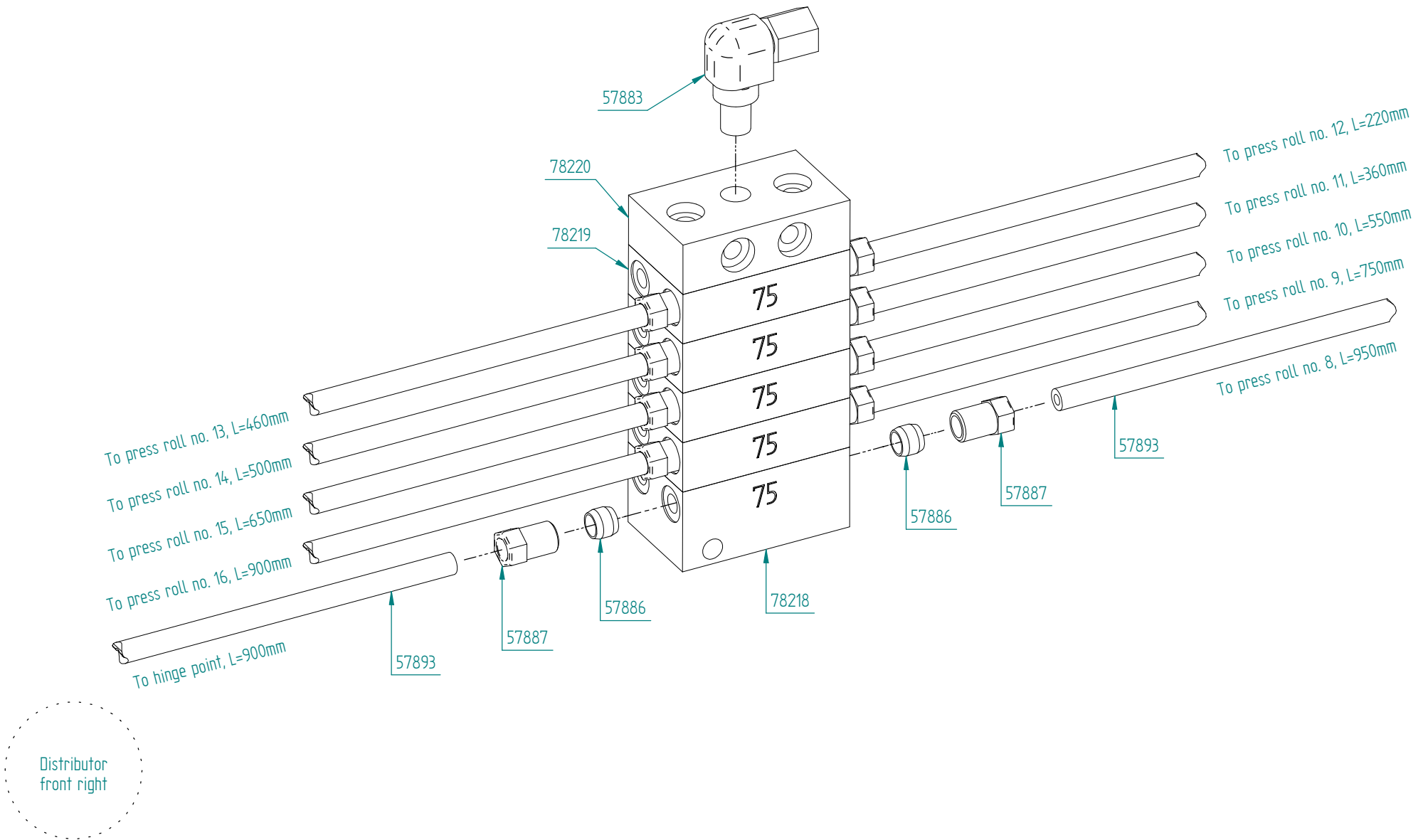




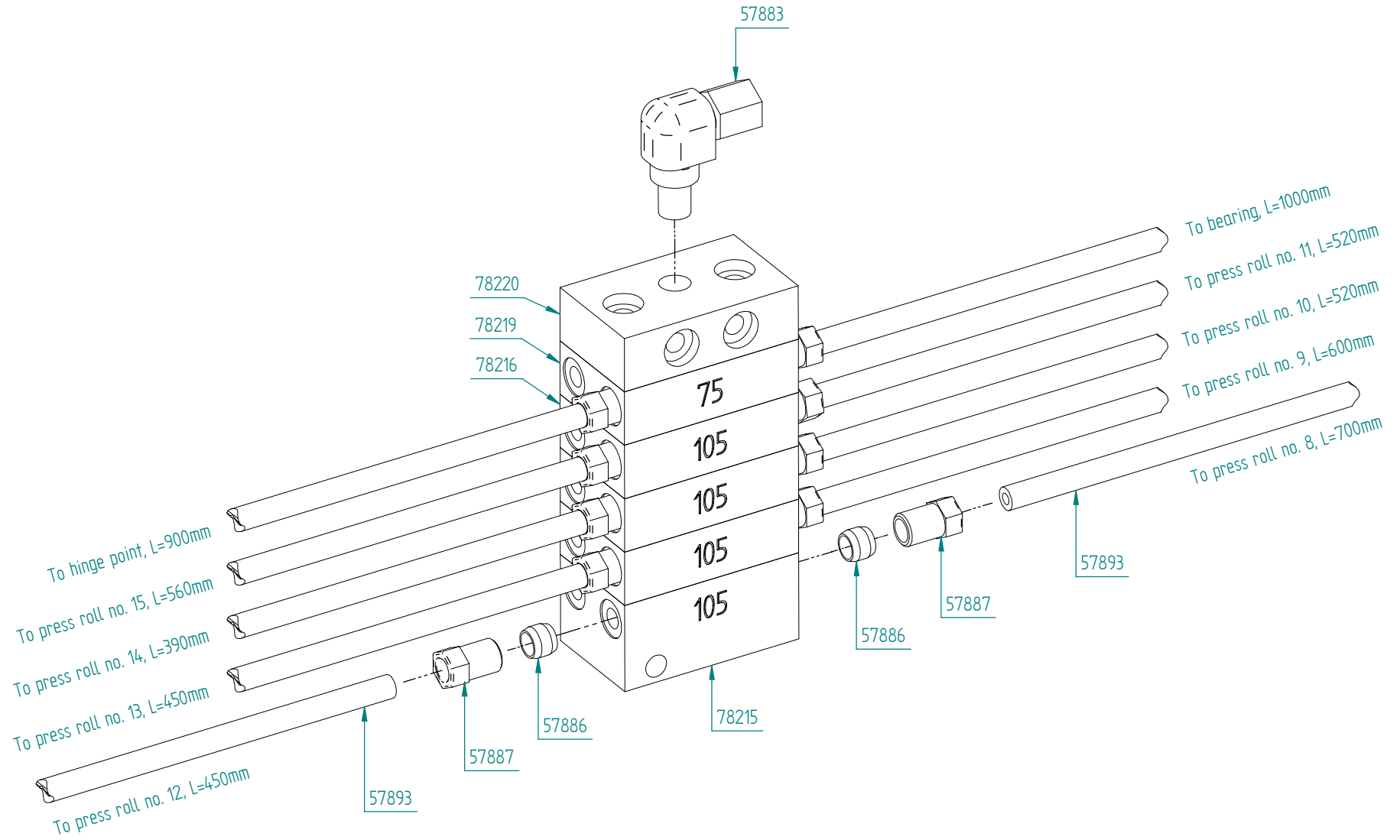
Main distributor

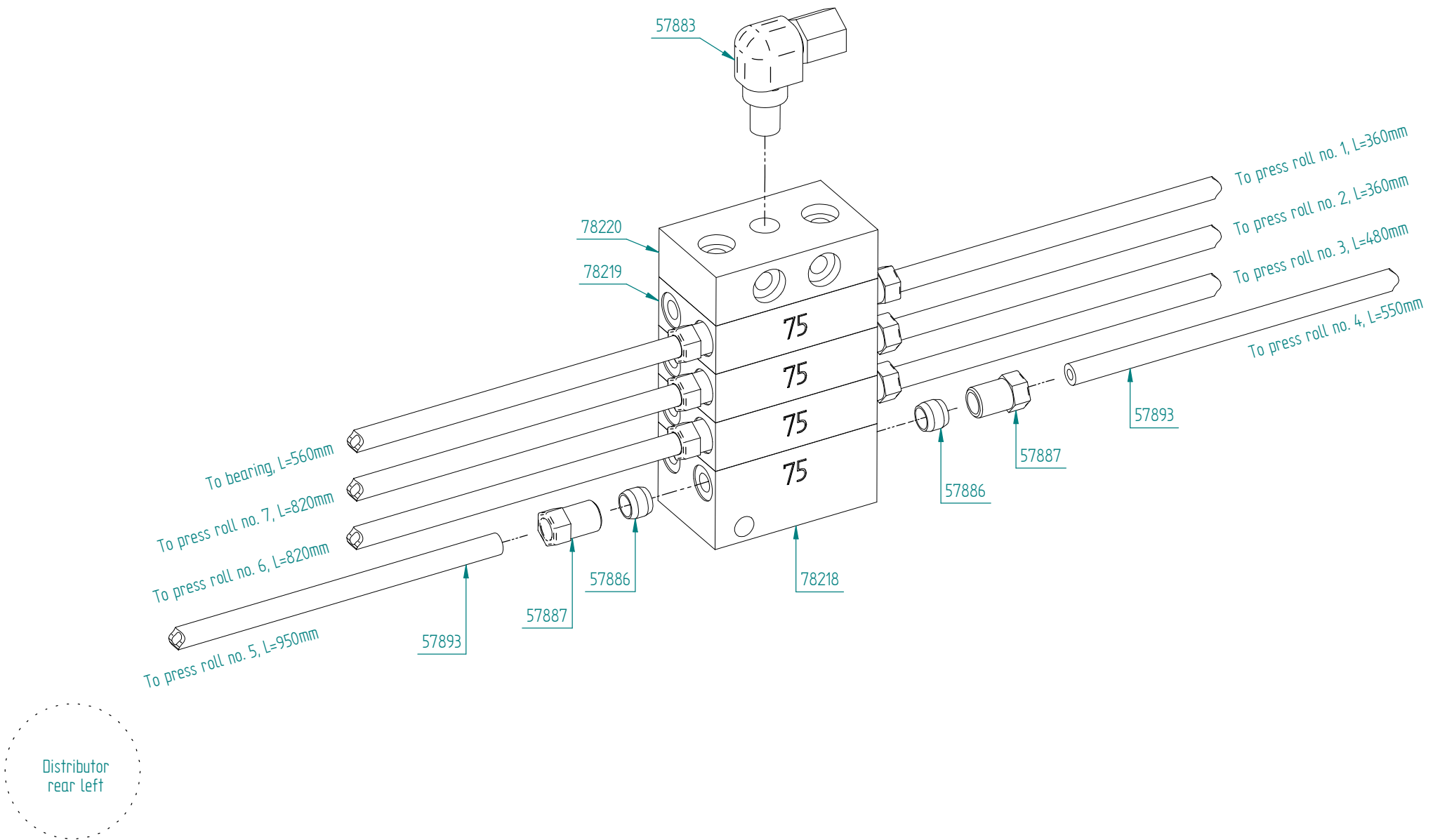


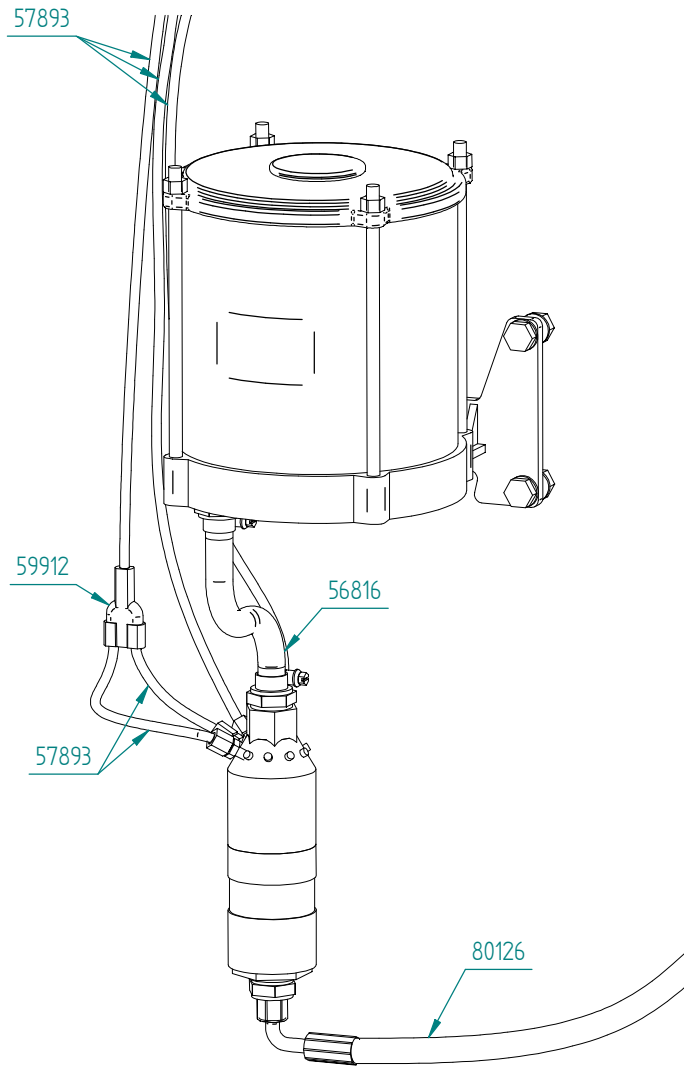
Distributor rear right



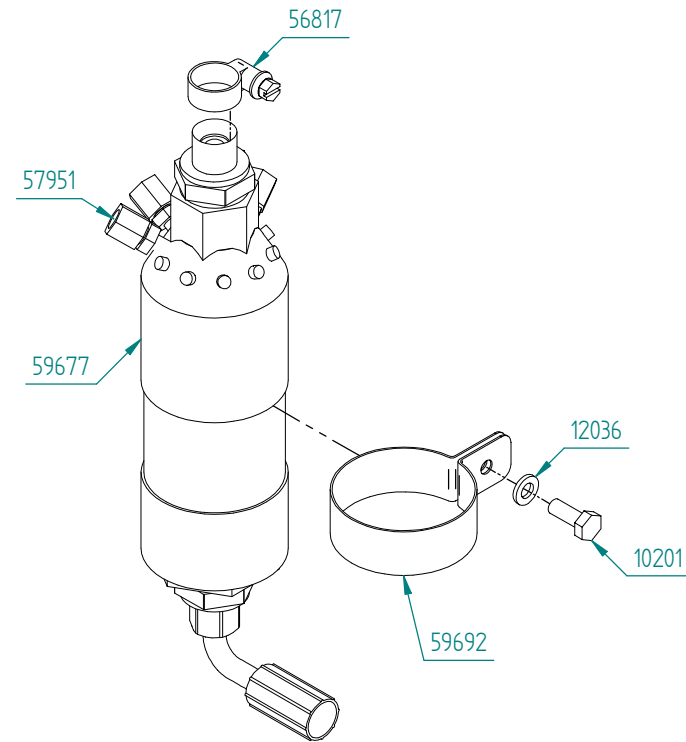
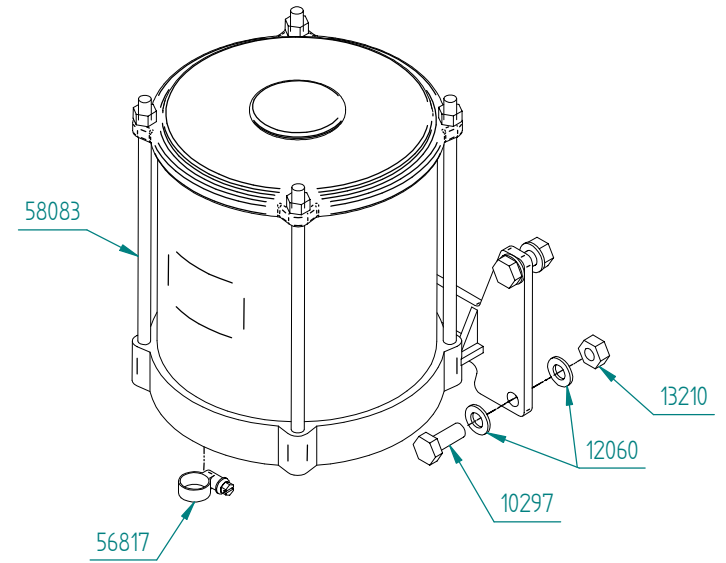
Distributor
front left







Hydraulic oil pump
and oil tank



Part Number	Qty.	Title
10201	1	Bolt M6x16, threaded to head
10297	6	Bolt M10x25
12036	1	Washer M6
12060	12	Washer M10
13210	6	Lock nut M10
56816	1	PVC hose
56817	2	Worm gear clamp
57883	5	Angular coupling 90° WE6 1/8"
57884	2	Sealing plug
57885	4	Non-return valve
57886	40	Double Cone Olive
57887	40	Cap screw US6 M10x1
57888	9	Insert for ferrule
57889	9	Threaded ferrule
57890	m	High Pressure Hose
57893	m	Polyamid Tube
57894	13	Elbow 90° WEG 1/8" K
57895	21	Fitting GE 6LI R1/8" k
57896	1	Spiral protection ø8x4 (Not shown)
57903	16	Fitting
57948	1	Steel tube, ø6x1, galvanized
57951	2	Fitting
58083	1	Oil reservoir
59677	1	Hydraulic pump

Part Number	Qty.	Title
59686	1	Distributor front right
59688	1	Distributor front left
59690	1	Distributor rear left
59692	1	Clamp
59696	3	Grease brush
59697	3	Tube bow ø15
59869	1	Main distributor
59882	1	Distributor rear right
59910	3	Elow builtow M8x1
59912	1	Fitting Y-type
78215	2	Distribution block, MX-F 105, large
78216	3	Distribution block, MX-F 105, small
78217	2	Distribution block, MX-F 25, small
78218	3	Distribution block, MX-F 75, large
78219	11	Distribution block, MX-F 75, small
78220	5	Distribution block, MX-F 105, main
78306	1	EP-1, gasket 1
78307	1	EP-1, gasket 2
78308	1	EP-1, gasket 3
78309	1	EP-1, gasket 4
78310	1	EP-1, gasket 5
78311	1	EP-1, gasket 6
78317	1	EP-1, fitting 1
78320	1	EP-1, fitting 4

Part Number	Qty.	Title
78328	1	EP-1, container, part 4
78334	1	EP-1, grease nipple
78335	1	EP-1, cap for grease nipple
78344	1	EP-1, valve 3, part 1
78345	1	EP-1, valve 3, part 2
80126	1	Hydraulic hose 1/4" 2SN L=580
80967	1	Greasepump EP-1 24V complete
80968	1	EP-1, contact for 80967
80969	1	EP-1, valve
80974	1	Greasepump EP-1 24V
80978	1	Banjo union
80980	1	Pump element PE-120V
80981	1	Pump element PE-170GI



Developing profitable customers

CONTACT



Johan Gjønnes' veg 25
7320 Fannrem
Norway



Spare parts:
+47 913 23 511



parts@orkel.no



orkel.com

User resources



orkel.no/qr/hi-x-evo